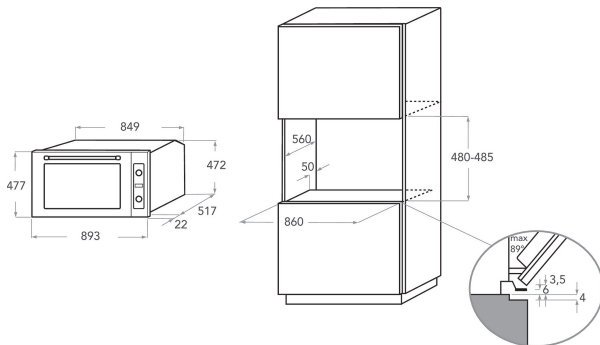


KOFCS 60900

12NC: 851352501100

GTIN (EAN) code 8003437219412

KitchenAid



MAIN FEATURES

Product group	Oven
Commercial code	KOFCS 60900
Main colour of product	Inox
Construction type	Built-in
Type of control	Mechanical and electronic
Type of control settings	-
Are any hobs controls integrated?	No
Which kind of hobs can be controlled?	-
Automatic programmes	No
Current (A)	13
Voltage (V)	220-240
Frequency (Hz)	50/60
Length of Electrical Supply Cord (cm)	0
Plug type	No
Depth with open door 90 degree (mm)	-
Height of the product	477
Width of the product	893
Depth of the product	538
Minimum niche height	0
Minimum niche width	0
Niche depth	0
Net weight (kg)	43.2
Usable volume (of cavity)	89
Integrated Cleaning system	Catalytic partial
Grids of the cavity	2
Trays	1

TECHNICAL FEATURES

Timer	-
Time control	Electronic
Time-setting options	Start and Stop
Safety device	-
Interior light	Yes
Number of interior lights of the cavity	1
Position of interior lights of the cavity	Rear
Oven guides of the cavity	Grids
Probe of the cavity	No

PERFORMANCES

Energy input	Electric
Type of energy of the cavity	Electricity
Energy efficiency class - NEW (2010/30/EU)	A
Energy consumption per cycle conventional - NEW (2010/30/EU)	0.98
Energy consumption per cycle forced air convection - NEW (2010/30/EU)	0.82