

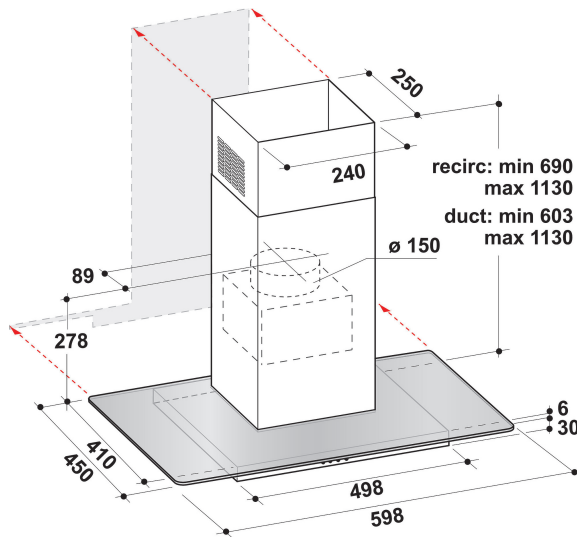
WHFG 64 F LM X

12NC: 859991550010

GTIN (EAN) code: 8003437233500

Whirlpool

SENSING THE DIFFERENCE



- Maximum noise level 71 dBA
- Noise Level (min. - max.): 52-71 dBA
- Air Flow (min. - max.): 314, 630 m³/h
- Maximum extraction rate: 630 (m³/h)
- Energy class B
- 3 speed settings
- Odour Filter
- 2 LED, 5 W lamps
- 1 x 250 W motor
- Mechanical Buttons
- 1 Washable aluminium filter
- Inox and Glass Hood
- Grease Filtering Efficiency Class: C
- Lighting Efficiency Class: A
- Fluid Dynamic Efficiency Class: B
- Operating Mode: Air extraction, Recirculating air
- Inox Finishing

Whirlpool wall mounted cooker hood - WHFG 64 F LM X

This Whirlpool wall mounted Cooker Hood features: dishwasher-safe, washable aluminium grease filters. LED lights for ideal lighting. An outstanding cooker extractor fan, ensuring a fresh, grease-free cooking environment. Less than 60cm wide appliance. New design ensuring extra silent performance.

LED lighting

Increased energy and cost efficiency. The LED lighting system lasts 10 times longer than traditional bulbs and uses 90% less energy.

Carbon Filter Included

Enjoy fresh air in your kitchen, always. This Whirlpool Hood includes a carbon purifying air filter, that effectively protects your kitchen from odours and grease.

Flexible Installation

Flexible installation options. This Whirlpool Hood can be operated in either Ducted or Recirculated mode (filter needed), so you can enjoy complete freedom when designing your kitchen.

3 Speeds

Versatile performance. This Whirlpool Hood offers 3 speed options, giving you complete control over the extraction rate.

Wall-mounted installation

Wall-mounted installation. This wall-mounted Whirlpool Hood is a breeze to install.

Total annual energy consumption

Ideal performance, outstanding savings. Whirlpool Hoods are designed to provide exceptional results, while reducing energy costs.

Mechanical control

Effortless control. This Whirlpool Hood includes an analogue control interface designed for simplicity and ease-of-use.

TIMER

Perfect timing. This Whirlpool Hood includes an intuitive timer, for added convenience.

Glass design

Designed to delight. Modern, sleek and beautiful, this glass hood is designed to be an eye-catching addition to your home.

Energy class B

Energy efficient. This is an Energy Class B appliance.

2 lights

Perfect lighting. This Whirlpool Hood features two integrated lights, providing ideal illumination, so you'll always be able to see what's cooking.

WHFG 64 F LM X

12NC: 859991550010

GTIN (EAN) code: 8003437233500

Whirlpool

SENSING THE DIFFERENCE

MAIN FEATURES

Product group	Hood
Colour body	Inox
Material body	Stainless steel / glass
Colour chimney	Inox
Material chimney	N/A
Typology	Wall-mounted
Installation type	Wall-mounted
Type of control	Mechanical
Type of control settings	-
Decor panel options	N/A
Motor location	Integrated motor in hood chimney
Operating Mode	Convertible
Electrical connection rating (W)	255
Current (A)	1,2
Voltage (V)	220-240
Frequency (Hz)	50/60
Length of Electrical Supply Cord (cm)	150
Plug type	Schuko
Chimney height (mm)	-
Height of product, without chimney (mm)	0
Height of the product	603
Width of the product	598
Depth of the product	410
Minimum niche height	0
Minimum niche width	0
Niche depth	0
Net weight (kg)	15

TECHNICAL FEATURES

Type of manual control devices	Buttons
Type of automatic control devices	-
Number of motors	1
Total power of the motors (W)	250
Number of speed settings: boost option availability	3
Boost presence	No
Maximum output air extraction (m ³ /h)	630
Boost position air extraction (m ³ /h)	0
Maximum output recirculating air (m ³ /h)	0
Boost position output recirculating (m ³ /h)	0
Light Control Type	On/Off
Number of lights	2
Type of lamps used	LED
Total power of the lamps (W)	5
Diameter of air outlet (mm)	150
No-return airflow flap	No
Grease filter material	Washable aluminium
Odour filter	Yes

PERFORMANCES

Sound power at min. speed (2010/30/EU)	52
Sound power at max. speed (2010/30/EU)	71
Noise level with boost position (dB(A) re 1 pW)	0

