

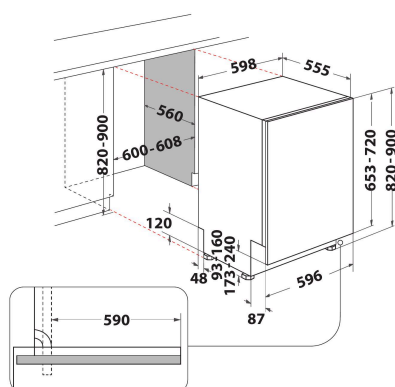
# WIE 2B19 N UK

12NC: 869991607830

GTIN (EAN) code: 8003437611513

**Whirlpool**

SENSING THE DIFFERENCE



## MAIN FEATURES

|                                       |                      |
|---------------------------------------|----------------------|
| Construction type                     | Built-in             |
| Installation type                     | Full-integrated      |
| Type of control                       | Electronic           |
| Type of control settings              | -                    |
| Removable work top                    | No                   |
| Main colour of product                | White                |
| Electrical connection rating (W)      | 1900                 |
| Current (A)                           | 13                   |
| Voltage (V)                           | 230-240              |
| Frequency (Hz)                        | 50                   |
| Length of Electrical Supply Cord (cm) | 130                  |
| Plug type                             | UK                   |
| Length inlet hose (cm)                | 155                  |
| Length outlet hose (cm)               | 150                  |
| Adjustable feet                       | Yes - all from front |
| Height of the product                 | 820                  |
| Width of the product                  | 598                  |
| Depth of the product                  | 555                  |
| Minimum niche height                  | 820                  |
| Maximum niche height                  | 900                  |
| Minimum niche width                   | 600                  |
| Maximum niche width                   | 600                  |
| Niche depth                           | 560                  |
| Net weight (kg)                       | 32.1                 |
| Gross weight (kg)                     | 33.9                 |

## TECHNICAL FEATURES

|   |          |
|---|----------|
| Automatic programmes                            | No       |
| Maximum temperature for water intake (°C)       | 60       |
| Start delay options                             | No delay |
| Start delay time max. (h)                       | 0        |
| Progress indicator                              | -        |
| Digital countdown indicator                     | No       |
| Salt light indicator                            | Yes      |
| Rinse aid light indicator                       | No       |
| Safety device                                   | Yes      |
| Adjustable upper basket                         | Yes      |
| Largest loadable dish upper basket (cm)         | 0        |
| Largest loadable dish lower basket (cm)         | 0        |
| Maximum number of place settings (EU 2017/1369) | 13       |
| Column installation                             | No       |

## PERFORMANCES

|   |      |
|---|------|
| Energy Efficiency Class (Regulation (EU) 2017/1369)                           | F    |
| Energy Consumption for 100 cycles Eco Programme (EU 2017/1369)                | 104  |
| Power consumption in standby mode (Psm) (EU 2017/1369)                        | 0,50 |
| Power consumption in off-mode (Po) (EU 2017/1369)                             | 0,00 |
| The water consumption of the eco programme in liters per cycle (EU 2017/1369) | 12,0 |
| Airborne acoustical noise emissions (EU 2017/1369)                            | 49   |
| Airborne acoustical noise emission class (EU 2017/1369)                       | C    |
| Programme duration in HMM (EU 2017/1369)                                      | 3:20 |