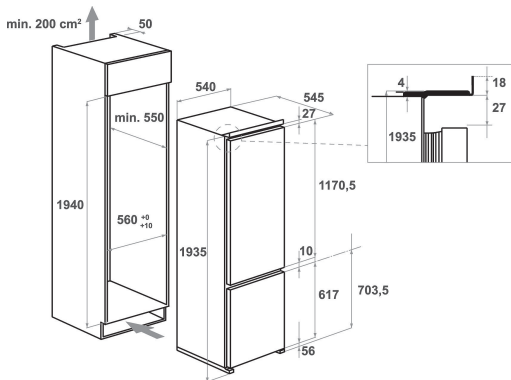


# KCBCS 20600.1 (UK)

12NC: 859991555130

GTIN (EAN) code: 8003437042690

**KitchenAid**



## MAIN FEATURES

| Product group                         | Fridge/freezer combination |
|---------------------------------------|----------------------------|
| Installation type                     | Built-in                   |
| Type of control                       | Electronic                 |
| Construction type                     | built-in                   |
| Main colour of product                | White                      |
| Electrical connection rating (W)      | 160                        |
| Current (A)                           | 13                         |
| Voltage (V)                           | 220-240                    |
| Frequency (Hz)                        | 50                         |
| Number of compressors                 | 1                          |
| Length of Electrical Supply Cord (cm) | 240                        |
| Plug type                             | UK                         |
| Total unit net capacity (l)           | 298                        |
| Star Rating                           | 4                          |
| Height of the product                 | 1935                       |
| Width of the product                  | 540                        |
| Depth of the product                  | 550                        |
| Maximum adjustability feet            | 0                          |
| Net weight (kg)                       | 58                         |

## TECHNICAL FEATURES

|   |            |
|---|------------|
| Defrost process fridge section          | Automatic  |
| Defrost process freezer section         | Frost-free |
| Fast cooling possibility                | Yes        |
| Fast freezing function                  | Yes        |
| Door opened indicator freezer           | Yes        |
| Temperature adjustable                  | Yes        |
| Temperature adjustable freezer          | Yes        |
| Interior ventilator fridge section      | Yes        |
| Number of freezing drawers              | 3          |
| Automatic motor-driven ice-maker        | No         |
| Number of shelves in fridge compartment | 5          |
| Material of the shelves                 | Glass      |
| Thermometer fridge section              | None       |
| Thermometer freezer section             | None       |
| Number of temperature zones             | 1          |

## PERFORMANCES

|  |         |
|--|---------|
| Energy efficiency class - NEW (2010/30/EU)               | A+      |
| Energy consumption annual (kWh/annum) - NEW (2010/30/EU) | 298     |
| Refrigerator Net capacity (l) - NEW (2010/30/EU)         | 235     |
| Freezer Net capacity (l) - NEW (2010/30/EU)              | 63      |
| Freezing capacity (kg/24h) - NEW (2010/30/EU)            | 6       |
| Climate class  | SN-ST   |
| Noise level (dB(A) re 1 pW)                              | 38      |
| Frost free system  | Freezer |