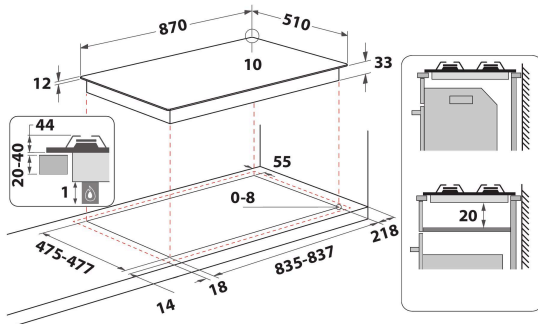


# PHN 961 TS/IX/A

12NC: F100600

GTIN (EAN) code: 8050147006009



## MAIN FEATURES

Product group	Hob
Construction type	Built-in
Type of control	Mechanical
Type of control settings	Knob
Number of gas burners	5
Number of electric cooking zones	0
Number of electric plates	0
Number of radiant plates	0
Number of halogen plates	0
Number of induction plates	0
Number of electric warming zones	0
Location of control panel	Front
Basic surface material	Inox
Main colour of product	Inox
Electrical connection rating (W)	0
Gas connection rating (W)	0
Gas type	N/A
Current (A)	0
Voltage (V)	N/A
Frequency (Hz)	N/A
Length of Electrical Supply Cord (cm)	0
Plug type	No
Gas connection	N/A
Width of the product	870
Height of the product	46
Depth of the product	510
Minimum niche height	0
Minimum niche width	0
Niche depth	0
Net weight (kg)	17.3
Automatic programmes	No

## TECHNICAL FEATURES

Power on indicator	No
Number of indicators	0
Type of regulation	Auxiliary
Type of lid	Without
Residual heat indicator	Without
Main on/off switch	No
Safety device	-
Timer	No

## PERFORMANCES

Energy input	Gas
--------------	-----