

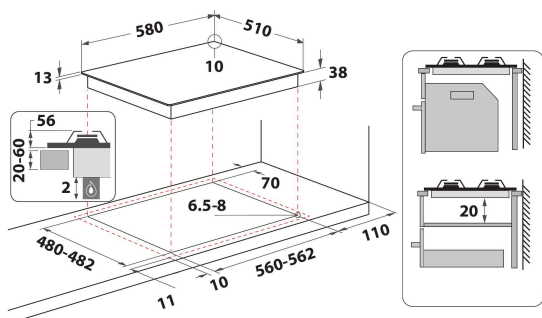
# PPH 60G DF/IX

12NC: F159854

GTIN (EAN) code: 8050147598542

# Hotpoint

ARISTON



## PÕHIOMADUSED

Product group	Hob
Construction type	Built-in
Type of control	Mechanical
Type of control settings	Knob
Number of gas burners	4
Number of electric cooking zones	0
Number of electric plates	0
Number of radiant plates	0
Number of halogen plates	0
Number of induction plates	0
Number of electric warming zones	0
Location of control panel	Front
Basic surface material	Stainless steel
Main colour of product	Inox
Electrical connection rating (W)	0
Gas connection rating (W)	7800
Gas type	Methane
Current (A)	0
Voltage (V)	220-230
Frequency (Hz)	50/60
Length of Electrical Supply Cord (cm)	100
Plug type	No
Gas connection	N/A
Width of the product	590
Height of the product	38
Depth of the product	510
Minimum niche height	0
Minimum niche width	555
Niche depth	475
Net weight (kg)	9.7
Automatic programmes	No

## TEHNILISED OMADUSED

Power on indicator	No
Number of indicators	0
Type of regulation	MINI WOK
Type of lid	Glass
Residual heat indicator	Without
Main on/off switch	No
Safety device	No
Timer	No

## ENERGIAMÄRGIS

Energy input	Gas
--------------	-----