

SAFETY PRECAUTIONS

- Do not install the appliance if it is connected to the power supply.
- The Installation and service/repair must be performed by a qualified technician, in compliance with the producer's instructions and following local safety norms. Do not repair or replace any parts of the appliance unless it is specifically written in the user instructions.
- The grounding of this appliance is compulsory.
- Make sure that the power supply cord is long enough to allow the right connection. Do not use any extension cord for power supply.
- Do not pull the power supply cord to remove it from the socket.
- Do not twist or press the power supply cord, and make sure it is not broken.
- Once installation is completed, the electric components must not be accessible to the users.
- Do not touch the operation buttons when your hands are wet and don't use the appliance when you are barefoot.
- Physically or mentally disabled people, children and people without any experience with the product are only allowed to use the appliance if they have had specific training on how to operate the appliance by a person responsible for their security and well-being. The appliance is not intended for use by disabled people and very young children without supervision.

AIR CONDITIONER PRECAUTIONS


Please strictly follow the below instructions:

- Long and direct exposure to cool air might be harmful to health. It is advisable to set the louvers in order to avoid direct cool air and deflect it within the room.
- Prevent the air flow from reaching the gas burners and stoves.
- Upon malfunctioning first turn the appliance off by pressing the ON/OFF button on the remote control, then disconnect it from the mains.
- This product contains Fluorinated Greenhouse Gases covered by the Kyoto Protocol, the refrigerant gas being in a hermetically sealed system. Refrigerant gas: R410a has a Global Warming Potential (GWP) 1975.


SAFEGUARDING THE ENVIRONMENT

- This appliance has been made of recyclable or re-usable material. Scrapping must be carried out in compliance with local waste disposal regulations. Before scrapping it, make sure to cut off the mains cord so that the appliance cannot be re-used.
- For more detailed information on handling and recycling of this product, contact your local authorities who deal with the separate collection of rubbish or the shop where you bought the appliance.

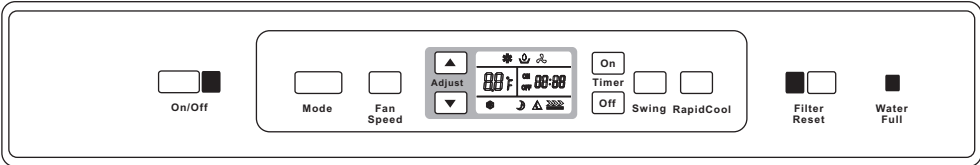
SCRAPPING OF PACKAGING

- The packaging can be 100% recycled as confirmed by the recycling symbol . The various parts of the packaging must not be dispersed in the environment, but must be scrapped in line with local authority regulations.

SCRAPPING OF APPLIANCE

- This appliance is marked according to the European Directive 2002/96/EC, Waste Electrical and Electronic Equipment (WEEE).
- By ensuring that this product is disposed of correctly, you will help to prevent potentially negative consequences for the environment and for human health.
- The symbol  on the product or on the documents accompanying the product indicates that this appliance should not be treated as household waste, but must be given to the appropriate local gathering place where electric and electronic appliances are stored and recycled.

STARTING YOUR PORTABLE AIR CONDITIONER



This section explains proper portable air conditioner operation.

IMPORTANT:

- The air conditioner display shows the current room temperature and 24-hour clock.
- When changing modes while the air conditioner is operating, the compressor will stop for 3 to 5 minutes before restarting. If a button is pressed during this time, the compressor will not restart for another 3 to 5 minutes.
- In Cooling or Dry mode, the compressor and condenser fan will stop when the room temperature reaches the set temperature.

NOTE: In the event of a power failure, your air conditioner will operate at the previous settings when the power is restored.

1. Select the mode. See "Mode."
2. Select the fan speed. See "Fan Speed."
3. Set the temperature. See "Temperature."
4. Press ON/OFF button to start the air conditioner.



NOTE: When the air conditioner is turned on for the first time after it is plugged in, it will run in the 6th Sense Mode control.

When the air conditioner is turned on at all other times, it will run according to the previous settings. 6th Sense Mode can be selected with the remote control only.

5. When WATER FULL indicator light glows red, air conditioner will turn off automatically. See "Portable Air Conditioner Care" for directions on draining the air conditioner.



OPERATING MODE DESCRIPTION

Operating modes:

1. Press and release MODE until you see the symbol glow for the desired setting



Mode

2. Choose Cooling, Dry or Fan Only.

- Cooling-Cools the room. Press FAN SPEED to select Auto, High, Mid or Low. Press the up or down Adjust button to adjust the temperature.



- Dry-Dries the room. The air conditioner automatically selects the temperature. The fan runs on Low speed only.

NOTE: Dry mode should not be used to cool the room.



- Fan Only-Only the fan runs. Press FAN SPEED to select High, Mid or Low.



NOTE: Auto fan speed cannot be selected in Fan Only mode.

Fan Speed

1. Press and release FAN SPEED to choose the desired fan speed.



Fan Speed

2. Choose Auto, High, Mid or Low.

- Auto-automatically controls the fan speed depending on the current room temperature and temperature control setting.

NOTE: Auto fan speed cannot be selected in Fan Only mode.



- High-for maximum cooling



- Mid-for normal cooling



- Low-for minimum cooling



Filter Reset

1. When the Filter Reset indicator light is lit, remove, clean and replace the air filter. See "Cleaning the Air Filter."
2. Press and release FILTER RESET after replacing the air filter.



Filter Reset

NOTE: After 360 hours of fan operating time, the Filter indicator light will turn on. It will remain on for 180 hours or until you press FILTER RESET. After 180 hours, it will turn off automatically.

Temperature

- Press the up Adjust button to raise the temperature. Press the up Adjust button once to increase the set temperature by 1°C or press twice to increase the set temperature by 2°C.



- Press the down Adjust button to lower the temperature. Press the down Adjust button once to decrease the set temperature by 1°C, or press twice to decrease the set temperature by 2°C.



NOTES:

- In the Cooling mode, the temperature can be set between 18°C and 32°C.
- In Fan Only mode, the temperature cannot be set.
- To change the temperature display between °C and °F, press both the up and down Adjust buttons at the same time.



Adjust



Clock function

You can adjust real time clock by pressing Timer On and Timer Off buttons at same time on control panel or Clock button on the remote. Press up or down Adjusting button to get the correct time. Press Timer On and Timer Off at the same time again, and then the real time is set.

Timer On/Off

Set the real time to turn on the conditioner.

1. Press Timer On, Timer "On 12:00" indicator will flash.



Timer

2. Press the up or down Adjust button to get your desired time to turn on the appliance.
 - Press the up or down Adjust button once to increase or decrease the time setting by 1 minute.
 - Press and hold the up or down Adjust button for one and a half seconds to increase or decrease the time setting by 10 minutes.
 - Press and hold the up or down Adjust button for a longer time to increase or decrease the time setting by 1 hour.
3. When your desired time displayed on LCD, press the TIMER ON button and confirm it, then Timer "ON" indicator stops flashing and your desired time remains on.
4. After your desired time displayed for 5 seconds, the clock will be displayed on the LCD.

NOTE: If you don't set the time in 10 seconds after you press TIMER ON button, the controller will exit the TIMER ON mode automatically.

How to cancel Timer On

Press Timer On again, the indicator disappears and the Timer On is canceled.

NOTE: It is similar to set Timer Off, you can make the appliance unit switch off automatically at your desired time.

Rapid Cool mode

Used for fast cooling. The air conditioner automatically sets the fan speed to High and the temperature to 18°C.

NOTE: 6th Sense mode button does not operate when Rapid Cool function is selected.

1. Press Rapid Cool. The air conditioner automatically sets the fan speed to High and the temperature to 18°C.



RapidCool

2. To exit Rapid Cool mode press any button except Timer On/Off and Swing button.

STORAGE AND TIPS FOR USING THE RC

How to insert the batteries

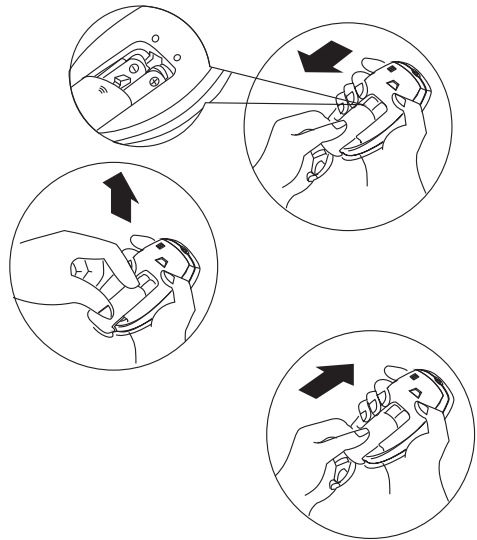
Remove the battery cover in the direction of the arrow.

Insert new batteries making sure that the (+) and (-) of battery are matched correctly.

Refit the cover by sliding it back into position.

Note:

- Use 2 LR03 AAA (1.5volt) batteries. Do not use rechargeable batteries.
Replace batteries with new ones of the same type when the display becomes dim.
- If the replacement is done within 1 minute, the remote control will keep original presetting. However, if you replace batteries taking more than 3 minutes, all presetting will be cancelled and timer will display Zero.



How to remove the batteries

Remove the battery cover in the direction of the arrow.

Press the positive pole of the battery softly with your fingers, then draw the batteries out of the compartment.

All this should be done by adults, children are forbidden to remove the batteries from the remote control in order to avoid danger of swallow.

Disposal of the batteries

Please discard the batteries as sorted municipal waste at the accessible collection point.

USING THE REMOTE CONTROL

NOTE: Remote control may vary in appearance.

NOTES:

- Two AAA batteries (included) power the remote control. Replace batteries after 6 months of use, or when the remote control starts to lose power.
- To operate the air conditioner with the remote control, aim the remote control at the signal receptor from no more than 23 ft (7 m) away.

Power On or Off

Press POWER.



Selecting mode

1. Press and release MODE until you see the symbol glow for the desired setting.



2. Choose Cooling, Dry or Fan Only.
- Cooling-Cools the room. Press Fan to select Auto, High, Mid or Low. Press the up or down Adjust button to adjust the temperature.



- Dry-Dries the room. The air conditioner automatically selects the temperature. Fan runs on Low speed only.

NOTE: Dry mode should not be used to cool the room.



- Fan Only-Only the fan runs. Press FAN to select High, Mid or Low.



NOTE: Auto fan speed cannot be selected in Fan Only mode.



FUNCTION DESCRIPTIONS

6th Sense mode

The air conditioner automatically selects Cooling or Dry mode, depending on room temperature and sets the target temperature.



Operation mode and temperature are determined by indoor temperature.

Cooling only models

Indoor temperature	Operation mode	Target temperature
26°C or below	DRY	Room temperature decrease 1.5°C after operating for 3 minutes
Over 26°C	COOLING	26°C

NOTE: Temperature, airflow and direction are controlled automatically in 6th Sense mode. However, a decrease or rise of up to 2°C can be set with the remote control if you still feel uncomfortable.

1. Press 6th Sense button.



2. In Fan Only mode, press Fan to select High, Mid or Low.

Rapid Cool

Used for fast cooling. The air conditioner automatically sets the fan speed to High and the temperature to 18°C.

NOTE: 6th Sense mode button does not operate when Rapid Cool function is selected.

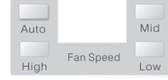
1. Press Rapid Cool. The air conditioner automatically sets the fan speed to High and the temperature to 18°C.



2. To exit Rapid Cool mode, press any button except Timer On/Off and Swing button.

Fan Speed

1. Choose desired fan speed.



- Auto-automatically controls fan speed depending on current room temperature and temperature control setting.

NOTE: Auto fan speed cannot be selected in Fan Only mode.



- High - for maximum cooling



- Mid - for normal cooling



- Low - for minimum cooling



Temperature

- Press the plus button to raise the temperature. Press the plus button once to increase the set temperature by 1°C, or press twice to increase the set temperature by 2°C.



- Press the minus button to lower the temperature. Press the minus button to decrease the set temperature by 1°C, or press twice to decrease the set temperature by 2°C.



NOTES:

- In the Cooling mode, the temperature can be set between 18°C and 32°C.
- In Fan Only mode, the temperature cannot be set.

Sleep mode

Press Sleep button on remote control, the appliance operates in sleep mode and the fan speed is automatically set to low speed.



Sleep

NOTES:

- In Cooling mode if the current room temperature is 26°C or higher the set temperature will not change when Sleep mode is activated, otherwise, the temperature will automatically increase 1°C during the first hour.
- The set temperature will not increase during the last 7 hours in Sleep mode.

1. Press MODE to select Cooling or Dry.

NOTE: Sleep mode cannot be selected when Fan Only is selected.

2. Press Fan button .

3. Press the  or  button to set the temperature.

4. Press SLEEP. After 5 seconds, the lights on the control panel display will dim.



NOTES:

- The temperature and airflow direction can be adjusted during Sleep Mode.
- To turn off Sleep mode, press MODE, ON/OFF, 6th SENSE, JET or SLEEP again or wait 8 hours for the air conditioner to turn off automatically.

Changing Air Direction

On Remote Control or Control Panel
Press SWING once to change vertical airflow direction. Press again to stop airflow louver at desired airflow direction.



Swing

Normal Sounds

When your air conditioner is operating normally, you may hear sounds such as:

- Air movement from the fan.
- Clicks from the thermostat cycle.
- Vibrations or noise due to poor wall or window construction.
- A high-pitched hum or pulsating noise caused by the modern high-efficiency compressor cycling on and off.

MAINTENANCE

Draining the Air Conditioner

(in accordance with the indication of Water Full under "Starting your portable air conditioner".)

1. Press ON/OFF to turn off the air conditioner.
2. Unplug air conditioner or disconnect power.
3. Move the appliance gently and stably to a draining location or outside to drain water. Do not move the unit before water is drained out completely.
4. Remove the secondary drain plug and drain water completely.
5. Remove the primary drain hose from the drain hose clip. Remove the drain hose plug from the end of the primary drain hose and drain water completely.

NOTE: If air conditioner will be stored after use, see "Storing After Use."

6. Reinstall the drain hose plug and the secondary drain plug.
7. Reattach the primary drain hose to the drain hose clip.
8. Reposition the air conditioner.
9. Plug in air conditioner or reconnect power.
10. Press ON/OFF to start the air conditioner.

Cleaning the Air Filter

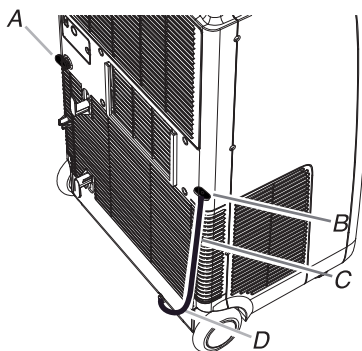
1. Press ON/OFF to turn off the air conditioner.
2. Open the filter panel door on the back of the air conditioner and remove it.
3. Remove the air filter from the filter panel door.
4. Use a vacuum cleaner to clean the filter. If filter is very dirty, wash filter in warm water with a mild detergent.

NOTE: Do not wash filter in the dishwasher or use any chemical cleaners.

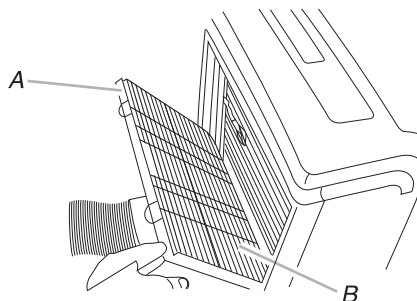
5. Air dry filter completely before replacing to ensure maximum efficiency.
6. Reattach the air filter to the filter panel door.
7. Reinstall filter panel door.
8. Press ON/OFF to start the air conditioner.

Cleaning the Outside

1. Unplug air conditioner or disconnect from power.
2. Remove the air filter and clean separately. See "Cleaning the Air Filter."
3. Wipe outside of the air conditioner with a soft, damp cloth.
4. Plug in air conditioner or reconnect power.
5. Press ON/OFF to start the air conditioner.



- A. Secondary drain plug
- B. Drain hose plug
- C. Drain hose clip
- D. Primary drain hose



- A. Filter panel door
- B. Air filter

Storing After Use

1. Drain the water (see the "Draining the Air Conditioner".)
2. Run the air conditioner set to Fan Only for approximately 12 hours to dry the air conditioner.
3. Unplug air conditioner.
4. Remove flexible exhaust hose and store with air conditioner in a clean, dry area. See "Installation Instructions."
5. Remove window kit and store with air conditioner in a clean, dry area. See "Installation Instructions."
6. Remove the filter and clean. See "Cleaning the Air Filter."
7. Clean the outside of air conditioner. See "Cleaning the Outside."
8. Reinstall filter.
9. Remove the batteries and store the remote control with air conditioner in a clean, dry area.

TROUBLESHOOTING

Before calling for service, try the suggestions below to see whether you can solve your problem without outside help.:

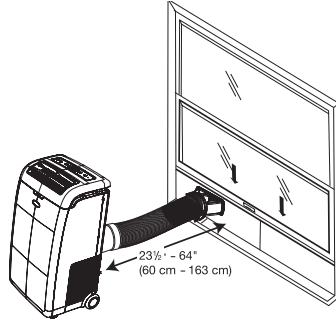
Trouble	Analysis
Air conditioner does not operate	<ul style="list-style-type: none"> • The power supply cord is unplugged. Plug into a grounded outlet. See "Electrical Requirements." • A household fuse has blown, or a circuit breaker has tripped. Replace the fuse, or reset the circuit breaker. See "Electrical Requirements." • The On/Off button has not been pressed. Press ON/OFF. • The local power has failed. Wait for power to be restored. • Time-delay fuse or circuit breaker of the wrong capacity is being used. Replace with a time-delay fuse or circuit breaker of the correct capacity. See "Electrical Requirements."
Air conditioner blows fuses or trips circuit breakers	<ul style="list-style-type: none"> • Too many appliances are being used on the same circuit. Unplug or relocate appliances that share the same circuit. • You are trying to restart the air conditioner too soon after turning off air conditioner. Wait at least 3 minutes after turning off air conditioner before trying to restart it. • You have changed modes. Wait at least 3 minutes after turning off air conditioner before trying to restart the appliance.
Air conditioner seems to run too much	<ul style="list-style-type: none"> • Is there a door or window open? Keep doors and windows closed. • In cooling mode: the air conditioner is in a heavily occupied room, or heat producing appliances are in use in the room. Use exhaust vent fans while cooking or bathing and try not to use heat producing appliances during the hottest part of the day. Portable air conditioners are designed as supplemental cooling to local areas within a room. A higher capacity air conditioner may be required, depending on the size of the room being cooled.
Air conditioner runs for a short time only, but room is not cool	<ul style="list-style-type: none"> • Set temperature is close to room temperature. Lower set temperature. See "Operating mode description".
Air conditioner runs, but does not cool	<ul style="list-style-type: none"> • The filter is dirty or obstructed by debris. Clean the filter. • Air outlet is blocked. Clear air outlet. • The setting temperature is not compatible. In cooling mode: set temperature is too high. Lower set temperature.
Air conditioner cycles on and off too much	<ul style="list-style-type: none"> • The air conditioner is not properly sized for your room. Check the cooling/heating capabilities of your portable air conditioner. Portable air conditioners are designed as supplemental cooling/heating to local areas within a room. • The filter is dirty or obstructed by debris. Clean the filter. • In cooling mode there is excessive heat or moisture (open container cooking, showers, etc.) in the room. Use a fan to exhaust heat or moisture from the room. Try not to use heat-producing appliances during the hottest part of the day. • The louvers are blocked. Install the air conditioner in a location where the louvers are free from curtains, blinds, furniture, etc. • The outside temperature is below 18°C. Do not try to operate your air conditioner in the cooling mode when the outside temperature is below 18°C.

INSTALLATION REQUIREMENTS

Location Requirements

NOTES:

- The flexible exhaust hose allows placement of the air conditioner between 23 1/2 " and 64" (60 cm and 163 cm) from window or door.
- Portable air conditioners are designed as supplemental cooling to local areas within a room.
- To ensure proper ventilation, keep the required distance from the return air outlet to the wall or other obstacles at least 23 1/2 " (60 cm).
- Do not block air outlet.
- Provide easy access to grounded outlet.



Electrical Requirements

- The portable air conditioner should be connected to a 220-240V / 50Hz, 20-amp fused grounded outlet.
- The use of a time-delay fuse or time-delay circuit breaker is recommended.
- All wiring must comply with local and national electrical regulations and be installed by a qualified electrician. If you have any questions, contact a qualified electrician.

Use your power supply cord:

Plug power supply cord into a grounded outlet.

NOTES:

- A damaged power supply cord must be replaced with a new power supply cord obtained from the product manufacturer and must not be repaired.

INSTALLATION INSTRUCTIONS

Unpack the Air Conditioner

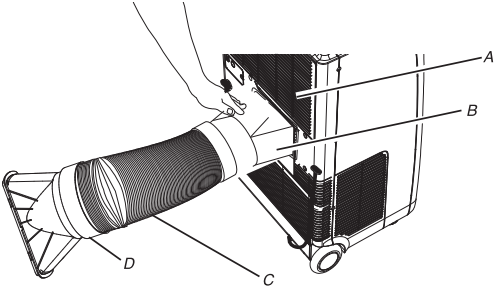
Remove packaging materials

- Remove and dispose of/recycle packaging materials. Remove tape and glue residue from surfaces before turning on the air conditioner. Rub a small amount of liquid dish soap over the adhesive with your fingers. Wipe with warm water and dry.
- Do not use sharp instruments, rubbing alcohol, flammable fluids, or abrasive cleaners to remove tape or glue. These products can damage the surface of your air conditioner.

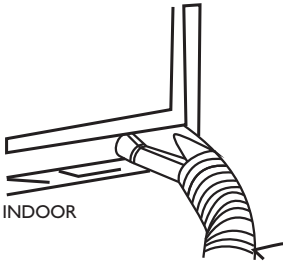
Install Portable Air Conditioner

Install Exhaust Hose and Adapter

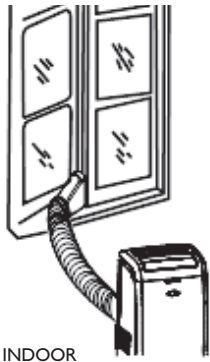
1. Roll air conditioner to selected location. See "Location Requirements."
2. Insert hose adapter into slot on the back of air conditioner.
3. Slide down to lock hose into place.
4. open the window, place the window exhaust nozzle to the window down to lock hose into place.



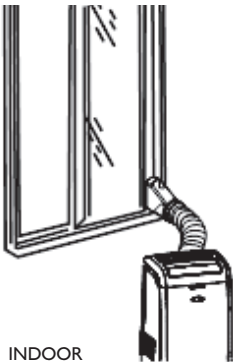
- A. Evaporator air intake
- B. Hose adapter
- C. Flexible exhaust hose
- D. Window exhaust adapter



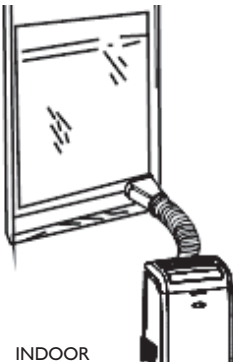
5. Extend the Exhaust hose and close the window as much as possible to trap the exhaust nozzle as below shown.



Open Type window



Vertical Slide Window



Horizontal Slide Window

AFTER SALES SERVICE

Before contacting the Customer Care Centre:

1. Try to solve the problem yourself based on the descriptions given in the "Troubleshooting".
2. Turn the appliance off and restart it to see if the fault persists.

If after carrying out the above checks, the fault persists, contact the Customer Care Centre.

Please give:

- a short description of the fault;
- the exact model of the air conditioner;
- the service number (this is the number found after the word Service on the rating plate), located on the back of the appliance. The service number can also be found in the warranty booklet;
- your full address;
- your telephone number.

If repair work has to be carried out, contact the **Customer Care Centre** (Use of original spare parts and a proper repair is guaranteed).

You will need to present the original invoice.

Failure to comply with these instructions could compromise the safety and quality of your product.

SERVICE 0000 000 00000

