

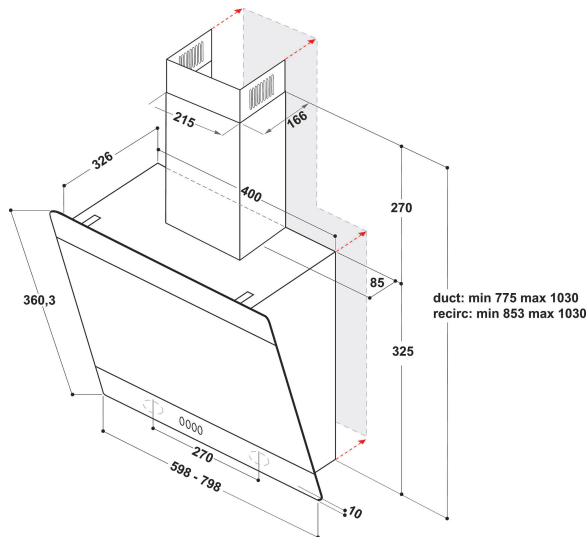
AKR 038 G BL

12NC: 857803801000

GTIN (EAN) code: 8003437219375

Whirlpool

SENSING THE DIFFERENCE



- Maximum noise level 68 dBA
- Noise Level (min. - max.): 62-68 dBA
- Air Flow (min. - max.): 464, 625, booster 713 m³/h
- Maximum extraction rate: 625 (m³/h)
- Energy class B
- Extraction / Recirculation Rate
%Z_REQ_MAX_OUT_EXTRACTION% / 438 m³/h
- Speeds: 3 + Booster
- Controls on top
- Odour Filter
- 2 LED, 2 W lamps
- 1 x 270 W motor
- Perimetral aspiration
- Electronic Touch control
- 1 Washable aluminium filter
- Grease Filtering Efficiency Class: E
- Lighting Efficiency Class: A

Whirlpool freestanding cooker hood - AKR 038 G BL

This Whirlpool freestanding Cooker Hood features: black color. Dishwasher-safe, washable aluminium grease filters. LED lights for ideal lighting. An outstanding cooker extractor fan, ensuring a fresh, grease-free cooking environment. Less than 60cm wide appliance.

LED lighting

Increased energy and cost efficiency. The LED lighting system lasts 10 times longer than traditional bulbs and uses 90% less energy.

Electronic control

Effortless control. This Whirlpool Hood includes an intuitive electronic user interface, designed to provide you with the simplest, most satisfying user experience ever.

High efficiency motor

Efficiency first. The motor in this Whirlpool Hood is designed to provide ideal filtration, while ensuring high energy efficiency.

3 Speeds

Versatile performance. This Whirlpool Hood offers 3 speed options, giving you complete control over the extraction rate.

Glass design

Designed to delight. Modern, sleek and beautiful, this glass hood is designed to be an eye-catching addition to your home.

Total annual energy consumption

Ideal performance, outstanding savings. Whirlpool Hoods are designed to provide exceptional results, while reducing energy costs.

Carbon Filter Included

Enjoy fresh air in your kitchen, always. This Whirlpool Hood includes a carbon purifying air filter, that effectively protects your kitchen from odours and grease.

Flexible Installation

Flexible installation options. This Whirlpool Hood can be operated in either Ducted or Recirculated mode (filter needed), so you can enjoy complete freedom when designing your kitchen.

TIMER

Perfect timing. This Whirlpool Hood includes an intuitive timer, for added convenience.

Booster

Odour-free cooking. This Whirlpool Hood features an extraction booster, that ensures ideal air filtration and odour and grease aspiration.

AKR 038 G BL

12NC: 857803801000

GTIN (EAN) code: 8003437219375

Whirlpool

SENSING THE DIFFERENCE

MAIN FEATURES

Product group	Hood
Colour body	Black
Material body	Glass
Colour chimney	Black
Material chimney	Metal
Typology	Manual
Installation type	Free-standing
Type of control	Electronic
Type of control settings	-
Decor panel options	N/A
Motor location	Integrated motor in hood body
Operating Mode	Convertible
Electrical connection rating (W)	272
Current (A)	1,2
Voltage (V)	220-240
Frequency (Hz)	50/60
Length of Electrical Supply Cord (cm)	150
Plug type	Schuko
Chimney height (mm)	370-700
Height of product, without chimney (mm)	325
Height of the product	360
Width of the product	598
Depth of the product	326
Minimum niche height	0
Minimum niche width	0
Niche depth	0
Net weight (kg)	12

TECHNICAL FEATURES

Type of manual control devices	Touch control
Type of automatic control devices	-
Number of motors	1
Total power of the motors (W)	270
Number of speed settings: boost option availability	3
Boost presence	Yes
Maximum output air extraction (m ³ /h)	629
Boost position air extraction (m ³ /h)	713
Maximum output recirculating air (m ³ /h)	438
Boost position output recirculating (m ³ /h)	458
Light Control Type	On/Off
Number of lights	2
Type of lamps used	LED
Total power of the lamps (W)	2
Diameter of air outlet (mm)	150
No-return airflow flap	No
Grease filter material	Washable aluminium
Odour filter	Yes

PERFORMANCES

Sound power at min. speed (2010/30/EU)	62
Sound power at max. speed (2010/30/EU)	68
Noise level with boost position (dB(A) re 1 pW)	0

ENERG Y IJA
енергия · енеруєт · IE IA

WHIRLPOOL
AKR 038 G BL

A+++
A++
A+
A
B
C
D

82.3
kWh/annum

ABCDEF G ABCDEF G ABCDEF G **68**dB

65/2014