

EXTRACTOR OR FILTERING HOOD INSTALLATION

The minimum distance between the pan supports on the cooking appliance and the lowest part of the cooker hood must not be less than 50 cm in case of electric cookers and 65 cm for gas or combination cookers. If the installation instructions for the gas cooker specify a greater distance, this must be taken into account. It is advisable to contact a qualified technician for installation.

Do not connect the hood to the electrical power supply until installation is completed.

Warning! Check whether the exhaust pipe and clamps are provided. If not, they must be purchased separately.

Note: Parts marked with the symbol “(*)” are optional accessories supplied only with some models or parts not supplied, to be purchased separately.

Very heavy product: hood handling and installation must be carried out by at least two persons.

Pre-assemble the steam deflector on the motor assembly:

(a.) fit the steam deflector to the motor assembly, (b.) secure with 2 M6 x 20 screws and 2 Ø 14 x 12 bushings.

Pre-assembly of the electrical connection box:

(c.) remove the screws and washers on the extractor unit and remove the adhesive tape fixing the box to the extractor unit, (d.) position the electrical connection box above the extractor unit, (e.) secure with 2 screws Ø 3.5 x 9.5 and 2 washers Ø 14 x 12 (previously removed).

1. Using a pencil, draw the centre line on the wall up to the ceiling to facilitate installation operations.
2. Apply the drilling template to the wall: Align the vertical centre-line on the drilling template with the centre-line drawn on the wall. The template's bottom edge represents the bottom edge of the hood.
3. Drill as shown on the template, insert the wall plugs and screw in the top 2 screws, leaving a space of approx. 1 cm between the screw head and the wall.
Note: Drill all the holes indicated on the template: the top 2 holes are for hanging the hood and the bottom hole is for fixing it securely to the wall.
4. Fit the flue support bracket “G” to the wall and against the ceiling, use the support bracket as a drilling diagram (if present, the small slot on the support must match the line previously drawn on the wall) and mark 2 holes with the pencil, then drill the holes and insert 2 wall plugs.
5. Fix the flue support bracket to the wall with 2 screws.
6. Hang the hood on the 2 top screws.
7. Screw in the bottom screw (and washer!) to fix the hood securely in place (COMPULSORY!!).
After checking the alignment of the hood, TIGHTEN ALL THE SCREWS - top and bottom.

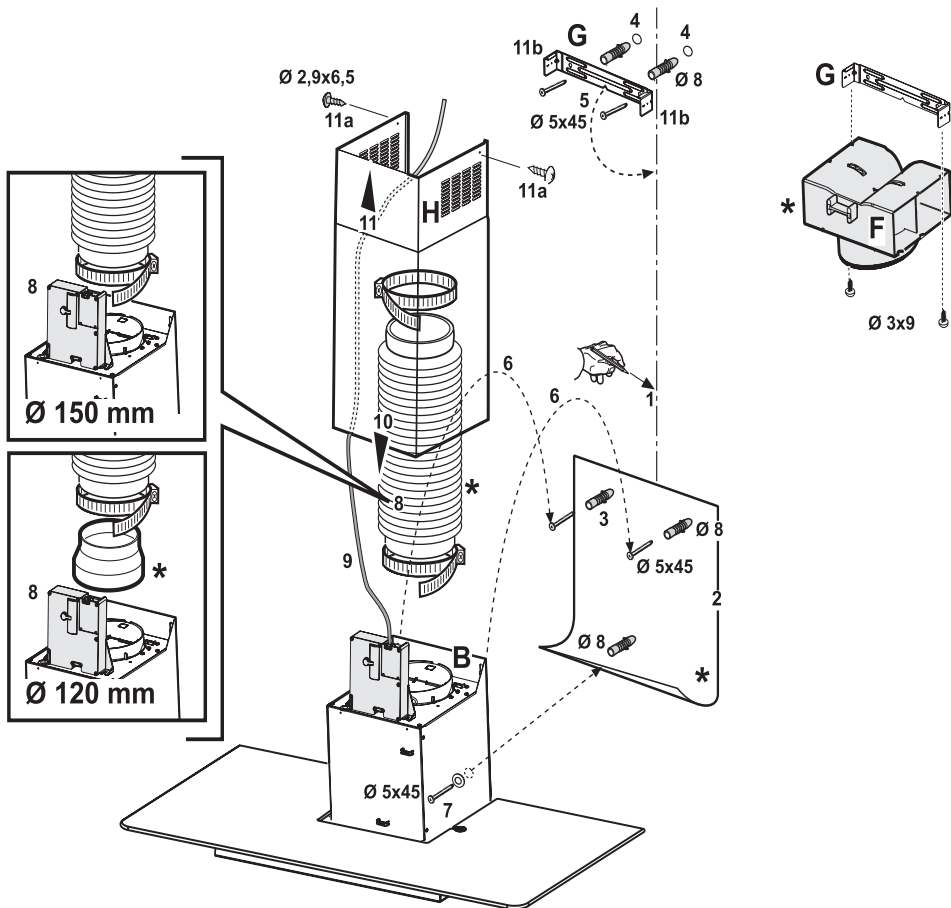
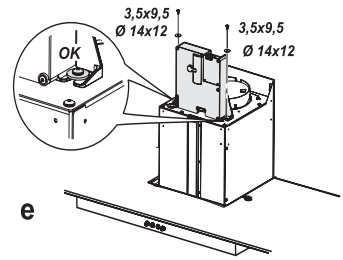
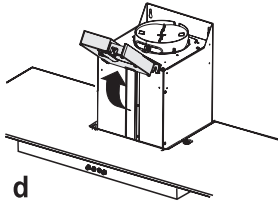
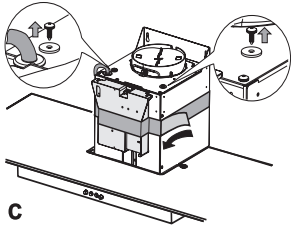
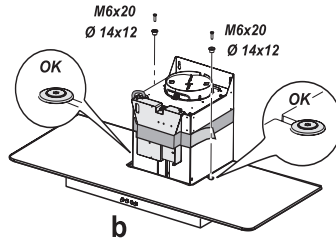
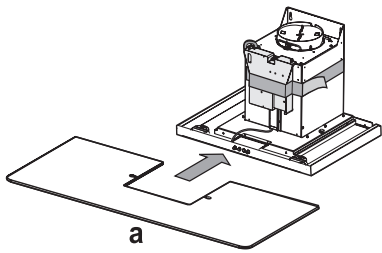
Note: the bottom fixing, positioned in the centre, is visible upon removal of the grease filter and the carbon filter frame (if present).

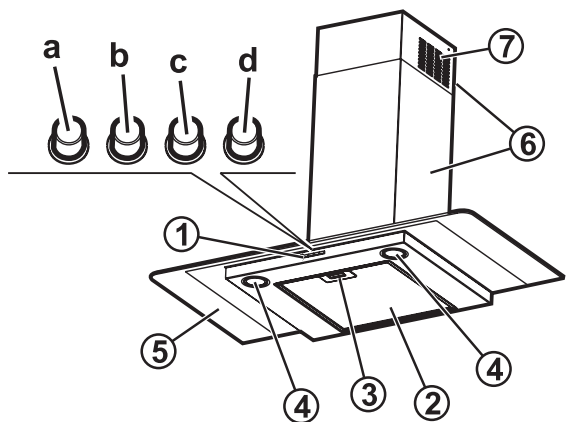
8. Connect an exhaust pipe (pipe and clamps are not supplied and must be bought separately) to the collar above the extraction motor unit.

For extractor operation, connect the other end of the exhaust pipe to the home discharge device.

For filter operation, fix the deflector F to the flue support bracket G and connect the other end of the exhaust pipe to the deflector collar F.

9. Make all necessary electrical connections.
 10. Fit the flues over the extractor unit, engaging them in their seat above the hood.
 11. Slide the top section of the flue and secure it with 2 screws (11a) to the flue support bracket “G” (11b).
- Refit the carbon filter frame and the grease filter/s and check for correct hood operation.





1. Control panel.

- a. Light switch.
- b. Extraction and minimum extraction speed ON/OFF switch.
- c. Medium extraction speed switch.
- d. Maximum extraction speed switch.

2. Grease filter

3. Grease filter release handle

4. Halogen bulb

5. Steam deflector

6. Telescopic flue

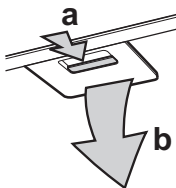
7. Air outlet (for filter version only)

Grease filters:

Metal grease filters have an unlimited life and should be washed once a month either by hand or in a dishwasher at a low temperature and with a short cycle. Washing in a dishwasher can cause grease filters to turn white, but this in no way affects efficiency.

- a. press the handle to remove the filter
- b. remove it.

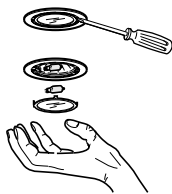
Wash the filter and leave it to dry, proceeding in reverse order to refit it.



Halogen lamps:

Use a small screwdriver or other suitable tool to prise off the cover. Refit (snap on).

Only use 20 W max. (12V-G4) halogen lamps, taking care not to touch them with hands.



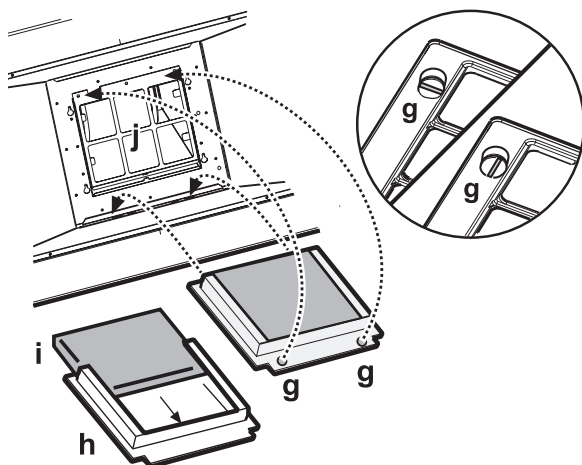
Active carbon filter (filter hoods only):

The carbon filter must be washed once a month in a dishwasher at the highest temperature, using a normal dishwasher detergent. Wash the filters on their own. After washing, reactivate the carbon filter by drying it in the oven at 100° C for 10 minutes. Change the carbon filter every 3 years.

Fitting the carbon filter:

1. Remove the grease filter.
2. Remove the filter holder by turning the knobs through 90°
3. Fit the carbon filter "i" inside the filter holder "h".

Reverse the above procedure to re-fit the filter holder and grease filter.



SAFEGUARDING THE ENVIRONMENT

1. Packing

Packaging materials are 100% recyclable and are marked with the recycling symbol . Dispose of the appliance in conformity with local environmental regulations. Packaging materials (plastic bags, polystyrene, etc.) can be dangerous for children and should be kept well out of their reach.

2. Product

This appliance is marked according to the European directive 2002/96/EC, Waste Electrical and Electronic Equipment (WEEE). By ensuring that this appliance is scrapped suitably, you can help prevent potentially damaging consequences for the environment and health.

The symbol on the product or the accompanying documentation indicates that this product should not be treated as domestic waste but must be taken to a suitable collection centre for the recycling of electrical and electronic equipment.

Disposal must be carried out in accordance with local environmental regulations for waste disposal.

For further information on the treatment, recovery and recycling of this product, contact the competent local office, the household waste collection service or the shop where you purchased the appliance.



PRECAUTIONS AND GENERAL RECOMMENDATIONS

IMPORTANT!

- **The appliance is not intended for use by young children or persons with restricted physical, sensory or mental abilities or without experience and knowledge of the appliance, unless they are under the supervision or instruction of a person responsible for their safety.**

- Children must be supervised to ensure that they do not play with the appliance.

1. Do not connect the appliance to the mains power supply until installation has been completed. Always disconnect the hood before cleaning or carrying out maintenance by unplugging it or switching off the power supply.
2. Do not "flambé" food under the hood. Naked flames could cause a fire.
3. Do not leave pans unattended when frying. Cooking oil can catch fire.
4. Regular cleaning and maintenance is essential to correct functioning and good performance. Regularly remove dirt deposits. Regularly clean or replace filters. Never use flammable materials as hoses for extracted air.
5. If the hood is used together with other appliances powered by gas or other fuels, ambient negative pressure must not exceed 4 Pa (4×10^{-5} bar). For this reason, make sure the room is adequately ventilated.
6. Exhaust air must not be conveyed through the same flue used by the heating system or other appliances powered by gas or other fuels.
7. The room must be adequately ventilated when the hood is used together with appliances powered by gas or other fuels.
8. Make sure lamps are cold before touching them.
9. Exhaust air must not be conveyed through a flue used for removal of fumes produced by gas combustion appliances or other combustible materials, but must have an independent outlet.
All national regulations governing extraction of fumes must be observed.
10. The hood is not a shelf, therefore do not overload or place objects on it.
11. Do not use or leave the hood without its lamps correctly installed - risk of electric shock.

Note: Always wear work gloves for all installation and maintenance operations.

Electrical connections

The mains power supply must match the voltage given on the dataplate located inside the hood. If provided with a plug, connect the hood to a power socket complying with current regulations and located in an accessible area. If it does not have a plug (direct connection to the power supply) or if the socket is not in an accessible place, fit a suitable double-pole switch that ensures complete disconnection from the power supply in category III overvoltage conditions, complying with the installation rules.

IMPORTANT: Before reconnecting the hood circuit to the mains power supply and checking correct operation, make sure the power cable is correctly fitted and that it was NOT crushed in the housing during installation.

Cleaning the hood

Warning! Failure to remove oil/grease (at least once a month) could result in fire.

Use a soft cloth with a neutral detergent. Never use abrasive substances or alcohol.

Before using the hood

To ensure best use of your hood, please read these instructions carefully and keep them for future reference.

Packaging materials (plastic bags, polystyrene, etc.) can be dangerous for children and should be kept well out of their reach. Make sure the hood was not damaged during transport.

Declaration of conformity

This product has been designed, manufactured and sold in conformity to the following standards:

- safety objectives of "Low Voltage" Directive 2006/95/CE (which replaces 73/23/CEE as amended)
- protection requirements of the "EMC" Directive 89/336/CEE amended by Directive 93/68/CEE.

Troubleshooting guide

The hood does not work:

- Is the plug properly inserted in the power socket?
- Is there a power failure?

The hood is not extracting enough:

- Is the right speed selected?
- Do the filters need cleaning or changing?
- Are the air outlets blocked?

The light does not work:

- Does the lamp need replacing?
- Is the lamp correctly fitted?

AFTER-SALES SERVICE

Before calling the After-Sales Service

1. Check to see if you can solve the problem yourself (see "Troubleshooting guide").
2. Switch the hood off and then on again to check if the problem has been eliminated.
3. If the problem persists, contact the After-sales Service.

Specify:

- the nature of the problem,
- the product model given on the dataplate inside the hood, visible on removing the grease filters,
- your full address,
- your telephone number and area code,
- the Service code (the number under the word SERVICE on the dataplate inside the hood, behind the grease filter).

If any repairs are needed, contact an authorized Service Centre (to ensure that only original spare parts are used and that repairs are made correctly).

Failure to comply with these instructions can compromise the safety and quality of the product.

SERVICE



0000 000 00000