

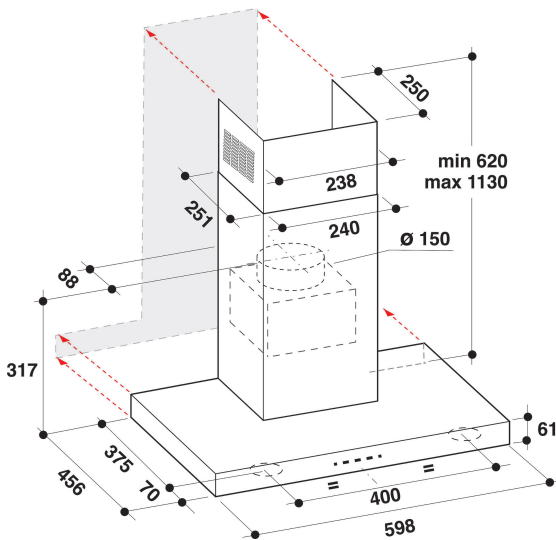
AKR 746 IX

12NC: 857874601000

GTIN (EAN) code: 8003437221460

Whirlpool

SENSING THE DIFFERENCE



- 6TH Sense technology
- Maximum noise level 62 dBA
- Noise Level (min. - max.): 52-62 dBA
- Air Flow (min. - max.): 304, 581, booster 713 m³/h
- Maximum extraction rate: 581 (m³/h)
- Energy class B
- Extraction / Recirculation Rate 650 / 356 m³/h
- Speeds: 4 + Booster
- 2 Halogen, 20 W lamps
- 1 x 250 W motor
- Electronic Touch control
- 2 Washable aluminium filters
- Grease Filtering Efficiency Class: C
- Lighting Efficiency Class: E
- Fluid Dynamic Efficiency Class: B
- Operating Mode: Air extraction, Recirculating air
- Inox Finishing

Whirlpool wall mounted cooker hood - AKR 746 IX

This Whirlpool wall mounted Cooker Hood features: dishwasher-safe, washable aluminium grease filters. An outstanding cooker extractor fan, ensuring a fresh, grease-free cooking environment. Less than 60cm wide appliance. Exclusive 6th SENSE sensor technology that dynamically adjusts energy consumption, depending on what you are cooking. High-efficiency S40HE motor.



Electronic control

Effortless control. This Whirlpool Hood includes an intuitive electronic user interface, designed to provide you with the simplest, most satisfying user experience ever.



High efficiency motor

Efficiency first. The motor in this Whirlpool Hood is designed to provide ideal filtration, while ensuring high energy efficiency.



6th Sense Absolute

Easy interaction approach thanks to the intuitive icons on the UI.



4 Speeds

Versatile performance. This Whirlpool Hood offers 4 speed options, giving you complete control over the extraction rate.



Absolute Design Collection

This Whirlpool Hood is part of our Absolute Collection, featuring exquisite design and details. Enjoy both ideal functionality and outstanding elegance.



Total annual energy consumption

Ideal performance, outstanding savings. Whirlpool Hoods are designed to provide exceptional results, while reducing energy costs.



Flexible Installation

Flexible installation options. This Whirlpool Hood can be operated in either Ducted or Recirculated mode (filter needed), so you can enjoy complete freedom when designing your kitchen.



TIMER

Perfect timing. This Whirlpool Hood includes an intuitive timer, for added convenience.



Touch control user interface

Intuitive controls. The stylish touch-control user interface provides simple, immediate access to all of your hood's settings and functions.



Booster

Odour-free cooking. This Whirlpool Hood features an extraction booster, that ensures ideal air filtration and odour and grease aspiration.

AKR 746 IX

12NC: 857874601000

GTIN (EAN) code: 8003437221460

Whirlpool

SENSING THE DIFFERENCE

MAIN FEATURES

Product group	Hood
Colour body	Inox
Material body	Stainless steel
Colour chimney	Inox
Material chimney	Stainless steel
Typology	Manual
Installation type	Wall-mounted
Type of control	Electronic
Type of control settings	-
Decor panel options	N/A
Motor location	Integrated motor in hood chimney
Operating Mode	Convertible
Electrical connection rating (W)	280
Current (A)	1,2
Voltage (V)	220-240
Frequency (Hz)	50
Length of Electrical Supply Cord (cm)	150
Plug type	Schuko
Chimney height (mm)	580
Height of product, without chimney (mm)	60
Height of the product	620
Width of the product	598
Depth of the product	455
Minimum niche height	0
Minimum niche width	0
Niche depth	0
Net weight (kg)	12.8

TECHNICAL FEATURES

Type of manual control devices	Touch control
Type of automatic control devices	-
Number of motors	1
Total power of the motors (W)	250
Number of speed settings: boost option availability	4
Boost presence	Yes
Maximum output air extraction (m ³ /h)	704
Boost position air extraction (m ³ /h)	704
Maximum output recirculating air (m ³ /h)	356
Boost position output recirculating (m ³ /h)	356
Light Control Type	On/Off
Number of lights	2
Type of lamps used	Halogen
Total power of the lamps (W)	20
Diameter of air outlet (mm)	150
No-return airflow flap	Yes
Grease filter material	Washable aluminium
Odour filter	No

PERFORMANCES

Sound power at min. speed (2010/30/EU)	52
Sound power at max. speed (2010/30/EU)	62
Noise level with boost position (dB(A) re 1 pW)	0

