

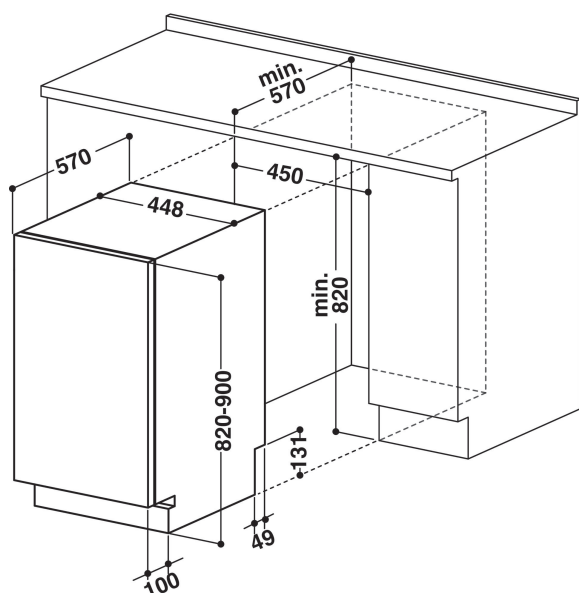
ADG 221

12NC: 851123010000

EAN code: 8003437220555

Whirlpool

SENSING THE DIFFERENCE



MAIN FEATURES

Construction type	Vstavaná
Installation type	Plne vstavaná
Type of control	Electronic
Type of control setting and signalling devices	-
Removable work top	N/A
Door decor panel	N/A
Main colour of product	Čierna
Connection rating (W)	1900
Current (A)	13
Voltage (V)	220-240
Frequency (Hz)	50
Length of Electrical Supply Cord (cm)	130
Plug type	Schuko
Length inlet hose (cm)	150
Length outlet hose (cm)	150
Adjustable plinth	Nie
Height of removable worktop (mm)	0
Adjustable feet	Yes - all from front
Height of the product	820
Width of the product	448
Depth of the product	550
Depth with open door 90 degree (mm)	-
Minimum niche height	820
Maximum niche height	900
Minimum niche width	450
Maximum niche width	600
Niche depth	570
Net weight (kg)	31.50
Gross weight (kg)	33.50

TECHNICAL FEATURES

Automatic programmes	Nie
Maximum temperature for water intake (°C)	60
Start delay options	No delay
Start delay time max. (h)	0
Progress indicator	-
change to:	Nie
Salt light indicator	Áno
Rinse aid light indicator	Áno
Safety device	Áno
Adjustable upper basket	Yes, unloaded
Largest loadable dish upper basket (cm)	0
Largest loadable dish lower basket (cm)	0

ENERGETICKÝ ŠTÍTK

Energy efficiency class - NEW (2010/30/EC)	A+
Energy consumption annual (kWh/annum) - NEW (2010/30/EC)	237
Duration of the left-on mode - NEW (2010/30/EC)	0
Power consumption in left-on mode - NEW (2010/30/EC)	5
Power consumption in off-mode - NEW (2010/30/EC)	0.50
Water consumption annual (l/annum) - NEW (2010/30/EC)	2800
Noise level (dB(A) re 1 pW)	51