

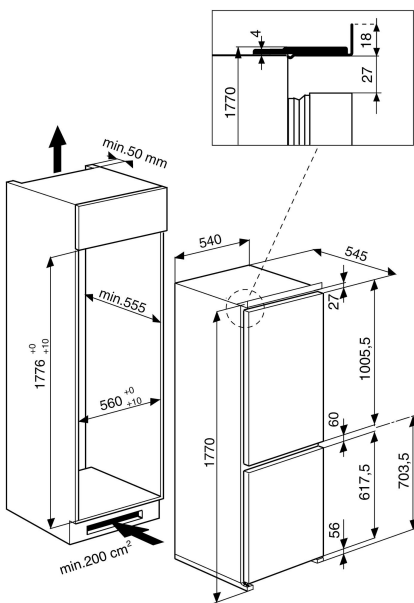
# ART 483/6

12NC: 856426196000

EAN code: 8003437038068

**Whirlpool**

SENSING THE DIFFERENCE



## MAIN FEATURES

Product group	Kombinovaná chladnička
Installation type	Built-in
Type of control	Electronic
Construction type	Built-in
Main colour of product	White
Connection rating (W)	160
Current (A)	16
Voltage (V)	220-240
Frequency (Hz)	50
Number of compressors	1
Length of Electrical Supply Cord (cm)	245
Plug type	Schuko
Total unit net capacity (l)	273
Star Rating	4
Height of the product	0
Width of the product	540
Depth of the product	545
Maximum adjustability feet	-
Net weight (kg)	65

## TECHNICAL FEATURES

Defrost process fridge section	Automatic
Defrost process freezer section	Manual
Fast cooling switch	Ano
Fast freezing function	Ano
Door opened indicator freezer	Ne
Temperature adjustable	-
Temperature adjustable freezer	Ano
Interior ventilator fridge section	Ne
Number of freezing drawers	3
Automatic motor-driven ice-maker	Ne
Number of shelves in fridge compartment	5
Material of the shelves	Glass With Profile
Thermometer fridge section	None
Thermometer freezer section	None
Number of temperature zones	-

## ENERGETICKÝ ŠTÍTEK

Energy efficiency class - NEW (2010/30/EC)	A+
Energy consumption annual (kWh/annum) - NEW (2010/30/EC)	307
Refrigerator Net capacity (l) - NEW (2010/30/EC)	201
Freezer Net capacity (l) - NEW (2010/30/EC)	72
Freezing capacity (kg/24h) - NEW (2010/30/EC)	9
Climate class	T
Noise level (dB(A) re 1 pW)	37
Frost free system	Ne