

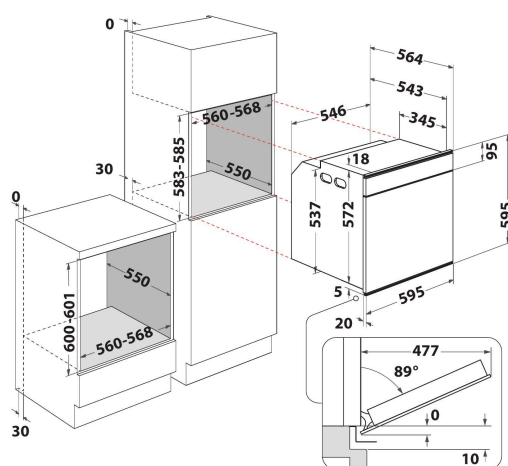
W11 OM1 4MS2 H

12NC: 859991549450

GTIN (EAN) code: 8003437834790

Whirlpool

SENSING THE DIFFERENCE



- 6TH Sense technology
- 6thSense Live
- Up to 100 6th Sense Cooking Combinations
- SmartClean
- Energy class A+
- Cavity 73 L
- Cook4
- Ready2Cook
- Defrost function
- Forced Air Fan Cooking
- Turbo Fan
- Grill
- Easy Clean Enamel Interior
- Turbo grill function
- Maxi cooking
- Pastry function
- Pizza/Bread function

Whirlpool built in electric oven: self cleaning - W11 OM1 4MS2 H

This Whirlpool built in Oven features: smart Clean technology, that provides a self cleaning cycle that ensures ideal cleaning results, at the touch of a button. Advanced electric technology allowing you to cook dishes saving energy. Halogen lamp allowing a more energy-efficient performance. Exclusive 6th SENSE technology, that allows you to pick among a variety of pre-programmed recipes, and your oven will automatically adjust cooking, temperature and time settings, to ensure perfect results. Ready2Cook function, that uses a powerful convection system to quickly reach the right temperature, and completely eliminate pre-heating need.



Multifunction 8

Multiple cooking methods. The Multifunction 8 feature offers flexible cooking options, to ensure perfect results, whatever the recipe.



6th Sense W11

No more guesswork. Simply pick your recipes, and let 6th SENSE cook them to perfection, every time. Up to 100 cooking combinations organized to fit your lifestyle and diet, for a full assisted cooking experience.



Ready2cook

No pre-heating required. The Ready2Cook function uses a powerful convection system to quickly reach the right temperature, and completely eliminate the need for pre-heating.



6th Sense Live App

6TH SENSE technology automatically adjusts time, temperature, and humidity settings to ensure perfect results time after time. With the 6TH SENSE sensors and an exciting choice of exclusive options, consumers can whip up the perfect meal while enjoying an unparalleled intuitive experience.



Forced Air

Seal in the taste. Thanks to the Forced Air technology, preheated air is circulated inside your Oven using an innovative convection system, giving you moist, juicy cooking results.



Smart clean

Effortless, eco-friendly cleaning. The innovative SmartClean technology cleans your oven thoroughly and efficiently in just 30 minutes, without the use of detergents. Simply add 200cc of water to the oven cavity, run the SmartClean cycle, then wipe with a dry cloth.

W11I OM1 4MS2 H

12NC: 859991549450

GTIN (EAN) code: 8003437834790

Whirlpool

SENSING THE DIFFERENCE

MAIN FEATURES


Product group	Oven
Commercial code	W11I OM1 4MS2 H
Main colour of product	Dark grey
Construction type	Built-in
Type of control	Electronic
Type of control settings	-
Are any hobs controls integrated?	No
Which kind of hobs can be controlled?	-
Automatic programmes	Yes
Current (A)	16
Voltage (V)	220-240
Frequency (Hz)	50/60
Length of Electrical Supply Cord (cm)	90
Plug type	No
Depth with open door 90 degree (mm)	-
Height of the product	595
Width of the product	595
Depth of the product	564
Minimum niche height	0
Minimum niche width	0
Niche depth	0
Net weight (kg)	40.5
Usable volume (of cavity)	73
Integrated Cleaning system	Hydrolytic
Grids of the cavity	2
Trays	2

TECHNICAL FEATURES

Timer	-
Time control	Electronic
Time-setting options	Start and Stop
Safety device	-
Interior light	Yes
Number of interior lights of the cavity	2
Position of interior lights of the cavity	Right side
Oven guides of the cavity	Grids
Probe of the cavity	Yes


PERFORMANCES

Energy input	Electric
Type of energy of the cavity	Electricity
Energy efficiency class - NEW (2010/30/EU)	A+
Energy consumption per cycle conventional - NEW (2010/30/EU)	0.91
Energy consumption per cycle forced air convection - NEW (2010/30/EU)	0.70




ENERG Y UA
енергия · ενεργεια IE IA


WHIRLPOOL
W11I OM1 4MS2 H




A+



73 L



0.91 kWh/cycle*



0.70 kWh/cycle*

* цистерна · cylindus · partion · zylinder · nádókapacitás · cido · tsükkel · ohjelma · ciklus · cikls · ciklu · cycles · cykl · ciclu · program · cykel

65/2014