

SAFETY INSTRUCTIONS

Download the complete instruction manual on <http://docs.indesit.eu> or call the phone number shown on the warranty booklet.

Before using the appliance, read these safety instructions. Keep them nearby for future reference.

These instructions and the appliance itself provide important safety warnings, to be observed at all times. The manufacturer declines any liability for failure to observe these safety instructions, for inappropriate use of the appliance or incorrect setting of controls.

⚠ WARNING: If the hob surface is cracked, do not use the appliance - risk of electric shock.

⚠ WARNING: Danger of fire: Do not store items on the cooking surfaces.

⚠ CAUTION: The cooking process has to be supervised. A short cooking process has to be supervised continuously.

⚠ WARNING: Unattended cooking on a hob with fat or oil can be dangerous - risk of fire. NEVER try to extinguish a fire with water: instead, switch off the appliance and then cover flame e.g. with a lid or a fire blanket.

⚠ Do not use the hob as a work surface or support. Keep clothes or other flammable materials away from the appliance, until all the components have cooled down completely - risk of fire.

⚠ Very young children (0-3 years) should be kept away from the appliance. Young children (3-8 years) should be kept away from the appliance unless continuously supervised. Children from 8 years old and above and persons with reduced physical, sensory or mental capabilities or lack of experience and knowledge can use this appliance only if they are supervised or have been given instructions on safe use and understand the hazards involved. Children must not play with the appliance. Cleaning and user maintenance must not be carried out by children without supervision.

⚠ WARNING: The appliance and its accessible parts become hot during use. Care should be taken to avoid touching heating elements. Children less than 8 years of age shall be kept away unless continuously supervised.

PERMITTED USE

⚠ CAUTION: the appliance is not intended to be operated by means of an external switching device, such as a timer, or separate remote controlled system.

⚠ This appliance is intended to be used in household and similar applications such as: staff kitchen areas in shops, offices and other working environments; farm houses; by clients in hotels, motels, bed & breakfast and other residential environments.

⚠ No other use is permitted (e.g. heating rooms).

⚠ This appliance is not for professional use. Do not use the appliance outdoors.

INSTALLATION

⚠ The appliance must be handled and installed by two or more persons - risk of injury. Use protective gloves to unpack and install - risk of cuts.

IMPORTANT TO BE READ AND OBSERVED

⚠ Installation, including water supply (if any), electrical connections and repairs must be carried out by a qualified technician. Do not repair or replace any part of the appliance unless specifically stated in the user manual. Keep children away from the installation site. After unpacking the appliance, make sure that it has not been damaged during transport. In the event of problems, contact the dealer or your nearest After-sales Service. Once installed, packaging waste (plastic, styrofoam parts etc.) must be stored out of reach of children - risk of suffocation. The appliance must be disconnected from the power supply before any installation operation - risk of electric shock. During installation, make sure the appliance does not damage the power cable - risk of fire or electric shock. Only activate the appliance when the installation has been completed.

⚠ Carry out all cabinet cutting operations before fitting the appliance and remove all wood chips and sawdust.

⚠ If the appliance is not installed above an oven, a separator panel (not included) must be installed in the compartment under the appliance.

ELECTRICAL WARNINGS

⚠ It must be possible to disconnect the appliance from the power supply by unplugging it if plug is accessible, or by a multi-pole switch installed upstream of the socket in accordance with the wiring rules and the appliance must be earthed in conformity with national electrical safety standards.

⚠ Do not use extension leads, multiple sockets or adapters. The electrical components must not be accessible to the user after installation. Do not use the appliance when you are wet or barefoot. Do not operate this appliance if it has a damaged power cable or plug, if it is not working properly, or if it has been damaged or dropped.

⚠ Installation using a power cable plug is not allowed unless the product is already equipped with the one provided by the Manufacturer.


⚠ If the supply cord is damaged, it must be replaced with an identical one by the manufacturer, its service agent or similarly qualified persons in order to avoid a hazard - risk of electric shock.

CLEANING AND MAINTENANCE

⚠ WARNING: Ensure that the appliance is switched off and disconnected from the power supply before performing any maintenance operation; never use steam cleaning equipment - risk of electric shock.

⚠ Do not use abrasive or corrosive products, chlorine-based cleaners or pan scourers.

DISPOSAL OF PACKAGING MATERIALS

The packaging material is 100% recyclable and is marked with the recycle symbol .


The various parts of the packaging must therefore be disposed of responsibly and in full compliance with local authority regulations governing waste disposal.

DISPOSAL OF HOUSEHOLD APPLIANCES

This appliance is manufactured with recyclable or reusable materials. Dispose of it in accordance with local waste disposal regulations. For further information on the treatment, recovery and recycling of household electrical appliances, contact your local authority, the collection service for household

waste or the store where you purchased the appliance. This appliance is marked in compliance with European Directive 2012/19/EU, Waste Electrical and Electronic Equipment (WEEE) and with the Waste Electrical and Electronic Equipment regulations 2013 (as amended).

By ensuring this product is disposed of correctly, you will help prevent negative consequences for the environment and human health.

The symbol  on the product or on the accompanying documentation indicates that it should not be treated as domestic waste but must be taken to an appropriate collection center for the recycling of electrical and electronic equipment.

ENERGY SAVING TIPS

Make the most of your hot plate's residual heat by switching it off a few minutes before you finish cooking.

The base of your pot or pan should cover the hot plate completely; a container that is smaller than the hot plate will cause energy to be wasted.

Cover your pots and pans with tight-fitting lids while cooking and use as little water as possible. Cooking with the lid off will greatly increase energy consumption.

Use only flat-bottomed pots and pans.

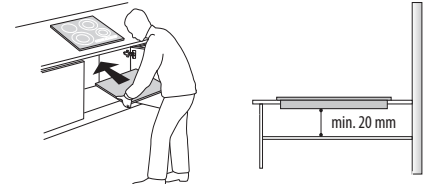
DECLARATION OF CONFORMITY

This appliance meets Ecodesign requirements of European Regulation 66/2014 and The Ecodesign for Energy-Related Products and Energy Information (Amendment) (EU Exit) Regulations 2019 in compliance with the European standard EN 60350-2.



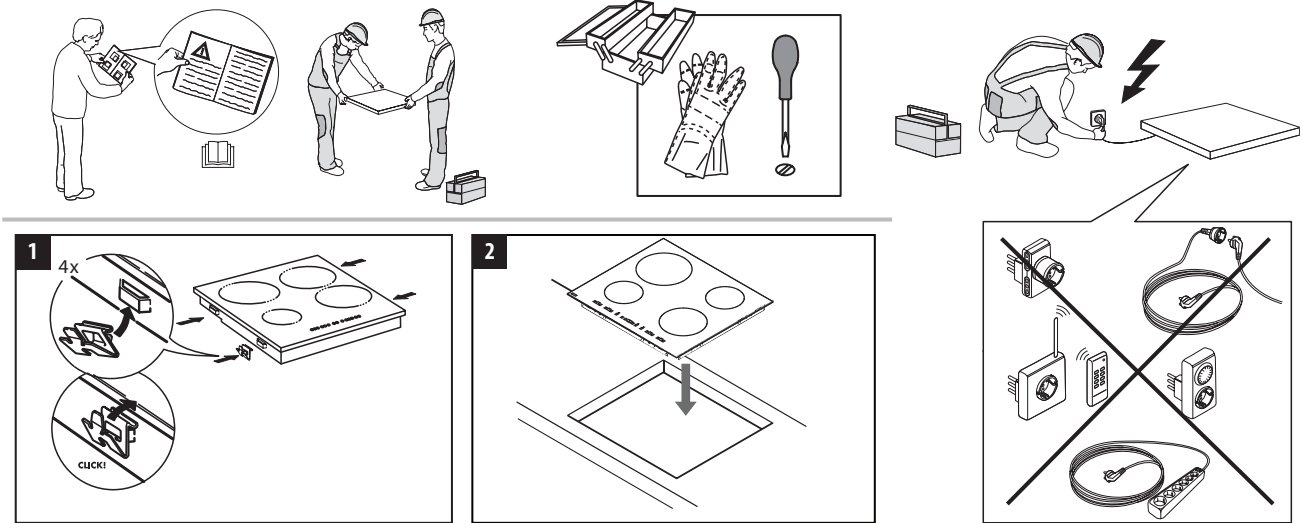
INSTALLATION

- The cooktop must be set into a worktop at least 20 mm deep.
- There must be nothing between the cooktop and the oven (cross rails, brackets, etc.).
- Make sure the power cord is long enough to allow convenient installation.
- The distance between the lower face of the glass ceramic hob and the cupboard or separating panel must be at least 20 mm.
- For built-in dimensions and installation see the picture in this paragraph.
- A minimum distance must be maintained between the hob and the hood above it. Please refer to the user manual of the hood for more informations.
- Apply the supplied gasket to the cooktop (unless it has already been fitted), after having cleaned its surface.
- **Do not install the cooktop near a dishwasher or washing machine, so that the electronic circuits do not come into contact with steam or moisture, which could damage them.**
- If an oven (from our range of ovens) is installed beneath the cooktop, make sure that it is equipped with a cooling system. If the temperature of the electronic circuits exceeds the maximum permitted temperature, the cooktop will switch off automatically; in this case, wait for a few minutes until the internal temperature of the electronic circuits reaches a tolerable level, at which point it will be possible to switch the hob on again.

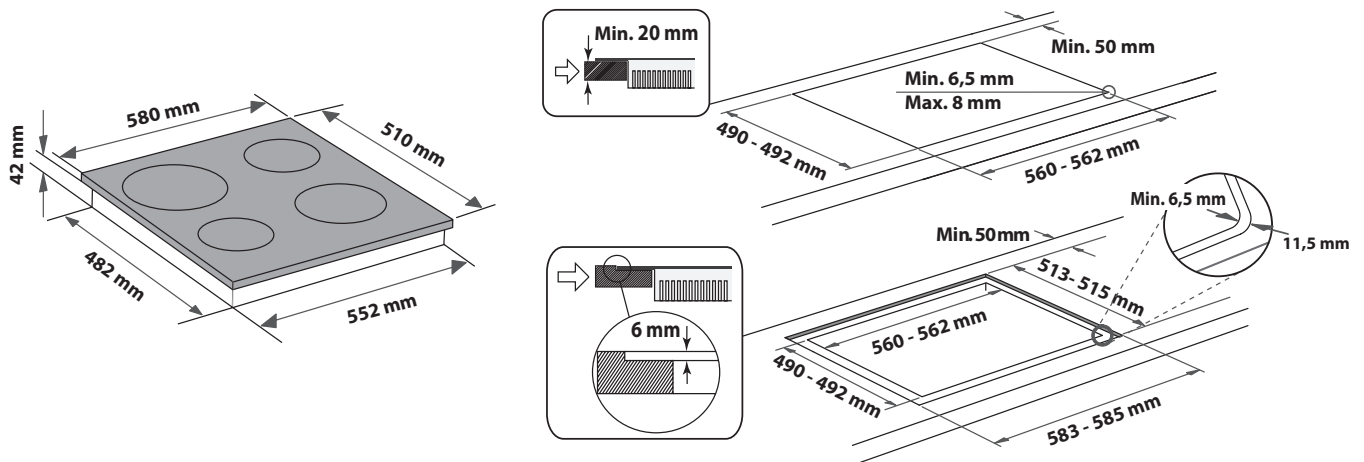
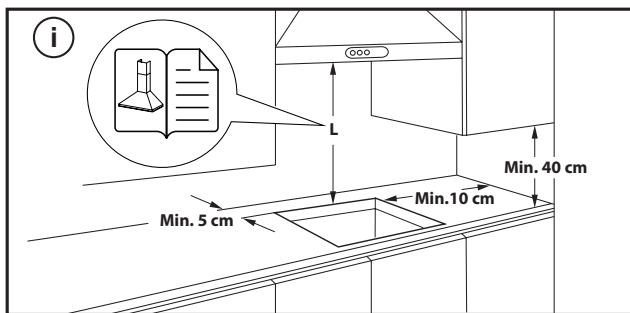


PLACING THE HOB

After the electrical connection (see the chapter "Electrical connection"). Position each fixing clips on the dedicated slots on the lateral sides of the hob as shown in the picture. Then push the hob inside the cut out and check that the glass is flat and parallel to the worktop. The fixing clips are designed for every type of worktop material (wood, marble, etc).



DIMENSIONS AND DISTANCES TO BE MAINTAINED



REMOVING THE HOB:

To remove the hob, first, disconnect it from the electric supply. It is strongly recommended to free the underneath part from the oven, drawer, separator, or other. It allows the technician to access the lower part of the hob to unfasten the four clips with a screwdriver, lift the hob and remove it, avoiding any worktop damage.

ELECTRICAL CONNECTION

Electrical connection must be made before connecting the appliance to the electricity supply.

The power cord is not included in the package - remember to prepare your own power cord.




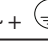
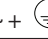
Installation must be carried out by qualified personnel who know the current safety and installation regulations. Specifically, installation must be carried out in compliance with the regulations of the local electricity supply company.

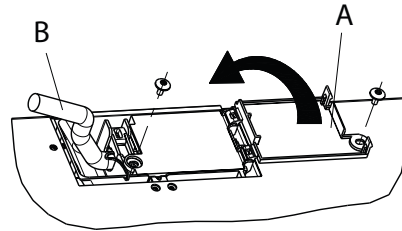
Make sure the voltage specified on the data plate located on the bottom of the appliance is the same as that of the home.

Regulations require that the appliance be earthed: use conductors (including the earth conductor) of the appropriate size only.

CONNECTION TO THE TERMINAL BLOCK

For the electrical connection, use an H05RR-F or H05V2V2-F cable as specified in the table below.

SUPPLY VOLTAGE	CONDUCTORS AMOUNT x SIZE
220-240V ~+ 	3 x 4 mm ²
230-240V ~+ 	3 x 4 mm ² (Australia only)
220-240V 3~+ 	4 x 1,5 mm ²
380-415V 3N~+ 	5 x 1,5 mm ²
380-425V 2N~+ 	4 x 1,5 mm ²



The appliance must be connected to the electricity supply by means of an all-pole disconnect switch with minimum contact gap of 3 mm.

ATTENTION: the power supply cable must be long enough to allow the cooktop to be removed from the worktop and must be positioned so as to avoid damage or overheating caused by contact with the base.

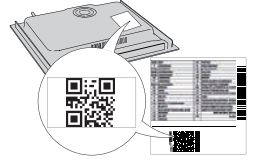
NOTE: the yellow/green earth wire must be connected to the terminal with the symbol  and must be longer than the other wires.

- Remove approx. 70 mm of the cable sheath from the power supply cable (B).
- Strip approx. 10 mm of sheath from the wires. Then insert the power supply cable into the cable clamp and connect the wires to the terminal block as indicated in the connection diagram placed close to the terminal block itself.
- Secure the power supply cable (B) by means of the cable clamp.
- Close the terminal board with the cover (A) securing it with the screw provided.
- After the electrical connection, fit the hob from the top and hook it to the support springs, according to the illustration.



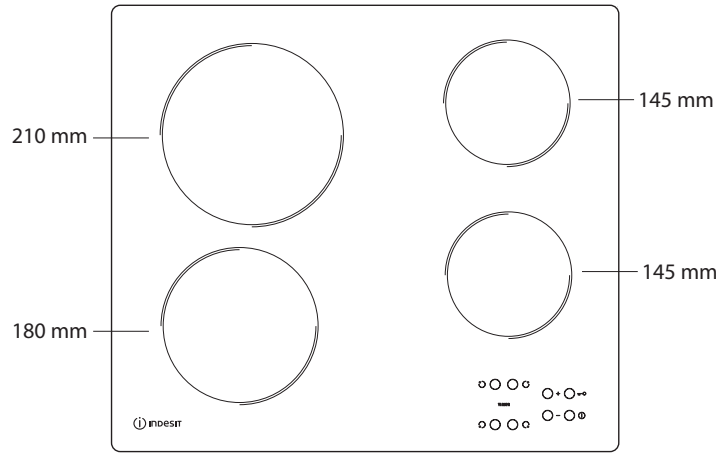
THANK YOU FOR BUYING A WHIRLPOOL PRODUCT
In order to receive a more complete assistance, please register your product on www.indesit.com/register.

PLEASE SCAN THE QR CODE ON YOUR APPLIANCE IN ORDER TO REACH MORE INFORMATION

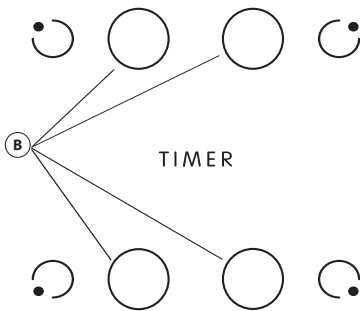


Before using the appliance carefully read the Safety Instruction.

PRODUCT DESCRIPTION



CONTROL PANEL



- A** On/Off
- B** Cooking zone and timer selection
- C-E** Heat setting increase and decrease
- D** Key lock

FIRST TIME USE

Upon first installation, the control panel performs a functional test for about 1 second, after which it automatically switches to the "Key lock" function. To deactivate the function, press and hold button "D"; an acoustic signal will

sound and the corresponding led will turn off.

NOTE: If a reset occurs, repeat the procedure described above.

DAILY USE



SWITCHING THE HOB ON/OFF

To switch the hob on, keep button "A" pressed for approx. 2 seconds. The 4 cooking zone displays show "0". If within 20 seconds none of the cooking zones is activated, the hob switches off automatically as a safety precaution.

SWITCHING ON AND ADJUSTING COOKING ZONES

Press one of the buttons "B" corresponding to the cooking zone you intend to use. Select the heat setting required with buttons "E" or "C". The other selectable cooking settings go from 1 to 9. Press buttons "+/-" at the same time to cancel all settings.

IMPORTANT: the control is deactivated 10 seconds after the heat setting has been selected.

To change the heat setting, first press the selection button "B" again, then proceed to change the setting, using buttons "E" or "C".

TIMER

To set the Timer function, select the desired cooking zone and power setting then press the cooking zone key again and a luminous dot will appear on the display of the timer-controlled cooking zone. The indication "00" blinks on the 2 displays. Press buttons "C" or "E" to set the time from 1 to 99.

IMPORTANT: after 10 seconds the timer displays will show the power setting of the other cooking zones.

To view the remaining cooking time, press the timer-controlled cooking zone key twice.

A FUNCTION

This function allows to automatically decrease the cooking zone power level from the highest value (level 9) to the one selected by the user for a later stage of cooking.

To activate this function first press the "+" button when level 9 is reached. The display shows "A" and "9" flashes alternately with low brightness.

At this point, choose the desired power level (less than 9) with the "-" button.

"A" and selected level flash alternately with low brightness on the display. The function is activated once "A" and the selected level flash alternately with high brightness on the display. Once "A" is no longer visible on the display (the "A" function switches off automatically after several minutes, depending on the set power level), the cooking process continues with lower power and the display shows only the selected power level. **N.B.:** this function is not possible with level 9.

KEY LOCK

The Key lock function is switched on by holding down button "D" until a dot lights up above the function button. The control panel is locked except for the switching-off function. The function remains on even after the hob is switched off and on again and can be deactivated by pressing button "D" again until the dot above the function button goes off.

When the hob is off with the key lock activated to switch the hob on, first deactivate the key lock function by pressing button "D" again until the dot above the function button goes off.

The presence of water, liquid spilled from pots or any objects resting on the controls can accidentally activate or deactivate the Key lock function.

RESIDUAL HEAT INDICATOR

When the cooking zone is switched off, the residual heat indicator "H" remains on or flashes alternating with "0" until the temperature of the hob returns within safety levels.

IMPORTANT: The hob's safety features include an automatic switching off function. Prolonged use of the same heat setting triggers automatic switch-off of the cooking zone (for example, after around 1 hour at maximum heat setting, the cooking zone switches off).

IMPORTANT: To avoid a permanent damage the hob:

- do not use pots with bottoms that are not flat;
- do not use metal pots with enamelled bottom;
- do not place hot pots/pans over the control panel.

The hob is also equipped with the "auto shut off" function that switches off the cooking zone if no power level modification is done after a specific time frame depending on the power setting itself. In the table, there is the time duration of each power level.

POWER LEVEL	AUTO SHUT OFF TIME
0	30 seconds
1	10 hours
2	5 hours
3	5 hours
4	4 hours
5	3 hours
6	2 hours
7	2 hours
8	2 hours
9	1 hour

COOKING TABLE

POWER LEVEL		TYPE OF COOKING	LEVEL USE (indicating cooking experience and habits)
Maximum power	9	Boiling	Ideal for rapidly increasing the food temperature to fast boiling in the case of water or rapidly heating cooking liquids.
	9-8	Searing	Ideal for browning, starting to cook, frying frozen products, fast boiling.
High power	8-7	Browning - maintain boiling - grilling	Ideal for browning, maintaining a high boil, cooking, and grilling (short duration, 5-10 minutes).
	7-6	Frying - cooking - grilling	Ideal for maintaining a low boil, cooking and grilling (medium duration, 10-20 minutes), preheating, and frying.
Medium power	6-5	Gentle frying	Ideal for frying eggs, omelettes.
	5-4	Cooking - simmering - stewing	Ideal for prolonged cooking (rice, sauces, roasts, fish) with liquids (e.g., water, wine, broth, milk), creaming pasta.
	4-3	Thickening - creaming pasta	
Low power	2-1	Keeping food hot - creaming risottos	Ideal for keeping just-cooked food hot (e.g., sauces, soups, minestrone), creaming risottos and keeping serving dishes warm.
Minimum power	1	Defrosting	Ideal for defrosting small products and gently melting chocolate or butter.
Zero power	0	-	Hob in stand-by or off mode (possible end of cooking residual heat, indicated by an "H").

CLEANING AND MAINTENANCE

 **Disconnect the appliance from the power supply.**

- Do not use steam cleaning equipment.
- Do not use abrasive sponges or scouring pads as they may damage the glass.
- After each use, clean the hob (when it is cool) to remove any deposits and stains from food residue.

- Sugar or foods with a high sugar content can damage the hob and must be immediately removed.
- Salt, sugar and sand could scratch the glass surface.
- Use a soft cloth, absorbent kitchen paper or a specific hob cleaner (follow the Manufacturer's instructions).
- Spills of liquid in the cooking zones can cause the pots to move or vibrate.
- After cleaning the hob, dry thoroughly.

TROUBLESHOOTING

If the hob does not operate correctly, before calling the After-Sales Service, refer to the Troubleshooting Guide to determine the problem.

- Read and follow the instructions given in the section "Daily use".
- Check that the electricity supply has not been shut off.
- Dry the hob thoroughly after cleaning it.
- If a cooking zone has been selected and an "F" or an "ER" appear on the display followed by a number, contact the After Sales Service and inform them.
- If the error code is "F03", "ER03" or "E02", try to solve it by following these instructions:
 - If the error "E02" appears, please make sure you haven't been pressing buttons for more than 5 seconds, no object is on the HMI area and that it's clean and dry - when cleaning, please follow the "Cleaning and Maintenance" paragraph.
 - If the error "F03" appears, try turning the cooktop off and on again.
 - If the error "F04" appears, contact After Sales Service and let them know which code is displayed.

- If the hob does not work following intensive use, the hob internal temperature is too high. Wait a few minutes until the hob cools down.
- If the heater is not continuously on but switches on and off cyclically even if on the display the power level does not change, this is part of the normal functioning of the hob. The on/off cycle allows the power regulation of the heater and is completely normal. In some cases, thermal protection could switch off the heater for some time to avoid glass damage. Examples of such cases are: cooking a long time at a high power level, using pots smaller than the heating element, and not flat-bottomed pots.
- If the hob is emitting a brief sound without the customer pressing any buttons, please take care of any liquid spills on the HMI. Please dry the HMI and continue using the hob. If the hob has been switched off automatically, it can be caused by a liquid presence on HMI. Please dry the HMI and switch the hob back on.

If after the above checks the fault still occurs, get in touch with the nearest After Sales Service.

AFTER-SALES SERVICE

To receive complete assistance, please register your product on www.indesit.com/register.

BEFORE CALLING THE AFTER-SALES SERVICE:

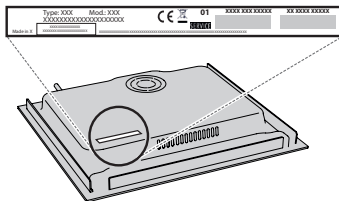
1. See if you can solve the problem by yourself with the help of the **TROUBLESHOOTING** suggestions.
2. Switch the appliance off and back on again to see if the fault persists.

IF AFTER THE ABOVE CHECKS THE FAULT STILL OCCURS, GET IN TOUCH WITH THE NEAREST AFTER-SALES SERVICE.

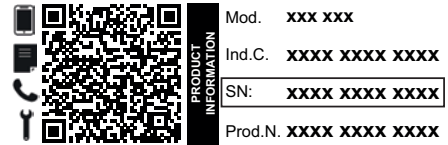
To receive assistance, call the number shown on the warranty booklet or follow the website's instructions on www.indesit.com.

When contacting our Client After sales service, always specify:

- a brief description of the fault;
- the type and exact model of the appliance;



- the serial number (number after the word SN on the rating plate located under the appliance). The serial number is also indicated in the documentation;



- your full address;
- your telephone number.

If any repairs are required, please contact an authorized after-sales service (to guarantee that original spare parts will be used and repairs carried out correctly).

Policies, standard documentation and additional product information can be found by:

- Using QR code in your appliance;
- Visiting our website docs.indesit.eu;
- Alternatively, **contact our After-sales Service** (See phone number in the warranty booklet). When contacting our After-sales Service, please state the codes provided on your product's identification plate.



Laden Sie die vollständige Bedienungsanleitung auf <http://docs.indesit.eu> herunter oder rufen Sie die Telefonnummer, die im Garantieheft angegeben ist, an.

durchlesen. Diese Anweisungen zum Nachschlagen leicht zugänglich aufbewahren.

In diesen Anweisungen sowie auf dem Gerät selbst werden wichtige Sicherheitshinweise angegeben, die durchgelesen und stets beachtet werden müssen. Der Hersteller übernimmt keine Haftung für die Nichtbeachtung dieser Sicherheitshinweise, für unsachgemäße Verwendung des Geräts oder falsche Bedienungseinstellung.

⚠ **WARNUNG:** Wenn die Kochfeldoberfläche rissig ist, das Gerät nicht verwenden - Stromschlaggefahr.

⚠ **WARNUNG:** Brandgefahr: Lagern Sie nichts auf der Kochoberfläche.

⚠ **VORSICHT:** Das Garverfahren muss überwacht werden. Ein kurzes Garverfahren muss kontinuierlich überwacht werden.

⚠ **WARNUNG:** Unbeaufsichtigtes Garen mit Fett oder Öl auf einem Kochfeld kann gefährlich sein - Brandgefahr. NIEMALS versuchen, das Feuer mit Wasser zu löschen: Stattdessen das Gerät ausschalten und dann die Flamme zum Beispiel mit einem Deckel oder einer Löschdecke abdecken.

⚠ Benutzen Sie die Kochmulde nicht als Arbeitsfläche oder Ablage. Kleidung oder andere brennbare Materialien vom Gerät fernhalten, bis alle Komponenten vollständig abgekühlt sind - Brandgefahr.

⚠ Babys und Kleinkinder (0-3 Jahre) müssen vom Gerät fern gehalten werden. Jüngere Kinder (3-8 Jahre) müssen vom Gerät fern gehalten werden, es sei denn, sie werden ständig beaufsichtigt. Dieses Gerät darf von Kindern ab 8 Jahren sowie Personen mit herabgesetzten physischen, sensorischen oder geistigen Fähigkeiten und Mangel an Erfahrung und Kenntnissen nur unter Aufsicht oder nach ausreichender Einweisung durch eine für ihre Sicherheit verantwortliche Person verwendet werden. Kinder dürfen nicht mit dem Gerät spielen. Die Reinigung und Pflege des Geräts darf von Kindern nicht ohne Aufsicht durchgeführt werden.

⚠ **WARNUNG:** Das Gerät und die zugänglichen Teile werden bei der Benutzung heiß. Berühren Sie die Heizelemente nicht. Kinder unter 8 Jahren dürfen sich dem Gerät nur unter Aufsicht nähern.

ZULÄSSIGE NUTZUNG

⚠ **VORSICHT:** Das Gerät ist nicht für den Betrieb mit einer externen Schaltvorrichtung, z. B. einem Timer oder einer separaten Fernbedienung, ausgelegt.

⚠ Dieses Gerät ist für Haushaltsanwendungen und ähnliche Anwendungen konzipiert, zum Beispiel: Mitarbeiterküchen im Einzelhandel, in Büros oder in anderen Arbeitsbereichen; Gasthäuser; für Gäste in Hotels, Motels, Bed-and-Breakfast-Anwendungen und anderen Wohnumgebungen.

⚠ Jegliche andere Art der Nutzung (z. B. Aufheizen von Räumen) ist untersagt.

⚠ Dieses Gerät eignet sich nicht für den professionellen Einsatz. Das Gerät ist nicht für die Benutzung im Freien geeignet.

INSTALLATION

⚠ Zum Transport und zur Installation des Gerätes sind zwei oder mehrere Personen erforderlich - Verletzungsgefahr. Schutzhandschuhe zum Auspacken und zur Installation verwenden - Risiko von Schnittverletzungen.

⚠ Die Installation, einschließlich der Wasserversorgung (falls vorhanden) und elektrische Anschlüsse und Reparaturen müssen von einem qualifizierten Techniker durchgeführt werden. Reparieren Sie das Gerät nicht selbst und tauschen Sie keine Teile aus, wenn dies vom Bedienungshandbuch nicht ausdrücklich vorgesehen ist. Kinder vom Installationsort fern halten. Prüfen Sie das Gerät nach dem Auspacken auf Transportschäden. Bei auftretenden Problemen wenden Sie sich bitte an Ihren Händler oder den Kundenservice. Nach der Installation müssen Verpackungsabfälle (Kunststoff, Styroporteile usw.) außerhalb der Reichweite von Kindern aufbewahrt werden - Erstickungsgefahr. Das Gerät vor Installationsarbeiten von der Stromversorgung trennen - Stromschlaggefahr. Während der Installation sicherstellen, das Netzkabel nicht mit dem Gerät selbst zu beschädigen - Brand- oder Stromschlaggefahr. Das Gerät erst starten, wenn die Installationsarbeiten abgeschlossen sind.

⚠ Den Unterbauschrank vor dem Einschleiben des Geräts auf das Einbaumaß zurechtschneiden und alle Sägespäne und Schnittreste entfernen.

⚠ Wenn das Gerät nicht über einem Ofen installiert ist, muss eine Trennplatte (nicht inbegriffen) in dem Fach unter dem Gerät installiert werden.

HINWEISE ZUR ELEKTRIK

⚠ Es muss gemäß den Verdrahtungsregeln möglich sein, den Netzstecker des Gerätes zu ziehen, oder es mit einem Trennschalter, welcher der Steckdose vorgeschaltet ist, auszuschalten. Das Gerät muss im Einklang mit den nationalen elektrischen Sicherheitsbestimmungen geerdet sein.


⚠ Verwenden Sie keine Verlängerungskabel, Mehrfachstecker oder Adapter. Nach der Installation dürfen Stromführende Teile für den Benutzer nicht mehr zugänglich sein. Das Gerät nicht in nassem Zustand oder barfuß verwenden. Das Gerät nicht verwenden, wenn das Netzkabel oder der Stecker beschädigt sind, wenn es nicht einwandfrei funktioniert, wenn es heruntergefallen ist oder in irgendeiner Weise beschädigt wurde.

⚠ Die Installation mit einem Netzkabelstecker ist nicht zulässig, es sei denn, das Produkt ist bereits mit dem vom Hersteller gelieferten Stecker ausgestattet.

⚠ Wenn das Netzkabel beschädigt ist, muss es aus Sicherheitsgründen vom Hersteller, von seinem Kundendienstvertreter oder einer ähnlich qualifizierten


Fachkraft mit einem identischen Kabel ersetzt werden
- Stromschlaggefahr.

REINIGUNG UND WARTUNG

 **WARNUNG:** Vor der Durchführung von Wartungsarbeiten, sicherstellen, dass das Gerät ausgeschaltet und von der Stromversorgung getrennt ist. Verwenden Sie niemals Dampfreiniger- Stromschlaggefahr.

 Verwenden Sie keine Scheuermittel oder korrosiven Produkte, Reinigungsmittel auf Chlorbasis oder Topfreiniger.

ENTSORGUNG VON VERPACKUNGSMATERIALIEN


Das Verpackungsmaterial ist zu 100 % wiederverwertbar und trägt das Recycling-Symbol .

Werfen Sie das Verpackungsmaterial deshalb nicht einfach fort, sondern entsorgen Sie es gemäß den geltenden örtlichen Vorschriften.

ENTSORGUNG VON HAUSHALTSGERÄTEN

Dieses Gerät wurde aus recycelbaren oder wiederverwendbaren Werkstoffen hergestellt. Entsorgen Sie das Gerät im Einklang mit den lokalen Vorschriften zur Abfallbeseitigung. Genauere Informationen zu Behandlung, Entsorgung und Recycling von elektrischen Haushaltsgeräten erhalten Sie bei Ihrer örtlichen Behörde, der Müllabfuhr oder dem Händler, bei dem Sie das Gerät gekauft haben. Dieses Gerät ist in Übereinstimmung mit der Europäischen Richtlinie 2012/19/EU über Elektro- und Elektronik-Altgeräte (WEEE) und den Verordnungen zur Entsorgung von Elektro- und Elektronikgeräten 2013 (in der jeweils gültigen Fassung) gekennzeichnet.

Durch eine vorschriftsmäßige Entsorgung tragen Sie zum Umweltschutz bei und vermeiden Unfallgefahren, die bei einer unsachgemäßen Entsorgung des Produktes entstehen können.

Das Symbol  auf dem Gerät bzw. auf dem beiliegenden Informationsmaterial weist darauf hin, dass dieses Gerät kein normaler Haushaltsabfall ist, sondern in einer Sammelstelle für Elektro- und Elektronik-Altgeräte entsorgt werden muss.

Für Deutschland regelt das Elektroggesetz die Rückgabe von Elektrogeräten noch weitreichender.

Altgeräte können kostenfrei im lokalen Wertstoff- oder Recyclinghof abgegeben werden.

Das Gesetz sieht weitere kostenfreie Rückgabemöglichkeiten für Elektro- und Elektronik-Altgeräte im Handel vor:

- Für Produkte, die sie direkt bezogen haben, bieten wir die optionale Rücknahme ihres Altgerätes bei Anlieferung des neuen Gerätes durch den Spediteur.
- Rückgabe in Elektrofachmärkten mit einer Verkaufsfläche von mindestens 400m².
- Rückgabe in Lebensmittelmärkten mit einer Verkaufsfläche von mindestens 800m², wenn diese regelmäßig Elektrogeräte zum Kauf anbieten.
- Rücknahmen über den Versandhandel.

Für Haushaltsgroßgeräte mit einer Kantenlänge über 25cm gilt eine 1:1 Rücknahme – sie können bei Neukauf ein Altgerät der gleichen Art zurückgeben. Für Kleingeräte mit einer Kantenlänge bis 25cm besteht auch eine 0:1 Rücknahmepflicht – die Rückgabe von Geräten ist nicht an einen Neukauf gebunden.

Bitte löschen sie personenbezogene Daten auf geräte-internen Datenträgern, bevor sie das Gerät entsorgen. Sie sind verpflichtet Leuchtmittel; Batterien und Akkumulatoren getrennt zu entsorgen, sofern diese zerstörungsfrei aus dem Gerät entnehmbar sind.

ENERGIESPARTIPPS

Nutzen Sie die Restwärme Ihrer heißen Platte, indem Sie sie einige Minuten ausschalten, bevor Sie mit dem Garen fertig sind.

Der Boden der Pfanne oder des Topfes sollte die heiße Kochplatte vollständig abdecken; Ein Behälter, der kleiner als die heiße Platte ist, führt zu Energieverlust. Decken Sie während dem Garen Ihre Töpfe und Pfannen mit dichten Deckeln ab und verwenden Sie so wenig Wasser wie möglich. Garen ohne Deckel erhöht den Energieverbrauch stark.

Verwenden Sie nur Töpfe und Pfannen mit flachem Boden.

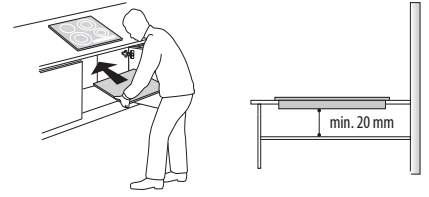
KONFORMITÄTSERKLÄRUNG

Dieses Gerät entspricht den Ökodesign-Anforderungen von Verordnung (EU) Nr. 66/2014 und den Ecodesign for Energy-Related Products and Energy Information (Amendment) (EU Exit) Regulations 2019 in Einklang mit der Europäischen Norm EN 60350-2.



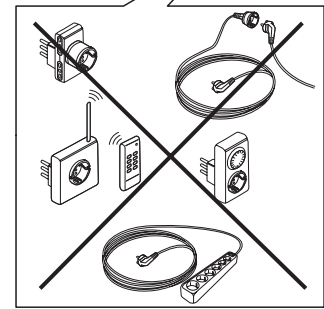
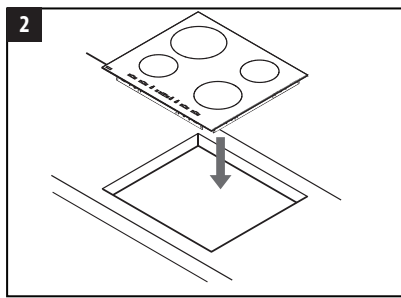
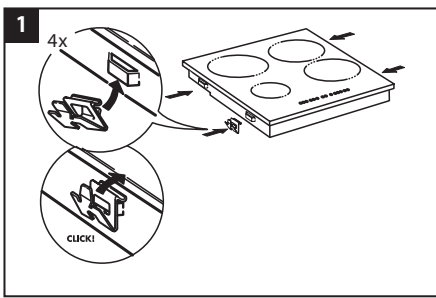
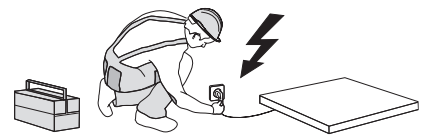
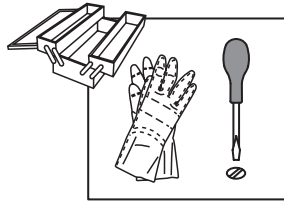
INSTALLATION

- Das Kochfeld muss in eine mindestens 20 mm tiefe Arbeitsplatte eingelassen werden.
- Zwischen Kochmulde und Ofen dürfen keine Querschienen, Winkel usw. sein.
- Stellen Sie sicher, dass das Netzkabel lang genug ist, um eine bequeme Installation zu ermöglichen.
- Der Abstand zwischen der Unterseite des Glaskeramik-Kochfelds und Unterschrank oder Trennwand muss mindestens 20 mm betragen.
- Für Abmessungen und Installation der Einbauversion, siehe das Bild in diesem Abschnitt.
- Zwischen dem Kochfeld und der darüber liegenden Dunstabzugshaube muss ein Mindestabstand eingehalten werden. Weitere Informationen finden Sie im Benutzerhandbuch der Dunstabzugshaube.
- Setzen Sie das mitgelieferte Dichtungsprofil (falls es noch nicht eingesetzt ist) ein, nachdem Sie die Oberfläche des Kochfelds wie in der Abbildung gezeigt sorgfältig gesäubert haben.
- Bauen Sie das Kochfeld nicht neben einer Spül- oder Waschmaschine ein, damit die elektronischen Stromkreise nicht mit Dampf oder Feuchtigkeit in Berührung kommen, wodurch sie beschädigt werden könnten.
- Wenn ein Ofen unter dem Kochfeld installiert ist, stellen Sie sicher, dass er mit einem Kühlsystem ausgestattet ist. Wenn die Temperatur der elektronischen Stromkreise die maximal zulässige Temperatur übersteigt, schaltet sich das Kochfeld automatisch aus; in diesem Fall müssen Sie ein paar Minuten warten, bis die Innentemperatur der elektronischen Schaltkreise auf einen zulässigen Wert abgekühlt ist und Sie das Kochfeld wieder einschalten können.

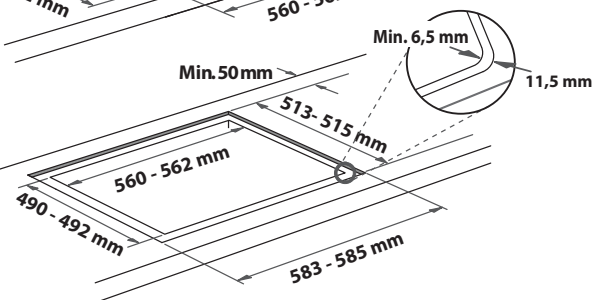
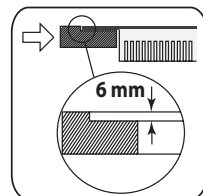
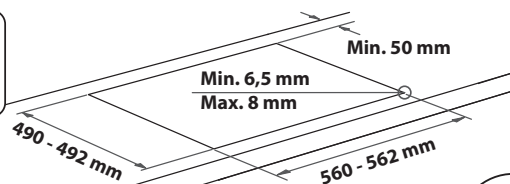
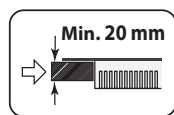
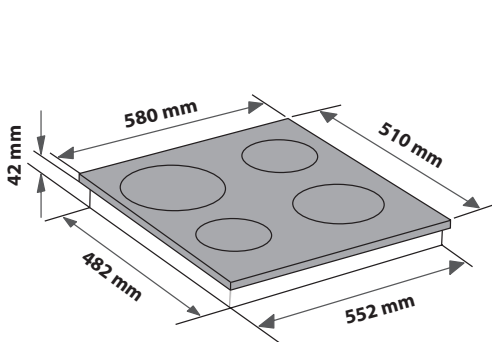
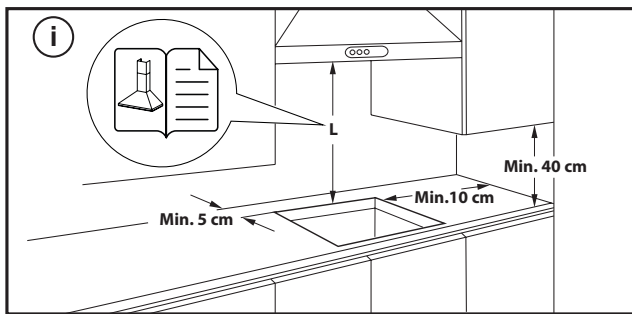


AUFSTELLEN DES KOCHFELDS

Nach dem elektrischen Anschluss (siehe Kapitel "Elektrischer Anschluss") die Befestigungsklammern an den dafür vorgesehenen Schlitzen an den Seitenflächen des Kochfeldes positionieren wie in der Abbildung gezeigt. Drücken Sie dann das Kochfeld in den Ausschnitt und prüfen Sie, dass das Glas flach und parallel zur Arbeitsplatte ist. Die Befestigungsklammern sind für jede Art von Arbeitsplattenmaterial (Holz, Marmor usw.) ausgelegt.



ABMESSUNGEN UND EINZUHALTENDE ABSTÄNDE



ENTFERNEN DES KOCHFELDES:

Um das Kochfeld auszubauen, trennen Sie es zunächst vom Stromnetz. Es wird dringend empfohlen, das darunter liegende Teil vom Backofen, der Schublade, dem Abscheider oder anderem zu befreien. Dadurch kann der Techniker auf den unteren Teil des Kochfeldes zugreifen, um die vier Klammern mit einem Schraubenzieher zu lösen, das Kochfeld anzuheben und es abzunehmen, ohne die Arbeitsplatte zu beschädigen

ELEKTRISCHER ANSCHLUSS

Der elektrische Anschluss muss erfolgen, bevor das Gerät an die Stromversorgung angeschlossen wird.

Das Netzkabel ist nicht in der Verpackung enthalten - denken Sie daran, Ihr eigenes Netzkabel vorzubereiten.

Der Einbau muss von einer Fachkraft, die über Kenntnisse zu den aktuellen Sicherheits- und Einbaubestimmungen verfügt, durchgeführt werden. Vor allem muss die Installation gemäß den Richtlinien der lokalen Elektrizitätsgesellschaft vorgenommen werden.

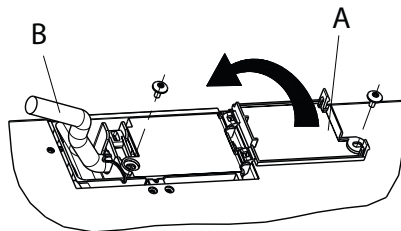
Stellen Sie sicher, dass die auf dem Typenschild unten am Gerät angegebene Spannung der Spannung bei Ihnen zuhause entspricht.

Die Erdung des Gerätes ist gesetzlich vorgeschrieben: Verwenden Sie nur Leitungen (einschließlich Erdungsleitungen) der entsprechenden Größe.

ANSCHLUSS AN DIE KLEMMENLEISTE

Für den elektrischen Anschluss ein Kabel vom Typ H05RR-F oder H05V2V2-F gemäß den Angaben der nachfolgenden Tabelle verwenden.

VERSORGUNGSSPANNUNG	KABEL ANZAHL x GRÖÖE
220-240V ~+ 	3 x 4 mm ²
230-240V ~+ 	3 x 4 mm ² (nur für Australien)
220-240V 3~+ 	4 x 1,5 mm ²
380-415V 3N~+ 	5 x 1,5 mm ²
380-425V 2N~+ 	4 x 1,5 mm ²



Bei der Installation muss ein allpoliger Trennschalter mit einer Kontaktöffnungsweite von mindestens 3 mm vorgesehen werden, mit dem das Gerät spannungslos gemacht werden kann.

ACHTUNG: Das Stromkabel muss lang genug sein, um das Kochfeld von der Arbeitsplatte entfernen zu können, und es muss so angebracht werden, dass Schäden oder Überhitzung durch Kontakt mit dem Sockel vermieden werden.

HINWEIS: Das gelb-grüne Erdungskabel muss mit der Klemme mit dem Erdungs-Symbol  verbunden werden und muss länger als die anderen Kabel sein.

- Etwa 70 mm des Netzkabels (**B**) abisolieren.
- Isolieren Sie etwa 10 mm der Kabel. Setzen Sie das Kabel in die Kabelklemme ein und schließen Sie die Litzen an die Klemmenleiste an, wie auf dem Anschlussplan neben der Klemmenleiste dargestellt ist.
- Das Netzkabel (**B**) mit der Kabelklemme fixieren.
- Schließen Sie den Klemmenleistendeckel (**A**) und ziehen Sie ihn mit der mitgelieferten Schraube fest.
- Montieren Sie nach dem elektrischen Anschluss das Kochfeld und haken Sie es in die Trägerfedern gemäß der Abbildung ein.

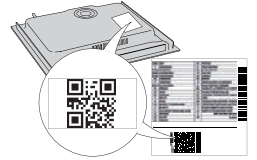

DANKE, DASS SIE SICH FÜR EIN WHIRLPOOL PRODUKT ENTSCIEDEN HABEN

Für eine umfassendere Unterstützung melden Sie Ihr Produkt bitte unter www.indesit.com/register.

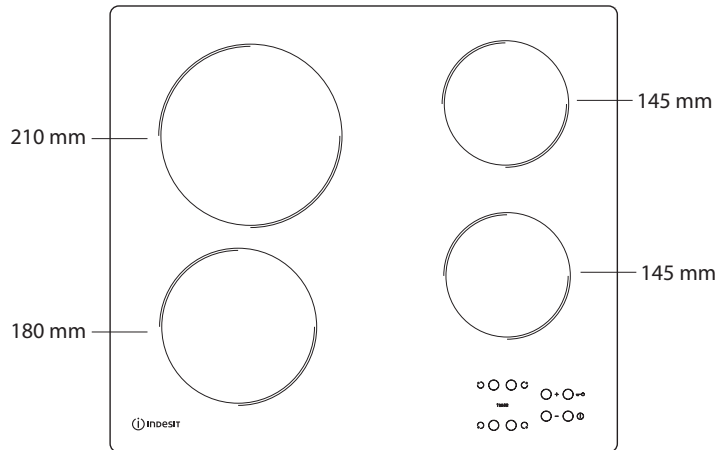


Lesen Sie vor Gebrauch des Geräts die Sicherheitshinweise aufmerksam durch.

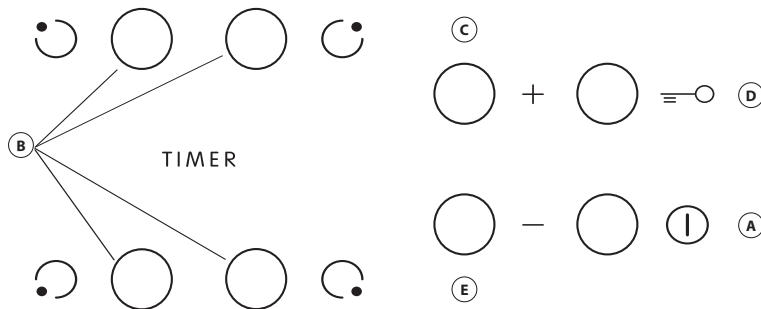
BITTE SCANNEN SIE DEN QR-CODE AUF IHREM GERÄT, UM WEITERE INFORMATIONEN ZU ERHALTEN



PRODUKTBESCHREIBUNG



BEDIENFELD



- A** Ein/Aus
- B** Auswahl von Kochzone und Timer
- C-E** Leistungsstufe erhöhen und verringern
- D** Tastensperre

ERSTE INBETRIEBNAHME DES GERÄTS

Bei der ersten Inbetriebnahme führt das Steuerpaneel etwa 1 Sekunde lang eine Funktionsüberprüfung durch. Danach schaltet es automatisch in die Funktion "Tastensperre".

Zum Deaktivieren der Funktion halten Sie die Taste "D" gedrückt. Es ertönt ein

akustisches Signal, die entsprechende Kontrollleuchte erlischt.

HINWEIS: Falls das Gerät sich zurücksetzt, wiederholen Sie den angegebenen Vorgang.

TÄGLICHER GEBRAUCH



DAS KOCHFELD EIN-/AUSSCHALTEN

Zum Einschalten des Kochfelds halten Sie die Taste "A" etwa 2 Sekunden lang gedrückt. Auf den 4 Kochzonen-Displays erscheint jeweils die Anzeige "0". Wird nun innerhalb von ca. 20 Sekunden keine der Kochzonen eingeschaltet, so schaltet sich die Kochmulde aus Sicherheitsgründen selbsttätig wieder aus.

EINSCHALTEN UND EINSTELLEN DER KOCHZONEN

Drücken Sie eine der Tasten "B", je nachdem welche Kochzone Sie benutzen möchten. Wählen Sie die Leistungsstufe durch Drücken der Tasten "E" oder "C". Die weiteren wählbaren Leistungsstufen reichen von 1 - 9. Drücken Sie gleichzeitig die Tasten "+/-", um alle Einstellungen zu löschen.

WICHTIG: Die Kontrollfunktion wird 10 Sekunden nach dem Wählen der gewünschten Leistungsstufe deaktiviert.

Zum Ändern der Leistungsstufe drücken Sie zuerst noch einmal den Wahlschalter "B", ändern Sie dann die Einstellung anhand der Tasten "E" oder "C".

TIMER

Zum Einschalten der Funktion Timer wählen Sie die gewünschte Kochzone und geben Sie die Leistungsstufe ein. Drücken Sie dann erneut die Taste für die Kochzone. Ein Leuchtpunkt erscheint auf dem Display der Kochzone, die durch den Timer geregelt werden soll. Auf den 2 Displays blinkt die Anzeige "00". Zum Ändern der Zeit von 1 bis 99 drücken Sie die Tasten "C" oder "E".

WICHTIG: Nach 10 Sekunden zeigen die Timer-Displays die Leistungsstufe der anderen Kochzonen an.

Drücken Sie zwei Mal die durch den Timer geregelte Kochzone, um die verbleibende Zeit anzuzeigen.

A FUNKTION

Mit dieser Funktion kann die Leistungsstufe der Kochzone automatisch von der höchsten Stufe (Stufe 9) auf die vom Benutzer für eine spätere Phase des Kochens gewählte Stufe reduziert werden.

Um diese Funktion zu aktivieren, drücken Sie zunächst die "+-Taste, wenn die Stufe 9 erreicht ist.

Das Display zeigt "A" und "9" blinkt abwechselnd mit geringer Helligkeit. Wählen Sie nun mit der Taste "–" die gewünschte Leistungsstufe (weniger als 9). "A" und die gewählte Stufe blinken abwechselnd mit geringer Helligkeit auf dem Display.

Die Funktion ist aktiviert, sobald "A" und die gewählte Stufe abwechselnd mit hoher Helligkeit auf dem Display blinken.

Sobald "A" nicht mehr auf dem Display zu sehen ist (die Funktion "A" schaltet sich je nach eingestellter Leistungsstufe nach einigen Minuten automatisch ab), wird der Garvorgang mit geringerer Leistung fortgesetzt und das Display zeigt nur noch die gewählte Leistungsstufe an.

N.B.: diese Funktion ist nicht möglich mit Level 9.

TASTENSPERRE

Zum Aktivieren der Tastensperre halten Sie die Taste "D" so lange gedrückt, bis über der Funktionstaste ein Leuchtpunkt aufleuchtet. Das Bedienfeld ist bis auf die Ausschaltfunktion gesperrt. Die Funktion bleibt selbst dann aktiviert, wenn das Kochfeld aus- und wieder eingeschaltet wird, und Sie können sie deaktivieren, indem Sie die Taste "D" erneut drücken, bis der leuchtende Punkt über der Funktionstaste erlischt.

Wenn das Kochfeld bei aktivierter Tastensperre ausgeschaltet ist, um das Kochfeld einzuschalten, deaktivieren Sie zunächst die Tastensperre, indem Sie die Taste "D" erneut drücken, bis der Punkt über der Funktionstaste erlischt.

Das Vorhandensein von Wasser, verschütteten Flüssigkeiten aus Töpfen oder anderen Gegenständen, die auf den Steuergeräten ruhen, kann versehentlich der Tastensperre.

RESTWÄRMEANZEIGE

Wenn die Kochzone ausgeschaltet wurde, leuchtet die Restwärmeanzeige "H" weiter oder blinkt abwechselnd mit der Anzeige "0", bis die Temperatur der Kochmulde unter den Sicherheitsgrenzwert gesunken ist.

WICHTIG: Zu den Sicherheitsfunktionen des Kochfelds zählt eine automatische Ausschaltfunktion. Längerer Gebrauch derselben Leistungsstufe löst ein automatisches Abschalten der Kochzone aus (so wird zum Beispiel eine Kochzone nach etwa 1 Stunde bei maximaler Leistung abgeschaltet).

WICHTIG: Um dauerhafte Schäden am Kochfeld zu vermeiden:

- Keine Kochtöpfe mit unebenem Boden verwenden.
- Keine Metalltöpfe mit Emailboden verwenden.
- Keine heißen Töpfe/Pfannen auf das Bedienfeld stellen.

Das Kochfeld ist darüber hinaus mit der Funktion "Automatische Abschaltung" ausgestattet, die Kochzone ausschaltet, wenn nach einer bestimmten Zeitspanne, die von der Leistungseinstellung selbst abhängt, keine Änderung der Leistungsstufe vorgenommen wird. In der Tabelle ist die Dauer der einzelnen Leistungsstufen angegeben.

LEISTUNGSSTUFE	AUTOMATISCHE ABSCHALTZEIT
0	30 Sekunden
1	10 Stunden
2	5 Stunden
3	5 Stunden
4	4 Stunden
5	3 Stunden
6	2 Stunden
7	2 Stunden
8	2 Stunden
9	1 Stunde

GARTABELLE

LEISTUNGSSTUFE		ZUBEREITUNGSART	EINSTELLUNG LEISTUNGSSTUFE (die Angabe ergänzt Ihre Erfahrung und Kochgewohnheiten)
Höchstleistung	9	Kochen	Ideal zum schnellen Erwärmen von Speisen bis zum schnellen Sieden von Wasser oder schnellen Erhitzen von Garflüssigkeiten.
	9 – 8	Glühend heiß	Ideal zum Anbraten, zum Anheizen, zum Braten von Tiefkühlprodukten, zum schnellen Kochen.
Hohe Leistungsstufe	8 – 7	Anbraten – Aufrechterhalten des Kochens – Grillen	Ideal zum Anbraten, Aufrechterhalten eines hohen Siedepunkts, Kochen und Grillen (kurze Dauer, 5-10 Minuten).
	7 – 6	Braten – Kochen – Grillen	Ideal zum Aufrechterhalten eines niedrigen Siedepunkts, zum Kochen und Grillen (mittlere Dauer, 10-20 Minuten), zum Vorheizen und Braten.
Mittlere Leistung	6 – 5	Schonendes Braten	Ideal zum Braten von Eiern und Omeletts.
	5 – 4	Kochen – Garen – Dünsten	Ideal für lange Kochzeiten (Reis, Saucen, Braten, Fisch) in Flüssigkeit (z.B. Wasser, Wein, Brühe, Milch) und zum Quellen von Teigwaren.
	4 – 3	Verdicken – Teigwaren quellen	
Niedrige Leistung	2 – 1	Warmhalten von Speisen – Risottos quellen	Ideal zum Warmhalten frisch gekochter Speisen (z. B. Soßen, Suppen, Minestrone), zum Quellen von Risotto und zum Warmhalten von Servierschalen.
Minimale Leistung	1	Auftauen	Ideal zum Auftauen von kleinen Produkten und zum sanften Schmelzen von Schokolade oder Butter.
Leistungsstufe Null	0	–	Kochfeld im Bereitschafts- oder Aus-Zustand (eventuell Ende der Restwärme, angezeigt durch ein "H").

REINIGUNG UND WARTUNG

Trennen Sie das Gerät von der Stromversorgung.

- Verwenden Sie keinen Dampfreiniger.
- Keine Scheuerschwämme oder Topfkratzer verwenden, da sie das Glas beschädigen können.
- Das (abgekühlte) Kochfeld nach jeder Verwendung reinigen, um Ablagerungen und Flecken von Speiseresten zu entfernen.

- Zucker oder stark zuckerhaltige Speisen können das Kochfeld beschädigen und müssen sofort entfernt werden.
- Salz, Zucker und Sand können die Glasoberfläche zerkratzen.
- Ein weiches Tuch, Küchenrolle oder ein spezielles Reinigungsmittel für Kochfelder verwenden (die Herstellerangaben beachten).
- Verschüttete Flüssigkeiten können dazu führen, dass sich die Töpfe bewegen oder dass diese vibrieren.
- Das Kochfeld nach der Reinigung gründlich trocknen.

Wenn das Kochfeld nicht korrekt funktioniert, ziehen Sie bitte zuerst Anleitung zur Fehlersuche zu Rate, bevor Sie den Kundenservice anrufen.

- Lesen und beachten Sie die Anweisungen im Abschnitt "Täglicher Gebrauch".
- Die Tabelle unten für Anweisungen einsehen.
- Trocknen Sie das Kochfeld gründlich nach der Reinigung.
- Leuchten nach Auswahl einer Kochzone das Symbol "F" oder "ER" und eine Zahl auf, verständigen Sie den zuständigen Kundendienst, und machen Sie die entsprechenden Angaben.
- Wenn der Fehlercode "F03", "ER03" oder "E02" lautet, versuchen Sie, den Fehler anhand der folgenden Anweisungen zu beheben:
 - Wenn die Fehlermeldung "E02" erscheint, vergewissern Sie sich bitte, dass Sie die Tasten nicht länger als 5 Sekunden gedrückt haben, dass sich kein Gegenstand auf der HMI-Fläche befindet und dass diese sauber und trocken ist - für die Reinigung beachten Sie bitte den Abschnitt Reinigung und Wartung.
 - Erscheint der Fehler "F03", versuchen Sie, das Kochfeld aus- und wieder einzuschalten.
 - Wenn der Fehler "F04" angezeigt wird, wenden Sie sich an den Kundendienst und teilen Sie ihm den angezeigten Code mit.

- Fällt das Kochfeld nach intensiver Nutzung aus, kann dies an einer zu hohen internen Temperatur liegen. Warten Sie einige Minuten, bis das Kochfeld wieder abgekühlt ist.
- Wenn die Heizung nicht ständig eingeschaltet ist, sondern sich zyklisch ein- und ausschaltet, auch wenn sich die Leistungsstufe auf dem Display nicht ändert, gehört dies zum normalen Betrieb des Kochfelds. Der Ein/Aus-Zyklus ermöglicht die Leistungsregulierung der Heizung und ist völlig normal. In einigen Fällen kann der Wärmeschutz die Heizung für eine gewisse Zeit abschalten, um Glasschäden zu vermeiden. Beispiele für solche Fälle sind: Langes Kochen bei hoher Leistung, Verwendung von Töpfen, die kleiner sind als das Heizelement, und keine Töpfe mit flachem Boden.
- Gibt das Kochfeld ein kurzes Geräusch von sich, ohne dass der Kunde eine Taste drückt, achten Sie bitte auf verschüttete Flüssigkeiten auf dem HMI. Bitte trocknen Sie das HMI und benutzen Sie das Kochfeld weiter. Wenn sich das Kochfeld automatisch ausgeschaltet hat, kann dies durch eine Flüssigkeit auf dem HMI verursacht werden. Bitte trocknen Sie das HMI und schalten Sie das Kochfeld wieder ein.

Falls die Störung nach den vorstehend beschriebenen Kontrollen weiter besteht, rufen Sie bitte die nächstliegende Kundendienststelle an.

KUNDENDIENST

Für eine umfassendere Unterstützung melden Sie Ihr Produkt bitte unter www.indesit.com/register an.

BEVOR SIE DEN KUNDENDIENST RUFEN:

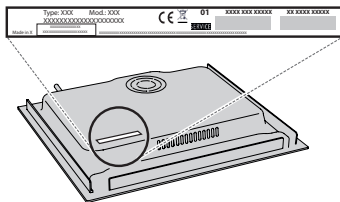
1. Versuchen Sie zuerst, die Störung anhand der in **LÖSEN VON PROBLEMEN** beschriebenen Ratschläge selbst zu beheben.
2. Schalten Sie das Gerät aus und wieder ein, um festzustellen, ob die Störung behoben ist.

FALLS DIE STÖRUNG NACH DEN VORSTEHEND BESCHRIEBENEN KONTROLLEN WEITER BESTEHT, WENDEN SIE SICH BITTE AN DEN NÄCHSTEN KUNDENSERVICE.

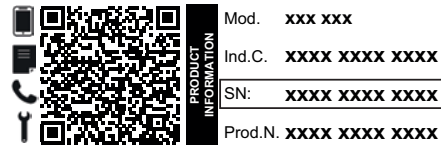
Rufen Sie die Nummer in dem Garantieheft an oder folgen Sie den Anweisungen auf der Internetseite www.indesit.com.

Wenn Sie den Kundendienst kontaktieren, immer die folgenden Angaben machen:

- Eine kurze Beschreibung der Störung,
- Gerätetyp und Modellnummer;



- die Seriennummer (Nummer nach dem Wort SN auf dem Typenschild unter dem Gerät). Die Seriennummer ist auch in den Unterlagen angegeben;



- Ihre vollständige Anschrift;
- Ihre Telefonnummer.

Im Reparaturfall wenden Sie sich bitte an den autorisierten Kundenservice (nur dann wird garantiert, dass Originalersatzteile verwendet werden und eine fachgerechte Reparatur durchgeführt wird).

Richtlinien, Standarddokumentation und zusätzliche Produktinformationen finden Sie unter:

- Verwenden Sie den QR-Code an Ihrem Gerät;
- Besuchen Sie unsere Website docs.indesit.eu;
- Alternativ können Sie **unseren Kundendienst kontaktieren** (siehe Telefonnummer im Garantieheft). Wird unser Kundendienst kontaktiert, bitte die Codes auf dem Typenschild des Produkts angeben.



CONSIGNES DE SÉCURITÉ

Télécharger le manuel d'instructions complet sur [http:// docs.indesit.eu](http://docs.indesit.eu) ou appeler le numéro de téléphone indiqué sur le livret de garantie.

Avant d'utiliser l'appareil, lire attentivement les consignes de sécurité. Conservez-les à portée pour consultation ultérieure.

Le présent manuel et l'appareil en question contiennent des consignes de sécurité importantes qui doivent être observées en tout temps. Le Fabricant décline toute responsabilité si les consignes de sécurité ne sont pas respectées, en cas de mauvaise utilisation de l'appareil, ou d'un mauvais réglage des commandes.

⚠ **AVERTISSEMENT:** Ne pas utiliser la table de cuisson si la surface est cassée ou fissurée - risque de choc électrique.

⚠ **AVERTISSEMENT:** Risque d'incendie: Ne rangez aucun objet sur les surfaces de cuisson.

⚠ **MISE EN GARDE:** La cuisson doit être supervisée. Une cuisson de courte durée doit être supervisée en tout temps.

⚠ **AVERTISSEMENT:** Une cuisson sans surveillance sur une table de cuisson contenant de la graisse ou de l'huile peut s'avérer dangereuse - risque d'incendie. Ne tentez JAMAIS d'éteindre un feu avec de l'eau: au contraire, éteignez l'appareil, puis couvrez la flamme, par exemple avec un couvercle ou une couverture ignifuge.

⚠ N'utilisez pas la table de cuisson comme surface de travail ou support. Gardez les vêtements et autres matières inflammables loin de l'appareil jusqu'à ce que toutes les composantes soient complètement refroidies - un incendie pourrait se déclarer.

⚠ Les enfants en bas âge (0-3 ans) doivent être tenus à l'écart de l'appareil. Les jeunes enfants (3-8 ans) doivent être tenus à l'écart de l'appareil sauf s'ils se trouvent sous surveillance constante. Les enfants âgés de 8 ans et plus, ainsi que les personnes présentant des capacités physiques, sensorielles ou mentales réduites, ou ne possédant ni l'expérience ni les connaissances requises, peuvent utiliser cet appareil seulement s'ils sont supervisés, ou si une personne responsable leur a expliqué l'utilisation sécuritaire et les dangers potentiels de l'appareil. Ne laissez pas les enfants jouer avec l'appareil. Le nettoyage et l'entretien ne doivent pas être exécutés par des enfants sans surveillance.

⚠ **AVERTISSEMENT:** L'appareil, ainsi que ses parties accessibles, peuvent atteindre température élevée lors de l'utilisation. Veillez à ne pas toucher les éléments chauffants. Les enfants de moins de 8 ans doivent être tenus à l'écart de l'appareil, à moins d'être sous surveillance constante.

USAGE AUTORISÉ

⚠ **MISE EN GARDE:** Cet appareil n'est pas conçu pour être utilisé avec un dispositif de mise en marche externe comme une minuterie ou un système de contrôle à distance.

⚠ Cet appareil est destiné à un usage domestique et peut aussi être utilisé dans les endroits suivants: cuisines pour le personnel dans les magasins, bureaux et autres

IMPORTANT - À LIRE ET À RESPECTER

environnements de travail ; dans les fermes; par les clients dans les hôtels, motels, et autres résidences similaires.

⚠ Aucune autre utilisation n'est autorisée (p. ex. pour chauffer des pièces).

⚠ Cet appareil n'est pas conçu pour un usage professionnel. N'utilisez pas l'appareil en extérieur.

INSTALLATION

⚠ Deux personnes minimum sont nécessaires pour déplacer et installer l'appareil - risque de blessure. Utilisez des gants de protection pour le déballage et l'installation de l'appareil - vous risquez de vous couper.

⚠ L'installation, incluant l'alimentation en eau (selon le modèle), et les connexions électriques, ainsi que les réparations, doivent être exécutées par un technicien qualifié. Ne procédez à aucune réparation ni à aucun remplacement de pièce sur l'appareil autre que ceux spécifiquement indiqués dans le guide d'utilisation. Gardez les enfants à l'écart du site d'installation. Après avoir déballé l'appareil, assurez-vous qu'il n'a pas été endommagé pendant le transport. En cas de problème, contactez le détaillant ou le service Après-vente le plus proche. Une fois installé, gardez le matériel d'emballage (sacs en plastique, parties en polystyrène, etc.) hors de la portée des enfants - ils pourraient s'étouffer. L'appareil ne doit pas être branché à l'alimentation électrique lors de l'installation - vous pourriez vous électrocuter. Au moment de l'installation, assurez-vous que le câble d'alimentation n'est pas endommagé par l'appareil - risque d'incendie ou de choc électrique. Allumez l'appareil uniquement lorsque l'installation est terminée.

⚠ Découpez le contour du meuble avant d'y insérer l'appareil, et enlevez soigneusement tous les copeaux et la sciure de bois.

⚠ Si l'appareil n'est pas installé au-dessus d'un four, un panneau séparateur (non compris) doit être installé dans le compartiment sous l'appareil.

ALIMENTATION ÉLECTRIQUE

⚠ Il doit être possible de débrancher l'appareil de l'alimentation électrique en retirant la fiche de la prise de courant si elle est accessible, ou à l'aide d'un interrupteur multipolaire en amont de la prise de courant, conformément aux normes de sécurité électrique nationales.

⚠ Utilisez pas de rallonge, de prises multiples ou d'adaptateurs. Une fois l'installation terminée, l'utilisateur ne devra plus pouvoir accéder aux composantes électriques. N'utilisez pas l'appareil si vous êtes mouillé ou si vous êtes pieds nus. N'utilisez pas l'appareil si le câble d'alimentation ou la prise de courant est endommagé(e), si l'appareil ne fonctionne pas correctement, ou s'il a été endommagé ou est tombé.

⚠ Une installation utilisant une prise de câble électrique n'est pas autorisée sauf si le produit en est déjà équipé par le Fabricant.

⚠ Si le câble d'alimentation est endommagé, il doit être remplacé avec un câble identique par le fabricant, un


représentant du Service Après-vente, ou par toute autre personne qualifiée - vous pourriez vous électrocuter.

NETTOYAGE ET ENTRETIEN

⚠ AVERTISSEMENT: Assurez-vous que l'appareil est éteint et débranchez de l'alimentation électrique avant d'effectuer le nettoyage ou l'entretien; n'utilisez jamais un appareil de nettoyage à vapeur - risque de choc électrique.

⚠ Utilisez en aucun cas de produits abrasifs ou corrosifs, de produits chlorés ou de tampons à récurer.

MISE AU REBUT DES MATÉRIAUX D'EMBALLAGE


Les matériaux d'emballage sont entièrement recyclables comme l'indique le symbole de recyclage .

Les différentes parties de l'emballage doivent donc être jetées de manière responsable et en totale conformité avec les réglementations des autorités locales régissant la mise au rebut de déchets.

MISE AU REBUT DES APPAREILS ÉLECTROMÉNAGERS

Cet appareil est fabriqué à partir de matériaux recyclables ou réutilisables. Mettez-le au rebut en vous conformant aux réglementations locales en matière d'élimination des déchets. Pour toute information supplémentaire sur le traitement et le recyclage des appareils électroménagers, contactez le service local compétent, le service de collecte des déchets ménagers ou le magasin où vous avez acheté l'appareil. Cet appareil est marqué comme étant conforme à la Directive européenne 2012/19/EU, aux réglementations relatives aux Déchets d'équipement électrique et électronique (DEEE) et relatives aux Déchets d'équipement électrique et électronique de 2013 (tels qu'amendés).

En vous assurant que l'appareil est mis au rebut correctement, vous pouvez aider à éviter d'éventuelles conséquences négatives sur l'environnement et la santé humaine.

Le symbole  sur le produit ou sur la documentation qui l'accompagne indique qu'il ne doit pas être traité comme un déchet domestique, mais doit être remis à un centre de collecte spécialisé pour le recyclage des appareils électriques et électroniques.



CONSEILS RELATIFS À L'ÉCONOMIE D'ÉNERGIE

Tirez le meilleur de la chaleur résiduelle de votre plaque de cuisson en l'éteignant quelques minutes avant de terminer la cuisson.

La base de votre casserole ou de votre poêle couvre totalement la plaque chaude; un récipient plus petit que la plaque chaude provoquera un gaspillage d'énergie.

Couvrez vos casseroles et poêles avec des couvercles parfaitement ajustés et utilisez le moins d'eau que possible. La cuisson à découvert augmentera considérablement la consommation d'énergie.

Utilisez uniquement des casseroles et poêles à fond plat.

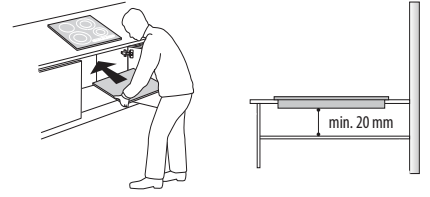
DÉCLARATION DE CONFORMITÉ

Cet appareil respecte les conditions requises d'écoconception de la Réglementation européenne 66/2014 et des Réglementations en matière d'écoconception pour les produits liés à l'énergie et les informations énergétiques (Amendement) (Sortie de l'UE) 2019, conformément à la norme européenne EN 60350-2.



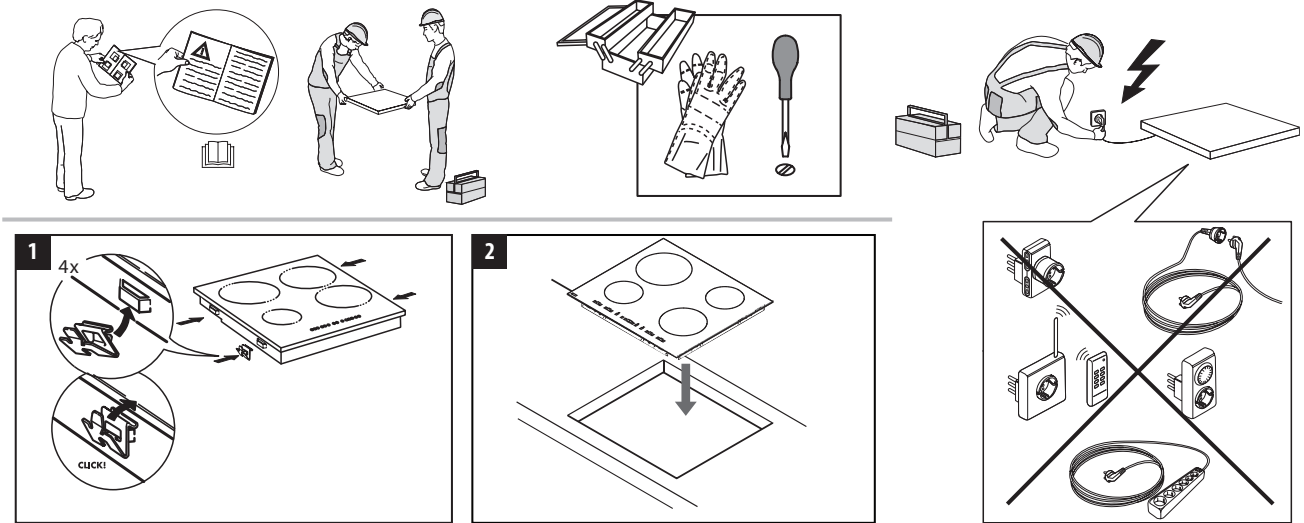
INSTALLATION

- La table de cuisson doit être installée dans un plan de travail sur au moins 20 mm de profondeur.
- Rien ne doit encombrer l'espace entre la table de cuisson et le four (traverses, supports, etc.).
- Assurez-vous que le câble électrique est suffisamment long pour permettre une installation correcte.
- La distance entre la partie inférieure de la table de cuisson vitrocéramique et le meuble ou le panneau de séparation doit être d'au moins 20 mm.
- Pour des dimensions et une installation encastrées, consultez la photographie dans le présent paragraphe.
- Une distance minimale doit être maintenue entre la table de cuisson et la hotte au-dessus d'elle. Consultez le manuel de l'utilisateur de la hotte pour plus d'informations.
- Après avoir nettoyé la surface de la table de cuisson, installez le joint fourni autour de celle-ci (sauf s'il est déjà installé).
- **N'installez pas la table de cuisson à côté d'un lave-vaisselle ou d'un lave-linge, afin d'éviter que les circuits électriques ne soient endommagés par la vapeur ou la moisissure.**
- Si un four est installé sous la table de cuisson, assurez-vous qu'il est équipé d'un système de refroidissement. Si la température des circuits électroniques dépasse la température maximale autorisée, la table de cuisson s'éteindra automatiquement; dans ce cas, laissez refroidir les circuits électriques pendant quelques minutes avant de rallumer la table de cuisson.

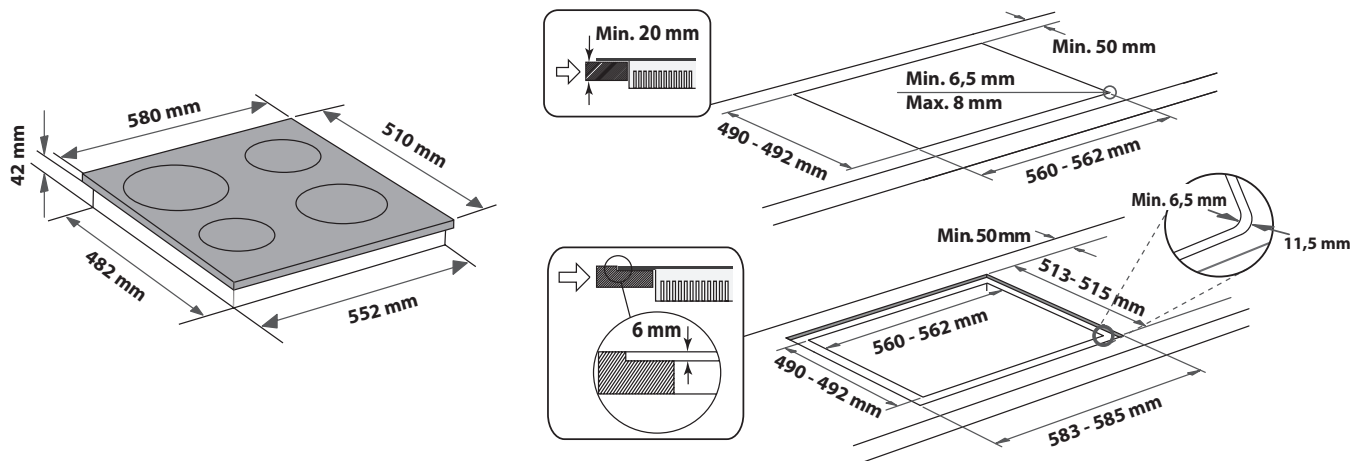
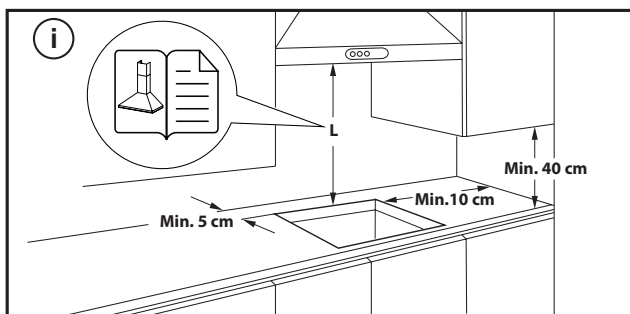


MISE EN PLACE DE LA TABLE DE CUISSON

Après le branchement électrique (voir le chapitre "Branchement électrique"), placez chaque clip de fixation sur les fentes dédiées sur les côtés latéraux de la table de cuisson comme indiqué sur la photographie. Puis poussez la table de cuisson à l'intérieur de la découpe et vérifiez que le verre est plat et parallèle au plan de travail. Les clips de fixation sont conçus pour toute sorte de matériau de plan de travail (bois, marbre, etc.).



DIMENSIONS ET DISTANCES A RESPECTER



DÉPOSE DE LA TABLE DE CUISSON:

Pour enlever la table de cuisson, débranchez-la de l'alimentation électrique. Il est fortement recommandé de libérer la partie située en dessous de tout four, tiroir, séparateur ou autre. Cela permet au technicien d'accéder à la partie inférieure de la table de cuisson pour défaire les quatre clips avec un tournevis, de lever la table de cuisson et de l'enlever, en évitant tout dommage au plan de travail.

RACCORDEMENT ÉLECTRIQUE

Le branchement électrique doit être réalisé avant de brancher l'appareil au réseau d'alimentation.

Le câble électrique n'est pas inclus dans l'emballage - rappelez-vous de préparer votre propre câble électrique.




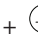
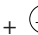
L'installation doit être effectuée par un personnel qualifié qui connaît les réglementations actuelles relatives à la sécurité et à l'installation. En particulier, l'installation doit être réalisée conformément aux réglementations de la société locale de distribution d'électricité.

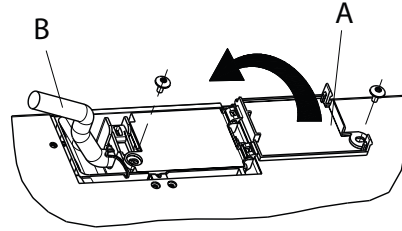
Assurez-vous que la tension spécifiée sur la plaque signalétique située au bas de l'appareil correspond à celle de votre logement.

La mise à la terre de l'appareil est obligatoire aux termes de la loi: utilisez uniquement des conducteurs (y compris le fil de terre) de section appropriée.

CONNEXION AU BORNIER

Pour le branchement électrique, utilisez un câble de type H05RR-F ou H05V2V2-F, comme indiqué dans le tableau ci-dessous.

TENSION D'ALIMENTATION	CONDUCTEURS NOMBRE x SECTION
220-240V ~ + 	3 x 4 mm ²
230-240V ~ + 	3 x 4 mm ² (pour l'Australie uniquement)
220-240V 3~ + 	4 x 1,5 mm ²
380-415V 3N~ + 	5 x 1,5 mm ²
380-425V 2N~ + 	4 x 1,5 mm ²



L'appareil doit être raccordé au secteur à l'aide d'un dispositif à coupure omnipolaire ayant une distance de 3 mm au moins entre les contacts.

IMPORTANT : Le cordon d'alimentation doit être suffisamment long pour que la table de cuisson puisse être retirée du plan de travail et doit être positionné de façon à écarter toute possibilité de dommage ou de surchauffe causée par un contact avec la base de l'appareil.

REMARQUE : le fil de terre jaune-vert doit être branché à la borne portant le symbole  et doit être plus long que les autres fils.

- Dénudez environ 70 mm de la gaine du cordon d'alimentation (B).
- Retirez environ 10 mm de la gaine des fils. Enfoncez ensuite le cordon d'alimentation dans le collier de serrage et connectez les fils au bornier en suivant les indications du schéma à côté dudit bornier.
- Fixez le cordon d'alimentation (B) à l'aide du collier de serrage.
- Fermez le bornier avec le couvercle (A) en le fixant avec la vis spéciale.
- Après avoir terminé les branchements électriques, introduisez la table de cuisson par le haut et accrochez-la aux ressorts de support, comme illustré sur l'image.



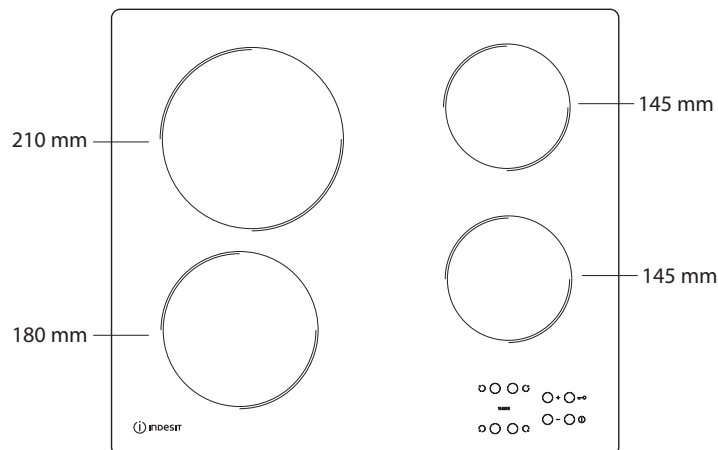
MERCI D'AVOIR CHOISI UN PRODUIT WHIRLPOOL
Afin de profiter d'une assistance plus complète, veuillez enregistrer votre produit sur www.indesit.com/register.

VEUILLEZ SCANNER LE QR CODE SUR VOTRE APPAREIL POUR OBTENIR PLUS D'INFORMATIONS

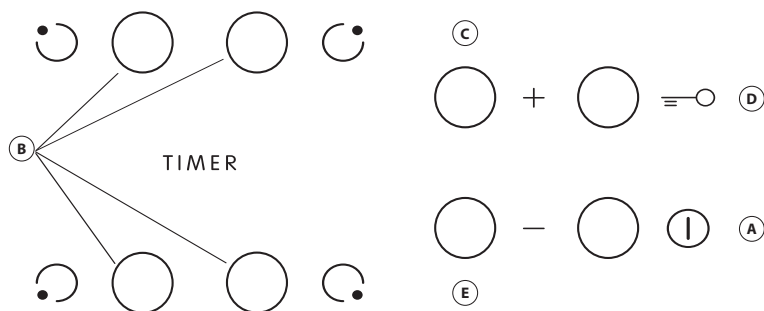


Lisez attentivement les consignes de sécurité avant d'utiliser l'appareil.

DESCRIPTION DU PRODUIT



PANNEAU DE COMMANDE



- A** Marche/Arrêt
- B** Sélection de la zone de cuisson et du réglage de la minuterie
- C-E** Augmentation et réduction du réglage de chaleur
- D** Verrouillage du panneau de commande

PREMIÈRE UTILISATION

A la première installation le bandeau effectuera un contrôle fonctionnel (environ 1 seconde) et se positionnera ensuite automatiquement sur la fonction "Verrouillage du panneau de commande".

Maintenir la pression sur le bouton "D" pour désactiver la fonction, le plan émettra un signal acoustique, le voyant de référence s'éteindra.

REMARQUE: En cas de reset du produit répéter la procédure indiquée.

USAGE QUOTIDIEN



MISE EN MARCHÉ/ARRÊT DE LA TABLE DE CUISSON

Pour mettre la table de cuisson sous tension, appuyez 2 secondes sur le bouton "A". "0" apparaît à l'afficheur des 4 foyers de cuisson. Si aucun des foyers de cuisson n'est activée durant les 20 secondes qui suivent, la table de cuisson s'éteint automatiquement pour des raisons de sécurité.

ACTIVATION ET RÉGLAGE DES FOYERS

Appuyez sur l'un des boutons "B" correspondant au foyer que vous souhaitez utiliser. Sélectionnez la puissance désirée en appuyant sur les boutons "E" ou "C". Les allures de la table de cuisson vont de 1 à 9. Appuyez sur les boutons "+/-" en même temps pour effacer tous les réglages.

REMARQUE IMPORTANTE: le contrôle est désactivé 10 secondes après que le niveau de cuisson a été sélectionné.

Pour modifier la puissance de cuisson, appuyez d'abord sur le bouton de sélection "B", puis modifiez le réglage à l'aide des boutons "E" ou "C".

TIMER (MINUTEUR)

Pour configurer la fonction Minuteur, sélectionnez un foyer et indiquez le niveau de puissance, appuyez de nouveau sur la touche du foyer: un point lumineux s'allume sur l'afficheur du foyer à temporiser. Les 2 afficheurs indiquent "00" clignotant appuyez les boutons "C" ou "E" pour modifier le temps de 1 à 99.

REMARQUE IMPORTANTE: au bout de 10 secondes, les afficheurs du minuteur visualiseront le niveau de puissance des autres foyers. Pour visualiser le temps qui reste, appuyez deux fois sur le foyer temporisé.

FONCTION A

Cette fonction permet de diminuer automatiquement le niveau de puissance de la zone de cuisson de la valeur la plus élevée (niveau 9) à celle sélectionnée par l'utilisateur pour une phase ultérieure de cuisson. Pour activer cette fonction, appuyez sur la touche "+" lorsque vous atteignez le niveau 9.

L'écran affiche "A" et "9" clignote en alternance avec une faible luminosité.

À ce stade, choisissez le niveau de puissance souhaité (moins de 9) avec la touche “-”.

“A” et le niveau sélectionné clignotent en alternance avec une faible luminosité sur l'écran.

La fonction est activée une fois que “A” et le niveau sélectionné clignotent en alternance avec une luminosité élevée sur l'écran.

Une fois que “A” n'est plus visible sur l'écran (la fonction “A” se coupe automatiquement après plusieurs minutes, en fonction du niveau de puissance établi), le processus de cuisson se poursuit avec une puissance inférieure et l'écran n'affiche que le niveau de puissance sélectionné.

N.B.: cette fonction n'est pas possible avec le niveau 9.

VERROUILLAGE DU PANNEAU DE COMMANDE

La fonction Verrouillage du panneau de commande est activée en appuyant sur le bouton “D” jusqu'à ce que le voyant rouge s'allume au-dessus du bouton de la fonction. Le panneau de commande est verrouillé, à l'exception de la fonction Arrêt. Cette fonction reste activée même si vous éteignez, puis rallumez la plaque de cuisson; vous pouvez la désactiver en appuyant de nouveau sur la touche “D” jusqu'à ce que le point au-dessus de la fonction disparaisse.

Lorsque la table de cuisson est éteinte avec le verrouillage du panneau de commande activé, pour allumer la table de cuisson, il faut tout d'abord désactiver la fonction de verrouillage du panneau de commande en appuyant sur le bouton “D” jusqu'à ce que le point au-dessus de la touche de fonction s'éteigne.

La présence d'eau, d'éclaboussures provenant des casseroles, ou un objet appuyé sur les commandes peut accidentellement activer ou désactiver la fonction Verrouillage du panneau de commande.

INDICATEUR DE CHALEUR RÉSIDUELLE

Lorsque le foyer de cuisson a été mis hors tension, l'indicateur de chaleur résiduelle “H” reste allumé ou clignote en alternance avec “0” tant que la température dépasse les limites de sécurité.

TABLEAU DE CUISSON

NIVEAU DE PUISSANCE		TYPE DE CUISSON	UTILISATION DU NIVEAU (valeur indicative pouvant être adaptée en fonction de l'expérience et des habitudes de chacun)
Puissance maximale	9	Bouillir	Idéal pour augmenter rapidement la température des aliments, notamment pour faire bouillir de l'eau ou chauffer des liquides de cuisson rapidement.
	9 – 8	Grill	Idéal pour faire dorer, lancer une cuisson, faire frire des aliments surgelés, porter rapidement à ébullition.
Puissance élevée	8 – 7	Dorer – maintenir l'ébullition – griller	Idéal pour faire dorer, maintenir une ébullition vive, cuire et griller (courte durée, 5-10 minutes).
	7 – 6	Frire – cuire – griller	Idéal pour maintenir une ébullition légère, cuire et griller (durée moyenne, 10-20 minutes), préchauffer et frire.
Puissance moyenne	6 – 5	Friture douce	Idéal pour faire cuire des œufs, des omelettes.
	5 – 4	Cuire – faire frémir – cuire à l'étouffée	Idéal pour une cuisson prolongée (riz, sauces, rôtis, poisson) avec des liquides (par ex. eau, vin, bouillon, lait), pour préparer la sauce des pâtes.
	4 – 3	Épaissir – Préparer la sauce des pâtes	
Basse puissance	2 – 1	Garder les aliments au chaud – préparer un risotto	Idéal pour maintenir les aliments juste cuits au chaud (par exemple sauces, soupes et minestrone), préparer du risotto et maintenir au chaud les plats.
Puissance minimum	1	Décongélation	Idéale pour ramollir le beurre, faire fondre délicatement le chocolat, décongeler des aliments de petite taille.
Puissance zéro	0	–	La table de cuisson est en veille ou éteinte (la présence de chaleur résiduelle à la fin de la cuisson est indiquée par un “H”).

NETTOYAGE ET ENTRETIEN

Débranchez l'appareil de l'alimentation électrique.

- N'utilisez pas d'appareil de nettoyage à vapeur.
- N'utilisez pas d'éponges abrasives ni de tampons à récurer car ils peuvent endommager le verre.
- Après chaque utilisation, laissez refroidir la table de cuisson et nettoyez-la de façon à éliminer les résidus d'aliments incrustés et les taches.

REMARQUE IMPORTANTE: Pour des raisons de sécurité, la table de cuisson est équipée d'une fonction d'arrêt automatique. Une utilisation prolongée du même interrupteur de réglage de l'allure chauffe éteint automatiquement la zone de cuisson (par exemple, après 1 heure environ à la puissance maximum, la zone de cuisson sera désactivée).

IMPORTANT: Pour éviter d'endommager la table de cuisson de manière permanente:

- n'utilisez pas de récipients dont les fonds ne sont pas plats;
- n'utilisez pas de récipients métalliques avec un fond émaillé;
- ne placez pas de récipients/casseroles chaudes sur le panneau de commande.

La table de cuisson est également équipée de la fonction “arrêt automatique” qui coupe la zone de cuisson si aucune modification du niveau de puissance n'est effectuée après un laps de temps spécifique qui dépend du réglage de puissance lui-même. Dans le tableau figure la durée de chaque niveau de puissance.

NIVEAU DE PUISSANCE	TEMPS D'ARRÊT AUTOMATIQUE
0	30 secondes
1	10 heures
2	5 heures
3	5 heures
4	4 heures
5	3 heures
6	2 heures
7	2 heures
8	2 heures
9	1 heure

GUIDE DE DÉPANNAGE

En cas de mauvais fonctionnement de la table de cuisson, avant de contacter le Service Après-vente, consultez le chapitre Guide de dépannage afin d'identifier le problème.

- Il convient de lire et de suivre les instructions indiquées dans la section "Usage quotidien".
- Contrôlez que l'alimentation électrique n'a pas été coupée.
- Séchez soigneusement la table de cuisson après l'avoir nettoyée.
- Si un foyer a été sélectionné et que "F" ou "ER" suivi d'un numéro est visualisé sur l'afficheur, contactez le Service après-vente.
- Si le code inconvenient est "F03", "ER03" ou "E02", tentez de le résoudre en suivant les instructions ci-après :
 - Si l'erreur "E02" apparaît, assurez-vous de ne pas avoir appuyé pendant plus de 5 secondes sur une touche, qu'aucun objet ne se trouve sur la zone de l'IHM et qu'elle est propre et sèche - lors du nettoyage, merci de suivre les instructions du paragraphe Nettoyage et Entretien.
 - Si l'erreur "F03" apparaît, tentez de couper la table de cuisson, puis de la rallumer.
 - Si l'erreur "F04", contactez le Service après-vente et communiquez-leur le code qui est affiché.

- Si après avoir fonctionné pendant un laps de temps relativement long, la table de cuisson s'arrête, cela signifie que la température interne de celle-ci est trop élevée. Laissez refroidir la table de cuisson pendant quelques minutes.
- Si le chauffage n'est pas continuellement allumé mais s'allume et s'éteint de manière cyclique même si le niveau de puissance sur l'écran ne change pas, cela fait partie du fonctionnement normal de la table de cuisson. Le cycle marche/arrêt permet la régulation de puissance du chauffage et cela est totalement normal. Dans certains cas, une protection thermique pourrait couper le chauffage quelque temps pour éviter des dommages au verre. Des exemples de ces cas sont les suivants: une cuisson longue à un niveau de puissance élevé, en utilisant des casseroles plus petites que l'élément chauffant et des casseroles sans fond plat.
- Si la table de cuisson émet un bref signal sans que le client n'appuie sur une touche, faites attention aux éventuelles éclaboussures de liquide sur l'IHM. Essayez l'IHM et continuez d'utiliser la table de cuisson. Si la table de cuisson a été automatiquement coupée, cela peut être provoqué par la présence de liquide sur l'IHM. Essayez l'IHM et rallumez la table de cuisson.

Si le problème persiste après ces vérifications, contactez votre Service Après-vente le plus proche.

SERVICE APRÈS-VENTE

Afin de profiter d'une assistance complète, veuillez enregistrer votre appareil sur www.indesit.com/register.

AVANT D'APPELER LE SERVICE APRÈS-VENTE:

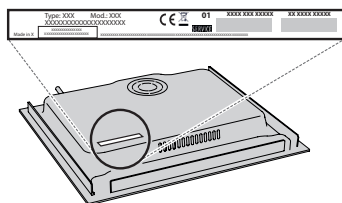
1. Vérifiez en premier lieu si vous pouvez remédier au problème à l'aide des suggestions de la section **GUIDE DE DÉPANNAGE**.
2. Éteignez puis rallumez l'appareil pour voir si le problème persiste.

SI LE PROBLÈME PERSISTE TOUJOURS APRÈS LES VÉRIFICATIONS PRÉCÉDENTES, CONTACTER LE SERVICE APRÈS-VENTE LE PLUS PRÈS.

Pour obtenir du support, appeler le numéro disponible dans le livret de garantie ou suivez les consignes sur le site Web www.indesit.com.

Lorsque vous contactez notre Service Après-vente, toujours préciser:

- une brève description du problème;
- le type et le modèle exact de l'appareil;

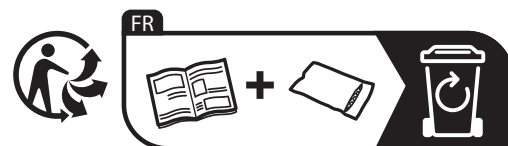


- le numéro de série (numéro après le mot SN sur la plaque signalétique située sous l'appareil). Le numéro de série est également indiqué dans la documentation;



- votre adresse complète ;
- votre numéro de téléphone.

Si des réparations sont nécessaires, contactez un service après-vente agréé (vous aurez ainsi la garantie que les pièces défectueuses seront remplacées par des pièces d'origine et que la réparation de votre appareil sera effectuée correctement).



Vous trouverez les politiques, la documentation standard et des informations supplémentaires sur le produit :

- En utilisant le QR Code dans votre appareil;
- En visitant notre site Internet docs.indesit.eu;
- Vous pouvez également **contacter notre service après-vente** (voir numéro de téléphone dans le livret de garantie). Lorsque vous contactez notre Service après-vente, veuillez indiquer les codes figurant sur la plaque signalétique de l'appareil.



Download de complete handleiding op <http://docs.indesit.eu> of bel het telefoonnummer dat in het garantieboekje staat.

Lees voordat u het apparaat gaat gebruiken deze veiligheidsinstructies. Houd ze binnen handbereik voor toekomstige raadpleging.

Deze instructies en het apparaat zelf zijn voorzien van belangrijke veiligheidsaanwijzingen, die te allen tijde moeten worden opgevolgd. De fabrikant kan niet aansprakelijk gesteld worden voor schade die het gevolg is van het niet opvolgen van deze veiligheidsinstructies, oneigenlijk gebruik van het apparaat of een foute instelling van de regelknoppen.

⚠ **WAARSCHUWING:** Als het oppervlak van de kookplaat gebarsten is, gebruik het apparaat niet - risico voor elektrocutie.

⚠ **WAARSCHUWING:** Brandgevaar: leg geen voorwerpen op de kookoppervlakken.

⚠ **VOORZICHTIG:** Het bereidingsproces moet onder toezicht plaatsvinden. Een kort bereidingsproces moet onder voortdurend toezicht plaatsvinden.

⚠ **WAARSCHUWING:** Onbewaakt bereiden op een kookfornuis met vet of olie kan gevaarlijk zijn - brandgevaar. Tracht NOOIT een brand te blussen met water: schakel daarentegen het apparaat uit en bedek vervolgens de vlam, bijv. met een deksel of een blusdeken.

⚠ Gebruik de kookplaat niet als werkblad of als steun. Houd kleding of andere brandbare materialen uit de buurt van het apparaat tot alle onderdelen van het apparaat helemaal zijn afgekoeld - brandgevaar.

⚠ Kleine kinderen (0-3 jaar) moeten uit de buurt van het apparaat gehouden worden. Jonge kinderen (3-8 jaar) moeten uit de buurt van het apparaat gehouden worden, tenzij ze constant onder toezicht staan. Kinderen vanaf 8 jaar en personen met verminderde fysieke, sensorische of mentale vermogens of gebrek aan ervaring en kennis, mogen dit apparaat gebruiken indien ze onder toezicht staan of instructies hebben ontvangen over veilig gebruik en de mogelijke gevaren ervan begrijpen. Kinderen mogen niet spelen met het apparaat. De reiniging en het onderhoud mogen niet door kinderen worden uitgevoerd zonder toezicht.

⚠ **WAARSCHUWING:** Het apparaat en de toegankelijke onderdelen kunnen heet worden tijdens het gebruik. Wees voorzichtig dat u de verwarmingselementen niet aanraakt. Kinderen jonger dan 8 jaar moeten uit de buurt van het apparaat worden gehouden, tenzij er voortdurend toezicht is.

TOEGESTAAN GEBRUIK

⚠ **VOORZICHTIG:** Het apparaat is niet geschikt voor inwerkingstelling met een externe schakelinrichting zoals een timer of een afzonderlijk systeem met afstandsbediening.

⚠ Dit apparaat is bedoeld voor gebruik in huishoudelijke en gelijkaardige toepassingen zoals: personeelskeukens in winkels, kantoren en overige werkomgevingen; landbouwbedrijven; klanten in hotels, motels en andere residentiële omgevingen.

⚠ Elk ander gebruik is verboden (bijv. als kamerverwarming).

⚠ Dit apparaat is niet voor professioneel gebruik bestemd. Gebruik het apparaat niet buiten.

INSTALLATIE

⚠ Het apparaat moet verplaatst en geïnstalleerd worden door twee of meer personen - risico voor verwondingen. Gebruik beschermende handschoenen om uit te pakken en te installeren - risico voor snijwonden.

⚠ Laat de installatie, m.i.v. de aansluiting op het waternet (indien van toepassing) en de elektrische aansluitingen en reparaties door een gekwalificeerd technicus verrichten. Repareer of vervang geen enkel onderdeel van het apparaat, behalve als dit expliciet aangegeven wordt in de gebruikershandleiding. Houd kinderen buiten bereik van de installatieplek. Controleer na het uitpakken van het apparaat of het tijdens het transport geen beschadigingen heeft opgelopen. Neem in geval van twijfel contact op met uw leverancier of de dichtstbijzijnde Klantenservice. Bewaar het verpakkingsmateriaal (plastic, piepschuim, enz.) na de installatie buiten bereik van kinderen - verstikkingsgevaar. Het apparaat moet worden losgekoppeld van het elektriciteitsnet voordat u installatiewerkzaamheden uitvoert - risico voor elektrocutie. Tijdens de installatie dient u ervoor te zorgen dat het apparaat de voedingskabel niet beschadigt - risico voor brand of elektrocutie. Het apparaat alleen activeren als de installatie is voltooid.

⚠ Voer eerst alle zaagwerkzaamheden uit en verwijder alle spaanders en zaagresten voordat u het apparaat plaatst.

⚠ Al het apparaat niet boven een oven wordt geïnstalleerd, moet een (niet bijgeleverd) scheidingspaneel worden geïnstalleerd in het compartiment onder het apparaat.

ELEKTRISCHE WAARSCHUWINGEN

⚠ Het moet mogelijk zijn het apparaat van het elektriciteitsnet af te koppelen door de stekker uit het stopcontact te halen of via een meerpolige netschakelaar die bovenstrooms van het stopcontact is geplaatst conform de bedradingsvoorschriften en het apparaat dient geaard te zijn conform de nationale veiligheidsnormen voor elektriciteit.

⚠ Gebruik geen verlengsnoeren, meervoudige stopcontacten of adapters. Als de installatie voltooid is, mogen de elektrische onderdelen niet meer toegankelijk zijn voor de gebruiker. Gebruik het apparaat niet wanneer u natte voeten hebt of blootsvoets bent. Gebruik het apparaat niet als de stroomkabel of de stekker beschadigd is, als het apparaat niet goed werkt of als het beschadigd of gevallen is.

⚠ Installatie met behulp van een netsnoerstekker is niet toegestaan, tenzij het product reeds is uitgerust met de door de fabrikant geleverde stekker.


⚠ Als het netsnoer beschadigd is, moet het vervangen worden door de fabrikant, een servicevertegenwoordiger of gekwalificeerd personeel om risico's te voorkomen - risico voor elektrocutie.

REINIGEN EN ONDERHOUD

⚠ **WAARSCHUWING:** Het apparaat moet worden losgekoppeld van het elektriciteitsnet voordat u onderhoudswerkzaamheden uitvoert; gebruik geen stoomreinigers - risico van elektrocutie.

⚠ Gebruik geen schurende of bijtende producten, reinigingsmiddelen op chloorbasis of schuursponsjes.

VERWERKING VAN DE VERPAKKING

De verpakking kan volledig gerecycled worden, zoals door het recyclingssymbool  wordt aangegeven.

De diverse onderdelen van de verpakking mogen daarom niet bij het gewone huisvuil worden weggegooid, maar moeten worden afgevoerd volgens de plaatselijke voorschriften voor afvalverwerking.

AFDANKEN VAN HUISHOUDELIJKE APPARATUUR

Dit apparaat is vervaardigd van recyclebaar of herbruikbaar materiaal. Dank het apparaat af in overeenstemming met plaatselijke milieuvoorschriften voor afvalverwerking. Voor meer informatie over behandeling, terugwinning en recycling van huishoudelijke apparaten kunt u contact opnemen met uw plaatselijke instantie, de vuilnisophaaldienst of de winkel waar u dit apparaat hebt gekocht. Dit apparaat is gemarkeerd in overeenstemming met de Europese Richtlijn 2012/19/EU, Afgedankte Elektrische en Elektronische Apparatuur (AEEA) en met de Regeling Afgedankte Elektrische en Elektronische Apparatuur 2013 (zoals gewijzigd).

Door ervoor te zorgen dat dit product correct wordt afgedankt, helpt u schadelijke gevolgen voor het milieu en de gezondheid te voorkomen.

Het symbool  op het product of op de begeleidende documentatie geeft aan dat dit apparaat niet als huishoudelijk afval behandeld mag worden, maar dat het ingeleverd moet worden bij een speciaal inzamelingscentrum voor de recycling van elektrische en elektronische apparatuur.

TIPS OM ENERGIE TE BESPAREN

Maak zoveel mogelijk gebruik van de restwarmte van de hete plaat door de plaat uit te zetten enkele minuten voordat u stopt met koken.

De basis van uw pot of pan dient de kookplaat volledig te bedekken; een recipiënt die kleiner is dan de kookplaat veroorzaakt energieversterving.

Dek potten en pannen af met goed aansluitende deksels terwijl u kookt en gebruik zo weinig mogelijk water. Koken zonder deksel verhoogt uw energieverbruik.

Gebruik alleen kookpotten en pannen met een vlakke bodem.

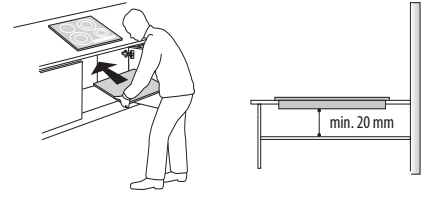
CONFORMITEITSVERKLARING

Dit apparaat voldoet aan de Ecodesign-vereisten van Europese verordening 66/2014 en de Ecodesign Verordeningen 2019 voor energiegerelateerde producten en energie-informatie (Wijziging) (EU Exit), in overeenstemming met de Europese norm EN 60350-2.



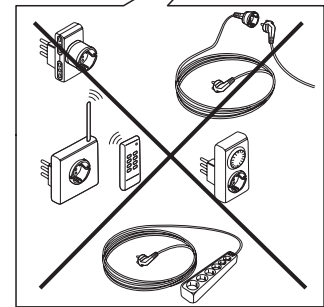
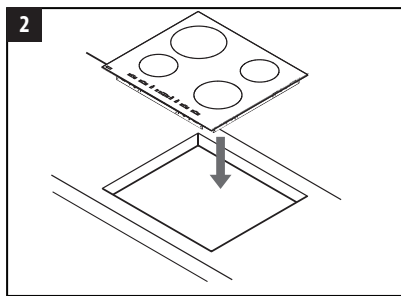
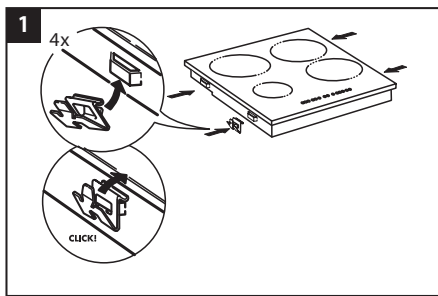
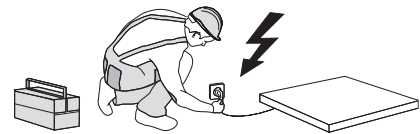
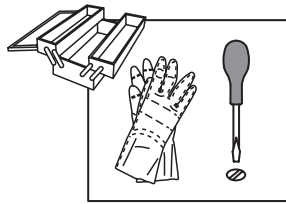
INSTALLATIE

- De kookplaat moet in een werkblad met een diepte van minimaal 20 mm worden geplaatst.
- Er mag niets tussen de kookplaat en de oven zitten (kruiselingse rails, steunen etc.).
- Zorg ervoor dat het netsnoer lang genoeg is voor een gemakkelijke installatie.
- De afstand tussen de onderkant van de glaskeramische kookplaat en de kast of het afscheidende paneel moet minstens 20 mm zijn.
- Zie de afbeelding in deze paragraaf voor inbouwafmetingen en installatie.
- Er moet een minimumafstand worden aangehouden tussen de kookplaat en de afzuigkap. Raadpleeg de gebruikershandleiding van de afzuigkap voor meer informatie.
- Breng de bij de kookplaat geleverde pakking aan (tenzij deze al is aangebracht) nadat u het oppervlak ervan hebt schoongemaakt.
- **Installeer de kookplaat niet nabij de afwasmachine of wasmachine, zodat de elektronische schakelingen niet in contact komen met stoom of vocht, die de schakelingen zouden kunnen beschadigen.**
- Als een oven onder de kookplaat geïnstalleerd is, zorg er dan voor dat deze is uitgerust met een koelsysteem. Als de temperatuur van de elektronische circuits de maximaal toegestane temperatuur overschrijdt, schakelt de kookplaat automatisch uit; wacht in dit geval enkele minuten tot de interne temperatuur van de elektronische schakelingen gedaald is tot een aanvaardbaar niveau, waarna u de kookplaat weer kunt inschakelen.

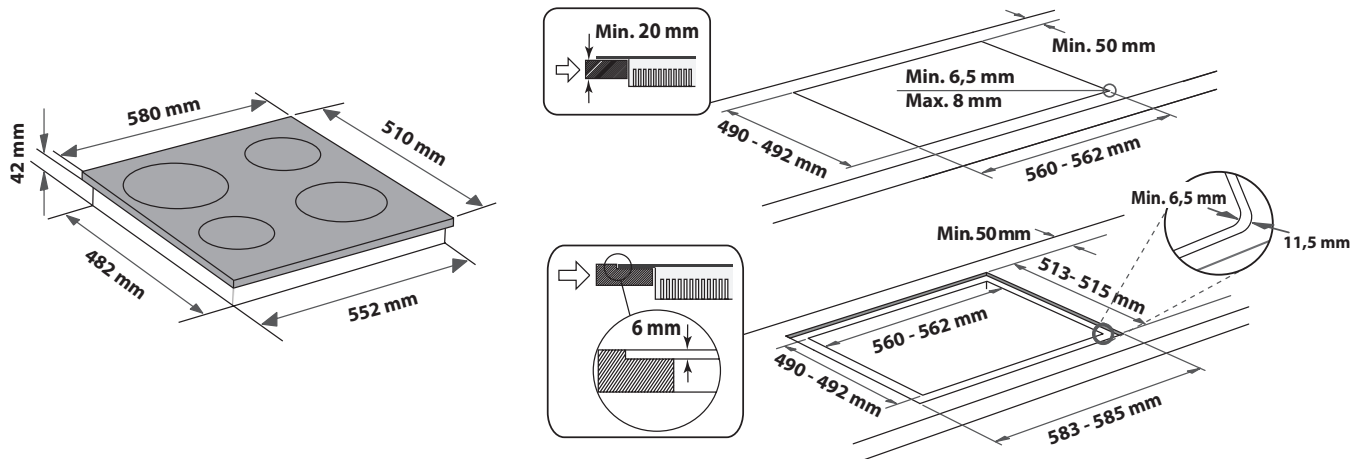
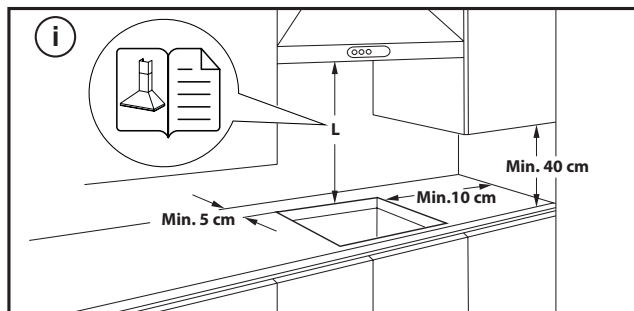


DE KOOKPLAAT PLAATSEN

Na de elektrische aansluiting (zie hoofdstuk "Elektrische aansluiting") moet elke bevestigingsklem op de daarvoor bestemde sleuven aan de zijkanten van de kookplaat worden geplaatst, zoals getoond op de afbeelding. Duw vervolgens de kookplaat in de uitsparing en controleer of het glas vlak en parallel aan het werkblad ligt. De bevestigingsklemmen zijn geschikt voor elk werkbladmateriaal (hout, marmer, enz.).



AAN TE HOUDEN AFMETINGEN EN AFSTANDEN



DE KOOKPLAAT VERWIJDEREN:

Om de kookplaat te verwijderen, koppelt u hem eerst los van de elektrische voeding. Het is raadzaam om aan de onderkant de oven, lade, afscheider of andere obstakels te verwijderen. Hierdoor kan de technicus gemakkelijk bij de onderkant van de kookplaat om de vier clips met een schroevendraaier los te maken, de kookplaat op te tillen en te verwijderen, waarbij beschadiging van het werkblad wordt vermeden.

ELEKTRISCHE AANSLUITING

De elektrische aansluiting moet tot stand gebracht worden voordat u het apparaat aansluit op het elektriciteitsnet.

Het netsnoer is niet inbegrepen in de verpakking, zorg voor uw eigen netsnoer.




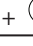
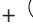
De installatie moet worden uitgevoerd door een erkend elektricien die op de hoogte is van de actuele veiligheids- en installatievoorschriften. De installatie moet in het bijzonder uitgevoerd worden in overeenstemming met de voorschriften van het plaatselijke elektriciteitsbedrijf.

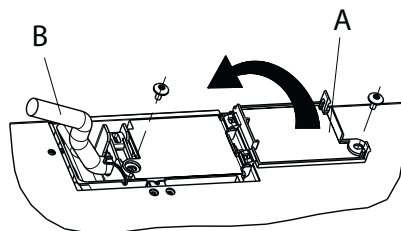
Zorg dat de spanning die op het typeplaatje aan de onderzijde van het apparaat wordt aangeduid, overeenkomt met de spanning in uw woning.

De aarding van het apparaat is wettelijk verplicht: gebruik uitsluitend stroomgeleiders (inclusief de aardleiding) van de juiste afmetingen.

AANSLUITING OP HET KLEMMENBORD

Gebruik voor elektrische aansluiting een H05RR-F of H05V2V2-F kabel, zoals vermeld staat in de onderstaande tabel.

VOEDINGSSPANNING	GELEIDERS (AANTAL x AFMETING)
220-240V ~+ 	3 x 4 mm ²
230-240V ~+ 	3 x 4 mm ² (alleen voor Australië)
220-240V 3~+ 	4 x 1,5 mm ²
380-415V 3N~+ 	5 x 1,5 mm ²
380-425V 2N~+ 	4 x 1,5 mm ²



Het apparaat moet worden aangesloten op het elektriciteitsnet via een meerpolige tussenschakelaar met een afstand van minstens 3 mm tussen de contacten.

LET OP: het netsnoer moet lang genoeg zijn om de kookplaat te kunnen verwijderen uit het werkblad, en moet zodanig geplaatst worden dat schade of oververhitting ten gevolge van contact met de plaat vermeden wordt.

OPMERKING: de geel-groene aardleiding moet aangesloten worden op de klem met het symbool  en moet langer zijn dan de andere draden.

- Strip ongeveer 70 mm van de kabelbekleding van het netsnoer (**B**) af.
- Ongeveer 10 mm kabelbekleding van de draden verwijderen. Steek het netsnoer daarna in de kabelklem en sluit de draden op het klemmenblok aan volgens het aansluitschema in de buurt van het klemmenblok.
- Bevestig het netsnoer (**B**) door middel van de kabelklem.
- Sluit het klemmenblok af met de afdekking (**A**) en bevestig hem met de schroef.
- Nadat de elektrische aansluiting tot stand is gebracht, bevestigt u de kookplaat in het werkblad en haakt u deze in de steunrichels.

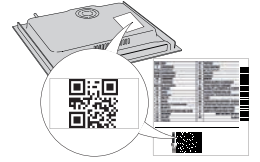

DANK U WEL VOOR UW AANKOOP VAN EEN WHIRLPOOL PRODUCT

Voor verdere assistentie kunt u het apparaat registreren op www.indesit.com/register.

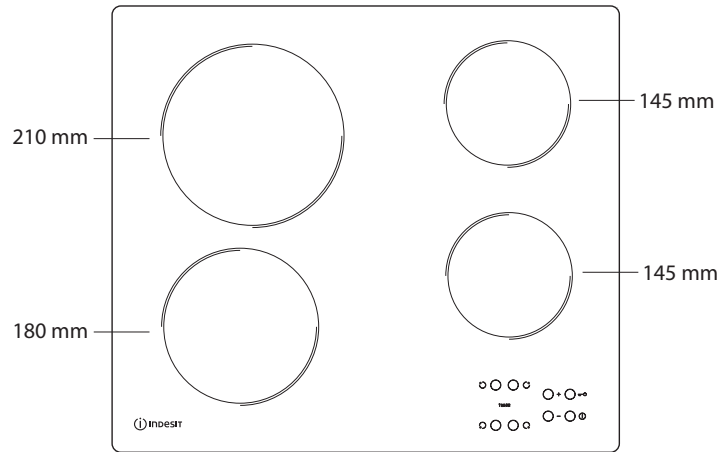


Lees de instructies aandachtig voordat u het apparaat gebruikt.

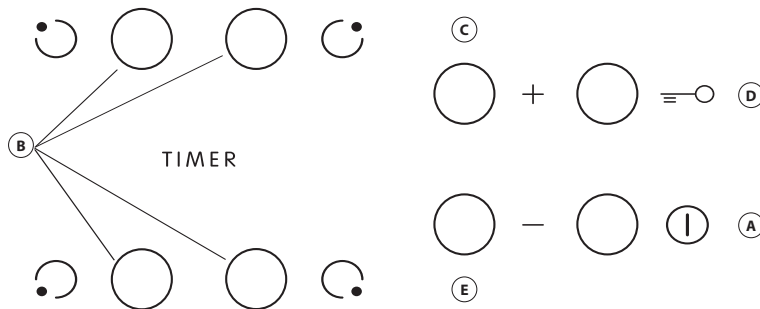
SCAN DE QR-CODE OP UW APPARAAT VOOR MEER INFORMATIE



PRODUCTBESCHRIJVING



BEDIENINGSPANEEL



- A** Aan/Uit
- B** Kookzone en timer selecteren
- C-E** Verwarmingsinstelling verhogen en verlagen
- D** Toetsblokkering

EERSTE GEBRUIK

Nadat de kookplaat geïnstalleerd is, voert het bedieningspaneel ongeveer 1 seconde een functietest uit, waarna de het paneel automatisch naar de functie "Toetsblokkering" schakelt.

Houd toets "D" ingedrukt om de functie te deactiveren; er klinkt een geluidssignaal en de betreffende led wordt uitgeschakeld.

OPMERKING: Herhaal de hierboven beschreven procedure bij een reset.

DAGELIJKS GEBRUIK



DE KOOKPLAAT IN-/UITSCHAKELEN (AAN/UIT)

Houd "A" ongeveer 2 seconden ingedrukt om de kookplaat in te schakelen. Op de displays van de 4 kookzones wordt "0" weergegeven. Wordt er binnen 20 seconden geen van de kookzones geactiveerd, dan wordt de kookplaat uit voorzorg automatisch uitgeschakeld.

KOOKZONES AANZETTEN EN AANPASSEN

Druk op een van de toetsen "B" behorend bij de kookzone die u wilt gebruiken. Selecteer de gewenste verwarmingsinstelling met toets "E" of "C". De overige kookinstellingen die geselecteerd kunnen worden gaan van niveau 1 tot 9. Druk tegelijkertijd op de toetsen "+/-" om alle instellingen te annuleren.

BELANGRIJK: de bediening wordt 10 seconden na het selecteren van de verwarmingsinstelling gedeactiveerd.

Om de verwarmingsinstelling te wijzigen, drukt u eerst weer op de keuzetoets "B" en vervolgens gaat u verder met het wijzigen van de instelling met toets "E" of "C".

TIMER

Om de timerfunctie in te stellen, selecteert u de gewenste kookzone en het gewenste vermogensniveau. Vervolgens drukt u weer op de toets van de kookzone, waarna er een puntje gaat branden op het display van de kookzone die door de timer geregeld wordt. De indicatie "00" knippert op de 2 displays. Druk op de toets "C" of "E" om de tijd in te stellen van 1 tot 99.

BELANGRIJK: na 10 seconden wordt het vermogensniveau van de overige kookzones op de timerdisplays weergegeven. Om de resterende kooktijd te zien, drukt u tweemaal op de toets van de kookzone die door de timer geregeld wordt.

FUNCTIE A

Met deze functie verlaagt u het vermogensniveau van de plaat automatisch van de hoogste waarde (niveau 9) naar de waarde die voor een latere fase van de bereiding is gekozen.

Om deze functie te activeren, drukt u eerst op de toets "+" zodra niveau 9 is bereikt.

Op het display verschijnt "A" en "9" knippert afwisselend met een lage helderheid.

Kies nu het gewenste vermogensniveau (minder dan 9) met de toets “-”. “A” en het gekozen niveau knipperen afwisselend met een lage helderheid op het display.

De functie wordt geactiveerd zodra “A” en het geselecteerde niveau afwisselend met hoge helderheid op het display knipperen.

Zodra “A” niet meer zichtbaar is op het display (de functie “A” schakelt automatisch uit na enkele minuten, afhankelijk van het ingestelde vermogensniveau), gaat de bereiding verder op een lager vermogen en toont het display alleen het gekozen vermogensniveau.

N.B.: deze functie is niet mogelijk met niveau 9.

TOETSBLOKKERING

De functie Toetsblokkering wordt ingeschakeld door toets “D” ingedrukt te houden tot er een puntje boven de functietoets gaat branden. Het bedieningspaneel wordt helemaal geblokkeerd, behalve de uitschakelfunctie. De functie blijft actief als de kookplaat uit- en weer ingeschakeld wordt en kan gedeactiveerd worden door weer op toets “D” te drukken tot het puntje boven de functietoets uitgeschakeld wordt.

Wanneer de kookplaat uitgeschakeld is met de toetsblokkering geactiveerd, moet u eerst de toetsblokkering uitschakelen door nogmaals op toets “D” te drukken totdat de punt boven de functietoets dooft. Vervolgens kunt u de kookplaat inschakelen.

De aanwezigheid van water, vloeistof gemorst uit pannen of voorwerpen die op de bedieningselementen rusten, kunnen de Toetsblokkering in- of uitschakelen.

H RESTWARMTE-INDICATIE

Wanneer de kookzone uitgeschakeld wordt, blijft de restwarmte-indicatie “H” branden of knippert afwisselend met “0” tot de temperatuur van de kookplaat weer een veilig niveau heeft bereikt.

BELANGRIJK: Tot de veiligheidsvoorzieningen van de kookplaat behoort een automatische uitschakelfunctie. Langdurig gebruik van dezelfde verwarmingsinstelling activeert de automatische uitschakeling van de kookzone (de kookzone wordt bijvoorbeeld na 1 uur op het maximale verwarmingsniveau uitgeschakeld).

BELANGRIJK: Om blijvende schade aan de kookplaat te voorkomen:

- gebruik geen pannen met een onderkant die niet vlak is;
- gebruik geen metalen pannen met geëmailleerde onderkant
- plaats geen hete pannen op het bedieningspaneel.

De kookplaat is ook uitgerust met een “automatische uitschakeling” die de kookplaat uitschakelt als er na een bepaalde tijd, afhankelijk van de vermogensinstelling, geen wijziging van het vermogensniveau plaatsvindt. In de tabel staat de tijdsduur van elk vermogensniveau.

VERMOGENSNIVEAU	TIJD VOOR AUTOMATISCHE UITSCHAKELING
0	30 seconden ingedrukt houden
1	10 uur
2	5 uur
3	5 uur
4	4 uur
5	3 uur
6	2 uur
7	2 uur
8	2 uur
9	1 uur

BEREIDINGSTABEL

VERMOGENSNIVEAU		BEREIDINGSTYPE	GEBRUIK VAN HET NIVEAU (de indicatie hangt af van de ervaring en de bereidingsgewoonten)
Maximumvermogen	9	Koken	Ideaal om in korte tijd de temperatuur van etenswaren te verhogen tot het kookpunt, in het geval van water, of snel kookvocht te verwarmen.
	9 – 8	Schroeien	Ideaal voor braden, aan de kook brengen, bakken van diepvriesproducten, snel koken.
Hoog vermogen	8 – 7	Braden – aan de kook houden – grillen	Ideaal voor bakken, actief aan de kook houden, koken en grillen (korte duur, 5-10 minuten).
	7 – 6	Braden – koken – grillen	Ideaal voor licht aan de kook houden, koken en grillen (middellange duur, 10-20 minuten), voorverwarmen en braden.
Middelhoog vermogen	6 – 5	Zacht braden	Ideaal voor het bakken van eieren, omeletten.
	5 – 4	Koken – sudderen – stoven	Ideaal voor langdurig koken (rijst, sauzen, braadstukken, vis) met vloeistoffen (bijv. water, wijn, bouillon, melk), pasta smeugig maken.
	4 – 3	Indikken – pasta smeugig maken	
Laag vermogen	2 – 1	Warmhouden – roomsaus voor risotto maken	Ideaal om net bereide gerechten warm te houden (bijv. sauzen, soepen, minestrone), risotto's smeugig te maken en serveerschalen warm te houden.
Minimaal vermogen	1	Ontdooien	Ideaal voor het ontdooien van kleine producten en het langzaam smelten van chocolade of boter.
Geen vermogen	0	–	Kookplaat in stand-by of uitgeschakeld (mogelijke aanwezigheid van restwarmte na afloop van de bereiding, aangegeven door “H”).

SCHOONMAKEN EN ONDERHOUD

⚠ Trek de stekker uit het stopcontact.

- Gebruik geen stoomreinigers.
- Gebruik geen schuurponsjes of schuurmatjes, omdat hiermee het glas wordt beschadigd.
- Reinig de kookplaat na elk gebruik (wanneer deze is afgekoeld) om aanslag en vlekken door voedselresten te verwijderen.

- Suiker of voedsel met een hoog suikergehalte kan tot beschadiging van de kookplaat leiden en moet direct verwijderd worden.
- Door zout, suiker en zand kan het glasoppervlak bekrast raken.
- Gebruik een zachte doek, absorberend keukenpapier of een speciale kookplaatreiniger (volg de instructies van de fabrikant).
- Gemorst vloeistoffen in de kookzones kunnen ervoor zorgen dat de pannen bewegen of trillen.
- Droog de kookplaat grondig nadat deze gereinigd is.

PROBLEEMOPLOSSING

Indien de kookplaat niet naar behoren werkt, probeer dan aan de hand van Opsporen van storingen het probleem vast te stellen voordat u de Klantenservice belt.

- Lees de instructies in het gedeelte "Dagelijks gebruik" en volg ze op.
- Controleer of er geen stroomuitval is.
- Droog de kookplaat grondig nadat deze gereinigd is.
- Als een kookplaat is geselecteerd en "F" of "ER" op het display verschijnt, gevolgd door een nummer, neem dan contact op met de klantenservice.
- Als de foutcode "F03", "ER03" of "E02" is, probeer dan de volgende probleemoplossing:
 - Als de fout "E02" verschijnt, controleer dan of u niet langer dan 5 seconden op knoppen hebt gedrukt, of zich geen voorwerpen op het bedieningspaneel bevinden en of het bedieningspaneel schoon en droog is. Zie de paragraaf Schoonmaken en onderhoud.
 - Als de fout "F03" verschijnt, probeer dan de kookplaat uit en weer aan te zetten.
 - Als de fout "F04" verschijnt, neem dan contact op met de klantenservice met de weergegeven code.
- Als de kookplaat niet werkt na intensief gebruik, dan is de binnentemperatuur van de kookplaat te hoog. Wacht een paar minuten tot de kookplaat is afgekoeld.

- Als het verwarmingselement niet continu aan staat maar in- en uitschakelt, waarbij het vermogensniveau op het display niet verandert, maakt dit deel uit van de normale werking van de kookplaat. Het in- en uitschakelen maakt deel uit van de vermogensregeling van de verwarming en is volkomen normaal. In sommige gevallen kan de thermische beveiliging de verwarming enige tijd uitschakelen om glasschade te voorkomen. Voorbeelden hiervan zijn: lang koken op een hoog vermogen, pannen gebruiken die kleiner zijn dan het verwarmingselement en pannen zonder platte bodem gebruiken.
- Als de kookplaat een kortstondig geluid maakt zonder dat er op een knop is gedrukt, kijk dan of er vloeistoffen op het bedieningspaneel zijn gemorst. Droog het bedieningspaneel en ga verder met het gebruik van de kookplaat. Als de kookplaat automatisch is uitgeschakeld, is er mogelijk een vloeistof op het bedieningspaneel gemorst. Droog het bedieningspaneel en schakel de kookplaat weer in.

Als na het uitvoeren van deze controles de storing nog steeds aanwezig is, contact opnemen met de dichtstbijzijnde Klantenservice.

CONSUMENTENSERVICE

Voor verdere assistentie kunt u het apparaat registreren op www.indesit.com/register.

VOORDAT U CONTACT OPNEEMT MET DE KLANTENSERVICE:

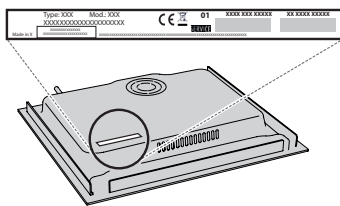
1. Kijk of u het probleem zelf kunt oplossen met behulp van de aanwijzingen in het hoofdstuk **PROBLEEMOPLOSSING**.
2. Zet het apparaat aan en uit om te controleren of het probleem is opgelost.

ALS NA HET UITVOEREN VAN DEZE CONTROLES DE STORING NOG STEEDS AANWEZIG IS, NEEMT U CONTACT OP MET DE DICHTSTBIJZIJNDE KLANTENSERVICE.

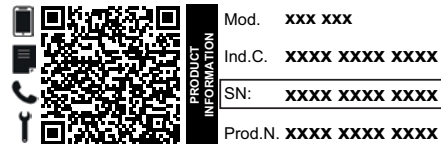
Om assistentie te vragen, bel het nummer aangegeven in het garantieboekje of volg de instructies op de website www.indesit.com.

Wanneer u contact opneemt met onze Klantendienst, vermeld altijd:

- een korte beschrijving van de storing;
- het type en het exacte model van het apparaat;



- het serienummer (nummer na het woord SN op het typeplaatje aan de onderkant van het apparaat). Het serienummer is ook vermeld in de documentatie;



- uw volledige adres;
- uw telefoonnummer

Wend u tot een erkende Whirlpool Consumenten Service indien reparatie noodzakelijk is (alleen dan heeft u zekerheid dat originele vervangingsonderdelen worden gebruikt en de reparatie correct wordt uitgevoerd).

Beleid, standaarddocumentatie en aanvullende productinformatie vindt u:

- Met de QR-code van uw apparaat;
- Op onze website docs.indesit.eu;
- Anders, **contacteer onze Klantenservice** (Het telefoonnummer staat in het garantieboekje). Wanneer u contact opneemt met de Klantenservice, gelieve de codes te vermelden die op het identificatieplaatje van het apparaat staan.



WSKAZÓWKI DOTYCZĄCE BEZPIECZENSTWA

PRZECZYTAĆ I ŚCIŚLE PRZESTRZEGAĆ

Pobierz pełną instrukcję obsługi ze strony <http://docs.indesit.eu> lub zadzwoń na lokalny number telefonu podany w książeczce gwarancyjnej.

Przed przystąpieniem do użytkowania urządzenia należy zapoznać się instrukcjami bezpieczeństwa. Przechowywać w podręcznym miejscu w celu korzystania w przyszłości. W niniejszej instrukcji oraz na samym urządzeniu znajdują się ważne ostrzeżenia dotyczące bezpieczeństwa, które należy zawsze uwzględniać. Producent urządzenia nie ponosi odpowiedzialności za jakiegokolwiek szkody wynikłe z nieprzestrzegania niniejszych instrukcji bezpieczeństwa, nieprawidłowego użytkowania urządzenia lub niewłaściwego ustawienia elementów sterujących.

⚠ **OSTRZEŻENIE:** Jeśli powierzchnia płyty jest pęknięta, nie wolno używać urządzenia – ryzyko porażenia prądem.

⚠ **OSTRZEŻENIE:** Zagrożenie pożarem: Na powierzchniach grzejnych nie należy przechowywać żadnych przedmiotów.

⚠ **OSTROŻNIE:** Proces gotowania musi być nadzorowany. Proces krótkiego gotowania musi być nadzorowany przez cały czas.

⚠ **OSTRZEŻENIE:** Pozostawienie urządzenia bez nadzoru podczas przyrządzania potraw z użyciem oleju i tłuszczu może spowodować zagrożenie i prowadzić do powstania pożaru. NIGDY nie należy próbować gasić ognia wodą; zamiast tego należy wyłączyć urządzenie i zakryć płomień np. pokrywką lub kocem gaśniczym.

⚠ Nie używać płyty kuchennej jako powierzchni roboczej. Ścierki kuchenne i inne łatwopalne materiały powinny być przechowywane z dala od urządzenia, dopóki wszystkie jego podzespoły całkowicie nie ostygną – ryzyko pożaru.

⚠ Małe dzieci (0-3 lat) nie powinny przebywać w pobliżu urządzenia. Dzieci (3-8 lat) nie powinny przebywać w pobliżu urządzenia bez stałego nadzoru. Dzieci w wieku 8 lat i starsze, osoby o ograniczonej sprawności fizycznej, sensorycznej lub umysłowej oraz osoby bez odpowiedniego doświadczenia i wiedzy mogą korzystać z urządzenia wyłącznie pod nadzorem lub po otrzymaniu odpowiednich instrukcji dotyczących bezpiecznego użytkowania urządzenia oraz pod warunkiem, że rozumieją zagrożenia związane z obsługą urządzenia. Nie pozwalać, by dzieci bawiły się urządzeniem. Dzieci nie mogą czyścić ani konserwować urządzenia bez nadzoru.

⚠ **OSTRZEŻENIE:** Urządzenie i jego łatwo dostępne części mogą nagrzewać się podczas pracy. Należy uważać, aby nie dotknąć elementów grzejnych. Dzieci do lat 8 nie mogą znajdować się w pobliżu urządzenia bez stałego nadzoru.

DOZWOLONE ZASTOSOWANIE

⚠ **OSTROŻNIE:** urządzenie nie zostało przeznaczone do obsługi za pomocą zewnętrznego urządzenia, np. timera, ani niezależnego systemu zdalnego sterowania.

⚠ To urządzenie jest przeznaczone do użytku w gospodarstwach domowych i do podobnych zastosowań, takich jak: kuchnie dla pracowników w sklepach, biurach

i innych środowiskach roboczych; gospodarstwa rolne; wykorzystanie przez klientów w hotelach, motelach oraz innych obiektach mieszkalnych.

⚠ Wszelkie inne zastosowania (np. ogrzewanie pomieszczeń) są zabronione.

⚠ Urządzenie nie jest przeznaczone do użytku przemysłowego. Urządzenia nie należy używać na zewnątrz.

INSTALACJA

⚠ Urządzenie muszą przytrzymywać i montować co najmniej dwie osoby – ryzyko obrażeń. W celu odpakowania i instalacji używać rękawic ochronnych – ryzyko skaleczenia.

⚠ Instalacja, podłączenia do źródła wody i zasilania oraz wszelkie naprawy muszą być wykonywane przez wykwalifikowanego technika. Nie naprawiać ani nie wymieniać żadnej części urządzenia, jeśli nie jest to wyraźnie dozwolone w instrukcji obsługi. Nie należy pozwalać dzieciom zbliżać się do miejsca instalacji. Po rozpakowaniu urządzenia należy sprawdzić, czy nie zostało uszkodzone podczas transportu. W przypadku problemów należy skontaktować się z najbliższym serwisem technicznym. Po instalacji zbędne opakowanie (elementy z plastiku, styropianu, itd.) należy umieścić w miejscu niedostępnym dla dzieci – ryzyko uduszenia. Przed przystąpieniem do jakichkolwiek czynności montażowych urządzenie należy odłączyć od zasilania elektrycznego – ryzyko porażenia prądem. Podczas instalacji upewnić się, że urządzenie nie może uszkodzić przewodu zasilającego – ryzyko porażenia prądem. Urządzenie można uruchomić dopiero po zakończeniu instalacji.

⚠ Przed włożeniem piekarnika mebel należy przyciąć i dokładnie usunąć trociny i wióry.


⚠ Jeśli urządzenie nie zostało zainstalowane nad piekarnikiem, w szafce pod urządzeniem należy zamontować panel oddzielający (brak w zestawie).

OSTRZEŻENIA DOTYCZĄCE ELEKTRYCZNOŚCI


⚠ Musi istnieć możliwość odłączenia urządzenia od źródła zasilania przez wyjęcie wtyczki (jeśli wtyczka jest dostępna) lub za pomocą dostępnego przełącznika wielobiegunowego, zainstalowanego w przewodzie do gniazda zasilania zgodnie z obowiązującymi normami krajowymi; urządzenie musi także posiadać uziemienie zgodnie z obowiązującymi normami krajowymi.


⚠ Nie stosować przedłużaczy, rozdzielaczy i złączy pośrednich. Po zakończeniu instalacji użytkownik nie powinien mieć dostępu do podzespołów elektrycznych urządzenia. Nie korzystać z urządzenia na boso lub będąc mokrym. Nie uruchamiać urządzenia, jeśli kabel zasilający lub wtyczka są uszkodzone, nie działa ono prawidłowo lub zostało uszkodzone bądź upuszczone.

⚠ Podłączenie za pomocą wtyczki przewodu zasilającego nie jest dozwolone, jeżeli nie stanowi ona fabrycznego wyposażenia produktu.


 Jeśli przewód zasilający jest uszkodzony, jego wymianę na identyczny należy ze względów bezpieczeństwa zlecić przedstawicielowi producenta, serwisowi technicznemu lub innej wykwalifikowanej osobie w celu uniknięcia potencjalnego ryzyka – ryzyko porażenia prądem.

CZYSZCZENIE I KONSERWACJA

 **OSTRZEŻENIE:** Przed przystąpieniem do czynności konserwacyjnych należy sprawdzić, czy urządzenie zostało wyłączone i odłączone od źródła zasilania – ryzyko porażenia prądem; Nigdy nie należy stosować urządzeń czyszczących parą – ryzyko porażenia prądem.

 Nie należy używać środków ściernych, żrących, środków na bazie chloru ani środków do szorowania.

UTYLIZACJA OPAKOWANIA


Materiał, z którego wykonano opakowanie, w 100% nadaje się do recyklingu i jest oznaczony symbolem .

Części opakowania nie należy wyrzucać, lecz zutylizować zgodnie z przepisami określonymi przez lokalne władze.

UTYLIZACJA URZĄDZEŃ AGD

Urządzenie zostało wykonane z materiałów nadających się do recyklingu lub do ponownego użycia. Urządzenie należy utylizować zgodnie z miejscowymi przepisami dotyczącymi gospodarki odpadami. Aby uzyskać więcej informacji na temat utylizacji, odzyskiwania oraz recyklingu urządzeń AGD, należy skontaktować się z odpowiednim lokalnym urzędem, punktem skupu złomu AGD lub sklepem, w którym zakupiono urządzenie. To urządzenie jest oznaczone zgodnie z dyrektywą Unii Europejskiej 2012/19/UE w sprawie zużytego sprzętu elektrotechnicznego i elektronicznego (WEEE) oraz z przepisami dotyczącymi sprzętu elektrycznego i elektronicznego z 2013 r. (w brzmieniu zmienionym).

Właściwa utylizacja urządzenia pomoże zapobiec ewentualnym negatywnym skutkom dla środowiska oraz zdrowia ludzkiego.

Symbol  na urządzeniu lub w dołączonej do niego dokumentacji oznacza, że urządzenia nie wolno traktować jak zwykłego odpadu domowego. Należy je przekazać do punktu zajmującego się utylizacją i recyklingiem urządzeń elektrycznych i elektronicznych.

WSKAZÓWKI DOTYCZĄCE OSZCZĘDZANIA ENERGII

Aby w pełni wykorzystać ciepło resztkowe płyty grzewczej, należy wyłączyć ją kilka minut przed planowanym zakończeniem gotowania.

Podstawa garnka lub patelni powinna całkowicie pokrywać powierzchnię płyty grzewczej; użycie naczynia o mniejszej powierzchni podstawy niż płyta grzewcza spowoduje niepotrzebną utratę energii.

Podczas gotowania należy przykrywać garnki lub patelnie ściśle dopasowanymi pokrywkami i używać możliwie jak najmniej wody. Gotowanie bez pokrywki znacznie zwiększa zużycie energii.

Używać wyłącznie garnków i patelni z płaskim dnem.

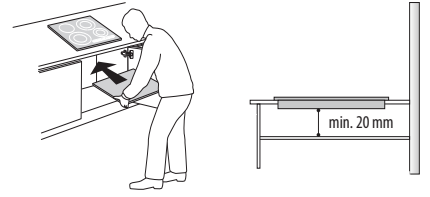
DEKLARACJA ZGODNOŚCI

To urządzenie spełnia wymagania ekoprojektu z Rozporządzenia Komisji (UE) nr 66/2014 oraz rozporządzeń z 2019 r. dotyczących ekoprojektu dla produktów związanych z energią oraz informacji na temat energii (zmiana) (wyjście z UE), zgodnie z normą europejską EN 60350-2.



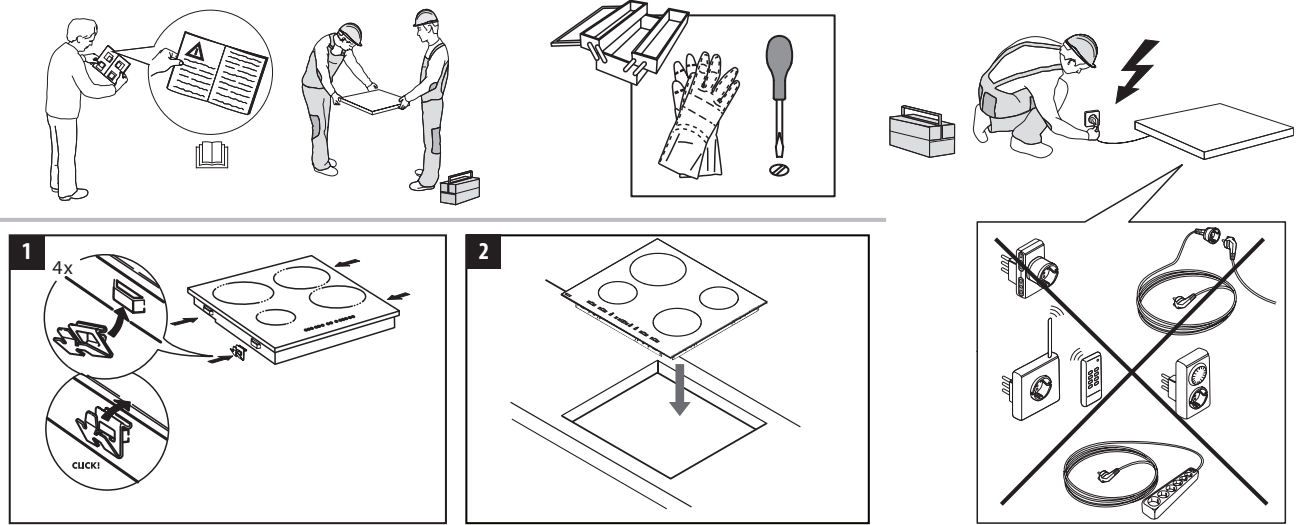
INSTALACJA

- Płyta grzewcza musi być wpuszczona w blat o głębokości co najmniej 20 mm.
- Nic nie może się znajdować między płytą kuchenną a piekarnikiem (prowadnice poprzeczne, wsporniki, etc.).
- Upewnij się, że przewód zasilający jest wystarczająco długi, aby umożliwić wygodne podłączenie.
- Odległość między dolną powierzchnią szklano-ceramicznej płyty grzejnej a szafką lub panelem oddzielającym musi wynosić przynajmniej 20 mm.
- Dla wbudowanych wymiarów i instalacji patrz rysunek w tym paragrafie.
- Należy zachować minimalną odległość między płytą kuchenną a okapem znajdującym się nad płytą. Więcej informacji na ten temat znajduje się w podręczniku użytkownika okapu.
- Po wyczyszczeniu powierzchni płyty kuchennej nałożyć na nią załączoną uszczelkę (chyba że została już założona).
- **Nie instalować płyty kuchennej nad zmywarką bądź pralką, aby zapobiec przedostawaniu się pary lub wilgoci do obwodów elektronicznych – mogłyby one ulec uszkodzeniu.**
- Jeśli piekarnik jest zainstalowany pod płytą kuchenną, należy upewnić się, że jest wyposażony w system chłodzący. Jeśli temperatura obwodów elektronicznych przekroczy maksymalną dozwoloną temperaturę, płyta kuchenna automatycznie się wyłączy; W takim przypadku należy odczekać kilka minut, aż wewnętrzna temperatura obwodów elektronicznych osiągnie dozwoloną wartość – w tym momencie będzie możliwe ponowne włączenie płyty grzejnej.

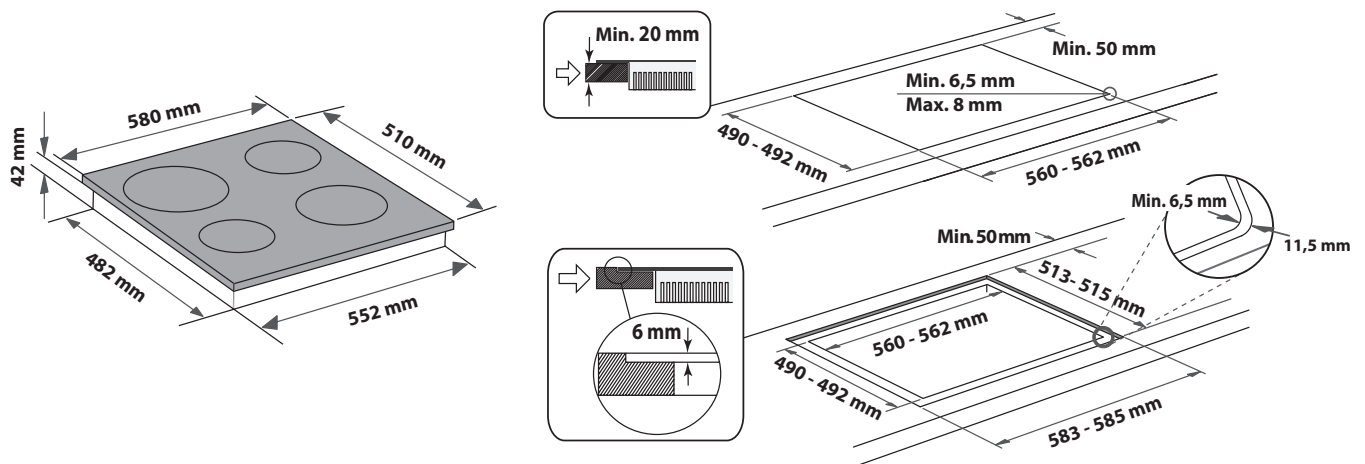
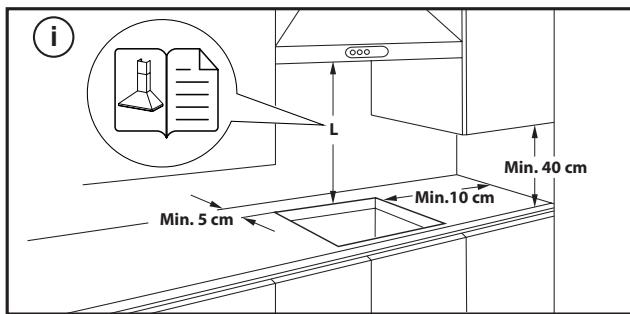


USYTUOWANIE PŁYTY GRZEJNEJ

Po wykonaniu podłączenia elektrycznego (patrz rozdział "Podłączenie elektryczne"), umieścić każdy zacisk mocujący w odpowiednim otworze na bocznych stronach płyty grzejnej, tak jak zostało to pokazane na rysunku. Następnie wepchnąć płytę grzejną do wnętrza wyciętego otworu i sprawdzić, czy płyta jest ułożona płasko i równoległe do blatu. Zaciski mocujące są zaprojektowane dla każdego typu materiału, z którego robione są blaty kuchenne (drewno, marmur, etc).



WYMIARY I ODLEGŁOŚCI KTÓRE NALEŻY ZACHOWAĆ



DEMONTAŻ PŁYTY:

Aby wyjąć płytę, najpierw należy ją odłączyć od zasilania elektrycznego. Zdecydowanie zaleca się uwolnienie spodniej części z piekarnika, szuflady, separatora lub innych zamontowanych elementów. Umożliwi to technikowi uzyskanie dostępu do dolnej części płyty w celu odkręcenia śrubokrętem czterech zacisków, podniesienia płyty i wyjęcia jej bez uszkodzenia blatu.

PODŁĄCZENIE ELEKTRYCZNE

Przed podłączeniem płyty do źródła zasilania należy wykonać podłączenie elektryczne.

Przewód zasilający nie wchodzi w skład zestawu, należy pamiętać, aby przygotować własny przewód zasilający.




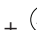
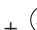
Instalacja musi być przeprowadzona przez wykwalifikowanego pracownika znającego aktualne przepisy dotyczące bezpieczeństwa i instalacji. W szczególności, instalacja musi być przeprowadzona zgodnie z przepisami obowiązującymi u lokalnego dostawcy prądu.

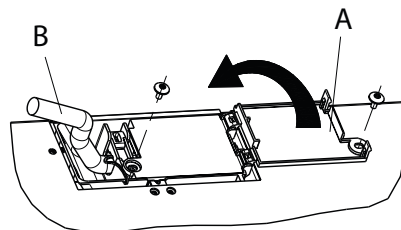
Upewnić się, że napięcie podane na tabliczce znamionowej znajdującej się w dolnej części urządzenia jest zgodne z napięciem w instalacji domowej.

Obowiązujące przepisy wymagają, by urządzenie było uziemione: należy użyć jedynie przewodów (w tym przewodu uziemiającego) o odpowiednim rozmiarze.

PODŁĄCZENIE DO BLOKU ZACISKÓW


Do podłączenia elektrycznego należy użyć przewodu typu H05RR-F albo H05V2V2-F, zgodnie ze specyfikacją określoną w poniższej tabeli.

NAPIĘCIE ELEKTRYCZNE	PRZEWODY ILOŚĆ x ROZMIAR
220-240V ~+ 	3 x 4 mm ²
230-240V ~+ 	3 x 4 mm ² (tylko Australia)
220-240V 3~+ 	4 x 1,5 mm ²
380-415V 3N~+ 	5 x 1,5 mm ²
380-425V 2N~+ 	4 x 1,5 mm ²



Urządzenie należy podłączyć do zasilania elektrycznego za pomocą wielobiegowego wyłącznika o minimalnym odstępem między stykami wynoszącym 3 mm.

UWAGA: kabel zasilający musi być wystarczająco długi, tak aby można wyjąć płytę kuchenną z blatu i musi być tak usytuowany, aby zapobiec uszkodzeniu lub przegrzaniu spowodowanemu kontaktem z podstawą płyty.

UWAGA: żółto-zielony przewód uziemienia powinien zostać podłączony do zacisku oznaczonego symbolem  i musi być dłuższy niż inne przewody.

- Zdjąć zewnętrzną osłonę z kabla zasilającego na długości ok. 70 mm (**B**).
- Zdjąć osłonę z przewodów na długości ok. 10 mm. Następnie włożyć przewód zasilający do zacisku i podłączyć przewody do bloku zacisków zgodnie ze schematem podłączenia znajdującym się obok samego bloku zacisków.
- Zamocować kabel zasilający (**B**) za pomocą zacisku.
- Zamknąć blok zacisków za pomocą pokrywy (**A**), mocując ją przy użyciu załączonego wkrętu.
- Po wykonaniu połączenia elektrycznego należy włożyć płytę kuchenną od góry i zaczepić ją na sprężynach mocujących, tak jak to pokazano na rysunku.



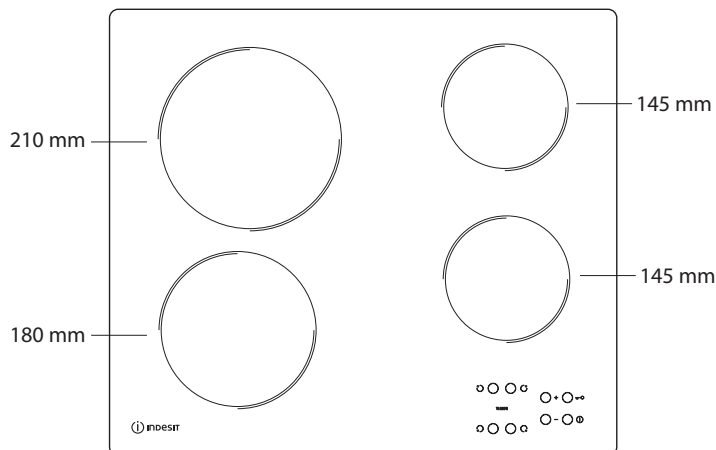
DZIĘKUJEMY ZA ZAKUP PRODUKTU WHIRLPOOL
W celu uzyskania kompleksowej pomocy prosimy zarejestrować urządzenie na stronie www.indesit.com/register.

W CELU UZYSKANIA SZCZEGÓŁOWYCH INFORMACJI, NALEŻY ZESKANOWAĆ KOD QR NA URZĄDZENIU

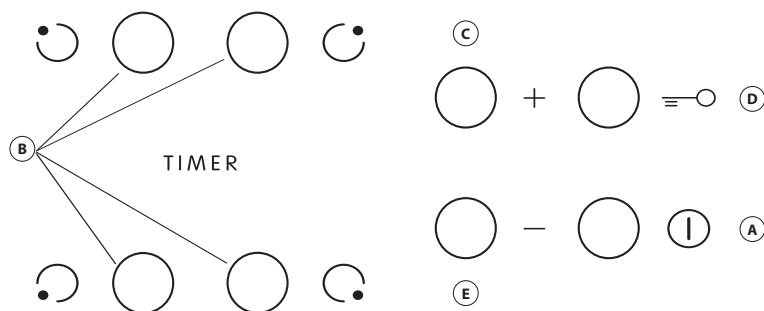


Przed użyciem urządzenia należy uważnie przeczytać instrukcję bezpieczeństwa.

OPIS PRODUKTU



PANEL STEROWANIA



- A** Włączony/Wyłączony
- B** Wybór strefy grzewczej i programatora czasowego
- C-E** Zwiększenie i zmniejszenie ustawienia mocy grzania
- D** Blokada przycisków

PIERWSZE UŻYCIĘ

Przed pierwszą instalacją przez około 1 sekundę panel sterowania przeprowadza test działania, a następnie automatycznie włączana jest funkcja "Blokada przycisków". Aby dezaktywować tę funkcję, naciśnij i przytrzymaj przycisk "D". Zostanie

wyemitowany sygnał dźwiękowy, a następnie zgaśnie odpowiednia dioda led.

UWAGA: W przypadku resetowania należy powtórzyć procedurę opisaną powyżej.

CODZIENNA EKSPLOATACJA



WŁĄCZANIE/WYŁĄCZANIE PŁYTY

Aby włączyć płytę, naciśnij przycisk "A" i przytrzymaj przez około 2 sekundy. Na 4 strefach grzewczych zostanie wyświetlony symbol "0". Jeśli w ciągu 20 sekund żadna strefa grzewcza nie zostanie aktywowana, ze względów bezpieczeństwa płyta automatycznie wyłączy się.

WŁĄCZANIE I REGULACJA STREF GRZEW CZYCH

Naciśnij jeden z przycisków "B" odpowiadający strefie grzewczej, która ma być używana. Przy użyciu przycisku "E" lub "C" wybierz wymagane ustawienie mocy grzania. Ustawienie mocy grzania można wybrać w zakresie od 1 do 9. Aby anulować wszystkie ustawienia, naciśnij jednocześnie przyciski "+/-".

WAŻNE: sterowanie jest dezaktywowane po 10 sekundach od wyboru ustawienia mocy grzania.

Aby zmienić ustawienie mocy grzania, ponownie naciśnij przycisk wyboru "B", a następnie zmień ustawienie przy użyciu przycisku "E" lub "C".

TIMER (PROGRAMATOR CZASOWY)

Aby ustawić funkcję programatora czasowego, wybierz żądaną strefę grzewczą i ustawienie mocy, a następnie ponownie naciśnij przycisk strefy grzewczej, co spowoduje zaświecenie kropki na wyświetlaczu strefy grzewczej sterowanej przez programator czasowy. Na 2 wyświetlaczach zacznie migać wskazanie "00". Przy użyciu przycisku "E" lub "C" ustaw czas w zakresie od 1 do 99.

UWAGA: po 10 sekundach na wyświetlaczu pojawi się ustawienie mocy grzania pozostałych stref grzewczych.

Aby wyświetlić pozostały czas gotowania, naciśnij dwukrotnie przycisk strefy grzewczej sterowanej przez programator czasowy

FUNKCJA A

Funkcja ta umożliwi automatyczne obniżenie poziomu mocy strefy grzejnej od najwyższej wartości (poziom 9) do wybranej przez użytkownika dla późniejszego etapu gotowania.

Aby uruchomić tę funkcję, po osiągnięciu poziomu 9 należy nacisnąć przycisk "+". Na wyświetlaczu pojawiają się symbole "A" i "9" o przytłumionej barwie, migające naprzemiennie.

Można wówczas wybrać żądany poziom mocy (mniejszy niż 9), korzystając z przycisku "–".

Przytłumione symbole "A" i oznaczenie wybranego poziomu migają na przemian na wyświetlaczu.

Funkcja jest włączona, gdy symbol "A" i oznaczenie wybranego poziomu przyjmą normalny poziom intensywności i migają naprzemiennie na wyświetlaczu.

Gdy "A" nie jest już widoczne na wyświetlaczu (funkcja "A" wyłącza się automatycznie po kilku minutach, w zależności od ustawionego poziomu mocy), proces gotowania jest kontynuowany z niższą mocą, a wyświetlacz pokazuje tylko wybrany poziom mocy.

UWAGA: ta funkcja nie jest dostępna dla poziomu 9.

BLOKADA PRZYCISKÓW

Funkcję Blokadę przycisków włącza się przez naciśnięcie i przytrzymanie przycisku "D" do momentu zaświecenia kropki nad przyciskiem funkcji. Panel sterowania jest zablokowany za wyjątkiem funkcji wyłączenia. Funkcja pozostaje aktywna nawet po wyłączeniu i włączeniu płyty. Funkcję można dezaktywować przez ponowne naciśnięcie przycisku "D", aż do momentu zgaśnięcia kropki nad przyciskiem funkcji.

Aby włączyć płytę, która została wyłączona z blokadą przycisków, należy najpierw wyłączyć funkcję blokady przycisków, naciskając ponownie przycisk "D", aż zniknie kropka nad przyciskiem funkcji.

Obecność wody, płynu rozlanego z naczyń na płytę, a także innych przedmiotów na elementach sterowniczych może być powodem przypadkowego i niepożądanego włączenia lub wyłączenia funkcji blokady przycisków.

WSKAŹNIK CIEPŁA RESZTKOWEGO

Po wyłączeniu strefy grzewczej wskaźnik ciepła resztkowego "H" świeci lub miga naprzemiennie z symbolem "0", aż temperatura płyty spadnie do bezpiecznego poziomu.

TABELA GOTOWANIA

POZIOM MOCY		TYP GOTOWANIA	UŻYCIE POZIOMU (wskazanie należy skorygować wg własnego doświadczenia oraz nawyków gotowania)
Maksymalna moc	9	Gotowanie	Doskonały do szybkiego zwiększenia temperatury żywności podczas szybkiego gotowania w wodzie lub szybkiego podgrzewania potraw w stanie płynnym.
	9 – 8	Obsmażanie	Doskonały do przyrumieniania, rozpoczynania gotowania, smażenia produktów mrożonych, szybkiego gotowania.
Wysoka moc	8 – 7	Przyrumienianie – utrzymywanie w stanie wrzenia – grillowanie	Doskonały do przyrumieniania, utrzymywania w stanie wysokiego wrzenia, gotowania i grillowania (krótki czas trwania, 5-10 minut).
	7 – 6	Smażenie – gotowanie – grillowanie	Idealny do utrzymywania niskiego poziomu wrzenia, gotowania i grillowania (średni czas trwania, 10-20 minut), podgrzewania i smażenia.
Średnia moc	6 – 5	Delikatne smażenie	Doskonały do smażenia jajek, omletów.
	5 – 4	Gotowanie – gotowanie na wolnym ogniu – duszenie	Doskonały do przepisów wymagających długiego gotowania (ryż, sosy, pieczenie, dania rybne) z płynnymi dodatkami (np. wodą, winem, bulionem, mlekiem), zaciąganych makaronów.
	4 – 3	Zagęszczanie – nadawanie daniom z makaronu kremowej konsystencji	
Niski poziom mocy	2 – 1	Utrzymywanie ciepła potraw – zaciąganie sosów do risotto	Idealny do utrzymywania gorącej temperatury dopiero co ugotowanych potraw (np. sosów, zup, minestrone), kremowego risotta i utrzymywania ciepła serwowanych dań.
Minimalna moc	1	Rozmrażanie	Doskonały do rozmrażania małych produktów i delikatnego roztopienia czekolady lub masła.
Zerowy poziom mocy	0	–	Płyta w trybie czuwania lub wyłączona (możliwa obecność ciepła resztkowego, pozostałego po zakończeniu gotowania, o czym informuje symbol "H").

CZYSZCZENIE I KONSERWACJA

Odłączyć urządzenie od zasilania.

- Nie wolno stosować urządzeń czyszczących parą.
- Nie używać gąbek ściernych ani myjek, gdyż mogą one uszkodzić szklaną powierzchnię.
- Po każdym użyciu należy oczyścić płytę (gdy jest zimna), aby usunąć osady i plamy powstałe od resztek żywności.
- Cukier oraz potrawy o wysokiej zawartości cukru niszczą płytę i należy je niezwłocznie usuwać z jej powierzchni.

WAŻNE: Zabezpieczenia płyty obejmują funkcje automatycznego wyłączenia. Długotrwałe korzystanie z tego samego ustawienia mocy grzania powoduje automatyczne wyłączenie strefy grzewczej (na przykład po około 1 godzinie korzystania z maksymalnego ustawienia mocy grzania następuje wyłączenie strefy grzewczej).

WAŻNE: W celu uniknięcia trwałego uszkodzenia płyty grzejnej:

- nie należy używać garnków z dnem, które nie jest płaskie;
- nie należy używać metalowych garnków z emaliowanym dnem;
- nie należy umieszczać gorących garnków/patelni na panelu sterowania.

Płyta jest również wyposażona w funkcję "automatycznego wyłączenia", która wyłącza strefę grzejną, jeśli po określonym czasie (zależnym od ustawionego poziomu mocy) nie nastąpi żadna modyfikacja poziomu grzania. W tabeli podano czas pracy do automatycznego wyłączenia dla poszczególnych poziomów mocy.

POZIOM MOCY	CZAS AUTOMATYCZNEGO WYŁĄCZENIA
0	30 sekund
1	10 godzin
2	5 godzin
3	5 godzin
4	4 godziny
5	3 godziny
6	2 godziny
7	2 godziny
8	2 godziny
9	1 godzina

USUWANIE USTEREK

Jeśli płyta grzejna nie będzie działała poprawnie, przed skontaktowaniem się z serwisem technicznym należy zapoznać się z przewodnikiem wykrywania i usuwania usterek, aby ustalić przyczynę usterek.

- Przeczytać i zastosować się do instrukcji podanych w rozdziale "Codzienna eksploatacja".
- Należy sprawdzić, czy zasilanie elektryczne nie zostało wyłączone.
- Po wyczyszczeniu dokładnie osuszyć płytę.
- Jeśli po wybraniu strefy grzejnej na wyświetlaczu pojawia się symbol "F" lub "ER", a po nim liczba, należy poinformować o tym fakcie serwis posprzedażowy.
- Jeśli kod błędu to "F03", "ER03" lub "E02", można podjąć próbę jego rozwiązania, postępując zgodnie z poniższymi instrukcjami:
 - W przypadku wystąpienia błędu "E02" należy się upewnić, że przyciski nie były naciskane dłużej niż 5 sekund, że w obszarze panelu sterowania nie znajdują się żadne przedmioty oraz że panel sterowania jest czysty i suchy – podczas czyszczenia należy postępować zgodnie z opisem w punkcie dotyczącym konserwacji i czyszczenia.
 - W przypadku wystąpienia błędu "F03" należy wyłączyć i ponownie włączyć płytę grzewczą.
 - W przypadku wystąpienia błędu "F04" należy skontaktować się z serwisem posprzedażowym i poinformować o numerze wyświetlanego kodu.

- Jeśli płyta kuchenna nie działa po intensywnym użytkowaniu, temperatura płyty jest zbyt wysoka. Oczekaj kilka minut, aż płyta kuchenna ostygnie.
- Cykliczne załączanie się i wyłączenie grzałki, nawet jeśli poziom mocy na wyświetlaczu nie ulega zmianie, jest częścią zwykłej pracy płyty. Cykl włączania/wyłączania umożliwia regulację mocy grzałki i jest całkowicie normalny. W niektórych przypadkach zabezpieczenie termiczne może wyłączyć na pewien czas grzałkę, aby zapobiec uszkodzeniu płyty. Może się to zdarzyć na przykład w następujących sytuacjach: długie gotowanie na wysokim poziomie mocy, używanie garnków mniejszych niż element grzejny, używanie garnków, których dno nie jest płaskie.
- Jeśli płyta emituje krótki dźwięk, a klient nie naciska żadnych przycisków, należy sprawdzić, czy nie doszło do rozlania płynu na panel sterowania. W takiej sytuacji należy osuszyć panel sterowania i kontynuować korzystanie z płyty. Jeśli płyta wyłączyła się automatycznie, przyczyną mogła być obecność płynu na panelu sterowania. W takiej sytuacji należy osuszyć panel sterowania i ponownie włączyć płytę.

Jeśli po przeprowadzeniu powyższych czynności urządzenie nadal nie działa prawidłowo, należy skontaktować się z najbliższym serwisem technicznym.

SERWIS TECHNICZNY

W celu uzyskania kompleksowej pomocy prosimy zarejestrować urządzenie na stronie www.indesit.com/register.

PRZED SKONTAKTOWANIEM SIĘ Z SERWISEM NALEŻY:

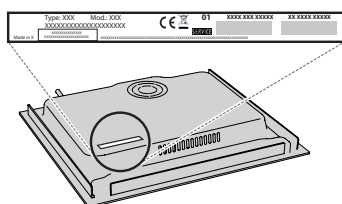
1. Sprawdzić, czy nie można samodzielnie rozwiązać problemu, zgodnie z zaleceniami opisanymi w paragrafie **USUWANIE USTEREK**.
2. Wyłączyć i ponownie włączyć urządzenie, aby sprawdzić, czy usterka nie ustąpiła.

JEŚLI PO PRZEPROWADZENIU POWYŻSZYCH CZYNNOŚCI URZĄDZENIE NADAL NIE DZIAŁA PRAWIDŁOWO, NALEŻY SKONTAKTOWAĆ SIĘ Z NAJBLIŻSZYM AUTORYZOWANYM SERWISEM TECHNICZNYM.

Aby otrzymać pomoc, należy zadzwonić pod numer znajdujący się w karcie gwarancyjnej lub postępować zgodnie z instrukcjami zamieszczonymi na stronie www.indesit.com.

Kontaktując się z naszym serwisem posprzedażnym, należy zawsze podać:

- krótki opis usterek;
- dokładny typ i model urządzenia;



- numer seryjny (numer po literach „SN” na tabliczce znamionowej znajdującej się pod urządzeniem). Numer seryjny jest również podany w dokumentacji;



- dokładny adres;
- numer telefonu

Jeśli konieczna będzie naprawa, należy zwrócić się do autoryzowanego serwisu technicznego (zapewni to gwarancję zastosowania oryginalnych części zamiennych oraz właściwie przeprowadzonej naprawy).

Zasady, standardową dokumentację oraz dodatkowe informacje o produkcie można znaleźć:

- Korzystanie z kodu QR w urządzeniu;
- Odwiedzając naszą stronę internetową docs.indesit.eu;
- Ewentualnie można, **skontaktować się naszą obsługą posprzedażową** (patrz numer telefonu w książeczce gwarancyjnej). W przypadku kontaktu z naszą obsługą posprzedażową, prosimy podać kody z tabliczki znamionowej produktu.



Kompletní návod k obsluze si stáhněte na stránce <http://docs.indesit.eu> nebo zavolejte na telefonní číslo uvedené v záručním listě.

Před použitím spotřebiče si přečtěte tyto bezpečnostní pokyny. Uschovejte si je po ruce pro další použití.

V tomto návodu a na samotném spotřebiči jsou uvedena důležitá bezpečnostní upozornění, která je nutné si přečíst a řídit se jimi. Výrobce odmítá nést jakoukoli zodpovědnost za nedodržení těchto bezpečnostních pokynů, za nevhodné používání spotřebiče nebo za nesprávné nastavení ovladačů.

⚠ VÝSTRAŽNÉ UPOZORNĚNÍ: Pokud je povrch varné desky popraskaný, zařízení nepoužívejte. Riziko elektrického šoku!

⚠ VÝSTRAŽNÉ UPOZORNĚNÍ: Nebezpečí požáru: Neskladujte položky na varném povrchu.

⚠ UPOZORNĚNÍ: Proces vaření musí probíhat pod kontrolou. Krátké vaření musí být neustále monitorováno.

⚠ VÝSTRAŽNÉ UPOZORNĚNÍ: Vaření pokrmů s obsahem tuku nebo oleje bez dozoru na varné desce může být nebezpečné. Riziko požáru! NIKDY se nepokoušejte požár uhasit vodou: Namísto toho spotřebič vypněte a plamen přikryjte, např. poklicí nebo žáruvzdornou dekou.

⚠ Varnou desku nepoužívejte jako pracovní plochu nebo podstavec. Do blízkosti spotřebiče nepokládejte oděvy nebo jiné hořlavé materiály, dokud veškeré součásti zcela nevychladnou. Riziko požáru!

⚠ Velmi malé děti (0–3 roky) by se neměly ke spotřebiči přibližovat. Malé děti (3–8 let) by se neměly ke spotřebiči přibližovat, pokud nejsou pod dozorem. Děti starší 8 let a osoby s fyzickým, smyslovým či duševním postižením nebo bez patřičných zkušeností a znalostí mohou tento spotřebič používat pouze pod dohledem nebo tehdy, pokud obdržely informace o bezpečném použití spotřebiče a pokud rozumějí rizikům, která s používáním spotřebiče souvisejí. Nedovolte dětem, aby si se spotřebičem hrály. Nedovolte dětem, aby bez dohledu prováděly čištění a běžnou údržbu spotřebiče.

⚠ VÝSTRAŽNÉ UPOZORNĚNÍ: Spotřebič a jeho přístupné součásti se při použití zahřívají. Je třeba dbát opatrnosti, abyste se nedotkli topných těles. Děti mladší 8 let se nesmějí ke spotřebiči přibližovat, pokud nejsou pod dohledem dospělé osoby.

POVOLENÉ POUŽITÍ

⚠ UPOZORNĚNÍ: Tento spotřebič není určen k řízení pomocí externího zařízení, jako je např. časovač, nebo samostatného systému dálkového ovládání.

⚠ Tento spotřebič je určen k použití v domácnosti a podobných zařízeních jako: kuchyňské kouty pro zaměstnance v obchodech, kancelářích a na jiných pracovištích; farmy; klienty hotelů, motelů, penzionů a jiných ubytovací zařízení.

⚠ Není přípustné používat jej jiným způsobem (např. k vytápění místnosti).

⚠ Tento spotřebič není určen pro profesionální použití. Nepoužívejte spotřebič venku.

INSTALACE

⚠ K přemísťování a instalaci spotřebiče jsou nutné minimálně dvě osoby – nebezpečí zranění. Při rozbalování a instalaci používejte ochranné rukavice – nebezpečí pořezání.

⚠ Instalaci, včetně připojení přívodu vody (pokud nějaký existuje) a elektřiny, a opravy musí provádět kvalifikovaný technik. Neopravujte ani nevyměňujte žádnou část spotřebiče, pokud to není výslovně uvedeno v návodu k použití. Nedovolte dětem, aby se přibližovaly k místu instalace. Po vybalení spotřebiče se přesvědčte, že nebyl při dopravě poškozen. V případě problémů se obraťte se na svého prodejce nebo na nejbližší servisní středisko. Po instalaci musí být obalový materiál (plasty, polystyrenová pěna atd.) uložen mimo dosah dětí – nebezpečí udušení. Před zahájením instalace je nutné spotřebič odpojit od elektrické sítě – nebezpečí úrazu elektrickým proudem. Během instalace se ujistěte, že zařízení nepoškozuje napájecí kabel – nebezpečí požáru a úrazu elektrickým proudem. Zařízení nezapínejte, dokud nebyla řádně ukončena instalace.

⚠ Je-li nutné skříňku přirýznout, proveďte tyto práce ještě před zasunutím spotřebiče na místo a pečlivě odstraňte všechny dřevěné třísky a piliny.

⚠ Pokud není spotřebič nainstalován nad troubou, do umístění pod spotřebičem je třeba nainstalovat i oddělovací panel (není součástí).

DŮLEŽITÁ UPOZORNĚNÍ TÝKAJÍCÍ SE ELEKTRICKÉHO ZAPOJENÍ

⚠ V souladu s národními bezpečnostními normami týkajícími se elektrických zařízení musí být možné odpojit spotřebič od elektrické sítě vytažením zástrčky, pokud je zástrčka přístupná, nebo, v souladu s pravidly pro zapojování, prostřednictvím vícepólového vypínače umístěného před zásuvkou a spotřebič musí být uzemněn.

⚠ Nepoužívejte prodlužovací kabely, sdružené zásuvky nebo adaptéry. Po provedení montáže nesmí být elektrické prvky spotřebiče pro uživatele přístupné. Nepoužívejte spotřebič, pokud jste mokří nebo bosí. Tento spotřebič nezapínejte, pokud je poškozený napájecí síťový kabel či zástrčka, pokud nefunguje správně nebo byl poškozen či došlo k jeho pádu.


⚠ Instalace pomocí zástrčky napájecího kabelu není povolena, pokud produkt již není vybaven tou, kterou poskytuje výrobce.

⚠ Jestliže je poškozený přívodní kabel, za identický ho smí vyměnit pouze výrobce, servisní technik nebo osoba s podobnou příslušnou kvalifikací, jinak by mohlo dojít k úrazu – riziko elektrického šoku!

ČIŠTĚNÍ A ÚDRŽBA

⚠ VÝSTRAŽNÉ UPOZORNĚNÍ: Než zahájíte jakoukoli údržbovou operaci, ujistěte se, že je spotřebič vypnutý

a odpojený od zdroje napájení; nikdy nepoužívejte parní
čistič – riziko elektrického šoku!

 Nepoužívejte abrazivní ani agresivní produkty, čisticí
prostředky s obsahem chloru ani drátěnky.

LIKVIDACE OBALOVÉHO MATERIÁLU

Obal je ze 100% recyklovatelného materiálu a je označen recyklačním znakem




Jednotlivé části obalového materiálu proto zlikvidujte odpovědně podle
platných místních předpisů.

LIKVIDACE DOMÁCÍCH ELEKTROSPOTŘEBIČŮ

Tento spotřebič byl vyroben z recyklovatelných nebo opakovaně použitelných
materiálů. Zlikvidujte jej podle místních předpisů pro likvidaci odpadu. Další
informace o likvidaci, renovaci a recyklaci elektrických spotřebičů získáte na místním
úřadě, v podniku pro sběr domácího odpadu nebo v obchodě, kde jste spotřebič
zakoupili. Tento spotřebič je označen v souladu s evropskou směrnicí 2012/19/
EU o odpadních elektrických a elektronických zařízeních (OEEZ) a nařízeními o
odpadních elektrických a elektronických zařízeních 2013 (včetně dodatků).

Zajištěním správné likvidace tohoto výrobku pomůžete zabránit negativním
vlivům na životní prostředí a lidské zdraví.

Symbol  na výrobku nebo příslušných dokladech udává, že tento výrobek nesmí
být likvidován společně s domácím odpadem, nýbrž je nutné jej odevzdat do
příslušného sběrného střediska k recyklaci elektrických a elektronických zařízení.

RADY K ÚSPORĚ ELEKTRICKÉ ENERGIE

Vytěžte maximum i ze zbytkového tepla, a to tak, že ploténku vypnete několik
minut před dokončením vaření.

Dno hrnce či pánve by mělo zakrývat celou plochu ploténky; při použití nádoby,
jejíž dno je menší než ploténka, dochází k plýtvání energií.

Během vaření přikryvejte hrnce a pánve dobře těsnící pokličkou a používejte
co nejméně vody. Vařením bez pokličky se citelně zvýší spotřeba energie.

Používejte pouze hrnce a pánve s plochým dnem.

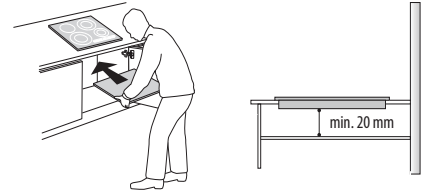
PROHLÁŠENÍ O SHODĚ

Tento spotřebič splňuje požadavky na ekodesign evropského nařízení 66/2014 a
nařízení o ekodesignu výrobků spojených se spotřebou energie a informacích o
energii (dodatek) (EU Exit) 2019 v souladu s evropskou normou EN 60350-2.



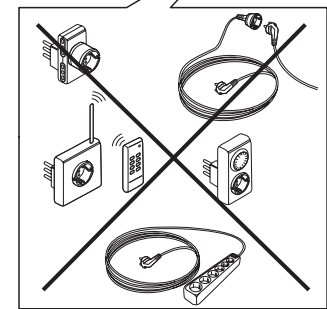
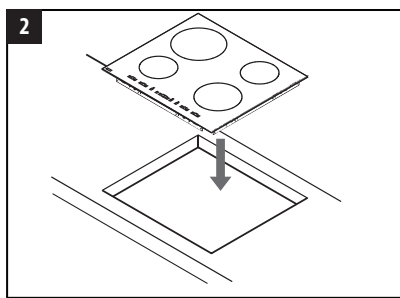
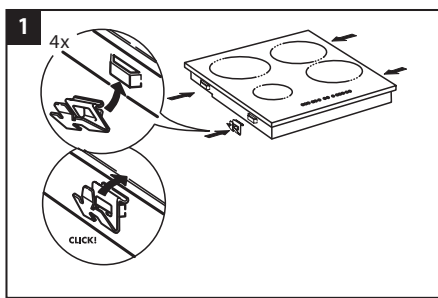
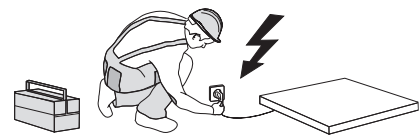
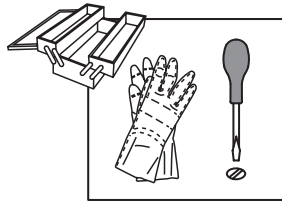
INSTALACE

- Varná deska musí být zasazena do pracovní desky hluboké alespoň 20 mm.
- Mezi varnou deskou a troubou se nesmí nacházet žádné jiné součásti (příčné lišty, svorky atd.).
- Ujistěte se, že je napájecí kabel dostatečně dlouhý, aby umožňoval pohodlnou instalaci.
- Vzdálenost mezi spodní plochou sklokeramické varné desky a skříňkou či dělicím panelem musí být alespoň 20 mm.
- Informace o rozměrech pro vestavbu a instalaci naleznete na obrázku v tomto odstavci.
- Je třeba dodržet minimální vzdálenost mezi varnou deskou a nad ní se nacházející digestoří. Více informací získáte v příručce pro uživatele digestoře.
- Po očištění povrchu varnou desku opatříte dodaným těsněním (pokud již nebylo nasazeno).
- **Nikdy varnou desku neinstalujte do blízkosti myčky nádobí či pračky. Elektrické rozvody by v takovém případě mohly přijít do kontaktu s párou nebo vlhkostí a mohlo by je to poškodit.**
- Pokud je pod varnou deskou nainstalována trouba, ujistěte se, že je vybavena systémem chlazení. Pokud totiž teplota elektronických obvodů překročí maximální přípustnou teplotu, varná deska se automaticky vypíná; v takovém případě vyčkejte několik minut, dokud vnitřní teplota elektronických obvodů neklesne na přijatelnou úroveň a varnou desku bude možné opět zapnout.

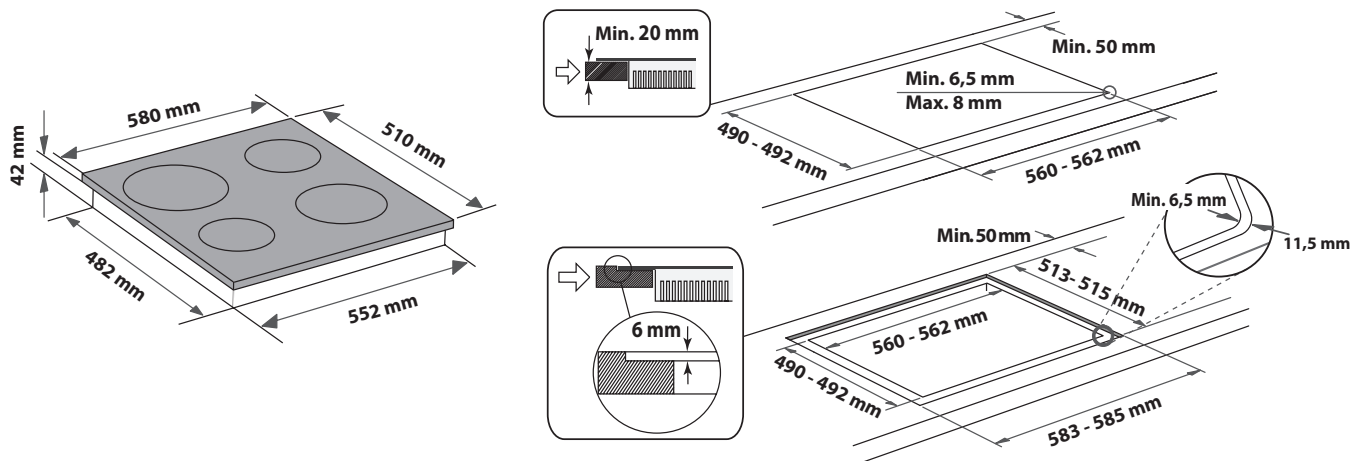
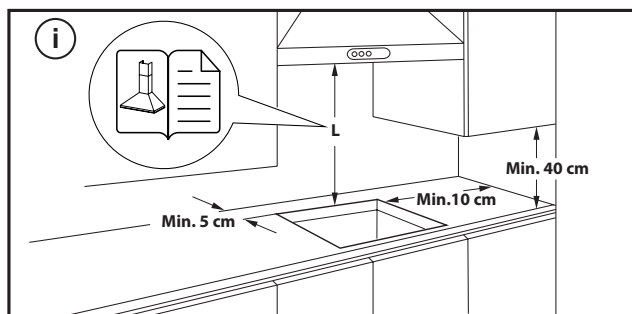


VESTAVBA VARNÉ DESKY

Po zapojení elektrické instalace (viz kapitolu "Elektrická instalace") umístěte jednotlivé příponky na příslušné otvory po stranách varné desky, jak je znázorněno na obrázku. Poté varnou desku zasuňte do výřezu a zkontrolujte, zda je sklo ploché a rovnoběžné s pracovní deskou. Tyto příponky jsou určeny pro všechny typy materiálů pracovních desek (dřevo, mramor atd.).



ROZMĚRY A VZDÁLENOSTI, KTERÉ JE TŘEBA DODRŽET



DEMONTÁŽ VARNÉ DESKY:

Chcete-li varnou desku vyjmout, nejprve ji odpojte od elektrické sítě. Důrazně se doporučuje uvolnit spodní část z trouby, zásuvky, separátoru nebo jiného spotřebiče. Umožňuje technikovi přístup ke spodní části varné desky, aby mohl uvolnit čtyři spony pomocí šroubováku, zvedat varnou desku a vyjmout ji, čímž se zabrání jakémukoli poškození pracovní desky.

PŘIPOJENÍ K ELEKTRICKÉ SÍTI

Připojení k elektrické síti musí být provedeno ještě před připojením spotřebiče ke zdroji elektřiny.

Napájecí kabel není součástí balení - nezapomeňte si připravit vlastní napájecí kabel.




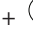
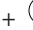
Instalaci musí provést kvalifikovaný pracovník obeznámený s platnými bezpečnostními předpisy a předpisy o elektrické instalaci. Instalace se musí provádět výslovně podle předpisů lokálního dodavatele elektrické energie.

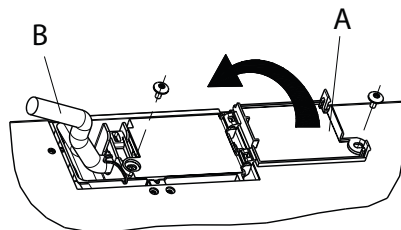
Zkontrolujte, zda údaj o napětí uvedený na typovém štítku na spodní straně spotřebiče odpovídá napětí v domácí síti.

Předpisy vyžadují, aby byl spotřebič uzemněn: použijte pouze vodiče (včetně zemního), které mají odpovídající délku.

PŘIPOJENÍ KE SVORKOVNICI

Po připojení k elektrické síti použijte typ kabelu H05RR-F nebo H05V2V2-F podle níže uvedené tabulky.

NAPÁJECÍ NAPĚTÍ	VODIČE (POČET x VELIKOST)
220-240V ~+ 	3 x 4 mm ²
230-240V ~+ 	3 x 4 mm ² (pouze Austrálie)
220-240V 3~+ 	4 x 1,5 mm ²
380-415V 3N~+ 	5 x 1,5 mm ²
380-425V 2N~+ 	4 x 1,5 mm ²



Spotřebič musí být ke zdroji el. napájení připojen pomocí všepólového odpojovacího zařízení s minimální vzdáleností mezi kontakty 3 mm.

POZOR: Napájecí kabel musí být dostatečně dlouhý, aby umožnil vyjmutí varné desky z pracovní desky, a musí být umístěn tak, aby nemohlo dojít k poškození nebo přehřátí způsobenému kontaktem se základnou.

POZNÁMKA: Žlutý/zelený zemnicí vodič musí být připojen k výstupu označenému symbolem  a musí být delší než ostatní vodiče.

- Z napájecího kabelu (**B**) odstraňte asi 70 mm dlouhou část pláště.
- Z vodičů odstraňte plášť v délce přibližně 10 mm. Poté napájecí kabel zasuňte do kabelové svorky a vodiče připojte ke svorkovnici, jak je vyznačeno ve schématu zapojení umístěném poblíž samotné svorkovnice.
- Napájecí kabel (**B**) zajistěte pomocí kabelové svorky.
- Uzavřete svorkovnici krytem (**A**) a zajistěte dodanými šrouby.
- Po připojení k elektrické síti varnou desku shora nasadte ji připevněte k upevňovacím pružinám.



DĚKUJEME VÁM, ŽE JSTE SI ZAKOUPILI VÝROBEK
ZNAČKY WHIRLPOOL

Přejete-li si získat plnou podporu, zaregistrujte svůj
výrobek na www.indesit.com/register.

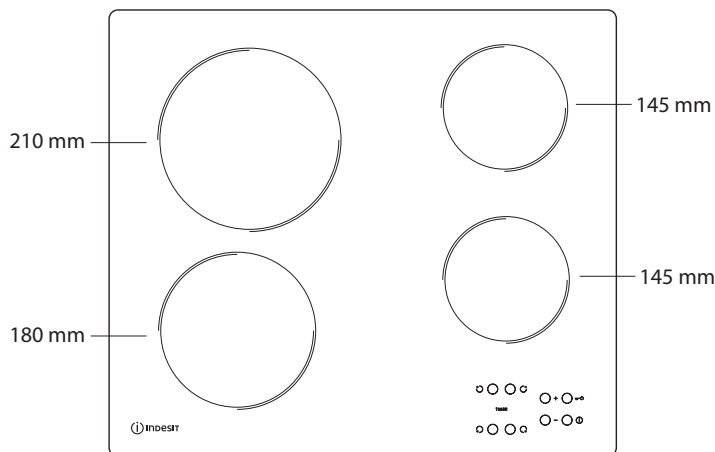


Před použitím spotřebiče si pečlivě přečtěte
bezpečnostní pokyny.

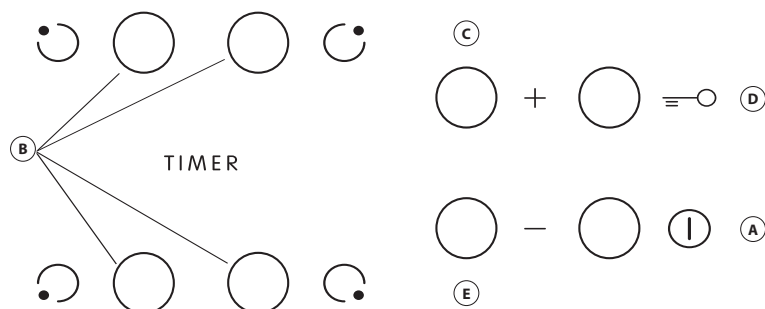
ABYSTE ZÍSKALI VÍCE INFORMACÍ,
NASKENUJTE PROSÍM QR KÓD NA
VAŠEM SPOTŘEBIČI



POPIS PRODUKTU



OVLÁDACÍ PANEL



- A** Zapnutí/vypnutí
- B** Varná zóna a výběr časovače
- C-E** Zvýšení a snížení nastavení teploty
- D** Zámek tlačítek

PŘED PRVNÍM POUŽITÍM

Po prvotní montáži provede ovládací panel test funkčnosti, který bude trvat asi 1 sekundu. Následně bude automaticky aktivována funkce "Zámek tlačítek". Chcete-li tuto funkci deaktivovat, podržte stisknuté tlačítko "D". Ozve se zvukový signál a zhasne příslušná kontrolka led.

POZNÁMKA: Pokud dojde k resetování spotřebiče, opakujte výše popsaný postup.

KAŽDODENNÍ POUŽÍVÁNÍ



ZAPNUTÍ/VYPNUTÍ VARNÉ DESKY

Chcete-li zapnout varnou desku, podržte stisknuté tlačítko "A" po dobu přibližně 2 sekund. Na všech 4 displejích ve varné zóně se rozsvítí hodnota "0". Pokud do 20 sekund nedojde k aktivaci žádné z varných zón, varná deska se z bezpečnostních důvodů automaticky vypne.

ZAPNUTÍ A NASTAVENÍ VARNÉ ZÓNY

Stiskněte tlačítko "B" příslušné varné zóny, kterou chcete použít. Pomocí tlačítek "E" a "C" zvolte požadované nastavení teploty. Při vaření můžete zvolit nastavení od 1 do 9. Všechna nastavení můžete zrušit současným stisknutím tlačítek "+/-".

DŮLEŽITÉ UPOZORNĚNÍ: tento ovládací prvek se deaktivuje 10 sekund po nastavení teploty.

Chcete-li změnit nastavení teploty, stiskněte nejprve tlačítko volby "B" a následně změňte nastavení pomocí tlačítek "E" a "C".

TIMER (ČASOVAČ)

Chcete-li nastavit funkci časovače, zvolte požadovanou varnou zónu a stupeň výkonu a stiskněte znovu tlačítko varné zóny. Na displeji této varné zóny řízené časovačem se rozsvítí tečka. Na obou displejích bude blikat hodnota "00". Požadovaný čas od 1 do 99 nastavte pomocí tlačítek "C" a "E".

DŮLEŽITÉ UPOZORNĚNÍ: po 10 sekundách se na displeji časovače zobrazí nastavení stupně výkonu ostatních varných zón.

Chcete-li zobrazit zbývající čas vaření, stiskněte dvakrát tlačítko varné zóny řízené časovačem.

FUNKCE A

Tato funkce umožňuje automaticky snížit úroveň výkonu varné zóny z nejvyšší hodnoty (úroveň 9) na hodnotu zvolenou uživatelem pro pozdější fázi vaření. Pro aktivaci této funkce nejprve stiskněte tlačítko "+", když dosáhnete úrovně 9. Na displeji se zobrazuje "A" a "9" bliká střídavě s nízkým jasnem. V tomto okamžiku zvolte požadovanou úroveň výkonu (méně než 9) pomocí tlačítka "-".

Na displeji střídavě bliká "A" a zvolená úroveň s nízkým jasem. Funkce se aktivuje, když "A" a zvolená úroveň bliká střídavě s vysokým jasem na displeji.

Jakmile se na displeji nezobrazí "A" (funkce "A" se po několika minutách automaticky vypne v závislosti na nastaveném výkonu), proces vaření pokračuje s nižším výkonem a na displeji se zobrazí pouze zvolený výkon.

POZNÁMKA: tato funkce není možná na úrovni 9.

ZÁMEK TLAČÍTEK

Funkci zámek tlačítek zapnete tak, že podržíte stisknuté tlačítko "D" tak dlouho, dokud se nad tlačítkem této funkce nerozsvítí tečka. Ovládací panel se uzamkne a dostupná zůstane pouze možnost vypnutí funkce. Funkce zůstává zapnutá dokonce i po vypnutí a opětovném zapnutí varné desky. Deaktivovat ji můžete tak, že opět podržíte stisknuté tlačítko "D", a to tak dlouho, dokud tečka nad tlačítkem funkce nezhasne.

Když je varná deska vypnutá s aktivovaným zámek tlačítek pro zapnutí varné desky, nejprve deaktivujte funkci zámku tlačítek opětovným stisknutím tlačítka "D", dokud tečka nad funkčním tlačítkem nezmizí.

Funkce zámek tlačítek se může náhodně aktivovat či deaktivovat, pokud se na ovládací tlačítko pod symbolem rozlije voda či jiná tekutina z hrnců nebo pokud do této oblasti něco odložíte.

UKAZATEL ZBYTKOVÉHO TEPLA

Po vypnutí varné zóny zůstává ukazatel zbytkového tepla "H" zapnutý nebo bliká střídavě s hodnotou "0", dokud teplota varné desky nepoklesne na bezpečnou úroveň.

DŮLEŽITÉ UPOZORNĚNÍ: Mezi bezpečnostní prvky varné desky patří také funkce automatického vypnutí. Delší vaření při stejném nastavení teploty

spouští automatické vypnutí varné zóny (varná zóna se například vypne přibližně po 1 hodině vaření s maximálním nastavení teploty).

DŮLEŽITÉ: Aby nedošlo k trvalému poškození varné desky:

- nepoužívejte nádoby, které nemají ploché dno,
- nepoužívejte kovové hrnce se smaltovaným dnem,
- na ovládací panel nepokládejte horké hrnce/pánve.

Varná deska je také vybavena funkcí "automatického vypnutí", která vypne varnou zónu, pokud po určité době v závislosti na samotném nastavení výkonu neprovedete žádnou změnu úrovně výkonu. V tabulce je doba trvání každé úrovně výkonu.

STUPEŇ VÝKONU	ČAS AUTOMATICKÉHO VYPNUTÍ
0	30 sekund
1	10 hodin
2	5 hodin
3	5 hodin
4	4 hodiny
5	3 hodiny
6	2 hodiny
7	2 hodiny
8	2 hodiny
9	1 hodina

TABULKA PEČENÍ

TEPLOTNÍ STUPEŇ		TYP TEPELNÉ ÚPRAVY	POUŽITÍ VARNÉHO STUPNĚ (použití závisí na zkušenostech a kuchařských návycích)
Maximální výkon	9	Funkce Boiling (Vaření)	Toto nastavení se hodí pro případy, kdy je třeba rychle zahřát jídlo či tekuté suroviny nebo přivést vodu k varu.
	9-8	Opékání	Toto nastavení se hodí k restování, smažení zmrazených potravin, rychlé vaření i pro základní tepelnou úpravu.
Vysoká teplota	8-7	Opékání dokřupava – udržení varu – grilování	Toto nastavení se hodí k opékání dokřupava, udržování varu při vysoké teplotě, vaření a grilování (rychlé, 5–10 minut).
	7-6	Smažení – vaření – grilování	Toto nastavení se hodí ke smažení, udržování varu, vaření, opékání (středně rychlé, 10–20 minut) a předehřívání.
Střední teplota	6-5	Jemné smažení	Ideální na smažení vajec, omelet.
	5-4	Vaření – ohřívání – dušení	Toto nastavení se hodí k pomalému vaření (rýže, omáčky, maso, ryby) s tekutinami (např. vodou, vínem, vývarem, mlékem) či k závěrečné úpravě těstovinových pokrmů.
	4-3	Zatažení – povaření těstovin s máslem	
Nízká teplota	2-1	Udržování teploty jídla – konečná úprava rizota	Ideální pro udržování právě uvařeného jídla horkého (např. omáčky, polévky, minestrone), konečná úprava rizota a udržování teploty podávaných pokrmů.
Minimální výkon	1	Rozmrazování	Ideální k rozmrazování malých kousků a opatrnému rozpouštění čokolády nebo másla.
Nulový výkon	0	-	Varná deska v pohotovostním nebo vypnutém režimu (možné zbytkové teplo na konci vaření, indikuje "H").

ČIŠTĚNÍ A ÚDRŽBA

Odpojte spotřebič od elektrické sítě.

- Nepoužívejte parní čistič.
- K čištění nepoužívejte hrubé houbičky ani drátěnky, protože ty mohou poškodit sklo.
- Po každém použití varnou desku vyčistěte (po zchladnutí), aby se odstranily usazeniny a skvrny od zbytků pokrmů.

- Cukr nebo potraviny s vysokým obsahem cukru mohou poškodit varnou desku a je nutné je ihned odstranit.
- Sůl, cukr a písek mohou poškrábat skleněný povrch desky.
- K čištění desky používejte jemný hadřík, absorpční kuchyňské utěrky nebo speciální čisticí pomůcky na varnou desku (respektujte pokyny výrobce).
- Rozlité tekutina ve varných zónách může být příčinou pohybu nebo vibrací hrnců.
- Po vyčištění varnou desku důkladně vysušte.

ODSTRAŇOVÁNÍ ZÁVAD

Pokud varná deska nepracuje správně, před kontaktováním servisního střediska se pokuste určit příčinu problému podle následujících pokynů.

- Přečtěte si a dodržujte pokyny uvedené v části "Každodenní používání".
- Zkontrolujte, zda nedošlo k výpadku proudu.
- Po vyčištění varnou desku důkladně vysušte.
- Pokud byla zvolena varná zóna a na displeji se zobrazí "F" nebo "ER" následované číslem, kontaktujte poprodejní servis a informujte je.
- Pokud je kód chyby "F03", "ER03" nebo "E02", zkuste to vyřešit podle následujících pokynů:
 - Pokud se objeví chyba "E02", ujistěte se prosím, že jste nestiskli tlačítka déle než 5 sekund, v oblasti HMI není žádný předmět a že je čistá a suchá - při čištění dodržujte odstavec Čištění a údržba.
 - Pokud se objeví chyba "F03", zkuste varnou desku vypnout a znovu zapnout.
 - Pokud se objeví chyba "F04", kontaktujte poprodejní servis a sdělte jim, který kód je zobrazen.
- Jestliže varná deska nefunguje po intenzivním používání, je vnitřní teplota varné desky příliš vysoká. Počkejte několik minut, až varná deska vychladne.

- Pokud ohřívač není trvale zapnutý, ale cyklicky se zapíná a vypíná, i když se na displeji úroveň výkonu nemění, je to součástí normální funkce varné desky. Cyklus zapnutí/vypnutí umožňuje regulaci výkonu ohřívače a je zcela normální. V některých případech může tepelná ochrana na určitou dobu vypnout ohřívač, aby nedošlo k poškození skla. Příklady takových případů jsou: vaření po dlouhou dobu při vysokém výkonu s použitím hrnců menších než topné těleso a hrnců bez plochého dna.
- Pokud varná deska vydává krátký zvuk, aniž by zákazník stiskl jakékoli tlačítko, postarejte se o případné rozlité kapaliny na HMI. Osušte HMI a pokračujte v používání varné desky. Pokud se varná deska automaticky vypnula, může to být způsobeno přítomností kapaliny na HMI. Osušte, prosím, HMI a znovu zapněte varnou desku.

Jestliže problém přetrvává i po provedení výše uvedených kroků, kontaktujte nejbližší servisní středisko.

SERVISNÍ STŘEDISKO

Přejete-li si získat plnou podporu, zaregistrujte svůj výrobek na www.indesit.com/register.

NEŽ ZAVOLÁTE DO SERVISNÍHO STŘEDISKA POPRODEJNÍCH SLUŽEB:

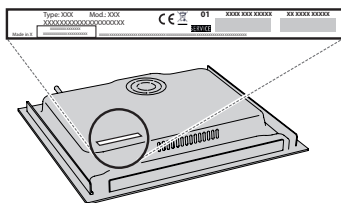
1. Ověřte si, zda nemůžete problém vyřešit sami pomocí doporučení popsaných v oddílu **ODSTRAŇOVÁNÍ ZÁVAD**.
2. Vypněte spotřebič a opět ho zapněte, abyste zjistili, zda porucha stále trvá.

JESTLIŽE PORUCHA PŘETRVÁVÁ I PO PŘEVEDENÍ VÝŠE UVEDENÝCH KROKŮ, ZAVOLEJTE DO NEJBLIŽŠÍHO SERVISNÍHO STŘEDISKA.

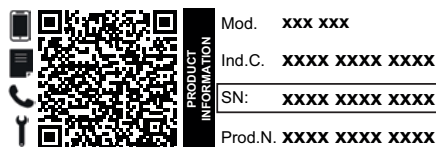
Pro asistenční služby volejte na číslo uvedené v záruční knížce nebo postupujte podle pokynů na webových stránkách www.indesit.com.

Pokud se obrácíte na náš zákaznický poprodejní servis, vždy upřesněte:

- stručný popis poruchy;
- přesný typ a model spotřebiče;



- sériové číslo (číslo za slovem SN na typovém štítku pod spotřebičem). Sériové číslo je rovněž uvedeno v dokumentaci;



- svou úplnou adresu;
- své telefonní číslo.

Jestliže je nutná oprava, obraťte se na autorizované servisní středisko, abyste měli jistotu, že budou použity originální náhradní díly a oprava bude provedena správně).

Zásady, standardní dokumentaci a další informace o výrobku naleznete:

- Načtením QR kódu ve vašem spotřebiči;
- Při navštívení naší webové stránky docs.indesit.eu;
- Případně **kontaktujte nás poprodejní servis** (telefonní číslo naleznete v záručním listě). Při kontaktování našeho poprodejního servisu prosím uveďte kódy na identifikačním štítku produktu.



BEZPEČNOSTNÉ POKYNY

DÔLEŽITÉ! PREČÍTAJTE SI A DODRŽIAVAJTE

Kompletný návod si môžete stiahnuť na <http://docs.indesit.eu> alebo zavolajte na telefónne číslo uvedené v záručnej knižke.

Pred použitím spotrebiča si starostlivo prečítajte tieto bezpečnostné pokyny. Odložte si ich, aby boli k dispozícii pre budúce použitie.

V týchto pokynoch a na samotnom spotrebiči sú uvedené dôležité upozornenia týkajúce sa bezpečnosti, ktoré treba vždy dodržiavať. Výrobca odmieta zodpovednosť v prípade nedodržania týchto bezpečnostných pokynov, nenáležitého používania spotrebiča alebo nesprávneho nastavenia ovládania.

⚠ **POZOR!** Ak je varný panel puknutý, spotrebič nepoužívajte – nebezpečenstvo zásahu elektrickým prúdom.

⚠ **POZOR!** Nebezpečenstvo požiaru: neskladujte predmety na varných povrchoch.

⚠ **UPOZORNENIE:** Pri varení musí byť spotrebič pod dohľadom. Pri krátkodobom varení musí byť spotrebič pod nepretržitým dohľadom.

⚠ **POZOR!** Varenie na tuku alebo oleji bez dozoru môže predstavovať nebezpečenstvo a môže mať za následok vznik požiaru. NIKDY sa nepokúšajte uhasiť oheň vodou! Namiesto toho spotrebič vypnite a potom plameň zakryte, napríklad pokrievkou alebo požiarnym rúškom.

⚠ Nepoužívajte varnú dosku ako pracovnú alebo odkladaciu plochu. Oblečenie a iné horľavé materiály uchovávajte mimo spotrebiča, kým všetky komponenty úplne nevychladnú – hrozí nebezpečenstvo vzniku požiaru.

⚠ Veľmi malé deti (0 – 3 roky) by sa nemali zdržiavať v okolí spotrebiča. Malé deti (3 – 8 roky) by sa nemali zdržiavať v okolí spotrebiča, pokiaľ nie sú pod stálym dohľadom. Deti od 8 rokov a osoby so zníženými fyzickými, zmyslovými a mentálnymi schopnosťami alebo s nedostatkom skúseností a znalostí môžu používať tento spotrebič len v prípade, ak sú pod dozorom alebo dostali pokyny týkajúce sa používania spotrebiča bezpečným spôsobom a chápu hroziace nebezpečenstvá. Deti sa so spotrebičom nesmú hrať. Čistenie a používateľskú údržbu nesmú vykonávať deti bez dozoru.

⚠ **POZOR!** Spotrebič a jeho prístupné časti sa počas používania zahrievajú. Dávajte pozor, aby ste sa nedotkli ohrevných článkov. Nedovoľte, aby sa deti mladšie ako 8 rokov priblížili k rúre, pokiaľ nie sú nepretržite pod dozorom.

POVOLENÉ POUŽÍVANIE

⚠ **UPOZORNENIE:** spotrebič nie je určený na ovládanie externým vypínačom, ako je časovač alebo samostatný systém diaľkového ovládania.

⚠ Tento spotrebič je určený na použitie v domácnosti alebo na podobné účely ako napr.: v oblastiach kuchyniek pre personál v dielňach, kanceláriách a iných pracovných prostrediach; na farmách; pre hostí v hoteloch, motelloch alebo iných ubytovacích zariadeniach.

⚠ Nie je povolené používať ho na iné účely (napr. vykurovanie miestností).

⚠ Tento spotrebič nie je určený na profesionálne používanie. Spotrebič nepoužívajte vonku.

INŠTALÁCIA

⚠ So spotrebičom musia manipulovať a inštalovať ho minimálne dve osoby – riziko zranenia. Pri vybalovaní a inštalovaní používajte ochranné rukavice – riziko porezania.

⚠ Inštaláciu, vrátane prívodu vody (ak je) a elektrického zapojenia a taktiež opravy musí vykonávať kvalifikovaný technik. Nikdy neopravujte ani nevymieňajte žiadnu časť spotrebiča, ak to nie je výslovne uvedené v návode na používanie. Nepúšťajte deti k miestu inštalácie. Po vybalení spotrebiča sa uistite, že sa počas prepravy nepoškodil. V prípade problémov sa obráťte na predajcu alebo popredajný servis. Po inštalácii uložte odpad z balenia (plastové a polystyrénové časti a pod.) mimo dosahu detí – nebezpečenstvo udusenía. Pred vykonávaním inštalačných prác musíte spotrebič odpojiť od elektrického napájania – nebezpečenstvo zásahu elektrickým prúdom. Počas inštalácie dávajte pozor, aby ste spotrebičom nepoškodili napájací kábel – nebezpečenstvo požiaru alebo zásahu elektrickým prúdom. Spotrebič zapnite až po úplnom dokončení inštalácie.

⚠ Pred vsadením spotrebiča do skrinky urobte všetky potrebné výrezy a z otvoru odstráňte odrezky a piliny.

⚠ Ak spotrebič nie je inštalovaný nad rúrou, je potrebné do priehradky pod spotrebičom nainštalovať oddeľovací panel (nie je priložený).

VAROVANIA PRI POUŽÍVANÍ ELEKTRICKÉHO SPOTREBIČA

⚠ Spotrebič sa musí dať odpojiť od napájania buď vytiahnutím zástrčky, pokiaľ je ľahko dostupná, alebo prostredníctvom prístupného viacpólového prepínača nainštalovaného pred zásuvkou a spotrebič musí byť uzemnený v súlade s národnými bezpečnostnými normami pre elektrotechniku.


⚠ Nepoužívajte predlžovacie káble, rozvojky ani adaptéry. Po inštalácii spotrebiča nesmú byť jeho elektrické časti prístupné používateľom. Nepoužívajte spotrebič, ak ste mokří alebo bosí. Spotrebič nepoužívajte, ak má poškodený napájací kábel alebo zástrčku, ak nefunguje správne, či ak bol poškodený alebo spadol.

⚠ Inštalácia použitím zástrčky napájacieho kábla nie je povolená, pokiaľ výrobok nemá už takúto výbavu dodanú výrobcom.


⚠ Ak je poškodený napájací elektrický kábel, musí ho vymeniť výrobca, jeho autorizovaný servis alebo podobne kvalifikovaná osoba, aby sa predišlo nebezpečenstvu zásahu elektrickým prúdom.

ČISTENIE A ÚDRŽBA

⚠ **POZOR!** Pred vykonávaním údržby dbajte, aby bol spotrebič vypnutý alebo odpojený od elektrického napájania; nikdy nepoužívajte zariadenie na čistenie parou – nebezpečenstvo zásahu elektrickým prúdom.

 Nepoužívajte abrazívne alebo korozívne prostriedky, čističe s obsahom chlóru alebo drôtenky na panvice.

LIKVIDÁCIA OBALOVÉHO MATERIÁLU


Obalové materiály sa môžu na 100 % recyklovať a sú označené symbolom recyklácie .

Rôzne časti obalu likvidujte zodpovedne, v úplnom súlade s platnými predpismi miestnych orgánov, ktorými sa riadi likvidácia odpadov.

LIKVIDÁCIA DOMÁCICH SPOTREBIČOV

Tento spotrebič je vyrobený z recyklovateľných a znovu použiteľných materiálov. Zlikvidujte ho v súlade s miestnymi predpismi o likvidácii odpadov. Podrobnejšie informácie o zaobchádzaní, obnove a recyklácii domácich spotrebičov dostanete na príslušnom miestnom úrade, v zberných strediskách alebo v obchode, kde ste spotrebič kúpili. Tento spotrebič je označený v súlade so smernicou Európskeho parlamentu a Rady 2012/19/EÚ o odpade z elektrických a elektronických zariadení (OEEZ) a s predpismi o odpade z elektrických a elektronických zariadení z r. 2013 (v platnom znení).

Zabezpečením správnej likvidácie výrobku pomôžete predchádzať potenciálnym negatívnym dopadom na životné prostredie a ľudské zdravie.

Symbol  na spotrebiči alebo na sprievodných dokumentoch znamená, že s týmto výrobkom sa nesmie zaobchádzať ako s domácim odpadom, ale je potrebné odovzdať ho v zbernom dvore pre elektrické a elektronické zariadenia.

RADY NA ÚSPORU ELEKTRICKEJ ENERGIE

Horúcu platňu vypnite zopár minút pred dokončením varenia, čím maximálne využijete zvyškové teplo.

Dno hrnca alebo panvice by malo horúcu platňu celkom zakryvať; pri používaní nádoby menšej, než je horúca platňa, sa plytvá energiou.

Hrnce a panvice prikrývajte priliehajúcimi pokrievkami a používajte čo najmenej vody. Varenie bez pokrievky značne zvýši spotrebu energie.

Používajte iba panvice a hrnce s rovným dnom.

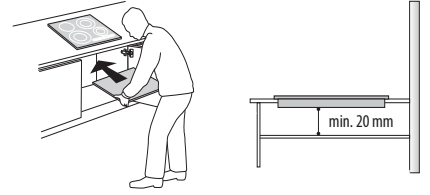
VYHLÁSENIE O ZHODE

Tento spotrebič spĺňa požiadavky nariadenia Komisie (EÚ) 66/2014 na ekodizajn a predpisy z roku 2019 o ekodizajne energeticky významných výrobkov a energetických informáciách (dodatok) (výstup z EÚ) v súlade s európskou normou EN 60350-2.



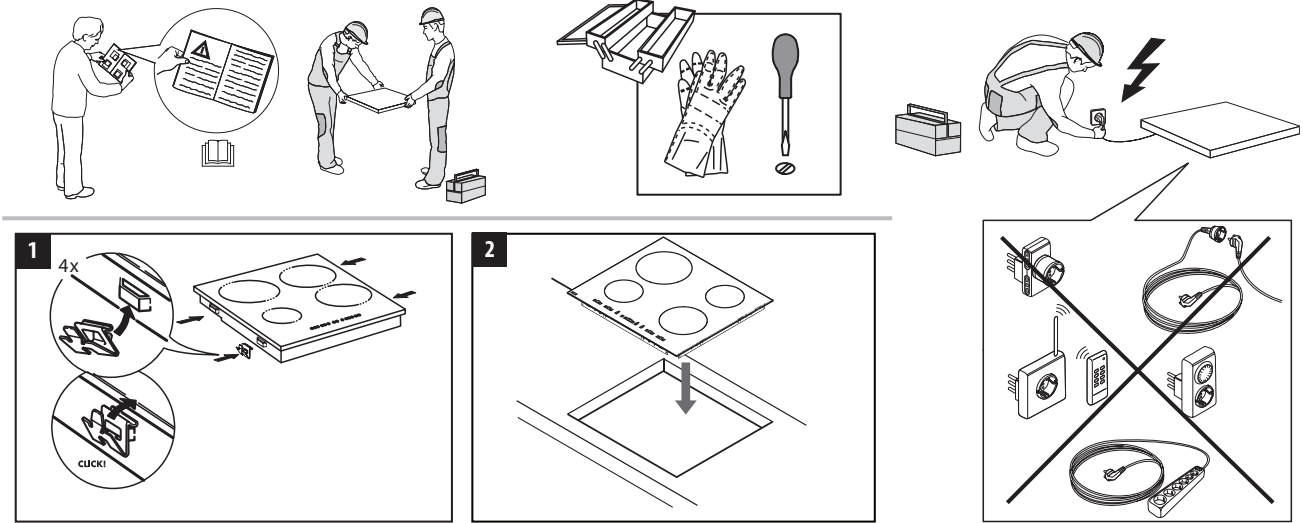
INŠTALÁCIA

- Varná doska musí byť osadená do pracovnej dosky hĺbky minimálne 20 mm.
- Medzi varnou doskou a rúrou nesmie byť nič (priechníky, konzoly a pod.).
- Uistite sa, že napájací kábel je dostatočne dlhý, aby umožnil pohodlnú inštaláciu.
- Vzdialenosť medzi spodnou stranou sklokeramickej varnej dosky a skrinkou alebo deliacim panelom musí byť najmenej 20 mm.
- Rozmery pre zabudovanie a inštaláciu nájdete na obrázku v tomto odseku.
- Je potrebné dodržať minimálnu vzdialenosť medzi varnou doskou a digestorom nad ňou. Viac informácií nájdete v návode na používanie digestora.
- Po vyčistení povrchu varnej dosky nasadte priložené tesnenie (pokiaľ ešte nie je nasadené).
- **Neinštalujte varnú dosku do blízkosti umývačky riadu alebo práčky, aby sa elektronické obvody nedostali do kontaktu s parou alebo vlhkosťou, ktoré ich môžu poškodiť.**
- Ak je pod varnou doskou nainštalovaná rúra, presvedčte sa, či je vybavená chladiacim systémom. Ak teplota elektrických obvodov presahuje maximálnu povolenú teplotu, varná doska sa automaticky vypne. V takom prípade počkajte zopár minút, kým vnútorná teplota elektrických obvodov dosiahne prípustnú úroveň, a vtedy bude možné varnú dosku znova zapnúť.

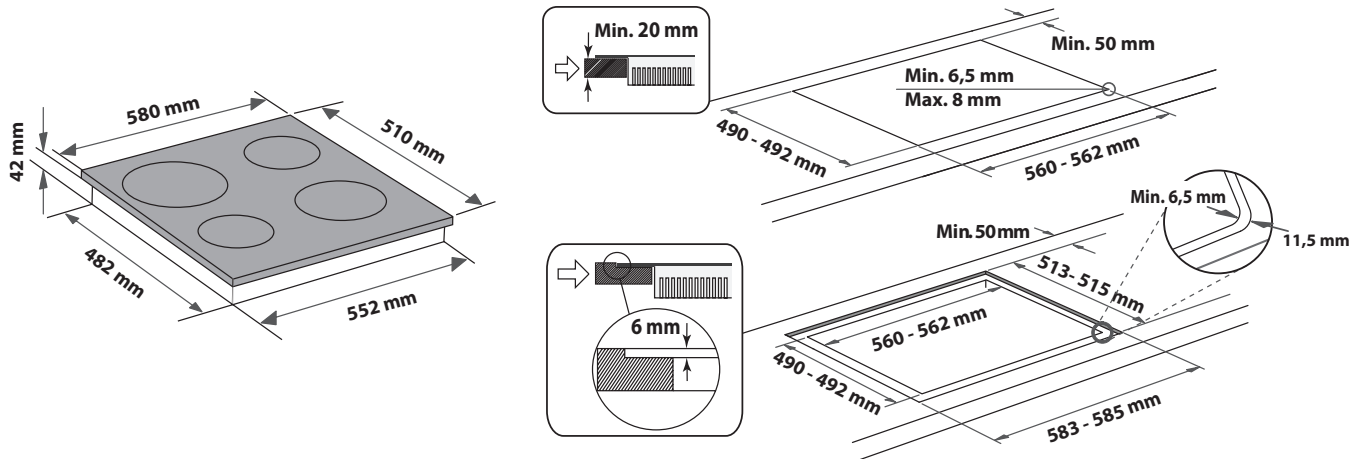
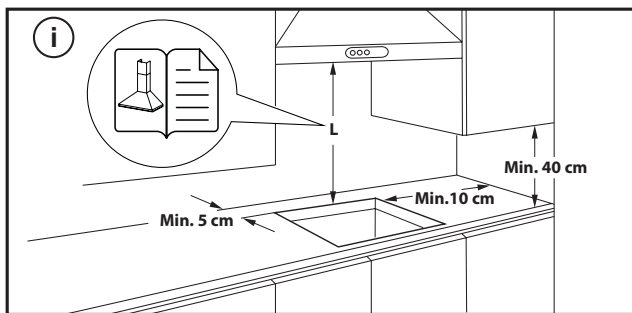


UMIESTNENIE VARNEJ DOSKY

Po elektrickom zapojení (pozrite kapitolu Zapojenie do elektrickej siete). Umiestnite každú upevňovaciu svorku do príslušného otvoru na bočných stranách varnej dosky, ako je zobrazené na obrázku. Potom zatlačte varnú dosku do výrezu a skontrolujte, či je sklo rovné a paralelné s pracovnou doskou. Upevňovacie svorky sú určené na každý typ materiálu pracovnej dosky (drevo, mramor a pod.).



ROZMERY A VZDIALENOSTI, KTORÉ TREBA DODRŽIAVAŤ



DEMONTÁŽ VARNEJ DOSKY:

Ak chcete varnú dosku vybrať, najskôr ju odpojte od elektrickej siete. Dôrazne sa odporúča uvoľniť spodnú časť od rúry, zásuvky, separátora alebo iného komponentu. Umožňuje to technikovi prístup k spodnej časti varnej dosky, aby pomocou skrutkovača uvoľnil štyri spony, zdvihol varnú dosku a vybral ju, čím sa zabráni poškodeniu pracovnej dosky.

ZAPOJENIE DO ELEKTRICKEJ SIETE

Elektrické pripojenie sa musí vyhotoviť už pred pripojením spotrebiča k zdroju napájania.

Napájací kábel nie je súčasťou balenia - nezabudnite si pripraviť vlastný napájací kábel.




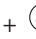
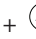
Inštaláciu musí vykonať kvalifikovaný personál, ktorý pozná aktuálne bezpečnostné a inštalčné predpisy. Inštaláciu treba vykonať v súlade s predpismi miestneho dodávateľa elektriny.

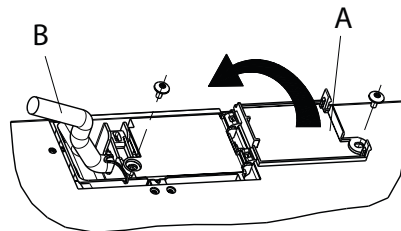
Uistite sa, že je napätie špecifikované na údajovom štítku na spodnej strane zariadenia rovnaké ako napätie vo vašom dome.

Podľa platných predpisov je uzemnenie spotrebiča povinné. Použite iba vodiče príslušnej veľkosti (vrátane uzemňovacieho vodiča).

PRIPOJENIE K SVORKOVNICI


Pri elektrickom zapojení použite kábel typu H05RR-F alebo H05V2V2-F alebo H05V2V2-F, podľa údajov v tabuľke nižšie.

NAPÁJACIE NAPÄTIE	VODIČE POČET x VEĽKOSŤ
220-240V ~ + 	3 x 4 mm ²
230-240V ~ + 	3 x 4 mm ² (iba Austrália)
220-240V 3~ + 	4 x 1,5 mm ²
380-415V 3N~ + 	5 x 1,5 mm ²
380-425V 2N~ + 	4 x 1,5 mm ²



Spotrebič musí byť pripojený k zdroju napájania prostredníctvom viacpólového spínača s minimálnou vzdialenosťou medzi kontaktmi 3 mm.

UPOZORNENIE: napájací kábel musí byť dosť dlhý, aby sa dala varná doska vybrať z pracovnej dosky, a treba ho uložiť tak, aby nedošlo k poškodeniu alebo prehriatiu spôsobenému dotykom so základňou.

POZNÁMKA: žlto-zelený vodič uzemnenia sa musí pripojiť k svorke so symbolom  a musí byť dlhší než ostatné vodiče.

- Stiahnite pribl. 70 mm izolácie z napájacieho kábla (**B**).
- Odizolujte pribl. 10 mm izolácie z vodičov. Potom vsuňte elektrický prívodný kábel do káblovej úchytky a zapojte vodiče ku svorkovnici, ako je uvedené v schéme zapojenia zobrazenej vedľa samotnej svorkovnice.
- Napájací kábel (**B**) zaistíte pomocou svorky na káble.
- Zatvorte svorkovnicu krytom (**A**) a zaistíte priloženými skrutkami.
- Po dokončení elektrického zapojenia namontujte varnú dosku zhora a zavesíte ju na upevňovacie pružiny.



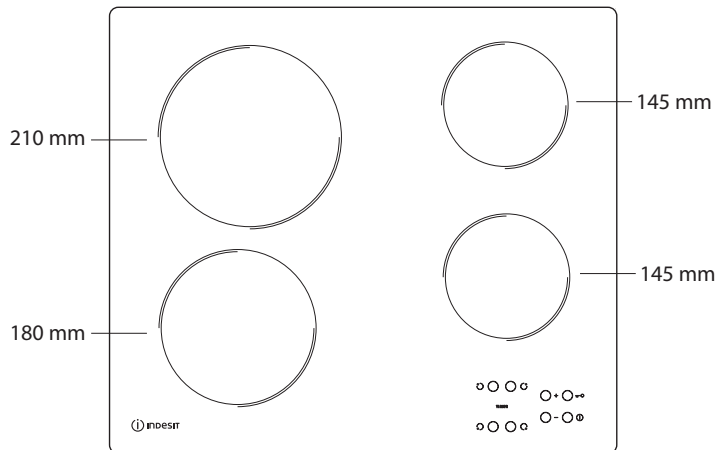
ĎAKUJEME, ŽE STE SI KÚPILI VÝROBOK WHIRLPOOL
Aby sme vám mohli lepšie poskytovať pomoc,
zaregistrujte svoj spotrebič na www.indesit.com/register.

**VIAC INFORMÁCIÍ ZÍSKATE,
AK OSKENUJETE QR KÓD NA
VAŠOM SPOTREBIČI**

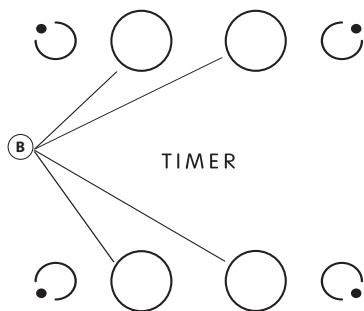


**Prv než spotrebič začnete používať, pozorne si
prečítajte Bezpečnostné pokyny.**

OPIS SPOTREBIČA



OVLÁDACÍ PANEL



- A** Zapnutie/vypnutie
- B** Oblasť varenia a výber časovača
- C-E** Zvyšovanie a znižovanie úrovne ohrevu
- D** Zámok tlačidiel

PRVÉ POUŽITIE

Pred prvým spustením vykonáva ovládací panel test funkcionality (asi 1 sekundu), po ktorom sa automaticky prepne na funkciu "Zámok tlačidiel". Podržaním tlačidla "D" funkciu vypnete – začujete zvukový signál a príslušná

kontrolka led zhasne.

POZNÁMKA: V prípade resetu spomínaný postup zopakujte.

KAŽDODENNÉ POUŽÍVANIE



ZAPNUTIE/VYPNUTIE VARNEJ DOSKY

Varnú dosku zapnete podržaním tlačidla "A" na približne 2 sekundy. Na displejoch 4 varných zón sa zobrazí "0". V rámci bezpečnostných opatrení sa varná doska automaticky vypne v prípade, ak do 20 sekúnd neaktivujete žiadnu z varných zón.

ZAPÍNANIE A REGULÁCIA VARNÝCH ZÓN

Stlačte jedno z tlačidiel "B" varnej zóny, ktorú chcete použiť. Pomocou tlačidiel "E" alebo "C" zvolte požadovanú úroveň ohrevu. Ostatné voliteľné nastavenia varenia sú v rozmedzí od 1 do 9. Všetky nastavenia zrušíte súčasným stlačením tlačidiel "+/-".

DÔLEŽITÉ UPOZORNENIE: Ovládanie sa po 10 sekundách po nastavení úrovne ohrevu deaktivuje.

Na zmenu úrovne ohrevu najprv znova stlačte tlačidlo "B", potom pomocou tlačidiel "E" alebo "C" zmeňte nastavenie.

TIMER (ČASOVAČ)

Na nastavenie funkcie časovača vyberte zónu varenia a úroveň ohrevu. Potom znova stlačte tlačidlo zóny varenia. Na displeji varnej zóny s nastaveným časovačom sa zobrazí svetielkujúci bod. Na 2 displejoch bliká znak "00". Stlačením tlačidiel "C" alebo "E" nastavíte časovač v rozmedzí od 1 do 99.

DÔLEŽITÉ UPOZORNENIE: Po 10 sekundách sa na displeji časovača zobrazí nastavenie úrovne ohrevu ostatných varných zón.

Zostávajúci čas varenia zobrazíte dvojnásobným stlačením tlačidla zóny s nastaveným časovačom.

FUNKCIA A

Táto funkcia umožňuje automaticky znížiť úroveň výkonu varnej zóny z najvyššej hodnoty (úroveň 9) na hodnotu zvolenú používateľom pre neskoršiu fázu varenia.

Ak chcete aktivovať túto funkciu, keď dosiahnete úroveň 9, stlačte najskôr "+". Na displeji sa zobrazí "A" a striedavo bliká "9" s nízkym jasom.

V tomto bode zvolte požadovanú úroveň výkonu (menej ako 9) pomocou

tlačidla “_”.

Na displeji bude striedavo blikať “A” a zvolená úroveň s nízkym jasom.

Funkcia sa aktivuje, len čo “A” a zvolená úroveň striedavo bliká na displeji vysokým jasom.

Keď už na displeji nie je vidieť “A” (funkcia “A” sa po niekoľkých minútach automaticky vypne v závislosti od nastavenej úrovne), proces varenia pokračuje s nižším výkonom a na displeji sa zobrazuje len zvolená úroveň výkonu.

POZNÁMKA: táto funkcia nie je možná pri úrovni 9.

ZÁMOK TLAČIDIEL

Funkciu “Zámok tlačidiel” zapnete podržaním tlačidla “D” do chvíle, kým sa nad tlačidlom funkcie nerozsvieti bod. Ovládací panel je zablokovaný s výnimkou funkcie vypnutia. Funkcia zostane aktívna aj po vypnutí a opätovnom zapnutí varnej dosky. Funkciu môžete vypnúť stláčaním tlačidla “D” do chvíle, kým rozsvietený bod nad tlačidlom funkcie nezhasne.

Keď je varná doska vypnutá s aktivovaným zámkom tlačidiel, na zapnutie varnej dosky najskôr deaktivujete funkciu uzamknutia tlačidiel opätovným stláčaním tlačidla “D”, kým rozsvietený bod nad tlačidlom funkcie nezhasne.

Prítomnosť vody, vyvretá kvapalina z hrncov alebo akákoľvek látka, ktorá sa dostane na tlačidlo pod symbolom, môže aktivovať alebo deaktivovať zámok tlačidiel.

KONTROLKA ZVÝŠKOVÉHO TEPLA

Po vypnutí varnej zóny ostane rozsvietená kontrolka zvyškového tepla “H”, príp. sa striedavo rozsvieti spolu s “0”, až kým teplota varnej dosky neklesne pod bezpečnú úroveň.

DÔLEŽITÉ UPOZORNENIE: Bezpečnostné prvky varnej dosky zahŕňajú funkciu automatického vypnutia. V prípade dlhého použitia rovnakého nastavenia úrovne ohrevu sa zapne automatické vypnutie varnej zóny (napr. varná zóna sa vypne po hodine varenia pri maximálnej úrovni ohrevu).

DÔLEŽITÉ: Aby nedošlo k trvalému poškodeniu varnej dosky:

- nepoužívajte nádoby, ktorých dno nie je úplne ploché;
- nepoužívajte kovové nádoby s e-mailovým dnom;
- nekladte horúce hrnce/panvice na ovládací panel.

Varná doska je vybavená aj funkciou “auto shut off”, ktorá vypne varnú zónu, ak po určitom čase v závislosti od samotného nastavenia výkonu nevykonáte žiadnu zmenu úrovne výkonu. V tabuľke je čas trvania každej úrovne výkonu.

ÚROVEŇ VÝKONU	ČAS AUTOMATICKÉHO VYPNUTIA
0	30 sekúnd
1	10 hodín
2	5 hodín
3	5 hodín
4	4 hodiny
5	3 hodiny
6	2 hodiny
7	2 hodiny
8	2 hodiny
9	1 hodina

TABUĽKA NA VARENIE

ÚROVEŇ VÝKONU		DRUH VARENIA	POUŽÍVANIE ÚROVNE (uvádza skúsenosti a zvyky pri varení)
Maximálny výkon	9	Varenie	Ideálny na rýchle zvýšenie teploty jedla, na rýchle zovretie vody alebo rýchle zohriatie varených tekutín.
	9 – 8	Prudké opečenie	Ideálny na opečenie do hneda, začiatok varenia, vysmážanie mrazených potravín, rýchle dosiahnutie bodu varu.
Vysoký výkon	8 – 7	Zhnednutie – udržiavanie varu – grilovanie	Ideálny na zhnednutie, udržiavanie silného varu, varenie a grilovanie (krátke trvanie, 5-10 minút).
	7 – 6	Vysmážanie – varenie – grilovanie	Ideálny na udržiavanie slabého varu, varenie a grilovanie (stredné trvanie, 10-20 minút), predhrievanie a vysmážanie.
Stredný výkon	6 – 5	Jemné vysmážanie	Ideálny na volské oká, omelety.
	5 – 4	Varenie – mierne varenie – dusenie	Ideálny na dlhšie varenie (ryža, omáčky, pečené mäso, ryby) s tekutinami (napr. vodou, vínom, vývarom, mliekom), cestoviny so smotanou.
	4 – 3	Zahusťovanie – cestoviny so smotanou	
Nízky výkon	2 – 1	Udržiavanie teplého jedla – krémové rizoto	Ideálny na udržiavanie práve uvareného jedla teplého (napr. omáčok, polievok, minestrone), krémové rizoto a udržiavanie teploty podávaných jedál.
Minimálny výkon	1	Rozmrazovanie	Ideálny na rozmrazovanie malých produktov a jemné roztápanie čokolády alebo masla.
Nulový výkon	0	–	Varná doska v pohotovostnom režime alebo vypnutá (prípadné zvyškové teplo po skončení varenia, vyznačené “H”).

ČISTENIE A ÚDRŽBA

Odpojte rúru od elektrického napájania.

- Nepoužívajte čistiace zariadenia využívajúce paru.
- Nepoužívajte abrazívne čistiace špongie ani drôtenky, lebo by mohli poškodiť sklo.
- Po každom použití vyčistite varný panel (keď je vychladnutý), aby ste odstránili všetky usadeniny a škvrny spôsobené zvyškami jedla.
- Cukor alebo potraviny s vysokým obsahom cukru môžu varný panel poškodiť, a preto ich treba ihneď odstrániť.

- Soľ, cukor a piesok by mohli poškrabať sklenený povrch.
- Používajte mäkkú utierku, absorpčné papierové kuchynské utierky alebo špeciálne výrobky určené na čistenie varného panela (dodržiavajte pokyny výrobcu).
- Vyliate tekutiny môžu na varných zónach spôsobiť pohyby alebo vibrovanie hrncov.
- Po čistení povrch varného panela dôkladne osušte.

RIEŠENIE PROBLÉMOV

Ak by varný panel nefungoval správne, predtým, ako zavoláte servis, skúste problém vyriešiť pomocou príručky na odstraňovanie problémov.

- Prečítajte si a dodržujte pokyny uvedené v časti "Každodenné používanie".
- Skontrolujte, či nedošlo k prerušeniu dodávky elektriny.
- Po čistení povrch varnej dosky dôkladne osušte.
- Ak bola zvolená varná zóna a na displeji sa zobrazí "F" alebo "ER", za ktorým nasleduje číslo, kontaktujte popredajný servis a informujte ich.
- Ak je kód chyby "F03", "ER03" alebo "E02", skúste to vyriešiť podľa týchto pokynov:
 - Ak sa zobrazí chyba "E02" uistite sa, že ste nestláčali tlačidlá dlhšie ako 5 sekúnd, na ploche HMI nie je žiadna látka a že je čistá a suchá – pri čistení postupujte podľa odseku Čistenie a údržba.
 - Ak sa objaví chyba "F03", skúste varnú dosku vypnúť a znova zapnúť.
 - Ak sa zobrazí chyba "F04", kontaktujte popredajný servis a oznámte im, ktorý kód sa zobrazuje.
- Ak varná doska nepracuje po intenzívnom použití, vnútorná teplota varnej dosky je príliš vysoká. Počkajte niekoľko minút, kým varná doska nevychladne.

- Ak tepelný zdroj nie je nepretržite zapnutý, ale cyklicky sa zapína a vypína, aj keď sa úroveň výkonu na displeji nemení, je to súčasť normálneho fungovania varnej dosky. Cyklus zapnutia/vypnutia umožňuje reguláciu výkonu ohrievača a je úplne normálny. V niektorých prípadoch môže tepelná ochrana na určitý čas vypnúť ohrievač, aby nedošlo k poškodeniu skla. Príklady takýchto prípadov sú: Dlhé varenie pri vysokej úrovni výkonu s použitím hrncov menších ako vyhrievacie teleso a hrncov, ktoré nemajú ploché dno.
- Ak varná doska vydáva krátky zvuk bez toho, aby zákazník stlačil akékoľvek tlačidlo, dajte na poriadok každé rozliatie tekutiny na HMI. Vysušte HMI a pokračujte v používaní varnej dosky. Ak bola varná doska vypnutá automaticky, môže to byť spôsobené prítomnosťou tekutiny na HMI. Vysušte HMI a varnú dosku znova zapnite.

Ak po horeuvedených kontrolách porucha pretrváva, zavolajte najbližšie servisné stredisko.

POPREDAJNÝ SERVIS

Aby sme vám mohli lepšie poskytovať pomoc, zaregistrujte, prosím, svoj spotrebič na www.indesit.com/register.

PREDTÝM, NEŽ ZAVOLÁTE POPREDAJNÝ SERVIS:

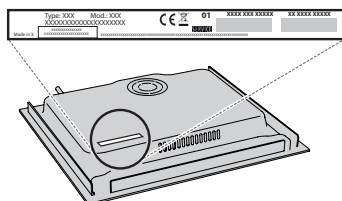
1. Zistite, či nedokážete problém vyriešiť sami s pomocou návrhov riešení uvedených v časti **RIEŠENIE PROBLÉMOV**.
2. Spotrebič vypnite a opäť zapnite, aby ste skontrolovali, či chyba pretrváva.

AK PO KONTROLÁCH UVEDENÝCH VYŠŠIE PORUCHA NAĎALEJ PRETRVÁVA, SPOJTE SA S NAJBLIŽŠÍM AUTORIZOVANÝM SERVISNÝM STREDISKOM.

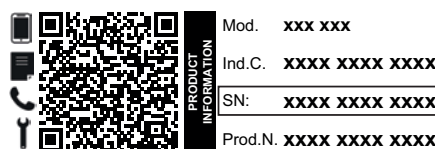
Ak potrebujete pomoc, volajte na číslo uvedené v záručnej knižke alebo postupujte podľa pokynov na webovej stránke www.indesit.com.

Pri kontaktovaní nášho zákazníckeho popredajného servisu vždy uveďte:

- stručný opis poruchy;
- presný typ a model spotrebiča;



- výrobné číslo (číslo uvedené po slove SN na výkonnostnom štítku pod spotrebičom). Výrobné číslo je uvedené aj v dokumentácii;



- vašu úplnú adresu;
- vaše telefónne číslo.

Ak je nevyhnutné spotrebič opraviť, obráťte sa na autorizované servisné stredisko (zaručí sa tým použitie originálnych náhradných dielov a správny postup pri oprave).

Zásady, štandardnú dokumentáciu a ďalšie informácie o výrobku nájdete:

- Použitie QR kódu vo vašom spotrebiči;
- Na našej webovej stránke docs.indesit.eu;
- Prípadne **sa obráťte na náš popredajný servis** (telefónne číslo nájdete v záručnej knižke). Pri kontaktovaní nášho popredajného servisu uveďte, prosím, kódy z výrobného štítku vášho spotrebiča.



Prenesite celotna navodila za uporabo na <http://docs.indesit.eu> ali pokličite telefonsko številko, navedeno v garancijski knjižici.

Pred uporabo aparata preberite ta varnostna navodila. Navodila hranite na dosegu roke za prihodnjo uporabo. V navodilih za uporabo in na aparatu so pomembna varnostna navodila, ki jih mora uporabnik prebrati in vedno upoštevati. Proizvajalec ne prevzema odgovornosti v primeru neupoštevanja varnostnih navodil, nepravilne uporabe aparata ali napačne nastavitve upravljalnih elementov.

⚠ **OPOZORILO:** Če na površini kuhalne plošče opazite razpoko, aparata ne uporabljajte, saj obstaja nevarnost električnega udara.

⚠ **OPOZORILO:** Nevarnost požara: ne hranite predmetov na kuhalni površini.

⚠ **POZOR:** Postopek kuhanja je treba nadzorovati. Postopek kratkotrajnega kuhanja je treba nenehno nadzorovati.

⚠ **OPOZORILO:** Nenadzorovano kuhanje na kuhalni plošči z mastjo ali oljem je lahko nevarno, saj obstaja možnost požara. NIKOLI ne skušajte pogasiti ognja z vodo: aparat izključite in nato pokrijte plamen npr. s pokrovom ali požarno odejo.

⚠ Kuhalne plošče ne uporabljajte kot delovni pult ali podlago. Pazite, da aparat ne pride v stik s krpami ali drugimi vnetljivimi predmeti, dokler se vse komponente povsem ne ohladijo, saj lahko pride do požara.

⚠ Zelo majhni otroci (0–3 let) naj se ne približujejo aparatu. Majhni otroci (3–8 let) ne smejo biti v bližini aparata brez stalnega nadzora. Otroci, stari 8 let ali več, in osebe z omejenimi telesnimi, čutnimi ali razumskimi sposobnostmi oz. osebe, ki nimajo izkušenj in znanja, lahko aparat uporabljajo le, če so pod nadzorom oz. če so bili poučeni o varni uporabi aparata in se zavedajo morebitnih nevarnosti. Otroci se z aparatom ne smejo igrati. Otroci brez nadzora ne smejo čistiti ali vzdrževati aparata.

⚠ **OPOZORILO:** Aparat in dostopni deli se med uporabo segrejejo. Pazite, da se ne dotaknete grelnikov. Otroci, mlajši od 8 let, se ne smejo zadrževati v bližini aparata, če niso pod stalnim nadzorom.

DOVOLJENA UPORABA

⚠ **POZOR:** aparat ni namenjen temu, da bi ga upravljali z zunanji upravljalnimi napravami, kot sta časovnik ali ločen daljinski upravljalnik.

⚠ Aparat je namenjen uporabi v gospodinjstvu in temu podobnim načinom uporabe, na primer: v kuhinjah za osebje v trgovinah, pisarnah in drugih delovnih okoljih, na kmetijah, za goste v hotelih, motelih in prebivalce drugih stanovanjskih okolij.

⚠ Druga uporaba ni dovoljena (npr. za segrevanje prostorov).

⚠ Aparat ni namenjen profesionalni uporabi. Aparata ne uporabljajte na prostem.

NAMESTITEV

⚠ Za premikanje in namestitev aparata sta potrebni najmanj dve osebi, saj obstaja nevarnost poškodb. Za odstranjevanje embalaže in namestitev aparata uporabite zaščitne rokavice, saj obstaja nevarnost ureznin.

⚠ Namestitev, vključno s priklopom vode (če je prisotna) in elektrike, mora izvesti usposobljen tehnik. Ne popravljajte ali zamenjajte delov aparata, razen če to ni izrecno navedeno v navodilih za uporabo. Otroci se mestu namestitve ne smejo približevati. Ko aparat odstranite iz embalaže, se prepričajte, da se med prevozom ni poškodoval. V primeru težav se obrnite na prodajalca ali na najbližjo servisno službo. Ko je aparat nameščen, embalažo (plastika, deli iz stiropora itd.) shranite izven dosega otrok, saj obstaja nevarnost zadušitve. Preden aparat namestite, ga zaradi nevarnosti električnega udara odklopite z električnega omrežja. Med namestitvijo pazite, da aparat ne poškoduje napajalnega kabla, saj to lahko privede do požara ali povzroči električni udar. Aparat vključite šele, ko je namestitev končana.

⚠ Vse potrebne izreze v element izvedite pred vgradnjo aparata in odstranite vse lesene trske in žagovino.

⚠ Če aparat ni vgrajen nad pečico, je treba v predelek pod aparatom vgraditi ločevalno ploščo (ni priložena).

OPOZORILO GLEDE ELEKTRIČNEGA TOKA

⚠ Prekinitev napajanja aparata mora biti mogoča z izklopom vtiča, če je ta na dosegu roke, ali z dosegljivim večpolnim stikalom, ki je v skladu s predpisi za ožičenje nameščen v bližini vtičnice. Aparat mora biti prav tako ozemljen v skladu z nacionalnimi standardi glede električne varnosti.

⚠ Prepovedana je uporaba podaljškov, razdelilnih vtičnic in adapterjev. Električne komponente po namestitvi aparata uporabnikom ne smejo biti dostopne. Aparata ne uporabljajte, ko ste mokri ali bos. Aparata ne uporabljajte, če ima poškodovan napajalni kabel ali vtič, če ne deluje pravilno oziroma če je bil poškodovan ali je padel.

⚠ Namestitev z vtičem napajalnega kabla ni dovoljena, razen če je izdelek že opremljen z vtičem proizvajalca.


⚠ Da se izognemo nevarnosti, lahko poškodovan napajalni kabel z enakim kablom nadomesti le proizvajalec, njegov serviser ali podobno usposobljena oseba, saj obstaja možnost električnega udara.

ČIŠČENJE IN VZDRŽEVANJE

⚠ **OPOZORILO:** Aparat morate pred vzdrževalnimi deli izklopiti in izključiti z električnega napajanja; ne uporabljajte parnih čistilcev, saj obstaja nevarnost električnega udara.

⚠ Ne uporabljajte abrazivnih ali korozivnih izdelkov, čistil na osnovi klora ali žičnatih gob.

ODSTRANJEVANJE EMBALAŽNEGA MATERIALA


Embalažo je mogoče povsem reciklirati in je označena s simbolom za recikliranje .

Dele embalaže zato zavrzite odgovorno in v skladu s predpisi pristojnih služb, ki urejajo odlaganje odpadkov.

ODSTRANJEVANJE GOSPODINJSKIH APARATOV

Aparat je izdelan iz materialov, ki jih je mogoče reciklirati ali ponovno uporabiti. Aparat zavrzite v skladu z veljavnimi lokalnimi predpisi. Dodatne informacije o odstranjevanju in recikliranju električnih gospodinjskih aparatov lahko dobite na pristojnem občinskem uradu, pri komunalni službi ali v trgovini, kjer ste aparat kupili. Aparat je označen v skladu z evropsko Direktivo 2012/19/EU o odpadni električni in elektronski opremi (OEEO) in uredbami o odpadni električni in elektronski opremi (WEEE) iz leta 2013 (v veljavni različici).

Aparat odložite na predvidenih zbirnih mestih, saj lahko s tem preprečite škodljive posledice za okolje in zdravje ljudi.

Simbol  na aparatu ali priloženi dokumentaciji pomeni, da je aparat prepovedano odlagati med komunalne odpadke. Oddati ga je treba na zbirnem centru za recikliranje električne in elektronske opreme.

NASVETI ZA VARČEVANJE Z ENERGIJO

Čim bolj izkoristite preostanek toplote na kuhališču, tako da aparat izključite nekaj minut, preden je jed kuhana.

Dno posode naj povsem prekriva kuhališče: če je dno posode manjše od površine kuhališča, bo prišlo do izgube energije.

Posodo med kuhanjem prekrijte s tesno prilegajočimi se pokrovi in porabite kar najmanj vode. Če posode med kuhanjem ne prekrijete s pokrovi, bo poraba energije občutno večja.

Uporabljajte samo posodo z ravnim dnom.

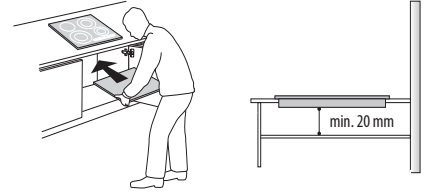
IZJAVA O SKLADNOSTI

Ta naprava je skladna z zahtevami za okoljsko primerno zasnovano uredbo Komisije (EU) št. 66/2014 in uredbami iz leta 2019 za okoljsko primerno zasnovane izdelke, povezanih z energijo, in energetske informacije (sprememba) (izstop iz EU) v skladu z evropskim standardom EN 60350-2.



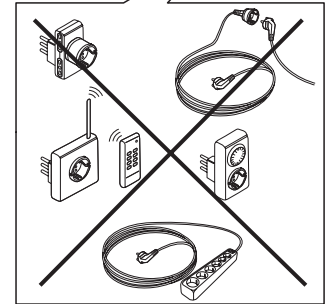
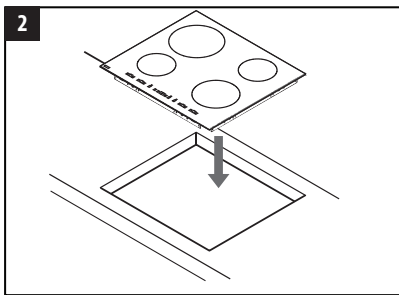
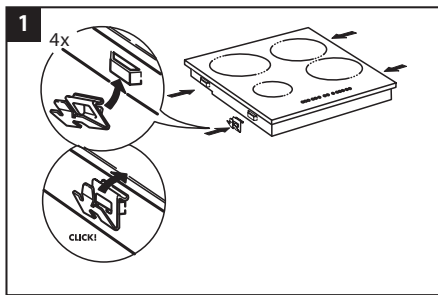
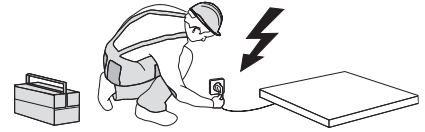
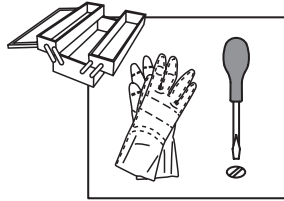
NAMESTITEV

- **Kuhalna površina mora biti vgrajena v kuhinjski pult vsaj 20 mm globoko.**
- **Med kuhhalno ploščo in pečico ne sme biti nobenih predmetov (prečnih drogov, nosilcev itd.).**
- **Prepričajte se, da je priključni kabel dovolj dolg, da je namestitev mogoče izvesti brez težav.**
- **Med spodnjo stranjo steklokeramične kuhhalne plošče in omarico ali ločilno ploščo mora biti vsaj 20 mm razdalje.**
- Za vgradne dimenzije in namestitev glejte sliko v tem odstavku.
- Pri vgradnji upoštevajte najmanjšo razdaljo med kuhhalno ploščo in napo nad njo. Za več informacij glejte uporabniški priročnik nape.
- Na kuhhalno ploščo namestite priloženo tesnilo (razen če je že nameščeno), potem ko ste očistili površino plošče.
- **Kuhhalne plošče ne nameščajte ob pomivalni ali pralni stroj, da elektronska vezja ne pridejo v stik s paro ali vlago, ki bi jih lahko poškodovala.**
- Če pod kuhhalno ploščo namestite pečico, se prepričajte, da je opremljena s hladilnim sistemom. Če temperatura elektronskih vezij preseže največjo dovoljeno temperaturo, se kuhhalna plošča samodejno izklopi; V tem primeru počakajte nekaj minut, dokler notranja temperatura elektronskega tiskanega vezja ne doseže dopustnega nivoja, na katerem bo mogoče ponovno vklopiti kuhhalno ploščo.

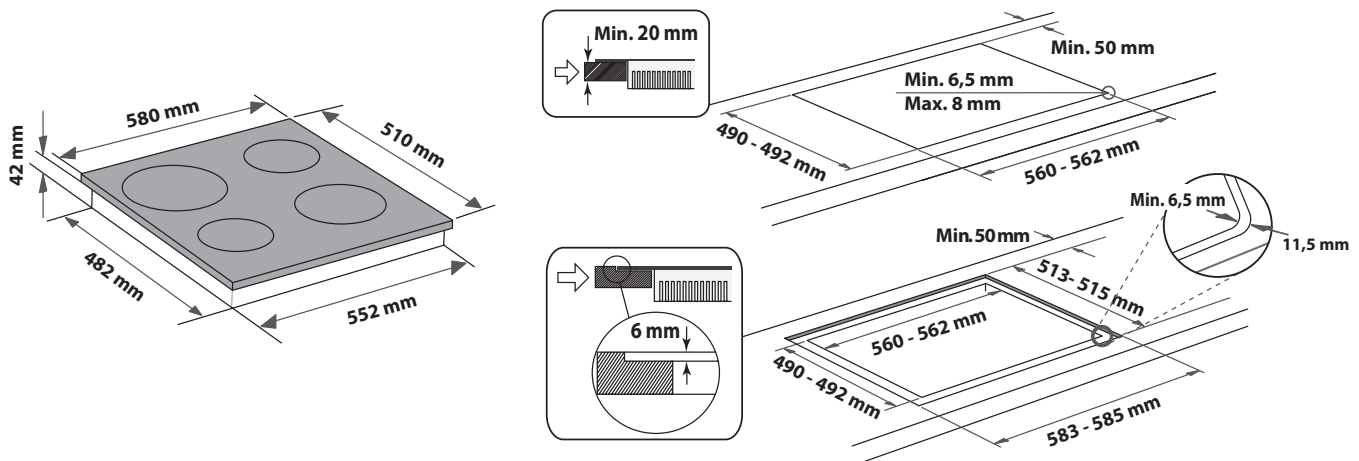
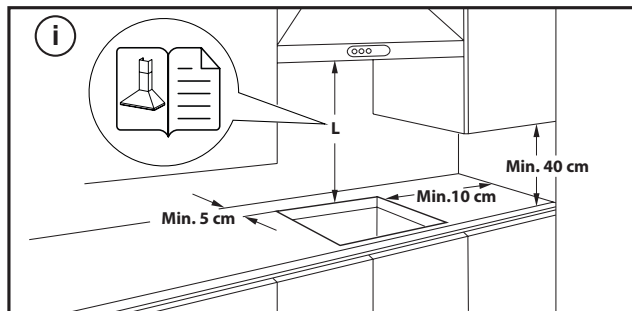


NAMESTITEV KUHALNE PLOŠČE

Po električnem priklopu (glejte poglavje "Priključitev na električno omrežje") namestite pritrdilne sponke na ustrezne reže ob straneh kuhhalne plošče, kot je prikazano na sliki. Kuhhalno ploščo nato potisnite v izrezano odprtino in se prepričajte, da je steklokeramična površina poravnana in vzporedna s pultom. Pritrdilne sponke so primerne za pulte iz vseh vrst materialov (les, marmor itd.).



DIMENZIJE IN NAJMANJŠE RAZDALJE



ODSTRANITEV KUHALNE PLOŠČE:

preden odstranite kuhalno ploščo, jo odklopite z električnega napajanja. Zelo priporočamo, da po potrebi odstranite pečico, predal, pregrado ipd. pod kuhalno ploščo. Tako bo imel servisni tehnik prost dostop do spodnje strani kuhalne plošče in bo lahko z izvijačem sprostil vse štiri sponke, dvignil kuhalno ploščo in jo odstranil, ne da bi poškodoval kuhinjski pult.

PRIKLJUČITEV NA ELEKTRIČNO OMREŽJE

Električni priklop mora biti izveden pred priklopom naprave na napajalno omrežje.

Priključni kabel ni vključen v obseg dobave – ne pozabite priskrbeti svojega priključnega kabla.




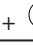
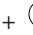
Namestitev mora izvesti kvalificirano osebje, ki pozna trenutne predpise glede varnosti in namestitve. Električna inštalacija mora biti izvedena v skladu s predpisi, ki jih narekuje krajevni dobavitelj električne energije.

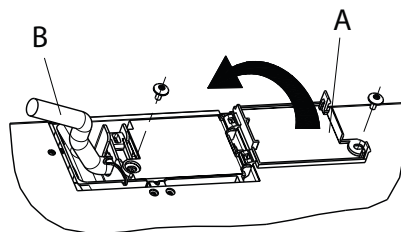
Pazite, da je napetost, podana na tipski ploščici na dnu naprave, ista kot v vašem domu.

S predpisi je določena obvezna ozemljitev naprave: uporabljajte le vodnike (vključno z ozemljitvenim vodnikom) primerne velikosti.

PRIKLOP NA VRSTNO SPONKO


Za električni priklop uporabite kabel H05RR-F, kot je navedeno v spodnji preglednici.

ELEKTRIČNA NAPETOST	VODNIKI KOLIČINA x VELIKOST
220-240V ~+ 	3 x 4 mm ²
230-240V ~+ 	3 x 4 mm ² (csak Ausztrália)
220-240V 3~+ 	4 x 1,5 mm ²
380-415V 3N~+ 	5 x 1,5 mm ²
380-425V 2N~+ 	4 x 1,5 mm ²



Napravo je treba priključiti na električno omrežje prek večpolnega ločilnega stikala z najmanj 3-milimetrskim razmikom med kontakti.

POMEMBNO: Napajalni kabel mora biti dovolj dolg, da je kuhalno ploščo mogoče sneti iz kuhinjskega pulta, in mora biti nameščen tako, da se izognete okvaram ali pregrevanju, ki jih lahko povzroči stik s podlago.

OPOMBA: rumeno-zelen ozemljitveni vodnik mora biti povezan na sponko s simbolom  in mora biti daljši od drugih vodnikov.

- Z napajalnega kabla odstranite približno 70 mm plašča (**B**).
- Z vodnikov odstranite približno 10 mm plašča. Nato vstavite napajalni kabel v kabelsko sponko in priključite vodnike na vrstno sponko, kot je prikazano na diagramu povezav, ki je tik ob vrstni sponki.
- Napajalni kabel (**B**) pritrdite s kabelsko sponko.
- Priključno ploščo zaprite s pokrovom (**A**) in pokrov pritrdite s priloženim vijakom.
- Po električnem priklopu vstavite kuhalno ploščo v pult, kot je prikazano na sliki, da se pritrdilne sponke zaskočijo.



HVALA, KER STE SE ODLOČILI ZA IZDELEK WHIRLPOOL
Če želite celovitejšo pomoč, izdelek registrirajte na spletni strani www.indesit.com/register.

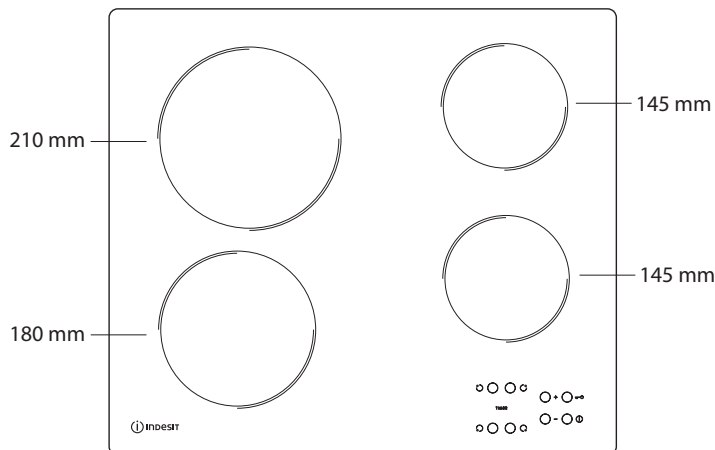


Pred uporabo aparata pozorno preberite varnostna navodila.

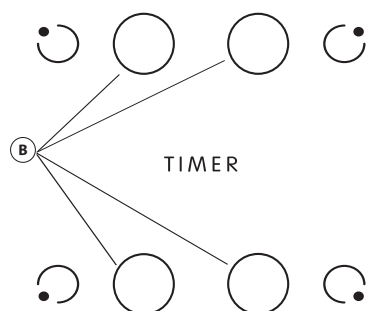
**ZA PODROBNEJŠE INFORMACIJE
POSKENIRAJTE KODO QR NA
NAPRAVI**



OPIS IZDELKA



UPRAVLJALNA PLOŠČA



- A** Vkllop/izklop
- B** Izbira kuhalnega polja in nastavitve časovnika
- C-E** Povečevanje in zmanjševanje nastavitve toplote
- D** Zaklep gumbov

PRVA UPORABA

Po prvi namestitvi nadzorna plošča izvede preskus delovanja za približno 1 sekundo, potem pa samodejno preklopi na funkcijo "Key lock" (Zaklep gumbov).

Funkcijo lahko izklopite tako, da pritisnete in zadržite tipko "D"; zasliši se zvočni signal, ustrezna LED-lučka pa ugasne.

OPOMBA: Če pride do ponastavitve, ponovite zgoraj opisan postopek.

VSAKODNEVNA UPORABA



VKLOP/IZKLOP KUHALNIKA

Kuhalno ploščo vklopite s pritiskom na gumb "A", ki ga držite približno 2 sekundi. Na prikazovalnikih vseh štirih kuhalnih polj se prikaže "0". Če v 20 sekundah ni aktivirano nobeno kuhalno polje, se kuhalna plošča iz varnostnih razlogov samodejno izklopi.

VKLAPLANJE IN PRILAGAJANJE KUHALNIH OBMOČIJ

Pritisnite enega od gumbov "B", in sicer tistega, ki ustreza kuhalnemu polju, ki ga želite uporabiti. Z gumboma "E" ali "C" izberite želene nastavitve temperature. Ostale nastavitve kuhanja lahko izbirate od 1 do 9. S sočasnim pritiskom na gumba "+/-" prekličete vse nastavitve.

POMEMBNO: Komandni gumb se deaktivira 10 sekund po izbiri zelene temperature.

Če želite spremeniti nastavitve temperature najprej pritisnite gumb za izbiranje "B", nato pa nadaljujte s spreminjanjem nastavitve z uporabo gumba "E" ali "C".

TIMER

Če želite vključiti funkcijo časovnika, izberite zeleno kuhalno polje in nastavitve moči, nato znova pritisnite tipko kuhalnega polja in na prikazovalniku kuhalnega polja s časovnikom se bo pojavila svetlobna pika. Na 2 prikazovalnikih utripa prikaz "00". Pritisnite gumb "C" ali "E" in nastavite čas od 1 do 99.

POMEMBNO: po 10 sekundah se na prikazovalnikih časovnikov pokaže nastavitve moči drugih kuhalnih polj.

Če želite pogledati preostali čas kuhanja, dvakrat pritisnite tipko kuhalnega polja z nastavljenim časovnikom.

FUNKCIJA A

S to funkcijo lahko uporabnik samodejno zniža stopnjo moči za kuhalno polje z najvišje (stopnja 9) na stopnjo, ki jo je izbral za naslednjo fazo kuhanja.

Za vklop funkcije pritisnite gumb "+", ko je dosežena stopnja 9.

Na zaslonu se prikaže znak "A", znak "9" pa medlo utripa.

Na tej točki z gumbom "-" izberite zeleno stopnjo moči (nižjo od stopnje 9).

Znak "A" in izbrana stopnja izmenično medlo utripata na zaslonu.

Funkcija je vklopljena, ko znak "A" in izbrana stopnja izmenično svetlo utripata na zaslonu.

Ko znak "A" izgine zaslona (funkcija "A" se samodejno izklopi po nekaj minutah, odvisno od izbrane stopnje moči), se kuhanje nadaljuje z nižjo močjo, na zaslonu pa je prikazana le izbrana stopnja moči.

OPOMBA: ta funkcija ni na voljo za stopnjo 9.

KEY LOCK (ZAKLEP GUMBOV)

Funkcija Key lock (Zaklep gumb) se vklopi z daljšim pritiskom na gumb "D", dokler nad funkcijsko tipko ne zasveti pika. Zaklenjene so vse funkcije upravljalne plošče razen funkcije izklopa. Funkcija ostane aktivirana tudi po izklopu in ponovnem vklopu kuhalne plošče, izključite pa jo lahko s ponovnim pritiskom na gumb "D", dokler pika nad funkcijo ne ugasne.

Ko je kuhalna plošča izklopljena z aktiviranim zaklepom gumb, morate najprej upravljalno ploščo odkleniti s pritiskom na gumb "D", dokler pika nad funkcijo ne ugasne, da lahko vklopite kuhalno ploščo.

Voda, tekočina iz posod ali predmeti na upravljalnih elementih lahko nenamerno aktivirajo ali deaktivirajo zaklep gumb.

INDIKATOR PREOSTALE TOPLOTE

Ko se kuhalno polje izklopi, indikator preostale toplote "H" še naprej sveti ali utripa izmenično z "0", dokler se temperatura kuhalne plošče ne zniža na sprejemljivo varno raven.

POMEMBNO: Med varnostnimi lastnostmi kuhalne plošče je tudi funkcija samodejnega izklopa. Daljša uporaba iste nastavitve toplote sproži samodejni izklop kuhalnega polja (na primer po približno 1 uri pri najvišji nastavitvi toplote, se kuhalno polje izklopi).

POMEMBNO: Da preprečite trajno okvaro kuhalne plošče:

- ne uporabljajte loncev, ki nimajo popolnoma ravnega dna;
- ne uporabljajte kovinskih loncev z emajliranim dnom;
- ne odlagajte toplih loncev/ponev na nadzorno ploščo.

Kuhalna plošča je opremljena tudi s funkcijo za samodejni izklop, s katero se kuhalno polje izklopi, če po preteku določenega intervala ne spremenite stopnje moči, odvisno od nastavitve moči. V preglednici so navedeni časovni intervali za posamezno stopnjo moči.

JAKOSTNA STOPNJA	ČAS SAMODEJNEGA IZKLOPA
0	30 sekund
1	10 ur
2	5 ur
3	5 ur
4	4 ure
5	3 ure
6	2 uri
7	2 uri
8	2 uri
9	1 ura

KUHALNA TABELA

RAVEN MOČI		VRSTA KUHANJA	STOPNJA UPORABE (glede na izkušnje in navade pri kuhanju)
Največja moč	9	Vrenje	Kot nalašč za hitro segrevanje hrane do vrenja, če uporabljate vodo ali tekočine za kuhanje, ki se hitro grejejo.
	9 – 8	Pečenje	Kot nalašč za porjavitvev, začetek kuhanja, cvrtje zamrznjenih izdelkov, hitro vretje.
Visoka moč	8 – 7	Porjavitev – vzdrževanje vrenja – peka na žaru	Kot nalašč za porjavitev, vzdrževanje vrenja, kuhanje in pečenje (kratkotrajno, 5–10 minut).
	7 – 6	Cvrtje – kuhanje – pečenje na žaru	Kot nalašč za vzdrževanje počasnega vrenja, kuhanje in pečenje (srednje dolgo, 10–20 minut), predgretje in cvrtje.
Srednja moč	6 – 5	Nežno cvrtje	Kot nalašč za cvrtje jajc in pripravo omet.
	5 – 4	Kuhanje – počasno vretje – dušenje	Kot nalašč za kuhanje, ki zahteva več časa (riž, omake, pečenke, ribe) s tekočinami (npr. voda, vino, juhe, mleko), kombiniranje testenin z omako.
	4 – 3	Zgoščevanje – kombiniranje testenin z omako	
Nizka moč	2 – 1	Ohranjanje hrane vroče – priprava rižot	Kot nalašč za ohranjanje ravnokar skuhane hrane (npr. omake, juhe, mineštre) vroče, za rižote in pogrevanje servirnega pribora.
Najmanjša moč	1	Odmrzovanje	Kot nalašč za odmrzovanje manjših kosov hrane in nežno topljenje čokolade ali masla.
Brez moči	0	–	Kuhalna plošča v stanju pripravljenosti ali izklopljenem načinu (morda bo prisotna preostala toplota, ki jo označuje "H").

ČIŠČENJE IN VZDRŽEVANJE

⚠ Aparat izklopite iz električnega napajanja.

- Ne uporabljajte parnih čistilnikov.
- Ne uporabljajte abrazivnih ali žičnatih gob, ker lahko poškodujejo steklo.
- Po vsaki uporabi očistite kuhalno ploščo (ko je ohlajena), da odstranite ostanke hrane in madeže.
- Sladkor ali hrana z visoko vsebnostjo sladkorja lahko poškodujeta kuhalno ploščo, zato ju morate takoj odstraniti.

- Sol, sladkor in pesek lahko spraskajo stekleno površino.
- Čistite z mehko krpo, papirnatimi brisačami ali čistilnikom za kuhalne plošče (glejte navodila proizvajalca).
- Razlite tekočine na kuhalnih poljih lahko povzročijo premikanje ali tresenje posod.
- Kuhalno ploščo po čiščenju temeljito posušite.

ODPRAVLJANJE TEŽAV

Če kuhalna plošča ne deluje pravilno, preverite navodila za odpravljanje napak, preden kličete servis.

- Preberite in upoštevajte navodila iz razdelka "Vsakodnevna uporaba".
- Preverite, da dovod elektrike ni bil izklopljen.
- Temeljito osušite kuhhalno ploščo, potem ko jo očistite.
- Če ste izbrali kuhhalno polje in se na zaslonu prikaže znak "F" ali "ER", ki mu sledi številka, o tem obvestite servisno službo.
- Če se prikaže koda napake "F03", "ER03" ali "E02", napako poskusite odpraviti po naslednjem postopku:
 - Če se prikaže koda napake "E02", poskrbite, da vsaj 5 sekund ne pritisnete nobenega gumba, na območju uporabniškega vmesnika ni predmetov, območje pa je čisto in suho – pri čiščenju upoštevajte razdelek o čiščenju in vzdrževanju.
 - Če se prikaže koda napake "F03", kuhhalno površino izklopite in znova vklopite.
 - Če se prikaže koda napake "F04", se obrnite na servisno službo in jim sporočite kodo, ki se prikaže.

- Če kuhalna plošča ne deluje po intenzivni uporabi, je notranja temperatura kuhhalne plošče še vedno previsoka. Počakajte nekaj minut, da se kuhhalna plošča ohladi.
- Če grelnik ne deluje neprekinjeno, temveč se vedno znova vklaplja in izklaplja, čeprav se stopnja moči na zaslonu ne spremeni, je to del normalnega delovanja kuhhalne plošče. Z vklapljanjem in izklapljanjem se uravnava moč grelnika; pojav je povsem normalen. V nekaterih primerih lahko toplotna zaščita za nekaj časa izklopi grelnik, da se preprečijo poškodbe na steklu. Takšni primeri so: daljše kuhanje z visoko močjo, uporaba posod, ki so manjše od grelnega elementa, uporaba posod z neravnim dnom.
- Če kuhalna plošča piska, čeprav uporabnik ni pritisnil nobenega gumba, odstranite morebitno razlito tekočino na uporabniškem vmesniku. Obrišite uporabniški vmesnik in nadaljujte z uporabo kuhhalne plošče. Če se je kuhhalna plošča samodejno izklopila, lahko do tega pride zaradi tekočine na uporabniškem vmesniku. Obrišite uporabniški vmesnik in znova vklopite kuhhalno ploščo.

Če tudi po zgoraj navedenih ukrepih ne odpravite napake, pokličite najbližjo servisno službo.

SERVISNA SLUŽBA

Izdelek registrirajte na spletni strani www.indesit.com/register, da vam bomo lahko nudili vsestranski servis in podpor.

PREDEN POKLIČETE SERVISNO SLUŽBO:

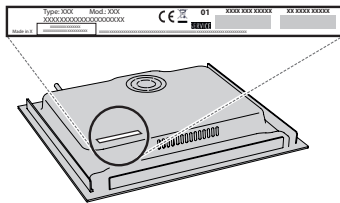
1. Preverite, ali lahko težavo odpravite sami glede na predloge v poglavju **NAVODILA ZA ODPRAVLJANJE TEŽAV**.
2. Z izklopom in ponovnim vklopom aparata preverite, ali je napaka še vedno prisotna.

ČE VAM TUDI PO ZGORAJ NAVEDENIH UKREPIH NE USPE ODPRAVITI NAPAKE, POKLIČITE NAJBLIŽJO SERVISNO SLUŽBO.

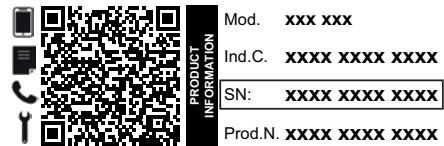
Za pomoč pokličite številko, ki je navedena v garancijski knjižici, ali upoštevajte navodila na spletni strani www.indesit.com.

Ko stopite v stik z našo servisno službo, vedno navedite:

- kratek opis napake;
- tip in točen model aparata;



- Serijska številka (številka po besedi SN na napisni ploščici na spodnji strani naprave). Serijska številka je navedena tudi v dokumentaciji.



- točen naslov;
- svojo telefonsko številko.

Če je potrebno popravilo, se obrnite na pooblaščen servisno službo (za zagotovljeno uporabo originalnih nadomestnih delov in pravilno izvedbo popravila).

Do pravil uporabe, standardne dokumentacije in dodatnih informacij o izdelkih lahko dostopate na naslednje načine:

- Skenirajte QR-kodo na svojem aparatu;
- Obiščite našo spletno stran docs.indesit.eu;
- **Obrnete se lahko tudi na našo servisno službo** (telefonske številke so navedene v servisni knjižici). Ko stopite v stik z našo servisno službo, navedite kode, ki so zapisane na identifikacijski ploščici izdelka.



Cijeli priručnik s uputama preuzmite na <http://docs.indesit.eu> ili nazovite telefonski broj koji se nalazi u jamstvenoj knjižici.

Prije upotrebe uređaja pročitajte ove sigurnosne upute. Sačuvajte ih za buduću referencu.

Ovaj priručnik i sam uređaj sadrže važna sigurnosna upozorenja kojih se morate stalno pridržavati. Proizvođač otklanja svaku odgovornost u slučaju nepoštivanja sigurnosnih uputa, za neprikladno korištenje ili za pogrešno podešavanje komandi.

⚠ **UPOZORENJE:** Ako je površina ploče za kuhanje napukla, ne upotrebljavajte uređaj - opasnost od strujnog udara.

⚠ **UPOZORENJE:** Opasnost od požara: nemojte stavljati stvari na površine za kuhanje.

⚠ **PAŽNJA:** Postupak kuhanja mora se nadzirati. Kratki postupak kuhanja mora se neprestano nadzirati.

⚠ **UPOZORENJE:** Pripremanje hrane na masnoći ili ulju bez nadziranja ugradne ploče može biti opasno - opasnost od požara. Vatru NIKADA ne pokušavajte ugasiti vodom: umjesto toga isključite uređaj i pokrijte plamen, na primjer, poklopcem ili dekom za gašenje požara.

⚠ Ne upotrebljavajte ploču za kuhanje kao radnu površinu ili oslonac. Odjeću ili druge zapaljive materijale ne približavajte uređaju dok se sastavni dijelovi potpuno ne ohlade - opasnost od požara.

⚠ Vrlo maloj djeci (0 - 3 godina) ne dopuštajte pristup uređaju. Maloj djeci (3 - 8 godina) ne dopuštajte pristup uređaju ako nisu pod nadzorom. Djeca starija od 8 godina i osobe smanjenih fizičkih, osjetilnih i mentalnih sposobnosti ili osobe bez dovoljnog iskustva i znanja mogu koristiti uređaj samo ako su pod nadzorom ili su dobili upute o sigurnom rukovanju uređajem te ako razumiju potencijalne opasnosti. Djeca se ne smiju igrati s uređajem. Djeca ne smiju čistiti niti održavati uređaj bez nadzora.

⚠ **UPOZORENJE:** Uređaj i njegovi dostupni dijelovi se tijekom uporabe zagriju. Pazite da ne biste dodirnuli grijaće elemente. Djeca mlađa od 8 godina trebaju se držati podalje od uređaja, osim ako su pod nadzorom.

DOZVOLJENI RASPON UPOTREBE

⚠ **PAŽNJA:** uređaj nije namijenjen radu pomoću vanjskog uređaja za uključivanje kao što je mjerač vremena ili odvojeni sustav daljinskog upravljanja.

⚠ Ovaj uređaj namijenjen je upotrebi u kućanstvima i na sličnim mjestima, kao što su: kuhinje za osoblje u trgovinama, uredi i druge objekti u kojima se radi; seoske kuće; za goste u hotelima, motelima ili sličnim smještajnim jedinicama.

⚠ Ne dopušta se nikakva druga uporaba (npr. grijanje prostorija).

⚠ Ovaj uređaj nije namijenjen za profesionalnu upotrebu. Nemojte koristiti ovaj uređaj na otvorenom prostoru.

INSTALIRANJE

⚠ Pri postavljanju, uređajem moraju rukovati dvije ili više osoba: opasnost od ozljeda. Za raspakiranje i postavljanje uređaja upotrijebite zaštitne rukavice: opasnost od porezotina.

⚠ Postavljanje, uključujući dovod vode (ako je uređaj opremljen) i električne priključke te popravke smije obavljati samo kvalificirani tehničar. Nemojte popravljati ni zamjenjivati bilo koji dio kućanskog uređaja osim ako se to izričito ne navodi u korisničkom priručniku. Djeci ne dozvoljavajte približavanje mjestu postavljanja. Nakon uklanjanja ambalaže s uređaja provjerite da nije došlo do oštećenja za vrijeme transporta. U slučaju problema, kontaktirajte distributera ili najbliži servis. Nakon postavljanja otpadni materijal pakiranja (plastiku, dijelove od stiropora itd.) odložite van dohvata djece: opasnost od gušenja. Uređaj se prije postavljanja mora isključiti iz napajanja: opasnost od električnog udara. Pazite da za vrijeme postavljanja uređaj ne ošteti električni kabel: opasnost od požara ili električnog udara. Uređaj uključite tek kada završi postupak postavljanja.

⚠ Obavite sve radove izrezivanja i pažljivo uklonite sve strugotine i piljevinu prije postavljanja uređaja u element.

⚠ Ako se uređaj ne postavlja iznad pećnice ploča za razdvajanje (nije uključena u pakiranje) mora se postaviti u odjeljak ispod uređaja.

ELEKTRIČNA UPOZORENJA

⚠ Mora postojati mogućnost isključivanja uređaja iz struje uklanjanjem priključka ako je on dostupan ili to učiniti pomoću dostupne sklopke s više polova instalirane uz utičnicu u skladu s pravilima ožičenja i uređaj mora biti uzemljen u skladu s nacionalnim sigurnosnim standardima za električnu struju.

⚠ Nemojte koristiti produžne kabele, višestruke utičnice ili adaptere. Nakon postavljanja električni dijelovi ne smiju biti dostupni korisniku. Uređaj ne upotrebljavajte kada ste mokri ili bosi. Uređaj ne upotrebljavate ako su njegov dovodni kabel ili utikač oštećeni, ako ne radi ispravno ili ako je oštećen ili je pao na tlo.

⚠ Instalacija s utikačem kabela za napajanje nije dopuštena osim ako taj proizvod već nije opremljen s onim kojeg isporučuje proizvođač.


⚠ Ako je kabel za napajanje oštećen, istim ga mora zamijeniti proizvođač, ovlaštenu servisera ili osobe slične kvalifikacije kako biste izbjegli opasne situacije: opasnost od strujnog udara.

ČIŠĆENJE I ODRŽAVANJE

⚠ **UPOZORENJE:** Provjerite je li uređaj isključen ili odspojen iz napajanja prije obavljanja bilo kojeg zahvata održavanja; nikada ne upotrebljavajte uređaje za čišćenje parom: opasnost od električnog udara.

⚠ Ne koristite abrazivne ili korozivne proizvode, sredstva za čišćenje na bazi klora ili strugače za tave.


ODLAGANJE AMBALAŽNIH MATERIJALA

Ambalažni materijal može se u potpunosti reciklirati i označen je simbolom recikliranja .

Različiti dijelovi ambalaže moraju se stoga odgovorno odlagati i u skladu s propisima lokalnih vlasti o odlaganju otpada.

ODLAGANJE KUĆANSKIH UREĐAJA

Ovaj uređaj proizveden je od materijala koji se može reciklirati ili ponovno iskoristiti. Zbrinite ga sukladno lokalnim pravilnicima o zbrinjavanju otpada. Radi detaljnijih informacija o postupanju, uporabi i recikliranju električnih kućanskih aparata, obratite se nadležnom mjesnom uredu, službi za skupljanje komunalnog otpada ili trgovini u kojoj ste uređaj kupili. Ovaj je uređaj označen u skladu s europskom Direktivom 2012/19/EU o otpadnoj električnoj i elektroničkoj opremi (OEEO) i uredbama o otpadnoj električnoj i elektroničkoj opremi iz 2013. (sukladno izmjenama i dopunama). Osigurajte li ispravno odlaganje tog proizvoda, pomoći ćete u sprječavanju mogućih negativnih posljedica za okoliš i zdravlje ljudi.

Simbol  na proizvodu ili na popratnoj dokumentaciji označava da se s njim ne smije postupati kao s kućnim otpadom, nego ga treba odnijeti na odgovarajuće sakupljalište za recikliranje električnog i elektroničkog otpada.

SAVJETI ZA UŠTEDU ENERGIJE

Iskoristite na najbolji način preostalu toplinu svoje vruće ploče tako da je isključite nekoliko minuta prije kraja kuhanja.

Dno posude treba u potpunosti prekrivati vruću ploču; posuda koja je manja od vruće ploče dovodi do rasipanja energije.

Lonce i tave pokrijte prijanjućim poklopcima tijekom kuhanja i upotrebljavajte što je moguće manje vode. Kuhanje bez poklopca značajno povećava potrošnju energije.

Upotrebljavajte samo lonce i tave s ravnim dnom.

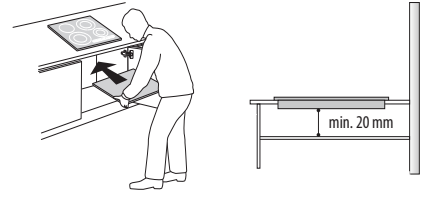
IZJAVA O SUKLADNOSTI

Ovaj uređaj ispunjava zahtjeve o eko-dizajnu europske Uredbe 66/2014 i propise o eko-dizajnu za proizvode povezane s energijom i informacije o energiji (Dopuna) (izlaz iz EU) iz 2019., u skladu s europskom normom EN 60350-2.



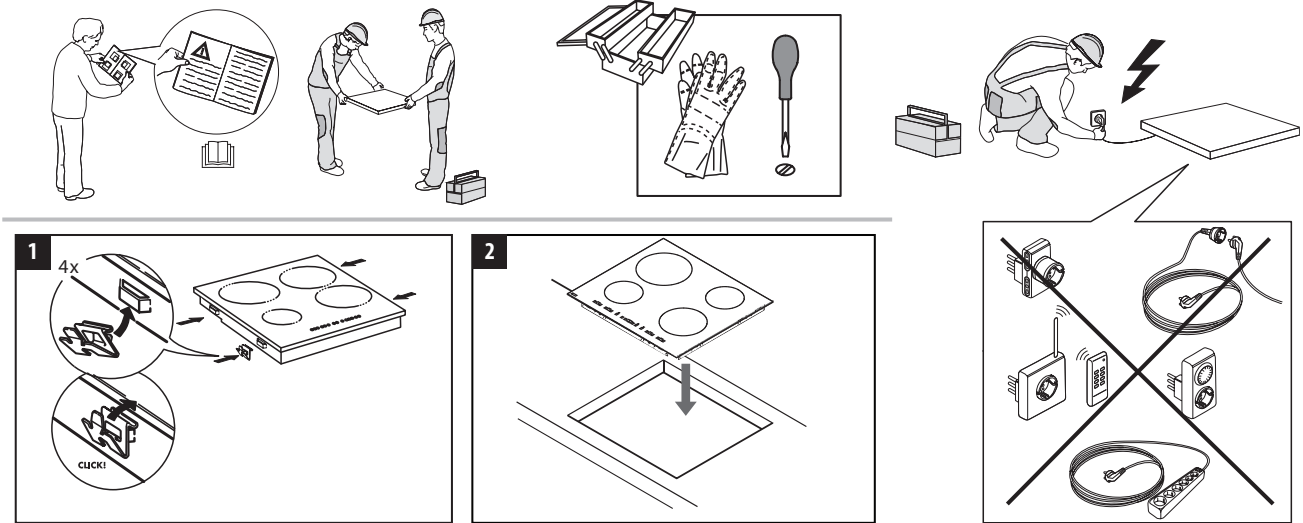
INSTALIRANJE

- Ploča za kuhanje mora se postaviti u radnu površinu na dubinu od najmanje 20 mm.
- Ništa se ne smije nalaziti između ploče za kuhanje i pećnice (poprečne vodilice, nosači itd.).
- Provjerite je li kabel napajanja dovoljno dug da omogućava praktično postavljanje.
- Udaljenost između donje površine staklo keramičke ploče za kuhanje i ormarića ili ploče za razdvajanje mora biti najmanje 20 mm.
- Dimenzije i način ugradnje pogledajte na slici u ovom odjeljku.
- Mora se održati minimalni razmak između ploče za kuhanje i nape iznad nje. Više informacija potražite u korisničkom priručniku nape.
- Isporučenu brtvu postavite na ploču za kuhanje (ako već nije postavljena) nakon što ste očistili površinu.
- Površinu za kuhanje nemojte postavljati u blizini perilice posuđa ili perilice rublja kako elektronički krugovi ne bi došli u kontakt s parom ili vlagom koja bi ih mogla oštetiti.
- Ako se pećnica postavlja ispod ploče za kuhanje, provjerite je li opremljena rashladnim sustavom. Ako temperatura elektroničkih sustava prijeđe maksimalnu dozvoljenu temperaturu, ploča za kuhanja automatski će se isključiti; u tom slučaju pričekajte nekoliko minuta da unutarnja temperatura elektroničkih sustava dosegne prihvatljivu razinu kada će se štednjak ponovno moći uključiti.

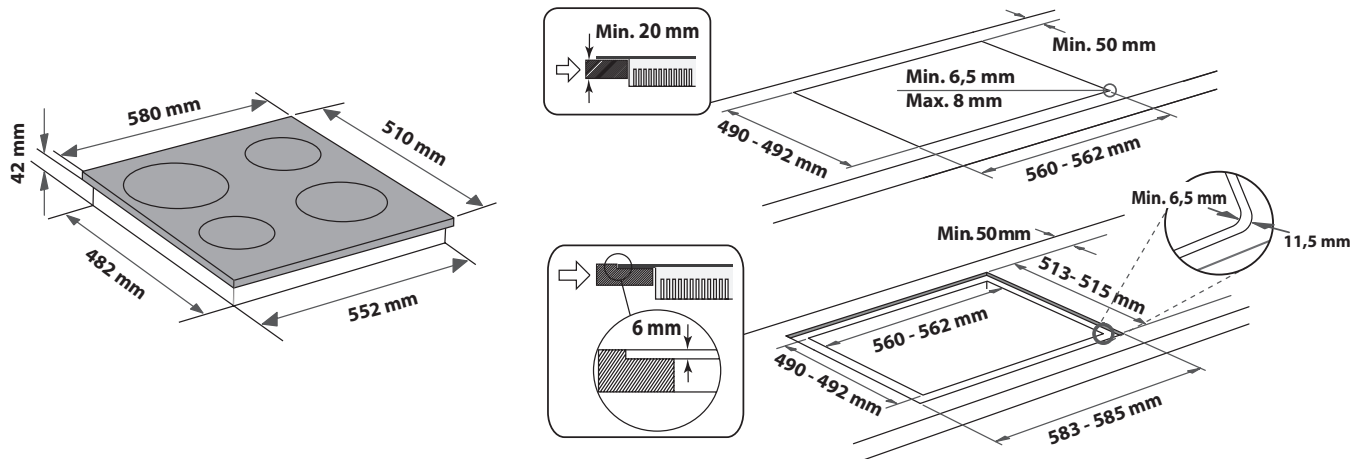
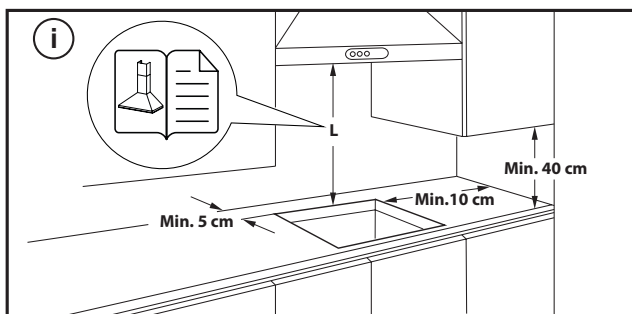


POSTAVLJANJE PLOČE ZA KUHANJE

Nakon priključivanja na električnu mrežu (pogledajte poglavlje "Priključivanje na električnu mrežu") svaku pričvrtnu kopču postavite u tome namijenjene utore na bočnim stranicama ploče za kuhanje kao što je prikazano na slici. Ploču za kuhanje zatim gurnite u rez i provjerite je li staklena površina ravna i paralelna s radnom površinom. Pričvrste su kopče napravljene za sve vrste materijala radne površine (drvo, mramor itd.).



DIMENZIJE I UDALJENOSTI KOJE TREBA ODRŽAVATI



SKIDANJE PLOČE ZA KUHANJE:

Ploču za kuhanje uklonite tako da ju odspojite od električnog napajanja. Posebice se preporučuje da oslobodite donji dio pećnice, ladice, separatora ili nekog drugog dijela. Tako se tehničarima omogućuje pristup donjem dijelu ploče za kuhanje da bi odvijačem otkvačili četiri kopče, podigli ploču za kuhanje i skinuli ju, a da ni na koji način ne oštete radnu površinu.

PRIKLJUČIVANJE NA ELEKTRIČNU MREŽU

Električni priključak mora se napraviti prije priključivanja uređaja na električno napajanje.

Kabel za napajanje nije uključen u pakiranje – obavezno pripremite vlastit kabel.

Instalaciju mora provesti kvalificiran osoblje koje poznaje važeće sigurnosne i instalacijske propise. Posebice, instalacija se mora obaviti u skladu s pravilima lokalne tvrtke za opskrbu električnom energijom.

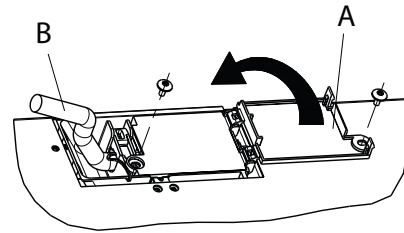
Napon naveden na pločici s podacima na dnu aparata mora biti jednak naponu mreže u stambenom objektu.

Propisi zahtijevaju da uređaj bude uzemljen: upotrebljavajte samo vodiče odgovarajuće veličine (uključujući uzemljeni vodič).

PRIKLJUČIVANJE NA BLOK S PRIKLJUČCIMA

Priključivanje na električnu mrežu izvedite kabelom H05RR-F ili H05V2V2-F kao što je navedeno u tablici u nastavku.

MREŽNI NAPON	VODIČI BROJ I VELIČINA
220-240V ~+ ⊕	3 x 4 mm ²
230-240V ~+ ⊕	3 x 4 mm ² (samo Australija)
220-240V 3~+ ⊕	4 x 1,5 mm ²
380-415V 3N~+ ⊕	5 x 1,5 mm ²
380-425V 2N~+ ⊕	4 x 1,5 mm ²



Uređaj priključite na električno napajanje pomoću višepolnog prekidača za iskopčavanje s razmakom između kontakata najmanje 3 mm.

PAŽNJA: kabel za napajanje mora biti dovoljno dug kako bi omogućio da se ploča za kuhanje može ukloniti s radne površine i mora se postaviti tako da se izbjegne oštećenje ili pregrijavanje uzrokovano kontaktnom s postoljem.

NAPOMENA: žuto/zelena žica uzemljenja mora se priključiti na priključak sa simbolom ⊕ i mora biti dulja od ostalih žica.

- Uklonite pribl. 70 mm ovojnice kabela s kabela za napajanje (B).
- Ogulite pribl. 10 mm ovojnice sa žica. Zatim umetnite kabel za električno napajanje u kabelsku stezaljku i spojite žice na priključnicu kao što je navedeno na shematskom prikazu priključivanja u blizini priključnice.
- Kabel za napajanje (B) učvrstite pomoću kabelske stezaljke.
- Ploču priključka zatvorite pokrovom (A) kojeg trebate učvrstiti s isporučnim vijkom.
- Nakon električnog priključivanja, postavite štednjak s vrha i zakvačite ga na potpome opruge u skladu s crtežom.



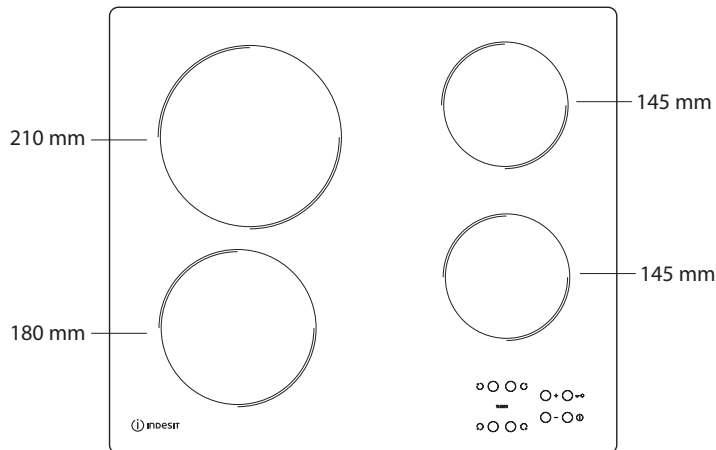
ZAHVALJUJEMO VAM NA KUPOVINI PROIZVODA WHIRLPOOL
Kako bismo vam mogli pružiti potpuniju pomoć, registrirajte svoj uređaj na adresi www.indesit.com/register.

SKENIRAJTE QR KOD NA SVOM UREĐAJU DA BISTE DOBILI VIŠE INFORMACIJA

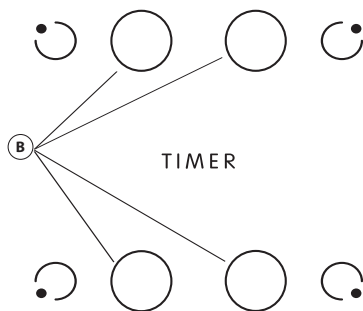


Pažljivo pročitajte sigurnosne upute prije upotrebe uređaja.

OPIS PROIZVODA



UPRAVLJAČKA PLOČA



- A** Uključivanje/isključivanje
- B** Odabir područja kuhanja i mjerača vremena
- C-E** Povećanje i smanjenje postavke topline
- D** Zaključavanje tipki

PRVA UPOTREBA

Nakon prvog postavljanja upravljačka ploča provodi funkcionalno ispitivanje u trajanju od oko 1 s nakon čega se automatski prebacuje na funkciju "Zaključavanje tipki". Funkciju isključite tako da pritisnete i držite gumb "D"; oglasit će se zvučni

signal i isključiti odgovarajuće led svjetlo.

NAPOMENA: Ako dođe do ponovnog postavljanja, ponovite gore opisani postupak.

SVAKODNEVNA UPORABA



UKLJUČIVANJE/ISKLJUČIVANJE PLOČE

Štednjak uključite tako da gumb "A" držite pritisnutim oko 2 sekunde. Na zaslonima 4 područja kuhanja prikazuje se "0". Ako se u roku od 20 sekundi ne uključi niti jedno područje kuhanja, štednjak se automatski isključuje iz sigurnosnih razloga.

UKLJUČIVANJE I PODEŠAVANJE ZONA ZA KUHANJE

Pritisnite jedan od gumba "B" koji odgovara području kuhanja koje namjeravate upotrebljavati. Odaberite traženu postavku topline pomoću gumba "E" ili "C". Ostale postavke kuhanja koje se mogu odabrati numerirane su od 1 do 9. Istovremeno pritisnite gumb "+" ili "-" kako biste poništili sve postavke.

VAŽNO: komanda se isključuje nakon 10 sekundi ako nije odabrana postavka topline. Promjenu topline promijenite tako da najprije ponovno pritisnete gumb za odabir "B", zatim nastavite s promjenom postavke pomoću gumba "E" ili "C".

TIMER

Funkciju mjerača vremena postavite tako da odaberete željeno područje kuhanja i postavku snagu, zatim ponovno pritisnete tipku područja kuhanja i na zaslonu područja kuhanja s mjeračem vremena prikazuje se svjetleća točka. Oznaka "00" treperi na 2 zaslona. Pritisnite gumb "C" ili "E" za postavljanje vremena od 1 do 99.

VAŽNO: nakon 10 sekundi na zaslonu mjerača vremena prikazuje se postavka snage ostalih područja kuhanja.

Preostalo vrijeme kuhanja pogledajte tako da dva puta pritisnete tipku područja kuhanja s mjeračem vremena.

FUNKCIJA A

Ova funkcija omogućuje da se automatski smanji snaga zone za kuhanje od najveće vrijednosti (razina 9) do one koju korisnik odabere u kasnijoj fazi kuhanja. Da biste uključili ovu funkciju, prvo pritisnite gumb "+" kad se postigne razina 9. Na zaslonu naizmjenično trepere "A" i "9" slabijim svjetlom.

Tada odaberite željenu razinu snage (manje od 9) s pomoću gumba "-".

“A” i odabrana razina naizmjenično trepere slabijim svjetlom na zaslonu. Funkcija je uključena kad “A” i odabrana razina naizmjenično trepere slabijim svjetlom na zaslonu.

Kad “A” više nije vidljiv na zaslonu (funkcija “A” automatski se isključuje nakon nekoliko minuta ovisno o postavljenoj razini snage), postupak kuhanja nastavlja se slabijom snagom i na zaslonu se prikazuje samo odabrana razina snage.

NAPOMENA: ova funkcija nije moguća na razini 9.

ZAKLJUČAVANJE TIPKI

Funkcija Zaključavanje tipki uključuje se tako da se gumb “D” drži pritisnut sve dok ne zasvijetle točke iznad gumba funkcije. Na upravljačkoj ploči zaključavaju se sve funkcije osim funkcije za isključivanje. Funkcija ostaje uključena čak i nakon ponovnog isključivanja i uključivanja gumba i može se isključiti ponovnim pritiskom na gumb “D” sve dok se ne isključi funkcijskog gumba.

Kad je ploča za kuhanje isključena s pomoću zaključavanja tipki koja je uključena da bi isključila ploču za kuhanje, prvo isključite funkciju zaključavanja tipki tako da ponovno pritisnete gumb “D” sve dok se ne isključi točka iznad gumba funkcije.

Vodom, tekućinom prolivenom iz posude ili bilo kakvim predmetima na tipkama ispod simbola slučajno možete aktivirati ili deaktivirati funkciju zaključavanja tipki.

INDIKATOR PREOSTALE TOPLINE

Kada se područje kuhanja isključi, indikator preostale topline “H” ostaje isključen i treperi naizmjenično s “0” sve dok se temperatura štednjaka ne vrati unutar razina sigurnosti.

VAŽNO: Sigurnosne značajke štednjaka uključuju i funkciju automatskog isključivanja. Produljena upotreba iste postavke topline uključuje automatsko

isključivanja područja kuhanja (na primjer, nakon oko 1 sata rada na maksimalnoj postavci topline područje kuhanja isključuje se).

VAŽNO: Da bi se izbjeglo trajno oštećenje ploče za kuhanje:

- nemojte upotrebljavati lonce kojima dno nije potpuno ravno;
- nemojte upotrebljavati metalne lonce s emajliranim dnom;
- nemojte postavljati vruće lonce/tave na upravljačku ploču.

Ova je ploča opremljena i funkcijom “automatskog isključivanja” koja isključuje zonu za kuhanje ako nijedna izmjena razine snage nije napravljena nakon određenog vremenskog okvira ovisno o samoj postavci snage. U tablici je navedeno trajanje svake razine snage.

RAZINA SNAGE	VRIJEME AUTOMATSKOG ISKLJUČIVANJA
0	30 sekundi
1	10 sati
2	5 sati
3	5 sati
4	4 sata
5	3 sata
6	2 sata
7	2 sata
8	2 sata
9	1 sat

TABLICA KUHANJA

RAZINA SNAGE		VRSTA PRIPREME JELA	RAZINA UPOTREBE (označava iskustvo u kuhanju i navike)
Maksimalna snaga	9	Ključanje	Idealno za brzo povećanje temperature jela na brzo vrenje, predviđeno za vodu ili tekućine koje se brzo zagrijavaju.
	9 – 8	Prženje	Idealno za jače završno pečenje, početak kuhanja, prženje zamrznutih proizvoda, brzo zakuhanje.
Visoka snaga	8 – 7	Završno pečenje – održavanje vrenja – pečenje na roštilju	Idealno za prženje, održavanje jakog ključanja, kuhanje i pečenje na roštilju (kratkotrajno, 5 – 10 minuta).
	7 – 6	Prženje – kuhanje – pečenje na roštilju	Idealno za održavanje laganog ključanja, kuhanje i pečenje na roštilju (srednje trajanje, 10 – 20 minuta), predgrijavanje i prženje.
Srednja snaga	6 – 5	Lagano prženje	Idealno za prženje jaja, omlete.
	5 – 4	Kuhanje – pirjanje – vrenje	Idealno za recepte s dugom pripremom (riža, umaci, pečenja, riba) s tekućinom (npr. voda, vino, temeljac, mlijeko), pripremu tjestenine s umakom.
	4 – 3	Zgušnjavanje – tjestenina s kremastim umakom	
Niska snaga	2 – 1	Održavanje hrane vrućom – kremasti rižoto	Idealno za održavanje netom kuhane hrane toplom (npr. umaka, juha, minestrone), kremasti rižoto i održavanje posluženih jela toplim.
Minimalna snaga	1	Odmrzavanje	Idealno za odmrzavanje malih proizvoda i lagano topljenje čokolade ili maslaca.
Nulta snaga	0	–	Ploča je u stanju mirovanja ili je isključena (moguća preostala toplina nakon kuhanja, označena slovom “H”).

ČIŠĆENJE I ODRŽAVANJE

Iskopčajte uređaj iz struje.

- Ne upotrebljavajte pribor za parno čišćenje.
- Ne upotrebljavajte abrazivne spužve ili spužve za ribanje jer one mogu oštetiti staklo.
- Nakon svake upotrebe očistite ploču (kada se ohladi) kako biste uklonili ostatke i mrlje od ostataka hrane.
- Šećer ili hrana koja sadrži puno šećera može oštetiti ploču i mora se odmah ukloniti.

- Sol, šećer i pijesak mogli bi prouzročiti ogrebotine na staklenoj površini.
- Koristite meku krpu, kuhinjske ručnike koji upijaju tekućinu ili posebna sredstva za čišćenje ploča (u skladu s uputama proizvođača).
- Posude bi se mogle micati ili vibrirati zbog prolivene tekućine u zonama za kuhanje.
- Dobro osušite ploču nakon čišćenja.

RJEŠAVANJE PROBLEMA

Ako ploča za kuhanje ne radi pravilno, prije pozivanja postprodajnog servisa pogledajte vodič za otklanjanje poteškoća kako biste utvrdili problem.

- Pročitajte i pridržavajte se uputa navedenih u dijelu "Svakodnevna uporaba".
- Provjerite da napajanje nije isključeno.
- Dobro osušite ploču nakon čišćenja.
- Ako je odabrano područje kuhanja i na zaslonu se prikazalo "F" ili "ER" popraćeno brojkom, obratite se postprodajnoj službi i obavijestite ih.
- Ako je kod pogreške "F03", "ER03" ili "E02", pokušajte ga riješiti prateći ove upute:
 - Ako se pojavi pogreška "E02", provjerite da niste na dulje od 5 sekundi pritiskali gumb, da na području sučelja uređaja nema predmeta i da je ono suho i čisto, a prilikom čišćenja pratite odlomak čišćenje i održavanje.
 - Ako se pojavi pogreška "F03", pokušajte ponovno isključiti i ponovno uključiti ploču za kuhanje.
 - Ako se pojavi pogreška "F04", obratite se postprodajnoj službi i recite im koji se kod prikazao.

- Ako štednjak ne radi nakon dulje, intenzivne upotrebe, unutarnja temperatura štednjaka je previsoka. Pričekajte nekoliko minuta da se štednjak ohladi.
- Ako grijač nije stalno uključen, već se ciklički uključuje i isključuje iako se ne mijenja razina snage na zaslonu ne mijenja, to je dio uobičajenog rada ploče za kuhanje. Ciklus uključivanja/isključivanja omogućuje regulaciju snage grijača i potpuno je uobičajen. U nekim slučajevima mogla bi se na određeno vrijeme isključiti toplinska zaštita da bi se izbjeglo oštećenje stakla. Takvi su slučajevi: dugotrajno kuhanja na visokoj razini snage, u loncu koji je manji od grijača i u loncu koji nema ravno dno.
- Ako ploča za kuhanja odašilje kratki zvuk, a da niste pritisnuli nijedan gumb, provjerite ima li prolivene tekućine na sučelju uređaja. Osušite sučelje uređaja i nastavite upotrebljavati ploču za kuhanje. Ako se ploča za kuhanje automatski isključila, to je možda prouzročila tekućina na sučelju uređaja. Osušite sučelje uređaja i ponovno uključite ploču za kuhanje.

Ako i nakon navedenih provjera kvar ostaje, obratite se najbližem postprodajnom servisu.

POSTPRODAJNI SERVIS

Kako bismo vam mogli pružiti potpuniju pomoć, registrirajte svoj uređaj na adresi www.indesit.com/register.

PRIJE NEGO ŠTO KONTAKTIRATE POSTPRODAJNI SERVIS:

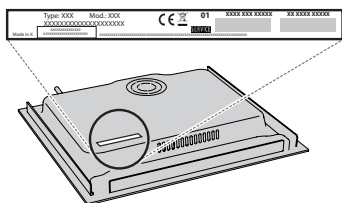
1. Pogledajte možete li sami riješiti problem uz pomoć prijedloga danih u **VODIČ ZA RJEŠAVANJE PROBLEMA**.
2. Isključite i ponovno uključite uređaj kako biste provjerili je li kvar uklonjen.

AKO SE I NAKON NAVEDENIH PROVJERA KVAR I DALJE JAVLJA, OBRATITE SE NAJBLIŽEM POSTPRODAJNOM SERVISU.

Za pomoć nazovite broj u knjižici jamstva ili slijedite upute na webmjestu www.indesit.com.

Kada kontaktirate korisničku službu uvijek navedite:

- kratki opis kvara,
- vrstu i točan model uređaja;



- serijski broj (broj iza riječi SN na nazivnoj pločici na dnu uređaja). Serijski je broj naveden i u dokumentaciji;



Mod. XXX XXX
Ind.C. XXXX XXXX XXXX
SN: XXXX XXXX XXXX
Prod.N. XXXX XXXX XXXX

- svoju punu adresu;
- svoj telefonski broj.

Ako je popravak potreban obratite se ovlaštenom Postprodajnom servisu (kako bi se jamčila uporaba originalnih rezervnih dijelova i ispravan popravak).

Pravila, standardne dokumente i dodatne informacije o proizvodu možete pronaći tako da:

- Upotrijebite QR kod na uređaju;
- Posjetite naše web-mjesto docs.indesit.eu;
- Možete i **kontaktirati naš postprodajni servis** (broj telefona potražite u knjižici jamstva). Kada se obraćate našem postprodajnom servisu navedite kodove navedene na identifikacijskoj pločici proizvoda.



BEZBEDNOSNA UPUTSTVA

VAŽNO JE DA SE PROČITAJU I POŠTUJU

Preuzmite kompletno korisničko uputstvo sa adrese <http://docs.indesit.eu> ili pozovite broj telefona koji se nalazi u garantnoj knjižici.

Pažljivo pročitajte ova bezbednosna uputstva pre upotrebe uređaja. Sačuvajte ih za buduću upotrebu. Ovaj priručnik i sam uređaj pružaju važna bezbednosna upozorenja koja morate pročitati i kojih se morate uvek pridržavati. Proizvođač se odriče svake odgovornosti u slučaju nepoštovanja ovih bezbednosnih uputstava, nepravilnog korišćenja uređaja ili nepravilno podešenih kontrola.

⚠ **UPOZORENJE:** Ukoliko je površina ploče za kuvanje naprsila, nemojte koristiti uređaj - postoji rizik od električnog udara.

⚠ **UPOZORENJE:** Opasnost od požara: ne skladištite stvari na površinama za kuvanje.

⚠ **OPREZ:** Proces kuvanja mora da se nadgleda. Kraći proces kuvanja mora neprekidno da se nadgleda.

⚠ **UPOZORENJE:** Kuvanje na ploči bez nadzora, kada se koristi mast ili ulje, može da bude opasno - postoji rizik od požara. NIKADA nemojte pokušavati da ugasi požar vodom: umesto toga, isključite uređaj, a zatim pokrijte plamen poklopcem, na primer, ili vatrostalnim prekrivačem.

⚠ Nemojte da koristite ploču za kuvanje kao potporu ili radnu površinu. Krpe i druge zapaljive materijale držite dalje od uređaja dok se svi delovi potpuno ne ohlade - postoji rizik od požara.

⚠ Malu decu (do 3 godine) treba držati dalje od uređaja. Malu decu (3-8 godina) treba držati dalje od uređaja, osim ukoliko imaju konstantan nadzor. Deca starosti od 8 godina i više i osobe sa umanjanim fizičkim, čulnim ili mentalnim sposobnostima ili manjkom iskustva i znanja, mogu da koriste ovaj uređaj samo ako su pod nadzorom ili ako su im data uputstva za bezbedno korišćenje uređaja i ukoliko razumeju moguće rizike. Deca se ne smeju igrati sa uređajem. Čišćenje i održavanje ne smeju vršiti deca bez nadzora.

⚠ **UPOZORENJE:** Uređaj i njegovi dostupni delovi jako se zagrevaju u toku upotrebe. Pobrinite se da ne dođe do kontakta sa grejnim elementima. Decu mlađu od 8 godina treba uvek držati po strani, ukoliko nisu pod stalnim nadzorom.

DOZVOLJENA UPOTREBA

⚠ **OPREZ:** Uređaj nije predviđen da se njime upravlja spoljnim uređajem za uključivanje, kao što je tajmer, ili odvojenim sistemom za daljinsko upravljanje.

⚠ Ovaj uređaj je namenjen za upotrebu u domaćinstvu i takođe se može koristiti: u kuhinjama za osoblje u prodavnicama, kancelarijama i drugim radnim okruženjima; u seoskim gazdinstvima; od strane gostiju hotela, motela, prenoćišta sa doručkom i drugih objekata za smeštaj gostiju.

⚠ Nijedna druga upotreba nije dozvoljena (npr. zagrevanje prostorija).

⚠ Ovaj uređaj nije namenjen za profesionalnu upotrebu. Ne koristite uređaj na otvorenom.

UGRADNJA

⚠ Ovim uređajem moraju rukovati i montirati ga dve ili više osoba - postoji rizik od povrede. Prilikom raspakivanja i ugradnje, koristite zaštitne rukavice - rizik od posekوتا.

⚠ Ugradnju, uključujući dovod vode (ako postoji), električno povezivanje i popravke mora da obavi kvalifikovani tehničar. Ne popravljajte delove uređaja i ne menjajte ih ukoliko to nije izričito navedeno u uputstvu za upotrebu. Držite decu podalje od mesta ugradnje. Nakon otpakivanja uređaja, uverite se da nije došlo do oštećenja prilikom transporta. U slučaju da ima nekih problema, obratite se svom prodavcu ili najbližoj Postprodajnoj službi. Nakon ugradnje, otpadna ambalaža (plastični delovi, delovi od stiropora itd.) se mora čuvati van domašaja dece - rizik od gušenja. Pre ugradnje, uređaj se mora isključiti sa strujnog napajanja - postoji rizik od strujnog udara. Pazite da uređaj ne ošteti kabl za napajanje tokom ugradnje - postoji rizik od požara ili strujnog udara. Aktivirajte uređaj tek nakon što je postupak ugradnje završen.

⚠ Sva sečenja na vitrini obavite pre postavljanja uređaja u kućište i uklonite sve opiljke i strugotinu.

⚠ Ukoliko uređaj nije postavljen iznad rerne, pregradna ploča (koja nije uključena) se mora postaviti u odeljak ispod uređaja.

OPASNOST OD ELEKTRIČNOG UDARA

⚠ Mora biti omogućeno isključivanje uređaja sa napajanja izvlačenjem utikača iz utičnice, ukoliko joj se može pristupiti, ili putem dostupnog višepolnog prekidača postavljenog iznad utičnice u skladu sa pravilima ožičenja, a uređaj mora biti uzemljen, u skladu sa nacionalnim bezbednosnim standardima.

⚠ Ne koristite produžne kablove, višestruke utičnice ili adaptere. Nakon ugradnje električni delovi ne smeju da budu dostupni korisniku. Ne koristite uređaj kada ste mokri ili bos. Ne rukujte ovim uređajem ako mu je oštećen kabl za napajanje ili utikač, ako ne radi kako treba, ili ako je oštećen ili ste ga ispustili.

⚠ Instalacija pomoću utikača strujnog kabla nije dozvoljena, osim u slučaju da je proizvod već opremljen utikačem koji je obezbedio Proizvođač.


⚠ Ukoliko je kabl za napajanje oštećen, potrebno je da ga proizvođač, serviser ili druga kvalifikovana osoba zameni istim takvim kako bi se izbegla opasnost - postoji rizik od električnog udara.

ČIŠĆENJE I ODRŽAVANJE

⚠ **UPOZORENJE:** Pre obavljanja čišćenja ili održavanja, vodite računa da uređaj bude isključen i da ne bude priključen na strujno napajanje; nikada ne koristite opremu za čišćenje parom - postoji rizik od električnog udara.

⚠ Nemojte da koristite abrazivne ili korozivne proizvode, sredstva za čišćenje na bazi hlora ili mrežice za čišćenje posuđa.


ODLAGANJE AMBALAŽE

Materijal za pakovanje je moguće 100% reciklirati i označen je reciklažnim simbolom .

Razni delovi pakovanja se moraju odgovorno odlagati u skladu i potpuno sa lokalnim propisima o odlaganju otpada.

ODLAGANJE KUĆNIH UREĐAJA

Ovaj uređaj je proizveden od materijala koji se mogu reciklirati ili ponovo upotrebiti. Odložite ga u skladu s lokalnim propisima o odlaganju otpada. Za više informacija o tretmanu, ponovnom iskorišćavanju i reciklaži kućnih električnih uređaja obratite se nadležnom lokalnom organu vlasti, službi za sakupljanje komunalnog otpada ili prodavnici u kojoj ste kupili uređaj. Ovaj uređaj je označen u skladu sa Evropskom direktivom 2012/19/EU o električnoj i elektronskoj opremi (WEEE) i u skladu sa regulativama o električnoj i elektronskoj opremi 2013 (sa izmenama i dopunama). Ako pravilno odložite proizvod na otpad, pomoći ćete u sprečavanju potencijalnih negativnih posledica po životnu sredinu i zdravlje ljudi.

Simbol  na proizvodu ili na dokumentima koji prate proizvod pokazuje da se ovaj uređaj ne može tretirati kao otpad iz domaćinstva, već treba da se dostavi odgovarajućem centru za sakupljanje i recikliranje električne i elektronske opreme.

SAVETI ZA UŠTEDU ENERGIJE

Iskoristite maksimalno zaostalu toplotu koju proizvodi ringla, tako što ćete isključiti uređaj par minuta pre završetka kuvanja.

Osnova tiganja ili šerpe treba u potpunosti da prekrije ringlu; posuda koja je manje površine nego ringla će bespotrebno trošiti energiju.

Tiganje i šerpe prekrijte poklopcima prilikom kuvanja i koristite što manje vode. Priprema hrane u posudi bez poklopca će dovesti do pojačane potrošnje energije.

Koristite samo šerpe i tiganje sa ravnim dnom.

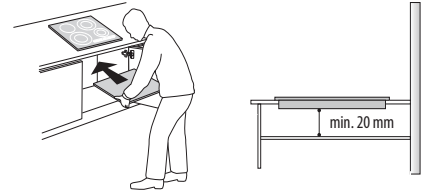
IZJAVA O USAGLAŠENOSTI

Ovaj uređaj ispunjava zahteve za Evropsku odredbu 66/2014 i propise za ekološki dizajn za proizvode u vezi sa energijom i energetske informacije (amandman) (izlazak iz EU) 2019, u skladu sa Evropskim standardom EN 60350-2.



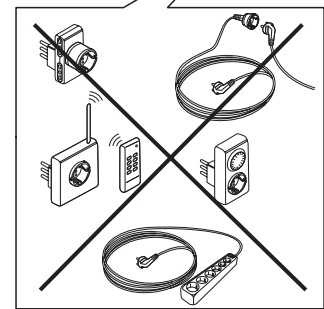
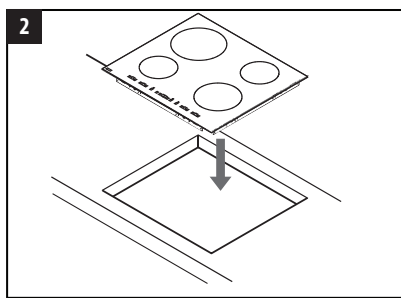
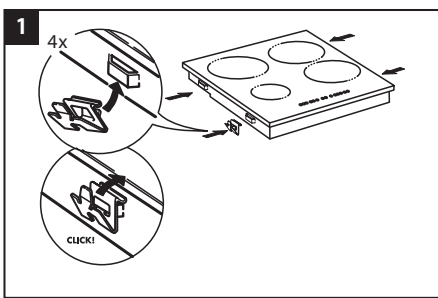
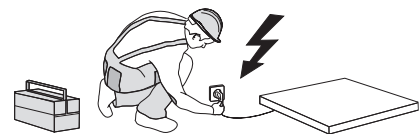
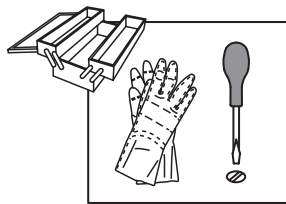
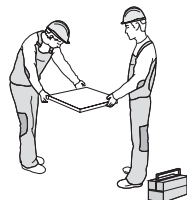
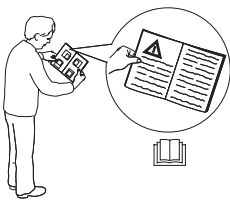
UGRADNJA

- Ploča za kuvanje mora da bude postavljena u radnu površinu na dubini od najmanje 20 mm.
- Između površine za kuvanje i rerne ne sme ništa da stoji (vođice, podupirači, itd.).
- Postarajte se da kabl za napajanje bude odgovarajuće dužine koja će omogućiti prikladnu instalaciju.
- Razdaljina između donje strane staklo-keramičke ploče za kuvanje ili kuhinjskog elementa ili razdvajajuće ploče mora da bude najmanje 20 mm.
- Za ugradne dimenzije i ugradnju pogledajte sliku u ovom pasusu.
- Minimalno rastojanje između ploče za kuvanje i aspiratora iznad nje se mora ispoštovati. Više informacija potražite u korisničkom uputstvu za aspirator.
- Dostavljenu zaptivku postavite na površinu za kuvanje (osim ako nije već postavljena), nakon što ste očistili površinu.
- **Površinu za kuvanje nemojte montirati pored mašine za pranje posuđa ili rublja da električna kola ne bi došla u kontakt sa parom ili vlagom što bi moglo da ih ošteti.**
- Ukoliko je rerna smeštena ispod površine za kuvanje, vodite računa da poseduje rashladni sistem. Ukoliko temperatura električnih kola premaši maksimalnu dozvoljenu temperaturu, površina za kuvanje će se odmah isključiti; u tom slučaju, sačekajte par minuta dok se unutrašnja temperatura električnih kola ne spusti na podnošljiv nivo, kada ćete ujedno moći opet da uključite ploču za kuvanje.

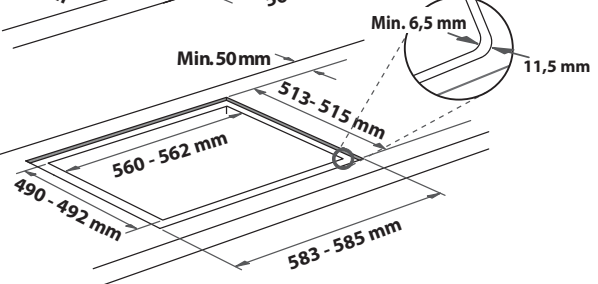
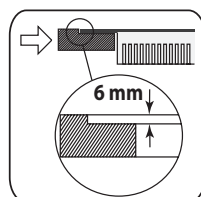
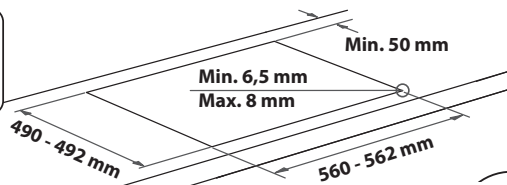
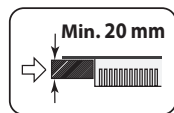
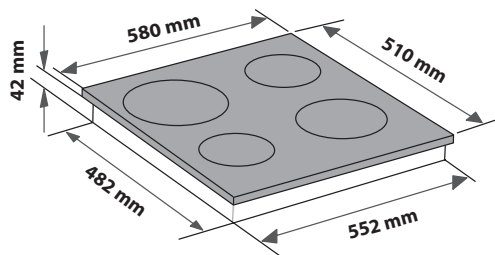
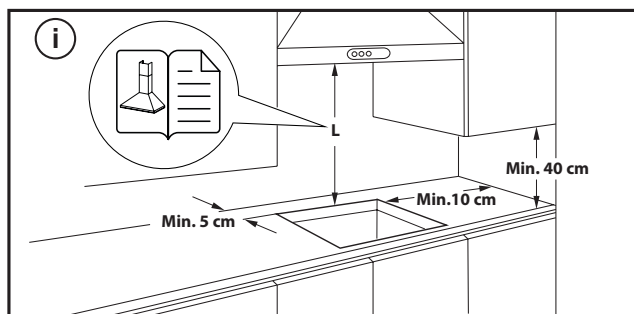


POSTAVLJANJE PLOČE ZA KUVANJE

Nakon priključivanja na električnu mrežu (pogledajte poglavlje "Priključivanje na električnu mrežu"), postavite svaki od pričvrstnih držača na namenska ležišta na bočnim stranama ploče za kuvanje, kao što je prikazano na slici. Zatim gurnite ploču za kuvanje unutar izreza i proverite da li je staklo ravno i paralelno sa radnom pločom. Pričvrstni držači su projektovani za svaku vrstu materijala radne ploče (drvo, mermer, itd.).



DIMENZIJE I RAZMACI



UKLANJANJE PLOČE:

Da biste uklonili ploču, prvo je isključite iz električnog napajanja. Preporučuje se da obavezno oslobodite gornji deo od rerne, fioke, pregradne ploče ili drugog elementa. To omogućava tehničaru da pristupi donjem delu ploče radi odvrtanja četiri žabice pomoću odvijača i da podigne ploču i skine je bez oštećenja radne površine.

PRIKLJUČIVANJE NA ELEKTRIČNO NAPAJSANJE

Povezivanje električnih priključaka se mora izvršiti pre priključenja uređaja na električnu mrežu.

Kabl za napajanje se ne isporučuje uz proizvod – ne zaboravite da pripremite svoj kabl za napajanje.




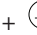
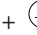
Montiranje mora da obavi kvalifikovano osoblje koje je upoznato sa aktuelnim propisima u vezi sa bezbednošću i montiranjem. Naročito, montiranje se mora izvršiti u skladu sa propisima lokalne kompanije za snabdevanje električnom energijom.

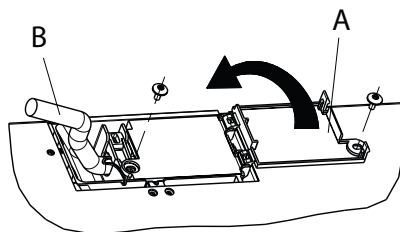
Uverite se da je napon koji je naveden na natpisnoj pločici na dnu aparata isti kao napon u kući.

Propisi nalažu da uređaj bude uzemljen: koristite isključivo provodnike (uključujući provodnik uzemljenja) odgovarajuće veličine.

POVEZIVANJE SA PRIKLJUČNIM BLOKOM

Za priključivanje na električnu mrežu koristite kabl H05RR-F ili H05V2V2-F, kao što je navedeno u tabeli koja sledi.

MREŽNI NAPON ZA NAPAJSANJE	PROVODNICI KOLICINA x VELICINA
220-240V ~+ 	3 x 4 mm ²
230-240V ~+ 	3 x 4 mm ² (samo za Australiju)
220-240V 3~+ 	4 x 1,5 mm ²
380-415V 3N~+ 	5 x 1,5 mm ²
380-425V 2N~+ 	4 x 1,5 mm ²



Uređaj mora biti priključen na električnu mrežu putem prekidača za odvajanje svih polova sa minimalnim kontaktim zazorom od 3 mm.

PAŽNJA: kabl za napajanje treba da bude dovoljno dugačak kako bi površina za kuvanje mogla da se izvadi iz radne ploče, i treba da se postavi kako bi se izbeglo oštećenje ili pregrevanje do kog može da dođe prilikom kontakta sa osnovom.

NAPOMENA: žuti/zeleni provodnik uzemljenja mora da bude povezan sa kablovskom utičnicom sa simbolom  i mora da bude duži od ostalih žica.

- Uklonite otprilike 70 mm izolacionog omotača sa kabla napajanja (B).
- Skinite nekih 10 mm omotača sa žica. Potom umetnite kabl napajanja u klemu kabla i povežite žice sa priključnim blokom kao što je prikazano u dijagramu ožičenja koji se nalazi u blizini samog priključnog bloka.
- Osigurajte kabl napajanja (B) pomoću kleme kabla.
- Zatvorite priključni blok sa poklopcem (A) i pričvrstite ga zavrtnjima koje ste dobili.
- Nakon povezivanja električnih priključaka, postavite ploču sa kuvanje sa gornje strane i zakačite je na potporne opruge, prateći uputstva na slici.



HVALA ŠTO STE KUPILI PROIZVOD KOMPANIJE WHIRLPOOL
Kako biste dobili kompletniju podršku, registrujte svoj proizvod putem www.indesit.com/register.

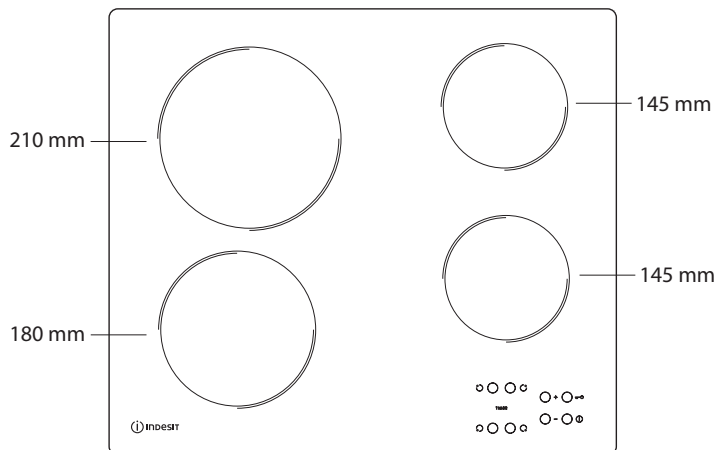


Pažljivo pročitajte bezbednosna uputstva pre upotrebe uređaja.

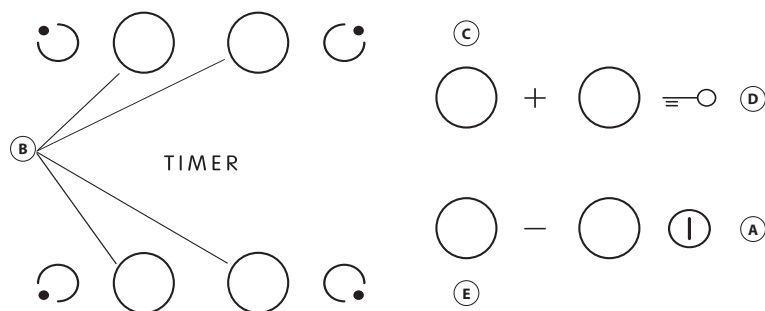
SKENIRAJTE QR KÔD NA SVOM UREĐAJU DA BISTE DOBILI VIŠE INFORMACIJA



OPIS PROIZVODA



KONTROLNA TABLA



- A** Uključeno/isključeno
- B** Izbor zone za kuvanje i tajmera
- C-E** Povećavanje i smanjivanje temperature
- D** Zaključavanje dugmad

PRVA UPOTREBA

Nakon prve montaže, kontrolna tabla vrši funkcionalni test u trajanju od oko 1 sekunde, nakon čega se automatski prebacuje na funkciju "Zaključavanje dugmad".

Da biste deaktivirali ovu funkciju, pritisnite i držite dugme "D"; oglašiće se zvučni signal i isključiće se odgovarajuća LED lampica.

NAPOMENA: Ako dođe do resetovanja, ponovite gore opisan postupak.

SVAKODNEVNA UPOTREBA



UKLJUČIVANJE/ISKLJUČIVANJE PLOČE ZA KUVANJE

Da biste uključili ploču za kuvanje, držite dugme "A" pritisnuto približno 2 sekunde. Za sve 4 zone za kuvanje prikazano je "0". Ako se u roku od 20 sekundi ne aktivira nijedna zona za kuvanje, ploča za kuvanje se automatski isključuje kao bezbednosna mera opreza.

UKLJUČIVANJE I PODEŠAVANJE ZONA ZA KUVANJE

Pritisnite ono dugme "B" koje odgovara zoni za kuvanje koju želite da koristite. Izaberite željenu postavku temperature pomoću dugmadi "E" ili "C". Druge postavke kuvanja koje mogu da se izaberu idu od 1 do 9. Istovremeno pritisnite dugmad "+/-" da biste otkazali sve postavke.

VAŽNO: kontrola se isključuje 10 sekundi nakon odabira postavke temperature. Da biste promenili postavku temperature, prvo ponovo pritisnite dugme za izbor "B", a zatim nastavite sa promenom postavki pomoću dugmadi "E" ili "C".

TIMER

Da biste podesili funkciju Tajmer, izaberite željenu zonu za kuvanje i postavku snage, zatim ponovo pritisnite taster zone za kuvanje i svetla tačka će se pojaviti na displeju zone za kuvanje kontrolisane tajmerom. Indikator "00" treperi na 2 displeja. Pritisnite dugme "C" ili "E" da biste podesili vreme od 1 do 99.

VAŽNO: nakon 10 sekundi na displeju tajmera će biti prikazane postavke snage za druge zone za kuvanje.

Da biste videli preostalo vreme kuvanja, pritisnite taster zone za kuvanje kontrolisane tajmerom dva puta.

FUNKCIJA A

Ova funkcija omogućava automatsko smanjivanje nivoa snage zone za kuvanje od najviše vrednosti (nivo 9) do nivoa koji je izabrao korisnik za kasniju fazu kuvanja.

Da biste aktivirali ovu funkciju, prvo pritisnite dugme "+" kada se postigne nivo 9. Na displeju se prikazuje "A" i "9" naizmenično treperi na niskom nivou osvetljenosti.

Tada izaberite željeni nivo snage (niži od 9) pomoću dugmeta “-”. “A” i izabrani nivo naizmenično trepere na niskom nivou osvetljenosti na displeju. Funkcija je aktivirana kada “A” i izabrani nivo naizmenično trepere na visokom nivou osvetljenosti na displeju. Kada se “A” više ne vidi na displeju (funkcija “A” se isključuje automatski nakon nekoliko minuta u zavisnosti od podešenog nivoa snage), proces kuvanja se nastavlja na nižem nivou snage i na displeju se prikazuje samo izabrani nivo snage.

NAPOMENA: ova funkcija nije moguća na nivou 9.

☰ ○ ZAKLJUČAVANJE DUGMAD

Funkcija Zaključavanja dugmeta uključuje se kada držite pritisnuto dugme “D” dok se ne uključi tačka iznad dugmeta funkcije. Kontrolna tabla je zaključana, osim za funkciju isključivanja. Ova funkcija ostaje uključena čak i kada se ploča za kuvanje isključi, a zatim ponovo uključi, i može se deaktivirati ponovnim pritiskom na dugme “D” dok se tačka iznad dugmeta funkcije ne isključi. Kada je ploča isključena i kada je zaključavanje dugmeta aktivirano, da biste uključili ploču, prvo deaktivirajte funkciju zaključavanja dugmeta tako što ćete ponovo pritisnuti dugme “D” dok se tačka iznad dugmeta funkcije ne isključi.

Prisustvo vode, tečnosti prosute iz šerpi ili drugih predmeta koji se nalaze na bilo kojoj komandi može slučajno da aktivira ili deaktivira zaključavanje dugmeta.

H INDIKATOR TEMPERATURE

Kada se zona za kuvanje isključi, indikator temperature “H” ostaje uključen ili treperi smenjajući se sa oznakom “0” dok se temperatura ploče za kuvanje ne vrati na bezbedan nivo.

VAŽNO: Bezbednosne karakteristike ploče za kuvanje uključuju funkciju automatskog isključivanja. Dugotrajna primena iste postavke temperature

aktivira automatsko isključivanje zone za kuvanje (na primer, nakon približno 1 sat primene maksimalne postavke temperature, zona za kuvanje se isključuje).

VAŽNO: Da izbegnete stalno oštećenje ploče za kuvanje:

- nemojte koristiti šerpe sa dnom koje nije ravno;
- nemojte koristiti metalne lonce sa emajliranim dnom;
- nemojte stavljati vrele šerpe/tiganje preko kontrolne table.

Ploča takođe sadrži funkciju “automatskog isključivanja” koja isključuje zonu za kuvanje ako se ne izvrši izmena nivoa snage nakon određenog perioda u zavisnosti od samog podešavanja nivoa snage. U tabeli je navedeno trajanje svakog nivoa snage.

NIVO SNAGE	VREME AUTOMATSKOG ISKLJUČIVANJA
0	30 sekundi
1	10 sati
2	5 sati
3	5 sati
4	4 sata
5	3 sata
6	2 sata
7	2 sata
8	2 sata
9	1 sat

TABELA ZA KUVANJE

NIVO SNAGE		VRSTA KUVANJA	NIVO KORIŠĆENJA (ukazuje na iskustvo i navike u kuvanju)
Maksimalna snaga	9	Ključanje	Idealno za brzo povećavanje temperature hrane do brzog ključanja u slučaju vode ili brzo zagrevanje tečnosti za kuvanje.
	9 – 8	Prženje	Idealno za rumljenje, početak kuvanja, prženje zamrznutih proizvoda, brzo ključanje.
Velika snaga	8 – 7	Rumenjenje – održavanje ključanja – grilovanje	Idealno za rumljenje, održavanje ključanje, kuvanje i grilovanje (kratko trajanje, 5 do 10 minuta).
	7 – 6	Prženje – kuvanje – grilovanje	Idealno za održavanje krčkanja, kuvanje i grilovanje (srednje trajanje, 10 do 20 minuta), predzagrevanje i prženje.
Srednja snaga	6 – 5	Nežno prženje	Idealno za prženje jaja i omleta.
	5 – 4	Kuvanje – krčkanje – dinstanje	Idealno za dugotrajno kuvanje (pirinač, sosovi, meso, riba) sa tečnostima (npr. voda, vino, supa, mleko), kremasta pasta.
	4 – 3	Zgušnjavanje – kremasta pasta	
Mala snaga	2 – 1	Održavanje toplote hrane – kremasti rižoto	Idealno za održavanje tek pripremljene hrane toplom (npr. sosovi, supe, minestrome), kremasti rižoto i održavanje toplote jela koja se serviraju.
Minimalna snaga	1	Odmrzavanje	Idealno za odmrzavanje malih proizvoda i nežno topljenje čokolade ili putera.
Nema napajanja	0	—	Ploča u režimu mirovanja ili isključena (moguća rezidualna toplota nakon kuvanja označena slovom “H”).

ČIŠĆENJE I ODRŽAVANJE

⚠ Isključite uređaj sa električne mreže.

- Nemojte koristiti uređaje za čišćenje parom.
- Nemojte koristiti abrazivne sundere ili strugače, jer bi mogli da oštete staklo.
- Nakon svake upotrebe, očistite ploču za kuvanje (kada je hladna) da biste uklonili naslage i fleke od ostatka hrane.
- Šećer ili hrana sa velikom količinom šećera mogu da oštete ploču za kuvanje i moraju se odmah ukloniti.
- So, šećer i pesak mogu da izgremu staklenu površinu.
- Koristite mekanu krpu, upijajući ubrus ili posebno sredstvo za čišćenje ploče za kuvanje (pratite uputstva proizvođača).
- Prosipanja tečnosti u zonama za kuvanje mogu da izazovu pomeranje ili vibriranje šerpi.
- Dobro osušite ploču za kuvanje nakon čišćenja.

OTKLANJANJE PROBLEMA

Ukoliko ploča za kuvanje ne radi kako bi trebalo, pogledajte vodič za rešavanje problema pre nego što pozovete službu za korisnike.

- Pročitajte i pridržavajte se uputstava datih u odeljku "Svakodnevna upotreba".
- Proverite da li je prekinuto električno napajanje.
- Dobro osušite ploču za kuvanje nakon čišćenja.
- Ukoliko je zona za kuvanje odabrana, a na displeju se pojavi "F" ili "ER" praćeno brojem, obratite se postprodajnom servisu i obavestite ih.
- Ako je kôd greške "F03", "ER03" ili "E02", pokušajte da je otklonite prema ovim uputstvima:
 - Ako se prikaže greška "E02", pazite da ne pritisnete dugmad duže od 5 sekundi, da nema predmeta u oblasti HMI interfejsa i da je interfejs čist i suv. Prilikom čišćenja sledite uputstva iz odeljka Čišćenje i održavanje.
 - Ako se prikaže greška "F03", pokušajte da isključite i ponovo uključite ploču za kuvanje.
 - Ako se prikaže greška "F04", obratite se postprodajnom servisu i obavestite ih o prikazanom kôdu greške.

- Ukoliko ploča za kuvanje ne radi nakon intenzivne upotrebe, unutrašnja temperatura same ploče je previsoka. Sačekajte par minuta dok se ploča za kuvanje ne ohladi.
- Ako je grejač neprekidno uključen, ali se ciklično isključuje i uključuje čak i kada se nivo snage na displeju ne menja, to je deo normalnog funkcionisanja ploče. Ciklus uključivanja/isključivanja omogućava regulaciju snage grejača i sasvim je normalno. U nekim slučajevima, toplotna zaštita može da isključi grejač u određenom periodu da bi se izbeglo oštećenje stakla. Primeri takvih slučajeva su: dugo kuvanje na visokom nivou snage, upotreba šerpi koje su manje od grejnog elementa i korišćenje šerpi čije dno nije ravno.
- Ako ploča emituje kratak zvuk a da korisnik nije pritisnuo nijedno dugme, uklonite svu tečnost koja je prosuta na HMI interfejs. Osušite HMI interfejs i nastavite da koristite ploču. Ako je ploča isključena automatski, do toga je možda došlo usled prisustva tečnosti na HMI interfejsu. Osušite HMI interfejs i ponovo uključite ploču.

Ukoliko i posle navedenih provera kvar još uvek postoji, obratite se najbližem postprodajnom servisu.

POSTPRODAJNI SERVIS

U cilju dobijanja sveobuhvatne pomoći i podrške, registrujte proizvod na www.indesit.com/register.

PRE NEGO ŠTO POZOVETE POSTPRODAJNI SERVIS:

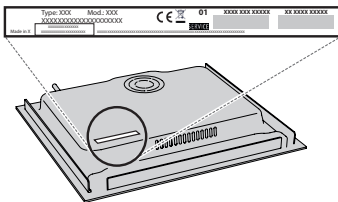
1. Proverite da li možete da rešite problem sami uz pomoć saveta datih u odeljku **OTKLANJANJE PROBLEMA**.
2. Uključite pa isključite uređaj i proverite da li je kvar i dalje prisutan.

UKOLIKO I NAKON GORENAVEDENIH PROVERA KVAR I DALJE POSTOJI, OBRATITE SE NAJBLIŽEM POSTPRODAJNOM SERVISU.

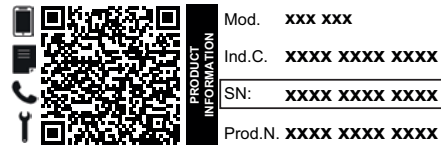
Za dobijanje podrške, pozovite broj prikazan na garantnoj knjižici, ili sledite instrukcije na veb stranici www.indesit.com.

Prilikom kontaktiranja našeg postprodajnog servisa za kupce potrebno je da navedete:

- kratak opis kvara;
- tip i tačan model uređaja;



- serijski broj (broj iza reči SN na pločici sa podacima koja se nalazi ispod uređaja). Serijski broj je takođe naveden u dokumentaciji;



- svoju punu adresu;
- svoj broj telefona.

Ukoliko su potrebne bilo kakve popravke, obratite se ovlašćenom postprodajnom servisu (kako biste bili sigurni da će se koristiti originalni rezervni delovi i da će popravke biti izvedene na pravi način).

Smernice, standardna dokumentacija i dodatne informacije o proizvodu se mogu naći:

- Pomoću QR koda na uređaju;
- Na našem veb-sajtu docs.indesit.eu;
- Takođe, možete **kontaktirati naš postprodajni servis** (broj se nalazi u garantnoj knjižici). Prilikom kontaktiranja našeg postprodajnog servisa, navedite šifru koja se nalazi na pločici za identifikaciju proizvoda.



INSTRUCȚIUNI PRIVIND SIGURANȚA

IMPORTANT: TREBUIE CITITE ȘI RESPECTATE

Descărcați manualul cu instrucțiuni complet de pe site-ul <http://docs.indesit.eu> sau sunați la numărul indicat pe certificatul de garanție.

Înainte de a utiliza aparatul, citiți aceste instrucțiuni privind siguranța. Păstrați-le la îndemână pentru a le putea consulta și pe viitor.

Aceste instrucțiuni și aparatul în sine furnizează avertismente importante privind siguranța, care trebuie respectate întotdeauna. Producătorul nu își asumă nicio răspundere pentru nerespectarea acestor instrucțiuni de siguranță, pentru utilizarea necorespunzătoare a aparatului sau pentru setarea incorectă a butoanelor de comandă.

⚠ **AVERTISMENT:** Dacă suprafața plitei este crăpată, nu folosiți aparatul - risc de electrocutare.

⚠ **AVERTISMENT:** Pericol de incendiu: nu depozitați articole pe suprafețele de gătit.

⚠ **ATENȚIE:** Procesul de preparare trebuie să fie supravegheat. Un proces de preparare care durează puțin trebuie să fie supravegheat în permanență.

⚠ **AVERTISMENT:** Prepararea la plită cu grăsime sau ulei poate fi periculoasă - risc de incendiu. Nu încercați NICIODATĂ să stingeți un incendiu folosind apă: opriți aparatul și apoi acoperiți flacăra, de exemplu, cu un capac sau cu o pătură ignifugă.

⚠ Nu utilizați plita ca suprafață de lucru sau suport. Nu amplasați articole vestimentare sau alte materiale inflamabile lângă aparat până când nu s-au răcit complet toate componentele acestuia - pericol de incendiu.

⚠ Nu lăsați aparatul la îndemâna copiilor foarte mici (0-3 ani). Nu lăsați aparatul la îndemâna copiilor mici (3-8 ani) decât dacă sunt supravegheați în permanență. Copiii cu vârsta de peste 8 ani și persoanele cu capacități fizice, senzoriale sau mintale reduse sau fără experiență și cunoștințe pot folosi acest aparat doar dacă sunt supravegheate sau au fost instruite cu privire la utilizarea în siguranță și înțeleg riscurile implicate. Copiii nu trebuie să se joace cu aparatul. Curățarea și întreținerea nu trebuie să fie efectuate de către copii fără a fi supravegheați.

⚠ **AVERTISMENT:** Aparatul și părțile sale accesibile se înfierbântă în timpul utilizării. Trebuie evitată atingerea elementelor fierbinți. Copiii cu vârste mai mici de 8 ani nu trebuie lăsați să se apropie de aparat, cu excepția cazurilor în care sunt supravegheați în permanență.

UTILIZAREA PERMISĂ

⚠ **ATENȚIE:** aparatul nu trebuie să fie pus în funcțiune prin intermediul unui comutator extern, precum un temporizator, sau al unui sistem de comandă la distanță separat.

⚠ Acest aparat este proiectat pentru a fi utilizat în locuințe, precum și în alte spații, cum ar fi: bucătării destinate personalului din magazine, birouri și alte spații de lucru; ferme; de către clienții din hoteluri, moteluri, unități de cazare de tip "bed and breakfast" și alte spații rezidențiale.

⚠ Nu este permisă nicio altă utilizare (de ex., încălzirea încăperilor).

⚠ Acest aparat nu este destinat utilizării în scop profesional. Nu utilizați aparatul afară.

INSTALARE

⚠ Manevrarea și instalarea aparatului trebuie să fie efectuate de două sau mai multe persoane - risc de rănire. Folosiți mănuși de protecție la despachetare și instalare - risc de tăiere.

⚠ Instalarea, inclusiv racordarea la rețeaua de alimentare cu apă (dacă este necesară) și la rețeaua de alimentare cu energie electrică, precum și reparațiile trebuie efectuate de un tehnician calificat. Nu reparați și nu înlocuiți nicio componentă a aparatului, cu excepția cazului în care acest lucru este indicat în mod expres în manualul de utilizare. Nu lăsați copiii în apropierea zonei de instalare. După despachetarea aparatului, asigurați-vă că acesta nu a fost deteriorat în timpul transportului. Dacă apar probleme, contactați distribuitorul sau cel mai apropiat serviciu de asistență tehnică post-vânzare. Odată instalat aparatul, deșeurile de ambalaje (bucăți de plastic, polistiren etc.) nu trebuie lăsate la îndemâna copiilor - risc de asfixiere. Înainte de orice operație de instalare, aparatul trebuie să fie deconectat de la rețeaua de alimentare cu energie electrică - risc de electrocutare. În timpul instalării, aveți grijă ca aparatul să nu deterioreze cablul de alimentare - risc de incendiu sau de electrocutare. Activați aparatul numai atunci când instalarea a fost finalizată.

⚠ Efectuați toate operațiile de tăiere a dulapului înainte de montarea aparatului și îndepărtați toate așchiile de lemn și rumegușul.

⚠ În cazul în care aparatul nu este montat deasupra unui cuptor, trebuie să fie instalat un panou despărțitor (neinclus în dotarea aparatului) în compartimentul de sub acesta.

AVERTISMENTE PRIVIND ALIMENTAREA CU ENERGIE ELECTRICĂ

⚠ Aparatul trebuie să poată fi deconectat de la rețeaua electrică fie prin scoaterea ștecherului din priză (dacă ștecherul este accesibil), fie prin intermediul unui întrerupător multipolar situat în amonte de priză, în conformitate cu normele privind cablurile electrice, și trebuie să fie împământat în conformitate cu standardele naționale privind siguranța electrică.

⚠ Nu utilizați prelungitoare, prize multiple sau adaptoare. După finalizarea instalării, componentele electrice nu trebuie să mai fie accesibile pentru utilizator. Nu utilizați aparatul dacă aveți părți ale corpului umede sau când sunteți desculți. Nu puneți în funcțiune acest aparat dacă are cablul de alimentare sau ștecherul deteriorat, dacă nu funcționează corespunzător sau dacă a fost deteriorat sau a căzut pe jos.

⚠ Instalarea folosind o fișă de cablu de alimentare nu este permisă, cu excepția cazului în care produsul este deja dotat cu una furnizată de producător.

⚠ În cazul în care cablul de alimentare este deteriorat, acesta trebuie să fie înlocuit cu unul identic de către producător, agentul său de service sau alte persoane calificate, pentru a evita orice pericol sau risc de electrocutare.

CURĂȚAREA ȘI ÎNTREȚINEREA

⚠ AVERTISMENT: Asigurați-vă că aparatul este oprit și deconectat de la sursa de alimentare înainte de a efectua orice operație de întreținere; nu folosiți niciodată aparate de curățare cu aburi - risc de electrocutare.

⚠ Nu utilizați produse abrazive sau corozive, produse pe bază de clor sau bureți de sârmă pentru vase.

ELIMINAREA AMBALAJULUI


Ambalajul este reciclabil în proporție de 100% și este marcat cu simbolul reciclării .

Prin urmare, diferitele părți ale ambalajului nu trebuie aruncate la întâmplare, ci trebuie eliminate în conformitate cu normele stabilite de autoritățile locale.

ELIMINAREA APARATELOR ELECTROCASNICE

Acest aparat este fabricat cu materiale reciclabile sau reutilizabile. Eliminați-l în conformitate cu normele locale referitoare la eliminarea deșeurilor. Pentru informații suplimentare referitoare la tratarea, valorificarea și reciclarea aparatelor electrocasnice, contactați autoritățile locale competente, serviciul de colectare a deșeurilor menajere sau magazinul de unde ați achiziționat aparatul. Acest aparat este marcat în conformitate cu Directiva europeană 2012/19/UE privind deșeurile de echipamente electrice și electronice (DEEE) și cu reglementările din 2013 privind deșeurile de echipamente electrice și electronice (astfel cum au fost modificate).

Asigurându-vă că acest produs este eliminat în mod corect, contribuiți la prevenirea consecințelor negative asupra mediului înconjurător și sănătății persoanelor.

Simbolul  de pe produs sau de pe documentele care îl însoțesc indică faptul că acest aparat nu trebuie eliminat ca deșeu menajer, ci trebuie predat la un centru de colectare corespunzător, pentru reciclarea echipamentelor electrice și electronice.

RECOMANDĂRI PRIVIND ECONOMISIREA ENERGIEI

Profitați din plin de căldura reziduală a plăcii fierbinți prin oprirea aparatului cu câteva minute înainte de a termina prepararea.

Baza oalei sau a cratiței trebuie să acopere placa fierbinte în întregime; un recipient care este mai mic decât placa fierbinte va duce la irosirea energiei.

Acoperiți oalele și cratițele cu capace etanșe în timpul preparării și folosiți cât mai puțină apă. Prepararea fără capac va crește foarte mult consumul de energie.

Utilizați numai oale și cratițe cu baza plată.

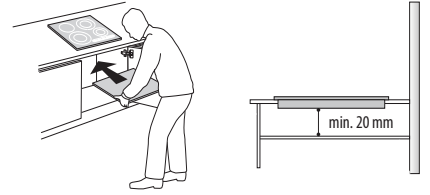
DECLARAȚIE DE CONFORMITATE

Acest aparat îndeplinește Cerințele de proiectare ecologică prevăzute de Regulamentul european nr. 66/2014, precum și Regulamentele din 2019 (leșire UE) (Amendamentul) privind informațiile energetice și proiectarea ecologică aplicabilă produselor cu impact energetic, în conformitate cu Standardul european EN 60350-2.



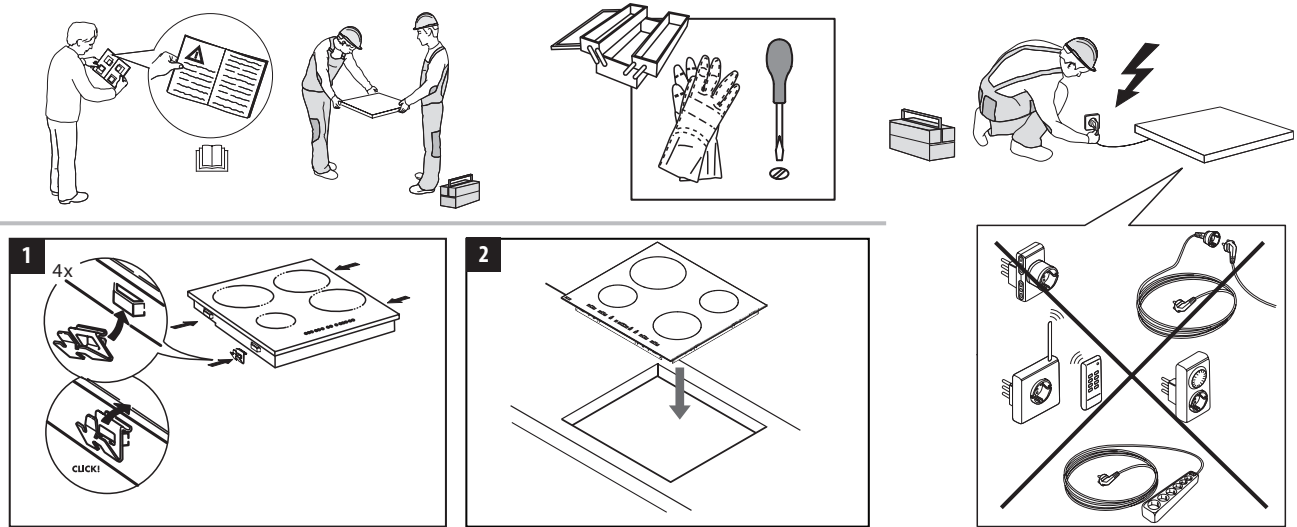
INSTALARE

- Plita trebuie montată pe blatul de lucru la o adâncime de cel puțin 20 mm.
- Nu trebuie să existe nimic între plită și cuptor (sine transversale, console etc.).
- Asigurați-vă că cablul de alimentare este suficient de lung pentru a permite instalarea în mod convenabil.
- Distanța dintre suprafața inferioară a plitei vitroceramice și dulap sau panoul separator trebuie să fie de cel puțin 20 mm.
- Pentru dimensiunile de încorporare și instalare, consultați imaginea din acest paragraf.
- Trebuie menținută o distanță minimă între plită și hota de deasupra acesteia. Vă rugăm să consultați manualul de utilizare a hotei pentru informații suplimentare.
- Montați garnitura furnizată pentru plită (cu excepția cazului în care a fost deja montată), după ce ați curățat suprafața acesteia.
- **Nu instalați plita în apropierea unei mașini de spălat vase sau a unei mașini de spălat rufe, pentru ca circuitele electronice să nu vină în contact cu vaporii sau umiditatea și să se deterioreze.**
- Dacă este instalat un cuptor sub plită, asigurați-vă că acesta este dotat cu un sistem de răcire. Dacă temperatura circuitelor electronice depășește valoarea maximă permisă, plita se va opri automat; în acest caz, așteptați timp de câteva minute până când temperatura interioară a circuitelor electronice atinge un nivel tolerabil, moment în care va fi posibilă repornirea plitei.

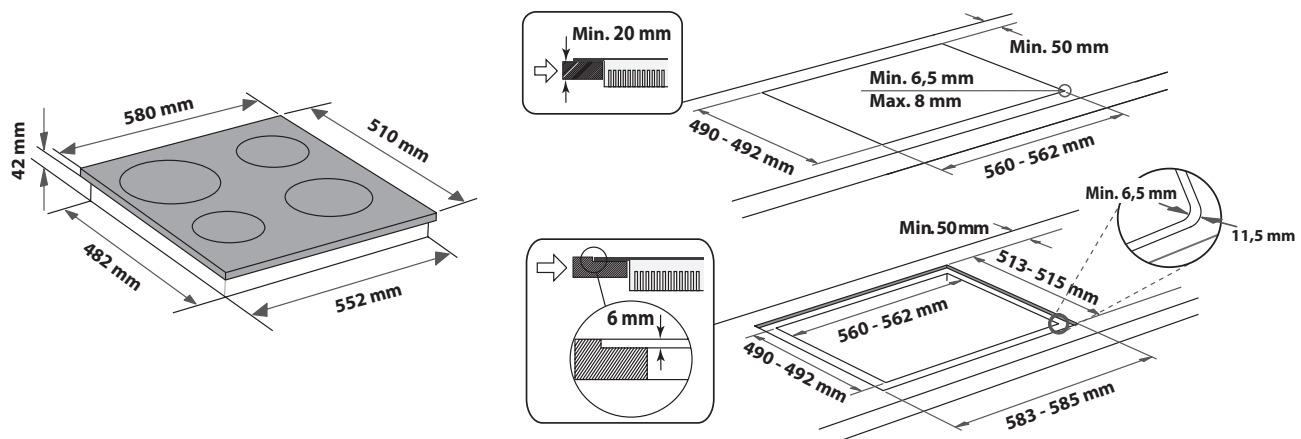
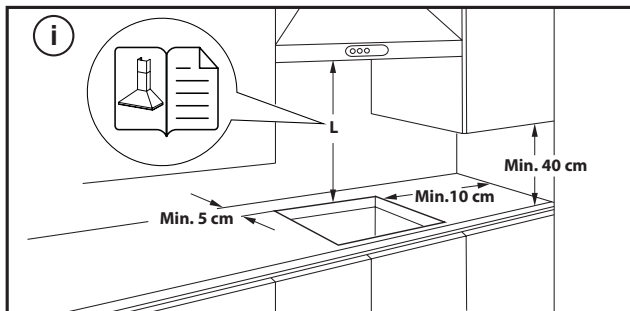


AMPLASAREA PLITEI

După efectuarea conexiunii la rețeaua de alimentare cu energie electrică (consultați capitolul "Conectarea la rețeaua de alimentare cu energie electrică"), poziționați fiecare clemă de fixare în canalele aferente din părțile laterale ale plitei, după cum este indicat în imagine. Apoi, împingeți plita în interiorul porțiunii decupate și asigurați-vă că sticla este plană și paralelă cu blatul de lucru. Clemele de fixare sunt proiectate pentru fiecare tip de material al blaturilor de lucru (lemn, marmură etc.).



DIMENSIUNI ȘI DISTANȚE DE RESPECTAT



DEMONTAREA PLITEI:

Pentru a demonta plita, mai întâi deconectați-o de la rețeaua de alimentare cu energie electrică. Se recomandă cu insistență să desprindeți partea de dedesubt de cuptor, sertar, separator sau altele. Acest lucru îi permite tehnicianului să acceseze partea inferioară a plitei pentru a desprinde cele patru cleme cu o șurubelniță, să ridice plita și să o demonteze, evitând deteriorarea blatului de lucru.

CONECTAREA LA REȚEAUA DE ALIMENTARE CU ENERGIE ELECTRICĂ

Conexiunea electrică trebuie efectuată înainte de a conecta aparatul la alimentarea cu electricitate.




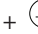
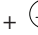
Cablul de alimentare nu este inclus în pachet - nu uitați să furnizați propriul cablu de alimentare.

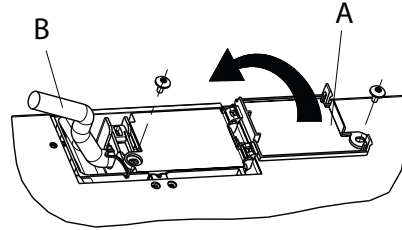
Instalarea trebuie efectuată de personal calificat care cunoaște reglementările în vigoare referitoare la instalare și siguranță. În special, instalația trebuie efectuată în conformitate cu normele companiei locale de furnizare a energiei electrice.

Asigurați-vă că tensiunea indicată pe plăcuța cu date tehnice, situată la baza aparatului, corespunde cu tensiunea din locuința unde va fi instalat aparatul. Împământarea aparatului este obligatorie prin lege: utilizați numai conductori (inclusiv conductorul pentru împământare) de dimensiuni corespunzătoare.

CONECTAREA LA BLOCUL DE CONEXIUNI


Pentru conexiunea electrică, folosiți un cablu de tip H05RR-F sau H05V2V2-F, așa cum se indică în tabelul de mai jos.

TENSIUNE DE ALIMENTARE	CONDUCTORI NUMĂR X DIMENSIUNE
220-240V ~ + 	3 x 4 mm ²
230-240V ~ + 	3 x 4 mm ² (numai Australia)
220-240V 3~ + 	4 x 1,5 mm ²
380-415V 3N~ + 	5 x 1,5 mm ²
380-425V 2N~ + 	4 x 1,5 mm ²



Aparatul trebuie conectat la sursa de alimentare cu energie prin intermediul unui întrerupător multipolar cu o distanță de minim 3 mm între contacte.

ATENȚIE: cablul de alimentare trebuie să fie suficient de lung pentru a permite scoaterea plitei din blatul de lucru și trebuie poziționat astfel încât să se evite deteriorarea sau supraîncălzirea cauzată de contactul cu baza aparatului.

NOTĂ: firul galben/verde de împământare trebuie conectat la borna marcată cu simbolul  și trebuie să fie mai lung decât celelalte fire.

- Îndepărtați aproximativ 70 mm din învelișul cablului de alimentare (**B**).
- Înlăturați aproximativ 10 mm din învelișul firelor. Apoi, introduceți cablul de alimentare în clema de cablu și conectați firele la blocul de conexiuni, așa cum se indică în diagrama de conexiuni amplasată lângă blocul de conexiuni.
- Fixați cablul de alimentare (**B**) cu ajutorul clemei de cablu.
- Închideți blocul de conexiuni folosind capacul (**A**) și fixați-l cu șurubul din dotare.
- După ce ați executat conexiunea electrică, montați plita din partea de sus și fixați-o de arcurile de susținere, așa cum se indică în figură.



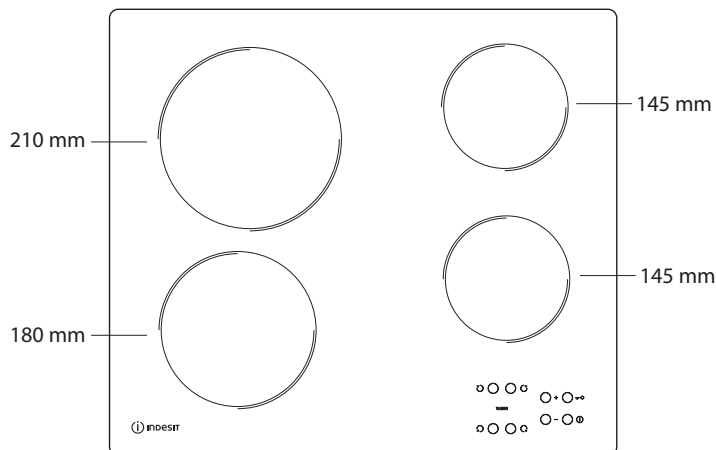
VĂ MULȚUMIM CĂ AȚI ACHIZIȚIONAT UN PRODUS WHIRLPOOL
Pentru a beneficia de servicii complete de asistență, vă rugăm să vă înregistrați produsul pe www.indesit.com/register.

**SCANAȚI CODUL QR DE PE
APARATUL DUMNEAVOASTRĂ
PENTRU A OBȚINE MAI MULTE
INFORMAȚII**

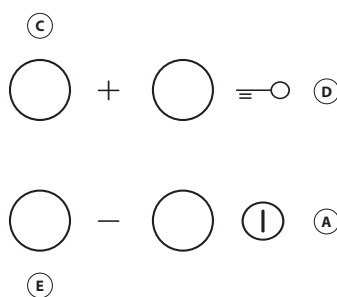
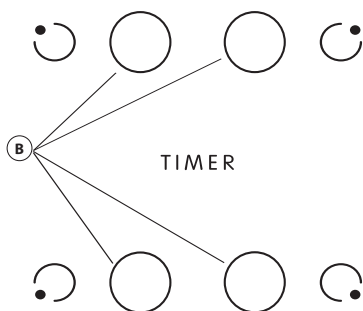


Înainte de a utiliza aparatul, citiți cu atenție instrucțiunile privind siguranța.

DESCRIEREA PRODUSULUI



PANOUL DE COMANDĂ



- A** Pornit/Oprit
- B** Selectarea zonei de gătit și a timerului
- C-E** Mărirea și reducerea nivelului de putere
- D** Blocarea a tastelor

PRIMA UTILIZARE

La prima instalare, panoul de comandă efectuează o verificare funcțională de circa 1 secundă, apoi comută automat la funcția "Blocarea a tastelor". Pentru a dezactiva funcția, apăsați și țineți apăsat butonul "D"; se va auzi un

semnal acustic și led-ul corespunzător se va stinge.

NOTĂ: În cazul resetării aparatului, repetați procedura descrisă mai sus.

UTILIZAREA ZILNICĂ



ACTIVAREA/DEZACTIVAREA PLITEI

Pentru a porni plita, țineți apăsat butonul "A" timp de aprox. 2 secunde. Cele 4 afișaje ale zonelor de gătit indică "0". Dacă nu se activează nicio zonă de gătit în decursul a 20 de secunde, plita se oprește automat din motive de siguranță.

ACTIVAREA ȘI REGLAREA ZONELOR DE GĂTIT

Apăsați pe unul dintre butoanele "B" care corespunde zonei de gătit pe care doriți să o folosiți. Selectați nivelul de putere dorit cu ajutorul butoanelor "E" sau "C". Nivelurile de putere care pot selectate se încadrează între 1 și 9. Apăsați simultan pe butoanele "+/-" pentru a anula toate setările.

IMPORTANT: butonul se dezactivează la 10 secunde după ce s-a selectat nivelul de putere dorit.

Pentru a modifica nivelul de putere, mai întâi apăsați din nou pe butonul de selectare "B" apoi puteți să modificați setarea cu ajutorul butoanelor "E" sau "C".

TIMER

Pentru a seta funcția Timer, selectați zona de gătit dorită și nivelul de putere, apoi apăsați din nou pe butonul corespunzător zonei de gătit; pe afișaj ul zonei de gătit controlate de timer se aprinde un indicator. Indicația "00" clipește pe cele 2 afișaje. Apăsați pe butoanele "E" sau "C" pentru a seta timpul de la 1 la 99.

IMPORTANT: după 10 secunde, pe afișajele timerului apare nivelul de putere al celorlalte zone de gătit.

Pentru a vedea timpul de gătit rămas, apăsați de două ori pe butonul corespunzător zonei controlate de timer.

FUNCȚIA A

Această funcție permite reducerea automată a nivelului de putere a zonei de gătit de la cea mai mare valoare (nivelul 9) la una selectată de utilizator pentru o etapă de preparare ulterioară.

Pentru a activa această funcție, apăsați mai întâi butonul "+" atunci când este atins nivelul 9.

Pe afișaj apare litera "A", iar cifra "9" clipește alternativ cu luminozitate redusă. În acest moment, alegeți nivelul de putere dorit (sub 9) folosind butonul "-".

Litera "A" și nivelul selectat clipește alternativ cu luminozitate redusă pe afișaj. Funcția este activată odată ce litera "A" și nivelul selectat clipește alternativ cu luminozitate ridicată pe afișaj.

Odată ce litera "A" nu mai este vizibilă pe afișaj (funcția "A" se dezactivează automat după câteva minute, în funcție de nivelul de putere setat), procesul de preparare continuă cu un nivel de putere redus, iar pe afișaj apare doar nivelul de putere selectat.

N.B.: această funcție nu poate fi rulată la nivelul 9.

BLOCARE A TASTELOR

Funcția Blocare a tastelor se activează ținând apăsat butonul "D" până când deasupra butonului asociat funcției se aprinde un indicator. Panoul de comandă este blocat, cu excepția funcției de oprire. Funcția rămâne activată chiar și după oprirea și repornirea plitei și poate fi dezactivată apăsând din nou pe butonul "D" până când indicatorul de deasupra butonului asociat funcției se stinge.

Atunci când plita este oprită, iar funcția de blocare a tastelor este activată pentru a se putea porni plita, mai întâi dezactivați funcția de blocare a tastelor apăsând din nou butonul "D" până când punctul de deasupra butonului de funcție se stinge.

Prezența apei, scurgerile de lichide din vasele de gătit sau obiectele așezate pe comenzi pot activa sau dezactiva în mod accidental funcția de blocare a tastelor.

INDICATORUL DE CĂLDURĂ REZIDUALĂ

După oprirea zonei de gătit, indicatorul de căldură reziduală "H" rămâne aprins sau clipește alternând cu "0", până când temperatura plitei revine la nivelul de siguranță.

IMPORTANT: Caracteristicile de siguranță ale plitei includ o funcție de oprire automată. Folosirea îndelungată a aceluiași nivel de putere determină dezactivarea automată a zonei de gătit (de exemplu, după circa 1 oră la nivelul de putere maxim, zona de gătit se dezactivează).

IMPORTANT: Pentru a evita deteriorarea permanentă a plitei:

- nu utilizați vase a căror parte inferioară nu este plată;
- nu utilizați vase metalice cu partea inferioară emailată;
- nu așezați oale/crațițe fierbinți pe panoul de comandă.

De asemenea, plita este dotată cu funcția de "oprire automată" care oprește zona de gătit în cazul în care nu se fac modificări asupra nivelului de putere după o anumită perioadă de timp, în funcție de setarea puterii. În tabel, sunt indicate duratele de timp pentru fiecare nivel de putere.

NIVEL DE PUTERE	DURATĂ OPRIRE AUTOMATĂ
0	30 de secunde
1	10 ore
2	5 ore
3	5 ore
4	4 ore
5	3 ore
6	2 ore
7	2 ore
8	2 ore
9	1 oră

TABELUL DE GĂTIRE

NIVEL DE PUTERE		TIP DE PREPARARE	UTILIZAREA NIVELULUI (indică experiența și obiceiurile dumneavoastră culinare)
Putere maximă	9	Fierbere	Ideal pentru creșterea rapidă a temperaturii alimentelor în scopul fierberii rapide a apei sau pentru încălzirea rapidă a lichidelor pentru gătit.
	9 – 8	Prăjire	Ideal pentru rumenire, începerea preparării alimentelor, prăjirea produselor congelate, fierbere rapidă.
Putere ridicată	8 – 7	Rumenire – menținere punct de fierbere – frigere la grătar	Ideal pentru rumenire, menținerea unui punct de fierbere la temperatură ridicată, prepararea alimentelor și frigere la grătar (durată scurtă, 5-10 minute).
	7 – 6	Prăjire – preparare – frigere la grill	Ideal pentru menținerea unui punct de fierbere la temperatură scăzută, prepararea alimentelor și frigere la grătar (durată medie, 10-20 de minute), preîncălzire și prăjire.
Putere medie	6 – 5	Prăjire delicată	Ideal pentru prăjirea ouălor, omeletelor.
	5 – 4	Preparare – fierbere la foc mic – fierbere înăbușită	Ideal pentru o perioadă de preparare mai îndelungată (orez, sosuri, fripturi, pește) cu lichide (de exemplu, apă, vin, bulion, lapte), obținerea unei texturi cremoase a pastelor.
	4 – 3	Îngroșare – obținerea unei texturi cremoase a pastelor	
Putere scăzută	2 – 1	Menținerea alimentelor calde – obținerea unei texturi cremoase a rizotoului	Ideal pentru menținerea la cald a alimentelor preparate recent (de exemplu, sosuri, supe, minestrone), obținerea unei texturi cremoase a rizotoului și menținerea la cald a farfuriilor.
Putere minimă	1	Decongelare	Ideal pentru a decongela produse de mici dimensiuni și pentru a topi delicat ciocolata sau untul.
Putere zero	0	—	Plită în modul Standby sau Oprit (este posibil să existe căldură reziduală la finalizarea etapei de preparare, semnalată prin afișarea literei "H").

CURĂȚAREA ȘI ÎNTREȚINEREA

Deconectați aparatul de la rețeaua electrică.

- Nu utilizați aparate de curățat cu aburi.
- Nu utilizați bureți abrazivi sau din sârmă deoarece aceștia pot deteriora suprafața din sticlă.
- După fiecare utilizare, curățați plita (după ce s-a răcit) pentru a elimina depunerile și petele cauzate de resturile de mâncare.

- Zahărul și alimentele cu un conținut ridicat de zaharuri deteriorează plita și trebuie să fie îndepărtate imediat.
- Sarea, zahărul și nisipul pot zgăria suprafața de sticlă.
- Folosiți o lavetă moale, hârtie absorbantă pentru bucătărie sau produse speciale pentru curățarea plitei (respectați instrucțiunile producătorului).
- Pătrunderea lichidului în zonele de gătit poate provoca deplasarea sau vibrarea vaselor de gătit.
- Uscați temeinic plita după ce o curățați.

REMEDIEREA DEFECȚIUNILOR

Dacă plita nu funcționează corect, înainte de a apela la Serviciul de asistență tehnică, consultați Ghidul de remediere a defecțiunilor pentru a stabili care este problema.

- Citiți și respectați instrucțiunile din secțiunea "Utilizarea zilnică".
- Controlați să nu fie întreruptă alimentarea cu electricitate.
- Uscați bine plita după curățarea acesteia.
- Dacă a fost selectată o zonă de gătit și "F" sau "ER" apare pe afișaj urmat de un număr, contactați serviciul de asistență tehnică post-vânzare și oferiți informații în acest sens.
- În cazul în care codul de eroare este "F03", "ER03" sau "E02", încercați să-l remediați urmând aceste instrucțiuni:
 - Dacă apare eroarea "E02", vă rugăm să vă asigurați că nu ați apăsat butoanele mai mult de 5 secunde, că nu se află niciun obiect în zona HMI și că aceasta este curată și uscată - atunci când curățați, vă rugăm să respectați paragraful Curățarea și întreținerea.
 - Dacă apare eroarea "F03", încercați să opriți și să reporniți plita.
 - Dacă apare eroarea "F04", contactați serviciul de asistență tehnică post-vânzare și comunicați-le codul afișat.

- Dacă suprafața de gătit nu funcționează după o utilizare intensivă, temperatura internă a suprafeței de lucru este prea ridicată. Așteptați câteva minute până când suprafața de gătit se răcește.
- Dacă încălzitorul nu este menținut pornit în continuu, ci este pornit și oprit în mod ciclic deși nivelul de putere de pe afișaj nu se schimbă, aceasta face parte din funcționarea normală a plitei. Ciclul de pornire/oprire permite reglarea puterii încălzitorului, lucru care este absolut normal. În anumite cazuri, protecția termică poate opri încălzitorul o perioadă de timp pentru a preveni deteriorarea sticlei. Exemple de astfel de cazuri sunt: prepararea unui aliment pentru un timp îndelungat la un nivel de putere ridicat, utilizarea unor vase de gătit mai mici decât rezistența și a unor vaselor de gătit a căror bază nu este plată.
- Dacă plita emite un sunet scurt fără ca clientul să fi apăsat vreun buton, vă rugăm să îndepărtați scurgerile de lichide de pe HMI. Uscați HMI și continuați să folosiți plita. Dacă plita a fost oprită automat, acest lucru poate fi cauzat de prezența unui lichid pe HMI. Uscați HMI și reporniți plita.

Dacă problema persistă și după verificările de mai sus, luați legătura cu cel mai apropiat Serviciu de asistență tehnică.

SERVICIUL DE ASISTENȚĂ TEHNICĂ POST-VÂNZARE

Pentru a beneficia de servicii complete de asistență, vă rugăm să vă înregistrați produsul pe www.indesit.com/register.

ÎNAINTEDE A CONTACTA SERVICIUL DE ASISTENȚĂ TEHNICĂ POSTVÂNZARE:

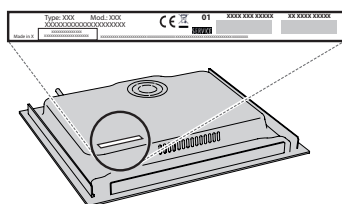
1. Încercați să rezolvați singuri problema, cu ajutorul recomandărilor din **GHIDUL DE REMEDIERE A DEFECȚIUNILOR**.
2. Opriți și puneți din nou în funcțiune aparatul pentru a verifica dacă defecțiunea persistă.

DACĂ PROBLEMA PERSISTĂ CHIAR ȘI DUPĂ CONTROALELE MENȚIONATE, CONTACTAȚI CEL MAI APROPIAT SERVICIU DE ASISTENȚĂ TEHNICĂ POST-VÂNZARE.

Pentru asistență, sunați la numărul de telefon specificat pe certificatul de garanție sau urmați instrucțiunile de pe site-ul web www.indesit.com.

Atunci când contactați serviciul de asistență tehnică post-vânzare, specificați întotdeauna:

- o scurtă descriere a defecțiunii;
- tipul și modelul exact al aparatului;



- numărul de serie (numărul de după cuvântul SN de pe plăcuța cu date tehnice, amplasată sub aparat). De asemenea, numărul de serie este indicat în documentație;



- adresa dumneavoastră completă;
- numărul dumneavoastră de telefon

Dacă sunt necesare orice fel de reparații, vă rugăm să contactați un serviciu de asistență tehnică post-vânzare autorizat (pentru a avea garanția că se folosesc piese de schimb originale și că reparațiile vor fi executate corect).

Politicele, documentația standard și informații suplimentare despre produs pot fi găsite:

- Utilizând codul QR de pe aparat;
- Vizitând site-ul nostru web docs.indesit.eu;
- Ca alternativă, **contactați serviciul nostru de asistență tehnică post-vânzare** (Consultați numărul de telefon din certificatul de garanție). Când contactați serviciul nostru de asistență tehnică post-vânzare, vă rugăm să precizați codurile specificate pe plăcuța cu date de identificare a produsului dumneavoastră.



ИНСТРУКЦИИ ЗА БЕЗОПАСНОСТ

ВАЖНО Е ДА ГИ ПРОЧЕТЕТЕ И ДА ГИ СПАЗВАТЕ

Изтеглете пълното ръководство с инструкции от [http:// docs.indesit.eu](http://docs.indesit.eu) или се обадете на номера, посочен на книжката за гаранцията.

Преди използването на уреда прочетете внимателно тези указания за безопасност. Дръжте ги на удобно място за бъдещи справки.

В тези указания и на самия уред са представени важни предупреждения за безопасността, които трябва да се прочетат и да се съблюдават винаги. Производителят отказва всякаква отговорност при неспазване на тези указания за безопасността, във връзка с неподходяща употреба на уреда или неправилна настройка на органите за управление.

⚠ **ПРЕДУПРЕЖДЕНИЕ:** Ако повърхността на плочата за готвене е напукана, не използвайте уреда - опасност от електрически удар.

⚠ **ПРЕДУПРЕЖДЕНИЕ:** Опасност от пожар: не поставяйте предмети по готварските повърхности.

⚠ **ВНИМАНИЕ:** Процесът на готвене трябва да се наблюдава. Краткотрайните процеси на готвене трябва да се наблюдават постоянно.

⚠ **ПРЕДУПРЕЖДЕНИЕ:** Готвенето на плочата на храни с мазнина или олио без наблюдение може да се окаже опасно и да доведе до пожар. НИКОГА не опитвайте да потушите пламъците с вода: вместо това изключете уреда и покрийте пламъка с капак или огнеупорно одеяло.

⚠ Не използвайте плочата като работен плот или поставка. Пазете дрехите и други запалими материали далеч от уреда, докато всички негови компоненти изстинат напълно - опасност от пожар.

⚠ Много малки деца (0-3 год.) трябва да стоят далеч от уреда. Малки деца (3-8 год.) трябва да стоят далеч от уреда, освен ако не са под постоянно наблюдение. Този уред може да се използва от деца на 8 години и по-големи, както и от лица с ограничени физически, сетивни или умствени възможности или с недостатъчен опит и познания само ако са под надзор или са им дадени инструкции за употребата на уреда по безопасен начин и разбират възможните опасности. Децата не трябва да си играят с уреда. Почистването и поддръжката от потребителя не трябва да се извършва от деца без надзор.

⚠ **ПРЕДУПРЕЖДЕНИЕ:** Уредът и откритите му части се нагорещават по време на работа. Внимавайте да не докосвате нагревателните елементи. Децата под 8-годишна възраст трябва да се пазят далеч от уреда, ако не се наблюдават непрекъснато.

ПОЗВОЛЕНА УПОТРЕБА

⚠ **ВНИМАНИЕ:** уредът не е предназначен за управление с външен таймер или отделна система с дистанционно управление.

⚠ Този уред е предназначен за употреба в домашни условия и подобни приложения, като: кухни за служители

в магазини, офиси и други работни среди; в стопанства; от клиенти в хотели, мотели и други места за настаняване.

⚠ Не е позволено използване за никакви други цели (например за отопление на помещения).

⚠ Този уред не е предназначен за професионална употреба. Не използвайте този уред на открито.

МОНТИРАНЕ

⚠ Боравенето и монтажът на уреда трябва да се извършват от две или повече лица - съществува опасност от нараняване. Използвайте предпазни ръкавици за разопаковането и монтажа на уреда - съществува опасност от порязвания.

⚠ Монтирането, включително подаването на вода (ако е приложимо) и електрическото свързване и ремонтните дейности трябва да се извършват от квалифициран техник. Не поправяйте и не заменяйте части от уреда, ако това не е изрично посочено в ръководството за потребителя. Пазете децата далеч от мястото, където се извършва монтажът. След като разопаковате уреда, проверете дали не е повреден по време на транспортирането. В случай на проблеми се обърнете към търговеца, от който сте закупили уреда, или към най-близкия сервиз за следпродажбено обслужване. След монтажа всички отпадъци от опаковките (пластмаса, стиропор и др.) трябва да се съхраняват далеч от обсега на деца - съществува опасност от задушаване. Уредът трябва да бъде изключен от захранването преди монтажа - опасност от електрически удар. По време на монтажа внимавайте уредът да не повреди захранващия кабел - опасност от електрически удар. Активирайте уреда едва след завършване на монтажа.

⚠ Извършете всички работи по изрязването на шкафа, преди да поставите фурната в нишата, и след това отстранете всички дървени отломки и стърготини.

⚠ Ако уредът не е монтиран над фурна, трябва да се постави разделителен панел (не е включен) в нишата под уреда.

ПРЕДУПРЕЖДЕНИЯ ОТНОСНО ЕЛЕКТРОЗАХРАНВАНЕТО

⚠ Трябва да е възможно уредът да се изключи от захранването чрез изваждане на щепсела, ако е достъпен, или чрез достъпен многополюсен превключвател, монтиран след контакта, както и уредът да е заземен в съответствие с националните стандарти за електрическа безопасност.

⚠ Не използвайте удължители, разклонители с няколко гнезда или адаптери. След инсталирането електрическите компоненти трябва да бъдат достъпни за потребителя. Не използвайте уреда, когато сте с мокри или боси крака. Не използвайте този уред, ако захранващият му кабел или щепсел е повреден, ако не работи правилно или ако е бил повреден или е паднал.

⚠ Инсталирането с използване на захранващ кабел с щепсел не се разрешава, освен ако уредът оригинално не е вече оборудван с такъв от производителя.


⚠ Ако захранващият кабел е повреден, той трябва да се смени от производителя, негов сервизен агент или лице с аналогична квалификация, за да се избегне опасна ситуация, например електрически удар.

ПОЧИСТВАНЕ И ПОДДРЪЖКА

⚠ ПРЕДУПРЕЖДЕНИЕ: Преди извършване на каквато и да било дейност по поддръжката на уреда, се уверете, че той е изключен и не е свързан към захранването; никога не използвайте уреди за почистване с пара - опасност от електрически удар.

⚠ Не използвайте абразивни или корозивни препарати, препарати на хлорна основа или стоманена вълна.

ИЗХВЪРЛЯНЕ НА ОПАКОВЪЧНИТЕ МАТЕРИАЛИ


Опаковъчният материал е 100% годен за рециклиране и е маркиран със символа за рециклиране .

Различните опаковъчни материали трябва да бъдат изхвърлени отговорно и в съответствие с наредбите на местните органи за изхвърляне на отпадъци.

ИЗХВЪРЛЯНЕ НА ЕЛЕКТРОУРЕДИ

Този уред е произведен с материали, годни за рециклиране или за повторно използване. При изхвърлянето му спазвайте местните разпоредби за изхвърляне на отпадъци. За допълнително информация относно третирането, оползотворяването и рециклирането на домакински електроуреди се обърнете към компетентните местни органи, службата за битови отпадъци или магазина, откъдето сте закупили уреда. Този уред е маркиран в съответствие с Европейска директива 2012/19/ЕС, Отпадъчно електрическо и електронно оборудване (WEEE) и с правилата за отпадъчно електрическо и електронно оборудване от 2013 г. (с измененията).

Като се погрижите продуктът да бъде изхвърлен по правилен начин, Вие ще помогнете за предотвратяване на възможните негативни последици за околната среда и здравето на хората.

Символът  върху уреда или придружаващата го документация показва, че този уред не трябва да се третира като битов отпадък, а да бъде предаден в съответния събирателен пункт, предназначен за рециклиране на електрическа и електронна апаратура.

СЪВЕТИ ЗА ИКОНОМИЯ НА ЕНЕРГИЯ

Възползвайте се максимално от остатъчната топлина на котлона, като я изключите няколко минути, преди да сте завършили готвенето.

Основата на Вашата тенджерка или тиган трябва изцяло да покрива котлона; използването на съд, чиято площ е по-малка от тази на котлона, ще доведе до загуба на енергия.

По време на готвене покривайте тенджерите и тиганите с подходящи капаци и използвайте възможно най-малко вода. Готвенето без капак ще увеличи значително потреблението на енергия.

Използвайте само тенджери и тигани с плоско дъно.

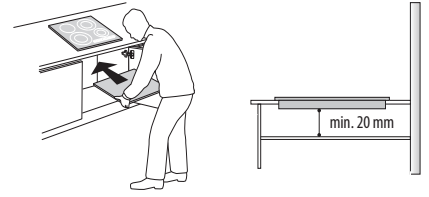
ДЕКЛАРАЦИЯ ЗА СЪОТВЕТСТВИЕ

Този уред отговаря на изискванията за екодизайн на Европейски регламент 66/2014 и Регламенти за екодизайн за енергийни продукти и енергийна информация (изменение) (ЕС изход) 2019, в съответствие с Европейски стандарт EN 60350-2.



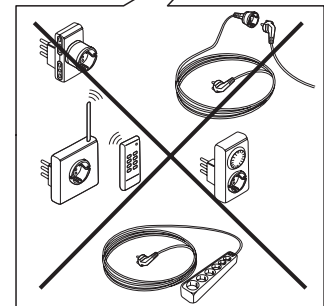
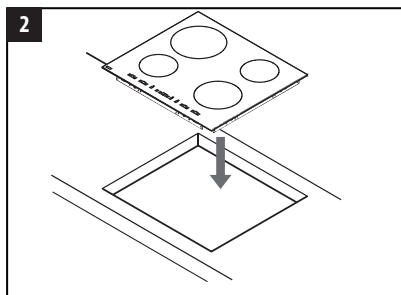
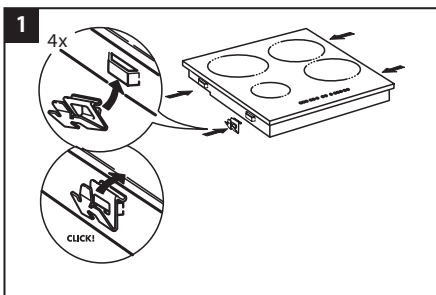
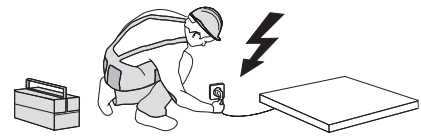
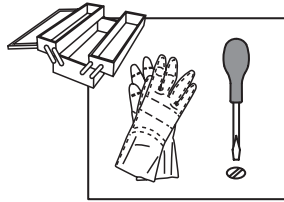
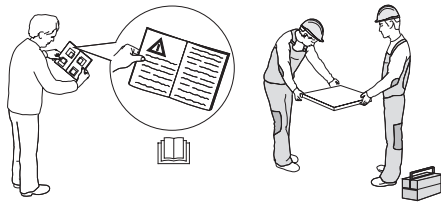
МОНТИРАНЕ

- Плотът за готвене трябва да бъде поставен в работен плот с дебелина най-малко 20 мм.
- В пространството между плота и кухнята не трябва да има нищо (напречни релси, носачи и др.).
- Уверете се, че захранващият кабел е достатъчно дълъг, за да позволи удобно инсталиране.
- Разстоянието между долната повърхност на стъклокерамичния плот и шкафа или разделящата плоскост трябва да бъде поне 20 мм.
- За размерите и монтажа на уреда за вграждане вижте изображението в този раздел.
- Между готварския плот и аспиратора над него трябва да се поддържа минимално разстояние. За допълнителна информация вижте ръководството за потребителя на аспиратора.
- След като сте почистили повърхността на плота, поставете доставения в комплекта уплътнител (освен ако той вече не е бил поставен).
- **Не монтирайте плот за готвене над съдомиялна или перална машина така, че електронните вериги да не влизат в контакт с пара или влага, които могат да ги повредят.**
- Ако фурна бъде монтирана под готварски плот, се уверете, че тя разполага със система за охлаждане. Ако температурата на електронните вериги превиши максимално допустимата температура, готварският плот ще се изключи автоматично; в този случай изчакайте няколко минути, докато вътрешната температура на електронните вериги достигне нормално ниво, като в този момент ще бъде възможно отново да включите плота.

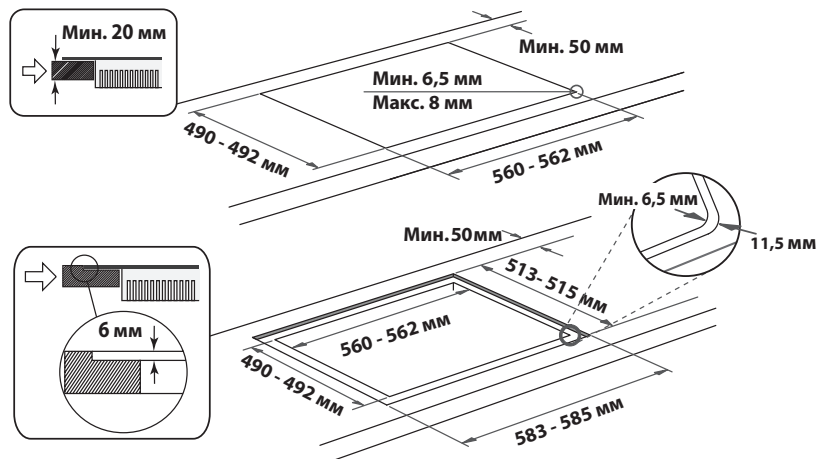
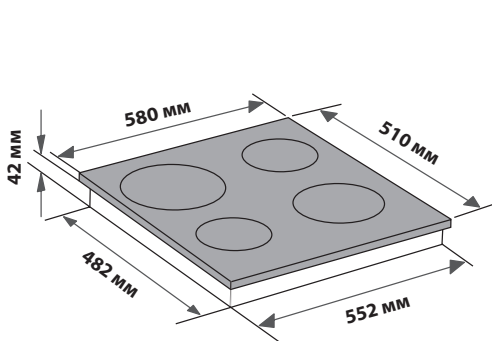
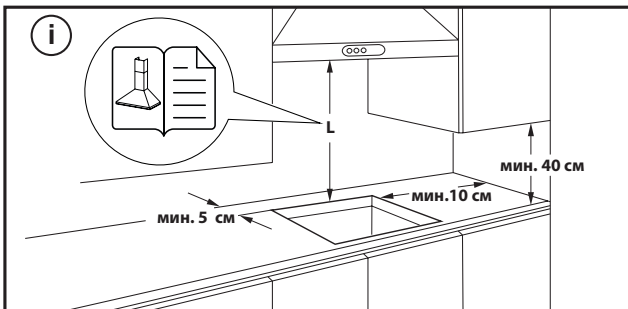


ПОСТАВЯНЕ НА ПЛОТА

След извършване на електрическите връзки (вижте глава "Свързване към електрическата мрежа"), поставете всяка от захващащите скоби на съответните места отстрани на плота, както е показано на изображението. След това вкарайте плота на мястото му и се уверете, че стъклото е плоско и успоредно спрямо кухненския плот. Захващащите скоби са подходящи за всеки вид материал за кухненски плотове (дърво, мрамор и др.).



РАЗМЕРИ И РАЗСТОЯНИЯ, КОИТО ДА СЕ ПОДДЪРЖАТ



СВАЛЯНЕ НА КОТЛОНА (ПЛОТА):

За да свалите котлона, първо го изключете от електрическото захранване. Настоятелно се препоръчва да освободите долната част от фурната, чекмеджето, сепаратора или други части. Тя позволява на техника достъп до долната част на котлона, за да разкопчае четирите скоби с отвертка, да повдигне котлона и да го свали, без да го повреди.

СВЪРЗВАНЕ КЪМ ЕЛЕКТРИЧЕСКАТА МРЕЖА

Електрическите свързвания трябва да се извършат преди свързването на уреда към електрическата мрежа.

Захранващият кабел не е включен в пакета - не забравяйте да подготвите свой собствен захранващ кабел.

Монтирането трябва да се извърши от квалифициран персонал, запознат с текущите нормативни разпоредби относно безопасността и монтирането.

Особено важно е монтажът да се извърши в съответствие с наредбите на местната електроснабдителна компания.

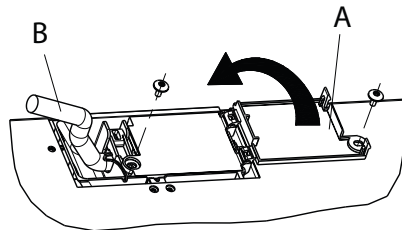
Уверете се, че напрежението, указано на табелката с номиналните данни, намираща се в долната част на уреда, е същото като това в дома Ви.

Заземяването на уреда е задължително по закон: използвайте проводници (включително заземяващия проводник) само с подходящ размер.

СВЪРЗВАНЕ КЪМ КЛЕМНИЯ БЛОК

За свързване към електрическата мрежа използвайте кабел тип H05RR-F или H05V2V2-F, както е посочено в таблицата по-долу.

ЗАХРАНВАЩО НАПРЕЖЕНИЕ	ПРОВОДНИЦИ БРОЙ x РАЗМЕР
220-240V ~+ 	3 x 4 мм ²
230-240V ~+ 	3 x 4 мм ² (само за Австралия)
220-240V 3~+ 	4 x 1,5 мм ²
380-415V 3N~+ 	5 x 1,5 мм ²
380-425V 2N~+ 	4 x 1,5 мм ²



Свържете уреда към електрозахранването посредством прекъсвач за всички полюси с минимална междина на контактите 3 mm.

ВНИМАНИЕ: захранващият кабел трябва да бъде достатъчно дълъг, за да може готварският плот да се извади от кухненския плот, и трябва да се постави така, че да се избегне повреждането или нагряването му при влизане в контакт с основата.

ЗАБЕЛЕЖКА: жълтият/зеленият заземяващ проводник трябва да бъде свързан към клемата със символ  и трябва да бъде по-дълъг от останалите проводници.

- Отстранете около 70 mm от обвивката на захранващия кабел (**B**).
- Отстранете около 10 mm от обвивката от проводниците. Вкарайте захранващия кабел в кабелната скоба и свържете проводниците към клемното табло, както е показано на схемата до самото клемно табло.
- Обезопасете захранващия кабел (**B**) със скобата за кабела.
- Затворете капака на клемното табло (**A**) и го обезопасете с предоставения винт.
- След извършване на електрическите връзки поставете плота за готвене отгоре и го окачете на опорните пружини, както е показано на илюстрацията.

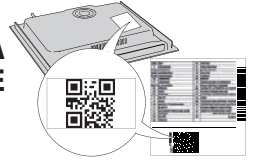


БЛАГОДАРИМ ВИ, ЧЕ ЗАКУПИХТЕ ПРОДУКТ НА WHIRLPOOL
За да получавате по-пълно съдействие, моля, регистрирайте
вашия продукт на www.indesit.com/register.

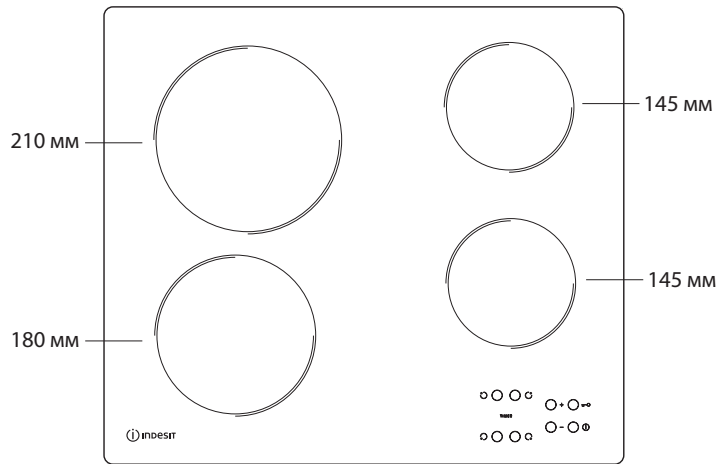


**Преди да използвате уреда, прочетете внимателно
инструкциите за безопасност.**

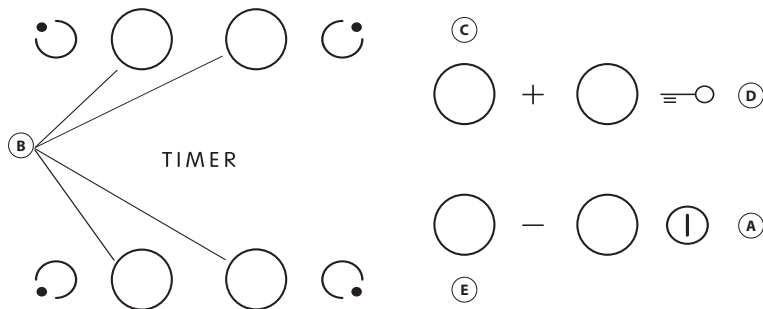
**МОЛЯ, СКАНИРАЙТЕ QR КОДА НА
ВАШИЯ УРЕД, ЗА ДА ПОЛУЧИТЕ
ПОВЕЧЕ ИНФОРМАЦИЯ**



ОПИСАНИЕ НА ИЗДЕЛИЕТО



ПАНЕЛ ЗА УПРАВЛЕНИЕ



- A** Включване/изключване
- B** Избор на зони за готвене и таймер
- C-E** Увеличаване и намаляване нивото на мощността
- D** Заклучване на бутоните

ИЗПОЛЗВАНЕ ЗА ПРЪВ ПЪТ

При монтиране за първи път контролният панел извършва функционален тест за около 1 секунда, след който автоматично се включва функцията "Заклучване на бутоните".

За да деактивирате функцията, натиснете и задръжте бутона "D"; ще прозвучи

звук сигнал и съответната светодиодна лампичка ще се изключи.

ЗАБЕЛЕЖКА: В случай на пренастройване повторете процедурата, описана по-горе.

ВСЕКИДНЕВНА УПОТРЕБА



ВКЛЮЧВАНЕ/ИЗКЛЮЧВАНЕ НА ПЛОЧАТА ЗА ГОТВЕНЕ

За да включите плочата за готвене, задръжте натиснат бутона "A" за около 2 секунди. На дисплеите на 4-те зони за готвене се показва "0". Ако в рамките на 20 секунди не се активира никоя от зоните за готвене, плочата за готвене се изключва автоматично като предпазна мярка.

АКТИВИРАНЕ И РЕГУЛИРАНЕ НА ЗОНИТЕ НА ГОТВЕНЕ

Натиснете един от бутоните "B", съответстващ на зоната за готвене, която възнамерявате да използвате. Изберете необходимата настройка на топлината с бутоните "E" или "C". Другите избираеми настройки за готвене са в диапазона от 1 до 9. Натиснете едновременно бутоните "+/-" за отмяна на всички настройки.

ВАЖНО: контролата се деактивира 10 секунди след избиране на настройката за топлината.

За да промените настройката за топлината, първо натиснете отново бутона за избиране "B", след което продължете с промяната на настройката, като използвате бутоните "E" или "C".

ТАЙМЕР

За да зададете функцията за таймера, изберете необходимата зона за готвене и настройката на мощността, след което натиснете отново бутона на зоната за готвене и на дисплея на контролираната с таймера зона ще се покаже светеща точка. На 2-та дисплея премигва "00". Натиснете бутоните "C" или "E", за да зададете времето от 1 до 99.

ВАЖНО: след 10 секунди на дисплея на таймера ще се покаже настройката на мощността на другите зони за готвене.

За да видите оставащото време на готвене, натиснете двукратно бутона на контролираната с таймера зона за готвене.

ФУНКЦИЯ "А"

Тази функция позволява автоматично намаляване на нивото на мощност на зоната за готвене от най-високата стойност (ниво 9) до избраната от потребителя за по-късен етап на готвене.

За да активирате тази функция, първо натиснете бутона "+", когато достигнете ниво 9.

Дисплеят показва "А" и "9" мига последователно с ниска яркост.

В този момент изберете желаното ниво на мощност (по-малко от 9) с бутона "-".

"А" и избраното ниво мигат последователно с ниска яркост на дисплея.

Функцията се активира, след като "А" и избраното ниво започнат да мигат последователно с висока яркост на дисплея.

След като "А" вече не се вижда на дисплея (функцията "А" се изключва автоматично след няколко минути в зависимост от зададеното ниво на мощност), процесът на готвене продължава с по-ниска мощност и дисплеят показва само избраното ниво на мощност.

ВНИМАНИЕ: тази функция не е възможна при ниво 9.

ЗАКЛЮЧВАНЕ НА БУТОНИТЕ

Функцията Закл. на бутоните се включва чрез натискане и задържане на бутона "D", докато над бутона на функцията светне точка. Панелът за управление е заключен, с изключение на функцията за изключване. Функцията остава включена дори след изключване и повторно включване на плочата за готвене и може да се деактивира, като се натисне отново бутонът "D", докато точката над бутона на функцията изгасне.

Когато плотът е изключен с активирано заключване на бутоните, за да включите плочата, първо деактивирайте функцията за заключване на бутоните, като натиснете отново бутон "D", докато изгасне точката над функционалния бутон.

Наличието на вода, течност, разлята от тенджери или други предмети, които лежат върху органите за управление, може случайно да активира или дезактивира заключването на бутоните.

И ИНДИКАТОР ЗА ОСТАТЪЧНА ТОПЛИН

Когато зоната за готвене се изключи, индикаторът за остатъчна топлина "H" остава включен или премигва, редувайки се с "0", докато температурата на плочата за готвене се върне в рамките на безопасните нива.

ВАЖНО: Характеристиките за безопасност на плочата за готвене включват функция за автоматично изключване. Продължителното използване на същата настройка за топлина задейства автоматично изключване на зоната за готвене (например след около 1 час при максималната настройка на топлината зоната за готвене се изключва).

ВАЖНО: За да избегнете необратими повреди на плота:

- използвайте само съдове с плоски дъна;
- не използвайте метални съдове с емайлирани дъна;
- не поставяйте горещи тенджери или тигани над контролния панел.

Котлонът е оборудван и с функцията "auto shut off" (автоматично изключване), която изключва зоната за готвене, ако не се направи промяна на нивото на мощност след определен период от време в зависимост от самата настройка на мощността. В таблицата е дадено времетраенето за всяко ниво на мощност.

НИВО НА МОЩНОСТ	ВРЕМЕ ЗА АВТОМАТИЧНО ИЗКЛЮЧВАНЕ
0	30 секунди
1	10 часа
2	5 часа
3	5 часа
4	4 часа
5	3 часа
6	2 часа
7	2 часа
8	2 часа
9	1 час

ТАБЛИЦА ЗА ГОТВЕНЕ

НИВО НА МОЩНОСТТА		ВИД ГОТВЕНЕ	НИВО НА ИЗПОЛЗВАНЕ (индикация за подпомагане на опита и навиците при готвене)
Максимална мощност	9	Завиране	Подходящо за бързо увеличаване на температурата на храните за бързо завиране, ако се касае за вода, или бързо загряване на течности за готвене.
	9 – 8	Изсушаване	Идеално за запичане, започване на готвене, пържене на замразени продукти, бързо кипване.
Висока мощност	8 – 7	Запичане – поддържане на варенето - печене	Идеално за запичане, поддържане на високо ниво на варене, готвене и печене (кратковременно, 5-10 минути).
	7 – 6	Пържене – готвене – печене	Идеално за поддържане на ниско ниво на варене, готвене и печене (със средна продължителност, 10-20 минути), предварително загряване и пържене.
Средна мощност	6 – 5	Леко пържене	Идеално за пържене на яйца, омлети.
	5 – 4	Готвене – изсушаване – задушаване	Идеално за продължително готвене (ориз, сосове, печено, риба) с наличие на течности (напр. вода, вино, бульон, мляко), размесване на макаронени изделия.
	4 – 3	Сгъстяване - размесване на макаронени изделия	
Ниска мощност	2 – 1	Поддържане на храната гореща – размесване на ризото	Идеално за поддържане на току-що приготвена храна гореща (например сосове, супи, минестроне), размесване на ризото и поддържане на ястията за поднасяне топли.
Минимална мощност	1	Размразяване	Идеално за размразяване на продукти с малки размери и леко разтопяване на шоколад или краве масло.
Мощност нула	0	–	Готварският плот е в режим на готовност или е изключен (възможно е да е горещ след готвене, за което сигнализира символът "H").

ПОЧИСТВАНЕ И ПОДДРЪЖКА

⚠ Изключете уреда от електрозахранването.

- Не използвайте уреди за почистване с пара.
- Не използвайте абразивни гъби или тел, тъй като може да повредите стъклото.
- След всяко използване почиствайте готварския плот (когато изстине), за да отстраните остатъците и петната, дължащи се на останки от храни.
- Захар или храни с високо съдържание на захар могат да повредят

готварския плот и трябва да се отстраняват незабавно.

- Солта, захарта и пясъкът могат да надраскат стъклената повърхност.
- Използвайте мека кърпа, попиваща кухненска салфетка или специален почистващ препарат за готварски плотове (спазвайте инструкциите на производителя).
- При разливане на течност върху нагревателна зона съдовете може да започнат да се преместват или да вибрират.
- Подсушавайте добре повърхността на плота след почистването ѝ.

ОТСТРАНЯВАНЕ НА НЕИЗПРАВНОСТИ

Ако готварският плот не работи като трябва, преди да повъните на отдела за следпродажбено сервизно обслужване, вижте ръководството за отстраняване на неизправности, за да установите проблема.

- Прочетете и следвайте инструкциите, дадени в раздел "Всекидневна употреба".
- Проверете дали има напрежение в електрическата мрежа.
- Подсушете ли плочата след почистването ѝ.
- Ако е избрана зона за готвене и на дисплея се появи "F" или "ER", последвано от число, се свържете със сервиза за следпродажбено обслужване и ги информирайте.
- Ако кодът за грешка е "F03", "ER03" или "E02", се опитайте да решите проблема, като използвате следните указания:
 - Ако се появи грешка "E02", моля, уверете се, че не сте натискали бутоните за повече от 5 секунди, няма предмет в областта на панела за управление и че той е чист и сух – когато почиствате, моля, следвайте указанията в параграфа за почистване и поддръжка.
 - Ако се появи грешка "F03", се опитайте да изключите и отново да включите котлона.
 - Ако се появи грешка "F04", се свържете със сервиза за следпродажбено обслужване и ги информирайте кой код се е появил на дисплея.

- Ако плочата за готвене не работи след интензивно използване, то вътрешната температура на плочата е твърде висока. Изчакайте няколко минути, докато плочата за готвене се охлади.
- Ако нагревателят не е включен непрекъснато, а се включва и изключва циклично, дори ако на дисплея нивото на мощността не се променя, това е част от нормалното функциониране на плота. Цикълът на включване/изключване позволява регулиране на мощността на нагревателя и е напълно нормален. В някои случаи термичната защита може да изключи нагревателя за известно време, за да се избегне повреждане на стъклото. Примери за такива случаи са: готвене дълго време на висока мощност, като използвате тенджери, по-малки от нагревателния елемент, както и тенджери с неплоско дъно.
- Ако плотът издава кратък звук, без клиентът да натиска бутони, моля, внимавайте за разливане на течност върху панела за управление. Моля, подсушете панела за управление и продължете използването на котлона. Ако плотът е изключен автоматично, това може да се дължи на наличие на течност в панела за управление. Моля, подсушете панела за управление и включете котлона отново.

Ако след извършване на горепосочените проверки неизправността все още продължава, свържете се с най-близкия отдел за следпродажбено обслужване.

СЛЕДПРОДАЖБЕНО ОБСЛУЖВАНЕ

За да получавате по-пълно съдействие, регистрирайте Вашия уред на www.indesit.com/register.

ПРЕДИ ДА СЕ ОБАДИТЕ НА ОТДЕЛА ЗА СЛЕДПРОДАЖБЕНО ОБСЛУЖВАНЕ:

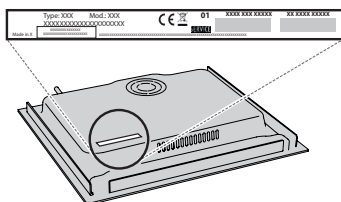
1. Проверете дали можете да отстраните сами проблема с помощта на предложенията, дадени в раздела **ОТСТРАНЯВАНЕ НА НЕИЗПРАВНОСТИ**.
2. Изключете уреда и го включете отново, за да проверите дали неизправността е отстранена.

АКО СЛЕД ИЗВЪРШВАНЕ НА ГОРЕПОСОЧЕНИТЕ ПРОВЕРКИ НЕИЗПРАВНОСТТА ВСЕ ОЩЕ НЕ Е ОТСТРАНЕНА, СВЪРЖЕТЕ СЕ С НАЙ-БЛИЗКИЯ ОТДЕЛ ЗА СЛЕДПРОДАЖБЕНО ОБСЛУЖВАНЕ.

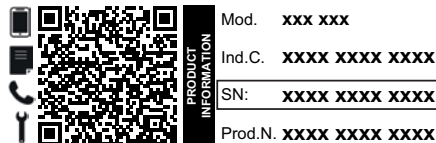
За да получите съдействие, се обадете на номера, написан на книжката за гаранция, или следвайте инструкциите на уебсайта www.indesit.com.

Когато се свържете с отдела за следпродажбено обслужване, винаги посочвайте:

- кратко описание на неизправността;
- точния тип и модел на уреда;



- сериен номер (номерът след думата SN на табелката с номинални данни, разположена под уреда). Сериеният номер е посочен също и в документацията;



- Вашия пълен адрес;
- Вашия телефонен номер.

Ако се налагат някакви поправки, моля, свържете се с оторизиран отдел за следпродажбено обслужване (за да бъдете сигурни, че ще бъдат използвани оригинални резервни части и поправките ще бъдат извършени правилно).

Фирмените политики, стандартната документация и допълнителна информация за уреда можете да намерите, като:

- Използвайте QR кода на вашето устройство;
- Посетите нашия уебсайт docs.indesit.eu;
- Или като се свържете с отдела за следпродажбено обслужване (вижте телефонния номер в гаранционната книжка). При контакт с отдела за следпродажбено обслужване съобщавайте кодовете, посочени на идентификационната табелка на вашия уред.



ΟΔΗΓΙΕΣ ΓΙΑ ΤΗΝ ΑΣΦΑΛΕΙΑ

ΣΗΜΑΝΤΙΚΟ! ΔΙΑΒΑΣΤΕ ΚΑΙ ΤΗΡΕΙΤΕ

Κατεβάστε το πλήρες εγχειρίδιο οδηγιών από την ιστοσελίδα <http://docs.indesit.eu> ή καλέστε τον αριθμό που υπάρχει στο βιβλιαράκι εγγύησης.

Πριν χρησιμοποιήσετε τη συσκευή, διαβάστε αυτές τις οδηγίες για την ασφάλεια. Φυλάξτε τις οδηγίες σε κοντινό σημείο για μελλοντική αναφορά.

Αυτές οι οδηγίες και η συσκευή περιλαμβάνουν σημαντικές προειδοποιήσεις σχετικά με την ασφάλεια, τις οποίες πρέπει να τηρείτε σε κάθε περίπτωση. Ο κατασκευαστής δεν φέρει καμία ευθύνη για τη μη τήρηση αυτών των οδηγιών ασφαλείας, για ακατάλληλη χρήση της συσκευής ή λανθασμένη ρύθμιση των χειριστηρίων.

⚠ ΠΡΟΕΙΔΟΠΟΙΗΣΗ: Αν η επιφάνεια της εστίας είναι ραγισμένη, μην χρησιμοποιείτε τη συσκευή - κίνδυνος ηλεκτροπληξίας.

⚠ ΠΡΟΕΙΔΟΠΟΙΗΣΗ: Κίνδυνος πυρκαγιάς: μην αποθηκεύετε στοιχεία στις επιφάνειες μαγειρέματος.

⚠ ΠΡΟΣΟΧΗ: Η διαδικασία μαγειρέματος πρέπει να παρακολουθείται. Μια σύντομη διαδικασία μαγειρέματος πρέπει να παρακολουθείται συνεχώς.

⚠ ΠΡΟΕΙΔΟΠΟΙΗΣΗ: Είναι επικίνδυνο να μαγειρεύετε με λίπη ή λάδι σε εστία χωρίς επιτήρηση - κίνδυνος πυρκαγιάς. ΠΟΤΕ μην προσπαθείτε να σβήσετε τη φωτιά με νερό: αντίθετα, σβήστε τη συσκευή και στη συνέχεια καλύψτε τις φλόγες π.χ. με ένα καπάκι ή με μια πυρίμαχη κουβέρτα.

⚠ Μην χρησιμοποιείτε τη μονάδα εστιών ως επιφάνεια εργασίας. Διατηρείται τα ρούχα ή άλλα εύφλεκτα υλικά μακριά από τη συσκευή, έως ότου όλα τα εξαρτήματα να έχουν κρυώσει εντελώς - κίνδυνος πυρκαγιάς.

⚠ Κρατήστε τα μικρά παιδιά (0-3 ετών) μακριά από τη συσκευή. Κρατήστε τα μικρά παιδιά (3-8 ετών) μακριά από τη συσκευή εκτός εάν επιτηρούνται διαρκώς. Η συσκευή μπορεί να χρησιμοποιηθεί από παιδιά ηλικίας 8 ετών και άνω ή άτομα με μειωμένες σωματικές, αισθητηριακές ή διανοητικές ικανότητες ή με έλλειψη εμπειρίας και γνώσης της συσκευής, εφόσον βρίσκονται υπό επιτήρηση ή έχουν λάβει οδηγίες σχετικά με την ασφαλή χρήση της συσκευής και κατανοούν τους κινδύνους που συνεπάγεται. Τα παιδιά απαγορεύεται να παίζουν με τη συσκευή. Εργασίες καθαρισμού και συντήρησης του χρήστη δεν πρέπει να εκτελούνται από παιδιά χωρίς επιτήρηση.

⚠ ΠΡΟΕΙΔΟΠΟΙΗΣΗ: Η συσκευή και τα προσβάσιμα εξαρτήματά της μπορεί να ζεσταθούν κατά τη διάρκεια της χρήσης. Πρέπει να είστε προσεκτικοί, ώστε να αποφεύγετε τυχόν επαφή με τις αντιστάσεις. Τα παιδιά κάτω των 8 ετών δεν πρέπει να πλησιάζουν τη συσκευή, εκτός εάν επιτηρούνται διαρκώς.

ΕΠΙΤΡΕΠΟΜΕΝΗ ΧΡΗΣΗ

⚠ ΠΡΟΣΟΧΗ: Η συσκευή δεν προορίζεται για χρήση σε συνδυασμό με εξωτερικό χρονοδιακόπτη ή ξεχωριστό σύστημα απομακρυσμένου ελέγχου.

⚠ Η συσκευή αυτή έχει σχεδιαστεί για οικιακή χρήση καθώς και για παρόμοιες χρήσεις όπως: κουζίνες προσωπικού σε καταστήματα, γραφεία και άλλους χώρους εργασίας, αγροκτήματα, από πελάτες σε ξενοδοχεία, μοτέλ, bed & breakfast και άλλους χώρους κατοικίας.

⚠ Απαγορεύεται οποιαδήποτε άλλη χρήση (π.χ. θέρμανση δωματίων).

⚠ Αυτή η συσκευή δεν προορίζεται για επαγγελματική χρήση. Μην χρησιμοποιείτε τη συσκευή σε εξωτερικό χώρο.

ΕΓΚΑΤΑΣΤΑΣΗ

⚠ Ο χειρισμός και η εγκατάσταση της συσκευής πρέπει να γίνονται από δύο ή περισσότερα άτομα - κίνδυνος τραυματισμού. Χρησιμοποιείτε γάντια προστασίας για να αφαιρέσετε τη συσκευασία και να κάνετε την εγκατάσταση - κίνδυνος κοψίματος.

⚠ Η εγκατάσταση, συμπεριλαμβανομένης της παροχής νερού (εάν υπάρχει), τις ηλεκτρικές συνδέσεις και τις επισκευές, πρέπει να πραγματοποιούνται από τεχνικά εξειδικευμένο προσωπικό. Μην επισκευάζετε και μην αντικαθιστάτε κανένα εξάρτημα της συσκευής, εκτός εάν αναφέρεται ρητά στο εγχειρίδιο χρήσης. Κρατήστε τα παιδιά μακριά από το χώρο εγκατάστασης. Μετά από την αποσυσκευασία της συσκευής, βεβαιωθείτε ότι δεν έχει προκληθεί ζημιά σε αυτήν κατά τη μεταφορά. Εάν παρουσιαστεί κάποιο πρόβλημα, επικοινωνήστε με τον αντιπρόσωπο ή με το πλησιέστερο Κέντρο Τεχνικής Υποστήριξης. Μετά την εγκατάσταση, τα υλικά συσκευασίας (πλαστικά, φελιζόλ, κ.λπ.) πρέπει να φυλάσσονται μακριά από τα παιδιά - κίνδυνος ασφυξίας. Η συσκευή πρέπει να αποσυνδέεται από την ηλεκτρική τροφοδοσία πριν από κάθε εργασία εγκατάστασης - κίνδυνος ηλεκτροπληξίας. Κατά την εγκατάσταση, βεβαιωθείτε ότι δεν έχει προκληθεί ζημιά στο καλώδιο τροφοδοσίας από τη συσκευή - κίνδυνος πυρκαγιάς ή ηλεκτροπληξίας. Ενεργοποιήστε τη συσκευή μόνο εφόσον ολοκληρωθεί η εγκατάσταση.

⚠ Εκτελέστε όλες τις εργασίες κοπής πριν τοποθετήσετε το φούρνο στο έπιπλο και αφαιρέστε όλα τα ροκανίδια και τα πριονίδια.

⚠ Αν η συσκευή δεν εγκατασταθεί πάνω σε ένα φούρνο, πρέπει να τοποθετηθεί ένα διαχωριστικό πάνελ (δεν περιλαμβάνεται) στο χώρο κάτω από τη συσκευή.

ΗΛΕΚΤΡΙΚΕΣ ΠΡΟΕΙΔΟΠΟΙΗΣΕΙΣ

⚠ Πρέπει να είναι δυνατή η αποσύνδεση της συσκευής από την ηλεκτρική τροφοδοσία με αφαίρεση του φικς εάν η πρίζα είναι προσβάσιμη ή με χρήση του πολυπολικού διακόπτη που έχει εγκατασταθεί πριν από την πρίζα σύμφωνα με τα εθνικά πρότυπα ηλεκτρικής ασφαλείας και η συσκευή πρέπει να διαθέτει γείωση με βάση τα εθνικά πρότυπα ασφαλείας.

⚠ Μη χρησιμοποιείτε καλώδια προέκτασης (μπαλαντέζες), πολύπριζα ή προσαρμογείς. Μετά την ολοκλήρωση της εγκατάστασης, δεν πρέπει να είναι δυνατή η πρόσβαση στα ηλεκτρικά εξαρτήματα. Μη χρησιμοποιείτε τη συσκευή όταν είστε βρεγμένος ή με γυμνά πόδια. Μη χρησιμοποιήσετε τη συσκευή εάν έχει φθαρεί το ηλεκτρικό καλώδιο ή το φις, εάν δεν λειτουργεί κανονικά, εάν έχει πέσει ή εάν έχει υποστεί άλλη ζημιά.

⚠ Δεν επιτρέπεται η εγκατάσταση με βύσμα καλωδίου τροφοδοσίας, εκτός εάν το προϊόν είναι ήδη εξοπλισμένο με αυτό που παρέχεται από τον κατασκευαστή.


⚠ Εάν το καλώδιο τροφοδοσίας έχει υποστεί ζημιά, πρέπει να αντικατασταθεί από τον κατασκευαστή, τον αντιπρόσωπο τεχνικής υποστήριξης ή άλλα καταρτισμένα άτομα, ώστε να αποφευχθούν τυχόν κίνδυνοι - κίνδυνος ηλεκτροπληξίας.

ΣΥΝΤΗΡΗΣΗ ΚΑΙ ΚΑΘΑΡΙΣΜΟΣ

⚠ ΠΡΟΕΙΔΟΠΟΙΗΣΗ: Πριν από οποιαδήποτε εργασία συντήρησης, βεβαιωθείτε ότι η συσκευή είναι σβηστή και αποσυνδεδεμένη από το δίκτυο τροφοδοσίας. Ποτέ μην χρησιμοποιείτε συσκευές καθαρισμού με ατμό - κίνδυνος ηλεκτροπληξίας.

⚠ Μη χρησιμοποιείτε αποξεστικά ή διαβρωτικά προϊόντα, καθαριστικά με βάση τη χλωρίνη ή συρμάτινα σφουγγαράκια.


ΑΠΟΡΡΙΨΗ ΥΛΙΚΩΝ ΣΥΣΚΕΥΑΣΙΑΣ

Τα υλικά της συσκευασίας είναι 100% ανακυκλώσιμα και φέρουν το σύμβολο της ανακύκλωσης .

Συνεπώς, τα διάφορα υλικά συσκευασίας πρέπει να απορρίπτονται υπεύθυνα και με πλήρη συμμόρφωση των κανονισμών των τοπικών αρχών που διέπουν την απόρριψη απορριμμάτων.

ΑΠΟΡΡΙΨΗ ΗΛΕΚΤΡΙΚΩΝ ΟΙΚΙΑΚΩΝ ΣΥΣΚΕΥΩΝ

Η συσκευή αυτή έχει κατασκευαστεί από ανακυκλώσιμα ή επαναχρησιμοποιήσιμα υλικά. Απορρίψτε σύμφωνα με τους τοπικούς κανονισμούς περί απόρριψης των απορριμμάτων. Για περαιτέρω πληροφορίες σχετικά με την επεξεργασία, την ανάκτηση και την ανακύκλωση των ηλεκτρικών οικιακών συσκευών, επικοινωνήστε με τις αρμόδιες τοπικές αρχές, την υπηρεσία συλλογής οικιακών αποβλήτων ή το κατάστημα από όπου αγοράσατε αυτό το προϊόν. Αυτή η συσκευή επισμαίεται σύμφωνα με την Ευρωπαϊκή Οδηγία 2012/19/ΕΕ, Απόβλητα Ηλεκτρικού και Ηλεκτρονικού Εξοπλισμού (ΑΗΗΕ) και με τους κανονισμούς 2013 για τα Απόβλητα Ηλεκτρικού και Ηλεκτρονικού Εξοπλισμού (όπως τροποποιήθηκε). Εξασφαλίζοντας τη σωστή απόρριψη αυτού του προϊόντος, θα βοηθήσετε στην αποτροπή των πιθανά βλαβερών συνεπειών για το περιβάλλον και την ανθρώπινη υγεία.

Το σύμβολο  στο προϊόν ή στα συνοδευτικά έντυπα υποδεικνύει ότι πρέπει να αντιμετωπίζεται ως οικιακό απόρριμμα αλλά πρέπει να μεταφέρετε στο κατάλληλο κέντρο συλλογής για ανακύκλωση ηλεκτρονικού και ηλεκτρικού εξοπλισμού.

ΣΥΜΒΟΥΛΕΣ ΓΙΑ ΕΞΟΙΚΟΝΟΜΗΣΗ ΕΝΕΡΓΕΙΑΣ

Αξιοποιήστε στο έπακρο την υπολειπόμενη θερμότητα της ζεστής εστίας σβήνοντάς την μερικά λεπτά πριν ολοκληρωθεί το μαγείρεμα.

Η βάση της κατσαρόλας ή του τηγανιού πρέπει να καλύπτει εντελώς τη ζεστή εστία. Ένα μικρότερο δοχείο από την εστία προκαλεί άσκοπη απώλεια ενέργειας.

Σκεπάζετε τις κατσαρόλες και τα τηγάνια σας κατά το μαγείρεμα με καπάκια σφιχτής εφαρμογής και χρησιμοποιείτε όσο λιγότερο νερό μπορείτε. Το μαγείρεμα χωρίς καπάκι αυξάνει σε μεγάλο βαθμό την κατανάλωση ενέργειας.

Χρησιμοποιείτε μόνο κατσαρόλες και τηγάνια με επίπεδη βάση.

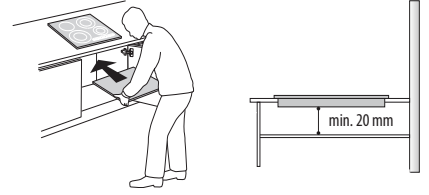
ΔΗΛΩΣΗ ΣΥΜΜΟΡΦΩΣΗΣ

Η συσκευή αυτή πληροί τις απαιτήσεις οικολογικού σχεδιασμού του Ευρωπαϊκού κανονισμού 66/2014 και τον οικολογικό σχεδιασμό για σχετικά με την ενέργεια προϊόντα και ενεργειακές πληροφορίες (Τροποποίηση) (ΕΕ Exit) Κανονισμού 2019, σύμφωνα με το Ευρωπαϊκό πρότυπο EN 60350-2.



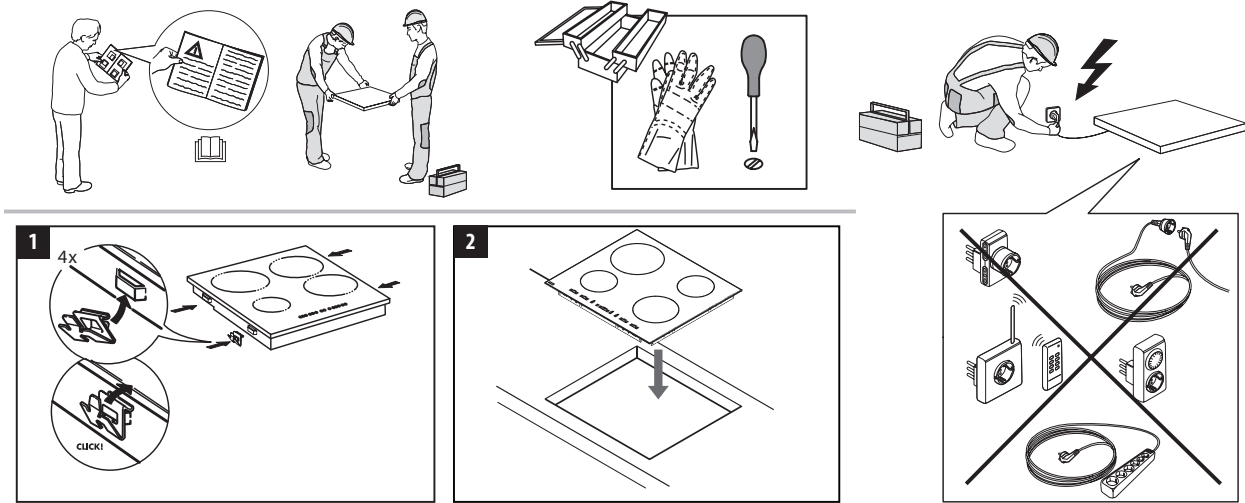
ΕΓΚΑΤΑΣΤΑΣΗ

- Η εστία πρέπει να τοποθετηθεί σε πάγκο βάθους τουλάχιστον 20 mm.
- Δεν πρέπει να υπάρχει τίποτα ανάμεσα στην επιφάνεια ψησίματος και του φούρνου (διασταυρωμένες ράγες, βραχίονες κ.λπ.).
- Βεβαιωθείτε ότι το καλώδιο τροφοδοσίας είναι αρκετά μακρύ για εύκολη εγκατάσταση.
- Η απόσταση μεταξύ της κάτω επιφάνειας της γυάλινης κεραμικής εστίας και του ντουλαπιού ή το διαχωριστικό πάνελ πρέπει να είναι τουλάχιστον 20 mm.
- Για τις διαστάσεις ενσωμάτωσης και την εγκατάσταση, δείτε την εικόνα στην παρούσα παράγραφο.
- Πρέπει να διατηρείται μια ελάχιστη απόσταση μεταξύ της εστίας και του απορροφητήρα που βρίσκεται από πάνω. Ανατρέξτε στο εγχειρίδιο χρήσης του απορροφητήρα για περισσότερες πληροφορίες.
- Εφαρμόστε το παρεχόμενο παρέμβυσμα στην μονάδα εστιών (εκτός εάν έχει ήδη τοποθετηθεί), αφού καθαρίσετε την επιφάνεια.
- **Μην τοποθετείτε την μονάδα εστιών κοντά σε πλυντήριο ή στο πλυντήριο ρούχων, έτσι ώστε τα ηλεκτρονικά κυκλώματα να μην έρχονται σε επαφή με ατμό ή υγρασία, κάτι που θα μπορούσε να προκαλέσει ζημιά σε αυτά.**
- Αν ένας φούρνος είναι εγκατεστημένος κάτω από την μονάδα εστιών, βεβαιωθείτε ότι είναι εξοπλισμένος με σύστημα ψύξης. Εάν η θερμοκρασία των ηλεκτρονικών κυκλωμάτων υπερβαίνει τη μέγιστη επιτρεπόμενη θερμοκρασία, η μονάδα εστιών θα απενεργοποιηθεί αυτόματα. Σε αυτή την περίπτωση, περιμένετε λίγα λεπτά έως ότου η εσωτερική θερμοκρασία των ηλεκτρονικών κυκλωμάτων να φτάσει σε ένα αποδεκτό επίπεδο, στο οποίο θα είναι δυνατό να ανάψετε ξανά τη μονάδα εστιών.

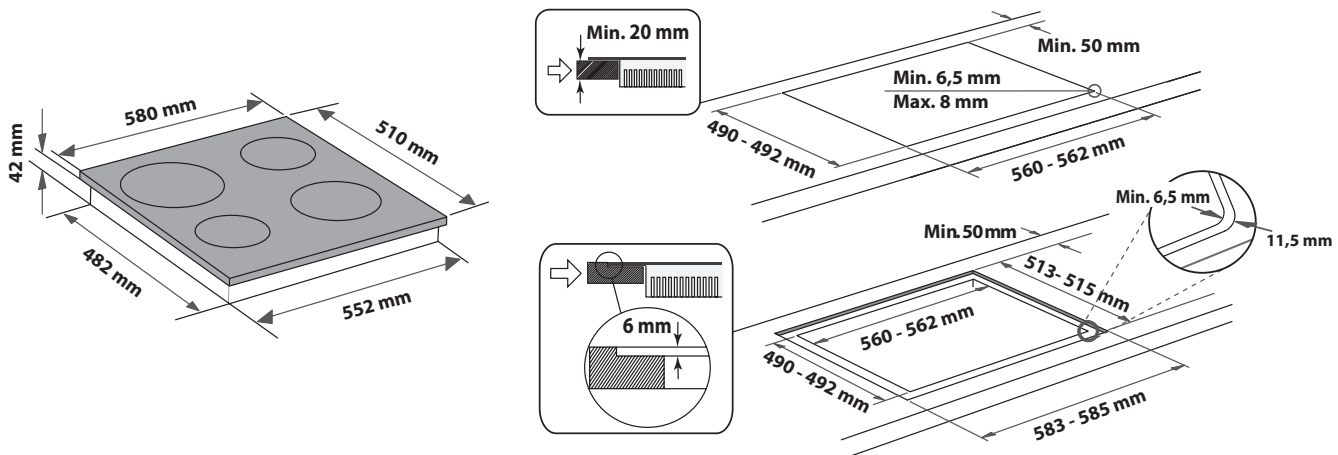
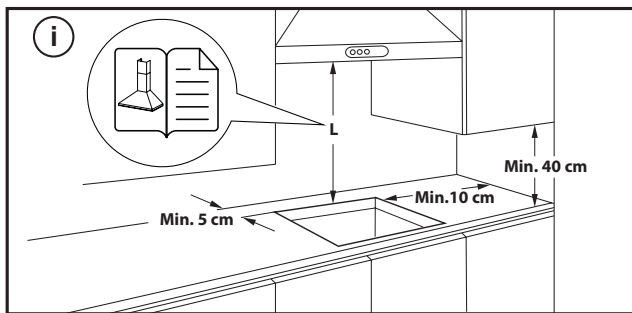


ΤΟΠΟΘΕΤΗΣΗ ΤΗΣ ΜΟΝΑΔΑΣ ΕΣΤΙΩΝ

Μετά την ηλεκτρική σύνδεση (βλ. κεφάλαιο "Ηλεκτρική σύνδεση"), τοποθετήστε κάθε κλιπ στερέωσης στις ειδικές υποδοχές στα πλαίσια της μονάδας εστιών, όπως φαίνεται στην εικόνα. Στη συνέχεια, σπρώξτε τη μονάδα εστιών μέσα στο άνοιγμα και βεβαιωθείτε ότι το γυαλί είναι επίπεδο και παράλληλο με τον πάγκο. Τα κλιπ στερέωσης είναι σχεδιασμένα για κάθε είδους πάγκο (ξύλο, μάρμαρο κ.λπ.).



ΔΙΑΣΤΑΣΕΙΣ ΚΑΙ ΑΠΟΣΤΑΣΕΙΣ ΠΟΥ ΠΡΕΠΕΙ ΝΑ ΤΗΡΟΥΝΤΑΙ



ΑΦΑΙΡΕΣΗ ΤΗΣ ΕΣΤΙΑΣ:

Για να αφαιρέσετε την εστία, πρώτα αποσυνδέστε την από την παροχή ρεύματος. Συνιστάται ανεπιφύλακτα να ελευθερώσετε το κάτω μέρος από το φούρνο, το συρτάρι, το διαχωριστικό ή άλλο. Επιτρέπεται στον τεχνικό να έχει πρόσβαση στο κάτω μέρος της εστίας για να ξεσφίξει τα τέσσερα κλιπ με ένα κατασαβίδι, να σηκώσει την εστία και να την αφαιρέσει, αποφεύγοντας οποιαδήποτε ζημιά στον πάγκο εργασίας.

ΗΛΕΚΤΡΙΚΗ ΣΥΝΔΕΣΗ

Πριν συνδέσετε τη συσκευή στην τροφοδοσία ρεύματος, πρέπει να γίνει η ηλεκτρική σύνδεση.

Το καλώδιο τροφοδοσίας δεν περιλαμβάνεται στη συσκευασία - θυμηθείτε να προετοιμάσετε το δικό σας καλώδιο τροφοδοσίας.

Η εγκατάσταση πρέπει να πραγματοποιηθεί από εξειδικευμένο προσωπικό που γνωρίζει τους τρέχοντες κανονισμούς ασφαλείας και εγκατάστασης. Συγκεκριμένα, η εγκατάσταση πρέπει να πραγματοποιείται σύμφωνα με τους κανονισμούς της τοπικής εταιρείας παροχής ηλεκτρικής ενέργειας.

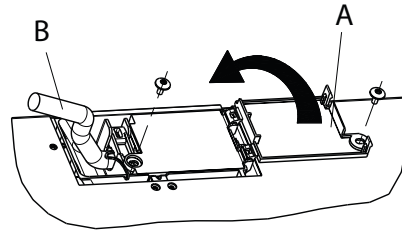
Βεβαιωθείτε ότι η τάση που καθορίζεται στην πινακίδα στοιχείων στο κάτω μέρος της συσκευής είναι η ίδια με την οικιακή.

Οι κανονισμοί απαιτούν τη γείωση της συσκευής: χρησιμοποιήστε καλώδια (συμπεριλαμβανομένου του καλωδίου γείωσης) κατάλληλου μεγέθους μόνο.

ΣΥΝΔΕΣΗ ΣΤΟΝ ΠΙΝΑΚΑ ΑΚΡΟΔΕΚΤΩΝ

Για ηλεκτρική σύνδεση, χρησιμοποιήστε ένα καλώδιο H05RR-F ή H05V2V2-F όπως καθορίζεται στον παρακάτω πίνακα.

ΤΑΣΗ ΠΑΡΟΧΗΣ	ΑΓΩΓΟΙ ΠΟΣΟΤΗΤΑ x ΜΕΓΕΘΟΣ
220-240V ~ + 	3 x 4 mm ²
230-240V ~ + 	3 x 4 mm ² (μόνο για την Αυστραλία)
220-240V 3~ + 	4 x 1,5 mm ²
380-415V 3N~ + 	5 x 1,5 mm ²
380-425V 2N~ + 	4 x 1,5 mm ²



Η συσκευή πρέπει να συνδεθεί στην τροφοδοσία ρεύματος μέσω ενός πολυπολικού διακόπτη αποσύνδεσης με ελάχιστο διάστημα επαφής 3 mm.

ΠΡΟΣΟΧΗ: Το καλώδιο τροφοδοσίας πρέπει να είναι αρκετά μακρύ ώστε να επιτρέπεται η αφαίρεση της μονάδας εστιών από τον πάγκο και πρέπει να τοποθετείται έτσι ώστε να αποφεύγεται η πρόκληση ζημιάς ή η υπερθέρμανση που προκαλείται από την επαφή με τη βάση.

ΣΗΜΕΙΩΣΗ: Το κίτρινο/πράσινο καλώδιο γείωσης πρέπει να συνδεθεί στο τερματικό με το σύμβολο  και πρέπει να είναι μεγαλύτερο από τα άλλα καλώδια.

- Βγάλτε περίπου 70 mm από το περίβλημα του καλωδίου τροφοδοσίας (B).
- Απογυμνώστε περίπου 10 mm από τα καλώδια. Εισαγάγετε το καλώδιο τροφοδοσίας στο σφιγκτήρα και συνδέστε τα καλώδια στους ακροδέκτες όπως φαίνεται στο διάγραμμα σύνδεσης που βρίσκεται δίπλα από την πλακέτα ακροδεκτών.
- Ασφαλίστε το καλώδιο τροφοδοσίας (B) μέσω του σφιγκτήρα καλωδίου.
- Κλείστε την πλακέτα ακροδεκτών με το κάλυμμα (A) ασφαρίζοντας το με την προβλεπόμενη βίδα.
- Μετά την ηλεκτρική σύνδεση, τοποθετήστε τη μονάδα εστιών από το πάνω μέρος και στερεώστε τη στα ελατήρια στήριξης, σύμφωνα με την εικόνα.



ΣΑΣ ΕΥΧΑΡΙΣΤΟΥΜΕ ΠΟΥ ΑΓΟΡΑΣΑΤΕ ΕΝΑ ΠΡΟΪΟΝ WHIRLPOOL

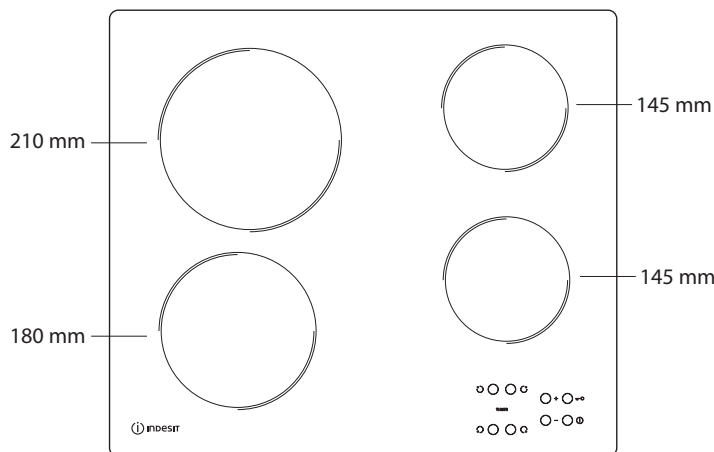
Για να λάβετε πλήρη τεχνική υποστήριξη, παρακαλούμε να καταχωρίσετε τη συσκευή σας στην ιστοσελίδα www.indesit.com/register.

ΣΑΡΩΣΤΕ ΤΟΝ ΚΩΔΙΚΟ QR ΣΤΗ ΣΥΣΚΕΥΗ ΣΑΣ ΓΙΑ ΠΕΡΙΣΣΟΤΕΡΕΣ ΠΛΗΡΟΦΟΡΙΕΣ

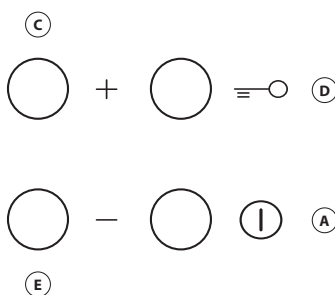
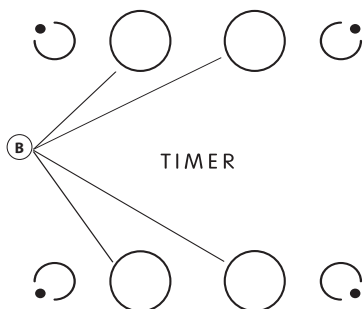


Διαβάστε τις οδηγίες για την ασφάλεια προσεκτικά πριν χρησιμοποιήσετε τη συσκευή.

ΠΕΡΙΓΡΑΦΗ ΠΡΟΪΟΝΤΟΣ



ΠΙΝΑΚΑΣ ΕΛΕΓΧΟΥ



- A** Ενεργ/Απενεργ
- B** Επιλογή εστιών και χρονοδιακόπτης
- C-E** Αύξηση και μείωση ρύθμισης θερμοκρασίας
- D** Κλείδωμα πλήκτρων

ΠΡΩΤΗ ΧΡΗΣΗ

Κατά την πρώτη εγκατάσταση, ο πίνακας διακοπών θα εκτελέσει έναν έλεγχο λειτουργίας για περίπου 1 δευτερόλεπτο και, στη συνέχεια, θα ενεργοποιήσει αυτόματα τη λειτουργία "Κλείδωμα πλήκτρων".

Γι να απενεργοποιήσετε αυτή τη λειτουργία, πατήστε και κρατήστε πατημένο

το κουμπί "D", ένα ηχητικό σήμα θα ηχήσει και το αντίστοιχο led θα σβήσει.

ΣΗΜΕΙΩΣΗ: Σε περίπτωση επαναρρύθμισης της συσκευής, επαναλάβετε τη διαδικασία που περιγράφεται πιο πάνω.

ΚΑΘΗΜΕΡΙΝΗ ΧΡΗΣΗ



ΕΝΕΡΓΟΠΟΙΗΣΗ/ΑΠΕΝΕΡΓΟΠΟΙΗΣΗ ΜΟΝΑΔΑΣ ΕΣΤΙΩΝ

Για να ενεργοποιήσετε τη μονάδα εστιών, πρέπει να κρατήσετε πατημένο το κουμπί "A" για 2 περίπου δευτερόλεπτα. Στις οθόνες των 4 εστιών μαγειρέματος εμφανίζεται η ένδειξη "0". Εάν μέσα σε 20 περίπου δευτερόλεπτα δεν ανάβει καμία από τις μαγειρικές εστίες, η μονάδα των εστιών σβήνει αυτόματα για λόγους ασφαλείας.

ΕΝΕΡΓΟΠΟΙΗΣΗ ΚΑΙ ΡΥΘΜΙΣΗ ΕΣΤΙΩΝ

Πιέστε ένα από τα κουμπιά "B" που αντιστοιχεί στη ζώνη μαγειρέματος που σκοπεύετε να χρησιμοποιήσετε. Επιλέξτε τη ρύθμιση μαγειρέματος πατώντας τα κουμπιά "E" ή "C". Οι άλλες επιλέξιμες ρυθμίσεις μαγειρέματος κυμαίνονται από 1 έως 9. Πιέστε ταυτόχρονα τα κουμπιά "+/-" για να ακυρώσετε όλες τις ρυθμίσεις.

ΠΡΟΣΟΧΗ: ο διακόπτης απενεργοποιείται 10 δευτερόλεπτα μετά την επιλογή της ρύθμισης της θερμοκρασίας. Για αλλαγή της ρύθμισης της θερμοκρασίας,

πιέστε ξανά το κουμπί επιλογής "B" και αλλάξτε τη ρύθμιση, χρησιμοποιώντας τα κουμπιά "E" ή "C".

ΧΡΟΝΟΔΙΑΚΟΠΤΗ

Για τη ρύθμιση της λειτουργίας χρονοδιακόπτη, επιλέξτε την εστία και το επίπεδο ισχύος και πατήστε ξανά το πλήκτρο της εστίας, στο σημείο αυτό ανάβει μια φωτεινή ένδειξη στην οθόνη της εστίας που λειτουργεί με χρονορύθμιση. Στις 2 οθόνες ανάβει η ένδειξη "00". Πατήστε τα κουμπιά "E" ή "C" για να ρυθμίσετε το χρόνο από 1 έως 99.

ΠΡΟΣΟΧΗ: μετά από 10 δευτερόλεπτα οι οθόνες του χρονοδιακόπτη εμφανίζουν το επίπεδο ισχύος των άλλων εστιών. Για να εμφανιστεί ο χρόνος που απομένει πατήστε δύο φορές την εστία που λειτουργεί με χρονορύθμιση.

ΜΙΑ ΛΕΙΤΟΥΡΓΙΑ

Αυτή η λειτουργία επιτρέπει την αυτόματη μείωση του επιπέδου ισχύος της ζώνης μαγειρέματος από την υψηλότερη τιμή (επίπεδο 9) σε αυτήν που έχει επιλέξει ο χρήστης για μεταγενέστερο στάδιο μαγειρέματος.

Για να ενεργοποιήσετε αυτή τη λειτουργία, πατήστε πρώτα το κουμπί “+” όταν φτάσετε στο επίπεδο 9.

Στην οθόνη εμφανίζεται το “A” και το “9” αναβοσβήνει εναλλάξ με χαμηλή φωτεινότητα.

Σε αυτό το σημείο, επιλέξτε το επιθυμητό επίπεδο ισχύος (λιγότερο από 9) με το κουμπί “-”.

Το “A” και το επιλεγμένο επίπεδο αναβοσβήνουν εναλλάξ με χαμηλή φωτεινότητα στην οθόνη. Η λειτουργία ενεργοποιείται μία φορά “A” και το επιλεγμένο επίπεδο αναβοσβήνει εναλλάξ με υψηλή φωτεινότητα στην οθόνη. Μόλις το “A” δεν είναι πλέον ορατό στην οθόνη (η λειτουργία “A” απενεργοποιείται αυτόματα μετά από αρκετά λεπτά, ανάλογα με το επίπεδο ισχύος που έχει ρυθμιστεί), η διαδικασία μαγειρέματος συνεχίζεται με χαμηλότερη ισχύ και στην οθόνη εμφανίζεται μόνο το επιλεγμένο επίπεδο ισχύος.

ΣΗΜ.: αυτή η λειτουργία δεν είναι δυνατή με το επίπεδο 9.

ΚΛΕΙΔΩΜΑ ΠΛΗΚΤΡΩΝ

Η λειτουργία Κλειδωμά Πλήκτρων ενεργοποιείται κρατώντας πατημένο το κουμπί “D” έως ότου σβήσει η κουκκίδα πάνω από το κουμπί λειτουργίας. Ο πίνακας ελέγχου είναι κλειδωμένος εκτός από τη λειτουργία απενεργοποίησης. Η λειτουργία παραμένει ενεργοποιημένη ακόμη και αφού σβήσετε και ανάψετε πάλι τη μονάδα εστίων και μπορεί να απενεργοποιηθεί πιέζοντας το κουμπί “D” ξανά έως ότου σβήσει η κουκκίδα πάνω από το κουμπί λειτουργίας. Όταν η εστία είναι απενεργοποιημένη με το κλειδί των κουμπιών ενεργοποιημένο, για να ενεργοποιήσετε την εστία, απενεργοποιήστε πρώτα τη λειτουργία κλειδώματος των κουμπιών πατώντας ξανά το κουμπί “D” μέχρι να σβήσει η κουκκίδα πάνω από το κουμπί λειτουργίας.

Η παρουσία νερού, υγρού που χύνεται από καταρόλες ή οποιωνδήποτε αντικειμένων ακουμπούν στα χειριστήρια μπορεί να ενεργοποιήσει ή να απενεργοποιήσει κατά λάθος το κλειδί των κουμπιών.

Η ΕΝΔΕΙΞΗ ΥΠΟΛΕΙΠΟΜΕΝΗΣ ΘΕΡΜΟΤΗΤΑΣ

Όταν σβήσει η εστία, η ένδειξη υπολειπόμενης θερμότητας “H” παραμένει αναμμένη ή αναβοσβήνει με “0” μέχρι η θερμοκρασία της εστίας να επιστρέψει εντός των ορίων ασφαλείας.

ΠΙΝΑΚΑΣ ΨΗΣΙΜΑΤΟΣ

ΕΠΙΠΕΔΟ ΙΣΧΥΣ		ΤΡΟΠΟΣ ΜΑΓΕΙΡΕΜΑΤΟΣ	ΧΡΗΣΗ ΕΠΙΠΕΔΟΥ (υποδεικνύοντας την εμπειρία μαγειρέματος και τις συνθήκες)
Μέγιστη ισχύς	9	Βράσιμο	Ιδανική ρύθμιση για αύξηση της θερμοκρασίας του φαγητού για γρήγορο βράσιμο στην περίπτωση νερού ή για γρήγορο ζέσταμα υγρών μαγειρέματος.
	9-8	Τσιγάρισμα	Ιδανική ρύθμιση για ρόδισμα, πρώτα στάδια μαγειρέματος, τηγάνισμα καταψυγμένων προϊόντων και γρήγορο βράσιμο.
Υψηλή ισχύς	8-7	Ρόδισμα – διατήρηση βρασμού - ψήσιμο στο γκριλ	Ιδανικό για ρόδισμα, διατήρηση υψηλού βρασμού, μαγείρεμα και ψήσιμο στο γκριλ (μικρή διάρκεια, 5-10 λεπτά).
	7-6	Τηγάνισμα – μαγείρεμα – ψήσιμο στο γκριλ	Ιδανικό για διατήρηση χαμηλού βρασμού, μαγείρεμα και ψήσιμο στο γκριλ (μεσαία διάρκεια, 10-20 λεπτά), προθέρμανση και τηγάνισμα.
Μέτρια ισχύς	6-5	Απαλό τηγάνισμα	Ιδανικό για τηγάνισμα αυγών, ομελετών.
	5-4	Μαγείρεμα – σιγοβράσιμο – βράσιμο	Ιδανική ρύθμιση για μαγείρεμα μεγάλης διάρκειας (ρύζι, σάλτσες, ψητά, ψάρια) με υγρά (π.χ. νερό, κρασί, ζωμός, γάλα), συμπύκνωση κρέμας ζυμαρικών.
	4-3	Συμπύκνωση - συμπύκνωση κρέμας ζυμαρικών	
Χαμηλή ισχύς	2-1	Διατήρηση ζεστού φαγητού – συμπύκνωση κρέμας ριζότου	Ιδανικό για να διατηρείτε ζεστό το φαγητό που μόλις μαγειρέψατε (π.χ., σάλτσες, σούπες, minestrone), συμπύκνωση κρέμας ριζότου και διατήρηση των πιάτων σε βερβίρισμα ζεστά.
Ελάχιστη ισχύς	1	Απόψυξη	Ιδανική ρύθμιση για απόψυξη μικρών προϊόντων και απαλό λιώσιμο σοκολάτας ή βουτύρου.
Μηδενική ισχύς	0	—	Μονάδα εστίων σε κατάσταση αναμονής ή απενεργοποίησης (πιθανή υπολειπόμενη θερμότητα τέλους μαγειρέματος, που υποδεικνύεται με ένα “H”).

ΠΡΟΣΟΧΗ: Οι λειτουργίες ασφαλείας της εστίας περιλαμβάνουν μια λειτουργία για αυτόματο σβήσιμο. Η παρατεταμένη χρήση της ίδιας ρύθμισης θερμοκρασίας ενεργοποιεί το αυτόματο σβήσιμο της εστίας (για παράδειγμα, μετά από περίπου 1 ώρα στη μέγιστη ρύθμιση θερμοκρασίας, η εστία σβήνει).

ΣΗΜΑΝΤΙΚΟ: Για να αποφύγετε μόνιμη βλάβη των εστίων:

- Μην χρησιμοποιείτε σκεύη με βάση που δεν είναι εντελώς επίπεδη
- Μην χρησιμοποιείτε μεταλλικά σκεύη με εμαγιέ βάση
- Μην τοποθετείτε ζεστές καταρόλες/σκεύη πάνω στον πίνακα ελέγχου.

Η εστία είναι επίσης εξοπλισμένη με τη λειτουργία “auto shut off” (αυτόματη απενεργοποίηση) που απενεργοποιεί τη ζώνη μαγειρέματος εάν δεν γίνει τροποποίηση του επιπέδου ισχύος μετά από ένα συγκεκριμένο χρονικό διάστημα, ανάλογα με την ίδια τη ρύθμιση ισχύος. Στον πίνακα, υπάρχει η χρονική διάρκεια κάθε επιπέδου ισχύος.

ΕΠΙΠΕΔΟ ΙΣΧΥΟΣ	ΧΡΟΝΟΣ ΑΥΤΟΜΑΤΗΣ ΑΠΕΝΕΡΓΟΠΟΙΗΣΗΣ
0	30 δευτερόλεπτα
1	10 ώρες
2	5 ώρες
3	5 ώρες
4	4 ώρες
5	3 ώρες
6	2 ώρες
7	2 ώρες
8	2 ώρες
9	1 ώρα

ΚΑΘΑΡΙΣΜΟΣ ΚΑΙ ΣΥΝΤΗΡΗΣΗ

⚠️ Αποσυνδέστε τη συσκευή από το ηλεκτρικό δίκτυο.

- Μη χρησιμοποιείτε εξοπλισμό καθαρισμού με ατμό.
- Μην χρησιμοποιείτε αποξεστικά καθαριστικά ή συρμάτινα σφουγγαράκια γιατί μπορεί να προκαλέσουν ζημιά στο γυαλί.
- Μετά τη χρήση, καθαρίστε τη μονάδα εστιών (όταν κρυώσει), ώστε να απομακρυνθούν υπολείμματα τροφίμων και κηλίδες.
- Η ζάχαρη ή τα φαγητά με υψηλή περιεκτικότητα σε σάκχαρο προκαλούν φθορά στη μονάδα εστιών και πρέπει να καθαρίζονται αμέσως.

- Το αλάτι, η ζάχαρη και η άμμος μπορούν να χαράξουν την επιφάνεια του γυαλιού.
- Χρησιμοποιείτε μαλακό πανί, χαρτί κουζίνας ή ειδικά προϊόντα για τον καθαρισμό της μονάδας (ακολουθείτε τις οδηγίες του κατασκευαστή).
- Οι διαρροές υγρών στις εστίες μπορεί να προκαλέσει τη μετακίνηση ή τον κραδασμό των σκευών.
- Σκουπίστε καλά την επιφάνεια της μονάδας μετά τον καθαρισμό.

ΑΝΤΙΜΕΤΩΠΙΣΗ ΠΡΟΒΛΗΜΑΤΩΝ

Εάν η μονάδα εστιών δεν λειτουργεί σωστά, πριν επικοινωνήσετε με το κέντρο εξυπηρέτησης πελατών, ανατρέξτε στον οδηγό αντιμετώπισης προβλημάτων για να καθορίσετε το πρόβλημα.

- Διαβάστε τις οδηγίες που παρέχονται στην ενότητα "Καθημερινή χρήση".
- Βεβαιωθείτε ότι δεν υπάρχουν διακοπές στην παροχή.
- Σκουπίστε καλά την επιφάνεια της μονάδας μετά τον καθαρισμό.
- Εάν έχει επιλεγεί μια ζώνη μαγειρέματος και στην οθόνη εμφανίζεται ένα "F" ή ένα "ER" ακολουθούμενο από έναν αριθμό, επικοινωνήστε με το σέρβις και ενημερώστε σχετικά.
- Εάν ο κωδικός σφάλματος είναι "F03", "ER03" ή "E02", προσπαθήστε να το λύσετε ακολουθώντας αυτές τις οδηγίες:
 - Εάν εμφανιστεί το σφάλμα "E02" βεβαιωθείτε ότι δεν έχετε πατήσει κουμπιά για περισσότερα από 5 δευτερόλεπτα, ότι δεν υπάρχει αντικείμενο στην περιοχή HMI και ότι είναι καθαρή και στεγνή - κατά τον καθαρισμό, ακολουθήστε όσα αναφέρονται στην παράγραφο συντήρησης και καθαρισμού.
 - Εάν εμφανιστεί το σφάλμα "F03", δοκιμάστε να απενεργοποιήσετε και να ενεργοποιήσετε ξανά την εστία.
 - Εάν εμφανιστεί το σφάλμα "F04", επικοινωνήστε με το σέρβις και ενημερώστε σχετικά με τον κωδικό που εμφανίζεται.

- Αν η κουζίνα δε λειτουργεί ύστερα από παρατεταμένη χρήση, τότε η εσωτερική της θερμοκρασία είναι πολύ υψηλή. Περιμένετε μερικά λεπτά μέχρι να κρυώσει η κουζίνα.
- Εάν ο θερμαντήρας δεν είναι συνεχώς αναμμένος, αλλά ανάβει και σβήνει κυκλικά, ακόμα κι αν στην οθόνη το επίπεδο ισχύος δεν αλλάζει, αυτό αποτελεί μέρος της κανονικής λειτουργίας της εστίας. Ο κύκλος on/off (ενεργοποίηση/απενεργοποίηση) επιτρέπει τη ρύθμιση ισχύος του θερμαντήρα και είναι απολύτως φυσιολογικός. Σε ορισμένες περιπτώσεις, η θερμική προστασία θα μπορούσε να απενεργοποιήσει τον θερμαντήρα για κάποιο χρονικό διάστημα για να αποφευχθεί η ζημιά στο γυαλί. Παραδείγματα τέτοιων περιπτώσεων είναι: μαγείρεμα για μεγάλο χρονικό διάστημα σε υψηλό επίπεδο ισχύος, χρησιμοποιώντας κατασρόλες μικρότερες από το θερμαντικό στοιχείο και όχι κατασρόλες με επίπεδο πυθμένα.
- Εάν η εστία εκπέμπει έναν σύντομο ήχο χωρίς ο πελάτης να πατήσει κανένα κουμπί, φροντίστε να μην χυθεί υγρό στο HMI. Στεγνώστε το HMI και συνεχίστε να χρησιμοποιείτε την εστία. Εάν η εστία έχει απενεργοποιηθεί αυτόματα, αυτό μπορεί να προκληθεί από παρουσία υγρού στο HMI. Στεγνώστε το HMI και ενεργοποιήστε ξανά την εστία.

Εάν μετά από αυτούς τους ελέγχους το πρόβλημα παραμένει, απευθυνθείτε στο πλησιέστερο Κέντρο Εξυπηρέτησης Πελατών.

ΚΕΝΤΡΟ ΕΞΥΠΗΡΕΤΗΣΗΣ ΠΕΛΑΤΩΝ

Για να λάβετε πλήρη τεχνική υποστήριξη, παρακαλούμε να καταχωρίσετε τη συσκευή σας στην ιστοσελίδα www.indesit.com/register.

ΠΡΙΝ ΚΑΛΕΣΕΤΕ ΤΟ ΣΕΡΒΙΣ:

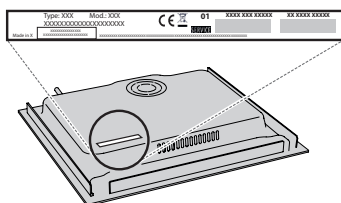
- Επιχειρήστε να επιλύσετε μόνοι σας το πρόβλημα με τη βοήθεια των συστάσεων που παρέχονται στον **ΟΔΗΓΟ ΑΝΤΙΜΕΤΩΠΙΣΗΣ ΒΛΑΒΩΝ**.
- Σβήστε και ανάψτε ξανά τη συσκευή για να διαπιστώσετε εάν η βλάβη παραμένει.

ΕΑΝ Η ΒΛΑΒΗ ΕΞΑΚΟΛΟΥΘΕΙ ΝΑ ΕΜΦΑΝΙΖΕΤΑΙ ΜΕΤΑ ΤΟΥΣ ΠΑΡΑΠΑΝΩ ΕΛΕΓΧΟΥΣ, ΕΠΙΚΟΙΝΩΝΗΣΤΕ ΜΕ ΤΟ ΠΛΗΣΙΕΣΤΕΡΟ ΣΕΡΒΙΣ.

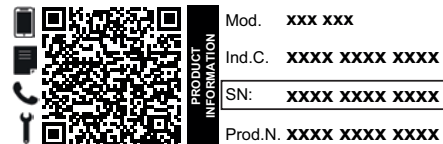
Για τεχνική υποστήριξη, καλέστε τον αριθμό που αναγράφεται στο βιβλιαράκι εγγύησης ή ακολουθήστε τις οδηγίες στην www.indesit.com.

Όταν επικοινωνείτε με την Εξυπηρέτηση πελατών, αναφέρετε πάντα:

- Μια σύντομη περιγραφή της βλάβης;
- Τον τύπο και το ακριβές μοντέλο της συσκευής;



- τον σειριακό αριθμό (αριθμός μετά τη λέξη SN στην πινακίδα που βρίσκεται κάτω από τη συσκευή). Ο σειριακός αριθμός αναφέρεται επίσης στην τεκμηρίωση.



- την πλήρη διεύθυνσή σας
- τον αριθμό τηλεφώνου σας.

Εάν απαιτείται επισκευή, απευθυνθείτε σε ένα εξουσιοδοτημένο Κέντρο Εξυπηρέτησης Πελατών (για να διασφαλιστεί η χρήση γνήσιων ανταλλακτικών και η σωστή επισκευή).

Μπορείτε να βρείτε πολιτικές, τυπική τεκμηρίωση και πρόσθετες πληροφορίες προϊόντος:

- Χρήση του κωδικού QR στη συσκευή σας;
- Επισκεφθείτε την ιστοσελίδα μας docs.indesit.eu;
- Εναλλακτικά, **μπορείτε να επικοινωνήσετε με την Υπηρεσία εξυπηρέτησης πελατών** (βλ. τηλεφωνικό αριθμό στο βιβλιαράκι εγγύησης). Όταν επικοινωνείτε με το Κέντρο εξυπηρέτησης πελατών, αναφέρετε τους κωδικούς που αναγράφονται στην ετικέτα αναγνώρισης προϊόντος.



ІНСТРУКЦІЇ З ТЕХНІКИ БЕЗПЕКИ

ВАЖЛИВА ІНФОРМАЦІЯ, ЯКУ СЛІД ПРОЧИТАТИ ТА ЯКОЇ СЛІД ДОТРИМУВАТИСЯ

Завантажте повну інструкцію з експлуатації з сайту <http://docs.indesit.eu> або зателефонуйте за номером телефону, вказаним у гарантійному буклеті.

Перед використанням приладу прочитайте ці інструкції з техніки безпеки. Збережіть їх для використання у майбутньому.

У цих інструкціях та на самому приладі містяться важливі попередження про небезпеку, які слід завжди виконувати. Виробник не несе жодної відповідальності за недотримання цих інструкцій з техніки безпеки, за неналежне використання приладу або неправильне налаштування елементів управління.

⚠ ПОПЕРЕДЖЕННЯ: Якщо варильна поверхня тріснула, не користуйтеся приладом - існує ризик ураження електричним струмом.

⚠ ПОПЕРЕДЖЕННЯ: Щоб уникнути пожежі, не зберігайте жодних предметів на поверхнях для приготування.

⚠ ОБЕРЕЖНО: слід наглядати за процесом готування. За короткочасним процесом готування слід наглядати постійно.

⚠ ПОПЕРЕДЖЕННЯ: Необережне приготування їжі із змістом жиру або олії на варильній панелі може бути небезпечним - це може призвести до виникнення пожежі. **НІКОЛИ** не намагайтеся загасити вогонь водою: Натомість, вимкніть прилад та накрийте полум'я, наприклад, кришкою або протипожежним покривалом.

⚠ Не використовуйте варильну панель як робочу поверхню або як підставку. Не кладіть одяг або інші легкозаймисті матеріали поблизу приладу, доки повністю не охолонуть всі його компоненти - існує ризик виникнення пожежі.

⚠ Не дозволяйте маленьким дітям (від 0 до 3 років) підходити до приладу. Не дозволяйте маленьким дітям (від 3 до 8 років) підходити надто близько до приладу без постійного нагляду. До користування приладом допускаються діти віком від 8 років, особи з фізичними, сенсорними чи розумовими вадами, а також особи, які не мають досвіду чи знань щодо використання цього приладу, тільки за умови, що такі особи отримали інструкції щодо безпечного використання приладу, розуміють можливий ризик або використовують прилад під наглядом. Не дозволяйте дітям гратися з приладом. Не дозволяйте дітям чистити та обслуговувати прилад без нагляду.

⚠ ПОПЕРЕДЖЕННЯ: Під час використання прилад і його доступні частини нагріваються. Слід бути обережними, щоб не торкнутися нагрівальних елементів. Дітей до 8 років не можна залишати поруч із приладом без постійного нагляду.

ДОЗВОЛЕНЕ ВИКОРИСТАННЯ

⚠ ОБЕРЕЖНО: Цей прилад не призначено для управління зовнішнім пристроєм для перемикачів, наприклад, таймером або окремою системою дистанційного керування.

⚠ Цей прилад призначено для використання в побутових і подібних умовах, наприклад таких: у кухонних зонах магазинів, офісів та інших робочих середовищ; у фермерських господарствах; клієнтами в готелях, мотелях, хостелах і інших житлових приміщеннях.

⚠ Забороняється використовувати прилад для інших цілей (наприклад, для опалення приміщень).

⚠ Цей пристрій не призначений для професійного використання. Не використовуйте прилад поза приміщенням.

УСТАНОВЛЕННЯ

⚠ Установлення і обслуговування приладу мають виконувати принаймні дві особи - існує ризик травмування. Під час розпакування та встановлення приладу використовуйте захисні рукавиці - існує ризик порізів.

⚠ Установлення, включаючи підключення водопостачання (за наявності), виконання електричних з'єднань, і ремонт має виконувати кваліфікований персонал. Не ремонтуйте та не замінюйте жодну частину приладу, якщо в інструкції з експлуатації прямо не вказано, що це необхідно зробити. Не дозволяйте дітям наблизитись до місця установлення. Розпакувавши прилад, перевірте, чи немає на ньому пошкоджень після транспортування. У випадку виникнення проблем зверніться до продавця або найближчого центру післяпродажного обслуговування. Після установлення, залишки упаковки (пластик, пінополістиролові елементи і т.п.) повинні зберігатися в недоступному для дітей місці - існує небезпека удушення. Перед проведенням будь-яких робіт з установлення прилад слід відключити від електромережі - існує ризик ураження електричним струмом. Під час установлення приладу переконайтеся, що він не перетискає кабель живлення - існує ризик виникнення пожежі або ураження електрострумом. Вмикайте прилад лише після завершення процедури його встановлення.

⚠ Перед вбудовуванням приладу слід виконати всі столярні роботи, прибрати дерев'яну стружку та тирсу.

⚠ Якщо прилад не встановлений над піччю, то необхідно встановити розділювальну панель (не входить в комплект) у відділенні під приладом.

ПОПЕРЕДЖЕННЯ ПРО НЕБЕЗПЕКУ УРАЖЕННЯ ЕЛЕКТРИЧНИМ СТРУМОМ

⚠ Слід забезпечити можливість від'єднання приладу від джерела живлення за рахунок витягання вилки, якщо вона є доступною, або за допомогою багатополюсного перемикача, який встановлено перед розеткою згідно з нормами прокладення електропроводки, крім того, прилад має бути заземлений відповідно до національних стандартів електричної безпеки.

⚠ Не використовуйте подовжувачі, розгалужувачі або адаптери. Після підключення електричні компоненти мають бути недосяжні користувачеві. Перед

використанням пристрою, якщо ви мокрі або босоніж. Забороняється користуватися цим приладом у разі пошкодження проводаживленняабовилки, неналежної роботи або пошкодження чи падіння.

⚠ Установлення виробу зі штепсельною вилкою на кінці кабелю живлення допускається, тільки якщо виріб уже оснащено вилкою від виробника.


⚠ Якщо кабель електроживлення пошкоджений, слід звернутися до виробника, його сервісного агента або особи з подібною кваліфікацією для заміни пошкодженого кабелю на ідентичний кабель, щоб уникнути можливої небезпеки - існує ризик ураження електричним струмом.

ЧИЩЕННЯ ТА ОБСЛУГОВУВАННЯ

⚠ **ПОПЕРЕДЖЕННЯ:** Перед виконанням технічного обслуговування приладу переконайтеся в тому, що він вимкнений і відключений від джерела живлення; ніколи не застосовуйте пристрої чищення парою - існує ризик ураження електричним струмом.

⚠ Не використовуйте абразивні чи їдкі матеріали, очисники на основі хлору або металеві щітки.

УТИЛІЗАЦІЯ ПАКУВАЛЬНИХ МАТЕРІАЛІВ


Пакувальний матеріал на 100% підлягає вторинній переробці та позначений символом .

Тому різні частини упаковки слід утилізувати відповідально та відповідно до місцевих правил щодо утилізації відходів.

УТИЛІЗАЦІЯ ПОБУТОВИХ ПРИЛАДІВ

Цей прилад виготовлено з матеріалів, які підлягають вторинній переробці або придатні для повторного використання. Утилізуйте його відповідно до місцевих правил утилізації відходів. Для отримання додаткової інформації про поводження з побутовими електричними приладами, їх утилізацію та вторинну переробку зверніться до місцевих органів, служби утилізації побутових відходів або в магазин, де ви придбали прилад. Цей прилад марковано відповідно до Європейської директиви 2012/19/ЄС, Директиви щодо відпрацьованого електричного й електронного обладнання (WEEE) та до Регламенту 2013 року про відходи електричного та електронного обладнання (зі змінами).

Забезпечивши правильну утилізацію цього приладу, ви допоможете запобігти негативним наслідкам для довкілля та здоров'я людей.

Символ  на продукті або в супровідній документації вказує на те, що прилад не можна утилізувати як побутові відходи, і що його потрібно здати на утилізацію до відповідного центру збору та вторинної переробки електричного й електронного обладнання.

ПОРАДИ ЩОДО ЕНЕРГОЗБЕРЕЖЕННЯ

Скористайтеся залишковим теплом вашої плити, вимкнувши прилад за кілька хвилин до кінця приготування їжі.

Основа вашої каструлі або пательні має закривати плиту повністю; посуд, менший за плиту, сприятиме витраті енергії.

Накривайте каструлі та пательні щільними кришками під час готування та використовуйте якомога менше води. Приготування страв без кришки значно збільшить споживання енергії.

Використовуйте тільки каструлі та сковороди з плоским дном.

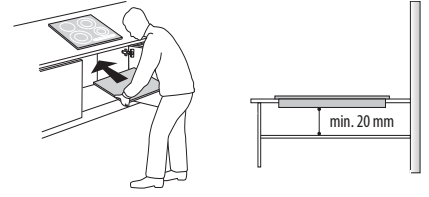
ДЕКЛАРАЦІЯ ПРО ВІДПОВІДНІСТЬ

Цей прилад відповідає вимогам щодо екодизайну Регламенту ЄС 66/2014, вимогам щодо екодизайну для виробів, що споживають енергію, та Положенням про енергетичну інформацію (Поправка) (Вихід з ЄС) 2019 року, відповідно до європейського стандарту EN 60350-2.



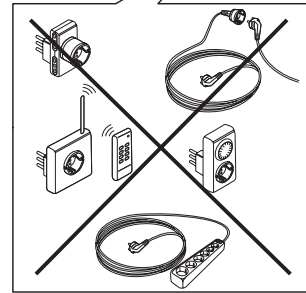
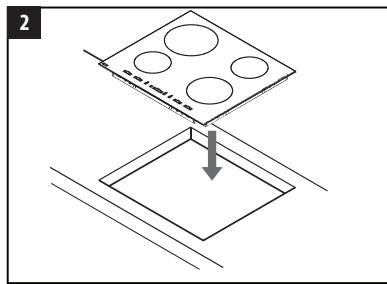
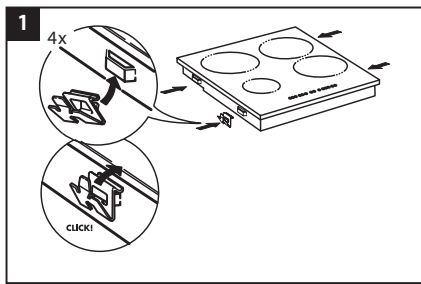
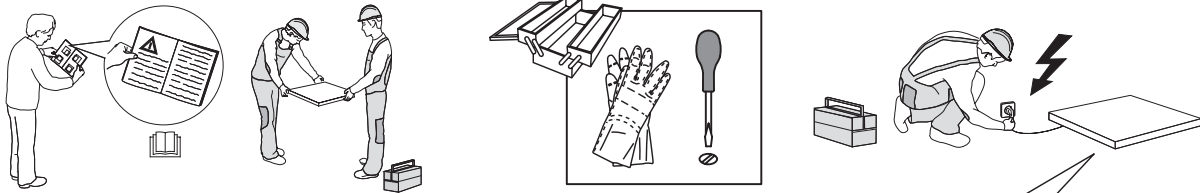
УСТАНОВЛЕННЯ

- Варильна панель має бути втоплена в робочу поверхню на глибину щонайменше 20 мм.
- Між варильною поверхнею та піччю не має бути нічого іншого (поперечних рейок, скоб і т.д.).
- Шнур живлення повинен мати достатню довжину для зручного встановлення виробу.
- Відстань між нижньою поверхнею склокерамічної поверхні та шафою або роздільною панеллю має бути щонайменше 20 мм.
- Інструкції щодо розмірів вбудовування та встановлення див. на малюнку в цьому параграфі.
- Між варильною панеллю та кухонною витяжкою потрібно залишати принаймні мінімальну відстань. Для отримання докладніших відомостей див. інструкції з використання, які постачаються в комплекті з кухонною витяжкою.
- Скористайтеся прокладкою, що постачається в комплекті, для варильної поверхні (якщо вона ще не була встановлена), після очищення її поверхні.
- **Не встановлюйте варильну поверхню біля посудомийної чи пральної машини, щоб електронні компоненти не контактували з паром чи вологою, які можуть їх пошкодити.**
- Якщо піч встановлена під варильною поверхнею, переконайтеся, що вона оснащена охолоджувальною системою. Якщо температура електросхеми перевищує максимально допустиму температуру, варильна поверхня вимкнеться автоматично. В цьому випадку почекайте кілька хвилин, поки внутрішня температура електронної схеми не досягне допустимого рівня, коли варильну панель можна буде увімкнути знову.

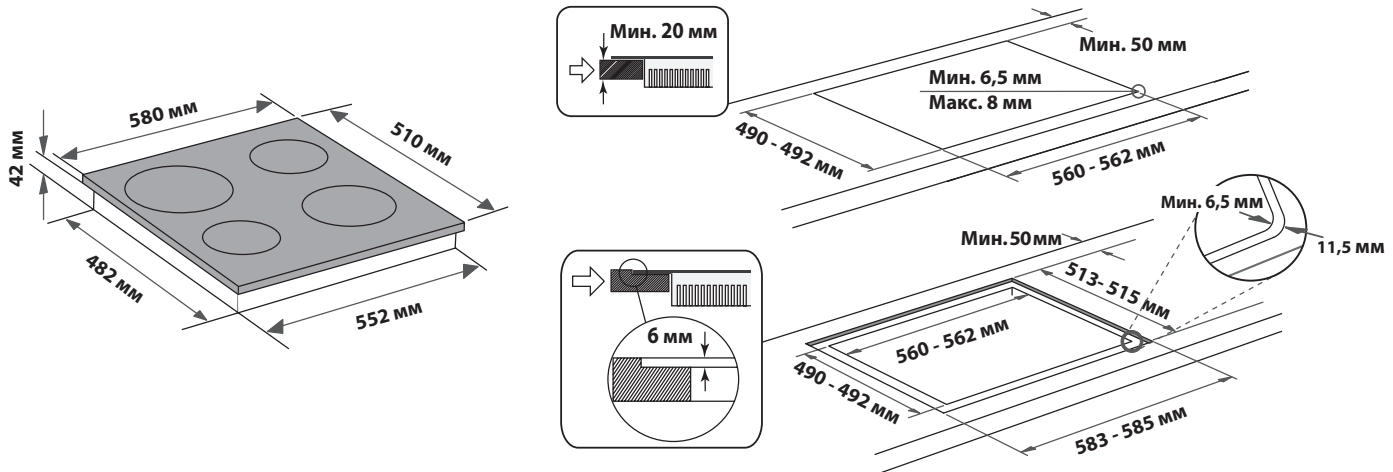
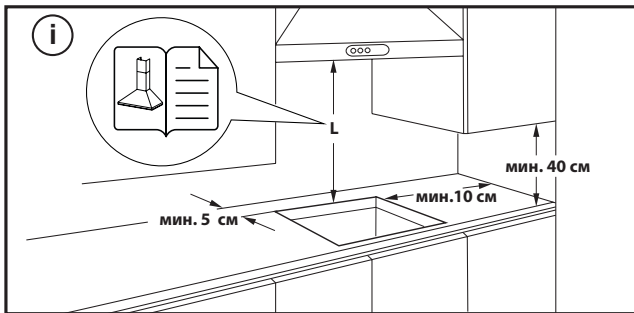


УСТАНОВЛЕННЯ ВАРИЛЬНОЇ ПАНЕЛІ

Підключивши прилад до електромережі (див. розділ "Підключення до електромережі"), закріпіть зажими у відповідних роз'ємах на бічних сторонах варильної панелі, як зображено на малюнку. Потім засуньте прилад у спеціально вирізану нішу та переконайтеся, що скляну поверхню розміщено паралельно робочій поверхні. Зажими призначені для всіх типів матеріалу, з якого виготовлено робочу поверхню (дерево, мармур тощо).



РОЗМІРИ ТА ВІДСТАНІ, ЯКИХ СЛІД ДОТРИМУВАТИСЯ



ДЕМОНТАЖ ВАРИЛЬНОЇ ПАНЕЛІ

Щоб зняти варильну панель, спочатку від'єднайте її від електромережі. Наполегливо рекомендовано звільнити нижню частину меблів, діставши з неї духову шафу, шухляди, розділювальну планку тощо. Завдяки цьому технічний фахівець отримає доступ до нижньої частини варильної панелі, щоб відкрутити чотири затискачі з допомогою викрутки, підняти варильну панель і дістати її, не пошкодивши робочу поверхню.

ПІДКЛЮЧЕННЯ ДО ЕЛЕКТРОМЕРЕЖ

Електричні підключення мають виконуватися до підключення приладу до електромережі.

Шнур живлення не входить до комплекту, обов'язково підготуйте власний шнур.

Установлення приладу має здійснювати кваліфікований спеціаліст, який ознайомлений із поточними нормами безпеки та монтажу. Зокрема, установка має проводитися згідно з нормами місцевої компанії електропостачання.

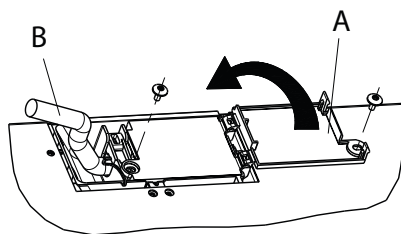
Переконайтеся, що напруга, вказана на таблиці основних параметрів, розташованої на дні приладу, відповідає напрузі будівлі.

Відповідно до нормативних вимог прилад має бути заземленим: використовуйте провідники (включно з провідником заземлення) лише відповідного розміру.

ПІДКЛЮЧЕННЯ ДО КЛЕМНИКА

Для підключення до електромережі скористайтеся кабелем H05RR-F або H05V2V2-F, указаним у таблиці нижче.

НАПРУГА ДЖЕРЕЛА ЖИВЛЕННЯ	ПРОВІДИ КІЛЬКІСТЬ x РОЗМІР
220-240V ~+ 	3 x 4 mm ²
230-240V ~+ 	3 x 4 mm ² (лише Австралія)
220-240V 3~+ 	4 x 1,5 mm ²
380-415V 3N~+ 	5 x 1,5 mm ²
380-425V 2N~+ 	4 x 1,5 mm ²



Підключати прилад до джерела живлення потрібно за допомогою омніполярного вимикача з мінімальним розривом контактів 3 мм.

УВАГА: Кабель електроживлення має бути достатньо довгим, щоб можна було вийняти варильну поверхню з робочої поверхні та перемістити так, щоб уникнути пошкодження або перегріву, спричиненого контактом з основою.

ПРИМІТКА: Дріт заземлення жовтого/зеленого кольору потрібно підключати до клемника, позначеного  символом. Довжина цього дроту має перевищувати довжину інших дротів.

- Вилучіть прибіл. 70 мм оболонки кабелю з кабелю живлення (**B**).
- Зніміть прибіл. 10 мм оболонки з дротів. Потім вставте кабель живлення в затискач кабелю та під'єднайте дроти до клемника, як зображено на схемі з'єднань, розташованій біля самого клемника.
- Закріпіть кабель живлення (**B**) затискачем кабелю.
- Закрийте клеймову панель за допомогою кришки (**A**), а потім закріпіть її за допомогою гвинтів, що постачаються в комплекті.
- Після здійснення підключення до мережі, встановіть варильну панель зверху, підвісивши її до опорних пружин, як це зображено на малюнку.

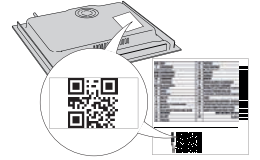


ДЯКУЄМО ЗА ПРИДБАННЯ ВИРОБУ WHIRLPOOL
Для отримання більш повної допомоги зареєструйте свій прилад на сайті www.indesit.com/register.

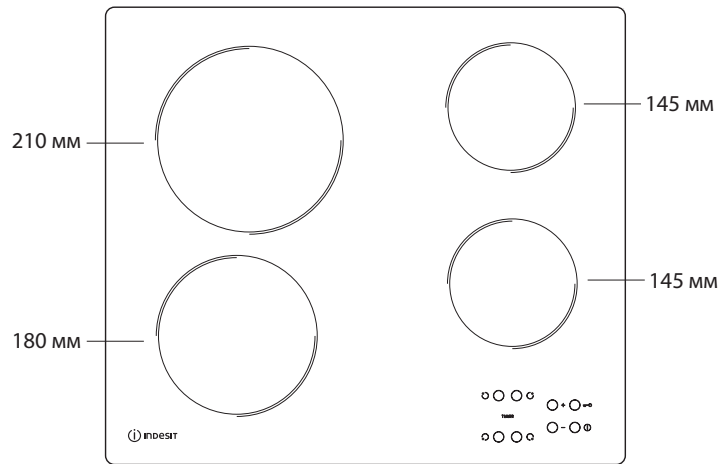


Перед використанням пристрою уважно прочитайте інструкції з техніки безпеки.

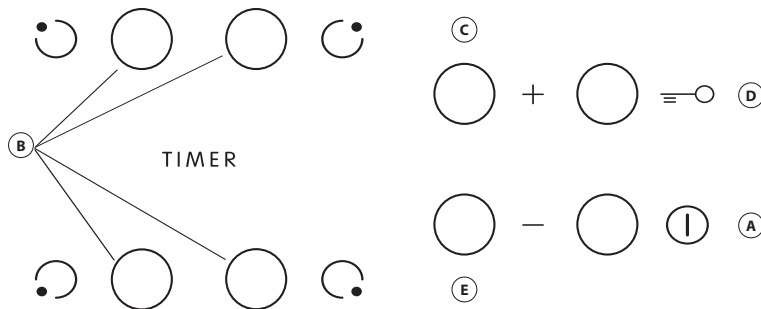
ВІДСКАКУЙТЕ QR-КОД НА СВОЄМУ ПРИЛАДІ, ЩОБ ОТРИМАТИ ДОДАТКОВУ ІНФОРМАЦІЮ



ОПИС ВИРОБУ



ПАНЕЛЬ КЕРУВАННЯ



- A** Вмикання/Вимикання
- B** Конфорки та встановлення таймера
- C-E** Збільшення та зменшення рівня нагрівання
- D** Блокування кнопок

ПЕРШЕ ВИКОРИСТАННЯ

Після першого встановлення приладу панель керування ініціює функціональну перевірку тривалістю 1 секунда, а потім автоматично активується функція "Блокування кнопок".

Для деактивації функції натисніть та утримуйте кнопку "D"; пролунає

акустичний сигнал та відповідна індикація LED буде вимкнена.

ПРИМІТКА: У разі скидання налаштувань виконайте процедуру, описану вище.

ЩОДЕННЕ ВИКОРИСТАННЯ



УВІМКНЕННЯ ТА ВИМКНЕННЯ ВАРИЛЬНОЇ ПАНЕЛІ

Щоб увімкнути варильну панель, натисніть і утримуйте протягом приблизно 2 секунд кнопку "A". Для чотирьох конфорок на дисплеї відобразиться цифра "0" (нуль). Якщо протягом 20 секунд не активовано жодну конфорку, запобіжний захід передбачає автоматичне вимкнення варильної панелі.

УВІМКНЕННЯ ТА НАЛАШТУВАННЯ КОНФРОК

Натисніть одну з кнопок "B", що відповідає конфорці, яку потрібно використати. За допомогою кнопок "E" та "C" виберіть необхідний рівень нагрівання. Інші можливі налаштування варильної панелі позначаються цифрами від 1 до 9. Щоб скасувати всі налаштування, натисніть одночасно кнопки "+/-".

ВАЖЛИВО! Через 10 секунд після встановлення рівня нагрівання буде вимкнено панель керування.

Щоб змінити рівень нагрівання, спочатку натисніть кнопку вибору "B", а потім за допомогою кнопок "E" та "C" змініть налаштування.

TIMER (ТАЙМЕР)

Щоб установити таймер, виберіть необхідну конфорку та рівень живлення, ще раз натисніть кнопку конфорки й на дисплеї конфорки, для якої встановлено таймер, з'явиться активована точка. На двох дисплеях блимає позначення "00". Натисніть кнопку "E" та "C", щоб установити час (від 1 до 99).

ВАЖЛИВО! Через 10 секунд в областях таймера відобразиться рівень живлення, вибраний для інших конфорок.

Щоб переглянути час готування, що залишився, двічі натисніть кнопку конфорки, для якої встановлено таймер.

ФУНКЦІЯ "A"

Ця функція автоматично знижує рівень потужності конфорки для наступного етапу готування від найвищого значення (9-го рівня) до значення, заданого користувачем.

Щоб активувати цю функцію, у разі досягнення 9-го рівня натисніть кнопку "+". На екрані з'являться літера "A" й цифра "9", вони блиматимуть по чергово з низькою яскравістю.

На цьому етапі потрібно вибрати потрібний рівень потужності (менше 9-го) за допомогою кнопки “-”.

На екрані по чергово блиматимуть із низькою яскравістю літера “А” й вибраний рівень.

Коли літера “А” й вибраний рівень по чергово заблимають на екрані з високою яскравістю, це засвідчить активацію функції.

Коли літера “А” зникне з екрана (функція “А” вимикається автоматично через кілька хвилин, залежно від встановленого рівня потужності), процес приготування продовжиться з меншою потужністю, а на екрані відобразатиметься лише вибраний рівень потужності.

ПРИМІТКА: ця функція недоступна для 9-го рівня потужності.

БЛОКУВАННЯ КНОПОК

Щоб активувати функцію Блокування кнопок натисніть і утримуйте кнопку “D”, доки над кнопкою функції не засвітиться точка.

Панель керування, крім функції вимкнення приладу, буде заблоковано. Навіть якщо вимкнути, а потім увімкнути варильну панель, функція блокування не вимкнеться. Щоб вимкнути її, потрібно натиснути й утримувати кнопку “D”, доки над кнопкою функції не згасне точка.

Якщо варильна панель вимкнена з активованим блокуванням кнопок, для ввімкнення варильної панелі слід спочатку деактивувати блокування кнопок. Для цього потрібно натиснути й утримувати кнопку “D”, доки над кнопкою функції не згасне точка.

Наявність залишків води, пролитої рідини чи інших об'єктів на елементах керування може спричинити випадкове ввімкнення або вимкнення функції блокування кнопок.

ІНДИКАТОР ЗАЛИШКОВОГО ТЕПЛОВИДІЛЕННЯ

Після вимкнення варильної панелі по чергово світлитимуться індикатор залишкового тепловиділення “Н” і позначення “0”, доки температура варильної панелі не знизиться до безпечного рівня.

ВАЖЛИВО! До функцій безпеки варильної панелі належить функція автоматичного вимкнення панелі. Використання конфорки, коли протягом тривалого часу вибрано один рівень нагрівання, ініціює її.

ВАЖЛИВО! Щоб запобігти пошкодженню варильної панелі, дотримуйтеся таких вказівок:

- не використовуйте каструлі з нерівним дном;
- не використовуйте металеві каструлі з емальованим дном;
- не розміщуйте гарячі каструлі/сковороди на панелі керування.

Варильну панель також оснащено функцією “Автоматичне вимкнення”, яка автоматично вимикає конфорку, якщо впродовж певного проміжку часу (залежить від встановленого рівня потужності) не змінити рівень потужності. У таблиці наведено тривалість дії кожного рівня потужності.

РІВЕНЬ ПОТУЖНОСТІ	ЧАС АВТОМАТИЧНОГО ВИМКНЕННЯ
0	30 секунд
1	10 година
2	5 година
3	5 година
4	4 година
5	3 година
6	2 година
7	2 година
8	2 година
9	1 година

ТАБЛИЦЯ ПРИГОТУВАННЯ

РІВЕНЬ ПОТУЖНОСТІ		ТИП ПРИГОТУВАННЯ СТРАВИ	ВИКОРИСТАННЯ РІВНЯ (із зазначенням результату готування та особливостей)
Максимальна потужність	9	Кип'ятіння	Ідеально підходить для швидкого доведення до кипіння води або рідин, що швидко нагріваються.
	9 – 8	Обсмажування	Ідеально підходить для підрум'янювання страв, початку процесу готування, розмороження заморожених продуктів, швидкого кип'ятіння.
Висока потужність	8 – 7	Підрум'янювання – підтримування кипіння – приготування на грилі	Ідеально підходить для підрум'янювання, підтримання стану кип'ятіння на значному вогні, варіння та приготування на грилі (незначна тривалість: 5–10 хвилин).
	7 – 6	Смаження – варіння – приготування на грилі	Ідеально підходить для підтримання стану кип'ятіння на незначному вогні, варіння та приготування на грилі (середня тривалість: 10–20 хвилин), попереднього прогрівання та смаження.
Середня потужність	6 – 5	Делікатне смаження	Ідеально для смаження яєць й приготування омлетів.
	5 – 4	Варіння – повільне кип'ятіння – тушкування	Ідеально підходить для страв, приготування яких займає чимало часу (рис, соуси, печеня, риба), з використанням певних рідин (вода, вино, бульйон, молоко), приготування соусу для макаронних страв.
	4 – 3	Згущування – соус для макаронних страв	
Низька потужність	2 – 1	Підігрівання – приготування ризото	Ідеально для підтримання щойно приготованої їжі (наприклад, соусів, супів, мінестроне) у гарячому стані, приготування ризото та підтримання страв у гарячому стані перед подачею.
Мінімальна потужність	1	Розморожування	Ідеально підходить для розморожування дрібних продуктів та повільного пом'якшення масла чи повільного топлення шоколаду.
Нульова потужність	0	–	Варильна панель у режимі очікування або вимкнута (після готування можлива наявність залишкового тепла, про що свідчить літера “Н” на дисплеї).

ОЧИЩЕННЯ І ОБСЛУГОВУВАННЯ

Від'єднайте прилад від джерела живлення.

- Ніколи не застосовуйте пристрої чищення паром.
- Не використовуйте металеві скребки або абразивні губки, оскільки вони можуть пошкодити скло.
- Після кожного використання очищуйте варильну панель (коли вона охолоне) від плям та залишків їжі.
- Цукор або продукти з високим вмістом цукру можуть пошкоджувати поверхню варильної панелі, тому їх слід негайно видалити.

- Сіль, цукор і пісок можуть подряпати скляну поверхню.
- Використовуйте м'яку ганчірку, кухонну серветку, що вбирає вологу, або спеціальний засіб чищення для варильної панелі (дотримуйтеся інструкцій виробника).
- Пролита на конфорки рідина може спричинити вібрацію та зсування посуду.
- Після чищення ретельно висушуйте варильну панель.

ПОСІБНИК З УСУНЕННЯ НЕСПРАВНОСТЕЙ

Якщо варильна панель працює неналежним чином, перш ніж звертатися до центру післяпродажного обслуговування, перегляньте “Посібник з усунення несправностей”, щоб визначити проблему.

- Прочитайте інструкції, наведені у розділі “Щоденне використання”, та дотримуйтесь їх.
- Перевірте, чи не перекрито постачання живлення.
- Очистивши варильну панель, ретельно протріть її м'якою сухою ганчіркою.
- Якщо була обрана конфорка та на дисплеї з'являється “F” або “ER” із цифрою, зверніться до центру післяпродажного обслуговування та повідомте про це.
- Якщо відображається код помилки “F03”, “ER03” або “E02”, спробуйте усунути її в зазначений нижче спосіб.
 - Якщо відображається код помилки “E02”, переконайтеся, що ви не натискали кнопки понад 5 секунд, у зоні інтерфейсу керування немає сторонніх предметів і поверхня цієї зони чиста й суха. Під час чищення дотримуйтесь указівок щодо обслуговування та чищення.
 - Якщо відображається помилка “F03”, спробуйте вимкнути й повторно увімкнути варильну панель.
 - Якщо відображається помилка “F04”, зверніться до центру післяпродажного обслуговування та повідомте код, що відображається.

- Якщо варильна поверхня не працює через інтенсивне використання, то внутрішня температура варильної поверхні занадто висока. Почекайте кілька хвилин, поки варильна панель охолоне.
- Якщо конфорка не лишається постійно ввімкненою, а натомість циклічно вмикається й вимикається, навіть якщо рівень потужності на екрані не змінюється, це є нормальною роботою варильної панелі. Завдяки періодичному вмиканню/вимиканню контролюється рівень потужності конфорки. Це є нормальним явищем. У деяких випадках функція теплового захисту може на певний час спричинити вимкнення конфорки, щоб запобігти пошкодженню скла. Приклади таких випадків: довготривале готування страви на великому вогні; використання каструль, площа дна яких менша за площу конфорки; використання каструль із нерівним дном.
- Якщо варильна поверхня видає короткий звук, коли користувач не натискає жодної кнопки, перевірте, чи не пролилася рідина на зону інтерфейсу керування, і за необхідності витріть її. Висушіть зону інтерфейсу керування, після чого можна продовжити експлуатацію варильної панелі. Якщо варильна панель автоматично вимкнулася, це могла спричинити рідина в зоні інтерфейсу керування. Висушіть зону інтерфейсу керування, після чого знову увімкніть варильну панель.

Якщо після вищевказаних перевірок несправність не зникає, зверніться до найближчого післяпродажного обслуговування.

ПІСЛЯПРОДАЖНЕ ОБСЛУГОВУВАННЯ

Для отримання більш повної допомоги зареєструйте свій прилад на сайті www.indesit.com/register.

ПЕРШ НІЖ ЗВЕРТАТИСЯ ДО ЦЕНТРУ ПІСЛЯПРОДАЖНОГО ОБСЛУГОВУВАННЯ, ВИКОНАЙТЕ НАВЕДЕНІ НИЖЧЕ ДІЇ:

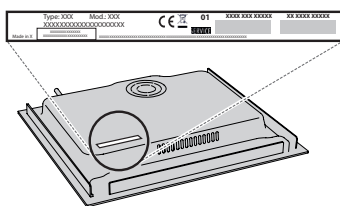
1. Перевірте, чи можна вирішити проблему самостійно за допомогою порад, наведених у розділі **ПОСІБНИК З УСУНЕННЯ НЕСПРАВНОСТЕЙ**.
2. Вимкніть прилад і знову увімкніть його, щоб перевірити, чи несправність залишається.

ЯКЩО ПІСЛЯ ВИЩЕВКАЗANOЇ ПЕРЕВІРКИ НЕСПРАВНІСТЬ НЕ ЗНИКНЕ, ЗВЕРНІТЬСЯ ДО НАЙБЛИЖЧОГО ЦЕНТРУ ПІСЛЯПРОДАЖНОГО ОБСЛУГОВУВАННЯ.

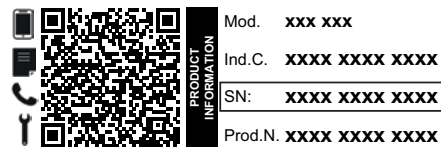
Щоб отримати допомогу, зверніться за номером, що вказаний у гарантійному талоні, або дотримуйтесь інструкцій на сайті www.indesit.com.

Під час зв'язку з нашим Сервісом післяпродажного обслуговування завжди уточнюйте:

- короткий опис несправності;
- тип і точну модель приладу;



- серійний номер (номер після слова SN на паспортній табличці, розташованій під приладом). Серійний номер вказаний також у документації;



- повна адреса вашого місця проживання;
- ваш номер телефону.

Якщо потрібен ремонт, зверніться в авторизований центр післяпродажного обслуговування (щоб гарантувати, що будуть використані оригінальні запчастини та ремонт буде виконано правильно).

З правилами, стандартною документацією та додатковою інформацією про виріб можна ознайомитися наступним чином:

- за допомогою QR-коду на вашому побутовому приладі;
- відвідавши наш веб-сайт docs.indesit.eu;
- або **звернувшись до нашого центру післяпродажного обслуговування клієнтів** (номер телефону зазначено у гарантійному талоні). Звертаючись до центру післяпродажного обслуговування, повідомте коди, зазначені на табличці з паспортними даними виробу



من المهم قراءتها والالتزام بها

إجراء أية أعمال تركيب - خطر الصعق الكهربائي. وأثناء التركيب، تأكد من عدم إلحاق أي ضرر بكابلات الكهرباء من جراء الجهاز -خطر نشوب حريق أو الصعق الكهربائي. ولا تقم بتفعيل الجهاز إلا عند اكتمال عملية التركيب. **⚠** قم بتنفيذ جميع أعمال قطع الكابينة قبل تركيب الجهاز في المبيت وتخلص بعناية من جميع الرقاقات الخشبية ونشارة الخشب. **⚠** إذا لم يتم تركيب الجهاز فوق فرن، فيجب تركيب لوح فاصل (غير مورد) في الجزء الموجود أسفل الجهاز.

⚠ يجب توفر إمكانية فصل الجهاز من مصدر الكهرباء من خلال نزع القابس إن أمكن الوصول إليه، أو باستخدام مفتاح متعدد الأقطاب ومركب عند المقبس بالتوافق مع قواعد التوصيل، ويجب أن يكون الجهاز مؤرضاً، بالتوافق مع مواصفات الأمان الكهربائية المحلية.


⚠ لا تستخدم أسلاك التمديد، أو المقابس متعددة التوصيلات أو المهايئات. يجب ألا يتسنى للمستخدم إمكانية الوصول إلى الأجزاء الكهربائية بعد التركيب. لا تستخدم الجهاز إذا كانت يداك مبتلتيين أو قدمك حافيتين. ولا تقم بتشغيل هذا الجهاز إذا كان هناك تلف في كابل أو قابس الكهرباء، أو في حالة تعذر تشغيله بالطريقة الصحيحة، أو إذا كان تالفاً، أو إذا سقط على الأرض.

⚠ لا يُسمح بالتركيب باستخدام قابس كابل كهرباء ما لم يكن المنتج مجهزاً بالفعل بالقابس الذي توفره الجهة الصانعة. **⚠** إذا لحق أي تلف بسلك التوصيل يجب استبداله عن طريق جهة الصنع أو وكيل الصيانة التابع لها أو أي شخص مؤهل بنفس الدرجة وذلك لتجنب المخاطر - خطر الصعق الكهربائي.

⚠ التنظيف والصيانة **⚠** تحذير: تأكد من إيقاف الجهاز ومن فصله عن مصدر الكهرباء قبل إجراء أية أعمال صيانة، لا تستخدم أبداً أجهزة التنظيف بالبخار - خطر الصعق الكهربائي.

⚠ لا تستخدم منتجات أكالة أو كاشطة أو منظفات كلورية أو أدوات تنظيف الأواني.


التخلص من مواد التغليف

مواد التغليف قابلة لإعادة التدوير بنسبة 001 % ومميزة برمز إعادة التدوير  لذا، يجب التخلص من أجزاء التغليف المختلفة بطريقة مسؤولة وبالتوافق التام مع تشريعات السلطات المحلية الحاكمة لعملية التخلص من المخلفات.

تكوين الأجهزة المنزلية

تم تصنيع هذا الجهاز باستخدام مواد قابلة لإعادة التدوير أو إعادة الاستخدام. تخلص منه وفقاً للوائح المحلية الخاصة بالتخلص من المخلفات. لمزيد من المعلومات حول المعالجة والاسترداد وإعادة التدوير للأجهزة الكهربائية المنزلية، اتصل بالجهة المحلية المختصة أو خدمة جمع النفايات المنزلية أو المتجر الذي اشتريته منه الجهاز. هذا الجهاز مميّز حسب المواصفة الأوروبية UE/91/2102، والأجهزة الكهربائية والإلكترونية القديمة (EWE) ومع تشريعات الأجهزة الكهربائية والإلكترونية القديمة (WEEE) (وتعدلاتها).

من خلال التأكد من التخلص من هذا المنتج بالطريقة الصحيحة سوف تساعد في منع النتائج السلبية على البيئة وصحة الإنسان.

يشير الرمز  الموجود على المنتج أو على المستندات المرافقة للمنتج إلى أنه لا ينبغي التعامل مع هذا المنتج على أنه من المخلفات المنزلية، ولكن يجب تسليمه إلى مركز تجميع ملانم لإعادة تدوير الأجهزة الكهربائية والإلكترونية.

نصائح توفير الطاقة

احرص على تحقيق أقصى استفادة من الحرارة المتبقية بسطح التسخين من خلال إطفائه قبل نهاية الطهي ببضع دقائق. قاعدة الوعاء أو الإناء الخاص بك ينبغي أن تغطي سطح التسخين بالكامل، فالوعاء الذي يكون أصغر من سطح التسخين سوف يتسبب في إهدار الطاقة.

قم بتغطية الأواني والأوعية الخاصة بك بإغطية محكمة الغلق أثناء الطهي واستخدم كمية قليلة من الماء قدر الإمكان. فالطهي دون وضع غطاء على الإناء سوف يزيد من استهلاك الطاقة بشكل كبير. اقتصِر على استخدام الأواني والأوعية ذات القواعد المستوية.

بيان المطابقة

هذا الجهاز يطابق متطلبات التصميم الاقتصادي للتشريع الأوروبي 4102/66 وتشريعات التصميم الاقتصادي للمنتجات المرتبطة بالطاقة والمعلومات (المعدلة) (tixE UE) 9102، بالتوافق مع المواصفة الأوروبية NE 05306-2.

قم بتنزيل دليل التعليمات من الموقع <http://docs.indesit.eu> أو اتصل برقم الهاتف الموضوع على كتيب الضمان.

اقرأ تعليمات السلامة هذه قبل استخدام الجهاز. واحتفظ بها في مكان قريب للرجوع إليها مستقبلاً.

تقدم هذه التعليمات والجهاز نفسه تحذيرات هامة خاصة بالسلامة يجب مراعاتها في جميع الأوقات. لا تتحمل الجهة الصانعة أي مسؤولية ناجمة عن عدم مراعاة تعليمات السلامة هذه، أو استخدام الجهاز بطريقة غير سليمة، أو ضبط عناصر التحكم بطريقة غير صحيحة.

⚠ تحذير: في حالة تشقق سطح الموقد، لا تستخدم الجهاز - خطر الصعق الكهربائي.

⚠ تحذير: خطر نشوب حريق: لا تقم بتخزين الأشياء على أسطح الطهي. **⚠** تنبيه: يجب مراقبة عملية الطهي. ويجب مراقبة عملية الطهي القصيرة بصفة مستمرة.

⚠ تحذير: طهي أطعمة تحتوي على دهون أو زيوت على الموقد دون مراقبة يمكن أن يكون خطيراً - خطر نشوب حريق. لا تحاول أبداً إطفاء الحريق باستخدام الماء: وبدلاً من ذلك، أطفئ الجهاز ثم قم بتغطية اللهب مثلاً بغطاء أو ببطانية إطفاء حريق.

⚠ لا تستخدم الموقد كسطح عمل أو كسطح ارتكاز. احتفظ بالملابس والمواد الأخرى القابلة للاشتعال بعيداً عن الجهاز إلى أن تبرد جميع الأجزاء تماماً - خطر نشوب حريق.

⚠ يجب إبعاد الأطفال الصغار (في عمر 0-3 سنوات) عن الجهاز.

يجب إبعاد الأطفال الصغار (من 3 إلى 8 سنوات) عن الجهاز ما لم يكونوا تحت المراقبة المستمرة. ويمكن للأطفال اعتباراً من عمر 8 سنوات فأكثر، وللأشخاص الذين لديهم نقص في القدرات البدنية أو الحسية أو العقلية، أو لمن تتقصمهم الخبرة والمعرفة استخدام هذا الجهاز بشرط الإشراف عليهم أو تزويدهم بالتعليمات المتعلقة باستخدامه بطريقة آمنة، وإذا فهموا الأخطار المتعلقة به. يجب ألا يعيثر الأطفال بهذا الجهاز. يحظر على الأطفال تنظيف الجهاز وصيانته دون إشراف.

⚠ تحذير: يسخن الجهاز وأجزاؤه التي يمكن الوصول إليها أثناء الاستخدام. يجب توخي الانتباه لتجنب ملامسة عناصر التسخين. يجب إبعاد الأطفال دون سن 8 سنوات إلا إذا كانت هناك ملاحظة وإشراف دائم عليهم.

الاستخدام المسموح به

⚠ تنبيه: الجهاز غير مخصص للاستخدام عن طريق جهاز تشغيل خارجي مثل مؤقت خارجي أو نظام تشغيل عن بعد مستقل.

⚠ هذا الجهاز مخصص للاستخدام في الأغراض المنزلية وما شابهها مثل: منطقة المطبخ في المحلات والمكاتب وبيئات العمل الأخرى، البيوت الريفية، ومن قبل نزلاء الفنادق والموتيلات والنزل بنظام المبيت والإفطار والبيئات الأخرى ذات الطابع السكني.

⚠ ولا يُسمح باستخدامه في أي أغراض أخرى (مثلاً: تدفئة الغرف).

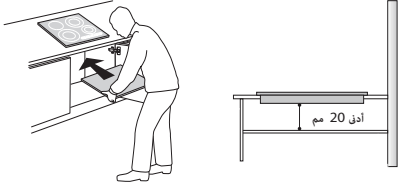
⚠ هذا الجهاز غير مخصص للاستخدام المهني. لا تستخدم الجهاز في الهواء الطلق.

التركيب

⚠ يجب التعامل مع الجهاز وتركيبه بواسطة شخصين أو أكثر - خطر الإصابة. ويتعين استخدام قفازات واقية لإخراج الجهاز من العبوة وتركيبه - خطر الإصابة بجروح.

⚠ يجب إجراء عمليات التركيب بما فيها الإمداد بالماء (إذا كان موجوداً) والتوصيلات الكهربائية والإصلاح بواسطة فني مؤهل. لا تقم بإصلاح أو تغيير أي جزء من أجزاء الجهاز ما لم ينص دليل المستخدم على ذلك بشكل محدد. وأبعد الأطفال عن موقع التركيب. بعد إخراج الجهاز من عبوته، تحقق من عدم تضرره أثناء النقل. وفي حالة وجود مشكلات، اتصل بالموزع أو أقرب مركز لخدمة ما بعد البيع. بمجرد إتمام التركيب، يجب تخزين مخلفات عبوة التغليف (الأجزاء البلاستيكية والسائبروفوم وخلافه) بعيداً عن متناول الأطفال - خطر الاختناق. ويجب فصل الجهاز عن مصدر الكهرباء قبل

التوصيل الكهربائي

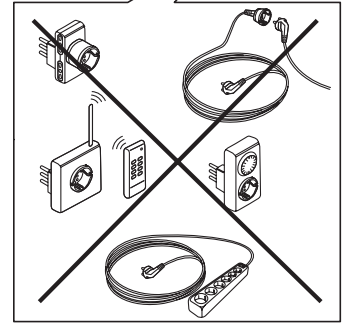
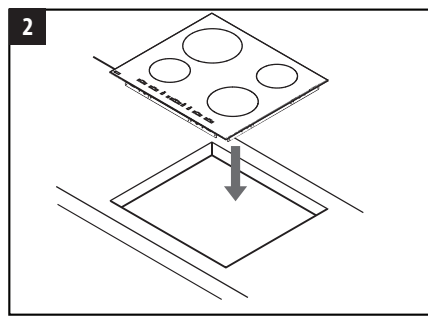
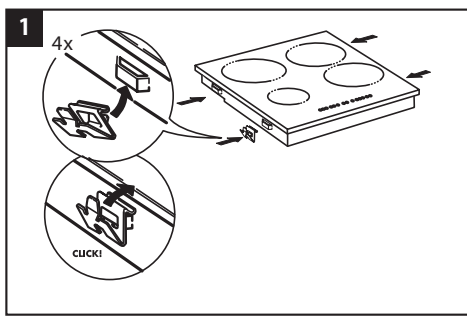
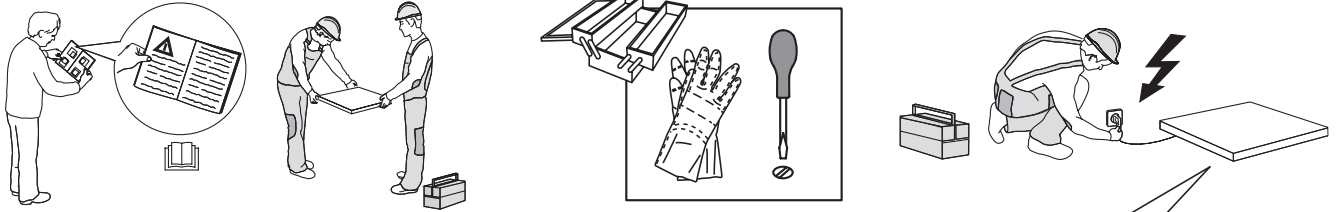


- يجب وضع الموقد في سطح عمل عمق 20م على الأقل.
- يجب عدم وجود أي شيء بين الموقد والفرن (قضبان عرضية، ركائز، وما شابه).
- تأكد من أن سلك الكهرباء طويل بما يكفي للسماح بالتركيب المريح.
- يجب ألا تقل المسافة بين السطح السفلي للموقد الخزفي الزجاجي والخزانة أو اللوحة الفاصلة عن 20 مم.
- للاطلاع على أبعاد الدمج والتركيب، انظر الصورة في هذه الفقرة.
- الحد الأدنى للمسافة التي يجب الحفاظ عليها بين الموقد والشفاف من فوقه. للمزيد من المعلومات يرجى الرجوع إلى دليل مستخدم الشفاط.
- ضع الجوانب الموردة على الموقد المسطح (ما لم يكن مركباً بالفعل)، بعد تنظيف سطحه.
- لا تَقم بتركيب الموقد المسطح بالقرب من غسالة أطباق أو غسالة ملابس، وذلك حتى لا تتلامس الدوائر الإلكترونية مع البخار أو الرطوبة، وبالتالي تتسبب في إتلافها.

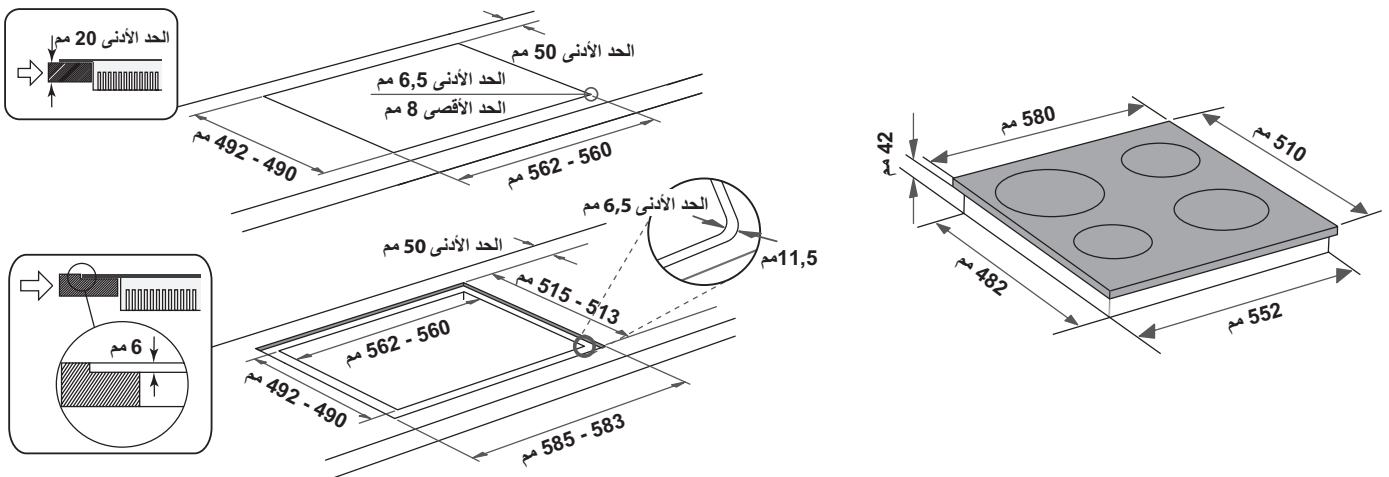
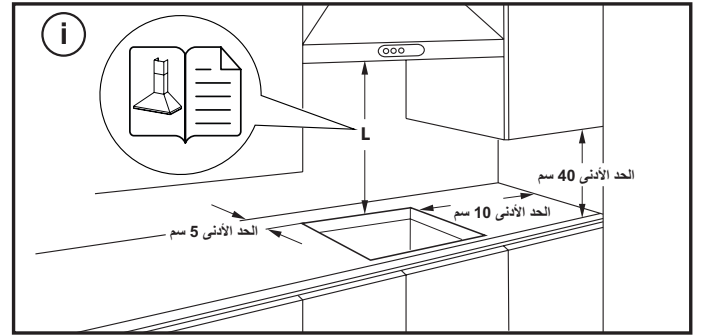
• في حالة تركيب فرن أسفل الموقد المسطح، تأكد من تزويد الفرن بنظام تبريد إذا تجاوزت درجة حرارة الدوائر الإلكترونية درجة الحرارة القصوى المسموح بها، فسيتم إيقاف الموقد المسطح أو توماتيكياً، في هذه الحالة، انتظر دقائق قليلة إلى أن تصل درجة الحرارة الداخلية للدوائر الإلكترونية لمستوى مقبول، حيث يمكن عند هذه النقطة تشغيل الموقد مرة أخرى.

وضع الموقد

بعد التوصيل الكهربائي (انظر فصل "التوصيل الكهربائي") قم بوضع كل مشبك تثبيت على الفتحات المعنية بالجوانب الجانبية للموقد كما هو موضح في الصورة. وبعد ذلك ادفع الموقد داخل التجويف وتأكد من أن الزجاج مستوي ويوازي سطح العمل. مشابه التثبيت مصممة لجميع أنواع مواد سطح العمل (الخشب، الرخام، إلخ).



المسافات والأبعاد التي يجب مراعاتها



خلع الموقد:

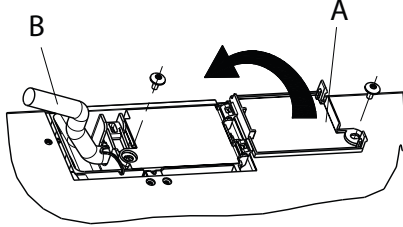
لخلع الموقد، يجب فصله أولاً من مصدر التيار الكهربائي. يوصى بشدة بتحرير الجزء السفلي من الفرن أو الدرج أو الفاصل أو غيره. يسمح للفني بالوصول إلى الجزء السفلي من الموقد لفك المشابك الأربعة بواسطة مفك ورفع الموقد وخلعه وتجنب أي تلف في سطح العمل.

التوصيل الكهربائي

يجب إتمام التوصيلة الكهربائية قبل توصيل الجهاز بمصدر إمداد الكهرباء. لا يتوفر سلك الكهرباء في العبوة - احرص على تحضير سلك الكهرباء الخاص بك. يجب أن يتم التركيب بمعرفة شخص مؤهل ذو اطلاع جيد بتشريعات السلامة والتركيب المعمول بها. بصفة خاصة، يجب أن تتم عملية التركيب طبقاً لتعليمات شركة الإمداد بالكهرباء المحلية. تأكد من أن قيمة الفلطية المدونة على لوحة البيانات الموجودة أسفل الجهاز مساوية لقيمة فلطية تيار الشبكة الكهربائية. تشترط اللوائح أن يتم تأريض الجهاز: اقتصر على استخدام موصلات (بما فيها موصل الأرضي) بالمقاس المناسب.

التوصيل بكتلة أطراف التوصيل

استخدم كابل F-RR50H أو F-2V2V50H (كما هو موضح بالجدول أدناه) للتوصيل الكهربائي.



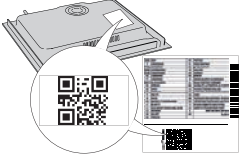
جهد الإمداد	موصلات الكمية x الحجم
240-220 فلت ~ +	4 x 3 مم ²
240-230 فلت ~ +	4 x 3 مم ² (أستراليا فقط)
240-220 فلت 3 ~ +	1,5 x 4 مم ²
415-380 فلت 3N ~ +	1,5 x 5 مم ²
425-380 فلت 2N ~ +	1,5 x 4 مم ²

يجب توصيل الجهاز بمصدر الإمداد بالكهرباء عن طريق مفتاح فصل لجميع الأقطاب بفجوة تلامس لا تقل عن 3 مم.

تنبيه: يجب أن يكون كابل الكهرباء طويلاً بالقدر الكافي للسماح بخلع الموعد المسطح من سطح العمل، كما يجب وضعه بحيث تتجنب تعرضه للتلف أو السخونة المفرطة نتيجة ملامسته للقاعدة.

ملاحظة: يجب توصيل سلك التأريض الأصفر/الأخضر بطرف التوصيل المميز بالرمز (⊕)، كما يجب أن يكون أطول من الأسلاك الأخرى.

- قم بإزالة حوالي 70 مم من غلاف كابل الإمداد بالتيار الكهربائي (B).
- قم بتقشير حوالي 10 مم من عازل أسلاك الكهرباء. بعد ذلك أدخل كابل الإمداد بالتيار الكهربائي في مشبك الكابل، وقم بتوصيل الأسلاك بكتلة أطراف التوصيل كما هو مبين في مخطط التوصيل الموجود بجانب كتلة أطراف التوصيل ذاتها.
- قم بتأمين كابل الإمداد بالتيار الكهربائي (B) باستخدام مشبك الكابل.
- أغلق لوحة أطراف التوصيل باستخدام الغطاء (A) وقم بتأمينها باستخدام البرغي المورد.
- بعد التوصيل الكهربائي، قم بتركيب الموعد من السطح وقم بتعليقه في نواحي التثبيت، كما هو موضح في الشكل.



يُرجى مسح رمز الاستجابة السريعة على جهازك
من أجل الحصول على مزيد من المعلومات

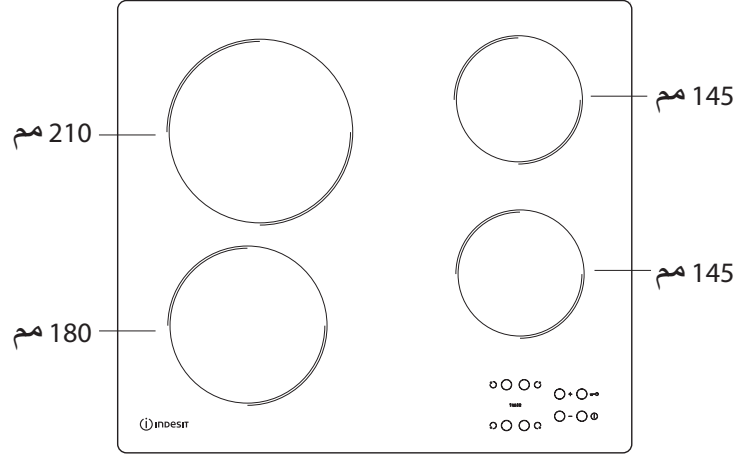
نشكرك على شراكتك أحد منتجات شركة WHIRLPOOL
للحصول على المزيد من المساعدة التفصيلية، يرجى تسجيل جهازك على
www.indesit.com/register



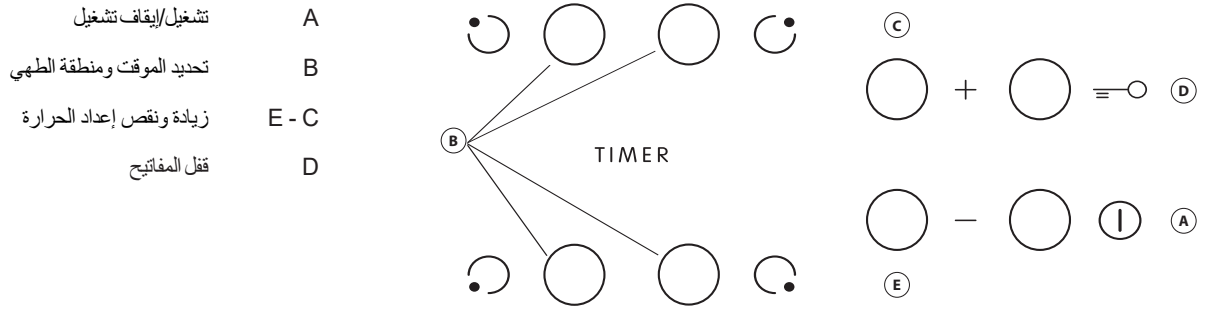
واقرا تعليمات السلامة بعناية قبل استخدام الجهاز.



وصف المنتج



لوحة التحكم



أول مرة للاستخدام

عند التركيب لأول مرة، تجري لوحة التحكم اختبار وظيفي لمدة ثانية واحدة تقريبًا، وبعد هذا الاختبار تنتقل تلقائيًا إلى وظيفة "قفل المفاتيح".
لإلغاء تنشيط الوظيفة، اضغط مع الاستمرار فوق الزر "D"، وستصدر إشارة تحذير وسيبطن مؤثر

الاستخدام اليومي

مهم: بعد مرور 10 ثوان سيطهر على شاشة الموقت إعداد الحرارة الخاص بمنطقة الطهي الأخرى.
لمشاهدة وقت الطهي المتبقي، اضغط فوق مفتاح موقت منطقة الطهي القابل للتحكم مرتين.

الوظيفة A

تتيح هذه الوظيفة تقليل مستوى قدرة نطاق الطهي أوتوماتيكيًا من أعلى قيمة (المستوى 9) إلى القيمة التي يختارها المستخدم لمرحلة لاحقة من الطهي.
لتفعيل هذه الوظيفة، اضغط أولاً على زر "+" عند الوصول إلى المستوى 9.
تعرض الشاشة "A" و "9" كومبوز بالتناوب مع شدة إضاءة منخفضة.
في هذه اللحظة، اختر مستوى القدرة المرغوب (أقل من 9) بواسطة الزر "-".
يوميض الحرف "A" والمستوى المختار بالتناوب على الشاشة مع شدة إضاءة منخفضة.
يتم تفعيل الوظيفة بمجرد وميض الحرف "A" والمستوى المختار بالتناوب على الشاشة مع شدة إضاءة منخفضة.
بمجرد أن يصبح الحرف "A" غير مرئي على الشاشة (تتوقف وظيفة "A" أوتوماتيكيًا بعد عدة دقائق، وفقًا لمستوى القدرة المضبوط)، تستمر عملية الطهي بقدرة أقل وتعرض الشاشة مستوى القدرة المختار فقط.
ملاحظة: هذه الوظيفة غير متاحة مع المستوى 9.

قفل المفاتيح

يتم تشغيل وظيفة قفل المفاتيح بواسطة الضغط مع الاستمرار فوق الزر "D" حتى تضيء النقطة الموجودة أعلى زر الوظيفة. يتم قفل لوحة التحكم ما عدا وظيفة إيقاف. تظل الوظيفة مشغلة حتى بعد إيقاف الموقد

تشغيل/إيقاف الموقت

لتشغيل المسخنة، اضغط على الزر "A" لمدة ثانيتين تقريبًا. يظهر على شاشات منطقة الطهي الأربعة "0". إذا لم يتم تنشيط أي من مناطق الطهي خلال 20 ثانية، فستتطفئ المسخنة تلقائيًا وفقًا لاحتياجات السلامة.

تشغيل وضبط نطاقات الطهي

اضغط على أحد أزرار "B" المقابلة لمنطقة الطهي التي تنوي استخدامها. اختر إعداد الحرارة اللازم باستخدام الأزرار "E" أو "C". تبدأ إعدادات الطهي القابلة للتحديد الأخرى من 1 إلى 9. اضغط فوق +/- في نفس الوقت لإلغاء جميع الإعدادات.

مهم: يتم إلغاء تنشيط التحكم لمدة 10 ثوان بعد أن يتم تحديد إعداد التسخين.
لتغيير إعداد الحرارة، اضغط أولاً على زر التحديد "B" مرة أخرى، ثم استمر في الخطوات لتغيير الإعداد باستخدام الأزرار "E" أو "C".

TIMER

لضبط وظيفة الموقت، حدد منطقة الطهي المرغوب فيها وإعداد الطاقة ثم اضغط فوق مفتاح منطقة الطهي مرة أخرى وستظهر نقطة مضيئة على شاشة موقت منطقة الطهي القابل للتحكم. يوميض المؤشر "00" على الشاشة. اضغط فوق الأزرار "C" أو "E" لضبط الوقت من 1 إلى 99.

تم تجهيز الموقد أيضاً بوظيفة "الإيقاف الأوتوماتيكي" التي تعمل على إيقاف نطاق الطهي إذا لم يتم تعديل مستوى القدرة بعد إطار زمني محدد وفقاً لإعداد القدرة نفسه. في الجدول، تجد المدة الزمنية لكل مستوى قدرة.

مستوى القدرة	وقت الإيقاف التلقائي
0	30 ثانية
1	10 ساعات
2	5 ساعات
3	5 ساعات
4	4 ساعات
5	3 ساعات
6	2 ساعة
7	2 ساعة
8	2 ساعة
9	1 ساعة

وتشغيله مرة أخرى ويمكن إيقاف فعاليتها بالضغط على الزر "D" مجدداً إلى أن تنطفئ النقطة أعلى زر الوظيفة. عندما يكون الموقد متوقف مع تفعيل قفل المفاتيح لتشغيل الموقد، قم أولاً بإيقاف فعالية وظيفة قفل المفاتيح عن طريق الضغط على الزر "D" مرة أخرى حتى تنطفئ النقطة فوق زر الوظيفة. وجود ماء أو سائل مسكوب من الأواني أو أية أشياء مستندة على عناصر التحكم يمكن أن يؤدي إلى تفعيل أو إيقاف فعالية قفل المفاتيح.

H مؤشر الحرارة الثابت

عند إيقاف تشغيل منطقة الطهي، يظل مؤشر الحرارة الثابت "H" مضيئاً أو يومض بالتبادل مع "0" تعود درجة حرارة المسخنة إلى نطاق مستويات السلامة.

مهم: تتضمن ميزات السلامة بالمسخنة وظيفة إيقاف التشغيل التلقائي. يؤدي الاستخدام لفترات طويلة لنفس إعداد الحرارة إلى تحفيز إيقاف التشغيل التلقائي لمنطقة الطهي (على سبيل المثال، بعد ساعة كحد أقصى من استخدام إعداد التسخين، يتم إيقاف تشغيل المسخنة).

هام: لتجنب حدوث ضرر دائم للموقد:

- لا تستخدم الأواني ذات القواعد غير المستوية،
- لا تستخدم الأواني المعدنية ذات القواعد المطلية،
- لا تضع الأواني/المقالي فوق لوحة التحكم.

جدول الطهي

مستوى القدرة	نوع الطهي	استخدام المستوى (وفقاً لخبرة وعادات الطهي)
أقصى قدرة	9	مثالي لزيادة درجة حرارة الطعام بسرعة لغلي السريع في حالة الماء أو التسخين السريع لسوائل الطهي.
	9 - 8	مثالي للتحمير وبدء الطهي وتحمير المنتجات المجمدة والغلي السريع.
قدرة عالية	8 - 7	مثالي للتحمير والحفاظ على درجة غليان عالية والطهي والشواء (مدة قصيرة، 5-10 دقائق).
	7 - 6	مثالي للغلي البطيء والحفاظ على درجة غليان منخفضة والطهي والشواء (مدة متوسطة، 20-10 دقيقة)، الإجماع والغلي.
قدرة متوسطة	6 - 5	مثالي لغلي البيض وأطباق الأومليت.
	5 - 4	مثالي للطهي المطول (الأرز، الصوصات، لحم الروستو، الأسماك) مع السوائل (على سبيل المثال الماء، الحساء، اللبن)، المعجنات الكريمة.
	4 - 3	مثالي للحفاظ على سخونة الطعام المطهي للتو (مثل الصوصات والحساء والشوربة)، الريزوتو الكريمة والحفاظ على سخونة أطباق التقديم.
قدرة منخفضة	2 - 1	مثالي لإذابة المنتجات الصغيرة والصهر برفق للشوكولاتة أو الزبد.
أقل قدرة	1	الموقد في طريقة الاستعداد أو الإيقاف (قد تكون هناك حرارة متبقية في نهاية الطهي، يُشار إليها بحرف "H").
بدون قدرة	0	إذابة التجمد
	-	-

التنظيف والصيانة

- فصل الجهاز عن مصدر الإمداد بالكهرباء.
- لا تستخدم أجهزة التنظيف بالبخار.
- لا تستخدم إسفنجات خشنة أو حشوات تنظيف خادشة لأنها قد تلحق الضرر بالزجاج.
- بعد كل استخدام، قم بتنظيف الموقد (عندما يبرد) لإزالة أية ترسبات أو بقع ناتجة عن بقايا الأطعمة.
- السكر أو الأطعمة التي بها نسبة عالية من السكر تتسبب في إلحاق الضرر بالموقد ويجب إزالتها على الفور.
- الملح والسكر والرمل يمكن أن تخدش السطح الزجاجي.
- استخدم قطعة قماش ناعمة أو ورق مطبخ له قدرة على الامتصاص أو منظف خاص بالموقد (اتباع إرشادات الجهة الصانعة).
- انسكاب السوائل على نطاقات الطهي قد يتسبب في تحريك الإناء أو اهتزازها.
- قم بتجفيف الموقد بعناية بعد تنظيفه.

إذا لم يعمل الموقد بشكل صحيح، فارجع إلى دليل التغلب على الأعطال لتحديد المشكلة، وذلك قبل الاتصال بخدمة ما بعد البيع.

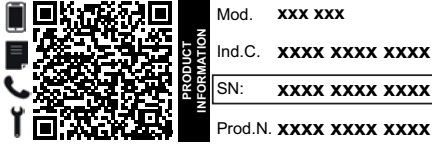
إذا لم يعمل الموقد بشكل صحيح، فارجع إلى دليل التغلب على الأعطال لتحديد المشكلة، وذلك قبل الاتصال بخدمة ما بعد البيع.

إذا لم يعمل الموقد بشكل صحيح، فارجع إلى دليل التغلب على الأعطال لتحديد المشكلة، وذلك قبل الاتصال بخدمة ما بعد البيع.

- إذا لم يعمل الموقد بشكل صحيح، فارجع إلى دليل التغلب على الأعطال لتحديد المشكلة، وذلك قبل الاتصال بخدمة ما بعد البيع.
- اقرأ واتباع التعليمات الواردة في جزء "الاستخدام اليومي".
- تأكد من عدم قطع مصدر إمداد الكهرباء.
- قم بتجفيف الموقد بعناية بعد تنظيفه.
- إذا تم اختيار نطاق الطهي/وظهر الحرف "F" أو كلمة "ER" في وحدة العرض متبوعة برقم، عندئذ يُرجى الاتصال بخدمة ما بعد البيع وإبلاغهم بذلك.
- إذا كان كود الخطأ "F03" أو "ER03" أو "E02"، حاول حله باتباع هذه التعليمات:
- إذا ظهر الخطأ "E02"، فيرجى التأكد من عدم الضغط على الأزرار لأكثر من 5 ثوانٍ، وعدم وجود أية أشياء في نطاق HMI وأنه نظيف وجاف - عند التنظيف، يرجى اتباع فترة الصيانة والتنظيف.
- إذا ظهر الخطأ "F03"، فحاول إيقاف الموقد وتشغيله مرة أخرى.
- إذا ظهر الخطأ "F04"، فاتصل بخدمة ما بعد البيع وأخبرهم بالكود الذي يتم عرضه.

خدمة ما بعد البيع

الرقم التسلسلي (الرقم بعد كلمة NS على لوحة التصنيف الموجودة أسفل الجهاز). كما تم الإشارة إلى الرقم التسلسلي أيضاً في الوثائق،



- عنوانك بالكامل،
- رقم هاتفك.

عند الحاجة للقيام بأية إصلاحات، يرجى الاتصال بأحد مراكز خدمة ما بعد البيع المعتمدة (لضمان استخدام قطع الغيار الأصلية وتنفيذ الإصلاحات بشكل صحيح).

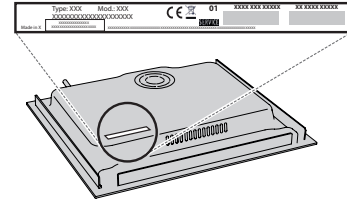
للحصول على مزيد من المساعدة والدعم الشامل، يرجى تسجيل منتجك على الموقع www.indesit.com/register

قبل الاتصال بخدمة ما بعد البيع:

1. تحقق مما إذا كان بمقدورك حل المشكلة بنفسك بمساعدة الاقتراحات المقدمة في دليل التغلب على الأعطال.
2. أوقف الجهاز، ثم أعد تشغيله مرة أخرى للتحقق مما إذا كان العطل لا يزال قائماً.

إذا كان العطل لا يزال قائماً بعد القيام بالفحوصات المذكورة أعلاه، فاتصل بأقرب مركز لخدمة ما بعد البيع للحصول على المساعدة اتصل بالرقم المبين في كتيب الضمان أو اتبع التعليمات الموجودة على الموقع الإلكتروني www.indesit.com

- عند الاتصال بخدمة ما بعد البيع، يرجى دوماً تحديد ما يلي:
- وصف مختصر للعطل،
- نوع الجهاز وطرازه بدقة،



يمكن العثور على السياسات والمستندات القياسية ومعلومات المنتج الإضافية من خلال:

- استخدام كود الاستجابة السريعة بجهازك،
- زيارة موقعنا eu.indesit.docs
- وكيدليل، يمكنك الاتصال بخدمة ما بعد البيع لدينا (راجع رقم التليفون في كتيب الضمان). يرجى عند الاتصال بخدمة ما بعد البيع ذكر الأكواد المذكورة على لوحة تمييز المنتج.