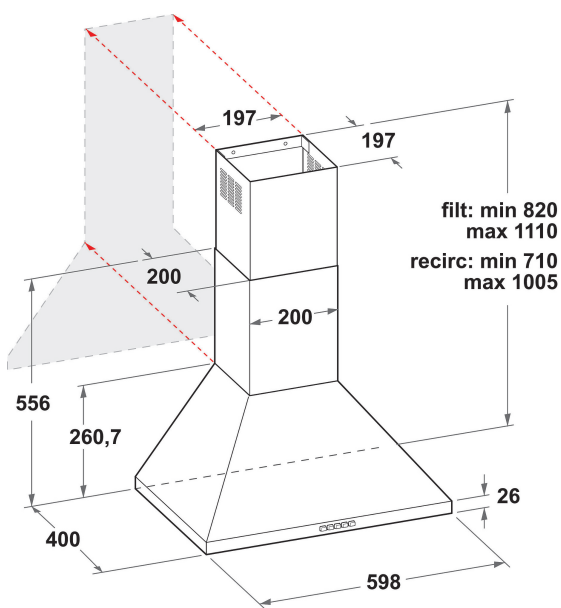


# PHPC 6.4F AM W

12NC: F094980

GTIN (EAN) code: 5016108949801

Hotpoint



## MAIN FEATURES

|   |                               |
|---|-------------------------------|
| Product group                           | Hood                          |
| Colour body                             | White                         |
| Material body                           | Stainless steel               |
| Colour chimney                          | -                             |
| Material chimney                        | -                             |
| Typology                                | Wall-mounted                  |
| Installation type                       | Wall-mounted                  |
| Type of control                         | Mechanical                    |
| Type of control settings                | -                             |
| Decor panel options                     | -                             |
| Motor location                          | Integrated motor in hood body |
| Operating Mode                          | Convertible                   |
| Electrical connection rating (W)        | 180                           |
| Current (A)                             | 0,8                           |
| Voltage (V)                             | 220-240                       |
| Frequency (Hz)                          | 50/60                         |
| Length of Electrical Supply Cord (cm)   | 200                           |
| Plug type                               | No                            |
| Chimney height (mm)                     | -                             |
| Height of product, without chimney (mm) | 0                             |
| Height of the product                   | 870                           |
| Width of the product                    | 600                           |
| Depth of the product                    | 400                           |
| Minimum niche height                    | 0                             |
| Minimum niche width                     | 0                             |
| Niche depth                             | 0                             |
| Net weight (kg)                         | 9                             |

## TECHNICAL FEATURES

|   |                    |
|---|--------------------|
| Type of manual control devices                          | Buttons            |
| Type of automatic control devices                       | -                  |
| Number of motors  | 1                  |
| Total power of the motors (W)                           | 140                |
| Number of speed settings: boost option availability     | 3                  |
| Boost presence  | No                 |
| Maximum output air extraction (m <sup>3</sup> /h)       | 416                |
| Boost position air extraction (m <sup>3</sup> /h)       | 0                  |
| Maximum output recirculating air (m <sup>3</sup> /h)    | 272                |
| Boost position output recirculating (m <sup>3</sup> /h) | 0                  |
| Light Control Type                                      | On/Off             |
| Number of lights  | 2                  |
| Type of lamps used                                      | Halogen            |
| Total power of the lamps (W)                            | 40                 |
| Diameter of air outlet (mm)                             | 150                |
| No-return airflow flap                                  | Yes                |
| Grease filter material                                  | Washable aluminium |
| Odour filter  | Yes                |

## PERFORMANCES

|   |    |
|---|----|
| Sound power at min. speed (2010/30/EU)          | 53 |
| Sound power at max. speed (2010/30/EU)          | 62 |
| Noise level with boost position (dB(A) re 1 pW) | 0  |