

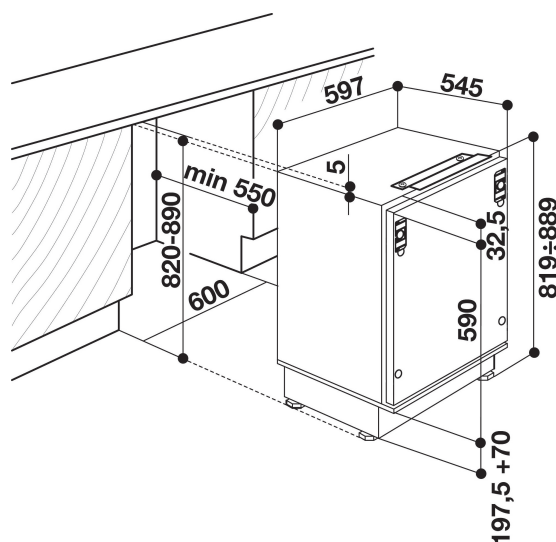
# AFB 91/A+/FR.1

12NC: 859991556360

GTIN (EAN) code: 8003437042836

Whirlpool

SENSING THE DIFFERENCE



- Energy class A+
- Product dimensions (HxWxD): 815x596x545 mm
- Total net capacity: 91 L
- Freezing capacity 10 kg/24 h
- Manual Defrost System
- Temperature adjustable
- Freezing system for freezer compartment: static
- 3 drawers
- Reversible door
- On/off light
- Adjustable feet
- Fixed mounted cover door installation system
- 1 freezing flap
- Built-under freezer
- Mechanical controls
- White Finishing
- Climatic class SN-T

## Whirlpool integrated upright freezer: white color - AFB 91/A+/FR.1

This Whirlpool integrated upright tall Freezer features: white color. This under counter appliance suits every room style.



### Undercounter Appliance

Thanks to its small size (height up to 85 cm) and removable top cover, you can fit the appliance under the kitchen counter.



### Alarms / Alerts

Blackouts? No problem. Blackout Alert will monitor the temperature inside your refrigerator. A red blinking light will inform you if the temperature reaches -8°.



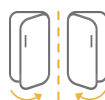
### A+ energy efficiency

Outstanding energy efficiency. With its A+ energy rating, this Whirlpool Freezer will allow you to enjoy both ideal results and lower energy consumption.



### Number of drawer 3

Ideal space management. This Whirlpool Freezer includes three convenient drawers to help you tidily store your packages, boxes and bags of frozen food.



### Reversible Door

Reversible door hinges for added versatility to fit with your kitchen layout - choose to open to the left or the right.



### Transparent Drawers

The transparent drawers allow you to see what food is in the drawers without having to open them.

# AFB 91/A+/FR.1

12NC: 859991556360

GTIN (EAN) code: 8003437042836

# Whirlpool

SENSING THE DIFFERENCE

## MAIN FEATURES

Product group	Freezer
Commercial code	AFB 91/A+/FR.1
GTIN (EAN) code	8003437042836
Construction type	Built-in
Installation type	Built-under
Type of control	Mechanical
Main colour of product	White
Electrical connection rating (W)	110
Current (A)	13
Voltage (V)	220-240
Frequency (Hz)	50
Length of Electrical Supply Cord (cm)	200
Plug type	UK
Total unit net capacity (l)	91
Height of the product	815
Width of the product	596
Depth of the product	545
Maximum adjustability feet	0
Net weight (kg)	35
Gross weight (kg)	35.8
Door hinge	-

## TECHNICAL FEATURES

Defrost process	Manual
Fast freezing function	No
Refrigerator section with thaw water drainage system	No
Number of drawers/baskets	3
Lockable door	No
Thermometer freezer section	None
Interior light	-

## PERFORMANCES

Energy efficiency class - NEW (2010/30/EU)	A+
Freezing capacity (kg/24h) - NEW (2010/30/EU)	10
Temperature rise time (h)	27
Climate class	SN-T
Frost free system	No
Freezer Net capacity (l) - NEW (2010/30/EU)	91

**ENERG** Y IJA  
енергия · ενεργεια IE IA

**WHIRLPOOL**  
AFB 91/A+/FR.1

A+++  
A++  
A+ **A+**  
A  
B  
C  
D

ENERGIA · ΕΝΕΡΓΙΑ  
ΕΝΕΡΓΕΙΑ · ENERGIJA  
ENERGY · ENERGIE · ENERGI

**185**  
kWh/annum

1L  
- L

91 L

38 dB

2010/1060