

TUMBLE DRYER

EN

English, 1

ES

Português, 17

PT


Español, 33

FR

Français, 49

IDCE G45 B H

www.indesit.com

 This symbol reminds you to read this instruction manual.

! Keep this manual at hand for immediate reference whenever necessary. Always store this manual close to the tumble dryer and remember to pass it on to any new owners when selling or transferring the appliance, so they may familiarise with the warnings and suggestions herein contained.

! Read these instructions carefully: the following pages contain important information on installation and useful suggestions for operating the appliance.

Contents

Installation, 2

Where to install the tumble dryer
Ventilation
Electrical connections
Preliminary information

Warnings, 4

General safety
Saving energy and respecting the environment

Care and maintenance, 6

Disconnecting the power supply
Cleaning the filter after each cycle
Checking the drum after each cycle
Emptying the water container after each cycle
Cleaning the condenser unit
Cleaning the tumble dryer

Description of the tumble dryer, 8

Features
Control panel

How to carry out a drying cycle, 10

Starting and selecting a programme

Programmes and options, 11

Programme chart
Special/Sport/Partial Programmes
Options
Opening the door

Laundry, 14

Sorting laundry
Care labels
Drying times

Troubleshooting, 15

Assistance, 16

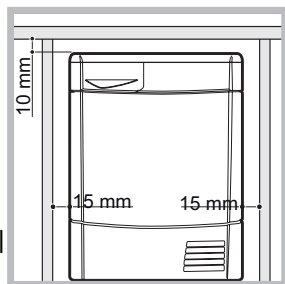
Spare parts
Essential Contact Information
Information on recycling and disposal

Installation

EN

Where to install the tumble dryer

• Install the dryer far from gas ranges, stoves, radiators or hobs, as flames may damage it. If the dryer is installed below a worktop, ensure there are 10 mm between the upper panel of the dryer and any objects above it, and 15 mm between the sides of the machine and the walls or furniture units adjacent to it. This ensures adequate air circulation. The appliance must be installed with the rear surface placed against a wall.



Ventilation

• The room must be adequately ventilated while the dryer is running. Make sure that the dryer is installed in a room free of humidity and with adequate air circulation. The flow of air around the dryer is essential to allow water to condense during drying; the dryer will not function properly if it is placed in an enclosed space or inside a cabinet.

! Some condensation may form if the dryer is used in a small or cold room.

! We do not recommend that the dryer is installed in a cupboard but the dryer must never be installed behind a lockable door, a sliding door or a door with a hinge on the opposite side to that of the dryer door.

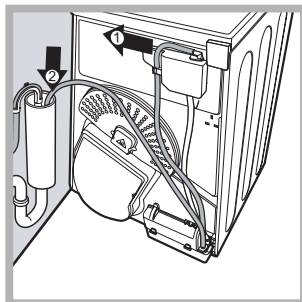
Water drain

If your dryer is installed next to a drain the water can be plumbed into this drain. This does away with the need to empty the water container. If the dryer is stacked onto or installed next to a washing machine it can share the same drain. The height of the drain must be less than 3' (1 m) from the bottom of the dryer.

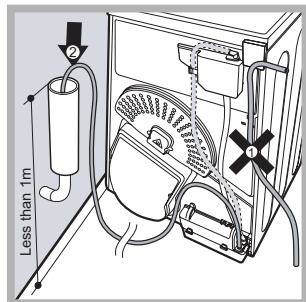
Remove existing hose from position shown in picture A and fit a suitable length of hose and connect as shown in picture B.

! The drain tube has to be below 1 m from the bottom of the Dryer

! Make sure that the hose is not squashed or kinked when the dryer is in its final location.



Picture A



Picture B

Electrical connections

Before plugging the appliance into the socket, check the following:

- Make sure your hands are dry.
- The socket must have an earth connection.
- The socket must be able to withstand the machine's maximum power output as indicated on the rating plate (see *Description of the tumble dryer*)
- The power supply voltage must fall within the values indicated on the data plate (see *Description of the tumble dryer*).
- The socket must be compatible with the dryer's plug. Should this not be the case, replace the plug or the socket.

! DO NOT USE EXTENSION CORDS.

! The dryer must not be installed outdoors, even if the space is sheltered. It can be very dangerous if exposed to rain or storms.

! Once installed, the dryer's electrical wire and plug must be within reach.

! The power cord must not be bent or squashed.

! If the plug being replaced is a non-rewirable type, then the cut-off plug must be disposed of safely. DO NOT leave it where it can be inserted into a socket and create a shock hazard.

! The power must be regularly checked. If the supply cord is damaged, it must be replaced by the manufacturer, its service agent or similarly qualified persons in order to avoid a hazard. (see *Assistance*). New or longer electric cords are supplied by authorised dealers at a supplementary cost.

! The manufacturer denies any responsibility should any of these rules not be followed.

! If in doubt about any of the above consult a qualified electrician.

Preliminary information

Once the tumble dryer is installed, clean the inside of the drum before operating it and remove any dirt accumulated during transportation.

Maximum load sizes: maximum 8 kg

EN


Product Data - Regulation 392/2012.	
Brand	Indesit
Model	IDCE G45 B H (EU)
Rated capacity of cotton laundry for the "standard cotton programme" at full load - kg	8.0
This household tumble drier is a	Condenser
Energy efficiency class on a scale from A+++ (low consumption) to D (high consumption)	B
The weighted Annual Energy Consumption (AEc)* - kWh 1)	559.8
This household tumble drier is a	Automatic
Energy consumption full load; Edry - kWh 2)	4.77
Energy consumption partial load; Edry ^{1/2} - kWh 2)	2.53
Power consumption: off-mode (Po) - Watts	0.14
Power consumption: left-on mode (Pl) - Watts	2.39
Duration of the 'left-on mode' for power management system - minutes	30
Prog. Time - weighted (Tt) full & partial load - minutes 3)	104
Full load (Tdry) - minutes	139
Partial load (Tdry ^{1/2}) - minutes	78
Condensation efficiency class on a scale from G (least efficient) to A (most efficient)	B
Average condensation efficiency - %	
weighted (Ct) full & partial load 3)	81
full load (Cdry)	82
partial load (Cdry ^{1/2})	80
Airborne acoustical noise emissions - dB(A) re 1 pW	68.0
1) "Standard cotton" at full and partial load is the standard programme to which the information in the label and the fiche relates. The standard cotton program is suitable to dry at cupboard level (0%) cotton laundry and is the most efficient programme in terms of energy consumption. Partial load is half the rated load.	
2) based on 160 drying cycles of the standard cotton programme at full and partial load, and the consumption of the low-power modes. Actual energy consumption will depend on how the appliance is used.	
3) Weighted average of 3 cycles at full load and 4 cycles at half load.	
Regulation 932/2012.	
Energy consumption in kWh, for program "Synthetics" full load	1.41
Programme time in minute, for program "Synthetics" full load	65
Partial load for program "Synthetics" N/A	

Warnings

EN

! This appliance has been designed and built according to international safety standards. These warnings are given for safety reasons and must be followed carefully.

General safety

- This appliance can be used by children aged from 8 years and above and persons with reduced physical, sensory or mental capabilities or lack of experience and knowledge if they have been given supervision or instruction concerning use of the appliance in a safe way and understand the hazards involved.
- This tumble dryer has been designed for home, and not professional, use.
- Do not touch the appliance while barefoot or with wet hands or feet.
- Unplug the machine by pulling on the plug, not the cord.
- After using the dryer, turn it off and unplug it. Keep the door closed to make sure that children do not use it as a toy.
- Children should be supervised to ensure that they do not play with the dryer.
- Cleaning and user maintenance shall not be made by children without supervision.
- Children of less than 3 years should be kept away from the appliance unless continuously supervised.
- The appliance must be installed correctly and have proper ventilation. The air intake at the front of the dryer should never be obstructed (see *Installation*).
- Never use the dryer on carpeting where the pile height would prevent air from entering the dryer from the base.
- Check to see if the dryer is empty before loading it.
- The back of the dryer could become very hot.
Never touch it while in use.
- Do not use the dryer unless the filter, water container and condenser are securely in place (see *Maintenance*).
-  Do not overload the dryer (see *Laundry* for maximum loads).
- Do not load items that are dripping wet.
- Carefully check all instructions on clothing labels (see *Laundry*).
- Do not tumble dry large, very bulky items.
- Do not tumble dry acrylic fibres at high

temperatures.

- Do not turn off the dryer when there are still warm items inside.
- Clean the filter after each use (see *Maintenance*).
- Empty the water container after each use (see *Maintenance*).
- Clean the condenser unit at regular intervals (see *Maintenance*).
- Do not allow lint to collect around the dryer.
- Never climb on top of the dryer. It could result in damage.
- Always follow electrical standards and requirements (see *Installation*).
- Always buy original spare parts and accessories (see *Service*).

To minimise the risk of fire in your tumble dryer, the following should be observed:

- Tumble dry items only if they have been washed with detergent and water, rinsed and been through the spin cycle. It is a fire hazard to dry items that HAVE NOT been washed with water.
- Do not dry garments that have been treated with chemical products.
- Do not tumble dry items that have been spotted or soaked with vegetable or cooking oils, this constitutes a fire hazard. Oil-affected items can ignite spontaneously, especially when exposed to heat sources such as a tumble dryer. The items become warm, causing an oxidation reaction with the oil, Oxidation creates heat. If the heat cannot escape, items can become hot enough to catch fire. Piling, stacking or storing oil-affected items can prevent heat from escaping and so create a fire hazard. If it is unavoidable that fabrics containing vegetable or cooking oil or those that have been contaminated with hair care products be placed in a tumble dryer they should first be washed with extra detergent - this will reduce, but not eliminate the hazard. They should not be removed from the dryer and piled or stacked while hot.
- Do not tumble dry items that have previously been cleaned in or washed in, soaked in or soiled with petrol/gasoline, dry cleaning solvents or other flammable or explosive substances. Highly flammable

substances commonly used in domestic environments including cooking oil, acetone, denatured alcohol, kerosene, spot removers, turpentine, waxes and wax removers. Ensure these items have been washed in hot water with an extra amount of detergent before being dried in the tumble dryer.

- Do not tumble dry items containing foam rubber (also known as latex foam), or similarly textured rubber like materials. Foam rubber materials can, when heated, produce fire by spontaneous combustion.
- Fabric softener or similar products should not be used in a tumble dryer to eliminate the effects of static electricity unless the practice is specifically recommended by the manufacturer of the fabric softener product.
- Do not tumble dry undergarments that contain metal reinforcements eg. bras with metal reinforcing wires. Damage to the tumble dryer can result if the metal reinforcements come loose during drying.
- Do not tumble dry rubber, plastic articles such as shower caps or babies waterproof covers, polythene or paper.
- Do not tumble dry rubber backed articles, clothes fitted with foam rubber pads, pillows, galoshes and rubber coated tennis shoes.
- Remove all objects from pockets such as lighters and matches.

! WARNING: Never stop the dryer before the end of the drying cycle unless all items are quickly removed and spread out so that the heat is dissipated.

Save energy and respect the environment

- Wring out all items to eliminate excess water before tumble drying (if you use a washing machine first, select a high spin cycle). Doing this will save time and energy during drying.
- Always dry full loads - you save energy: single items or small loads take longer to dry.
- Clean the filter after each use to contain energy consumption costs (*see Maintenance*).

Care and maintenance

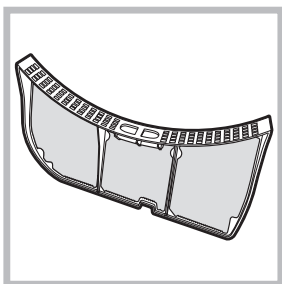
EN

Disconnecting the power supply

! Disconnect the dryer when not in use or during cleaning and maintenance operations.

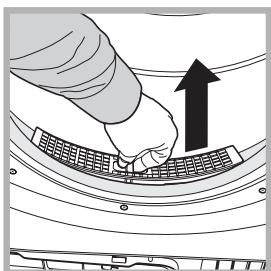
Cleaning the filter after each cycle

The filter is a fundamental component of the dryer: its function is to collect lint and fluff that form during drying.



Clean the filter once drying is completed, by rinsing it under running water or cleaning it with a vacuum cleaner. Should the filter become clogged, the flow of air inside the dryer will be

seriously hampered: drying times becomes longer and more energy is consumed. Moreover,



the dryer may become damaged.

The filter is located in front of the dryer seal (see Picture).

Removing the filter:

1. Pull the filter's plastic handle upwards (see

Picture).

2. Clean the fluff off the filter and replace it correctly. Ensure that the filter is pushed fully home.

! Do not use the dryer unless the filter has been replaced in its holder.

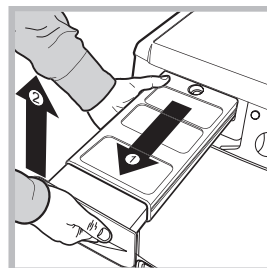
Checking the drum after each cycle

Rotate the drum manually to remove smaller items (handkerchiefs) that could have been left inside the dryer.

Cleaning the drum

! Avoid using abrasives, steel wool or stainless steel cleaning agents to clean the drum. A coloured film may appear on the stainless steel drum surface: it may be caused by a combination of water and/or cleaning agents such as wash-softeners. This coloured film does not affect the dryer's performance.

Emptying the water container after each cycle



Remove the water container and empty it into a sink or other suitable drain outlet, then replace it correctly. Always check the water container and empty it before starting a new drying cycle.

-Failure to empty the water container may cause the following:

- The dryer stops heating (thus the load may still be damp at the end of the drying cycle).
- The "Empty water container" LED activates to show that the water container is full.

Priming the Water Collection System

When your dryer is new, the Water Container will not collect Water until the system is primed, this will take 1 or 2 drying cycles. Once primed it will collect Water during every cycle.

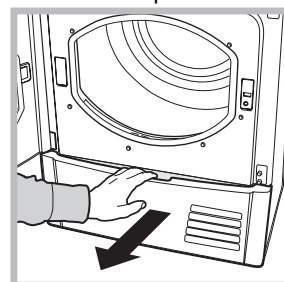
Cleaning the condenser unit.

- Remove the condenser (see Picture below) unit regularly (monthly) and clean off any fluff deposits from the plates by rinsing it with cold water running on the rear end of the condenser.

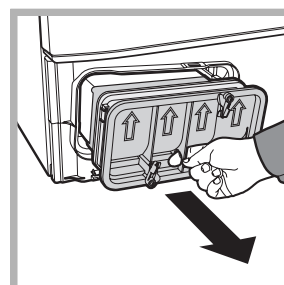
Removing the condenser:

1. Disconnect the dryer from the power supply and open the door.

2. Open the condenser cover (see Picture below), unlock the three catches by turning them 90° anti-clockwise, then pull on the grip to remove the condenser.



3. Clean the surface of the seals and replace the unit with the arrows pointing upwards, while making sure that the catches are securely fixed.

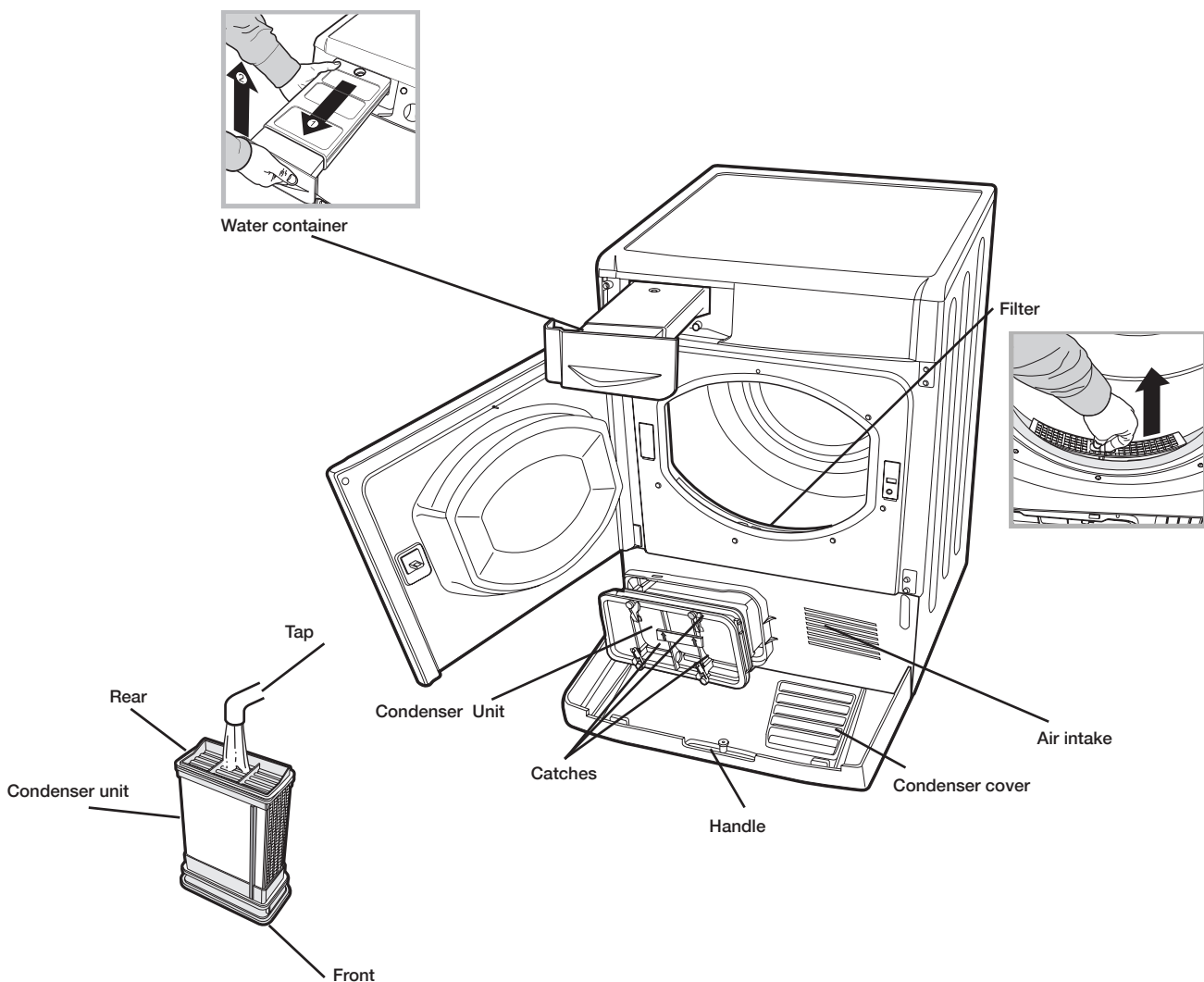


Cleaning the tumble dryer

- The external metal, plastic and rubber parts can be cleaned with a damp cloth.
 - Clean the front air intake grille regularly (every 6 months) with a vacuum cleaner to remove any lint, fluff or dust deposits. Furthermore, remove any lint deposits from the front part of the condenser and from the filter area, using a vacuum cleaner every so often.
- ! Do not use solvents or abrasives.
! Have the dryer checked regularly by authorised technical personnel in order to ensure that the electrical and mechanical parts work safely (see Assistance).

Quick Tips

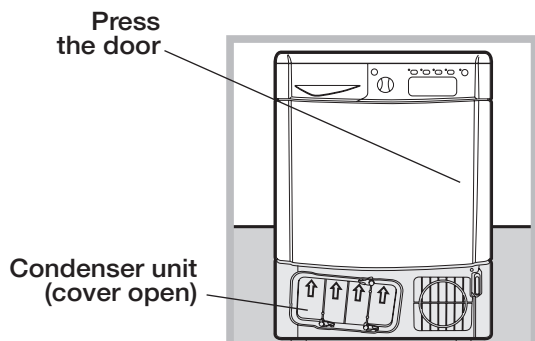
! Remember to clean your filter and Condenser unit after each load.
! Remember to empty your water container after each load.
! Doing this will keep your machine working at its BEST!



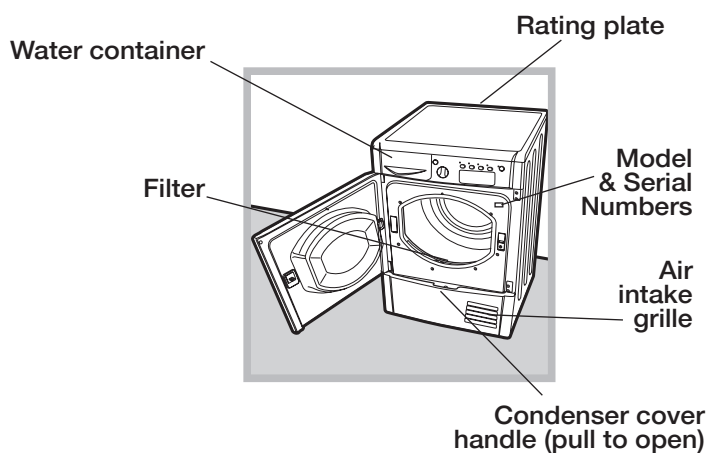
Description of the tumble dryer

EN

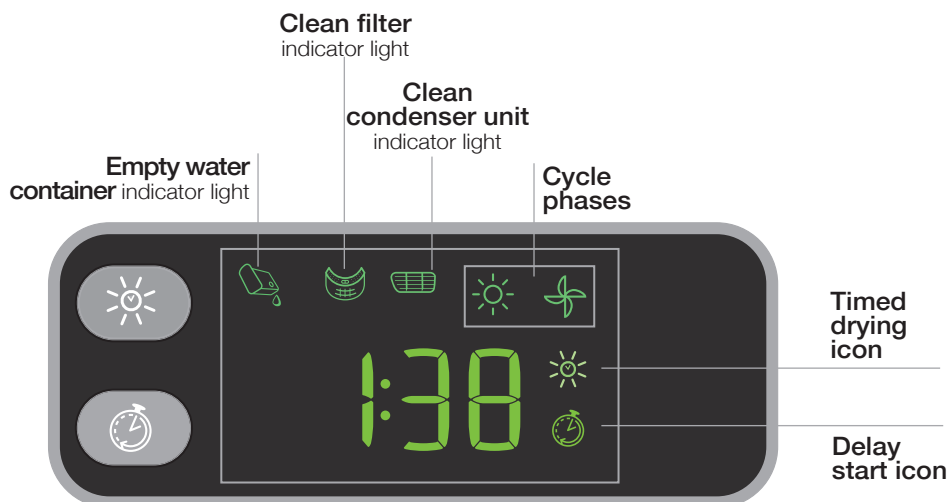
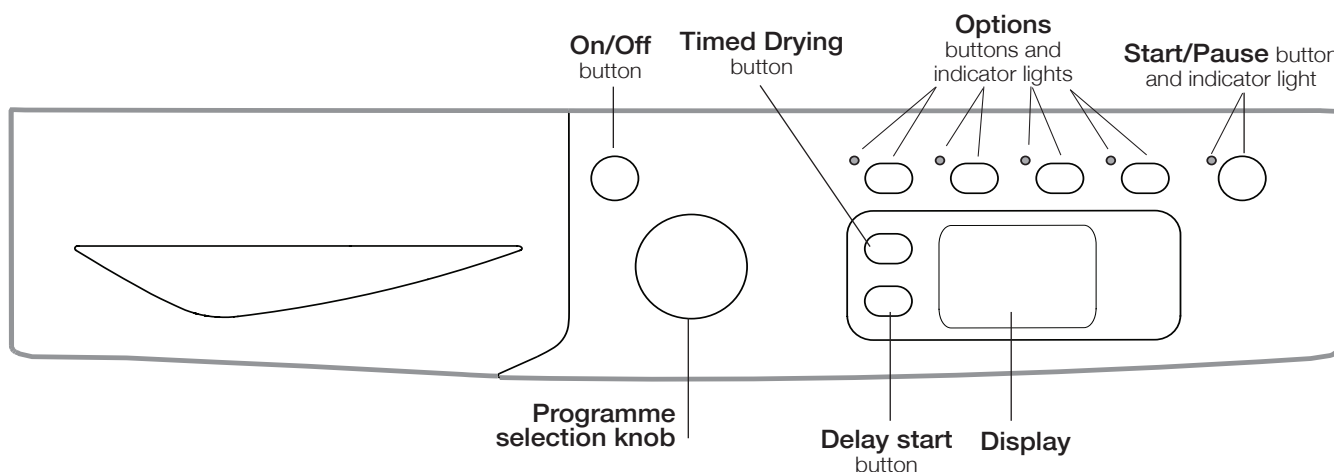
Opening the door



Features



Control panel



ON/OFF/Reset button

Pressing the button normally will cause the machine to switch on or off. If the button is pressed for 3 seconds while the dryer is in use, the machine will switch off and the running cycle will reset.

Programme selection knob

Allows for setting the programme: turn until the indicator points towards the desired programme (see *Starting and selecting a programme*).

Options buttons

Allows selection of the options available for the selected programme. The respective indicator lights turn on when the option has been selected (see *Programmes and options*).

START/PAUSE button and indicator light

When the green light flashes slowly, press the button to start the programme. When the cycle is under way, the indicator light remains on. Press the button again to put the programme in the pause mode; the indicator light turns orange and starts flashing again. Press the button again to resume the programme from the point it was interrupted (see *Starting and selecting a programme*).

Display

In section **A**, the selected “Timed drying” value is displayed; if the “Delay start” function was set, the time remaining to the start of the selected programme will appear.

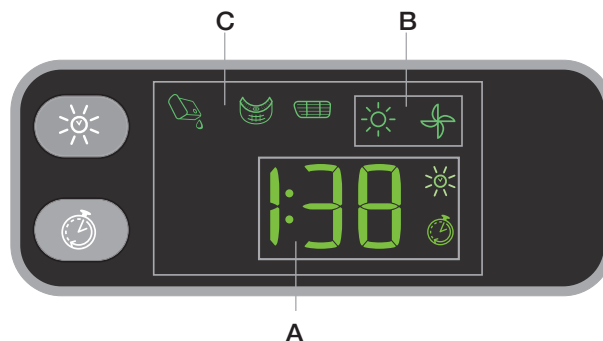
The duration of the selected programme is also displayed in this section.

In section **B**, the phase of the running programme is displayed:

Sun icon ☀️: Drying cycle

Fan icon 🌀: COOL air cycle

In section **C**, the maintenance indicator lights are displayed (Empty water container indicator light 🗑️, Clean filter indicator light 🌀, Clean condenser unit indicator light 📦, see *Indicator lights*).



Indicator lights

The indicator lights provide important information. They indicate the following:

The “Empty water container” indicator light 🗑️ signals that the water container must be emptied.

If the water container fills during the course of the programme, the LED lights up. The dryer automatically starts a cool air cycle and the START/PAUSE LED flashes orange. Press the START/PAUSE button to resume the cycle from the point it was interrupted.

In order to avoid this procedure, always empty the water container after using the tumble dryer (see *Maintenance*).


Before each programme, the “Clean filter” indicator light 🌀 signals the fundamental importance of cleaning the filter before each load (see *Maintenance*).

The “Clean condenser unit” indicator light 📦 signals the fundamental importance of cleaning the condenser regularly (see *Maintenance*).

How to carry out a drying cycle

EN

Starting and selecting a programme

1. Plug the dryer into the power supply socket.
 2. Select the programme according to the type of laundry (see *Laundry*).
 3. Open the door, ensure that the filter is clean and securely placed and that the water container is empty and correctly slotted (see *Maintenance*).
 4. Load the machine, making sure that no piece of laundry gets between the door and the relative seal. Close the door.
 5. Press the ON/OFF button to switch on the machine.
 6. After consulting the programme chart and the indications for each type of fabric (see *Laundry*), turn the Programme selection knob towards the programme corresponding to the type of laundry to be dried (see *Programmes and options*).
! Warning: If the position of the programme selection knob changes after pressing the START/PAUSE button, the selected programme will NOT be modified. To modify the programme, press the START/PAUSE button to put the programme in pause mode (the indicator light flashes orange), then select a new programme and the relative options. Press the START/PAUSE button to start the new programme.
 7. Select the "Timed Drying" function by pressing the timed drying button until the required time is displayed (see *Programmes and options*).
 8. If necessary, set the time of the delayed start and any other options (see *Programmes and options*).
 9. Press the ALARM  button to sound a buzzer signalling the end of the programme.
 10. Press the START/PAUSE button to start the drying cycle. The display will show the approximate time remaining. Laundry can be checked while the drying programme runs and any garments already dry can be removed, while drying continues for the remaining items. After closing the door, press the START/PAUSE button to resume machine operation.
 11. The final COOL TUMBLE phase (i.e. the fabrics are cooled) activates during the last few minutes of the drying programme; always allow this phase to terminate.
 12. At the end of the drying cycle the display shows END.
The buzzer will beep 3 times to let you know that your programme is complete. (Note: If the SOUND option was selected the buzzer beeps 3 times every 30 seconds for 5 minutes).
Open the door, remove the laundry then clean the filter and replace it. Empty the water container and put it back in its slot (see *Maintenance*).
- If the clothes are not removed at the end of the cycle the automatic **Anti Crease** action will, on those programmes with this feature, continue to rotate the drum intermittently for up to 10 hours to minimise creasing. Opening the door or pressing the OFF button will stop the **Anti Crease** action.
13. Disconnect the dryer from the power supply.

Automatic pre-post Anti Crease

This is an automatic function which provides an anti crease treatment both before and after the drying programme. By periodically rotating the drum before the start of the drying cycle, when a delayed start is selected, the formation of creases is prevented. On certain programmes (see the programme table) the drum also rotates periodically at the end of the drying cycle on. This post crease care action continues until either the door is opened or the **OFF** button is pressed.

Standby mode

This tumble dryer, in compliance with new energy saving regulations, is fitted with an automatic standby system which is enabled after about 30 minutes if no activity is detected. Press and hold the **ON/OFF** button until the dryer reactivates.

Programme chart

	Programme	Max. load (kg)	Compatible options	Cycle duration
Energy Saver				The duration of the drying cycles can be checked on the display***
1	Eco Cotton	1	Memo - Alarm – Delay start	
2	Eco Shirts	1	Memo - Alarm – Delay start	
3	Eco Synthetics	1	Memo - Alarm – Delay start	
Cotton				
4	Standard Cotton	Max.	High heat* - Fast Iron - Memo - Alarm – Timed drying – Delay start	
5	Ready to Wear	Max.	High heat* - Memo - Alarm – Timed drying – Delay start	
6	Cotton Hanger	Max.	High heat* - Memo - Alarm – Timed drying – Delay start	
Special				
7	Synthetics	3	Fast Iron - Memo - Alarm – Timed drying – Delay start	
8	Delicates	2	Fast Iron - Memo - Alarm – Timed drying – Delay start	
9	Wool**	1	Fast Iron - Memo - Alarm	
10	Jeans	3	Fast Iron - Memo - Alarm – Delay start	
Sport				
11	Special Shoes**	1 pair	Memo - Alarm	
12	Sportwear	4	Memo - Alarm – Delay start	
13	Sport Light	4	Memo - Alarm – Delay start	
14	Outwear	2	Memo - Alarm – Delay start	
Partial				
	Easy iron**	2,5	Memo - Alarm	
	Refresh**	-	Memo - Alarm	

NOTE: * just with Timed Drying selected; ** This programme is not compatible with **automatic Anti Crease**; *** The duration of these programs will depend on the size of the load, types of textiles, the spin speed used in your washer and any extra options selected.

Special/Sport/Partial Programmes

Energy Saver Cycles

The Energy Saver Cycles reduce energy consumption and so they not only help the environment, they also cut your energy bill! Energy Saver Cycles are available for several different types of fabric, there is one you can use with cottons, there is one specially for shirts and there is one for use with synthetic fabrics. They have all been designed to guarantee excellent drying performance for small loads.

Energy Saver Cycles give the best drying results thanks to perfect temperature regulation and to accurate humidity detection which is optimized to obtain the best result on small load.

COTTON

Standard Cotton: Dries your items to a dryness level that allows you to put your clothes away straight from the dryer.

Ready to Waer: Dries your items to the maximum possible dryness level. Even drier than Standard Cotton.

Cotton Hanger: Dries your items to a dryness level that allows them to finish drying on a hanger in order to minimise ironing.

Delicates

- This is a programme for drying your Delicate Clothes i.e. Acrylics.
- It can be used for load sizes up to **2.0 kg**.
- Loads dried using this programme are usually ready to use, but on some garments may be slightly damp. If this is found try removing the load and open them out or turn inside out then run the programme again for a short period.

Wool Programme

This programme is specific for items that withstand tumble drying and are labelled with the symbol. It is suitable for loads of up to **1 kg** (about 3 jerseys). We recommend turning the garments inside out before drying them. This programme lasts about **1:00** (hrs:mins), although it may last longer depending on the size and density of the load and on the spin speed used during the wash cycle. Garments dried with this programme are usually ready to be worn, although the edges of heavier garments may be slightly damp. Leave them to dry naturally, as an additional drying process may damage them.

Unlike other materials, the shrinking process in wool is irreversible, i.e. the garment does not resume its original dimension and shape. This programme is not suited for acrylic items.

Jeans Programme

This programme is suited for drying cotton denim jeans. Turn the front pockets inside out before drying the jeans. It is suitable for loads of up to **3 kg** (about 4 pairs).

Garments dried using this programme are usually ready to be worn, though edges and seams may be slightly damp. If this occurs, turn the jeans inside out and reactivate the programme for a short while.

Use this cycle for 100% cotton garments only; do not mix dark and light colours and avoid using this programme for garments with embroidery and accessories (elastic strings around the waist area, brooches, etc.); turn pockets inside out.

Special Shoes Programme

This programme is specific for drying sports shoes. The shoes must have been previously washed and spun at a minimum spin speed of **400 revolutions**.


A specific shoe rack is provided and must be used, otherwise the dryer will be damaged if shoes are dried in the drum. Remove the filter from its holder on the front part of the dryer and position the shoe rack.

Place shoelaces inside the shoes then load with the tips of the shoes facing downwards and the soles frontwards.


Drying times vary according to the shape and type of the shoe. If the shoes are not completely dry at the end of the programme, restart the programme.

! Do not dry shoes that have gel or flashing lights inside them. Only dry shoes made of synthetic material or rope. Once the programme ends, remove the shoe rack and replace the filter into its holder

Sportwear Programme

This programme is studied for safely drying garments such as tracksuits and sweatshirts bearing the  symbol. Suitable for loads of up to **4 kg**. We suggest turning garments inside out before drying them.

Sport Light Programme

This programme is designed for safely drying garments such as Fitness suits and shorts bearing the  symbol. It is ideal for those garments that do not need to be dried fully or which have to be ironed. We suggest turning garments inside out before drying them.

Outwear Programme

This programme is specific for drying water-repellent fabrics and sports jackets (e.g. Gore-Tex, polyester, nylon). Drying the garment after a wash cycle has a beneficial effect as it reactivates the garment's water-repellent treatment.

It can be used for loads of up to **2 kg**.

Easy Iron

A short 10-minute programme that relaxes the garment's fibres in order to facilitate ironing and folding.

This programme is particularly recommended for cotton or mixed cotton fabrics.

For optimal results, do not overload the drum (the following values refer to the weight of dry garments):

Fabric: maximum load

Cotton and mixed cotton: **2.5 kg**

Synthetic garments: **2 kg**

Jeans: **2 kg**

Empty the dryer as soon as the programme ends; hang, fold or iron garments then place them in the wardrobe. If this is not possible, repeat the programme.

As this is not a drying programme, it is not to be used for garments that are still wet.

The effect produced by the programme varies according to the characteristics of the each fabric: fabrics such as acrylic fibres or Tencel® do not give the same results as traditional fibres (e.g. cotton).

Refresh

A short programme suitable for refreshing fibres and garments. It lasts about **20 minutes**.

! As this is not a drying programme, it is not to be used for garments that are still wet.

It can be used on any load size but is more effective on smaller loads.

Options

The options allow for customising the selected programme according to one's own needs.

Timed drying

After selecting a programme, press the "Timed drying" button to enter a drying time. Every time this button is pressed, the duration of the selected drying cycle appears on the display. When pressed the first time, the highest allowed value for the selected cycle appears on the display. When pressed each of the following times, the set time is reduced until **OFF** appears.

The buzzer will activate if the timed drying option is not available.

Delay Start

The start of some programmes (see *Programmes and options*) may be delayed up to 24 hours. Before selecting a programme with a delayed start make sure that the water bottle is empty and the filter is clean. The drum will rotate occasionally before the drying programme starts to prevent the formation of creases.

High Heat

When a drying time is selected, pressing this button sets a high heat drying and the indicator light above the button lights up. The timed programmes are pre-set to low heat.

Fast Iron

This option, when selected, delivers for the cycle chosen the best humidity level to help make ironing quicker and easier. This option stops the cycle at the ideal dryness level for ironing thus making ironing easier and faster. (See programme guide and options).

Memo

This option allows you to store your cycle selection along with any associated options and to easily use a previously stored cycle. Delayed start options cannot be stored.

- Press and hold the button MEMO for 3 seconds to store a cycle. You can press this button when the desired cycle and associated options have been selected either before the cycle has started or during the drying cycle. When you press and hold the Memo button the LED flashes as well as the time on the display and after 3 seconds a beep will confirm that the details have been stored.
- To recall the stored cycle simply turn on the dryer, press the memo button and then start the cycle. It is possible to change any of the options in the normal way. Every 2 minutes the stored cycle number will appear on the display. If no cycle has been stored you will hear a beep when the Memo button is pressed.
- A stored programme can be overwritten with a new programme just by repeating the steps outlined above.

Alarm

A buzzer sounds at the end of the drying cycle to signal that the programme has ended and the garments are ready to be removed.

Not all options are available on all programmes (see *Programmes and options*).

Opening the door

If the door is opened (or the START/PAUSE button is pressed) while a programme is running, the dryer stops and the following may occur:

- The START/PAUSE button flashes orange.
- When a delayed start is running, the delay countdown continues. It is necessary to press the START/PAUSE button to resume the "Delay start" programme. The "Delay start" indicator light flashes and the display visualises the time remaining to the start of the selected programme.
- It is necessary to press the START/PAUSE button to resume the programme. The progress indicator lights signal the running phase and the START/PAUSE indicator light stops flashing and turns green.
- During the post anti-crease phase, the programme ends. Pressing the START/PAUSE button reactivates a new programme from the beginning.
- By turning the Programme selection knob, a new programme is selected and the START/PAUSE indicator light flashes green. This procedure can be used to select the COOL drying programme to cool garments if they are judged to be dry enough. Press the START/PAUSE button to start the new programme.

Note: If you have a power cut, switch off the power or remove the plug. When power is restored, plug in the machine, press and hold the **ON/OFF** button until the dryer reactivates, then press Start/Pause button.

Laundry

EN

Sorting laundry

- Check the symbols on the care labels of the various garments to verify whether the garments can be safely tumble dried.
- Sort laundry according to the type of fabric.
- Empty all pockets and check for loose buttons.
- Close zips and hooks and fasten belts and strings without tightening them.
- Wring out garments to remove the maximum amount of water possible.

! Do not load the dryer when garments are dripping wet.

Maximum load sizes

Do not overload the drum.

The following values indicate the weight of dry garments:





Natural fibres: maximum 8 kg

Synthetic fibres: maximum 3 kg

! Do not overload the dryer as this may result in reduced drying performance.

Care labels

Always check the care labels, especially when placing garments in the tumble dryer for the first time. Below are the most commonly used symbols:

-  May be tumble dried.
-  Do not tumble dry.
-  Tumble dry – high heat.
-  Tumble dry – low heat.

Drying times

Drying times are approximate and may vary depending on the following:

- Amount of water retained by items after the spin cycle: towels and delicate items retain a lot of water.
- Fabrics: items of the same fabric, but with different texture and thickness may have different drying times.
- Amount of laundry: single items and small loads may take longer to dry.
- Drying: if items are to be ironed, they can be removed from the dryer while still slightly damp. Items that require complete drying can be left longer.
- Heat setting.
- Temperature of the room: the lower the temperature of the room, the longer it will take for the dryer to dry clothing.
- Bulk: certain bulky items require special care during the drying process. We suggest removing these items and replacing them in the dryer once they have been shaken out: repeat this procedure several times during the course of the drying cycle.

! Do not over-dry items.

All fabrics contain natural dampness which helps to keep them soft and fluffy.

The drying times provided refer to the automatic Cupboard dry programmes.

The Timed drying settings are also indicated to enable you to select the most suitable timed option.

The weight refers to dry items.

Automatic drying times

Cotton High Heat								
Drying times after 800-1000 rpm wash cycles								
	1 kg	2 kg	3 kg	4 kg	5 kg	6 kg	7 kg	8 kg
Automatic (hrs:mins)	0:30-0:40	0:40-0:55	0:55-1:10	1:10-1:20	1:20-1:30	1:35-2:00	2:00-2:20	2:10-2:40
Timed (hrs:mins)	0:30 or 1:00	0:40 or 1:20	0:50 or 1:20	1:00 or 1:40	1:20 or 2:00	2:00 or 2:40	2:20 or 3:00	2:40 or 3:00
Synthetics Low Heat								
Drying times after wash cycles at lower speeds								
	1 kg		2 kg		3 kg			
Automatic (hrs:mins)	0:30 - 0:40		0:40 - 0:50		0:50 - 1:10			
Timed (hrs:mins)	0:30 or 1:00		0:40 or 1:20		1:00 or 1:30			
Acrylics Low Heat								
Drying times after wash cycles at lower speeds								
	1 kg			2 kg				
Automatic (hrs:mins)	0:40 - 1:20			1:00 - 1:40				
Timed (hrs:mins)	0:30			1:00				

If you feel that the dryer is not working properly, consult the following troubleshooting suggestions before contacting the Technical Assistance Centre (see *Assistance*).

The dryer does not start.

- The plug has not been inserted far enough into the socket to make contact.
- There has been a power cut.
- The fuse has blown. Try connecting another appliance to the same socket.
- If an extension cord is used, try connecting the dryer plug directly into the socket.
- The door has not been closed properly.
- The programme has not been set correctly (see *How to carry out a drying cycle*).
- The START/PAUSE button has not been pressed (see *How to carry out a drying cycle*).
- On machines equipped with “Locked” function, check the option is not enabled (see *Programmes and options*).

The drying cycle does not start.

- A delayed start time has been set (see *Programmes and options*).
- The START/PAUSE button has been pressed; a short delay follows before the dryer starts running. Wait for the drying cycle to start; do not press the START/PAUSE button otherwise the dryer switches to the pause mode and the drying cycle will not start.

Drying times are too long.

- The filter has not been cleaned (see *Maintenance*).
- The water container must be emptied? The “Empty water container” indicator light flashes and the message appears **“h2o”** (see *Maintenance*).
- The condenser needs to be cleaned (see *Maintenance*).
- The heat setting is not suited to the type of fabric to be dried (see *Programmes and options*).
- An incorrect drying time was selected for the type of load (see *Laundry*).
- The items are too wet (see *Laundry*).
- The air intake grille are clogged up (see *“Installation” and “Care and Maintenance”*).
- The dryer is overloaded (see *Laundry*).

The “Empty water container” indicator light flashes, but the dryer has been running for a short time.

- The water container was probably not emptied before starting the programme. Do not wait for the signal for emptying the water container, but always check and empty it before starting a new drying programme (see *Description of the tumble dryer*).

The “Empty water container” indicator light is on but the water container is not full.

- It is normal: the “Empty water container” indicator light flashes when the water container is full. If the indicator light is on but is not flashing, it is just a reminder to empty the container (see *Description of the tumble dryer*).

The programme is finished but the items are damper than expected.

- ! For safety reasons, the dryer programmes last a maximum of 5 hours. If an automatic programme has not detected the final dampness level required in this interval, the dryer completes the programme and stops. Check the above points and repeat the programme; if the items are still damp, contact the Technical Assistance Centre (see *Assistance*).

The code “F” appears on the display followed by one or two numbers, the options indicator lights and the pause indicator light flash.

- If the display shows a fault, switch the appliance off and unplug it, then clean the filter and the Heat Pump Filter unit (see *Maintenance*). Reinsert the plug, switch the appliance on and start another programme. If the display still visualises a fault, contact the Technical Assistance Centre (see *Assistance*). If the display still visualises other numbers, mark the code and contact the Technical Assistance Centre (see *Assistance*).

“dOn” briefly appears on the display every 6 seconds.

- The appliance is in “Demo” mode. Press the ON/OFF and START/PAUSE buttons and keep them pressed for 3 seconds. The display visualises **“dOn”** for 3 seconds, then the dryer starts functioning normally.

The “Remaining time” indicator changes during the drying cycle.

- The remaining time is constantly monitored during the drying cycle and is updated to show the best forecast. It is normal for the displayed time to increase during the cycle.

The dryer is noisy during the first few minutes of operation.

- This is normal, especially if the dryer has not been used for a long time. If the noise persists during the entire cycle, contact the Technical Assistance Centre.

The lights on the dryer control panel are off although the dryer is switched on.

- The dryer has gone into standby mode to save power. This occurs if you have left the dryer on or have had a power cut. It occurs after 30 minutes:
 - if you leave the dryer without starting a programme;
 - after your drying programme has finished.Press the On/Off button and the lights will come on again.

Assistance

EN

Before calling the Technical Assistance Centre:

- Follow the troubleshooting guide to check whether problems can be solved personally (see *Troubleshooting*).
- If not, switch the dryer off and contact the Technical Assistance Centre closest to you.

Provide the following data when contacting the Technical

Assistance Centre:

- name, address and postal code
- telephone number
- type of malfunction
- date of purchase
- the appliance model (Mod.)

- the dryer's serial number (S/N)

This information can be found on the Rating plate located behind the door.

Spare parts

This dryer is a complex machine. Attempting to repair it personally or with the aid unqualified personnel may put the safety of people at risk, damage the machine or invalidate the spare parts guarantee.

Always contact a qualified technician when experiencing problems with this machine.

Product Guarantee And Repair Information

Guarantee

12 Months Parts and Labour Guarantee

Your appliance has the benefit of our manufacturer's guarantee, which covers the cost of breakdown repairs for twelve months from the date of purchase.

This gives you the reassurance that if, within that time, your appliance is proven to be defective because of either workmanship or materials, we will, at our discretion, either repair or replace the appliance at no cost to you:

This guarantee is subject to the following conditions:

- The appliance has been installed and operated correctly and in accordance with our operating and maintenance instructions.
- The appliance is used only on the electricity or gas supply printed on the rating plate.
- The appliance has been used for normal domestic purposes only.
- The appliance has not been altered, serviced, maintained, dismantled, or otherwise interfered with by any person not authorised by us.
- Any repair work must be undertaken by us or our appointed agent.
- Any parts removed during repair work or any appliance that is replaced become our property.
- The appliance is used in the United Kingdom or Republic of Ireland.

The guarantee does not cover:

- Damage resulting from transportation, improper use, neglect or interference or as a result of improper installation.
- Replacement of any consumable item or accessory. These include but are not limited to: plugs, cables, batteries, light bulbs, fluorescent tubes and starters, covers and filters.
- Replacement of any removable parts made of glass or plastic.

THIS GUARANTEE WILL NOT APPLY IF THE APPLIANCE HAS BEEN USED IN COMMERCIAL OR NON-DOMESTIC PREMISES.

Repairs and After Sales

For product help and advice, repairs, spare parts or accessories, we're here to help.

For local repair engineers - **03448 111 606** ROI - **0818 313 413** UK standard local rate applies ROI local Irish rate applies

For Parts and Accessories visit: parts.indesit.co.uk/shop

Please remember to register your appliance at www.indesit-service.co.uk to activate your 10 year parts guarantee.

Please note, our advisors will require the following information: model number, serial number.

This information can be found on the data plate located behind the door.

Information on recycling and disposal

As part of our continual commitment towards environmental protection, we reserve the right to use recycled quality components to reduce costs for our customers and to minimise materials wastage.

- Disposing of the packaging materials: follow local regulations to allow for recycling of packaging materials.
- In order to minimise the risk of injury to children, remove the door and plug, then cut the power supply cord flush with the appliance. Dispose of these parts separately to prevent the appliance from being connected to a power supply socket.

Disposal of old household appliances



European Directive 2012/19/EC concerning Waste Electrical and Electronic Equipment (WEEE) states that household appliances should not be disposed of using the normal solid urban waste cycle. Exhausted appliances should be collected separately in order to optimise the cost of re-using and recycling materials comprising the machine, while preventing potential damage to public health and the environment. The crossed-out wheeled bin symbol appears on all products to remind owners of the obligations regarding separate waste collection.

Owners should contact their local authorities or appliance dealers for further information concerning the correct disposal of household appliances.



This appliance conforms to the following EU directives:

- **2006/95/EC (Low Voltage Directive)**
- **2004/108/EC (Electromagnetic Compatibility Directive).**


SECADORA

ES

Español

IDCE G45 B H

www.indesit.com

 Este símbolo te recuerda que debes leer este manual de instrucciones.

! Mantenga al alcance de la mano el presente manual para poder consultarlo fácilmente ante cualquier necesidad. El manual siempre debe estar cerca de la secadora, si el aparato es vendido o cedido a terceros, recuerde entregarlo con su manual, de este modo se permitirá a los nuevos propietarios conocer las advertencias y las sugerencias sobre el uso de la secadora.

! Lea atentamente estas instrucciones: las páginas siguientes contienen importante información sobre la instalación y consejos útiles sobre el funcionamiento del electrodoméstico.

Índice

Instalación, 18

Dónde instalar la secadora
Aireación
Conexión eléctrica
Información preliminar

Advertencias, 20

Seguridad general
Ahorro energético y respeto del medio ambiente

Cuidados y mantenimiento, 22

Interrupción de la alimentación eléctrica
Limpieza del filtro después de cada ciclo
Control del cesto después de cada ciclo
Vaciado del contenedor de recolección del agua después de cada ciclo
Limpieza de la unidad de condensación
Limpieza de la secadora

Descripción de la secadora, 24

Características
Panel de control

Cómo realizar un secado, 26

Puesta en funcionamiento y selección del programa

Programas y opciones, 27

Tabla de programas
Programas Especiales/Sport/Parciales
Opciones
Abertura de la puerta

Ropa, 30

Subdivisión de la ropa
Etiquetas de mantenimiento
Tiempos de secado

Problemas y soluciones, 31

Asistencia Técnica, 32

Repuestos
Información para el reciclaje y el desguace

ES

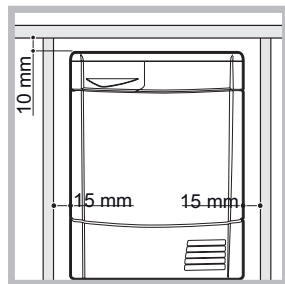
Instalación

ES

Dónde instalar la secadora

• Las llamas pueden averiar la secadora, por lo tanto, debe estar alejada de cocinas a gas, estufas, radiadores o encimeras.

Si el electrodoméstico debe instalarse debajo de una encimera, es necesario dejar un espacio de 10 mm entre el panel superior del electrodoméstico y los otros objetos dispuestos encima de la misma, y un espacio de 15 mm entre los lados del electrodoméstico y las paredes o las decoraciones dispuestas al costado del mismo. De este modo se garantiza una circulación de aire adecuada. El aparato debe instalarse con la superficie trasera colocada contra una pared.



Aireación

• Cuando la secadora está en funcionamiento debe haber una aireación suficiente. Controle que se instale la secadora en un ambiente que no sea húmedo y que esté dotado de una adecuada circulación de aire. El flujo de aire alrededor de la secadora es fundamental para permitir que se condense el agua producida durante el lavado; la secadora no funciona de forma correcta si se coloca en un espacio cerrado o dentro de un mueble.

! Si la secadora se utiliza en una habitación pequeña o fría es posible que se forme algo de condensación.

! No se aconseja instalar la secadora en un armario; el electrodoméstico nunca debe instalarse detrás de una puerta que se cierra con llave, una puerta corrediza o una puerta con los goznes en el lado opuesto a la puerta de la secadora.

Descarga de agua

Si la máquina se coloca cerca de un tubo de desagüe es posible hacer salir el agua condensada directamente sin tener que utilizar el contenedor de recolección de agua.

En este caso, ya no es necesario vaciar el contenedor de recolección del agua después de cada ciclo.

Si la secadora se coloca encima o al costado de una lavadora, ambas pueden compartir el desagüe. Basta desconectar el tubo indicado en la figura **A** y conectarlo a al desagüe.

Si el desagüe se encuentra más lejos que la longitud del tubo, para alcanzarla es posible comprar y conectar un tubo del mismo diámetro y del largo necesario.

Para instalar el tubo nuevo basta cambiar el tubo presente como se indica en la figura **B** introduciéndolo en la misma posición.

! El desagüe debe estar 1 m más abajo del fondo de la secadora.

! Después de instalar la secadora asegurarse que el tubo de desagüe no esté doblado ni torcido.

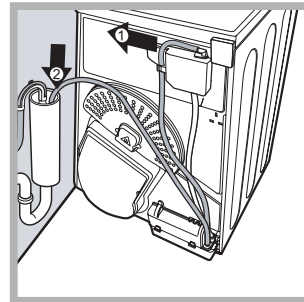


Fig. A

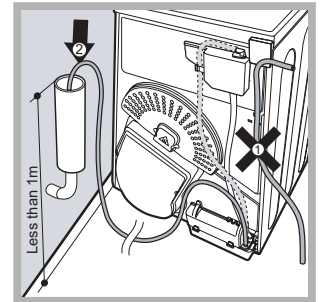


Fig. B

Conexión eléctrica

Antes de introducir el enchufe en la toma eléctrica compruebe lo siguiente:

- Asegurarse que las manos estén secas.
- La toma debe poseer una conexión a tierra.
- La toma debe ser capaz de tolerar la potencia máxima prevista para la máquina, indicada en la placa de los datos de funcionamiento (*ver Descripción de la secadora*).
- La tensión de alimentación debe estar comprendida entre los valores indicados en la placa de datos de funcionamiento (*ver Descripción de la secadora*).
- La toma debe ser compatible con el tipo de enchufe de la secadora. Si no es así, sustituya la toma o el enchufe.

! NO UTILICE PROLONGACIONES.

! La secadora no puede instalarse en ambientes externos, ni siquiera si están resguardados. En efecto, es posible que sea muy peligroso exponer este electrodoméstico a la lluvia o a las tormentas.

! Después de la instalación de la secadora el cable eléctrico y el enchufe deben quedar a mano.

! El cable eléctrico no debe doblarse ni aplastarse.

! Si el enchufe a cambiar está incorporado, se debe eliminar de forma segura. NUNCA lo deje para que pueda ser conectado a una toma y provoque descargas eléctricas

! El cable eléctrico debe controlarse periódicamente. Si está dañado, el cable de alimentación debe sustituirse por el fabricante, su servicio de asistencia u otro personal calificado con el fin de evitar peligros. (ver *Asistencia Técnica*). Los cables eléctricos nuevos o más largos son suministrados por los revendedores autorizados con un costo adicional .

! El fabricante declina cualquier responsabilidad si no cumplen estas reglas.

! Si existen dudas respecto a lo indicado, llame a un electricista calificado.

Información preliminar

Una vez instalada la secadora, antes de ponerla en funcionamiento limpie dentro del cesto y elimine la suciedad que puede haberse acumulado durante el transporte.

Máximas dimensiones de carga: 8 kg


Ficha De Producto - Norma 392/2012.	
Marca	Indesit
Modelo	IDCE G45 B H (EU)
Capacidad nominal para ropa de algodón utilizando el "programa algodón normal" con carga máxima - kg	8.0
Esta secadora de tambor doméstica es	Condensador
Clase de eficiencia de energía sobre una escala de A+++ (bajo consumo) a D (alto consumo)	B
Consumo de energía anual ponderado (AEC)* kWh 1)	559.8
Esta secadora de tambor doméstica es	Automática
Consumo de energía con carga máxima; Edry- kWh 2)	4.77
Consumo de energía con carga parcial; Edry½,- kWh 2)	2.53
Consumo de energía: modo off (Po) - Watts	0.14
Consumo de energía: modo left-on (Pl) - Watts	2.39
Duración del modo "left-on" para el sistema de gestión de energía - minutos	30
Progr. Tiempo - carga máxima y parcial ponderada (Tt) - minutos 3)	104
Carga máxima (Tdry) - minutos	139
Carga parcial" (Tdry½) - minutos	78
Clase de eficiencia de condensación en una escala de G (menos eficiente) a A (más eficiente)	B
Eficiencia de condensación promedio - %	
carga máxima y parcial ponderada (Ct) 3)	81
carga máxima Cdr	82
carga parcial Cdry½	80
Emisiones de ruido acústico aéreo - dB(A) re 1 pW	68.0
1) El "programa algodón normal" con carga total y el "programa algodón estándar" con carga parcial son los programas estándar a los que se refieren los datos de la etiqueta y de la ficha. Estos programas sirven para dejar las prendas de algodón listas para guardar (0%) y son los más eficientes en términos de consumo de energía. La carga parcial equivale a la mitad de la carga nominal.	
2) Consumo anual basado en 160 ciclos de secado con el programa algodón normal con carga máxima y parcial, en modos de baja potencia. El consumo real de energía por ciclo depende de cómo se utilice el aparato.	
3) Promedio ponderado de 3 ciclos con carga total y 4 ciclos con carga parcial.	
Norma 932/2012.	
Sintético: consumo de energía con carga máxima; kWh	1.41
Sintético: Carga máxima - minutos	65
Sintético: ccarga parcial N/A	

Advertencias

ES

! Este electrodoméstico ha sido diseñado y fabricado respetando las normas internacionales sobre seguridad. Estas advertencias se suministran por motivos de seguridad y deben ser cumplidas atentamente.

Seguridad general

- La presente secadora puede utilizarse por personas (incluidos los niños a partir de 8 años) con capacidad física, sensorial o mental reducida o sin experiencia y conocimiento, a condición de que sean vigiladas o reciban las instrucciones de uso del dispositivo por parte de una persona responsable de su seguridad.
- Esta secadora ha sido proyectada para uso doméstico y no profesional.
- No tocar el electrodoméstico con los pies descalzos o con las manos o los pies mojados.
- Desconectar el electrodoméstico de la red de alimentación tirando del enchufe y no del cable.
- Después del uso apagar la secadora y desconectarla de la red de alimentación. Mantener la puerta cerrada para evitar que los niños puedan utilizar la secadora como un juego.
- Los niños deben ser vigilados para asegurarse que no jueguen con la secadora.
- El mantenimiento y la limpieza no deben ser realizados por niños sin vigilancia.
- Los niños de edad inferior a 3 años deben mantenerse alejados de la secadora en ausencia de vigilancia constante.
- El electrodoméstico debe instalarse de forma correcta y debe airearse adecuadamente. La toma de aire en la parte frontal de la secadora y los respiraderos en la parte trasera no deben estar nunca obstruidos (ver instalación).
- No utilizar nunca la secadora sobre la moqueta cuando la altura del pelo sea tal que impida la entrada de aire a través de la base de la secadora.
- Comprobar que la secadora esté vacía antes de cargarla.
-  La parte posterior de la secadora puede calentarse mucho: no tocarla nunca cuando la máquina está funcionando.
- No utilice la secadora a menos que el filtro, el recipiente de agua y el condensador estén correctamente instalados (ver Mantenimiento).
- No sobrecargar la secadora (ver Ropa para las máximas dimensiones de carga).
- No introducir prendas totalmente mojadas.
- Cumplir escrupulosamente con todas las instrucciones de las etiquetas para el lavado de las prendas (ver Ropa).
- No cargar prendas grandes, demasiado voluminosas.
- No secar fibras acrílicas a alta temperatura.
- No apagar la secadora cuando contiene aún prendas calientes.
- Limpiar el filtro después de cada uso (ver Mantenimiento).
- Vaciar el contenedor de recolección de agua después de cada uso (ver Mantenimiento).
- Limpie la unidad del condensador después de intervalos periódicos (ver Mantenimiento).
- Evitar la acumulación de pelusa dentro de la secadora.
- No subirse al panel superior de la secadora ya que podría dañarse la máquina.
- Respetar siempre las normas y las características eléctricas (ver instalación).
- Comprar siempre accesorios y recambios originales (ver Asistencia).

Para minimizar el riesgo de incendio en la secadora, deberá seguir las siguientes precauciones:

- Seque las prendas únicamente si se han lavado con detergente y agua, se han aclarado y centrifugado. Existe el peligro de incendio si se secan artículos que NO se han lavado con agua.
- No seque prendas que hayan sido tratadas con productos químicos.
- No seque prendas que se hayan manchado o empapado con aceites vegetales o aceites de cocina, ya que constituyen un peligro de incendio. Las prendas manchadas de aceite pueden inflamarse de forma espontánea, especialmente cuando están expuestas a fuentes de calor como una secadora. Las prendas se calientan, causando una reacción de oxidación con el aceite, y a su vez, la oxidación crea calor. Si el

calor no puede escapar, las prendas pueden calentarse lo suficiente para arder. Apilar o guardar prendas manchadas de aceite puede evitar que el calor escape y constituir un peligro de incendio.

Si es inevitable meter en la secadora tejidos que contienen aceite vegetal o de cocina o prendas manchadas con productos de cuidado capilar, dichas prendas deberán lavarse primero con detergente extra; de este modo se reducirá el peligro, aunque no se eliminará del todo. No deberán sacarse de la secadora y apilarse mientras estén calientes.

- No seque prendas que se hayan limpiado o lavado en, o empapado con o manchado de petróleo o gasolina, disolventes de limpieza en seco u otras sustancias inflamables o explosivas. Las sustancias altamente inflamables utilizadas comúnmente en entornos domésticos, como el aceite para cocinar, la acetona, el alcohol desnaturalizado, el queroseno, los quitamanchas, el aguarrás, las ceras y los limpiadores de cera. Compruebe que estas prendas se hayan lavado en agua caliente con una cantidad extra de detergente antes de secarlas en la secadora.
- No seque prendas que contengan goma espuma (también conocida como espuma látex), o materiales de textura similar. Al calentarse, los materiales de goma espuma producen fuego por combustión espontánea.
- No deben utilizarse en la secadora suavizantes o productos similares para eliminar los efectos de la electricidad estática, a menos que lo haya recomendado específicamente el fabricante del suavizante.
- No seque ropa interior que contenga refuerzos metálicos, por ejemplo, sujetadores con varillas de refuerzo metálicas. La secadora puede dañarse si los refuerzos metálicos salen durante el secado.
- No seque prendas de caucho o plástico como gorros de ducha o que contengan goma espuma (también conocida como espuma látex), o protecciones impermeables para bebés, polietileno o papel.
- No seque prendas con refuerzo de caucho, con almohadillas de goma espuma, cojines, chanclas y zapatillas de tenis revestidas de caucho.

- Vaciar los bolsillos de todos los objetos, como encendedores o fósforos.

! ATENCIÓN: no detener nunca la secadora antes del final del ciclo de secado a menos que todas las prendas no sean quitadas con rapidez y se extiendan para disipar el calor.

Ahorro energético y respeto por el medio ambiente

- Antes de secar las prendas, estrujarlas para eliminar la mayor cantidad de agua posible (si se utiliza antes la lavadora programar un ciclo de centrifuga). De este modo se ahorra energía durante el secado.
- Utilizar siempre la secadora con la carga completa, así se ahorra energía: prendas separadas y pequeñas cargas requieren más tiempo para secarse.
- Limpiar el filtro al final de cada ciclo para contener los costos relativos al consumo energético (ver mantenimiento).

Cuidados y mantenimiento

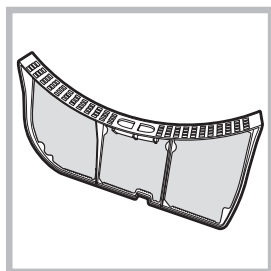
ES

Interrupción de la alimentación eléctrica

! Desconecte la secadora cuando no esté funcionando, del mismo modo durante las operaciones de limpieza y mantenimiento.

Limpeza del filtro después de cada ciclo

El filtro es un componente fundamental del secado: su función es la de recoger los residuos de lana y la pelusa que se forman durante el secado.

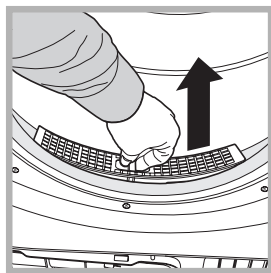


Al finalizar el secado limpie el filtro aclarándolo debajo de agua corriente o limpiándolo con una aspiradora. Si el filtro se atasca, el flujo de aire en el interior de la secadora se verá gravemente comprometido: los tiempos de secado

se prolongan y se consume más energía. Además, pueden producirse averías en la secadora.

El filtro se encuentra delante de la guarnición de la secadora (ver figura).

Remoción del filtro:



1. Tire hacia arriba la manija de plástico del filtro (ver la figura).
2. Elimine la pelusa del filtro y colóquelo correctamente. Controle que el filtro se introduzca completamente a ras de la guarnición de la secadora.

! No utilice la secadora si antes no se coloca el filtro en su lugar.

Control del cesto después de cada ciclo

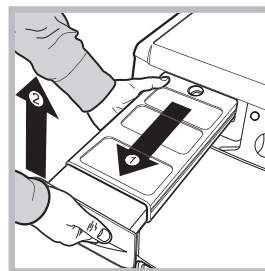
Gire el cesto manualmente para quitar las prendas más pequeñas (pañuelos) que podrían quedar dentro de la secadora.

Limpeza del cesto

! Para la limpieza del cesto no utilice elementos abrasivos, esponja de acero o agentes de limpieza para acero inoxidable.

Podría formarse una pátina coloreada en el cesto de acero inoxidable, fenómeno que podría generarse por una combinación de agua con agentes de limpieza como suavizantes de lavado. Esta pátina de color no tiene ningún efecto sobre las prestaciones de la secadora.

Vaciado del contenedor de recolección del agua después de cada ciclo



Saque el contenedor de la secadora y vacíelo en un fregadero o en otro espacio de descarga adecuado, luego vuelva a posicionarlo de forma correcta.

Siempre se debe controlar el contenedor de recolección y vaciarlo antes de comenzar un programa nuevo de secado.

Si el contenedor de recolección no se vacía, el agua podría ocasionar que:

- Se detenga el calentamiento de la máquina (por lo tanto la carga podría estar todavía húmeda al finalizar el ciclo de secado).

- El led "Vaciar cubeta" se ilumine para advertir que el contenedor está lleno.

Carga del sistema de recolección de agua

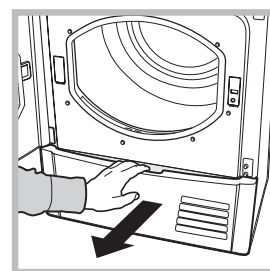
Cuando la secadora es nueva, el contenedor de recolección de agua no recoge hasta que el sistema no se carga. Esta operación puede implicar 1 o 2 ciclos de secado. Una vez cargado, el sistema recoge agua en cada ciclo.

Limpeza de la unidad de condensación

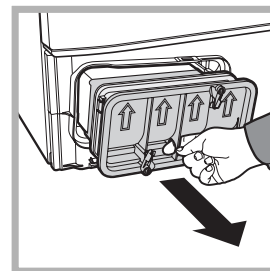
• Quite periódicamente (cada mes) la unidad de condensación y elimine la pelusa acumulada en las placas aclarándola debajo del grifo de agua fría haciéndola correr por el lado posterior del condensador.

Remoción del condensador:

1. Desconecte la secadora de la red eléctrica y abra la puerta.
2. Abra la tapa del condensador (ver figura), desbloquee los tres topes girándolos 90° en sentido antihorario, luego extraiga el condensador tirando del pomo.



3. Limpie la superficie de las guarniciones y vuelva a posicionar la unidad con las flechas dirigidas hacia arriba, asegurándose que los topes estén bien fijados.



Limpieza de la secadora

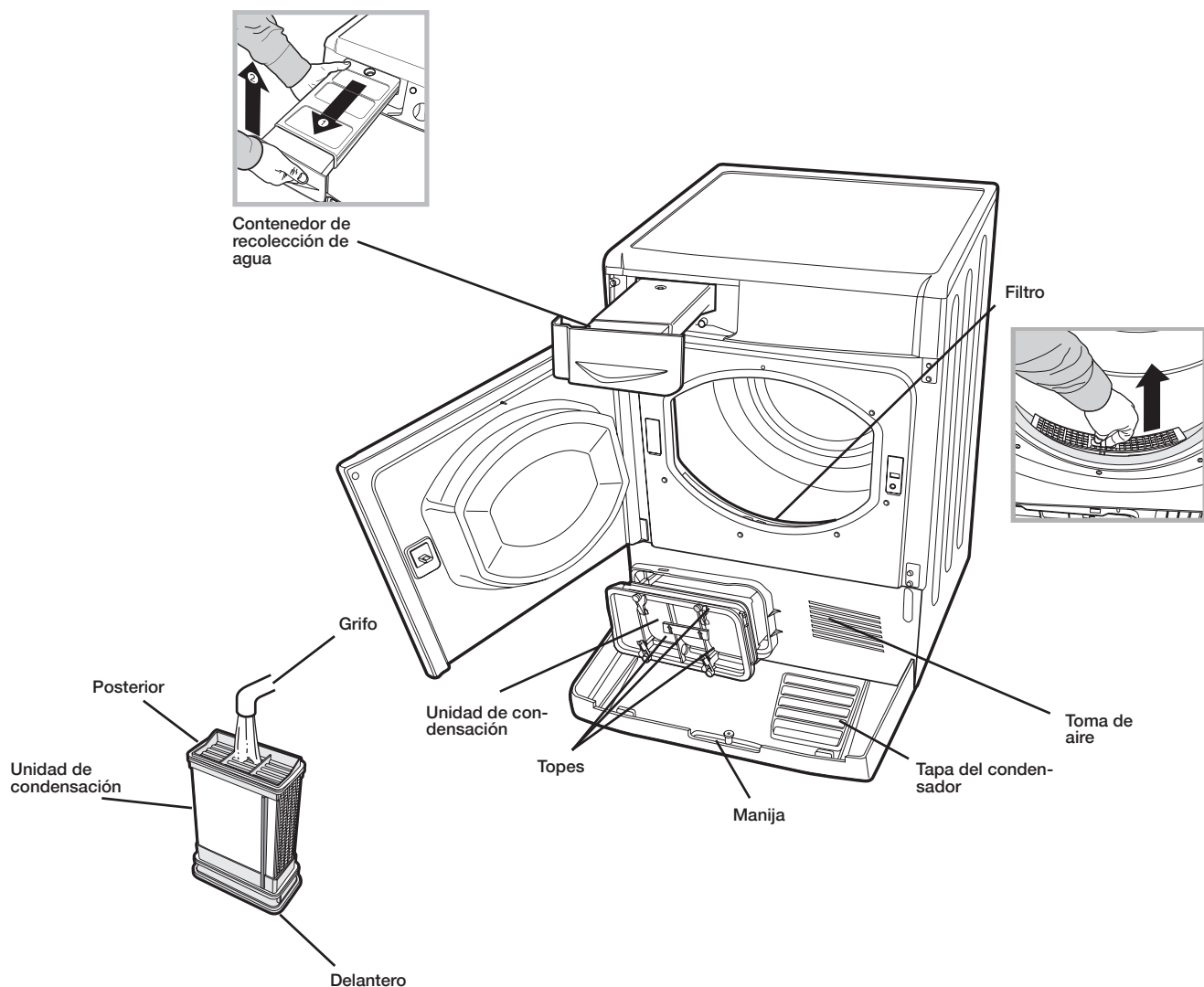
- Las partes externas de metal o de plástico y las partes de goma pueden limpiarse con un paño húmedo.
- Periódicamente (cada 6 meses) limpie con una aspiradora la rejilla de la toma de aire frontal y los respiraderos en la parte trasera de la secadora para quitar la pelusa acumulada, residuos de lana y polvo. También se deben quitar las acumulaciones de pelusa de la parte frontal del condensador y de las zonas del filtro, utilizando ocasionalmente la aspiradora.

! No use solventes ni elementos abrasivos.

! Haga controlar con regularidad la secadora por personal técnico autorizado para garantizar la seguridad de las piezas eléctricas y mecánicas (ver *Asistencia Técnica*).

Consejos Rápidos

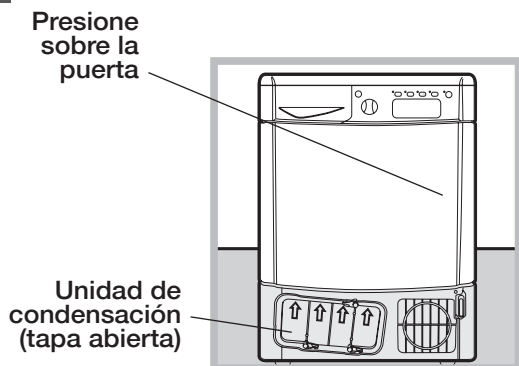
- ! Recuerda limpiar el filtro y la unidad de condensación tras cada secado.
- ! Recuerda vaciar el contenedor de recolección de agua tras cada carga.
- ! Procediendo de esta manera ¡podrás obtener el máximo de prestaciones!



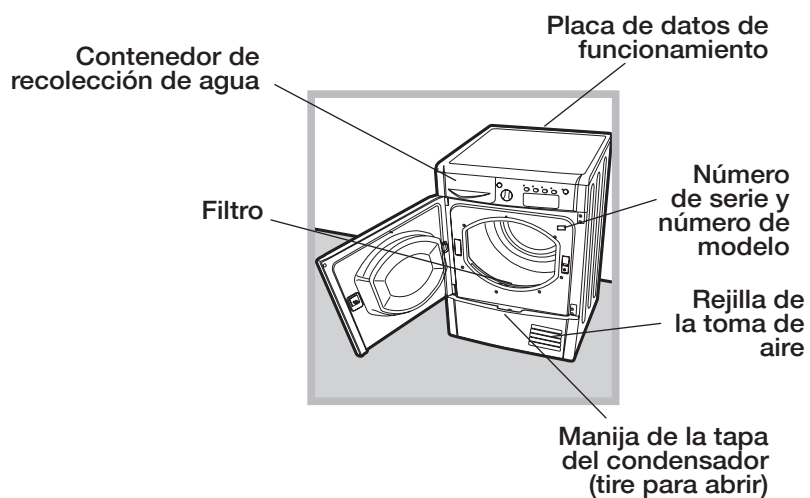
Descripción de la secadora

ES

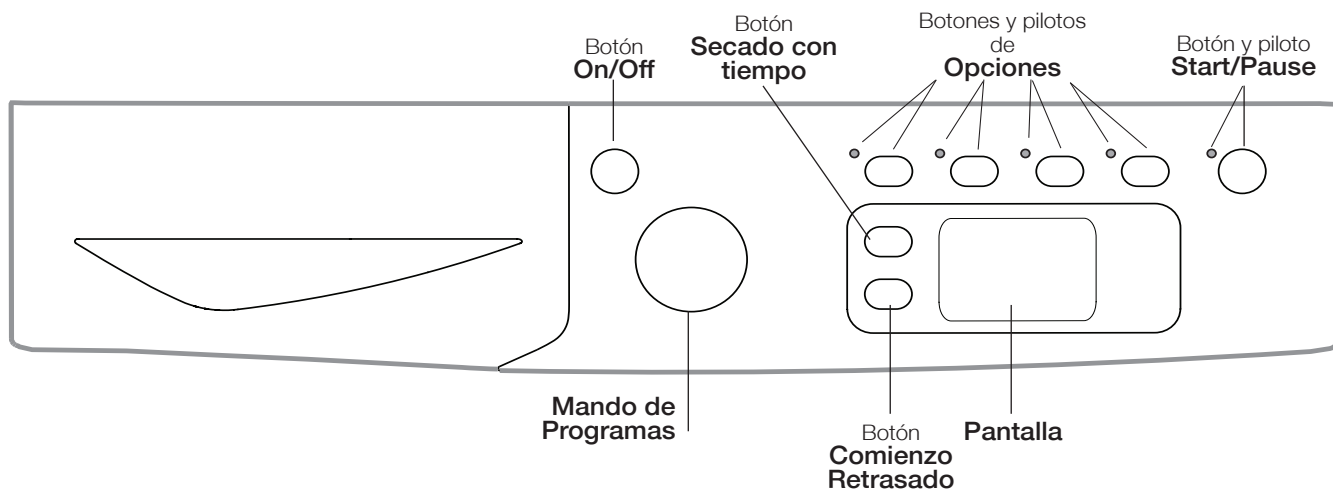
Abertura de la puerta



Características



Panel de control



Botón ON/OFF/Reset

Presionar en forma normal el botón para encender y apagar el aparato. Si la secadora está en funcionamiento, una presión prolongada durante 3 segundos apaga el aparato y reactivar el ciclo en curso.

Mando de Programas

Permite seleccionar el programa : gire hasta que el indicador esté orientado hacia el programa deseado (ver *Puesta en marcha y Selección del programa*).

Botones de opciones

Permiten elegir las opciones disponibles para el programa seleccionado. Los pilotos se encienden para señalar que la opción ha sido seleccionada (ver *Programas y opciones*).

Botón y piloto START/PAUSE

Cuando el piloto verde centellea lentamente, presione el botón para que comience el programa. Cuando el ciclo ha comenzado, el piloto de señalización permanece siempre encendido. Para poner el programa en pausa, presione nuevamente el botón; el piloto se vuelve de color anaranjado y comienza de nuevo a centellear.

Para reactivar el programa a partir del punto en el que había sido interrumpido, presione nuevamente el botón (ver *Puesta en marcha y Selección del programa*).

Pantalla

En la sección **A** se visualiza el valor del “Secado con Tiempo” elegido; si se hubiera seleccionado un “Comienzo retrasado” se visualiza el tiempo que falta para el comienzo del programa.

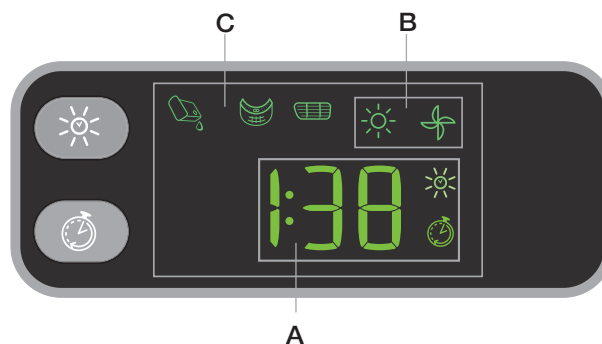
En esta sección se visualiza también la duración del programa elegido.

En la sección **B** se visualiza la fase del programa en curso:

Icono sol ☀️: Secado

Icono ventilador 🌀: Ciclo de aire frío

En la sección **C** los pilotos de mantenimiento (Piloto vaciar cubeta 🗑️, Piloto limpieza de filtro 🌀, Piloto de limpieza del condensador 📄), ver *Pilotos*.



Pilotos

Los pilotos suministran información importante. He aquí lo que nos dicen:

El Piloto “vaciar cubeta” 🗑️ indica que es necesario vaciar el contenedor de recolección de agua.

Si el contenedor se llena durante el desarrollo del programa, el led se enciende. Automáticamente la secadora pone en marcha el ciclo de aire frío y el led START/PAUSE se vuelve color ámbar. Para volver a poner en funcionamiento el ciclo a partir del punto en el que había sido interrumpido, presione el botón START/PAUSE.

Para evitar este procedimiento, vacíe siempre el contenedor de recolección de agua cada vez que se utiliza la secadora (ver *Mantenimiento*).


El Piloto de limpieza del filtro 🌀 recuerda, antes de cada programa, que es fundamental limpiar el filtro cada vez que se utiliza la secadora (ver *Mantenimiento*).

El Piloto de limpieza del condensador 📄 recuerda que es fundamental limpiar el condensador periódicamente (ver *Mantenimiento*).

Cómo realizar un secado

ES

Puesta en marcha y selección del programa

1. Introduzca el enchufe de la secadora en la toma de alimentación eléctrica.
2. Seleccione el programa en función del tipo de ropa (*ver Ropa*).
3. Abra la puerta y controle que el filtro esté limpio y en posición y que el contenedor de recolección de agua esté vacío y colocado correctamente (*ver Mantenimiento*).
4. Cargue la máquina teniendo cuidado que ninguna prenda se interponga entre la puerta y la junta. Cierre la puerta.
5. Presione el botón ON/OFF para poner en funcionamiento la máquina.
6. Gire el mando de Programas hasta que el indicador esté orientado hacia el programa correspondiente al tipo de tejido que se va a secar, consultando la tabla de programas (*ver Programas y opciones*) y las indicaciones para cada tipo de tejido (*ver Ropa*).
! Atención: si después de haber presionado el botón de START/PAUSE, se cambia la posición del mando de programas, la nueva posición NO modifica el programa seleccionado. Para modificar el programa, presione el botón START/PAUSE que pondrá en pausa el programa (el piloto centellea de color anaranjado), elija el nuevo programa y las opciones correspondientes. Presione el botón START/PAUSE para poner en marcha el programa nuevo.
7. Elija el "Secado por tiempo" presionando el correspondiente botón hasta que se alcance el nivel o el tiempo deseado (*ver Programas y opciones*).
8. Si fuera necesario fije el tiempo de comienzo retrasado y las otras opciones (*ver Programas y opciones*).
9. Si se desea que el indicador acústico se active al finalizar el programa, presione el botón ALARMA .
10. Para comenzar presione el botón START/PAUSE. En la pantalla aparece el tiempo residual estimado. Durante el programa de secado es posible controlar la ropa y sacar las prendas que se hayan secado dejando que las otras continúen. Después de cerrar la puerta, presione START/PAUSE para poner de nuevo en funcionamiento la máquina.
11. Durante los últimos minutos de los programas de secado, comienza la fase final de SECADO EN FRÍO (los tejidos son enfriados); es necesario dejar siempre que esta fase termine.
12. Al finalizar el programa, suena 3 veces una señal acústica y la pantalla indica END (Nota: si se ha seleccionado la opción ALARMA, la señal sonará 3 veces cada 30 segundos durante 5 minutos). Abra la puerta, saque la ropa, limpie el filtro y vuelva a colocarlo en su lugar. Vacíe el contenedor de recolección de agua y vuelva a colocarlo en su posición (*ver Mantenimiento*).

Si la ropa no se retira al finalizar el ciclo, la acción **Anti Arruga automática** de los programas que poseen esta función hará girar el tambor intermitentemente durante un lapso de hasta 10 horas para reducir el arrugamiento al mínimo. La apertura de la puerta o el accionamiento del botón **ON/OFF** detiene la acción Anti Arruga.

13. Desconecte la secadora de la red eléctrica.

Anti Arruga Automática

Se trata de una función automática que ejecuta un tratamiento contra el arrugamiento antes y después del secado. Al girar periódicamente el tambor antes de comenzar el ciclo de secado, en caso de arranque diferido, se previene la formación de arrugas. En ciertos programas (*ver la tabla de programas*) el tambor gira periódicamente también al finalizar el ciclo de secado. Esta acción contra el arrugamiento continúa hasta la apertura de la puerta o el accionamiento del botón **ON/OFF**.

Modalidad de stand by

Esta secadora está en conformidad con las nuevas normativas vinculadas al ahorro energético. Está dotada de un sistema de auto-apagado (stand by) que, en caso de no funcionamiento, se activa pasados aproximadamente 30 minutos. Pulsar y mantener pulsada la tecla **ON/OFF** hasta que la secadora se reactive.

Tabla de programas

	Programa	Carga máx. (kg)	Opciones compatibles	Duración del ciclo	
Energy Saver					
1	Eco Algodón	1	Memo - Alarma - Comienzo retrasado.	Se puede controlar la duración de los programas en la pantalla***.	
2	Eco Camisas	1	Memo - Alarma - Comienzo retrasado.		
3	Eco Sintéticos	1	Memo - Alarma - Comienzo retrasado.		
Algodón					
4	Algodón Normal	Máx.	Temperatura alta* - Plancha fácil - Memo - Alarma - Secado con tiempo - Comienzo retrasado.		
5	Algodón Extra	Máx.	Temperatura alta* - Memo - Alarma - Secado con tiempo - Comienzo retrasado.		
6	Algodón Perchero	Máx.	Temperatura alta* - Memo - Alarma - Secado con tiempo - Comienzo retrasado.		
Especiales					
7	Sintéticos	3	Plancha fácil - Memo - Alarma - Secado con tiempo - Comienzo retrasado.		
8	Delicado	2	Plancha fácil - Memo - Alarma - Secado con tiempo - Comienzo retrasado.		
9	Lana**	1	Plancha fácil - Memo - Alarma.		
10	Jeans	3	Plancha fácil - Memo - Alarma - Comienzo retrasado.		
Sport					
11	Sport Shoes**	1 par	Memo - Alarma.		
12	Sport Intensive	4	Memo - Alarma - Comienzo retrasado.		
13	Sport Light	4	Memo - Alarma - Comienzo retrasado.		
14	Tejidos Técnicos	2	Memo - Alarma - Comienzo retrasado.		
Parciales					
	Plancha fácil**	2,5	Memo - Alarma.		
	Refresca**	-	Memo - Alarma.		

NOTA: * Sólo con Secado con Tiempo seleccionado. ** Este programa no es compatible con el **Anti Arruga automático**. *** La duración de dichos programas depende de la cantidad de la carga, del tipo de tejido, de la velocidad de centrifugado elegida y de cualquier otra función adicional seleccionada.

Programas Especiales/Sport/Parciales

Programas Energy Saver

¡Los programas Energy Saver disminuyen el consumo energético y en consecuencia, no sólo contribuyen al cuidado del ambiente, sino que también reducen la factura de electricidad!

Hay programas Energy Saver para distintos tipos de tejido.

Fueron diseñados para garantizar excelentes prestaciones de secado con cargas pequeñas.

Los programas Energy Saver permiten obtener excelentes resultados en el secado gracias a la perfecta regulación de la temperatura y a la exacta medición de humedad; ambas se han optimizado para cargas de pequeñas dimensiones.


ALGODÓN

- **Algodón Normal:** nivel de secado que permite secar las prendas para guardarlas directamente en el ropero
- **Algodón Extra:** nivel de secado que permite obtener el máximo nivel de secado. Más seco que el Algodón Normal.
- **Algodón Perchero:** nivel de secado que permite colocar en la percha las prendas que no necesitan planchado

Delicado

- Este programa se utiliza para secar las prendas delicadas (acrílicos).
- Para ser usado con cargas de hasta **2.0 kg**.
- Las cargas secadas con este programa están listas para el uso, pero algunas prendas podrían parecer levemente húmedas. En este caso, sacar la carga y extender las prendas o bien darlas vuelta. Lanzar nuevamente el programa por un período más breve.

Programa Lana

Este es un programa dedicado a las prendas que soportan el secado en tambor marcadas con el símbolo . Puede utilizarse para cargas de hasta **1 kg** (aproximadamente 3 jerseys). Se aconseja dar vuelta las prendas antes del secado. Este programa requiere aprox. **1:00** (hrs:mins), pero puede durar más tiempo dependiendo del tamaño y la densidad de la carga y de la velocidad del centrifugado empleada en la lavadora. Las cargas secadas con este programa en general están listas para usar, pero en algunas prendas más gruesas los bordes podrían estar levemente húmedos. Déjelas secar naturalmente ya que otro proceso de secado podría dañar las prendas.

! A diferencia de otros materiales, el encogido de la lana es irreversible, es decir la prenda no vuelve al tamaño y forma originales.
! Este programa no se aconseja para prendas acrílicas.

Programa Jeans

Este programa se dedica a los jeans de algodón denim. Antes de secar los jeans dar vuelta los bolsillos delanteros. Puede utilizarse para cargas de hasta **3 kg** (aproximadamente 4 pares).

Las cargas secas obtenidas con este programa en general están listas para ser usadas; los bordes o las costuras podrían estar ligeramente húmedos. En este caso dar vuelta los jeans y reactivar el programa por un breve período.

! Utilice este ciclo únicamente para las cargas de 100% de algodón; no mezcle prendas de colores oscuros con aquellas de color claro; no utilice este programa para prendas con bordados y accesorios (elásticos aplicados en la cintura, prendedores,...); dé vuelta los bolsillos.

Programa Sport Shoes

Este es un programa para secar un par de calzado deportivo. El calzado debe haber sido lavado y centrifugado a una velocidad mínima de **400 revoluciones**.

Se deben usar con la rejilla para calzado suministrada con la secadora. Si se seca calzado en el tambor, la secadora se dañará. Quite el filtro de su posición en la parte delantera de la secadora y coloque la rejilla.

Introduzca los cordones dentro del calzado y colóquelo con las puntas dirigidas hacia abajo y las suelas hacia delante.


Los tiempos de secado varían según la forma y el tipo de calzado. Si el calzado no está completamente seco al finalizar el programa, póngalo en marcha nuevamente.

! No seque calzado con gel en su interior o luces centelleantes. Seque sólo calzado fabricado con material sintético o tela. Al finalizar el programa, quite la rejilla para calzado y vuelva a colocar el filtro.

Programa Sport Intensive

Este es un programa para secar prendas como chándales para gimnasia y pantalones cortos marcados con el símbolo . Puede ser utilizado para cargas de hasta **4 kg**. Es aconsejable poner del revés las prendas antes de poner en marcha la secadora.

Programa Sport Light

Este es un programa para secar prendas como chándales para gimnasia y pantalones cortos marcados con el símbolo . Es ideal para aquellas prendas que no necesitan de un secado completo o que deben ser posteriormente planchadas. Puede ser utilizado para cargas de hasta **4 kg**. Es aconsejable poner del revés las prendas antes de poner en marcha la secadora.

Programa Tejidos Técnicos

Este programa está dedicado al secado de tejidos repelentes al agua y anoraks (por ej. goretex, poliéster, nylon). El secado después del lavado tiene un efecto benéfico sobre la prenda ya que reactiva el tratamiento repelente al agua.

Puede ser usado con cargas de hasta **2 kg**.

Plancha fácil

Es un programa breve de 10 minutos que estira las fibras de las prendas para que sea más fácil plancharlas y doblarlas.

El programa es particularmente indicado para los tejidos de Algodón o Algodón mezcla.

Para obtener resultados óptimos, no cargue el cesto superando su capacidad máxima (los siguientes valores se refieren al peso de las prendas secas):

Tejido: carga máxima. Algodón y Algodón mezcla: **2,5 kg**. Prendas sintéticas: **2 kg**. Jeans: **2 kg**

Vacíe la secadora enseguida después de finalizar el programa; cuelgue, doble o planche las prendas y luego colóquelas en el ropero. Si esto no fuese posible, repita el programa.

! Este no es un programa de secado y, por lo tanto, no se utiliza con prendas aún mojadas.

El efecto producido por el programa cambia de un tejido a otro: las características de los tejidos como fibras acrílicas o Tencel® no permiten obtener los mismos resultados que las fibras tradicionales (por ej. algodón).

Refresca

Programa breve ideal para refrescar fibras y prendas a través de la emisión de aire fresco. Dura aproximadamente **20 minutos**.

! Este no es un programa de secado y, por lo tanto, no se utiliza con prendas aún mojadas.

Puede utilizarse con cualquier tamaño de carga, pero es más efectivo con cargas pequeñas.

Opciones

Las opciones permiten personalizar el programa seleccionado en base a las exigencias personales.

Secado con tiempo

Después de haber seleccionado un programa, para ingresar el tiempo de secado, presione el botón de secado con tiempo. Con cada presión de este botón, en la pantalla aparece la duración del secado elegido. La primera vez que se presiona el botón, en la pantalla aparece el valor máximo admitido para el ciclo seleccionado. Cada nueva presión, disminuye el tiempo fijado hasta llegar a **OFF**.

Si la opción de secado con tiempo no se encuentra disponible, se emiten tres señales acústicas.

Comienzo retrasado

El comienzo de algunos programas (*ver Programas y opciones*) puede retrasarse hasta **24** horas. Presione varias veces el botón hasta alcanzar el retraso deseado. Antes de programar un comienzo retrasado asegurarse que el contenedor de recolección de agua esté vacío y que el filtro esté limpio. Durante este período las prendas se hacen girar periódicamente para prevenir la formación de arrugas.

Temperatura alta

Si se selecciona un secado con tiempo, presionando este botón se selecciona una temperatura alta y el piloto que está encima del mismo se enciende. Los programas con tiempo tienen prefijada una temperatura baja.

Plancha Fácil

Esta opción, si se selecciona, asegura al ciclo elegido el nivel de humedad óptimo para facilitar y acelerar el planchado. De este modo es posible obtener un nivel de secado adicional (*ver Programas y opciones*).

Memo

Esta opción permite memorizar o recuperar el ciclo y las correspondientes opciones memorizadas anteriormente con excepción del comienzo retrasado.

- La memorización se produce presionando durante 3 seg. el botón Memo y se puede realizar ya sea cuando la máquina está en pausa o con el ciclo ya comenzado. Una vez seleccionado el ciclo deseado y sus correspondientes opciones, se puede proceder a la memorización. Durante la presión prolongada del botón Memo, el led de la opción y el tiempo que se visualiza en la pantalla centellearán y al cabo de los 3 seg. una señal sonora avisará al usuario que se ha producido la memorización.

- Para recuperar la opción bastará encender la secadora, pulsar el botón Memo y poner en funcionamiento. Como en cualquier otro ciclo es posible modificar sus opciones y regulaciones salvo en los casos de incompatibilidad.

El número del ciclo llamado aparecerá en la pantalla con intervalos de 2 min. Si el ciclo no ha sido memorizado, una señal sonora y visual indicará que el mismo no se encuentra.

- Para grabar un nuevo programa basta repetir la operación de memorización.

Alarma

Al finalizar el ciclo de secado se activará una señal acústica para indicar que el programa ha terminado y que las prendas están listas para ser extraídas.

! No todas las opciones se encuentran disponibles para todos los programas(*ver Programas y opciones*).

Abertura de la puerta

Si se abre la puerta (o se presiona el botón START/PAUSE) durante el funcionamiento de un programa, la secadora se detiene y se producen las siguientes consecuencias.

- El piloto START/PAUSE centellea de color anaranjado.

- Durante el comienzo retrasado el retraso sigue contándose. Es necesario presionar el botón de START/PAUSE para reanudar el programa de comienzo retrasado. El piloto del "Comienzo retrasado" centellea y en la pantalla se visualiza el tiempo que falta para el comienzo del programa seleccionado.

- Es necesario presionar el botón de START/PAUSE para reanudar el programa. Los pilotos de avance indican la fase actual y el piloto START/PAUSE deja de centellear y cambia a color verde.

- Durante la fase antiarrugas post secado, el programa finaliza. Presionando el botón START/PAUSE recomienza un programa nuevo desde el principio.

- Girando el mando de Programas se selecciona un programa nuevo y el piloto START/PAUSE centellea de color verde. Se puede utilizar este procedimiento para seleccionar el programa Secado en frío para enfriar las prendas si se considera que ya están suficientemente secas.

Presione el botón START/PAUSE para poner en marcha el programa nuevo.

Nota: En caso de corte de suministro eléctrico, apagar el aparato y desconectar la clavija. Al reanudarse el suministro eléctrico, pulsar y mantener pulsada la tecla **ON/OFF** hasta que la secadora se reactive, y luego pulsar Start/Pause.

Subdivisión de la ropa

- Controle los símbolos de la etiqueta de las diferentes prendas para comprobar si las prendas pueden someterse a un secado en tambor.
- Divida la ropa a lavar en función del tipo de tejido.
- Vacíe los bolsillos y controle los botones.
- Cierre las cremalleras y los ganchos y ate los cintos y lazos sin ajustar.
- Estruje las prendas para eliminar la mayor cantidad de agua posible.

! No cargue la secadora con prendas completamente empapadas de agua.

Máximas dimensiones de carga

No cargue el cesto por encima de su capacidad máxima. Los siguientes valores se refieren al peso de las prendas secas:

Fibras naturales: máximo 8 kg

Fibras sintéticas: máximo 3 kg

! Para evitar una disminución de las prestaciones de la secadora, no la sobrecargue.

Etiquetas de mantenimiento

Controle las etiquetas de las prendas, en especial cuando se introducen por primera vez en la secadora. A continuación se reproducen los símbolos más comunes:

- Puede utilizarse en la secadora.
- No se puede secar en secadora
- Secar a alta temperatura.
- Secar a baja temperatura.

Tiempos de secado

Los tiempos son aproximados y pueden variar en función de:

- La cantidad de agua retenida por las prendas después de la centrifugación: las toallas y las prendas delicadas retienen mucha agua.
- Tejidos: las prendas del mismo tejido, pero con trama y espesor diferentes pueden requerir tiempos de secado diferentes.
- Cantidad de ropa: prendas individuales y pequeñas cargas pueden requerir más tiempo para secarse.
- Secado: si las prendas deben ser planchadas es posible extraerlas de la máquina cuando aún están húmedas. Las prendas que deben estar totalmente secas pueden dejarse más tiempo.
- Temperatura programada.
- Temperatura de la habitación: mientras más baja es la temperatura de la habitación en la que se encuentra la secadora, más tiempo será necesario para el secado de las prendas.
- Volumen: algunas prendas voluminosas requieren especial cuidado durante el proceso de secado. Se aconseja sacar las prendas, sacudirlas e introducir las nuevamente en la secadora: esta operación debe repetirse varias veces durante el ciclo de secado.

! No seque demasiado las prendas.

Todos los tejidos contienen humedad natural que los mantiene suaves y vaporosos.

Los tiempos indicados se refieren a los programas automáticos Secado ropero. Los pesos se refieren a las prendas secas.

Tiempos de secado

Algodón								
Alta temperatura								
Tiempos de secado después de lavados de 800 – 1000 rpm								
	1 kg	2 kg	3 kg	4 kg	5 kg	6 kg	7 kg	8 kg
Automático (hrs:mins)	0:30-0:40	0:40-0:55	0:55-1:10	1:10-1:20	1:20-1:30	1:35-2:00	2:00-2:20	2:10-2:40
Con tiempo (hrs:mins)	0:30 o 1:00	0:40 o 1:20	0:50 o 1:20	1:00 o 1:40	1:20 o 2:00	2:00 o 2:40	2:20 o 3:00	2:40 o 3:00
Sintéticos								
Baja temperatura								
Tiempos de secado después de lavados a velocidades inferiores								
	1 kg	2 kg	3 kg	4 kg				
Automático (hrs:mins)	0:30 - 0:40	0:40 - 0:50	0:50 - 1:10	0:70 - 1:30				
Con tiempo (hrs:mins)	0:30 o 1:00	0:40 o 1:20	1:00 o 1:30	1:20 o 1:40				
Acrílicos								
Baja temperatura								
Tiempos de secado después de lavados a velocidades inferiores								
	1 kg			2 kg				
Automático (hrs:mins)	0:40 - 1:20			1:00 - 1:40				
Con tiempo (hrs:mins)	0:30			1:00				

Cuando tenga la sensación de que la secadora no funciona de forma correcta, antes de llamar al Centro de asistencia técnica (ver *Asistencia Técnica*) consulte atentamente las siguientes sugerencias para la solución de los problemas.

ES

Problema:

Causas probables/soluciones:

La secadora no arranca.

- El enchufe no está conectado a la toma de corriente de la pared lo bastante profundo como para que haga contacto.
- Ha habido una interrupción de corriente.
- El fusible está quemado. Intente conectar otro electrodoméstico en la misma toma.
- Si se emplea un prolongador, intente conectar el enchufe de la secadora directamente en la toma.
- La puerta no ha sido cerrada correctamente.
- El programa no ha sido programado de forma correcta (ver *Cómo realizar un secado*).
- No se ha presionado el botón START/PAUSE (ver *Cómo realizar un secado*).
- En las máquinas equipadas con la función CERRADO, controle que la opción no esté seleccionada (ver *Programas y opciones*).

El ciclo de secado no comienza.

- Ha sido programado un tiempo de retraso (ver *Programas y opciones*).
- Se ha presionado el botón START/PAUSE; antes de la puesta en marcha de la secadora es necesario esperar un breve retraso. Espere el comienzo del secado, no presione de nuevo el botón START/PAUSE: de lo contrario la secadora entra en la modalidad pausa y no arranca.

Los tiempos de secado son prolongados.

- El filtro no se ha limpiado (ver *Mantenimiento*).
- ¿Debe vaciarse el contenedor de recolección de agua? El piloto "Vaciar cubeta" centellea y se visualiza el mensaje "h2o" (ver *Mantenimiento*).
- El condensador debe ser limpiado (ver *Mantenimiento*).
- La temperatura programada no se adapta al tipo de tejido a secar (ver *Programas y opciones*).
- No se ha seleccionado el tiempo de secado correcto para esta carga (ver *Ropa*).
- La rejilla de la toma de aire o los respiraderos de la parte posterior están obstruidos (ver *Instalación y Mantenimiento*).
- Las prendas están demasiado mojadas (ver *Ropa*).
- La secadora está sobrecargada (ver *Ropa*).

El piloto "Vaciar cubeta" centellea, pero la secadora funciona desde hace poco tiempo.

- Es probable que el contenedor de recolección del agua no haya sido vaciado al comenzar el programa. No espere la señal de vaciado del agua, controle siempre el contenedor y vacíelo antes de comenzar un programa de secado nuevo (ver *Descripción de la secadora*).

El piloto "Vaciar cubeta" está encendido pero el contenedor de recolección de agua no está lleno.

- Es normal que: el piloto "Vaciar cubeta" centellee cuando el contenedor está lleno. Si el piloto está encendido pero no centellea, recuerde solamente que debe vaciarse el contenedor de recolección (ver *Descripción de la secadora*).

El programa finaliza y las prendas están más húmedas de lo previsto.

- ! Por motivos de seguridad, los programas de la secadora tienen una duración máxima de 5 horas. Si un programa automático no detecta la humedad final requerida dentro de este intervalo de tiempo, la secadora completa el programa y se detiene. Controle los puntos arriba indicados y repita el programa; si las prendas siguen estando húmedas llame al Centro de asistencia técnica (ver *Asistencia Técnica*).

En la pantalla aparece el código F seguido de uno o dos números, los pilotos de opción y el piloto de pausa centellean.

- Si en la pantalla aparece F seguido de uno o dos números, apague el aparato y quite el enchufe, limpie el filtro y el condensador (ver *Mantenimiento*). Luego, vuelva a enchufarlo, encienda el electrodoméstico y ponga en marcha otro programa. Si el ruido continúa, llame al Centro de asistencia técnica (ver *Asistencia Técnica*). Si se visualizan otros números, anote el código y llame al Centro de asistencia técnica (ver *Asistencia Técnica*).

En la pantalla aparece brevemente "dOn" cada 6 segundos.

- La secadora se encuentra en la modalidad "Demo". Mantenga presionados los botones ON/OFF y START/PAUSE durante 3 segundos. En la pantalla aparece "dOn" durante 3 segundos, luego la secadora recomienza el funcionamiento normal.

El Tiempo residual cambia durante el secado.

- El tiempo residual se monitorea constantemente durante el ciclo de secado y el tiempo es modificado para mostrar la mejor estimación posible. El tiempo visualizado puede aumentar durante el ciclo y esto es normal.

La secadora hace ruido durante los primeros minutos de funcionamiento.

- Es normal, especialmente si la secadora no ha sido utilizada por un tiempo prolongado. Si el ruido continúa durante todo el ciclo, llame al centro de asistencia técnica.

Las luces del panel de control de la secadora están apagadas aunque la secadora esté encendida.

- La secadora se ha puesto en modo standby para ahorrar energía. Esto ocurre si la secadora se ha dejado encendida o si ha habido un corte de suministro de energía. Ocurre después de 30 minutos:
- si la secadora se deja con un programa sin empezar;
 - cuando el programa de secado ha terminado.

Asistencia Técnica

ES

Antes de llamar al Centro de asistencia técnica:

- Consulte la guía para la solución de los problemas para ver si es posible solucionar la avería personalmente (ver *Problemas y soluciones*).
- De lo contrario, apague la secadora y llame al Centro de asistencia técnica más cercano.

Datos a comunicar al Centro de asistencia técnica:

- Nombre, dirección y código postal;
 - número de teléfono;
 - el tipo de avería;
 - la fecha de compra;
 - el modelo de aparato (Mod.);
 - el número de serie (S/N) de la secadora.
- Esta información se encuentra en la etiqueta de datos colocada detrás de la puerta.

Información para el reciclaje y el desguace

Dentro del ámbito de nuestro esfuerzo permanente en defensa del medioambiente nos reservamos el derecho de utilizar componentes reciclados de calidad para reducir los costos del cliente y minimizar el derroche de materiales.

- Eliminación del material de embalaje: respetar la normativa local, de este modo se podrá reciclar el embalaje.
- Para reducir el riesgo de accidentes para los niños, quitar la puerta y el enchufe, cortar el cable de alimentación del aparato. Eliminar estas partes por separado para asegurarse que el electrodoméstico no pueda ser conectado a una toma de corriente.

Eliminación



La norma Europea 2012/19/CE sobre la eliminación de aparatos eléctricos y electrónicos (RAEE), indica que los electrodomésticos no deben ser eliminados de la misma manera que los desechos sólidos urbanos. Los aparatos en desuso se deben recoger separadamente para optimizar el porcentaje de recuperación y reciclaje de los materiales que los componen e impedir potenciales daños para la salud y el medio ambiente.

El símbolo de la papelera tachada se encuentra en todos los productos para recordar la obligación de recolección separada.

Para mayor información sobre la correcta eliminación de los electrodomésticos, los poseedores de los mismos podrán dirigirse al servicio público responsable o a los revendedores.

Repuestos

Esta secadora es una máquina compleja. Intentando repararla personalmente o encargando su reparación a personal no cualificado, se puede poner en riesgo la seguridad de las personas, además de averiar la máquina y que la garantía sobre los repuestos caduque.

En caso de problemas con el uso de la máquina, llame siempre a un técnico autorizado.



El presente electrodoméstico está en conformidad con las siguientes directivas CE:

- 2006/95/CE (Directiva de baja tensión);
- 2004/108/CE (Compatibilidad electromagnética).


MÁQUINA DE SECAR ROUPA

PT

Português

IDCE G45 B H

www.indesit.com

 Este símbolo serve para lembrar-te de ler este manual de instruções.

! Mantenha o presente manual num local acessível para poder consultá-lo facilmente sempre que necessário. Mantenha sempre o manual junto da máquina de secar roupa. Se a máquina for vendida ou cedida a outras pessoas, faça-a acompanhar deste manual, para que os novos proprietários possam conhecer as advertências e sugestões relacionadas com a utilização da mesma.

! Leia com atenção estas instruções: as páginas seguintes contêm informações importantes sobre a instalação e sugestões úteis sobre o funcionamento do electrodoméstico.

Índice

Instalação, 34

Onde instalar a máquina de secar roupa?
Ventilação
Ligação eléctrica
Informações preliminares

Advertências, 36

Segurança geral
Economia energética e respeito pelo meio ambiente

Cuidados e manutenção, 38

Interrupção da alimentação eléctrica
Limpeza do filtro no fim de cada ciclo
Controlo do tambor no fim de cada ciclo
Esvaziamento do recipiente de recolha da água no fim de cada ciclo
Limpeza da unidade de condensação
Limpeza da máquina de secar roupa

Descrição da máquina de secar roupa, 40

Características
Painel de comandos

Como efectuar uma secagem, 42

Início e escolha do programa

Programas e opções, 45

Tabela dos programas
Programas especiais/Sport/Parciais
Opções
Abertura da porta

Roupa, 46

Triagem da roupa
Etiquetas de manutenção
Tempos de secagem

Problemas e soluções, 47

Assistência, 48

Peças de reposição
Informações sobre a reciclagem e a eliminação

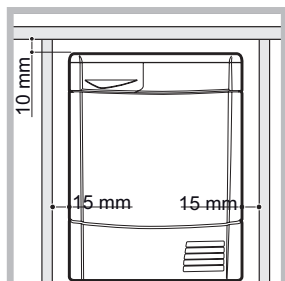
PT

Instalação

PT

Onde instalar a máquina de secar roupa?

• As chamas podem danificar a máquina de secar roupa, que deve pois ser instalada num local afastado de fogões a gás, aquecedores, radiadores ou placas de cozinha.



Se o electrodoméstico for instalado sob uma banca, é necessário deixar um espaço de 10 mm entre o painel superior do electrodoméstico e outros objectos colocados sobre o mesmo, e um espaço de 15 mm entre os lados do electrodoméstico e as paredes ou os móveis vizinhos. Deste modo, fica garantida uma circulação do ar adequada. O aparelho deve ser instalado com a superfície traseira posicionada contra uma parede

Ventilação

• Quando a máquina de secar roupa estiver activa, deve existir ventilação suficiente. Certifique-se de que instala a máquina de secar roupa num local sem humidade e com circulação do ar adequada. O fluxo de ar em torno da máquina de secar é fundamental para permitir a condensação da água produzida durante a lavagem. A máquina de secar roupa não funciona correctamente se estiver instalada num espaço fechado ou no interior de um móvel.

! Se a máquina de secar roupa for utilizada numa divisão pequena ou fria, é possível que se forme uma pequena quantidade de condensados.

! Não é aconselhável instalar a máquina de secar roupa num armário. O electrodoméstico não deve nunca ser instalado por trás de uma porta de fechar à chave, de uma porta de correr nem de uma porta com dobradiças do lado oposto ao da porta da máquina de secar roupa.

Descarga da água

Se a máquina for colocada junto de um tubo de descarga, é possível fazer defluir a água condensada directamente sem ter de utilizar o recipiente de recolha da água. Neste caso, deixa de ser necessário esvaziar o recipiente de recolha da água no fim de cada ciclo.

Se a máquina de secar roupa for instalada por cima ou ao lado de uma máquina de lavar roupa, pode partilhar a mesma conduta de descarga. Basta desligar o tubo indicado na figura A e ligá-lo à conduta de descarga.

Se a conduta de descarga estiver a uma distância superior ao comprimento do tubo, para efectuar a ligação, é possível adquirir e ligar um tubo de diâmetro idêntico e com o comprimento necessário.

Para instalar o novo tubo, basta substituir o existente conforme indicado na figura B inserindo-o na mesma posição.

! A conduta de descarga deve ficar 1 m mais baixa relativamente ao fundo da máquina de secar roupa.

! Depois de ter instalado a máquina de secar roupa, certifique-se de que o tubo de descarga não está dobrado nem torcido.

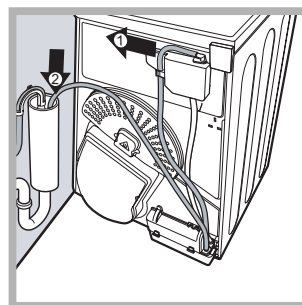


Fig. A

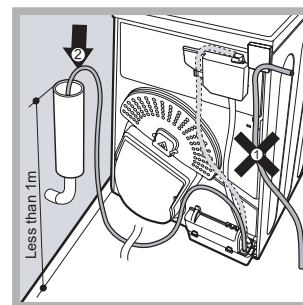


Fig. B

Ligação eléctrica

Antes de introduzir a ficha na tomada eléctrica, verifique o seguinte:

- Certifique-se de que tem as mãos secas.
- A tomada deve estar equipada com ligação à terra.
- A tomada deve ter capacidade para suportar a potência máxima prevista para a máquina, indicada na placa dos dados de exercício (*consulte Descrição da máquina de secar roupa*).
- A tensão de alimentação deve estar compreendida entre os valores indicados na placa dos dados de exercício (*consulte Descrição da máquina de secar roupa*).
- A tomada deve ser compatível com o tipo de ficha da máquina de secar roupa. Caso contrário, substitua a tomada ou a ficha.

! NÃO UTILIZE EXTENSÕES.

! A máquina de secar roupa não pode ser instalada em ambientes externos, mesmo que abrigados. Na verdade, pode ser muito perigoso expor este electrodoméstico à chuva ou a tempestades.

! Após a instalação da máquina de secar, o cabo eléctrico e a ficha devem ser mantidos ao alcance da mão.

! O cabo eléctrico não deve ser dobrado nem esmagado.

! Se a ficha a substituir é do tipo incorporado, é necessário eliminá-la de forma segura. NÃO a deixe onde possa ser inserida numa tomada, podendo provocar choques eléctricos.

! O cabo eléctrico deve ser verificado periodicamente. Se o cabo de alimentação estiver danificado, deve ser substituído pelo fabricante, pelo seu serviço de assistência ou por pessoal qualificado, para evitar perigos. (*consulte Assistência*). Os cabos eléctricos novos ou mais compridos são fornecidos por revendedores autorizados por um custo adicional.

**! O fabricante não se responsabiliza pela não observância destas regras.
! Em caso de dúvida relativamente às indicações acima, contacte um electricista qualificado.**

Informações preliminares

Depois de instalada a máquina de secar roupa, antes de a colocar em funcionamento, limpe o interior do tambor e retire a sujidade que se possa ter acumulado durante o transporte.

Dimensões máximas de carga: 8 kg


Ficha De Produto - Regulamentação 392/2012.	
Marca	Indesit
Modelo	IDCE G45 B H (EU)
Capacidade nominal para roupa de algodão para o "programa normal de algodão" em plena carga - kg	8.0
O secador de roupa para uso doméstico é	Por condens.
Classe de eficiência energética numa escala de A+++ (baixos consumos) a D (altos consumos)	B
O consumo anual de energia ponderado (AEC)* kWh 1)	559.8
O secador de roupa para uso doméstico é	Automático
Consumo de energia com carga completa; Edry- kWh 2)	4.77
Consumo de energia com carga parcial; Edry½- kWh 2)	2.53
Consumo de energia: estado de desativação (Po) - Watts	0.14
Consumo de energia: estado inativo (Pi) - Watts	2.39
Duração do "estado inativo" no sistema de gestão de energia - minutos	30
Progr. Duração - plena carga e carga parcial ponderada (Tt) - minutos 3)	104
Plena carga (Tdry) - minutos	139
Carga parcial (Tdry½) - minutos	78
Classe de eficiência de condensação numa escala de G (menos eficiente) a A (mais eficiente)	B
Eficiência de condensação média - %	
plena carga e carga parcial ponderada (Ct) 3)	81
plena carga Cdr	82
carga parcial Cdry½	80
Emissão de ruído aéreo - dB(A) re 1 pW	68.0
1) O programa normal de algodão com carga plena e parcial e o programa normal de algodão com carga parcial são os programas normais mencionados nas informações da etiqueta e da ficha. Estes programas são adequados para secar ao nível Armário (0%) as peças de roupa de algodão e são os mais eficientes em termos de consumo energético. A carga parcial é metade da carga nominal.	
2) O consumo por ano baseia-se em 160 ciclos de secagem do programa normal de algodão em plena carga e em carga parcial, e no consumo dos modos de baixo consumo de energia. O valor real do consumo de energia por ciclo depende do modo de utilização do aparelho.	
3) Média calculada de 3 ciclos com carga plena e 4 ciclos com meia carga.	
Regulamentação 932/2012.	
Sintético: consumo de energia com carga completa; kWh	1.41
Sintético: plena carga (Tdry) - minutos	65
Sintético: Carga parcial N/A	

Advertências

PT

! Este electrodoméstico foi concebido e fabricado em conformidade com as normas internacionais em matéria de segurança. Estas advertências são fornecidas por razões de segurança e devem ser observadas com atenção.

Segurança geral

- A presente máquina de secar roupa pode ser utilizada por pessoas (incluindo crianças com mais de 8 anos) com capacidades físicas, sensoriais ou mentais reduzidas ou sem experiência e conhecimentos, caso sejam supervisionadas ou se tiverem recebido instruções sobre a utilização do dispositivo por parte de uma pessoa responsável pela sua segurança.
- A presente máquina de secar roupa foi concebida para uso doméstico e não profissional.
- Não toque no electrodoméstico com os pés descalços nem com as mãos ou os pés molhados.
- Desligue o electrodoméstico da rede de alimentação eléctrica, puxando pela ficha e nunca pelo cabo.
- Após a utilização, desligue a máquina de secar roupa e desligue a ficha da rede de alimentação eléctrica. Mantenha a porta da máquina de secar roupa fechada para evitar que as crianças a utilizem nas suas brincadeiras.
- As crianças devem ser mantidas sob vigilância para evitar que brinquem com a máquina.
- A manutenção e limpeza não devem ser efectuadas por crianças sem supervisão.
- As crianças com menos de 3 anos devem ser mantidas afastadas da máquina de secar roupa se não forem constantemente vigiadas.
- O electrodoméstico deve ser instalado correctamente e deve ter uma ventilação adequada. A admissão de ar da parte da frente da máquina de secar roupa e os respiradouros da parte posterior não devem nunca ficar obstruídos (consulte Instalação).
- Nunca utilize a máquina de secar roupa sobre a alcatifa se a altura do pêlo impedir a entrada do ar pela base da máquina.
- Certifique-se de que a máquina está vazia antes de a carregar.
-  A parte posterior da máquina de secar roupa pode ficar muito quente: não toque nunca nela quando a máquina estiver a funcionar.
- Não utilize a secadora sem que o filtro, o recipiente de água e o condensador estejam seguramente afixados nas respectivas posições (consulte Manutenção).
- Não sobrecarregue a máquina de secar roupa (consulte Roupa para as dimensões máximas de carga).
- Não introduza peças de roupa completamente molhadas.
- Siga sempre com atenção todas as instruções indicadas nas etiquetas de lavagem (consulte Roupa).
- Não carregue a máquina com peças grandes e excessivamente volumosas.
- Não seque fibras acrílicas a altas temperaturas.
- Não desligue a máquina de secar roupa quando contiver ainda peças quentes.
- Limpe o filtro após cada utilização (consulte Manutenção).
- Esvazie o recipiente de recolha da água após cada utilização (consulte Manutenção).
- Limpe a unidade do condensador após intervalos regulares (consulte Manutenção).
- Não suba para o painel superior da máquina de secar roupa, pois pode danificá-la.
- Respeite sempre as normas e as características eléctricas (consulte Instalação).
- Adquira sempre acessórios e peças de reposição originais (consulte Assistência).

Para reduzir o risco de ocorrência de incêndios na máquina de secar roupa, deve ter em conta os seguintes aspectos:

- Seque apenas artigos que tenham sido lavados com água e detergente, enxaguados e centrifugados. Existe um risco de incêndio se secar peças que NÃO tenham sido lavadas com água.
- Não seque peças de vestuário que tenham sido tratadas com produtos químicos.
- Não seque peças de roupa que tenham sido manchadas ou impregnadas com óleo ou azeite, uma vez que isto representa um

perigo de incêndio. As peças de roupa contaminadas com óleo podem inflamar espontaneamente, sobretudo quando são expostas a fontes de calor, como uma máquina de secar roupa. As peças de roupa podem ficar quentes, provocando uma reacção de oxidação com o óleo. A oxidação gera calor. Se não for o possível evacuar o calor, as peças de roupa podem ficar quentes o suficiente para se incendiarem. Amontoar, empilhar ou guardar peças de roupa contaminadas com óleo pode impedir a evacuação do calor, causando o perigo de incêndio. Se for inevitável que os tecidos contaminados com óleo ou azeite, ou outros que tenham sido contaminados com produtos para o cabelo sejam colocados numa máquina de secar roupa, devem, em primeiro lugar, ser lavados com detergente extra – isto irá diminuir, mas não eliminar, o perigo. Estas não devem ser retiradas da máquina de secar e colocadas umas sobre as outras ou guardadas enquanto estão quentes.

- Não seque peças de roupa que foram anteriormente lavadas ou limpas com, ou impregnadas ou sujas com, gasolina, solventes para lavagem a seco ou outras substâncias inflamáveis ou combustíveis. Substâncias altamente inflamáveis habitualmente utilizadas em ambientes domésticos, incluindo óleo alimentar, acetona, álcool desnaturado, querosene, anti-nódoas, terebintina, ceras e decapantes de cera. Certifique-se de que estas peças de roupa foram lavadas em água quente com uma quantidade extra de detergente antes de serem secas na máquina de secar.
- Não seque peças de roupa contendo espuma de borracha (também conhecida como espuma de látex) ou materiais de textura semelhante a borracha. Os materiais de espuma de borracha podem, quando aquecidos, incendiar por combustão espontânea.
- Amaciadores para a roupa ou produtos semelhantes não devem ser utilizados na máquina de secar para eliminar os efeitos de electricidade estática excepto se este método for especificamente recomendado pelo fabricante do produto amaciador para a roupa.
- Não seque peças de roupa interior que contenham reforços de metal, por exemplo, sutiãs com aros de metal. No caso de os reforços de metal se

soltarem durante a secagem, podem ocorrer danos na máquina de secar.

- Não seque na máquina artigos de borracha ou plástico como toucas de banho ou coberturas impermeáveis para bebés, polieteno ou papel.
- Não seque na máquina artigos com componentes de borracha, peças de roupa com almofadas de espuma de borracha, almofadas, galochas e calçado de desporto com revestimento de borracha.
- Retirar todos os objectos dos bolsos, como isqueiros e fósforos.

! ATENÇÃO: não pare nunca a máquina de secar roupa antes do fim do ciclo de secagem, a não ser que todas as peças sejam removidas rapidamente e estendidas para dissipar o calor.

Economia energética e respeito pelo meio ambiente

- Antes de secar as peças de roupa, torça-as para eliminar a maior quantidade de água possível (se antes utilizar uma máquina de lavar, defina um ciclo de centrifugação). Deste modo, pode economizar energia durante a secagem.
- Se utilizar sempre a máquina com carga plena, pode economizar energia: peças únicas e cargas pequenas demoram mais tempo a secar.
- Limpe o filtro no fim de cada ciclo para controlar os custos relacionados com o consumo energético (consulte Manutenção).

Cuidados e manutenção

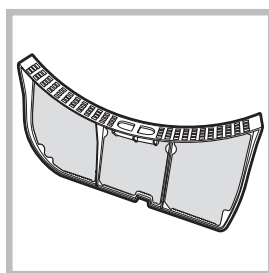
PT

Interrupção da alimentação eléctrica

! Desligue a máquina de secar roupa quando não estiver a funcionar, bem como durante as operações de limpeza e de manutenção.

Limpeza do filtro no fim de cada ciclo

O filtro é um componente fundamental para a secagem: a sua função consiste em recolher os resíduos de lã e o algodão que se formam durante a secagem.

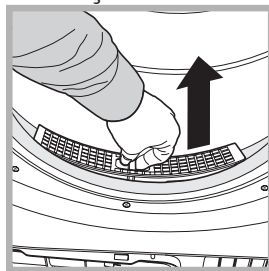


No fim da secagem, limpe o filtro enxaguando-o com água corrente ou limpando-o com o aspirador. Se o filtro se obstruir, o fluxo de ar no interior da máquina de secar roupa pode ficar seriamente comprometido: os

tempos de secagem prolongam-se e o consumo de energia aumenta. Além disso, podem verificar-se danos na máquina de secar roupa.

O filtro encontra-se em frente ao vedante da máquina de secar (*consulte a figura*).

Remoção do filtro:



1. Puxe para cima a pega de plástico do filtro (*consulte a figura*).
2. Remova os resíduos de lã do filtro e volte a colocá-lo correctamente. Certifique-se de que o filtro fica bem encaixado, rente ao vedante da máquina.

! Não utilize a máquina de secar roupa sem antes ter recolocado o filtro no respectivo lugar.

Controlo do tambor no fim de cada ciclo

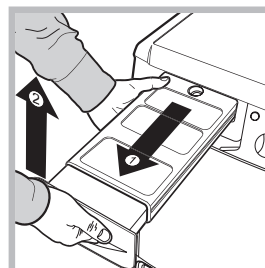
Rode manualmente o tambor para retirar as peças de roupa mais pequenas (lenços) que possam ter ficado no interior da máquina.

Limpeza do tambor

! Para a limpeza do tambor, não utilize detergentes abrasivos, lã de aço ou agentes de limpeza para aço inoxidável.

Pode formar-se uma película colorida no tambor de aço inoxidável, fenómeno que pode ser causado por uma combinação de água e/ou de agentes de limpeza, como o amaciador de lavagem. Esta película colorida não afecta o desempenho da máquina de secar roupa.

Esvaziamento do recipiente de recolha da água no fim de cada ciclo



Retire o recipiente da máquina e esvazie-o num lavatório ou noutro recipiente de descarga adequado e, em seguida, reposicione-o correctamente. Verifique sempre o recipiente de recolha e esvazie-o antes do início de um novo programa de secagem.

- O não esvaziamento do recipiente de recolha da água pode causar:
- A paragem do aquecimento da máquina (o que faria com que a roupa continuasse húmida no fim do ciclo de secagem).
- O indicador luminoso "Esvaziar recipiente" ilumina-se para avisar que o recipiente está cheio.

Carregamento do sistema de recolha da água

Quando a máquina de secar roupa é nova, o recipiente de recolha da água não efectua a recolha enquanto o sistema não estiver carregado. Esta operação pode precisar de 1 ou 2 ciclos de secagem. Uma vez efectuado o carregamento, o sistema recolhe a água em todos os ciclos.

Limpeza da unidade de condensação

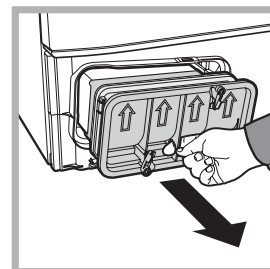
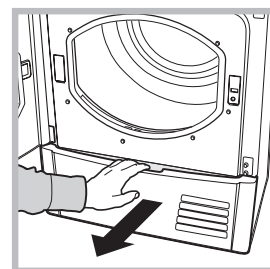
• Retire periodicamente (todos os meses) a unidade de condensação e limpe eventuais depósitos de algodão das placas, enxaguando-a com água fria da torneira a correr pela parte posterior do condensador.

Remoção do condensador:

1. Desligue a máquina da rede eléctrica e abra a porta.

2. Abra a tampa do condensador (*consulte a figura*), desbloqueie os três fechos rodando-os 90° no sentido contrário ao dos ponteiros do relógio e extraia o condensador, puxando-o pela pega.

3. Limpe a superfície dos vedantes e reposicione a unidade com as setas voltadas para cima, certificando-se de que os fechos estão bem fixos.



Limpeza da máquina de secar roupa

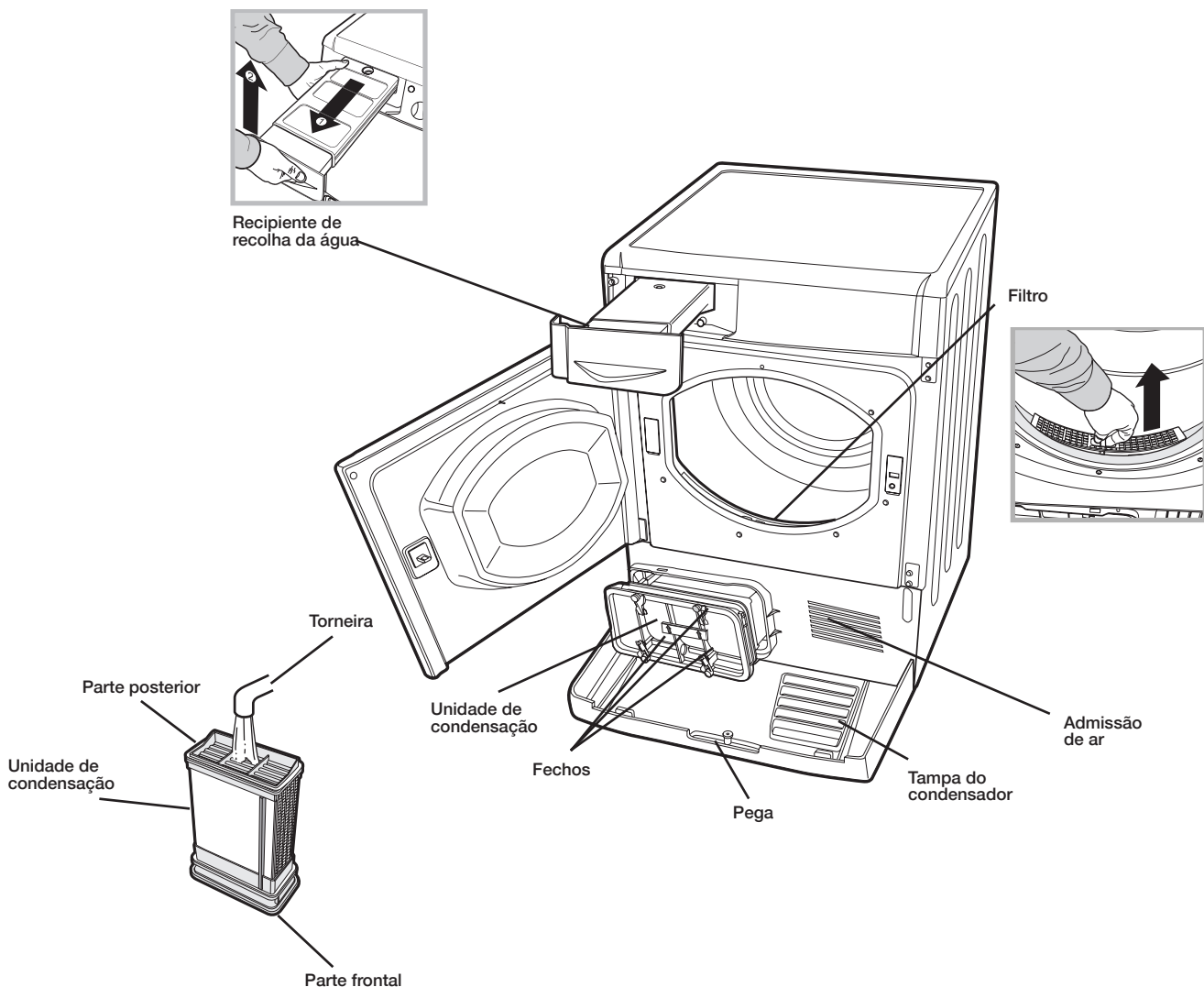
- As partes externas de metal e de plástico e as partes de borracha podem ser limpas com um pano húmido.
- Periodicamente (cada 6 meses), limpe com o aspirador a grelha de admissão de ar dianteira e os respiradouros da parte posterior da máquina para remover eventuais depósitos de algodão, resíduos de lã e poeira. Além disso, remova os depósitos de algodão da parte da frente do condensador e das áreas do filtro, utilizando ocasionalmente o aspirador.

! Não utilize solventes nem abrasivos.

! Solicite um controlo regular da máquina de secar roupa por pessoal técnico autorizado para garantir a segurança dos componentes eléctricos e mecânicos (*consulte Assistência*).

Conselhos rápidos

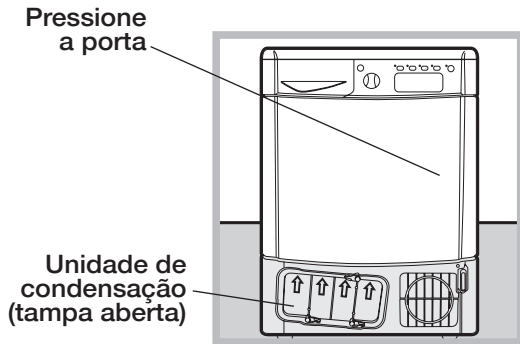
- ! Deve limpar o filtro, e o unidade de condensação depois de cada secagem.
- ! Relembramos que deve esvaziar o recipiente de recolha da água após cada carga.
- ! Desta forma, obterá sempre o melhor desempenho!



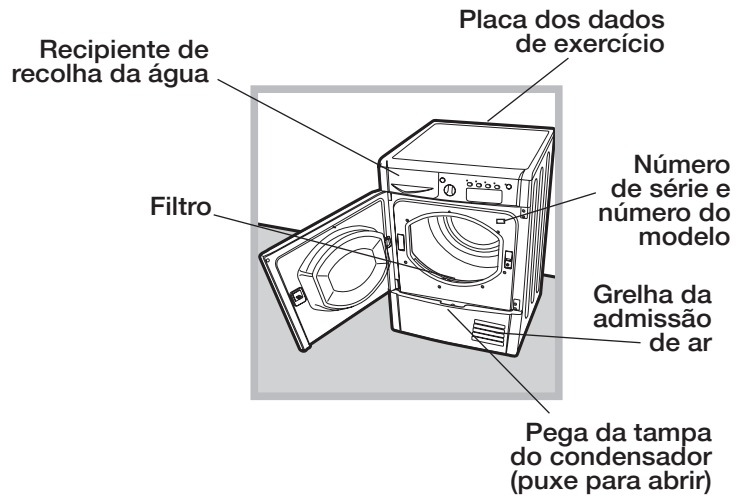
Descrição da máquina de secar roupa

PT

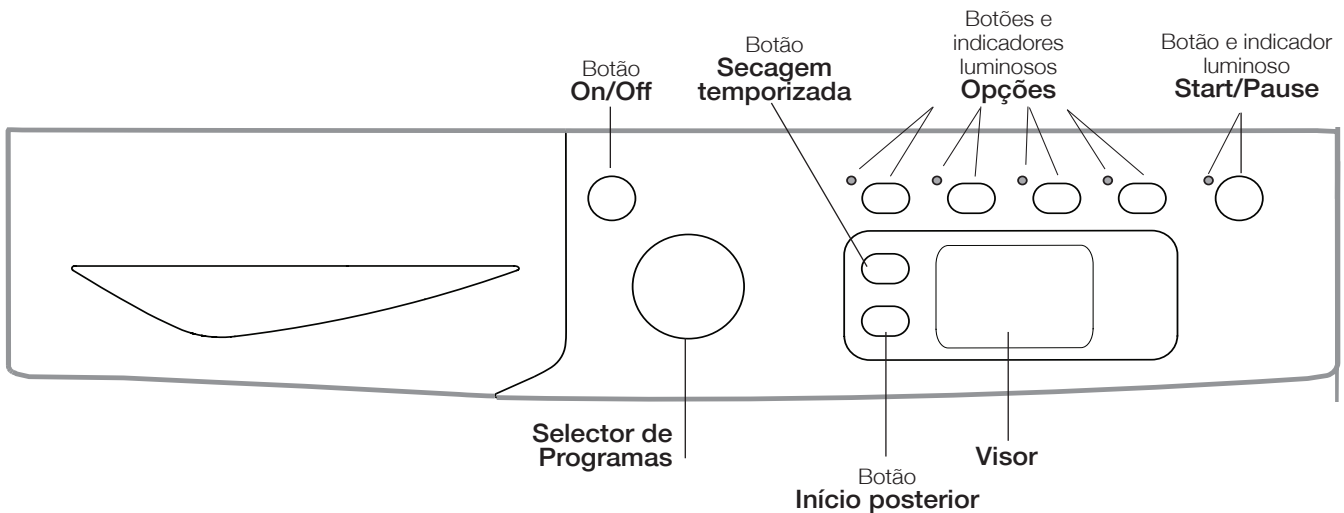
Abertura da porta



Características



Painel de comandos



Botão ON/OFF/Reset

Uma pressão normal do botão liga ou desliga o aparelho. Se a máquina de secar roupa estiver funcionando, uma pressão prolongada por aproximadamente 3 segundos fará desligar o aparelho e restabelecer o ciclo em curso.

Selector de Programas

Consente configurar o programa: rode até que o indicador fique direccionado para o programa pretendido (*consulte Início e Escolha do programa*).

Botões opções

Permitem escolher as opções disponíveis para o programa seleccionado. Os indicadores luminosos acendem-se para indicar que a opção foi seleccionada (*consulte Programas e opções*).

Botão e indicador luminoso START/PAUSE

Quando o indicador luminoso verde piscar lentamente, prima o botão para iniciar o programa. Quando o ciclo tiver sido iniciado, o indicador luminoso de sinalização mantém-se sempre aceso. Para colocar o programa em pausa, prima novamente o botão; o indicador luminoso fica de cor laranja e começa novamente a piscar.

Para reiniciar o programa do ponto em que havia sido interrompido, prima novamente o botão (*veja Início e Escolha do programa*).

Visor

Na secção **A** é visualizado o valor da “Secagem temporizada” configurada; no caso em que tenha sido programado um “Início retardado” será visualizado o tempo faltante ao início do programa escolhido.

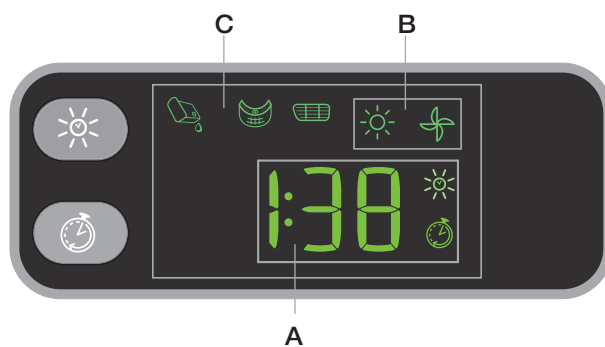
Nesta secção é visualizada também a duração do programa escolhido.

Na secção **B** é visualizada a fase do programa em andamento:

Ícone sol ☀️: Secagem

Ícone ventoinha 🌀: Ciclo de ar frio

Na secção **C** os indicadores luminosos de manutenção (Indicador luminoso esvaziar recipiente 🚰, Indicador luminoso limpeza filtro 🌀, Indicador luminoso limpeza condensador 📦, *veja Indicadores luminosos*).



Indicadores luminosos

Os indicadores luminosos fornecem informações importantes. Vejamos o que significam:

O indicador luminoso “esvaziar recipiente” 🚰 indica que é necessário esvaziar o recipiente de recolha da água.

Se o recipiente encher durante a realização do programa, o led irá acender-se. A máquina de secar roupa automaticamente irá iniciar o ciclo de ar frio e o led START/PAUSE ficará intermitente na cor âmbar. Para reiniciar o ciclo a partir do ponto em que foi interrompido, prima novamente o botão START/PAUSE.

Para evitar este procedimento, esvazie sempre o recipiente de recolha da água antes de cada utilização da máquina de secar roupa (*consulte Manutenção*).


O indicador luminoso Limpeza do filtro 🌀 antes de cada programa lembra que é fundamental limpar o filtro cada vez antes de utilizar a máquina de secar roupa (*consulte Manutenção*).

O indicador luminoso Limpeza do condensador 📦 lembra que é fundamental limpar o condensador em intervalos regulares (*consulte Manutenção*).

Como efectuar uma secagem

PT

Início e escolha do programa

1. Introduza a ficha da máquina de secar roupa na tomada de alimentação eléctrica.
 2. Seleccione a roupa em função do tipo de roupa (*consulte Roupa*).
 3. Abra a porta e certifique-se de que o filtro está limpo e em posição, e que o recipiente de recolha da água está vazio e posicionado correctamente (*consulte Manutenção*).
 4. Carregue a máquina tendo o cuidado de não deixar nenhuma peça de roupa entre a porta e o respectivo vedante. Feche a porta.
 5. Carregue no botão ON/OFF para ligar a máquina.
 6. Rode o botão de selecção dos Programas até quando o indicador estiver no programa correspondente ao tipo de tecido que se pretende secar, verificando a tabela dos programas (*consulte Programas e opções*) e as indicações para cada tipo de tecido (*consulte Roupa Branca*).
! Atenção: se, depois de ter premido o botão de START/PAUSE, alterar a posição do selector dos programas, a nova posição NÃO altera o programa seleccionado. Para alterar o programa, prima o botão START/PAUSE para colocar o programa em pausa (o indicador luminoso fica laranja intermitente), escolha o novo programa e as respectivas opções. Prima o botão de START/PAUSE para iniciar o novo programa.
 7. Escolha "Secagem temporizada" carregando no respectivo botão até que seja alcançado o nível ou o tempo desejado (*consulte Programas e opções*).
 8. Se necessário, defina o tempo de retardamento e as outras opções (*consulte Programas e opções*).
 9. Se pretender que o aviso acústico se active no fim do programa, prima o botão ALARME .
 10. Para iniciar, prima o botão START/PAUSE. No visor, é visualizado o tempo restante estimado. Durante o programa de secagem, é possível controlar a roupa e retirar as peças que já estão secas, deixando as outras no interior da máquina. Depois de ter voltado a fechar a porta, prima START/PAUSE para recolocar a máquina em funcionamento.
 11. Durante os últimos minutos dos programas de secagem, antes do fim do programa, é iniciada a fase final de SECAGEM A FRIO (os tecidos são arrefecidos); é necessário deixar sempre terminar esta fase.
 12. Para que saiba que o programa foi concluído, o indicador sonoro irá soar 3 vezes e no visor surge "End" (nota: se a opção ALARME estiver seleccionada, o indicador sonoro soa 3 vezes a cada 30 segundos durante 5 minutos). Abra a porta, retire a roupa, limpe o filtro e volte a colocá-lo no respectivo lugar. Esvazie o recipiente de recolha da água e volte a colocá-lo no respectivo lugar (*consulte Manutenção*).
- Se a roupa não for removida no final do ciclo, a acção **Anti-dobra automática**, nos programas com esta função, continua a rodar o tambor intermitentemente até 10 horas para minimizar a formação de dobras. Para parar a acção **Anti-dobras**, abra a porta ou prima o botão **ON/OFF**.
13. Desligue a máquina de secar roupa da rede eléctrica.

Anti-dobra automática

Trata-se de uma função automática que oferece um tratamento anti-dobra antes e após o programa de secagem. Ao rodar periodicamente o tambor antes do início do ciclo de secagem, quando é seleccionado o início retardado, evita-se a formação de dobras. Em certos programas (consulte a tabela de programas), o tambor também roda periodicamente no final do ciclo de secagem. Esta acção de cuidado contra as dobras continua até que abra a porta ou prima o botão **ON/OFF**.

Modalidade de Stand by

Esta máquina de secar roupa, em conformidade com as novas normas sobre a economia energética, dispõe de um sistema de desligação automática (stand by) que entra em função aproximadamente 30 minutos depois, no caso de inutilização. Prima continuamente o botão **ON/OFF** até que a secadora volte a acender.

Tabela dos programas

	Programa	Carga máx. (kg)	Opções compatíveis	Duração do ciclo	
Energy Saver					
1	Eco Algodão	1	Memo - Alarme - Início retardado.	É possível controlar a duração dos programas no visor****.	
2	Eco Camisas	1	Memo - Alarme - Início retardado.		
3	Eco Sintéticos	1	Memo - Alarme - Início retardado.		
Algodão					
4	Algodão Normal	Máx.	Temperatura alta* - Engomar Fácil - Memo - Alarme - Secagem temporizada - Início retardado.		
5	Algodão Extra	Máx.	Temperatura alta* - Memo - Alarme - Secagem temporizada - Início retardado.		
6	Algodão Cabide	Máx.	Temperatura alta* - Memo - Alarme - Secagem temporizada - Início retardado.		
Especiais					
7	Sintéticos	3	Engomar Fácil - Memo - Alarme - Secagem temporizada - Início retardado.		
8	Delicados	2	Engomar Fácil - Memo - Alarme - Secagem temporizada - Início retardado.		
9	Lã**	1	Engomar Fácil - Memo - Alarme.		
10	Calças jeans	3	Engomar Fácil - Memo - Alarme - Início retardado.		
Desporto					
11	Sport Shoes**	1 par	Memo - Alarme		
12	Sport Intensive	4	Memo - Alarme - Início retardado.		
13	Sport Light	4	Memo - Alarme - Início retardado.		
14	Tecidos Técnicos	2	Memo - Alarme - Início retardado.		
Parciais					
	Passe fácil**	2,5	Memo - Alarme.		
	Arejar tecidos**	-	Memo - Alarme.		

* Nota! Apenas com a Secagem Temporizada seleccionada. ** Este programa não é compatível com a função **Anti-dobra automática**. *** A duração dos programas depende da quantidade de peças, do tipo de tecido, da velocidade de centrifugação seleccionada e de qualquer outra função adicional seleccionada.

Programas especiais/Sport/Parciais

Programas Energy Saver

Os programas Energy Saver diminuem o consumo de energia e portanto não apenas ajudam o ambiente, mas reduzem também a conta de energia!!

Os programas Energy Saver estão disponíveis para os vários tipos de tecido.

Foram projectados para garantir excelente desempenho de secagem para pequenas cargas.

Os programas Energy Saver dão excelentes resultados de secagem, graças ao perfeito ajuste da temperatura e a cuidadosa detecção de humidade, que foram optimizados para obter o melhor resultado com cargas de pequenas dimensões.


ALGODÃO

- **Algodão Normal:** nível de secagem que permite secar as peças de roupa e colocá-las directamente no armário
- **Algodão Extra:** nível de secagem que permite obter o nível máximo de secagem. ainda mais seco do que o Algodão Normal.
- **Algodão Cabide:** nível de secagem que permite colocar no armário as peças de roupa que não precisam de ser engomadas

Delicados

- Este programa é utilizado para secar peças delicadas (acrílicos).
- Pode ser utilizado para cargas de até **2.0** kg.
- As cargas secas com este programa ficam normalmente prontas a serem usadas, mas algumas peças podem ficar ligeiramente húmidas. Neste caso, retire a carga e distenda as roupas ou coloque-as do avesso. Em seguida, inicie novamente o programa por um período mais breve.

Programa Lã

Este programa destina-se às peças de roupa que suportam a secagem em tambor, identificadas com o símbolo . Pode ser utilizado para cargas de até **1 kg** (cerca de 3 blusões). É aconselhável colocar as peças do avesso antes da secagem. Este programa demora cerca de **1:00** (hrs:mins), mas pode durar mais tempo, dependendo das dimensões e da densidade da carga e da velocidade de centrifugação usada na máquina de lavar roupa. As cargas secas com este programa ficam normalmente prontas a serem usadas, mas algumas peças mais pesadas os rebordos podem ficar ligeiramente húmidos. Deixe-as secar naturalmente para evitar que outro processo de secagem as possa danificar.

! Ao contrário de outros materiais, o mecanismo de encolhimento da lã é irreversível, ou seja, a peça de roupa não recupera as suas dimensões e a sua forma original.

! Este programa não é indicado para peças de roupa acrílica.

Programa Jeans

Este programa destina-se aos jeans de algodão denim. Antes de secar os jeans, volte os bolsos da frente do avesso. Pode ser utilizado para cargas de até **3 kg** (cerca de 4 pares).

As cargas secas com este programa ficam normalmente prontas a serem usadas. Os rebordos e as costuras podem ficar ligeiramente húmidos. Neste caso, tente colocar os jeans do avesso e reactivar o programa por um breve período.

! Utilize este ciclo exclusivamente para as cargas de algodão 100%; não misture peças de cores escuras e claras; não use este programa para peças com bordados e acessórios (elásticos na cintura, broches, etc.); vire do avesso os bolsos.

Programa Sport Shoes

Este é um programa para secar um par de sapatos desportivos. Os sapatos deve ser lavados e centrifugados a uma velocidade de centrifugação mínima de **400 rotações**.


Devem ser usadas com o específico separador para sapatos fornecido. Se secar os sapatos no tambor, a máquina de secar roupas será danificada. Remova o filtro da sua posição na parte anterior da máquina e posicione o separador.

Coloque dentro os laços dos sapatos e os sapatos com as pontas para baixo e as solas na frente.


Os tempos de secagem variam conforme o formato e o tipo de sapato. Se os sapatos não estiverem completamente secos no fim do programa, faça um novo ciclo.

! Não seque sapatos que contenham gel ou luzes intermitentes. Seque somente sapatos feitos de material sintético ou pano. No fim do programa, remova o separador para calçados e posicione novamente o filtro.

Programa Sport Intensive

Este programa foi estudado para secar com segurança vestuário desportivo como fatos de treino, calções, com o símbolo . Pode ser usado para cargas de até **4 kg**. Aconselhamos virar do avesso as peças antes de iniciar a secagem.

Programa Sport Light

Este programa foi estudado para secar com segurança vestuário desportivo como fatos de treino, calções, com o símbolo  Ideal para as peças que não precisam secar completamente ou que devem ser passadas a ferro. Pode ser usado para cargas de até **4 kg**. Aconselhamos virar do avesso as peças antes de iniciar a secagem.

Programa Tecidos Técnicos

Este programa é dedicado à secagem dos tecidos hidrorrepelentes e anoraques (por ex. Goretex, poliéster, nulon). A secagem após a lavagem possui um efeito benéfico para as roupas pois reactiva o tratamento hidrorrepelente.

Pode ser utilizado para cargas de até **2 kg**.

Passé Fácil

É um breve programa de 10 minutos que estica as fibras das peças facilitando a sua passagem e a dobragem.

O programa é particularmente indicado para os tecidos de Algodão ou Mistura de algodão.

Para melhores resultados não carregue o tambor além da sua capacidade máxima (os seguintes valores reverem-se ao peso das roupas secas):

Tecido: carga máxima - Algodão e Mistura de algodão: **2,5 kg** - Sintéticos: **2 kg** - Jeans: **2 kg**

Esvazie a máquina de secar roupa imediatamente após o fim do programa. Pendure, dobre ou passe as peças de roupa e, em seguida, coloque-as no armário. Se tal não for possível, repita o programa.

! Este não é um programa de secagem, pelo que não deve ser utilizado com peças ainda molhadas.

O efeito produzido pelo programa varia de tecido para tecido: as características dos tecidos como fibras acrílicas ou Tencel® não consentem obter os mesmos resultados das fibras tradicionais (por ex. algodão).

Arejar tecidos

Programa breve adaptado para arejar as fibras e as roupas através da emissão de ar frio. Dura aproximadamente **20 minutos**.

! Este não é um programa de secagem, pelo que não deve ser utilizado com peças ainda molhadas.

Pode ser utilizado com cargas de qualquer dimensão mas é mais eficaz com cargas mais pequenas.

Opções

As opções consentem personalizar o programa seleccionado conforme as próprias exigências.

Secagem temporizada

Após ter seleccionado um programa, para inserir a duração da secagem pressione o botão secagem temporizada. Cada vez que pressionar este botão, é apresentada no visor a duração de secagem seleccionada. Com a primeira pressão do botão aparece no visor o valor máximo admitido para o ciclo seleccionado. Cada pressão sucessiva reduz o tempo configurado até o **OFF**. Se a opção de secagem temporizada não estiver disponível, são emitidos três sinais acústicos.

Início retardado

O início de alguns programas (*consulte Programas e opções*) pode ser retardado até **24** horas. Pressione várias vezes o botão até alcançar o tempo de atraso de desejado. Antes de definir um início retardado, certifique-se de que o recipiente de recolha da água está vazio e que o filtro está limpo. Durante este período, as peças de roupa são rodadas periodicamente para evitar a formação de dobras.

Temperatura alta

Se for seleccionada uma secagem temporizada, ao pressionar este botão selecciona-se uma temperatura alta e o indicador luminoso posicionado acima do botão acende-se. Os programas temporizados têm por configuração uma temperatura baixa.

Engomar Fácil

Esta opção, quando seleccionada, fornece ao ciclo escolhido o melhor grau de humidade para facilitar e agilizar a passagem a ferro. Desta forma, é possível obter um nível de secagem adicional (*consulte Programas e opções*).

Memo

Esta opção permite memorizar ou relembrar o ciclo e as respectivas opções anteriormente memorizadas, à excepção do início retardado.

- Para efectuar a memorização, pressione a tecla Memo durante 3 segundos, em pausa ou depois de o ciclo ter iniciado. Depois de seleccionado o ciclo pretendido e as respectivas opções, pode-se proceder à memorização. Ao pressionar prolongadamente a tecla Memo, o LED da opção fica intermitente, tal como o tempo no ecrã, e após os 3 segundos, um sinal sonoro avisa o utilizador de que a memorização foi completada.
- Para relembrar a opção, basta ligar a máquina de secar e pressionar o botão Memo e Início. Tal como nos outros ciclos, é possível modificar as opções e configurações, excepto em caso de incompatibilidade. Em intervalos de 2 minutos, surgirá no ecrã o número do ciclo relembrado. Caso não tenha sido memorizado qualquer ciclo, um sinal sonoro e visual indicará a ausência do mesmo.
- Para registar um novo programa, basta repetir a operação de memorização.

Alarme

Um sinal acústico avisará do fim do ciclo de secagem para indicar que o programa terminou e que as roupas podem ser retiradas do aparelho.

! Nem todas as opções estão disponíveis para todos os programas (*consulte Programas e opções*).

Abertura da porta

Se abrir a porta (ou premir o botão START/PAUSE) durante o funcionamento de um programa, a máquina de secar roupa pára com as seguintes consequências.

- O indicador luminoso START/PAUSE pisca de cor laranja.
 - Durante o início retardado, o retardamento continua a ser contado. É necessário premir o botão de START/PAUSE para retomar o programa de início retardado. O indicador luminoso "Início retardado" pisca e no visor aparece o tempo faltante para o início do programa seleccionado.
 - É necessário premir o botão de START/PAUSE para retomar o programa. Os indicadores luminosos de avanço mostram o estado actual e o indicador luminoso START/PAUSE pára de piscar e fica verde.
 - Durante a fase de anti-dobras pós-secagem, o programa termina. Se premir o botão START/PAUSE, é reiniciado um novo programa desde o início.
 - Girando o selector de Programas, selecciona-se um novo programa e o indicador luminoso START/PAUSE fica verde intermitente. É possível utilizar este procedimento para seleccionar o programa Secagem a frio para arrefecer as peças de roupa se se considerar que estão suficientemente secas.
- Prima o botão de START/PAUSE para iniciar o novo programa.

Nota: Em caso de corte de energia, desligue a corrente ou retire a tomada. Quando a energia for restabelecida, ligue a máquina, prima continuamente o botão **ON/OFF** até que a secadora volte a ligar e prima o botão Iniciar/Pausa.

Roupa

PT

Triagem da roupa

- Verifique os símbolos que constam das etiquetas das diversas peças para se certificar de que podem ser submetidas a secagem em tambor.
- Efectue a triagem da roupa consoante o tipo de tecido.
- Esvazie os bolsos e verifique os botões.
- Feche os fechos de correr e outros fechos e ate os cintos e os laços sem apertar demasiado.
- Torça as peças de roupa para eliminar a maior quantidade de água possível.

! Não carregue a máquina de secar roupa com peças de roupa completamente cheias de água.

Dimensões máximas de carga

Não exceda a capacidade máxima do tambor.

Os valores seguintes referem-se ao peso das peças secas:

Fibras naturais: máximo 8 kg

Fibras sintéticas: máximo 3 kg

! Para evitar uma diminuição no desempenho da máquina de secar roupa, não a sobrecarregue.

Etiquetas de manutenção

Verifique as etiquetas das peças de roupa, especialmente quando é a primeira vez que as coloca na máquina de secar roupa. São indicados a seguir os símbolos mais comuns:

- Pode colocar-se na máquina de secar.
- Não colocar na máquina de secar
- Secar a alta temperatura.
- Secar a baixa temperatura.

Tempos de secagem

Os tempos são aproximativos e podem variar consoante:

- A quantidade de água retida nas peças após a centrifugação: as toalhas e as peças delicadas retêm muita água.
- Tecidos: as peças de roupa do mesmo tecido, mas com trama e espessura diferentes, podem apresentar tempos de secagem distintos.
- A quantidade de roupa: peças únicas e cargas pequenas podem demorar mais tempo a secar.
- A secagem: se tiver de passar a ferro as peças de roupa, pode retirá-las da máquina quando ainda estão um pouco húmidas. Por seu turno, as peças de roupa que são para secar completamente podem ficar na máquina durante mais tempo.
- A temperatura definida.
- A temperatura da divisão: quanto mais baixa for a temperatura da divisão em que se encontra a máquina de secar roupa, mais tempo será necessário para secar as peças de roupa.
- O volume: algumas peças volumosas requerem uma atenção especial durante o processo de secagem. É aconselhável retirar essas peças, sacudi-las e colocá-las novamente na máquina: esta operação deve ser repetida várias vezes durante o ciclo de secagem.

! Não seque demasiado as peças de roupa. Todos os tecidos contêm humidade natural que permite conservar a suavidade e a leveza.

Os tempos fornecidos referem-se aos programas automáticos de Secagem armário.

Os pesos referem-se às peças secas.

Tempos de secagem

Algodão								
Alta temperatura								
Tempos de secagem após lavagens de 800-1000 rotações por minuto								
	1 kg	2 kg	3 kg	4 kg	5 kg	6 kg	7 kg	8 kg
Automática (hrs:mins)	0:30-0:40	0:40-0:55	0:55-1:10	1:10-1:20	1:20-1:30	1:35-2:00	2:00-2:20	2:10-2:40
A tempo (hrs:mins)	0:30 ou 1:00	0:40 ou 1:20	0:50 ou 1:20	1:00 ou 1:40	1:20 ou 2:00	2:00 ou 2:40	2:20 ou 3:00	2:40 ou 3:00
Sintéticos								
Baixa temperatura								
Tempos de secagem após lavagens com velocidades inferiores								
	1 kg	2 kg	3 kg					
Automática (hrs:mins)	0:30 - 0:40	0:40 - 0:50	0:50 - 1:10					
A tempo (hrs:mins)	0:30 ou 1:00	0:40 ou 1:20	1:00 ou 1:30					
Acrílicos								
Baixa temperatura								
Tempos de secagem após lavagens com velocidades inferiores								
	1 kg	2 kg						
Automática (hrs:mins)	0:40 - 1:20	1:00 - 1:40						
A tempo (hrs:mins)	0:30	1:00						

Se lhe parecer que a máquina de secar roupa não está a funcionar correctamente, antes de contactar o Centro de Assistência (*consulte Assistência*), consulte atentamente as seguintes sugestões para a resolução dos problemas.

Problema:

Possíveis causas/ Soluções:

A máquina de secar roupa não arranca.

- A ficha não ficou bem encaixada na tomada eléctrica para que possa fazer contacto.
- Ocorreu um corte de corrente.
- O fusível está queimado. Tente ligar outro electrodoméstico na mesma tomada.
- Se utilizar uma extensão, tente inserir a ficha da máquina de secar roupa directamente na tomada.
- A porta não foi fechada correctamente.
- O programa não foi definido correctamente (*consulte Como efectuar uma secagem*).
- Não foi pressionado o botão START/PAUSE (*consulte Como efectuar uma secagem*).
- Nas máquinas dotadas da função de bloqueio das teclas, verifique se a opção não está ativada (*consulte Programas e opções*).

O ciclo de secagem não se inicia.

- Foi definido um tempo de retardamento (*consulte Programas e opções*).
- Foi premido o botão de START/PAUSE; Antes de iniciar a máquina de secar roupa, é necessário aguardar um breve período de atraso. Aguarde o início da secagem, não volte a premir o botão de START/PAUSE: caso contrário, a máquina passa para o modo de pausa e não inicia a secagem.

Os tempos de secagem são longos.

- O filtro não foi limpo (*consulte Manutenção*).
- O recipiente de recolha da água deve ser esvaziado? O indicador luminoso “Esvaziar recipiente” fica intermitente e é apresentada a mensagem “h2o” (*consulte Manutenção*).
- O filtro da Bomba de calor deve ser limpo (*consulte Manutenção*).
- A temperatura definida não é adequada ao tipo de tecido que se pretende secar (*consulte Programas e opções*).
- Não foi seleccionado o tempo de secagem correcto para esta carga (*consulte Roupa*).
- A grelha de admissão de ar ou os respiradouros da parte posterior estão obstruídos (*consulte Instalação e Manutenção*).
- As peças de roupa estão demasiado molhadas (*consulte Roupa*).
- A máquina de secar roupa está sobrecarregada (*consulte Roupa*).

O indicador luminoso “Esvaziar recipiente” fica intermitente, mas a máquina está a funcionar há pouco tempo.

- É provável que o recipiente de recolha da água não tenha sido esvaziado no início do programa. Não espere pelo sinal de esvaziamento da água. Verifique sempre o recipiente e esvazie-o antes do início de um novo programa de secagem (*consulte Descrição da máquina de secar roupa*).

O indicador luminoso “Esvaziar recipiente” está aceso, mas o recipiente de recolha da água não está cheio.

- É normal: o indicador luminoso “Esvaziar recipiente” fica intermitente quando o recipiente está cheio. Se o indicador luminoso estiver aceso sem intermitência, indica apenas que o recipiente de recolha deve ser esvaziado (*consulte Descrição da máquina de secar roupa*).

O programa termina e as peças de roupa estão mais húmidas que o previsto.

- ! Por razões de segurança, os programas da máquina de secar roupa têm uma duração máxima de 5 horas. Se um programa automático não tiver detectado a humidade final necessária dentro deste intervalo, a máquina de secar conclui o programa e pára. Verifique os pontos supramencionados e repita o programa. Se as peças de roupa continuarem húmidas, contacte o Centro de Assistência (*consulte Assistência*).

No visor, é apresentado o código F seguido de um ou dois números, e os indicadores luminosos de opção e o indicador luminoso da pausa ficam intermitentes.

- Se o visor mostrar a letra F seguida por um ou dois algarismos, desligar o aparelho, extrair a ficha, limpar o filtro (*ver manutenção*). Sucessivamente, inserir novamente a ficha de alimentação, ligar o aparelho e iniciar um novo programa de secagem. Se a mensagem persistir, anotar o algarismo e contactar o centro de Assistência (*consulte Assistência*).

No visor, é apresentada por breves instantes a indicação “dOn” a cada 6 segundos.

- A máquina de secar roupa encontra-se no modo “Demo”. Mantenha premidos os botões ON/OFF e START/PAUSE durante 3 segundos. No visor, é apresentada a indicação “dOn” durante 3 segundos e a máquina de secar roupa retoma o seu funcionamento normal.

O Tempo restante altera-se durante a secagem.

- O tempo restante é constantemente monitorizado durante o ciclo de secagem e o tempo é alterado para apresentar a melhor estimativa possível. O tempo visualizado pode aumentar durante o ciclo, o que é normal.

A máquina de enxugar é ruidosa nos primeiros minutos de funcionamento.

- Isto é normal, sobretudo se a máquina de enxugar ficou inutilizada por algum tempo. Se o ruído persistir durante todo o ciclo, contacte o centro de assistência técnica.

As luzes do painel de controlo da máquina de secar estão desligadas, apesar de a máquina estar ligada.

- A máquina de secar entrou no modo de stand-by para poupar energia. Isto ocorre quando a máquina é deixada acesa ou quando ocorre uma falha de energia. Ocorre após 30 minutos:
 - se deixar a máquina de secar acesa sem iniciar um programa;
 - depois de terminar o programa de secagem.

Antes de contactar o Centro de Assistência:

- Siga o guia de resolução de problemas para tentar resolver a avaria pessoalmente (*consulte Problemas e soluções*).
- Caso contrário, desligue a máquina e contacte o Centro de Assistência mais próximo de si.

Dados para comunicar ao Centro de Assistência:

- Nome, endereço e código postal;
 - número de telefone;
 - tipo de avaria;
 - data de aquisição;
 - modelo do aparelho (Mod.);
 - número de série (S/N) da máquina de secar roupa.
- Estas informações encontram-se na etiqueta de dados situada na parte posterior do óculo.

Informações sobre a reciclagem e a eliminação

No âmbito do nosso constante empenhamento em defesa do meio ambiente, reservamo-nos o direito de utilizar componentes reciclados de qualidade para reduzir os custos do cliente e minimizar o desperdício de materiais.

- Eliminação dos materiais de embalagem: siga as normas locais para que a embalagem possa ser reciclada.
- Para reduzir o risco de acidentes com crianças, retire a porta e a ficha, e corte o cabo de alimentação rente ao aparelho. Elimine estes componentes separadamente para ter a certeza de que o electrodoméstico não volta a ser ligado a uma tomada de corrente eléctrica.

Eliminação



A directiva Europeia 2012/19/CE relativa aos resíduos de equipamentos eléctricos e electrónicos (REEE) prevê que os electrodomésticos não devem ser eliminados no normal fluxo dos resíduos sólidos urbanos. Os aparelhos que deixaram de ser utilizados devem ser recolhidos separadamente para otimizar a taxa de recuperação e reciclagem dos materiais que os compõem e impedir potenciais danos à saúde e ao meio ambiente.

O símbolo do contentor de lixo barrado com uma cruz está presente em todos os produtos para lembrar o dever de recolha selectiva. Para mais informações sobre o correcto desmantelamento dos electrodomésticos, contacte o serviço público especializado ou os revendedores.

Peças de reposição

Esta máquina de secar roupa é uma máquina complexa. Tentar repará-la pessoalmente ou por pessoal não qualificado pode colocar em risco a integridade física das pessoas, danificar a máquina e anular a garantia que cobre as peças de reposição.

Em caso de problemas com o uso desta máquina, contacte sempre um técnico autorizado.



Este electrodoméstico está em conformidade com a seguintes directivas CE:

- 2006/95/CE (Directivas de baixa tensão);
- 2004/108/CE (Compatibilidade electromagnética).

SÈCHE-LINGE

FR

Français

IDCE G45 B H

www.indesit.com

 Ce symbole vous rappelle de lire ce mode d'emploi.

! Conservez cette notice d'utilisation et d'installation à portée de main de manière à pouvoir vous y référer si nécessaire. Conservez cette notice toujours à côté du sèche-linge et si vous vendez cet appareil ou que vous le donniez à un tiers, faites en sorte que cette notice accompagne le sèche-linge de manière à ce que le nouveau propriétaire soit informé des avertissements et des conseils concernant le fonctionnement de ce sèche-linge.

! Lisez attentivement ce mode d'emploi : les pages suivantes contiennent des informations importantes concernant l'installation et des conseils relatifs au fonctionnement de cet appareil.

Table des matières

Installation, 50

Où installer le sèche-linge
Ventilation
Raccordement électrique
Informations préliminaires

Précautions, 52

Sécurité générale
Économie d'énergie et protection de l'environnement

Soin et entretien, 54

Interruption de l'alimentation électrique
Nettoyage du filtre après chaque cycle
Contrôle du tambour après chaque cycle
Vidange du réservoir d'eau après chaque cycle
Nettoyage du groupe condenseur
Nettoyage du sèche-linge

Description du sèche-linge, 56

Caractéristiques
Tableau de bord

Comment effectuer un cycle de séchage, 58

Démarrage et choix du programme

Programmes et options, 59

Tableau des programmes
Programmes Spécial/Sport/Partiaux
Options
Ouverture de la porte

Linge, 62

Tri du linge
Étiquettes d'entretien
Temps de séchage

Problèmes et solutions, 63

Assistance, 64

Pièces détachées
Informations pour le recyclage et la mise au rebut

FR

Installation

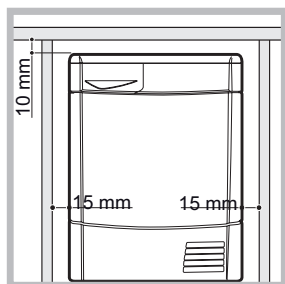
FR

Où installer le sèche-linge

• Placez votre sèche-linge à une certaine distance des cuisinières, fourneaux, radiateurs, ou plaques de cuisson à gaz, car les flammes peuvent endommager cet appareil.

Si vous installez cet appareil sous un plan de travail, faites en sorte de laisser un espace de 10 mm entre le dessus de l'appareil et tout autre objet sur ou au-dessus de celui-ci, et un espace de 15 mm entre ses côtés et les éléments d'ameublement ou les murs latéraux. Ceci a pour objectif d'assurer une ventilation convenable.

La surface arrière de l'appareil doit être placée contre un mur.



Ventilation

• Lorsque le sèche-linge est en marche, une aération adéquate est nécessaire. Faites en sorte d'installer votre sèche-linge dans un environnement qui n'est pas humide et qui est doté d'une bonne circulation d'air dans toute la pièce. La circulation d'air autour du sèche-linge est essentielle pour condenser l'eau produite au cours du lavage ; le sèche-linge ne fonctionnera pas efficacement dans un espace clos ou dans un placard.

! Si l'on utilise le sèche-linge dans une pièce froide ou petite, on rencontrera un certain degré de condensation.

! Nous vous déconseillons d'installer votre sèche-linge dans un placard ; par ailleurs, le sèche-linge ne doit en aucun cas être placé derrière une porte fermant à clé, une porte coulissante ou une porte montée sur des gonds du côté opposé à la porte de chargement du sèche-linge.

Vidange de l'eau

Si votre sèche-linge est installé à proximité d'une évacuation, l'eau peut être vidangée directement dans ce tuyau. Cela évite d'utiliser et de vider le réservoir d'eau.

Si vous installez le sèche-linge au-dessus ou à côté d'un lave-linge, il pourra partager la même vidange. Il suffit de débrancher le tuyau indiqué par la figure A et de le brancher à la vidange.

Si la vidange est plus loin que la longueur du tuyau, il est possible d'acheter et de brancher un tuyau ayant le même diamètre et la longueur nécessaire.

Pour installer le nouveau il suffit de remplacer le tuyau existant comme illustré par la figure B dans la même position.

! La hauteur de la vidange doit être inférieure à 1 m en partant du bas du sèche-linge.

! Assurez-vous que le tuyau n'est pas écrasé ou plié une fois le sèche-linge placé dans sa position définitive.

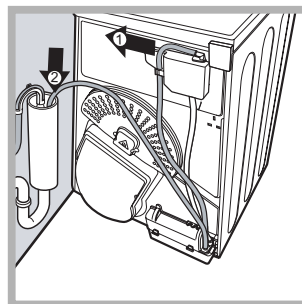


Fig. A

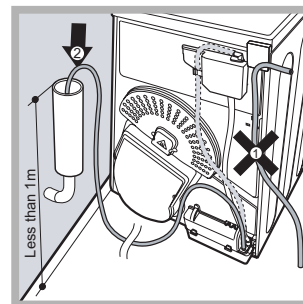


Fig. B

Raccordement électrique

Assurez-vous des points suivants avant de brancher la fiche de l'appareil dans la prise de mains :

- Assurez-vous d'avoir les mains sèches.
- La prise de courant doit être reliée à la terre.
- La prise de courant doit pouvoir supporter la puissance maximale de la machine, qui est indiquée sur la plaque signalétique de l'appareil (voir Description du sèche-linge).
- La tension électrique doit appartenir à la gamme de valeurs indiquée sur la plaque signalétique de l'appareil (voir Description du sèche-linge).
- La prise de courant doit être compatible avec la fiche du sèche-linge. Autrement, remplacez la prise ou la fiche.

! N'UTILISEZ PAS DE RALLONGES.

! Le sèche-linge ne doit pas être utilisé à l'extérieur, même si l'espace en question est abrité. Cela peut être dangereux si l'appareil est exposé à la pluie ou à des orages.

! Une fois le sèche-linge installé, le cordon d'alimentation et la fiche doivent être d'accès facile.

! Le cordon d'alimentation ne doit pas être courbé ou écrasé.

! Si la fiche à remplacer est de type incorporée, il faut l'éliminer conformément aux consignes de sécurité. Ne la laissez jamais dans un endroit où elle peut être branchée à une prise et provoquer ainsi un choc électrique.

! Le câble électrique doit être contrôlé périodiquement. Si le câble est endommagé, il faut le faire remplacer par le fabricant, par son service après-vente ou par tout autre personnel qualifié afin d'éviter tout risque de danger. (voir *Service après-vente*). Des cordons d'alimentation neufs ou plus longs sont fournis par les revendeurs agréés contre un supplément..

! Le fabricant rejette toute responsabilité en cas de non-respect de toutes ou partie de ces règles.

! En cas de doute au sujet des points précédents, consultez un électricien qualifié.

Informations préliminaires

Une fois que vous avez installé votre sèche-linge, et avant de l'utiliser, nettoyez l'intérieur du tambour pour retirer les poussières qui pourraient s'y être accumulées pendant le transport.

Charge maximale: 8 kg


Données techniques - Réglementation 392/2012.	
Marque	Indesit
Modèle	IDCE G45 B H (EU)
Capacité nominale de linge en coton pour le « programme coton standard » à pleine charge - kg	8.0
Ce sèche-linge domestique à tambour est un sèche-linge	À condens.
Classe d'efficacité énergétique de A+++ (faible consommation) à D (consommation élevée)	B
La consommation d'énergie annuelle (AEC)* pondérée Kwh 1)	559.8
Ce sèche-linge domestique à tambour est un sèche-linge	Automatique
Consommation d'énergie à pleine charge ; Edry- kWh 2)	4.77
Consommation d'énergie à demi-charge ; Edry½,- kWh 2)	2.53
Consommation d'électricité : mode arrêt (Po) - Watts	0.14
Consommation d'électricité : mode laissé sur marche (Pl) - Watts	2.39
Durée du mode laissé sur marche pour le système de gestion de la consommation d'électricité - minutes	30
Durée du programme - pondérée (Tt) pour pleine et demi-charge - minutes	104
Pleine charge (Tdry) - minutes	139
Demi-charge (Tdry½) - minutes	78
Classe de taux de condensation sur une échelle allant de G (appareils les moins efficaces) à A (appareils les plus efficaces)	B
Taux de condensation moyen - %	
pondéré (Ct) pleine et demi-charge 3)	81
charge pleine Cdr	82
demi-charge Cdry½	80
Niveau de bruit aérien - dB(A) re 1 pW	68.0
1) Le « programme coton standard » à charge pleine ou partielle et le « programme coton standard » à charge partielle sont les programmes standards auxquels se réfèrent les informations de l'étiquette et de la fiche. Ces programmes sont parfaits pour sécher du linge en coton au niveau armoire (0%) et ce sont aussi les programmes les plus efficaces au point de vue consommation d'énergie. La charge partielle est égale à la moitié de la charge nominale.	
2) La consommation annuelle est basée sur la base de 160 cycles de séchage pour le programme coton standard à pleine charge et à demi-charge, et de la consommation des modes à faible puissance. La consommation réelle d'énergie par cycle dépend des conditions d'utilisation de l'appareil.	
3) Moyenne pondérée de 3 cycles à pleine charge et de 4 cycles à demi-charge.	
Réglementation 932/2012.	
Synthétique: consommation d'énergie à pleine charge; kWh	1.41
Synthétique: pleine charge (Tdry) - minutes	65
Synthétique: demi-charge N/A	

Précautions

FR

! Cet électroménager a été conçu et réalisé conformément aux normes internationales de sécurité. Ces consignes sont fournies pour des raisons de sécurité, il faut les respecter scrupuleusement.

Sécurité générale

- Ce sèche-linge peut être utilisé par des personnes (notamment des enfants de plus de 8 ans) présentant des capacités physiques, motrices ou mentales réduites, ou manquant d'expérience et de connaissances, si elles sont placées sous surveillance ou ont reçu les instructions nécessaires à l'utilisation de l'appareil de la part d'une personne responsable de leur sécurité.
- Ce sèche-linge a été conçu pour un usage domestique, et non professionnel.
- Ne touchez pas cet appareil lorsque vous êtes pieds nus ou avec des mains ou des pieds humides.
- Débranchez cette machine en tirant sur la fiche et non sur le cordon.
- Après avoir utilisé ce sèche-linge, éteignez-le et débranchez-le. Tenez la porte fermée pour assurer que les enfants ne jouent pas avec.
- Surveillez les enfants de façon à ne pas les laisser jouer avec le sèche-linge.
- Le nettoyage et l'entretien ne doivent pas être effectués par des enfants non surveillés.
- Les enfants de moins de 3 ans doivent être tenus à bonne distance du sèche-linge s'ils ne sont pas sous surveillance constante.
- Cet appareil doit être installé correctement et avoir une ventilation convenable. L'arrivée d'air sur le devant du sèche-linge et l'évent derrière le sèche-linge ne doivent jamais être obstrués (voir Installation).
- N'utilisez jamais le sèche-linge sur de la moquette où la hauteur des poils empêcherait l'air d'entrer dans le sèche-linge à partir de la base.
- Vérifiez que le sèche-linge est bien vide avant de le charger.
-  L'arrière du sèche-linge peut devenir très chaud.
Ne le touchez jamais en cours d'utilisation.
- N'utilisez pas le sèche-linge si le filtre, le réservoir d'eau et le condenseur ne sont pas bien en place (voir Entretien).
- Ne surchargez pas le sèche-linge (voir Linge pour les charges maximales).
- Ne chargez pas d'articles qui dégouttent d'eau.
- Vérifiez avec soin toutes les instructions sur les étiquettes des vêtements (voir Linge).
- Ne séchez pas d'articles de grande taille, très volumineux.
- Ne séchez pas de fibres acryliques à hautes températures.
- N'éteignez pas le sèche-linge s'il contient encore des articles chauds.
- Nettoyez le filtre après chaque utilisation (voir Entretien).
- Videz le réservoir d'eau après chaque utilisation (voir Entretien).
- Nettoyez le groupe condenseur à intervalles réguliers (voir Entretien).
- Ne laissez pas s'accumuler de peluches autour du sèche-linge.
- Ne montez jamais sur le sèche-linge. Cela pourrait l'endommager.
- Respectez toujours les normes et exigences électriques (voir Installation).
- Achetez toujours des pièces de rechange et accessoires d'origine (voir Service Après-vente).

Vous devez observer les consignes suivantes pour réduire tout risque d'incendie dans votre sèche-linge :

- Ne séchez que des articles qui ont été lavés avec de l'eau et un détergent, rincés et essorés. Le fait de sécher des articles qui N'ONT PAS été lavés avec de l'eau constitue un danger d'incendie.
- Ne séchez pas des vêtements qui ont été traités avec des produits chimiques.
- Ne placez pas d'articles tachés ou imbibés d'huile végétale ou de cuisson, ils risqueraient de provoquer un incendie. Les articles contenant de l'huile peuvent prendre feu spontanément, particulièrement lorsqu'ils sont exposés à des sources de chaleur comme un sèche-linge. En chauffant, les articles provoquent une réaction d'oxydation avec l'huile générant alors de la chaleur. Si la chaleur ainsi générée ne peut pas être évacuée, les articles peuvent devenir suffisamment chauds pour prendre feu. Le fait d'empiler, de superposer ou de stocker des articles contenant de l'huile peut empêcher la chaleur d'être évacuée et donc provoquer un incendie. Si vous ne pouvez pas faire autrement que de placer des articles

contenant de l'huile végétale ou de l'huile de cuisson ou ayant été en contact avec des produits coiffants dans le sèche-linge, il convient de les laver au préalable à l'aide d'une dose supplémentaire de détergent. Cette précaution minimise, sans toutefois l'éliminer, le risque d'incendie. Les articles ne doivent pas être retirés du sèche-linge et empilés ou superposés lorsqu'ils sont chauds.

- Ne placez pas d'articles ayant été préalablement nettoyés ou lavés, imbibés ou tachés avec du pétrole/de l'essence, des solvants de nettoyage à sec ou d'autres substances inflammables ou explosives. Les substances hautement inflammables couramment utilisées dans l'environnement domestique sont notamment l'huile de cuisson, l'acétone, l'alcool dénaturé, la kérosène, les détachants, la térébenthine, les cires et les produits permettant d'éliminer la cire. Assurez-vous que ces articles ont été lavés à l'eau chaude à l'aide d'une dose supplémentaire de détergent avant de les mettre à sécher dans le sèche-linge.
- Ne placez pas d'articles contenant du caoutchouc mousse (également connu sous l'appellation mousse de latex) ou des matériaux similaires renfermant du caoutchouc dans le sèche-linge. Les matériaux contenant du caoutchouc mousse peuvent, lorsqu'ils sont chauffés, s'enflammer par combustion spontanée.
- Les produits assouplissants ou les produits similaires ne doivent pas être utilisés dans un sèche-linge en vue d'éliminer les effets de l'électricité statique sauf si leur emploi est spécifiquement recommandé par le fabricant du produit assouplissant.
- Ne placez pas de sous-vêtements contenant des renforts en métal comme les soutiens-gorge à armature dans le sèche-linge. Si les renforts en métal venaient à se détacher pendant le séchage, ils pourraient endommager le sèche-linge.
- Ne placez pas d'articles en caoutchouc ou en plastique dans le sèche-linge, comme des bonnets de douche ou des couvertures étanches pour bébé, des articles en polyéthylène ou en papier.
- Ne placez pas d'articles contenant des pièces de caoutchouc plaquées, des vêtements présentant des pièces en mousse de caoutchouc, des oreillers, des bottes en caoutchouc et des tennis

recouvertes de caoutchouc dans le sèche-linge.

- Enlever tous les objets des poches, notamment les briquets et les allumettes.

! ATTENTION: N'arrêtez pas le sèche-linge avant la fin du cycle de séchage si vous n'avez pas la possibilité de retirer rapidement tous les articles et de les étendre pour évacuer la chaleur.

Économie d'énergie et protection de l'environnement

- Essorez les articles pour éliminer l'eau en excès avant de les passer au sèche-linge (si vous utilisez une machine à laver, sélectionnez un cycle d'essorage à grande vitesse). Ceci vous permettra d'économiser de l'énergie durant le séchage.
- Séchez toujours des charges complètes – vous économiserez de l'énergie : les articles uniques ou les petites charges prennent plus longtemps à sécher.
- Nettoyez le filtre après chaque utilisation pour limiter les coûts de consommation d'énergie (voir Entretien).

Soin et entretien

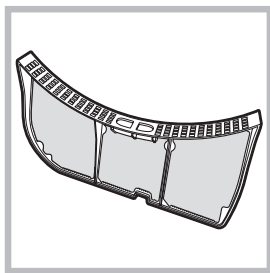
FR

Interruption de l'alimentation électrique

! Débranchez votre sèche-linge lorsque vous ne l'utilisez pas, lorsque vous le nettoyez et durant toutes les opérations d'entretien.

Nettoyage du filtre après chaque cycle

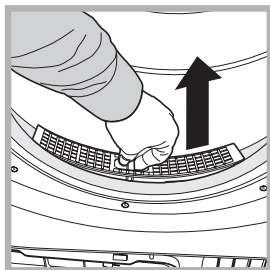
Le filtre est une pièce importante de votre sèche-linge : il accumule des peluches qui se forment durant le séchage.



Par conséquent, une fois le séchage terminé, nettoyez le filtre en le rinçant sous l'eau courante ou avec votre aspirateur. Si le filtre devient bloqué, le flux d'air à l'intérieur du sèche-linge est sérieusement

compromis: les temps de séchage sont allongés et vous consommez davantage d'énergie. Cela peut aussi endommager votre sèche-linge.

Le filtre se trouve devant le joint du sèche-linge (voir figure).



Pour retirer le filtre :
1. Tirez la poignée en plastique du filtre vers le haut (voir figure).
2. Nettoyez le filtre et remettez-le correctement en place. Assurez-vous que le filtre soit bien inséré à fond dans le joint du sèche-

linge.

! N'utilisez pas le sèche-linge sans avoir remis le filtre en place.

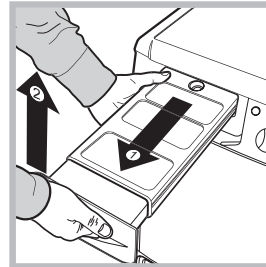
Contrôle du tambour après chaque cycle

Tournez le tambour à la main afin de retirer les petits articles (mouchoirs) qui pourraient y avoir été oubliés.

Nettoyage du tambour

! Pour nettoyer le tambour, ne pas utiliser d'abrasifs, de laine d'acier ni de produits de nettoyage pour acier inoxydable. Un film coloré peut parfois apparaître à la surface du tambour en acier inoxydable. Il peut être dû à une combinaison de l'eau et/ou des produits de nettoyage (ex. adoucissant textile provenant du lavage). Ce film coloré n'affecte pas la performance du sèche-linge.

Vidange du réservoir d'eau après chaque cycle



Sortez le réservoir du sèche-linge et videz-le dans un évier ou autre évacuation appropriée. Remettez le réservoir d'eau bien en place. Toujours vérifier et vider le réservoir avant de commencer un nouveau programme de séchage.

Si le réservoir d'eau n'est pas vidé, les problèmes suivants peuvent se vérifier :

- L'arrêt du chauffage de l'appareil (le linge pourrait donc être encore humide à la fin du cycle de séchage).
- La led « Vider l'eau » s'allume pour signaler que le réservoir est plein.

Chargement du système de collecte de l'eau

Quand le sèche-linge est neuf, le réservoir d'eau ne reçoit pas l'eau tant que le système n'est pas chargé. Cette opération peut prendre 1 ou 2 cycles de séchage. Une fois qu'il a été chargé, le système commence à recevoir l'eau à chaque cycle.

Nettoyage du groupe condenseur

• Périodiquement (chaque mois) retirez le groupe condenseur et nettoyez toute accumulation de peluche entre les plaques en le rinçant sous le robinet à l'eau froide.

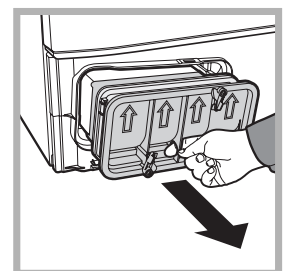
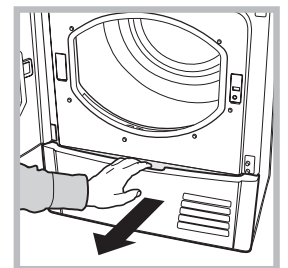
Pour retirer le condenseur :

1. Débranchez le sèche-linge et ouvrez la porte.

2. Ouvrez le couvercle du condenseur (voir figure). Dégagez les trois loquets en tournant à 90° dans le sens

contraire aux aiguilles d'une montre, puis tirez sur la poignée et retirez-le du sèche-linge.

3. Nettoyez la surface des joints d'étanchéité et replacez le groupe, les flèches tournées vers le haut, en vous assurant que les loquets ont été bien bloqués.



Nettoyage du sèche-linge

- Pour nettoyer l'extérieur en métal et en plastique et les parties en caoutchouc, utiliser un chiffon humide.
- Périodiquement (tous les 6 mois), aspirez la grille d'entrée d'air de devant, ainsi que les éventails à l'arrière du sèche-linge pour retirer toute accumulation de peluche ou de poussière. En outre, pour éliminer l'accumulation de peluche de l'avant du condenseur et de la zone du filtre, nettoyez occasionnellement à l'aide d'un aspirateur.

! N'utiliser ni solvants ni abrasifs.

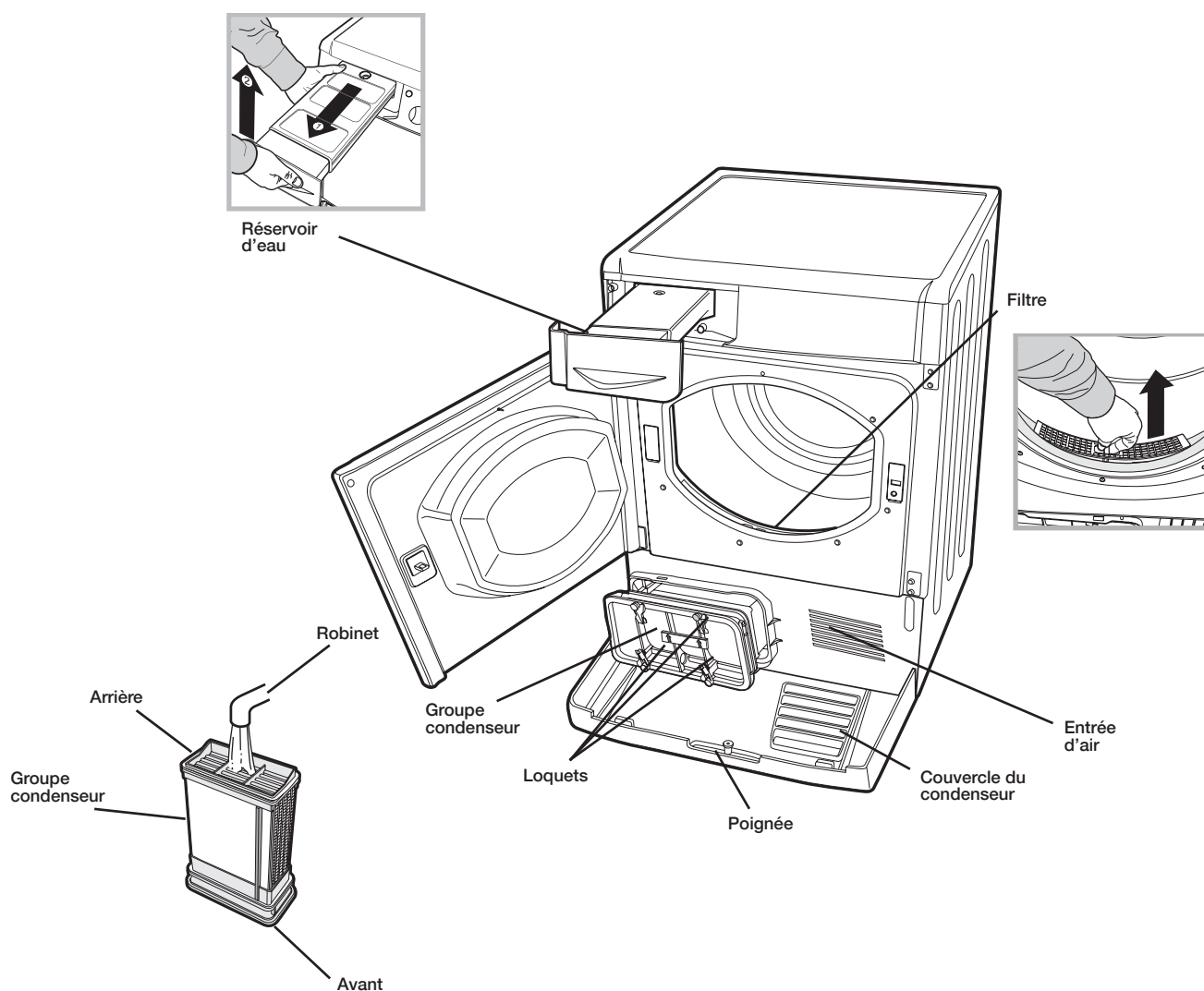
! Faites vérifier régulièrement votre sèche-linge par des techniciens agréés pour assurer la sécurité électrique et mécanique (voir Service après-vente).

Conseils rapides

! N'oubliez pas de nettoyer le filtre de la porte et le filtre du condenseur après chaque séchage.

! N'oubliez pas de vider le récipient recueillant l'eau après chaque charge.

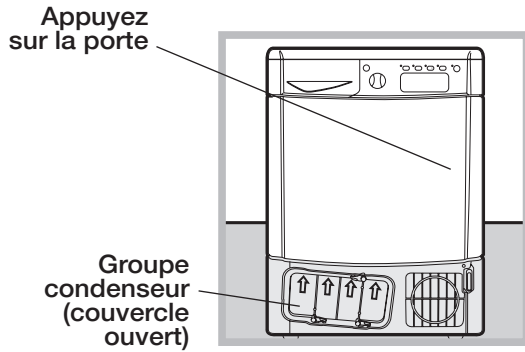
! Vous obtiendrez ainsi, des performances optimales !



Description du sèche-linge

FR

Ouverture de la porte



Caractéristiques

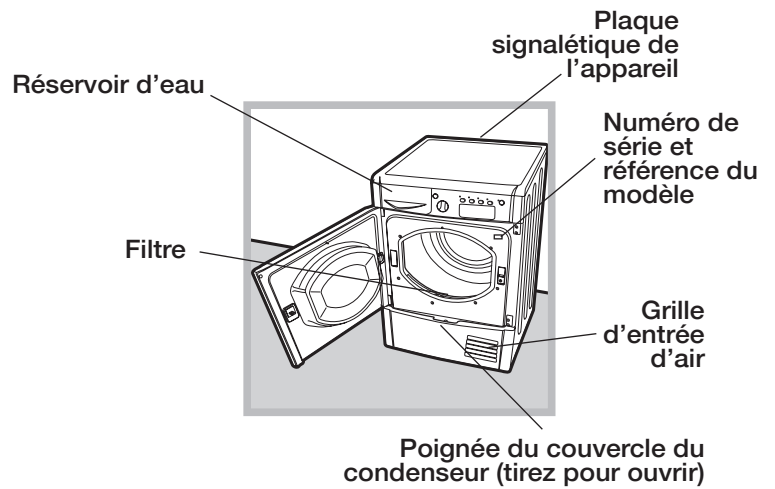
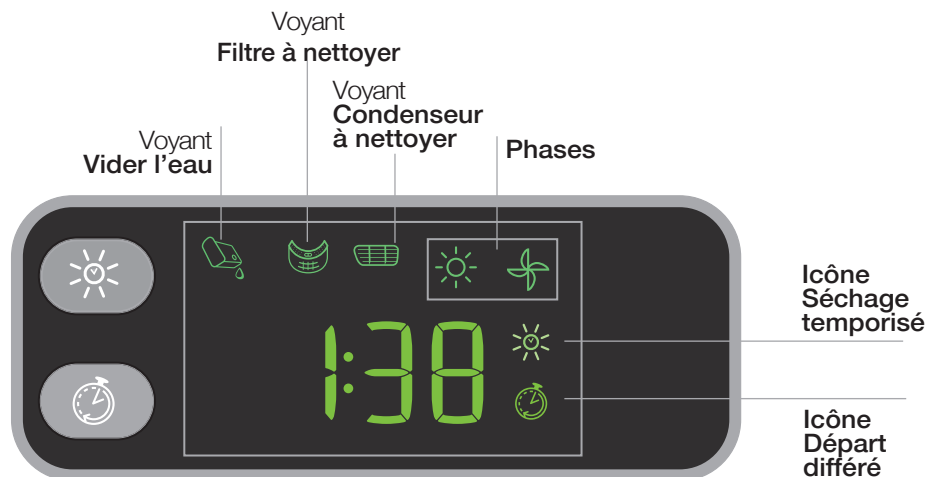
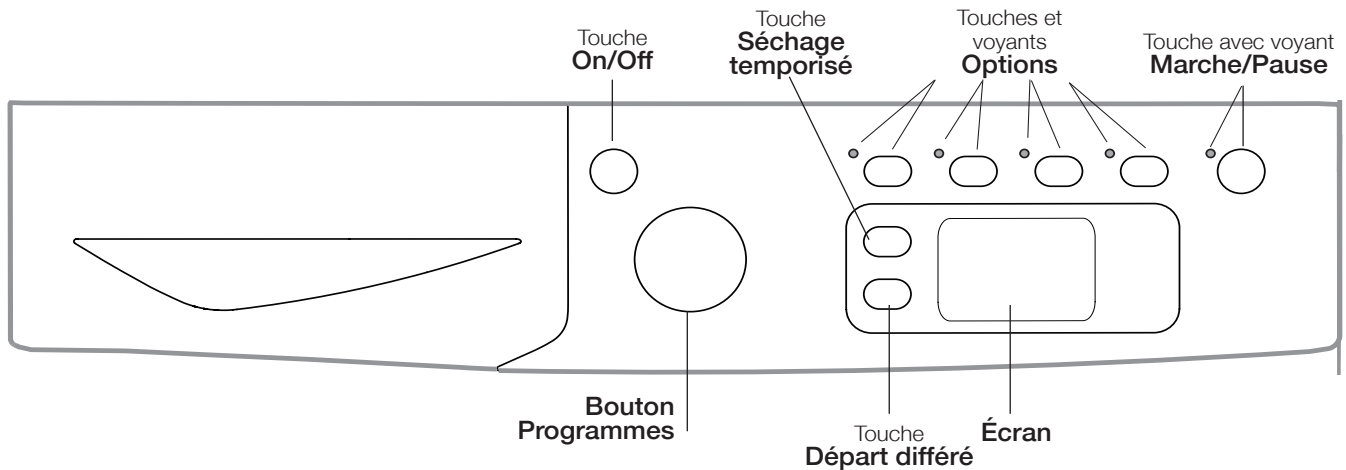


Tableau de bord



Touche ON/OFF/Reset

Une pression normale sur cette touche fait allumer ou éteindre l'appareil. Si le sèche-linge est en marche, une pression prolongée d'au moins 3 secondes fait éteindre l'appareil et remettre à zéro le cycle en cours.

Bouton Programmes

Permet de sélectionner les programmes : tournez le bouton jusqu'à positionner l'indicateur sur le programme souhaité (voir Démarrage et choix du programme).

Touches options

Permettent de choisir les options disponibles pour le programme sélectionné. Les voyants correspondants s'allument pour indiquer que les options ont été sélectionnées (voir Programmes et options).

Touche avec voyant MARCHE/PAUSE

Quand le voyant vert clignote lentement, appuyer sur la touche pour démarrer le programme. Une fois que le cycle est démarré, le voyant reste allumé. Pour activer une pause de programme, appuyer à nouveau sur la touche ; le voyant passe à l'orange et se met à clignoter.

Pour faire redémarrer le programme exactement à l'endroit de l'arrêt, appuyez une nouvelle fois sur la touche (voir Démarrage et choix du programme).

Écran

La section **A** affiche la valeur du « Séchage temporisé » programmé ; si un « Départ différé » a été programmé, le temps restant avant le démarrage du programme sélectionné est affiché.

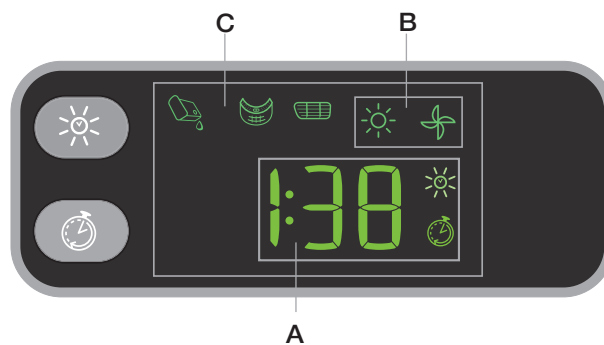
Cette section affiche également la durée du programme choisi.

La section **B** affiche la phase du programme en cours :

Icône du soleil ☀️ : Séchage

Icône du rotor 🌀 : Cycle d'air froid

La section **C** affiche les voyants d'entretien (voyant Vider l'eau 🚰, voyant Filtre à nettoyer 🌀, voyant Nettoyage Condenseur à nettoyer 🧼), voir Voyants.



Voyants

Les voyants fournissent des informations importantes. Voilà ce qu'ils signalent :

Le voyant "Vider l'eau" 🚰 indique qu'il est nécessaire de vider le réservoir d'eau.

Si ce réservoir se remplit complètement au cours du programme, la led s'allume. Le sèche-linge lance automatiquement le cycle d'air froid et la led MARCHE/PAUSE commence à clignoter en ambre. Pour faire redémarrer le cycle là où il avait été interrompu, appuyez sur la touche MARCHE/PAUSE.

Pour éviter cette procédure, videz toujours le réservoir d'eau après chaque utilisation du sèche-linge (voir Entretien).


Le voyant "Filtre à nettoyer" 🌀 avant chaque programme sert à rappeler qu'il est essentiel de nettoyer le filtre chaque fois avant d'utiliser le sèche-linge (voir Entretien).

Le voyant Nettoyage "Condenseur à nettoyer" 🧼 sert à rappeler qu'il est essentiel de nettoyer le condenseur périodiquement (voir Entretien).

Comment effectuer un cycle de séchage

FR

Démarrage et choix du programme

1. Branchez la fiche du sèche-linge dans la prise de courant électrique.
2. Sélectionnez le programme en fonction du type de linge (*voir Linge*).
3. Ouvrez la porte et assurez-vous que le filtre est propre et en place et que le réservoir d'eau est vide et en place (*voir Entretien*).
4. Chargez la machine en faisant attention à ce qu'aucun vêtement ne s'interpose entre la porte et le joint de la porte. Fermez la porte.
5. Appuyez sur la touche ON/OFF pour mettre l'appareil en marche.
6. Tournez le bouton Programmes jusqu'à positionner l'indicateur sur le programme correspondant au type de linge à sécher, en contrôlant le tableau des programmes (*voir Programmes et options*) et les indications pour chaque type de tissu (*voir Linge*).
! Attention : si la position du bouton change après avoir appuyé sur la touche MARCHE/PAUSE, la nouvelle position NE MODIFIE PAS le programme sélectionné. Pour modifier le programme appuyez sur la touche MARCHE/PAUSE pour activer une pause de programme (le voyant se met à clignoter en orange), ensuite choisissez le nouveau programme et les options correspondantes. Appuyez sur la touche MARCHE/PAUSE pour lancer le nouveau programme.
7. Choisissez le « Séchage temporisé » en appuyant sur la touche correspondante jusqu'à atteindre le niveau ou le temps souhaités (*voir Programmes et options*).
8. Si nécessaire, programmez le temps de départ différé et les autres options (*voir Programmes et options*).
9. Si vous voulez que l'avertisseur sonore se déclenche à la fin du programme, appuyez sur la touche ALARME .
10. Appuyez sur la touche MARCHE/PAUSE pour commencer. Le temps restant prévu s'affiche à l'écran. Pendant le programme de séchage vous pouvez contrôler le linge et sortir les vêtements qui ont déjà séché, en laissant continuer les autres. Après avoir refermé la porte, appuyez sur MARCHE/PAUSE pour remettre l'appareil en marche.
11. Les dernières minutes avant que tout programme de séchage ne soit terminé, l'appareil entre dans la phase finale de SÉCHAGE À FROID (les tissus sont refroidis), que vous devez toujours laisser se terminer.
12. Pour vous informer que le programme est terminé, trois bips retentissent et le mot « **END** » apparaît sur l'écran (remarque : si l'option ALARME a été sélectionnée, les trois bips retentissent toutes les 30 secondes pendant 5 minutes). Ouvrez la porte, sortez votre linge, nettoyez le filtre et remettez-le en place. Videz le réservoir d'eau et remplacez-le (*voir Entretien*).

Si les vêtements ne sont pas retirés à la fin du cycle, l'action **Anti-froissement automatique** fera en sorte que, pour les programmes dotés de cette fonction, le tambour continue de tourner par intermittence pendant 10 heures maximum pour limiter le froissement. Si la porte est ouverte ou en cas de pression sur le bouton **ON/OFF**, la fonction Anti-froissement s'arrête.

13. Débranchez le sèche-linge.

Anti-froissement automatique

Cette fonction automatique permet de limiter le froissement des vêtements avant et après le programme de séchage. En faisant tourner périodiquement le tambour avant le début du cycle de séchage en cas de départ différé, l'on évite l'apparition du froissement. Sur certains programmes (*voir Programmes et options*), le tambour tourne périodiquement à la fin du cycle. Ce traitement ultérieur continue jusqu'à l'ouverture du hublot ou la pression du bouton **ON/OFF**.

Stand-by

Ce sèche-linge, conformément aux nouvelles normes en vigueur dans le domaine de l'économie d'énergie, est équipée d'un système d'extinction automatique (veille) activé après 30 minutes environ d'inutilisation. Appuyez sur le bouton **ON/OFF** et maintenez-le enfoncé jusqu'à ce que le sèche-linge se remette en marche.

Tableau des programmes

	Programme	Charge maxi (Kg)	Options compatibles	Durée cycle	
Energy Saver					
1	Eco Coton	1	Memo - Alarme.	La durée des programmes est contrôlable sur l'afficheur***.	
2	Eco Chemises	1	Memo - Alarme		
3	Eco Synthétiques	1	Memo - Alarme		
Coton					
4	Coton Standard	Max.	Température élevée* - Repassage facile - Memo - Alarme - Séchage temporisé - Départ différé		
5	Cotone Intensif	Max.	Température élevée* - Memo - Alarme - Séchage temporisé - Départ différé		
6	Coton sur cintre	Max.	Température élevée* - Memo - Alarme - Séchage temporisé - Départ différé		
Spécial					
7	Synthétiques	3	Repassage facile - Memo - Alarme - Séchage temporisé - Départ différé		
8	Déliçats	2	Repassage facile - Memo - Alarme - Séchage temporisé - Départ différé		
9	Laine**	1	Repassage facile - Memo - Alarme		
10	Jeans	3	Repassage facile - Memo - Alarme - Départ différé		
Sport					
11	Baskets**	1 paire	Memo - Alarme		
12	Sport Intensif	4	Memo - Alarme - Départ différé		
13	Sport Léger	4	Memo - Alarme - Départ différé		
14	Outwear	2	Memo - Alarme - Départ différé		
Partiaux					
	Repassage facile**	2,5	Memo - Alarme		
	Refraîchissement**	-	Memo - Alarme		

Note: * Remarque : uniquement lorsque l'option de Séchage Temporisé est active. ** Ce programme n'est pas compatible avec la fonction **Anti-froissement automatique**. *** La durée de ces programmes peut dépendre de la charge de linge, du type de tissu, de la vitesse d'essorage utilisée et des options choisies.

Programmes Spécial/Sport/Partiaux

Programmes Energy Saver

Les programmes Energy Saver abaissent la consommation d'énergie et participent ainsi à la protection de l'environnement tout en réduisant la facture d'électricité ! Les programmes Energy Saver sont disponibles pour les divers types de textiles.

Ils ont été conçus pour assurer d'excellentes performances de séchage de petites charges.

Les programmes Energy Saver donnent d'excellents résultats de séchage grâce à un réglage parfait de la température et à une détection d'humidité minutieuse qui ont été optimisés pour obtenir le meilleur des résultats avec des charges de petites dimensions.


COTON

- **Coton Standard:** niveau de séchage qui permet de sécher les vêtements et de les ranger directement dans l'armoire.
- **Cotone Intensif:** niveau de séchage qui permet d'obtenir un niveau maximum de séchage. Encore plus sec que le programme Coton Standard.
- **Coton sur cintre:** niveau de séchage qui permet de placer sur le cintre les vêtements qui n'ont pas besoin de repassage.

Déliçats

- Programme utilisé pour sécher le linge délicat (acryliques).
- Il permet de sécher jusqu'à **2.0** kg de linge.
- Les charges séchées avec ce programme sont prêtes à l'emploi, mais il se peut qu'il y ait du linge encore légèrement humide. Dans ce cas, essayez de sortir le linge, de déplier les vêtements ou de les mettre à l'envers. Faites ensuite redémarrer le programme pour une courte durée.

Programme Laine

C'est un programme réservé aux articles supportant le séchage au tambour et portant le symbole . Vous pouvez l'utiliser pour des charges jusqu'à **1 kg** (3 pull-overs environ). Il est conseillé de tourner les vêtements à l'envers avant de les charger dans le sèche-linge. Ce programme prend **1:00** (hrs:mins) environ, mais parfois cette durée se prolonge, selon les dimensions de la charge, sa densité et la vitesse d'essorage du lave-linge. Les charges séchées avec ce programme sont normalement prêtes à porter, mais parfois les bords et les coutures des vêtements plus lourds peuvent s'avérer encore légèrement humides. Laissez-les sécher naturellement, car un autre cycle de séchage à la machine pourrait les endommager.

! Contrairement à d'autres matériaux, la laine subit un processus de rétrécissement qui est irréversible, dans ce sens que le vêtement ne reprend plus sa taille et sa forme d'origine.

! Ce programme n'est pas indiqué pour les articles en acrylique.

Programme Jeans

Ce programme est réservé aux jeans réalisés en coton denim. Avant de sécher les jeans, tournez à l'envers les poches avant. Vous pouvez l'utiliser pour des charges jusqu'à **3 kg** (4 paires environ).

Les charges séchées avec ce programme sont normalement prêtes à l'emploi, mais parfois les bords et les coutures peuvent s'avérer encore légèrement humides. Dans ce cas, essayez de retourner les jeans sur l'envers et faites redémarrer le programme pour une courte durée.

! N'utilisez ce cycle que pour les charges de coton 100% ; ne mélangez pas les couleurs claires aux couleurs foncées ; n'utilisez pas ce programme pour des vêtements avec des broderies ou des accessoires (élastiques à la taille, broches, ...); tournez à l'envers les poches.

Programme Baskets

Ce programme permet de sécher une paire de chaussures de sport. Les chaussures doivent avoir été lavées et essorées à une vitesse d'essorage d'au moins **400** tours/minute.

Vous devez utiliser le porte-chaussures fourni. Si vous séchez vos chaussures directement dans le tambour, cela va endommager votre sèche-linge. Retirez le filtre de sa position à l'avant du sèche-linge et mettez le porte-chaussures en place.

Rentrez les lacets à l'intérieur des chaussures et chargez celles-ci avec les pointes vers le bas et les semelles vous faisant face.


Les temps de séchage varient en fonction de la taille et du style de chaussures. Si les chaussures ne sont pas entièrement sèches à la fin du programme, redémarrez ce programme.

! Ne pas sécher de chaussures avec des inserts Gel ou des lumières clignotantes. Ne sécher que des chaussures en synthétique ou en toile. Une fois que vous avez terminé, retirez le porte-chaussures et remettez le filtre en place.

Programme Sport Intensif

Ce programme convient aux vêtements résistant au sèche-linge, comme les survêtements et les shorts portant le symbole . Il peut être utilisé pour des charges allant jusqu'à **4 kg**. Nous recommandons de retourner les vêtements sur l'envers avant de les sécher.

Programme Sport Léger

Ce programme convient aux vêtements résistant au sèche-linge, comme les survêtements et les shorts portant le symbole . Idéal pour le linge n'exigeant pas de séchage complet ou devant être ensuite repassé. Il peut être utilisé pour des charges allant jusqu'à **4 kg**. Nous recommandons de retourner les vêtements sur l'envers avant de les sécher.

Programme Outwaer

Ce programme est réservé au séchage des textiles hydrofuges et des anoraks (par ex. : goretex, polyester, nylon). Le séchage après le lavage a un effet bienfaisant sur le vêtement, car il ravive le traitement hydrofuge.

Vous pouvez l'utiliser pour des charges jusqu'à **2 kg**.

Repassage facile

C'est un programme court de 10 minutes qui relâche les fibres et les rend plus faciles à repasser et à plier.

Il fonctionne particulièrement bien sur les textiles traditionnels comme le coton ou les cotons mélangés.

Pour des résultats impeccables ne chargez pas plus que la capacité maximum (les chiffres suivants font référence au poids sec) :

Textile : charge maximum - Coton et cotons mélangés **2,5 kg** - Synthétiques : **2 kg** - Jeans : **2 kg**

Videz le sèche-linge aussitôt le programme terminé, suspendez, pliez ou repassez les articles et rangez-les dans l'armoire. Si cela n'est pas possible, répétez le programme.

! Ce n'est pas un programme de séchage et ne doit pas être utilisé pour des vêtements mouillés.

L'effet produit varie d'un textile à l'autre : il fonctionne bien sur les textiles traditionnels comme le coton, et moins bien sur les fibres acryliques et sur les matériaux comme le Tencel®).

Refraîchissement

Programme court qui sert à aérer les fibres et les vêtements avec de l'air frais. Il a une durée de **0:20** (hrs:mins) environ.

! Ce n'est pas un programme de séchage et ne doit pas être utilisé pour des vêtements mouillés.

Il peut être utilisé pour toute charge, mais il est plus efficace sur des charges peu importantes.

Options

Les options permettent de personnaliser le programme sélectionné en fonction de vos exigences.

Séchage temporisé

Après avoir sélectionné un programme, appuyez sur la touche Séchage temporisé pour programmer le temps de séchage. À chaque pression sur cette touche, la durée de séchage choisie est affichée à l'écran. À la première pression sur la touche, la valeur maximale autorisée pour le cycle sélectionné est affichée à l'écran. Toute pression successive réduit le temps programmé jusqu'à l'affichage de **OFF**. Si l'option de séchage temporisé n'est pas disponible, trois bips sonores sont émis.

Départ différé

Le départ de certains programmes (*voir Programmes et options*) peut être retardé d'un délai pouvant aller jusqu'à **24 heures**. Appuyez plusieurs fois de suite sur la touche jusqu'à ce que le retard désiré soit affiché. Avant de régler un départ différé, assurez-vous que le réservoir d'eau est vide et que le filtre est propre. Pendant ce cycle, les vêtements tournent régulièrement dans la machine pour empêcher le froissement.

Température élevée

Si un séchage temporisé est sélectionné, appuyez sur cette touche pour régler une température élevée. Le voyant au-dessus de la touche s'allume. Les programmes minutés sont par défaut réglés sur une température douce.

Repassage Facile

Lorsque cette option est sélectionnée, elle garantit le meilleur taux d'humidité pour le cycle choisi, ce qui permet un repassage plus facile et plus rapide. Il est possible d'obtenir un niveau de séchage supplémentaire. (*voir Programmes et options*)

Memo

Cette option permet de mémoriser ou de rappeler le cycle et les options correspondantes mémorisées précédemment sauf le départ différé.

- La mémorisation se produit en appuyant pendant 3 secondes sur la touche Memo et peut être effectuée tant en pause qu'en cycle lancé. Après avoir sélectionné le cycle désiré et les options correspondantes, il est possible de procéder à la mémorisation. Pendant la pression prolongée de la touche Memo, la LED de l'option clignotera tout comme le temps sur l'afficheur. À la fin des 3 secondes, un signal sonore préviendra l'utilisateur que la mémorisation a eu lieu.

- Pour rappeler l'option, il suffira d'allumer le sèche-linge, d'appuyer sur la touche Memo et de mise en marche. Comme tout autre cycle, il est possible d'en modifier les options et les réglages, sauf en cas d'incompatibilité.

Le numéro du cycle rappelé apparaîtra sur l'afficheur toutes les 2 minutes. Si aucun cycle n'a été mémorisé, un signal acoustique et visuel en signalera l'absence.

- Pour enregistrer un nouveau programme, il suffit de répéter l'opération de mémorisation.

Alarme

Un signal sonore retentit à la fin du cycle de séchage pour indiquer que le programme est terminé et que les vêtements peuvent être retirés.

! Les options ne sont pas toutes disponibles pour tous les programmes (*voir Programmes et options*).

Ouverture de la porte

En ouvrant la porte (ou appuyant sur la touche Start/Pause) pendant le fonctionnement d'un programme, le sèche-linge s'arrête et les conséquences suivantes se produisent :

- Le voyant Start/Pause passe à l'orange et clignote.

- Pendant le départ différé, le retard continue d'être décompté. Il faut appuyer sur la touche de Start/Pause pour reprendre le programme de départ différé. Le voyant du « Départ différé » clignote et l'écran affiche le temps restant avant le démarrage du programme sélectionné.

- Il faut appuyer sur la touche de Start/Pause pour reprendre le programme. Les voyants d'avancement indiquent la phase en cours et le voyant de Start/Pause passe au vert et cesse de clignoter.

- Pendant la phase anti-froissement fin de séchage le programme sera interrompu. Appuyez sur la touche Start/Pause pour démarrer un nouveau programme dès le début.

- Tournez le bouton Programmes pour sélectionner un nouveau programme. Le voyant Start/Pause passe au vert et commence à clignoter. Suivez également cette procédure pour sélectionner le programme Séchage à froid pour refroidir les vêtements, si vous estimez qu'ils sont suffisamment secs.

Appuyez sur la touche Start/Pause pour commencer le nouveau programme.

Remarque : En cas de coupure de courant, coupez l'alimentation ou débranchez la prise. Une fois le courant rétabli, branchez la machine, appuyez sur le bouton **ON/OFF** et maintenez-le enfoncé jusqu'à ce que le sèche-linge se remette en marche puis appuyez sur le bouton Départ/Pause

Tri du linge

- Vérifiez les symboles sur les étiquettes des vêtements pour vous assurer que les articles peuvent être passés au sèche-linge.
- Triez votre linge par type de textile.
- Videz les poches et contrôlez les boutons.
- Fermez les fermetures éclair et les crochets et attachez les ceintures et les cordons, sans serrer.
- Essorez chaque article de manière à éliminer autant d'eau que possible.

! Ne chargez pas de vêtements mouillés qui gouttent dans le sèche-linge.

Capacités maximales de chargement

Ne chargez pas plus que la capacité maximale.
Les chiffres suivants font référence au poids sec :
Fibres naturelles : maximum 8 kg
Fibres synthétiques : maximum 3 kg

! Pour éviter que le sèche-linge ne perde de son efficacité, ne le surchargez pas.

Étiquettes d'entretien

Regardez les étiquettes sur vos vêtements, en particulier lorsque vous les séchez pour la première fois au sèche-linge. Les symboles suivants sont les plus courants :

- Séchage en machine.
- Pas de séchage en machine.
- Séchage à haute température.
- Séchage à basse température.

Temps de séchage

Ces temps sont approximatifs et peuvent varier en fonction des paramètres suivants :

- La quantité d'eau retenue dans les vêtements après le cycle d'essorage : les serviettes éponge et les textiles délicats retiennent une quantité importante d'eau.
- Les textiles : des articles qui sont constitué par le même type de textile mais qui ont des textures et des épaisseurs différentes peuvent ne pas avoir le même temps de séchage.
- La quantité de linge : les articles uniques ou les petites charges peuvent prendre plus longtemps à sécher.
- Séchage : si vous avez l'intention de repasser certains de vos vêtements, vous pouvez les sortir de la machine alors qu'ils sont encore un peu humides. Les autres vêtements peuvent y rester plus longtemps si vous voulez qu'ils en sortent entièrement secs.
- Le réglage de la température.
- La température ambiante : si la pièce dans laquelle le sèche-linge est installé est froide, cela prendra plus longtemps à l'appareil pour sécher vos vêtements.
- Le volume : certains articles volumineux peuvent être séchés en machine avec quelques précautions. Nous vous suggérons de retirer plusieurs fois ces articles de la machine, de les secouer et de les remettre dans le sèche-linge jusqu'à ce que celui-ci ait terminé de les sécher.

! Ne séchez pas excessivement vos vêtements. Tous les issus contiennent une certaine quantité d'humidité naturelle, ce qui les rend doux et gonflants.

Les temps indiqués se réfèrent aux programmes automatiques Séchage armoire. Les poids font référence aux vêtements secs.

Temps de séchage

Coton								
Haute température								
Temps de séchage après 800-1000 trs/mn dans la machine à laver								
	1 kg	2 kg	3 kg	4 kg	5 kg	6 kg	7 kg	8 kg
Automatique (hrs:mins)	0:30-0:40	0:40-0:55	0:55-1:10	1:10-1:20	1:20-1:30	1:35-2:00	2:00-2:20	2:10-2:40
Temporisé (hrs:mins)	0:30 ou 1:00	0:40 ou 1:20	0:50 ou 1:20	1:00 ou 1:40	1:20 ou 2:00	2:00 ou 2:40	2:20 ou 3:00	2:40 ou 3:00
Synthétiques								
Basse température								
Temps de séchage après essorage réduit dans la machine à laver								
	1 kg		2 kg		3 kg			
Automatique (hrs:mins)	0:30 - 0:40		0:40 - 0:50		0:50 - 1:10			
Temporisé (hrs:mins)	0:30 ou 1:00		0:40 ou 1:20		1:00 ou 1:30			
Acrylique								
Basse température								
Temps de séchage après essorage réduit dans la machine à laver								
	1 kg			2 kg				
Automatique (hrs:mins)	0:40 - 1:20			1:00 - 1:40				
Temporisé (hrs:mins)	0:30			1:00				

Si vous trouvez que le sèche-linge ne fonctionne pas correctement, avant de contacter le Service après-vente (voir Assistance), consultez attentivement le tableau suivant afin de pouvoir résoudre les problèmes éventuels :

Problème :

Causes / Solutions possibles :

Le sèche-linge ne démarre pas.

- La fiche n'est pas suffisamment insérée dans la prise murale pour qu'il y ait contact.
- Il y a une panne de courant.
- Le fusible a sauté. Essayez de brancher un autre appareil dans la même prise électrique.
- Si vous utilisez une rallonge, essayez de brancher le cordon d'alimentation du sèche-linge directement dans la prise.
- La porte n'est pas bien fermée.
- Le programme n'a pas été convenablement réglé (voir Comment effectuer un cycle de séchage).
- La touche de START/PAUSE (MARCHE/PAUSE) n'est pas enfoncée (voir Comment effectuer un cycle de séchage).

Le cycle de séchage ne démarre pas.

- Un retard a été programmé (voir Programmes et options).
- La touche de START/PAUSE (MARCHE/PAUSE) a été appuyée ; il faut attendre quelques instants avant que le démarrage du sèche-linge. Attendez donc le début du séchage sans appuyer à nouveau sur la touche de MARCHE/PAUSE ; dans le cas contraire, l'appareil en mode de pause et ne fait pas démarrer le séchage.

L'appareil met longtemps à sécher.

- Le filtre n'a pas été nettoyé (voir Entretien).
- Le réservoir d'eau a-t-il besoin d'être vidé ? Le voyant « Vider l'eau » clignote et le message « h2o » s'affiche (voir Entretien).
- Le condenseur a besoin d'être nettoyé (voir Entretien).
- La température choisie n'est pas idéale pour le type de textile que vous séchez (voir Programmes et options).
- La durée de séchage correcte n'a pas été sélectionnée pour la charge (voir Linge).
- La grille d'entrée d'air ou les entrées d'air à l'arrière sont obstrués (voir Installation et Entretien).
- Les articles étaient trop mouillés (voir Linge).
- Le sèche-linge était surchargé (voir Linge).

Le voyant « Vider l'eau » clignote, mais le sèche-linge n'a fonctionné que pendant une courte période.

- Le réservoir d'eau n'a probablement pas été vidé au début du programme. N'attendez pas le signal de vidage d'eau, mais vérifiez toujours et videz le récipient avant de commencer un nouveau programme de séchage (voir Description du sèche-linge).

Le voyant « Vider l'eau » est allumé, mais le réservoir d'eau n'est pas plein.

- C'est normal. Le voyant « Vider l'eau » clignote quand le réservoir est plein. Si le voyant est allumé mais ne clignote pas, c'est simplement un rappel de vider le réservoir d'eau (voir Description du sèche-linge).

Le programme est terminé, mais le linge est plus humide que prévu.

- ! par mesure de sécurité, le sèche-linge a un temps maximum de programme de 4 heures. Si un programme automatique n'a pas détecté l'humidité finale requise dans le temps prévu, le sèche-linge terminera le programme et s'arrêtera. Vérifiez les points ci-dessus et lancez le programme à nouveau, si le linge est encore humide, contactez le Centre de service après-vente (voir Service après-vente).

Le code F est affiché à l'écran suivi d'un ou deux chiffres, les voyants des options et le voyant de la pause se mettent à clignoter.

- Le code F suivi d'un ou deux chiffres est affiché à l'écran éteignez l'appareil et débranchez la prise électrique. Nettoyez le filtre et le condenseur (voir Entretien). Rebranchez la prise électrique, mettez le sèche-linge en marche puis lancez un autre programme. Se le code F sont toujours affichés, contactez le Centre de Service après-vente (voir Service après-vente). Si d'autres codes sont affichés, notez-les et contactez le Centre de Service après-vente (voir Service après-vente).

L'afficheur visualise brièvement « dOn » toutes les 6 secondes.

- Le sèche-linge est en mode « Démo ». Appuyez simultanément sur les touches ON/OFF et MARCHE/PAUSE pendant 3 secondes. L'inscription « dOn » est affichée pendant 3 secondes, ensuite le sèche-linge recommence à fonctionner normalement.

Le temps restant change pendant le séchage.

- Le temps restant est contrôlé constamment pendant le cycle de séchage et est modifié au fur et à mesure pour afficher l'estimation la plus précise possible. Le temps affiché peut augmenter pendant le cycle ; cela est normal.

Le sèche-linge est bruyant durant les premières minutes d'utilisation.

- Cela est normal, surtout si le sèche-linge n'a pas été utilisé pendant une période de temps prolongée. Si le bruit persiste tout au long du cycle, appelez le SAV.

Les voyants situés sur le panneau de commande du sèche-linge sont éteints bien que celui-ci soit allumé.

- Le sèche-linge est passé en mode veille afin d'économiser de l'énergie. Cela se produit lorsque vous laissez le sèche-linge allumé ou bien après une panne de courant. Cela se produit au bout de 30 minutes :
 - si vous laissez le sèche-linge allumé sans lancer de programme ;
 - une fois que votre programme de séchage est terminé.Appuyez sur le bouton ON/OFF et maintenez-le enfoncé jusqu'à ce que le sèche-linge se remette en marche.



Indesit Company S.p.A. Viale Aristide Merloni, 47 60044 Fabriano (AN)

FR

Avant d'appeler le Centre de Service après-vente :

- Suivez le guide d'aide à la résolution des problèmes pour voir si vous n'arrivez pas à résoudre le problème vous-même (*voir Problèmes et solutions*).
- Dans le cas contraire, éteignez votre sèche-linge et contactez le Centre de Service après-vente le plus proche.

Informations à communiquer au Centre de Service après-vente :

- Nom, adresse et code postal ;
 - numéro de téléphone ;
 - le type de panne ;
 - la date d'achat ;
 - le modèle de l'appareil (Mod.) ;
 - le numéro de série (S/N) du sèche-linge.
- Vous trouverez ces renseignements sur l'étiquette collée derrière la porte.

Informations pour le recyclage et la mise au rebut

Dans le cadre de notre engagement envers la protection de l'environnement, nous nous réservons le droit d'utiliser des pièces recyclées de qualité afin de réduire les coûts pour notre clientèle et de limiter les gaspillages de matières premières.

- Mise au rebut du matériel d'emballage : respectez les réglementations locales, de manière à ce que l'emballage puisse être recyclé.
- Pour éviter que des enfants se blessent, ôtez la porte et la prise et puis coupez le câble secteur au ras de l'appareil. Jetez ces pièces séparément de sorte que l'appareil ne puisse plus être branché sur une prise de secteur.

Mise au rebut des électroménagers usagés



La directive européenne 2012/19/CE sur les déchets d'équipements électriques et électroniques (DEEE), prévoit que les électroménagers ne peuvent pas être traités comme des déchets solides urbains normaux. Les appareils usagés doivent faire l'objet d'une collecte séparée pour optimiser le taux de récupération et de recyclage des matériaux qui les composent et empêcher tout danger pour la santé et pour l'environnement. Le symbole de la poubelle barrée est appliqué sur tous les produits pour rappeler qu'ils font l'objet d'une collecte sélective.

Pour tout autre renseignement sur la collecte des électroménagers usés, prière de s'adresser au service public préposé ou au vendeur.

Pièces détachées

Ce sèche-linge est un appareil complexe. Si vous tentez de le réparer vous-même ou si vous confiez cette tâche à une personne non qualifiée, vous risquez de mettre en danger la sécurité des personnes, d'endommager l'appareil et d'annuler la garantie sur les pièces.

En cas de problème d'utilisation de cet appareil, contactez toujours un technicien agréé.



Cet appareil est conforme aux Directives Européennes suivantes :

- 2006/95/CE (Directives Basse Tension) ;
- 2004/108/CE (Compatibilité Électromagnétique).