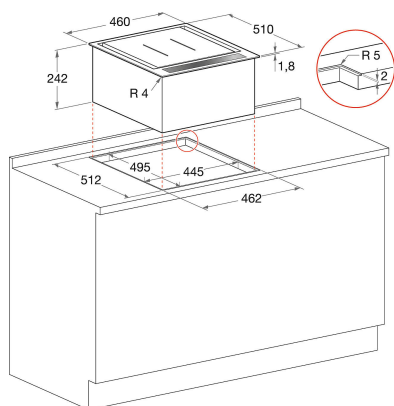


KHCMF 45000

12NC: 859991031600

GTIN (EAN) code: 8003437833434

KitchenAid



MAIN FEATURES

Product group	Hob
Construction type	Built-in
Type of control	Electronic
Type of control settings	-
Number of gas burners	0
Number of electric cooking zones	0
Number of electric plates	0
Number of radiant plates	0
Number of halogen plates	0
Number of induction plates	2
Number of electric warming zones	0
Location of control panel	Front
Basic surface material	Glass - inox frame
Main colour of product	Stainless steel
Electrical connection rating (W)	0
Gas connection rating (W)	0
Current (A)	0,2
Voltage (V)	N/A
Frequency (Hz)	N/A
Length of Electrical Supply Cord (cm)	100
Plug type	No
Gas connection	N/A
Width of the product	460
Height of the product	510
Depth of the product	241
Minimum niche height	0
Minimum niche width	0
Niche depth	0
Net weight (kg)	21,6
Automatic programmes	No

TECHNICAL FEATURES

Power on indicator	No
Number of indicators	0
Type of regulation	N/A
Type of lid	Stainless steel
Residual heat indicator	Without
Main on/off switch	Yes
Safety device	-
Timer	Yes

PERFORMANCES

Energy input	Electric
--------------	----------