



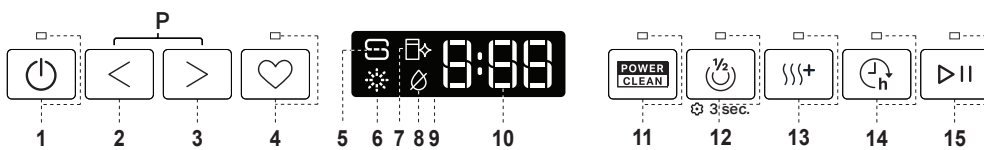
THANK YOU FOR BUYING A WHIRLPOOL PRODUCT.
In order to receive a more complete assistance, please register your appliance on: www.whirlpool.eu/register

Before using the appliance carefully read Safety and Installation Instructions. More information about your product available on website: docs.whirlpool.eu

⚠ After installation, please remember to remove all transport protection parts from the dishwasher.

CONTROL PANEL

1. **ON-OFF/Reset** button with indicator light
2. **PREVIOUS program** button
3. **NEXT program** button
4. **FAVOURITE program** button with indicator light
5. **Salt reservoir empty** indicator light
6. **Rinse Aid reservoir empty** indicator light
7. **DESCALE** indicator light
8. **Closed Water Tap** indicator light
9. **Display**
10. **Program number** and **remaining time** indicator
11. **Power Clean® option** button with indicator light
12. **Half Load option** button with indicator light/ **Settings** - 3 sec. press
13. **Extra Dry option** button with indicator light
14. **Delay option** button with indicator light
15. **START/Pause** button with indicator light



FIRST TIME USE

SETTING MENU

1. Switch on the appliance by pressing the **ON-OFF** (⏻) button.
2. Hold the **Settings** (⚙) (Half Load (1/2)) button for 3 seconds, until you hear a beep and the display shows, **SET**.
3. After one second the first available setting (letter, **h**) will be displayed.
4. Press **PREVIOUS</NEXT>** to scroll through the list of available settings (see table below), then press **START/Pause** (▶||) to view and change the value of the currently selected setting.
5. Press **PREVIOUS</NEXT>** to change the value, then press **START/Pause** (▶||) to save the new value and return to the main menu.
6. To change another setting, repeat points 4 and 5.
7. Press **ON-OFF** (⏻) or wait 30 seconds to exit the menu.

LETTER	SETTING	VALUES (Default - in bold)
h	Water Hardness Level (see "SETTING THE WATER HARDNESS" and "WATER HARDNESS TABLE")	1 2 3 4 5
i	Rinse Aid Level (see "ADJUSTING THE DOSAGE OF RINSE AID")	0 1 2 3 4 5
j	NaturalDry (see "OPTIONS AND FUNCTIONS") "1" = On, "0" = Off	1 0
k	Light on the floor (see "OPTIONS AND FUNCTIONS") "1" = On, "0" = Off	1 0
l	Sound "1" = On, "0" = Off	1 0
m	Factory Settings Press START/Pause to restore to the factory default all the values of the settings included in the settings menu.	-

FILLING THE SALT RESERVOIR

The use of salt prevents the formation of LIMESCALE on the dishes and on the machine's functional components. The salt reservoir is located in the lower part of the dishwasher (under the lower rack on the left side).

- It is mandatory that **the salt reservoir never be empty**.
- It is important to set the water hardness.
- Salt must be filled when **the SALT REFILL indicator light** (⊞) on the control panel is lit.



1. Remove the lower rack and unscrew the reservoir cap (anticlockwise).
2. Position the funnel (see figure) and fill the salt reservoir right up to its edge (approximately 0,5 kg); it is not unusual for a little water to leak out.
3. **Only the first time you do this: fill the salt reservoir with water.**

4. Remove the funnel and wipe any salt residue away from the opening. Make sure the cap is screwed on tightly so that no detergent can get into the container during the wash program (this could damage the water softener beyond repair).

Run a program every time as soon as you completed refilling the salt reservoir to avoid corrosion.

Setting the water hardness

To allow the water softener to work in a perfect way, it is essential that the water hardness setting is based on the actual water hardness in your house. This information can be obtained from your local water supplier. The factory setting is "3". See "WATER HARDNESS TABLE".

To change, follow instructions in section "SETTING MENU".

Water Hardness Table

Level	°dH German degrees	°fH French degrees	°Clark English degrees
1 (soft)	0 - 6	0 - 10	0 - 7
2 (medium)	7 - 11	11 - 20	8 - 14
3 (average)	12 - 16	21 - 29	15 - 20
4 (hard)	17 - 34	30 - 60	21 - 42
5 (very hard)	35 - 50	61 - 90	43 - 62

Only use salt that has been specifically designed for dishwashers.

After the salt has been poured into the machine, the SALT REFILL indicator light switches off.

If the salt container is not filled, the water softener and the heating element may be damaged as a result of limescale accumulation. Use of salt is recommended with any type of dishwasher detergent.

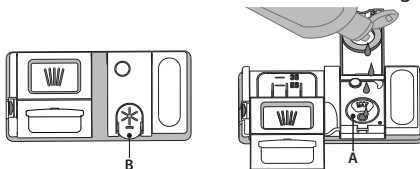
WATER SOFTENING SYSTEM

Water softener automatically reduces water hardness, consequently preventing scale buildup on the heater, contributing also to better cleaning efficiency. **This system regenerates itself with salt, therefore it is required to refill the salt container when empty.** The frequency of regeneration depends on the water hardness level setting - regeneration takes place once per 4-6 Eco cycles with the water hardness level set to 3. The regeneration process occurs at the beginning of the cycle with additional fresh water.

- Single regeneration consumes: ~3L of water;
- Takes up to 5 additional minutes for the cycle;
- Consumes below 0.005kWh of energy.

FILLING THE RINSE AID DISPENSER

Rinse aid makes dish DRYING easier. The rinse aid dispenser **A** should be filled when **the RINSE AID REFILL indicator light** (⊞) in the control panel is lit.



1. Open the dispenser **B** by pressing and pulling up the tab on the lid.
2. Pour in the rinse aid (max.110 ml), making sure it does not overflow from the dispenser. If this happens, clean the spill immediately with a dry cloth.

3. Press the lid down until you hear a click to close it.

NEVER pour the rinse aid directly into the appliance tub.

Adjusting the dosage of rinse aid

If you are not completely satisfied with the drying results, you can adjust the quantity of rinse aid used.

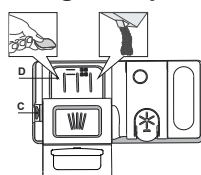
To change, follow instructions in the section "SETTING MENU".

If the rinse aid level is set to ZERO, no rinse aid will be supplied. The **LOW RINSE AID indicator light** will not be lit if you run out of rinse aid.

- A maximum of 6 levels can be set according to the dishwasher model.
- If you see bluish streaks on the dishes, set a low number (0-3).
- If there are drops of water or limescale marks on the dishes, set a mid-range number (4-5).

FILLING THE DETERGENT DISPENSER

To open the detergent dispenser use the opening device **C**. Introduce the detergent into the dry dispenser **D** only. Place the amount of detergent for pre-washing directly inside the tub.



1. When measuring out the detergent refer to the mentioned earlier information to add the proper quantity. Inside the dispenser **D**, there are indications to help the detergent dosing.
2. Remove detergent residues from the edges of the dispenser and close the cover until it clicks.
3. Close the lid of the detergent dispenser by pulling it up until the closing device is secured in place.

The detergent dispenser automatically opens up at the right time according to the program.

Usage of detergent not designed for dishwashers may cause malfunction or damage to the appliance.

DAILY USE

1. CHECK WATER CONNECTION

Check that the dishwasher is connected to the water supply and that the tap is open.

2. SWITCH ON THE DISHWASHER

Open the door and press the **ON/OFF** button.

3. LOAD THE RACKS (see *LOADING THE RACKS*).

4. FILL THE DETERGENT DISPENSER

5. CHOOSE THE PROGRAM AND CUSTOMISE THE CYCLE

Select the most appropriate program in accordance with the type of crockery and its soiling level (see *PROGRAMS DESCRIPTION*) by pressing the **PREVIOUS/NEXT** buttons.

Select the desired options (see *OPTIONS AND FUNCTIONS*). Not all options are compatible with all programs.

6. START

Start the wash cycle by pressing **START/Pause** button (led is lit) and closing the door within 4 sec. When the program starts you hear a single beep. If the door was not closed within 4sec., the alarm sound will be played. In this case, open the door, press **START/Pause** button and close the door again within 4 sec.

7. END OF WASH CYCLE

The end of the wash cycle is indicated by sound and the display shows **END**. Open the door and switch off the appliance by pressing the **ON/OFF** button.

Wait for a few minutes before removing the crockery - to avoid burns. Unload the racks, beginning with the lower one.

MODIFYING A RUNNING PROGRAM

If a wrong program was selected, it is possible to change it, provided that it has only just begun. **RESET** the machine: press and hold the **ON/OFF** button for more than 3. sec., and the machine will switch off. **The dashboard will show "0:01"**. Close the door and wait until drain cycle ends (around 1 minute). Open the door and switch the machine back on using the **ON/OFF** button and select the new wash cycle and any desired options. Start the cycle by pressing the **START/Pause** button and closing the door within 4 sec.

ADDING EXTRA CROCKERY

Without switching off the machine, open the door first slightly to avoid water splashing out (**START/Pause** led starts blinking) (**Caution! Hot steam!**) and place the crockery inside the dishwasher. Press the **START/Pause** button and close the door within 4 sec., the cycle will resume from the point at which it was interrupted.

ACCIDENTAL INTERRUPTIONS

If the door is opened during the wash cycle, or if there is a power cut, the cycle stops. **ONLY IF YOU PRESS** the **START/Pause** button and close the door within 4 sec., the cycle will resume from the point at which it was interrupted.

ADVICE AND TIPS

TIPS

Before loading the baskets, remove all food residues from the crockery and empty the glasses. **You do not need to rinse beforehand under running water.**

Arrange the crockery so that it is held in place firmly and does not tip over; and arrange the containers with the openings facing downwards and the concave/convex parts placed obliquely, thus allowing the water to reach every surface and flow freely.

Warning: lids, handles, trays and frying pans should not prevent the sprayer arms from rotating.

Place any small items in the cutlery basket.

Very soiled dishes and pans should be placed in the lower basket because in this sector the water sprays are stronger and allow a higher washing performance.

After loading the appliance, make sure that the sprayer arms can rotate freely.

UNSUITABLE CROCKERY

- Wooden crockery and cutlery.
- Delicately decorated glasses, artistic handicrafts and antique crockery. Their decorations are not resistant.
- Parts in synthetic material which do not withstand high temperatures.
- Copper and tin crockery.
- Crockery soiled with ash, wax, lubricating grease or ink.

The colours of glass decorations and aluminium/silver pieces can change and fade during the washing process. Some types of glass (e.g. crystal objects) can become opaque after a number of wash cycles too.

DAMAGE TO GLASS AND CROCKERY

- Only use glasses and porcelain guaranteed by the manufacturer as dishwasher safe.
- Use a delicate detergent suitable for crockery
- Collect glasses and cutlery from the dishwasher as soon as the wash cycle is over.

TIPS ON ENERGY SAVING

- When the household dishwasher is used according to the manufacturer's instructions, **washing tableware in a dishwasher usually consumes less energy and water than hand dishwashing.**
- In order to maximize dishwasher efficiency, it is recommended to **initiate the wash cycle once the dishwasher is fully loaded.** Loading the household dishwasher up to the capacity indicated by the manufacturer will contribute to energy and water savings. Information on the correct loading of tableware can be found in the Loading chapter. In case of partial loading, it is recommended to use a dedicated wash options if available (Half load/ Zone Wash/ Multizone), filling up only selected racks. Incorrect loading or overloading of the dishwasher may increase resources usage (such as water, energy and time, as well as increase noise level), reducing cleaning and drying performance.
- Manual pre-rinsing of tableware items leads to increased water and energy consumption and is not recommended.

HYGIENE

To avoid odour and sediment which can be accumulated in the dishwasher **please run a high-temperature program at least once a month.** Use a teaspoon of detergent and run it without loading to clean your appliance.

RESISTANCE TO FROST

If the appliance is placed in surroundings exposed to the risk of frost, it **must be drained completely.** Turn off the water tap, remove the inlet and outlet hoses, and let all the water drain away. **Make sure that the water softener is full of dissolved regeneration salt in the salt container,** to protect the appliance from temperatures of up to -20°C.

If the appliance was stored in frost conditions the appliance must remain at an ambient temperature of min. 5°C for **at least 24 hours** before the first run.

PROGRAMS TABLE

Program	Programs description	Drying phase	NaturalDry	Available options *)	Duration of wash program (h:min ^{**)}	Water consumption (litres/cycle)	Energy consumption (kWh/cycle)
P1 Eco	Eco 50° - Program is suitable to clean normally soiled tableware, that for this use, it is the most efficient program in terms of its combined energy and water consumption, and that it is used to assess compliance with the EU Ecodesign legislation.	✓	✓		3:30	9.5	0.76
P2	Auto Intensive 65° - Automatic program for heavily soiled dishes and pans.	✓	✓		2:25-3:10	15.5-24.5	1.30-1.70
P3	Auto Mixed 55° - Automatic program for normally soiled dishes with dried food residues.	✓	✓		1:20-3:00	7.5-19.5	0.75-1.20
P4	Auto Fast 50° - Automatic program for normally and lightly soiled dishes. The everyday cycle that ensures optimal cleaning and drying performance in a shorter time.	✓	✓		1:00-1:50	7.5-15.5	0.70-1.10
P5	Rapid 45° - Program is recommended for limited amount of lightly-soiled dishes with no dried food residues. Does not include the drying phase.	-	✓		0:30-0:40	10-12	0.55-0.65
P6	Crystals 45° - Program for delicate items, which are more sensitive to high temperatures, for example, glasses and cups.	✓	✓		1:40-1:50	12.5-16.5	0.95-1.20
P7	Silent 55° - Suitable for night-time operation of the appliance. Ensures optimal cleaning and drying performance with the lowest noise emission.	✓	✓		3:50-4:10	10.5-14.5	0.80-1.15
P8	Sanitizing 65° - Normally or heavily soiled crockery, with additional antibacterial wash. Can be used to perform maintenance of the dishwasher.	✓	-		1:55-2:10	12-19	1.40-1.80
P9	Prewash - Used to refresh crockery planned to be washed later. No detergent is to be used with this program.	-	✓		0:12	4.5	0.10
P10	Self Clean 65° - Program to be used to perform maintenance of the dishwasher, to be carried out only when the dishwasher is EMPTY using specific detergents designed for dishwasher maintenance.	-	-		1:15	11.0	1.10

ECO program data is measured under laboratory conditions according to European Standard EN 60436:2020.

Note for Test Laboratories: For information on comparative EN testing conditions, please send an email to the following address: dw_test_support@whirlpool.com

Pre-treatment of the dishes is not needed before any of the programs.

*) Not all options can be used simultaneously.

**) Values given for programs other than the program Eco are indicative only. The actual time may vary depending on many factors such as temperature and pressure of the incoming water, room temperature, amount of detergent, quantity and type of load, load balancing, additional selected options and sensor calibration. The sensor calibration can increase program duration by up to 20 min.

OPTIONS AND FUNCTIONS

OPTIONS can be selected/ deselected, after choosing the program, directly by pressing the corresponding button (if available - the indicator lights up) (see CONTROL PANEL). If an option is not compatible with the selected program (see PROGRAMS TABLE), the corresponding LED flashes rapidly 3 times and beeps will sound. The option will not be enabled. An option can change time or water or energy consumption for the program.

POWER CLEAN® - Thanks to the additional power jets this option provides a more intensive and powerful wash in the lower rack, in the specific area. This option is recommended for washing pots and casseroles (please refer to the Power Clean® in loading section).

HALF LOAD - If there are not many dishes to be washed, HALF LOAD is used to save water, electricity or time, depending on the selected program.

Remember to reduce the amount of detergent.

EXTRA DRY - The higher temperature during the final rinse and the extended drying phase which allows for improved drying. The EXTRA DRY option results in the lengthening of the wash cycle.

DELAY - The start of the program may be delayed for a period of time between **0:30** and **24** hours.

1. Select the program and any desired options. Press the DELAY button (repeatedly) to delay the start of the program. Adjustable from 0:30 to 24 hours. Once the 24 hours setting is reached, press the DELAY another time to deactivate the DELAY function.

2. Press the START/Pause button and close the door within 4 sec. the timer will begin counting down.

3. Once this time has elapsed, the indicator light switches off and the program begins automatically.

The DELAY function cannot be set once a program has been started.

SENSING - When the sensor is detecting the soil level an animation appears in the display (around 20 min.) and the cycle duration is updated. SENSING is for the level of soiling on the dishes and it is present for all cycles (excepting Eco) adjusting the program accordingly.

FAVOURITE PROGRAM - The FAVOURITE program may be saved and will be easily accessible. Find the program using PREVIOUS/NEXT, and then press the FAVOURITE PROGRAM button for 3 seconds.

LIGHT ON THE FLOOR - A LED light projected on the floor indicates that the dishwasher is working. The light goes off at the end of a cycle. This feature is active by default, but it is possible to deactivate it in the "SETTINGS MENU".

NaturalDry - It is a convection drying system which automatically opens the door during/after the drying phase to ensure exceptional drying performance every day. The door opens at a temperature that is safe to your kitchen furniture.

As additional steam protection, specially designed protection foil is added together with the dishwasher.

To see how to mount protection foil please refer to INSTALLATION GUIDE.

This feature is active by default, but it is possible to deactivate it in the "SETTINGS MENU".

DESCALE - Alarm - Limescale accumulation was detected on the internal components of the appliance. Check if the **Water Hardness Setting** is at the correct value and **salt** is present in the salt container (see **FIRST TIME USE**), then **use a descaling product** (WPro brand is recommended) with the **Self-Clean program**. After a successful descaling, the icon will stop being displayed.

If the actions above are not performed, product performance will deteriorate. DESCAL warning will start blinking and «**DES**» alarm will appear on the display. If still no action is taken, the appliance will only allow a certain number of cycles to be started (indicated during «**DES**» alarm display) and then will be **BLOCKED** to prevent component damage, **with only the Self-Clean program available**. Performing a full descaling will unblock the product. In the case of extremely high amounts of limescale, descaling may have to be performed twice to be efficient.

WATER TAP CLOSED - Alarm - Flashes when there is no inlet water or water tap is closed.

LOADING THE RACKS

CAPACITY: 15 standard place-settings

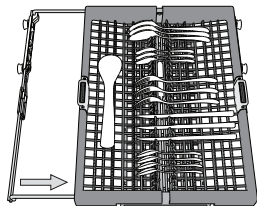
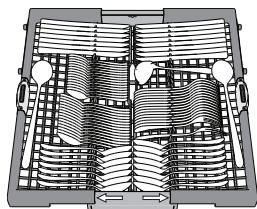
CUTLERY RACK

The third rack was designed to house the cutlery.

Arrange the cutlery as shown in the figure. A separate arrangement of the cutlery makes collection easier after washing and improves washing and drying performance.

Knives and other utensils with sharp edges must be positioned with the blades facing downwards.

The cutlery rack is equipped with two sliding side trays to make the most of the height of the space below and enable the loading of high items into the upper rack.

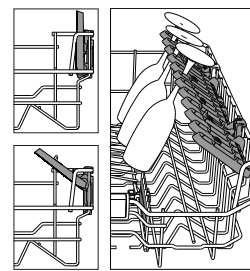


Foldable flaps with adjustable position

The side foldable flaps can be folded or unfolded to optimize the arrangement of crockery inside the rack. Wine glasses can be placed safely in the foldable flaps by inserting the stem of each glass into the corresponding slots.

Depending on the model:

- to unfold the flap there is needed to slide it up and rotate or release it from the snaps and pull it down.
- to fold the flap there is needed to rotate it and slide flap down or pull it up and attach flap to the snaps.

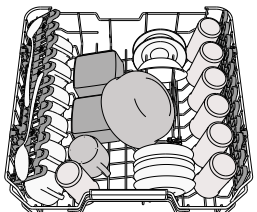


UPPER RACK

Load delicate and light dishes: glasses, cups, saucers, low salad bowls.

The upper rack has tip-up supports which can be used in a vertical position when arranging tea/ dessert saucers or in a lower position to load bowls and food containers.

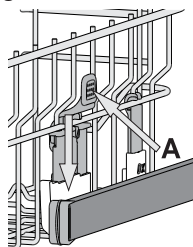
(loading example for the upper rack)



Adjusting the height of the upper rack

The height of the upper rack can be adjusted: a high position to place bulky crockery in the lower basket and low position to make the most of the tip-up supports loaded by creating more space upwards and avoiding collision with the items loaded into the lower rack.

The upper rack is equipped with an **Upper Rack height adjuster** (see figure), without pressing the levers, lift it up by simply holding the rack sides, as soon as the rack is stable in its upper position. To restore to the lower position, press the levers **A** at the sides of the rack and move the basket downwards.



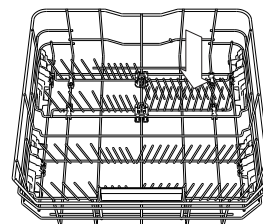
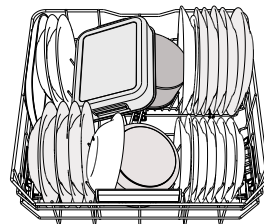
We strongly recommend that you do not adjust the height of the rack when it is loaded.

NEVER raise or lower the basket on one side only.

LOWER RACK

For pots, lids, plates, salad bowls, cutlery etc. Large plates and lids should ideally be placed at the sides to avoid interferences with the spray arm.

The lower rack has tip-up supports which can be used in a vertical position when arranging plates or in a horizontal position (lower) to load pans and salad bowls easily.



(loading example for the lower rack)

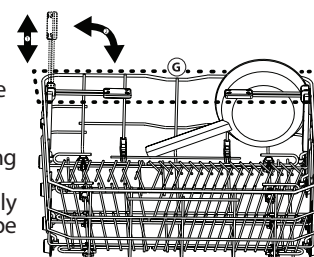
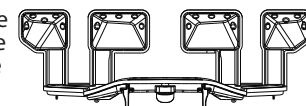
POWER CLEAN®

Power Clean® uses the special water jets in the rear of the cavity to wash more intensively the highly dirty items. The lower rack has a Space Zone, a special pull-out support in the rear of the rack that can be used to support frying pans or baking pans in an upright position, thus taking up less space.

Placing the pots/casseroles faced to the Power Clean® component please activate the **POWER CLEAN®** on the panel.

How to use the Power Clean®:

1. Adjust the Power Clean® area **G** folding down the rear plate holders to load pots.
2. Load pots and casseroles inclined vertically in the Power Clean® area. Pots have to be inclined towards the powerful water jets.



CARE AND MAINTENANCE

CLEANING THE FILTER ASSEMBLY

Regularly clean the filter assembly so that the filters do not clog and that the waste water flows away correctly.

Using the dishwasher with clogged filters or foreign objects inside the filtration system or spray arms may cause unit malfunction resulting in loss of performance, noisy work or higher resources usage.

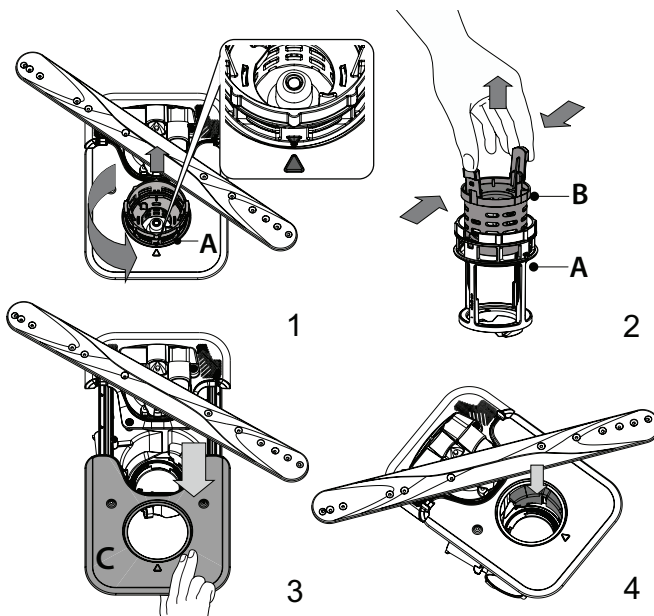
The filter assembly consists of three filters which remove food residues from the washing water and then recirculate the water.

The dishwasher must not be used without filters or if the filter is loose.

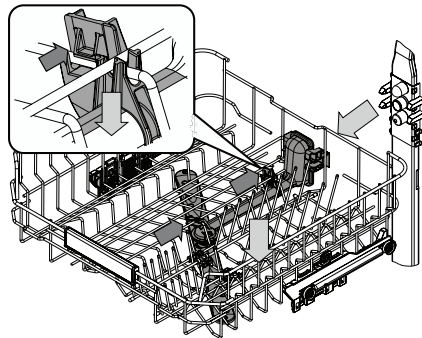
At least once per month or after every 30 cycles, check the filter assembly and if necessary clean it thoroughly under running water, using a non-metallic brush and following the instructions below:

1. Turn the cylindrical filter **A** in an anti-clockwise direction and pull it out (Fig 1). **It is important when reinstalling the filter that the two triangles shown on the zoom meet.**
2. Remove the cup filter **B** by exerting a slight pressure on the side flaps (Fig 2).
3. Slide out the stainless-steel plate filter **C** (Fig 3).
4. In case you find foreign objects (such as broken glass, porcelain, bones, fruit seeds etc.) **please remove them carefully.**
5. Inspect the trap and remove any food residues. **NEVER REMOVE** the wash-cycle pump protection (shown by an arrow) (Fig 4).

After cleaning the filters, replace the filter assembly and fix it in position correctly; this is essential for maintaining the efficient operation of the dishwasher.

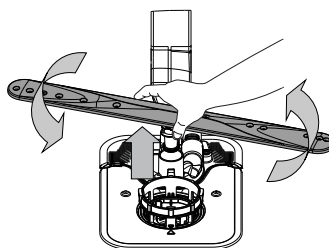


CLEANING THE SPRAY ARMS

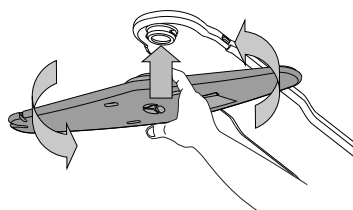


On occasions, food residue may become encrusted onto the spray arms and block the holes used to spray the water. It is therefore recommended that you check the arms from time to time and clean them with a small non-metallic brush.

To remove the upper spray arm you must remove it together with the manifold.



The lower spray arm may be removed by pulling it upwards and rotating it anti-clockwise. Mounting back the spray arm is by pulling it down and rotating it clockwise.



The top spray arm may be removed by pressing it up and then rotating it anti-clockwise. Mounting back the spray arm is by pulling it upwards and rotating it clockwise.

TROUBLESHOOTING

In case your dishwasher doesn't work properly, check if the problem can be solved by going through the following list. For other errors or issues please contact authorized After-sales Service whose contact details can be found in the warranty booklet. Spare parts will be available for a period of either up to 7 or up to 10 years, according to the specific Regulation requirements.

PROBLEMS	POSSIBLE CAUSES	SOLUTIONS
The salt indicator is lit	Salt reservoir is almost empty.	Refill the reservoir with salt (for more information - see <i>FILLING THE SALT RESERVOIR</i>). Check the water hardness setting if necessary (see <i>WATER HARDNESS TABLE</i>).
The salt indicator is blinking	Salt reservoir is empty.	Refill the reservoir with salt as soon as possible. Using the appliance without salt may cause damage to its internal components.
The rinse aid indicator is lit or blinking	Rinse aid dispenser is empty. (After refill the rinse aid indicator may remain lit for a short time).	Refill the dispenser with rinse aid (for more information - see <i>FILLING THE RINSE AID DISPENSER</i>).
Descale indicator is lit or blinking; "dES" alarm is displayed.	Limescale is accumulating on internal components of the appliance.	Descale the appliance immediately using the Self Clean program and a commercially available descaling product (see <i>OPTIONS AND FUNCTIONS</i>). Refill the reservoir with salt. Check the water hardness setting. If the appliance is not descaled, it will stop functioning.
The dishwasher won't start or does not respond to commands.	The appliance has not been plugged in properly.	Insert the plug into the socket.
	Power outage.	For safety reasons, the dishwasher will not restart automatically when power returns. Open dishwasher door, press START/Pause button and close the door within 4 seconds.
	The dishwasher door is not closed. NaturalDry pin is not pulled in.	Vigorously push the door until you hear the "click".
	A cycle is interrupted by door opening for more than 4 seconds.	Press START/Pause and close the door within 4 seconds.
The dishwasher won't drain. Display shows: F7 E3 or F9 E1	The filter is clogged with food residues or limescale	Clean the filter and descale the appliance (see <i>CLEANING THE FILTER ASSEMBLY and DESCALE INSTRUCTION</i>).
	The drain hose is kinked.	Check the drain hose (see <i>INSTALLATION INSTRUCTION</i>).
	The sink drain pipe is blocked.	Clean the sink drain pipe.
The dishwasher makes excessive noise.	Dishes are rattling against each other.	Position the crockery correctly (see <i>LOADING THE RACKS</i>).
	An excessive amount of foam is present.	The detergent has not been measured out correctly or it is not suitable for use in dishwashers (see <i>FILLING THE DETERGENT DISPENSER</i>). Restart the current cycle by switching OFF the dishwasher, then switch it on again, select a new program, press START/Pause and close the door within 4 seconds. Please do not add any detergent.
	Crockery has not been arranged properly.	Arrange the crockery correctly (see <i>LOADING THE RACKS</i>).
	The filter is clogged with food residues or limescale.	Clean the filter assembly (see <i>CARE AND MAINTENANCE</i>).
The dishes are not clean.	Crockery has not been arranged properly.	Arrange the crockery correctly (see <i>LOADING THE RACKS</i>).
	Spray arms cannot rotate freely, being hindered by the dishes.	Arrange the crockery correctly (see <i>LOADING THE RACKS</i>). Check that the upper rack is in the correct position and adjust (lift up) if necessary.
	The wash cycle is too gentle.	Select an appropriate wash cycle (see <i>PROGRAMS TABLE</i>).
	An excessive amount of foam is present.	The detergent has not been measured out correctly or it is not suitable for use in dishwashers (see <i>FILLING THE DETERGENT DISPENSER</i>).
	The cap on the rinse aid compartment has not been closed correctly.	Make sure the cap of the rinse aid dispenser is closed.
	The filter is clogged with food residues or limescale.	Clean the filter and descale the appliance (see <i>CLEANING THE FILTER ASSEMBLY</i>).
The salt reservoir is empty.	Fill the salt reservoir (see <i>FILLING THE SALT RESERVOIR</i>).	

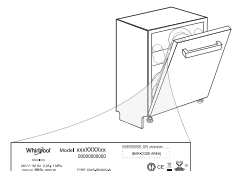
PROBLEMS	POSSIBLE CAUSES	SOLUTIONS
The dishwasher does not fill the water. The display shows: H2O and \emptyset is lit; acoustic alarm sounds.	No water in the water supply or the tap is closed.	Make sure there is water in the water supply and the water tap is open.
	The water inlet hose is kinked.	Check the inlet hose (see <i>INSTALLATION</i>). Open dishwasher door, press START/Pause button and close the door within 4 seconds.
The dishwasher finishes the cycle prematurely. The display shows: F8 E3	The screen in the water inlet hose is clogged; it is necessary to clean it.	Check and clean the screen in the water inlet hose. Open dishwasher door, press START/Pause button and close the door within 4 seconds.
	The filter is clogged with food residues or lime-scale.	Clean the filter and descale the appliance (see <i>CLEANING THE FILTER ASSEMBLY and DESCALE INSTRUCTION</i>).
	Drain hose positioned too low or siphoning into the home sewage system.	Check if the end of the drain hose is placed at the correct height (see <i>INSTALLATION</i>). Check for siphoning into the home sewage system, and install a siphon breaker/air admittance valve if necessary.
	An excessive amount of foam is present.	The detergent has not been measured out correctly or it is not suitable for use in dishwashers (see <i>FILLING THE DETERGENT DISPENSER</i>).
The dishes are not dried well.	Air in the water supply.	Check water supply for leaks or other issues letting air inside.
	Rinse aid is not present or the dosage is too low.	Make sure the rinse aid dispenser is filled (see <i>FILLING THE RINSE AID DISPENSER</i>). Multifunctional tablets only will not provide as good drying effects as the actual use of liquid rinse aid.
	The dishes have been unloaded after the door was opened automatically but before the actual cycle end.	Make sure the cycle has ended before starting to unload the dishes (see <i>DAILY USE</i>). For even better drying results, it is recommended to let the dishes sit inside the dishwasher with the door open for additional 15 minutes after the cycle ends.
	The dishes are sitting too flat.	If you notice puddles of water inside cavities of cups, mugs or bowls, try loading the dishes (especially in the upper rack) providing more inclination to let larger amounts of water drip down before drying starts.
	The selected cycle does not have the drying phase.	Please check in the <i>PROGRAMS TABLE</i> if the selected program is equipped in the drying phase. A cycle without the drying phase may not deliver desired drying efficiency, so it is recommended to change cycle selection for the one that has the drying phase.
Dishes and glasses have blue streaks or bluish tinges.	The dishes are made of non-stick or plastic.	Some water drops remaining on this type of material are normal.
Dishes and glasses are covered with lime-scale or a whitish film.	Rinse aid dosage is excessive.	Adjust the dosage to a lower setting.
	The salt reservoir is empty.	Refill the reservoir with salt as soon as possible. Using the appliance without salt may cause damage to its internal components.
	The water hardness setting is too low.	Increase the setting (see <i>WATER HARDNESS TABLE</i>).
	The cap of the salt reservoir is not properly closed.	Check and close the salt reservoir cap.
The dishwasher shows F8 E5	The rinse aid reservoir is empty or the rinse aid dosage is insufficient.	Refill the dispenser with rinse aid and check the dosage setting (for more information - see <i>FILLING THE RINSE AID DISPENSER</i>).
	Valve is blocked or faulty.	Close the water tap, if possible. Do not switch off the power supply. Call the service.



Policies, standard documentation, ordering of spare parts and additional product information can be found by:

- Using QR code and visiting our website: docs.whirlpool.eu
- Visiting our website: parts-selfservice.whirlpool.com
- Alternatively, **contact our After-sales Service** (See phone number in the warranty booklet). When contacting our After-sales Service, please state the codes provided on your product's identification plate.

The model information can be retrieved using the QR-Code reported in the energy label. The label also includes the model identifier that can be used to consult the portal of the registry at <https://eprel.ec.europa.eu>





DĚKUJEME VÁM, ŽE JSTE SI ZAKOUPILI VÝROBEK ZNAČKY WHIRLPOOL
Pro získání komplexnější asistence zaregistrujte prosím svůj spotřebič na: www.whirlpool.eu/register

Před použitím spotřebiče si pečlivě přečtěte tento návod k použití a instalaci. Více informací o produktu naleznete na webových stránkách: docs.whirlpool.eu.

⚠ Po instalaci nezapomeňte z myčky odstranit všechny přepravní ochranné díly.

OVLÁDACÍ PANEL

1. Tlačítko **ZAPNOUT/VYPNOUT/Resetování** s kontrolkou
2. Tlačítko **PŘEDCHOZÍ program**
3. Tlačítko **DALŠÍ program**
4. Tlačítko **volby Oblíbeného programu** s kontrolkou
5. Kontrolka prázdného zásobníku **Soli**
6. Kontrolka prázdného zásobníku **Leštidla**
7. Kontrolka **ODVÁPNEŇÍ**
8. Kontrolka **Uzavřený Přívod Vody**
9. **Displej**
10. Ukazatel čísla programu a zbývajících času



11. Tlačítko **volby funkce Power Clean®** s kontrolkou
12. Tlačítko **volby Poloviční Náplň** s kontrolkou / **Nastavení** – stisknout 3 sekundy
13. Tlačítko **volby Sušení Extra s kontrolkou**
14. Tlačítko **volby Odložený Start** s kontrolkou
15. Tlačítko **SPUSTIT/Pozastavit** s kontrolkou

PRVNÍ POUŽITÍ

NABÍDKA NASTAVENÍ

1. Zapněte spotřebič stiskem tlačítka **ZAPNOUT/VYPNOUT** (⏻).
2. Podržte tlačítko **Nastavení** (⚙) (Poloviční Náplň (⏻)) po dobu 3 sekund, dokud neuslyšíte pípnutí a na displeji se zobrazí „Set“.
3. Po jedné sekundě se zobrazí první dostupné nastavení (písmeno „h“).
4. Stisknutím **PŘEDCHOZÍ/DALŠÍ** procházejte seznam dostupných nastavení (viz tabulku níže), poté stiskněte **SPUSTIT/Pozastavit** (⏻) pro zobrazení a změnu hodnoty aktuálně zvoleného nastavení.
5. Stiskněte **PŘEDCHOZÍ/DALŠÍ** pro změnu hodnoty, poté stiskněte **SPUSTIT/Pozastavit** (⏻) pro uložení nové hodnoty a návrat do hlavní nabídky.
6. Chcete-li změnit další nastavení, opakujte body 4 a 5.
7. Stiskněte **ZAPNOUT/VYPNOUT** (⏻) nebo počkejte 30 sekund pro opuštění nabídky.

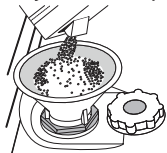
PÍSMENO	NASTAVENÍ	HODNOTY (Výchozí – tučně)
h	Úroveň tvrdosti vody (viz „NASTAVENÍ TVRĐOSTI VODY“ a „TABULKA TVRĐOSTI VODY“)	1 2 3 4 5
f	Množství leštidla (viz „NASTAVENÍ DÁVKOVÁNÍ LEŠTIDLA“)	0 1 2 3 4 5
□	NaturalDry (viz „MOŽNOSTI A FUNKCE“) „1“ = zapnuto, „0“ = vypnuto	1 0
l	Osvětlení směřující k podlaze (viz „MOŽNOSTI A FUNKCE“) „1“ = zapnuto, „0“ = vypnuto	1 0
z	Zvuk „1“ = zapnuto, „0“ = vypnuto	1 0
—	Tovární nastavení Stisknutím SPUSTIT/Pozastavit obnovíte výchozí tovární nastavení všech hodnot nastavení obsažených v nabídce nastavení.	-

NAPLNĚNÍ ZÁSOBNÍKU SOLI

Použití soli vede k předcházení usazování VODNÍHO KAMENE na nádobí a funkčních součástech myčky.

Zásobník soli se nachází ve spodní části myčky (pod spodním košem na levé straně).

- **ZÁSOBNÍK NA SŮL nesmí NIKDY ZŮSTAT PRÁZDNÝ.**
- Nastavení tvrdosti vody je důležité.
- Pokud se rozsvítí **kontrolka DOPLNĚNÍ SOLI** (S) na ovládacím panelu, je nutné doplnit sůl.



1. Vytáhněte spodní koš a odšroubujte víčko zásobníku (proti směru hodinových ručiček).
2. Umístěte trychtýř (viz obrázek) a naplňte zásobník solí až po okraj (přibližně 0,5 kg); odtékání určitého množství vody je přitom normální.
3. **Následující kroky provádějte pouze při prvním použití: Naplňte zásobník solí vodou.**

4. Vyjměte trychtýř a otřete z otvoru přebytečnou sůl. Ujistěte se, že je víčko pevně dotaženo, aby se do zásobníku nedostal při mytí žádný mycí prostředek (to by mohlo vést k neopravitelnému poškození změkčovače vody).

Pokaždé, jakmile dokončíte doplňování zásobníku soli, spusťte program, abyste zabránili korozi.

Nastavení tvrdosti vody

Aby mohl změkčovač vody řádně fungovat, je nezbytné nastavit tvrdost vody podle skutečných hodnot platných pro vodu ve vašem domě. Informaci o tvrdosti vody v řadu získáte od místního dodavatele vody.

Tovární nastavení pro průměrnou tvrdost je „3“. Viz **TABULKA TVRĐOSTI VODY**.

Pro provádění změn viz pokyny v části „NABÍDKA NASTAVENÍ“.

Tabulka tvrdosti vody

Stupeň	°dH Německé stupně	°fH Francouzské stupně	°Clark Anglické stupně
1 (měkká)	0 - 6	0 - 10	0 - 7
2 (střední)	7 - 11	11 - 20	8 - 14
3 (středně tvrdá)	12 - 16	21 - 29	15 - 20
4 (tvrdá)	17 - 34	30 - 60	21 - 42
5 (velmi tvrdá)	35 - 50	61 - 90	43 - 62

Používejte výhradně sůl určenou pro myčky nádobí.

Poté, co do myčky nasypete sůl, zhasne kontrolka DOPLNĚNÍ SOLI.

Pokud není zásobník na sůl doplněn, může to vést k poškození změkčovače vody a topného tělesa v důsledku nahromadění vodního kamene. Sůl doporučujeme používat s každým typem prostředku na mytí nádobí.

SYSTÉM PRO ZMĚKČOVÁNÍ VODY

Změkčovač vody automaticky snižuje tvrdost vody, a zabráňuje tak nahromadění vodního kamene na ohříváči a přispívá k vyšší účinnosti mytí.

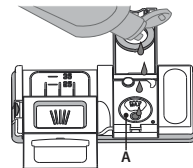
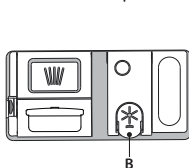
Tento systém k regeneraci využívá sůl, proto je nutné doplňovat zásobník na sůl, když se vyprázdní.

Četnost regenerace závisí na nastavení úrovně tvrdosti vody – s úrovní tvrdosti nastavené na 3 probíhá regenerace jednou za 4-6 Eco cyklů. Proces regenerace probíhá na začátku cyklu pomocí většího množství čisté vody.

- Spotřeba během jedné regenerace: ~ 3 l vody;
- Prodloužení cyklu až o 5 minut;
- Spotřeba méně než 0,005 kWh energie.

DOPLNĚNÍ DÁVKOVAČE LEŠTIDLA

Díky leštidlu nádobí lépe schne. Zásobník leštidla **A** by měl být doplněn pokaždé, když se na ovládacím panelu rozsvítí **kontrolka NEDOSTATEK LEŠTIDLA** (☀).



1. Stlačením a zatažením páčky na víku zásobník **B** otevřete.
2. Opatrně nalijte leštidlo až po maximální hodnotu (110ml) vyznačenou ryskou v hrdle zásobníku – zabraňte jeho přelítí. Pokud dojde k rozlítí, setřete tekutinu okamžitě suchým hadrem.

3. Stiskněte víčko, dokud se s cvaknutím nezavře.

NIKDY nelijte leštidlo přímo do myčky.

Nastavení dávkování leštidla

Nejste-li plně spokojeni s výsledky sušení, můžete nastavit množství použitého leštidla.

Pro provádění změn viz pokyny v části „NABÍDKA NASTAVENÍ“.

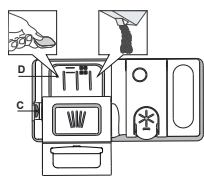
Je-li úroveň dávkování leštidla nastavena na „NULA“, nebude dávkováno žádné leštidlo. Dojde-li leštidlo, **kontrolka „NEDOSTATEK LEŠTIDLA“** se nerozsvítí.

V závislosti na konkrétním modelu myčky lze nastavit maximálně 6 úrovně.

- Pokud jsou na nádobí patrné modravé odlesky, nastavte nízké hodnoty (0-3).
- Jsou-li na nádobí stopy vodního kamene, nastavte vyšší číslo (4-5).

DOPLNĚNÍ DÁVKOVAČE MYCÍHO PROSTŘEDKU

K otevření zásobníku mycího prostředku použijte otevírací prvek C. Dávkujte mycí prostředek výhradně do suchého zásobníku D. Prostředek pro předmytí dávkujte přímo do prostoru myčky.



1. Při dávkování mycího prostředku se řiďte předchozími pokyny, abyste odměřili správné množství. Uvnitř zásobníku D se nacházejí značky, které pomohou při dávkování mycího prostředku.
2. Odstraňte zbytky mycího prostředku z okraje zásobníku a pak jej zavřete tak, aby bylo slyšet cvaknutí.
3. Tahem zavřete víčko zásobníku mycího prostředku, dokud zavírací prvek nezapadne na své místo.

DENNÍ POUŽÍVÁNÍ

1. ZKONTROLUJTE PŘIPOJENÍ K VODOVODNÍ SÍTI

Zkontrolujte, zda je myčka připojená k vodovodní síti a zda je vodovodní kohoutek otevřený.

2. ZAPNĚTE MYČKU

Otevřete dvířka a stiskněte tlačítko ZAPNOUT/VYPNOUT.

3. VLOŽTE NÁDOBÍ (viz PLNĚNÍ KOŠŮ).

4. PLNĚNÍ DÁVKOVAČE MYCÍHO PROSTŘEDKU

5. VYBERTE PROGRAM A PŘÍZPUSOBTE CYKLUS

Nejvhodnější program vyberete v závislosti na druhu nádobí a míře jeho zašpinění (viz POPIS PROGRAMŮ) stisknutím tlačítka vybraného PŘEDCHOZÍ/DALŠÍ. Vyberte požadované možnosti (viz MOŽNOSTI A FUNKCE). Ne všechny možnosti jsou kompatibilní se všemi programy.

6. SPUSTIT

Mycí cyklus spustíte stiskem tlačítka SPUSTIT/Pozastavit (LED kontrolka svítí) a následným uzavřením dvířek do 4 sekund. Jakmile program začne, uslyšíte jedno pípnutí. Pokud dvířka nejsou do 4 sekund uzavřena, rozezní se výstražné upozornění. V takovém případě dvířka otevřete, stiskněte tlačítko SPUSTIT/Pozastavit a znovu je uzavřete při dodržení čtyřsekundového časového limitu.

7. KONEC MYCÍHO CYKLU

Konec mycího cyklu oznámí zvukové znamení a na displeji se zobrazí END (KONEC). Otevřete dvířka a vypněte spotřebič stiskem tlačítka ZAPNOUT/VYPNOUT.

Před vyklizením nádobí chvíli počkejte, předejdete tak popálení. Vyklíďte nádobí z košů – začněte spodním.

Zásobník se automaticky otevře v pravou chvíli v závislosti na použitém programu.

Použití čisticího prostředku, který není určený pro myčky nádobí, může způsobit nesprávný chod nebo poškození spotřebiče.

ÚPRAVA NASTAVENÍ BĚŽÍCÍHO PROGRAMU

Došlo-li k výběru nesprávného programu, je možné jej změnit za předpokladu, že od jeho spuštění uplynula pouze krátká chvíle. **RESET** spotřebiče: Stiskněte tlačítko ZAPNOUT/VYPNOUT a podržte ho po dobu delší než 3 sekundy, načež se spotřebič vypne. **Na ovládacím panelu bude svítit „0:01“**. Zavřete dvířka a vyčkejte, dokud neskončí cyklus vypouštění (přibližně 1 minuta). Otevřete dvířka a stisknutím tlačítka ZAPNOUT/VYPNOUT spotřebič opět zapnete a zvolte nový mycí program spolu s požadovanými možnostmi. Mycí cyklus spustíte stiskem tlačítka SPUSTIT/Pozastavit a uzavřením dvířek do 4 sekund.

PŘIDÁNÍ DALŠÍHO NÁDOBÍ

Bez toho, abyste spotřebič vypínali, otevřete nejprve mírně dvířka, aby voda nevystříkla ven (LED kontrolka SPUSTIT/Pozastavit začne blikat) (**Pozor! Horká pára!**) a vložte nádobí do myčky. Stiskněte tlačítko SPUSTIT/Pozastavit a do 4 sekund uzavřete dvířka. Cyklus se opětovně spustí od místa, ve kterém byl přerušen.

NÁHODNÁ PŘERUŠENÍ

Dojde-li v průběhu mycího cyklu k otevření dvířek nebo výpadku elektrického napájení, cyklus se zastaví. **POUZE POKUD STISKNETE** tlačítko SPUSTIT/Pozastavit a do 4 sekund zavřete dvířka, cyklus se opětovně spustí od místa, ve kterém byl přerušen.

DOPORUČENÍ A TYPY

RADY

Před plněním košů odstraňte z nádobí všechny zbytky jídel a vyprázdněte sklenice. **Nádobí není třeba oplachovat pod tekoucí vodou.**

Uspořádejte nádobí vmyčce tak, aby pevně leželo na místě a nepřepadávalo; nádoby vkládejte dnem vzhůru a vyduťnými vypuklými povrchy šikmo, aby voda měla přístup ke všem povrchům a zároveň mohla volně odtékat.

Varování: Víka, madla, podnosy a pánve nesmí bránit ostříkovacím ramenům myčky v pohybu.

Drobné předměty vkládejte do koše na příbory. Velmi znečištěné nádobí a hrnce umísťte do spodního koše, protože v této části myčky je proud vody silnější, a lze tak dosáhnout lepší výkonnosti.

Po naplnění myčky ověřte, že se ostříkovací ramena mohou volně otáčet.

NEVHODNÉ NÁDOBÍ

- Dřevěné nádobí a příbory.
- Jemné zdobené sklenice, umělecké, ručně vyrobené a starožitné nádobí. Jejich zdobení není dostatečně odolné.
- Části z plastu neodolávající vysokým teplotám.
- Měděné a cínové nádobí.
- Nádobí zašpiněné popelem, voskem, mazacím tukem či inkoustem.

Barva ozdob na skle a hliníkových/stříbrných kusů nádobí může během mytí vyblednout. Některé druhy skla (např. křišťálové předměty) mohou po několika mycích cyklech zmatnět.

POŠKOZENÍ SKLA A NÁDOBÍ

- Používejte výhradně sklenice a porcelán, u nichž výrobce zaručuje možnost mytí v myčce.
- Používejte jemný mycí přípravek vhodný na porcelánové nádobí
- Vyjměte sklo a příbory z myčky hned po skončení mycího cyklu.

TIPY K ÚSPORĚ ENERGIE

- Pokud se myčka nádobí do domácnosti používá v souladu s pokyny výrobce, je spotřeba ENERGIE a vody při mytí nádobí v myčce NIŽŠÍ než při mytí v ruce.
- Pro maximální úspornost myčky nádobí doporučujeme mycí cyklus spustit až ve chvíli, kdy je myčka zcela zaplněná. Naplnění myčky nádobí až do plné kapacity uvedené výrobcem přispívá k úspoře energie a vody. Informace o správném vkládání nádobí najdete v kapitole PLNĚNÍ KOŠŮ. V případě pouze částečného zaplnění doporučujeme použití příslušného mycího programu, je-li k dispozici (Half load / Zone Wash / Multi Zone) a plnění pouze příslušných košů. Nesprávné nebo nadměrné naplnění myčky může vést ke zvýšení spotřeby (vody, energie a času i zvýšení hlučnosti) a k snížení účinnosti mytí a sušení.
- Ruční předmývání nádobí vede ke zvýšené spotřebě vody a energie a nedoporučujeme jej.

HYGIENA

Abyste předešli vzniku usazenin a zápachu v myčce, **spusťte nejméně jednou měsíčně program s vysokou teplotou**. Použijte čajovou lžičku mycího prostředku a vsypte ji do prázdné myčky.

ODOLNOST MRÁZU

Pokud je spotřebič umístěn v prostředí, kde je vystaven nebezpečí mrazu, **musí z něj být zcela vypuštěny všechny kapaliny**. Zavřete vodovodní kohoutek, sejměte přívodní a odtokové hadice a nechte veškerou vodu odtéct. Aby byl spotřebič chráněn před teplotami až do $-20\text{ }^{\circ}\text{C}$, **ujistěte se, že změkčovač vody v zásobníku soli je plný rozpuštěné regenerační soli**. Pokud byl spotřebič skladován v mrazu, musí po dobu nejméně 24 hodin před prvním spuštěním zůstat při okolní teplotě min. $5\text{ }^{\circ}\text{C}$.

TABULKA PROGRAMŮ

Program	Popis programů	Fáze sušení	NaturalDry	Dostupné funkce *)	Délka mycího programu (h:min)**)	Spotřeba vody (litry/cyklus)	Spotřeba energie (kWh/cyklus)
P1 Eco	Úsporný program 50° - je vhodný k mytí běžně zašpiněného nádobí, který je pro tento účel nejvýhodnějším programem s ohledem na spotřebu energie a vody a který se využívá k vyhodnocení shody spotřebiče s předpisy Ecodesign EU.	✓	✓	POWER CLEAN 1/2 3 4 h	3:30	9,5	0,76
P2	Auto Intenzivní 65° - Automatický program pro silně zašpiněné nádobí. Myčka zjistí úroveň zašpinění nádobí a odpovídajícím způsobem nastaví program. Když senzor sníma úroveň znečištění nádobí, na displeji se zobrazí odpovídající symbol a aktualizuje se délka cyklu.	✓	✓	POWER CLEAN 1/2 3 4 h	2:25-3:10	15,5-24,5	1,30-1,70
P3	Automatický Smíšený 55° - Automatický program pro běžně zašpiněné nádobí se zaschlými zbytky jídel.	✓	✓	POWER CLEAN 1/2 3 4 h	1:20-3:00	7,5-19,5	0,75-1,20
P4	Automatický Rychlý 50° - Automatický program pro běžně a lehce zašpiněné nádobí. Běžný každodenní program zajišťující optimální účinnost mytí a sušení za kratší dobu.	✓	✓	POWER CLEAN 1/2 3 4 h	1:00-1:50	7,5-15,5	0,70-1,10
P5	Rychlý 45° - program doporučujeme používat na menší množství lehce zašpiněného nádobí bez zaschlých zbytků jídel. Nezahrnuje fázi sušení.	-	✓	1/2 3 4 h	0:30-0:40	10-12	0,55-0,65
P6	Křišťál 45° - Program pro choulostivé nádobí, které je citlivější na vysoké teploty, jako jsou například sklenice a hrnky.	✓	✓	1/2 3 4 h	1:40-1:50	12,5-16,5	0,95-1,20
P7	Tichý 55° - Ideální pro noční provoz spotřebiče. Zajišťuje optimální účinnost mytí a sušení při minimální hladině hluku.	✓	✓	3 4 h	3:50-4:10	10,5-14,5	0,80-1,15
P8	Dezinfekce 65° - Program s doplňkovým antibakteriálním účinkem je určen pro běžně až silně zašpiněné nádobí. Lze použít za účelem údržby myčky.	✓	-	POWER CLEAN 1/2 3 4 h	1:55-2:10	12-19	1,40-1,80
P9	Předmytí - Používejte pro opláchnutí nádobí, které plánujete mýt později. V tomto programu se nepoužívá žádný mycí prostředek.	-	✓	1/2 4 h	0:12	4,5	0,10
P10	Autočištění 65° - Program slouží k údržbě myčky nádobí. Spouštějte pouze v případě, že je myčka PRAZDNÁ a s použití speciálního čisticího prostředku určeného k údržbě myčky.	-	-	4 h	1:15	11,0	1,10

Údaje pro „ÚSPORNÝ PROGRAM“ jsou měřeny v laboratorních podmínkách podle pokynů evropské normy EN 60436:2020.

Poznámka pro zkušební laboratoře: Pro informace o zkušebních podmínkách srovnávací zkoušky EN napište na adresu: dw_test_support@whirlpool.com

Žádný z programů nevyžaduje jakékoli předchozí ošetření nádobí.

*) Ne všechny možnosti lze používat zároveň.

***) Hodnoty uvedené pro ostatní programy kromě „ÚSPORNÝ PROGRAM“ jsou pouze přibližné. Skutečná doba se může lišit v závislosti na mnoha vlivech, jako je např. teplota, tlak vstupní vody, teplota okolí, množství mycího prostředku, množství a typ nádobí, vyvážení nádobí, zvolené doplňkové možnosti a kalibrace snímačů. Kalibrace snímačů může program prodloužit až o 20min.

MOŽNOSTI A FUNKCE

MOŽNOSTI lze vybírat / a volby rušit po zvolení programu, a to přímým stiskem odpovídajícího tlačítka (je-li možnost dostupná, rozsvítí se indikace) (viz OVLÁDACÍ PANEL). Nemí-li možnost kompatibilní se zvoleným programem (viz TABULKA PROGRAMŮ), příslušná kontrolka třikrát rychle zabliká a ozve se zvukové znamení. Možnost nebude zvolena. Použití volby může u daného programu vyvolat změnu doby jeho trvání nebo spotřeby vody či energie.

POWER CLEAN® - Díky přídavným vodním tryskám umožňuje tato funkce intenzivnější a účinnější mytí nádobí ve vymezené části spodního koše. Tato funkce se doporučuje pro mytí rendlíků a hrnců (více informací naleznete v části týkající se plnění Power Clean®).



OSVĚTLENÍ SMĚŘUJÍCÍ K PODLAZE - Kontrolka LED svítící na podlahu indikuje, že myčka nádobí je v provozu. Světlo zhasne na konci cyklu. Tato funkce se aktivuje v rámci výchozího nastavení, nicméně lze ji deaktivovat v „NABÍDKA NASTAVENÍ“.

POLOVIČNÍ NÁPLŇ - Pokud je k mytí pouze malé množství nádobí, lze využít funkci POLOVIČNÍ NÁPLŇ šetřící elektrickou energii, vodu nebo čas, v závislosti na zvoleném programu. Nezapomeňte snížit množství mycího prostředku.

SUŠENÍ EXTRA - Zvýšená teplota v závěrečné fázi oplachování a prodloužená fáze sušení vedou k zlepšení sušení. Volba možnosti „SUŠENÍ EXTRA“ má za následek prodloužení mycího cyklu.

ODLOŽENÝ START - Spuštění programu lze odložit o dobu mezi 30 min až 24 hodinami.

1. Zvolte program a případně další možnosti. Odložení spuštění programu nastavíte stiskem tlačítka ODLOŽENÝ START (opakovaně). Spuštění programu lze odložit o 30 minut až 24 hodin. Pokud je při nastavování dosaženo hodnoty „24 hodin“, stiskněte tlačítka ODLOŽENÝ START ještě jednou, abyse funkce ODLOŽENÝ START deaktivovala.

2. Stiskněte tlačítka „SPUSTIT/Pozastavit“ a do 4 sekund zavřete dvířka: časovač začne odpočítávat.

3. Po vypršení stanoveného času kontrolka zhasne a program se automaticky spustí.

Po spuštění programu již funkci ODLOŽENÝ START zvolit nelze.

SNÍMÁNÍ - Ve chvíli, kdy senzor sníma úroveň zašpinění, na displeji se zobrazí odpovídající symbol (přibližně 20 min) a aktualizuje se délka cyklu. Účelem snímání je zjistit míru zašpinění nádobí. Funkce je součástí všech cyklů (kromě Úsporný program) a odpovídajícím způsobem upravuje parametry programu.

OBLÍBENÝ PROGRAM - Oblíbený program lze uložit a bude snadno dostupný. Najděte program pomocí PŘEDCHOZÍ/DALŠÍ a poté stiskněte tlačítka OBLÍBENÝ PROGRAM na 3 sekundy.

NaturalDry - Konvenční způsob sušení, kdy se automaticky otevírají dvířka během sušení / po ukončení fáze sušení, aby každý den byla zajištěna mimořádná účinnost sušení. Dvířka se otevrou při teplotě, která je bezpečná pro váš kuchyňský nábytek.

Jako doplňkovou ochranu proti horké páře dodáváme k myčce speciálně navrženou ochrannou fólii.

Pro informace jak postupovat při instalaci ochranné fólie nahlédněte prosím do INSTALAČNÍ PŘÍRUČKY. Tato funkce se aktivuje v rámci výchozího nastavení, nicméně lze ji deaktivovat v „NABÍDKA NASTAVENÍ“.

ODVÁPŇENÍ - Alarm - Na vnitřních součástech spotřebiče bylo zjištěno nahromadění vodního kamene. Zkontrolujte, zda je **Nastavení tvrdosti vody** na správné hodnotě a zda je v zásobníku soli přítomna **sůl** (další podrobnosti viz PRVNÍ POUŽITÍ), poté **použijte odvápňovací prostředek** (doporučuje se značka WPro) s **programem Autočištění**. Po úspěšném odvápňení se ikona přestane zobrazovat.

Pokud nebudou provedeny výše uvedené akce, výkon produktu se zhorší. Varování «Odvápňení» začne blikat a na displeji se zobrazí alarm «DES». Pokud stále neprovedete žádnou akci, spotřebič umožní spuštění pouze určitého počtu cyklů (indikováno během zobrazení alarmu «DES») a poté bude **ZABLOKOVÁN**, aby se zabránilo poškození součástí, **přičemž je k dispozici pouze program Autočištění**. Provedením úplného odstranění vodního kamene dojde k odblokování produktu. V případě extrémně vysokého množství vodního kamene může být nutné odvápňení provést dvakrát, aby bylo účinné.

UZAVŘENÝ VODOVODNÍ KOHOUTEK - výstražná signalizace - Kontrolka bliká v případě, že je uzavřen přívod vody nebo voda nepřítéká.

PLNĚNÍ KOŠŮ

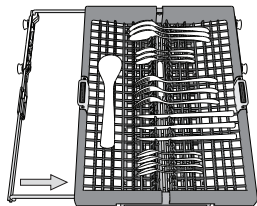
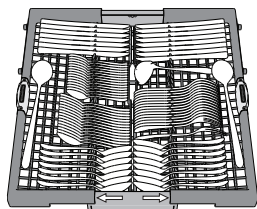
KAPACITA: 15 standardních jídelních souprav

ZÁSUVKA NA PŘÍBORY

Třetí koš je určen na příbory. Příbory ukládejte tak, jak je znázorněno na obrázku. Oddělené umístění příborů usnadňuje jejich pozdější úklid a zlepšuje sušení.

Nože a další ostré nástroje musí být umístěny ostrým dolů.

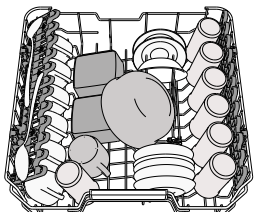
Koš na příbory je vybaven dvěma posuvnými postranními koši tak, aby bylo možno co nejlépe využít výšku prostoru a zároveň umožnit umístění vysokých předmětů do horního koše.



HORNÍ KOŠ

Sem vkládejte jemné a lehké nádobí: sklenice, hrnky, tácky a mělké salátové mísy. Horní koš je vybaven opěrkami, které lze ve svislé poloze použít k umístění podšálků a dezertních talířů, nebo v nižší poloze k umístění misek a nádob na potraviny.

(příklad naplnění horního koše)



Nastavení výšky horního koše

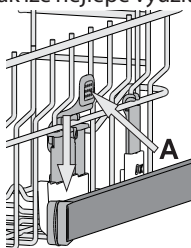
Výšku horního koše lze nastavit: Při umístění do vyšší polohy lze do spodního koše vkládat objemnější kusy, v nižší poloze pak lze nejlépe využít sklopných opěrek – v horní části se tak vytvoří větší prostor a předejde se kolizím s předměty uloženými ve spodním koši.

Horní koš je vybaven **zařízením pro nastavení výšky horního koše** (viz obr.), bez nutnosti používat páky. Stačí koš prostě zvednout za strany, dokud nezapadne do stabilní horní polohy.

Pro návrat koše zpět do dolní polohy stiskněte páky **A** po stranách koše a zatlačte koš dolů.

Důrazně doporučujeme neměnit polohu koše, je-li plný.

NIKDY nesnižujte ani nezvyšujte polohu koše pouze na jedné straně.

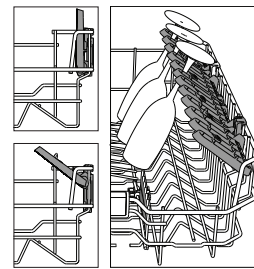


Sklopné opěrky s nastavitelnou polohou

Postranní sklopné opěrky lze sklopit nebo vyklopit za účelem lepšího uspořádání nádobí v koši. Do sklopných opěrek je možno bezpečně umístit sklenice na víno, a to tak, že stopku každé z nich opěreme do příslušného vybrání.

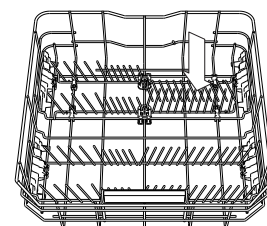
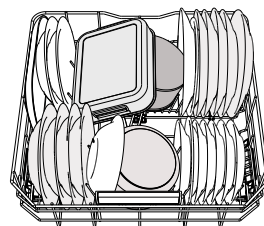
Podle modelu:

- vyklopení opěrek: je třeba je posunout nahoru a otočit jimi nebo je uvolnit z přichytek a zatáhnout směrem dolů;
- sklopení opěrek: je třeba jimi otočit a posunout je dolů, nebo je vytáhnout směrem nahoru a připnout do přichytek.



DOLNÍ KOŠ

Je určen na hrnce, tácky, talíře, salátové mísy, příbory atd. Velké talíře a poklice by měly být umístěny po stranách, aby nedošlo ke kontaktu s ostříkovacími rameny. Dolní koš je vybaven opěrkami, které lze ve svislé poloze použít k umístění talířů nebo v horizontální (dolní) poloze ke snadnému umístění hrnců a salátových misek.



(příklad plnění dolního koše)

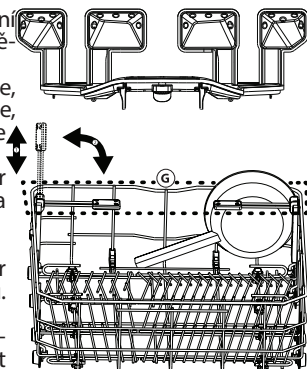
POWER CLEAN®

Při funkci Power Clean® se používají speciální proudy vody v zadní části myčky k intenzivnějšímu mytí velmi špinavého nádobí.

Dolní koš je vybaven zařízením Space Zone, speciální výsuvnou opěrkou v zadní části koše, kterou lze použít k opření pánví či pekáčů ve svislé poloze, kdy zabírají méně místa. Umístěte hrnce a kastrolы proti ústí Power Clean® a aktivujte funkci **POWER CLEAN®** na panelu.

Jak používat funkci Power Clean®:

1. Upravte prostor (G) pro účinné mytí Power Clean® sklopením zadních držáků talířů. Tím uvolníte prostor pro hrnce.
2. Hrnce a kastrolы položte svisle do prostoru Power Clean®. Hrnce je třeba naklonit směrem k vodním tryskám.



ÚDRŽBA A ČIŠTĚNÍ

ČIŠTĚNÍ SESTAVY FILTRU

Pravidelně čistěte sestavu filtru, aby nebyla ucpaná a voda mohla řádně odtékat. Používání myčky s ucpanými filtry nebo cizími předměty ve filtračním systému či rozstříkovačích může způsobit nesprávný chod spotřebiče, ztrátu účinnosti, hlučný chod nebo vyšší spotřebu.

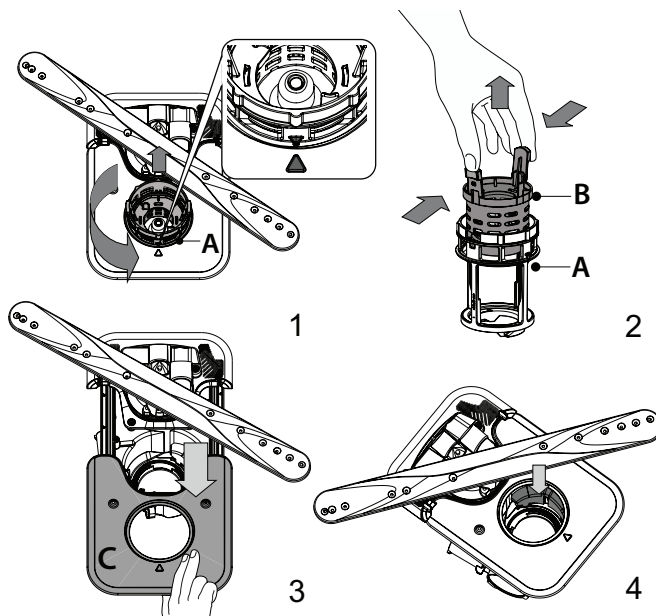
Sestava filtru se skládá ze tří filtrů, které pomáhají zmycí vody odstranit zbytky potravin a umožňují její následnou recirkulaci.

Myčka nesmí být používána bez filtrů nebo s nedotaženými filtry.

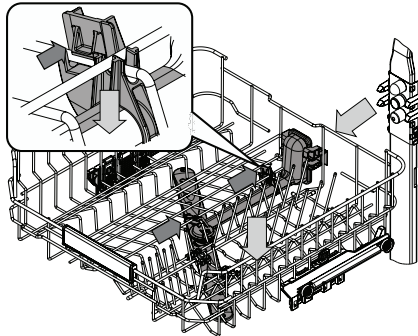
Nejméně jednou měsíčně nebo po každých 30 cyklech zkontrolujte sestavu filtru a v případě potřeby jej důkladně vymyjte pod tekoucí vodou za pomoci nekovového kartáče podle pokynů níže:

1. Otočte válcovým filtrem **A** proti směru chodu hodinových ručiček a vyjměte jej (obr. 1). **Při opětovné instalaci filtru je důležité, aby se oba trojúhelníky zobrazené na zoomu setkaly.**
2. Mírným tlakem na postranní klapky vyjměte miskový filtr **B** (obr. 2).
3. Vysuňte nerezový deskový filtr **C** (obr. 3).
4. Pokud naleznete cizí předměty (např. úlomky skla, porcelánu, kosti, semínka z ovoce), **opatrně je odstraňte.**
5. Prohlédněte prostor pod filtrem a odstraňte případné zbytky jídla. **NIKDY NEODSTRAŇUJTE** ochranu čerpadla mycího cyklu (zobrazeno šipkou) (obr. 4).

Po vyčištění filtry vraťte na jejich místo a zajistěte je; je to zásadní pro zachování funkčnosti myčky.

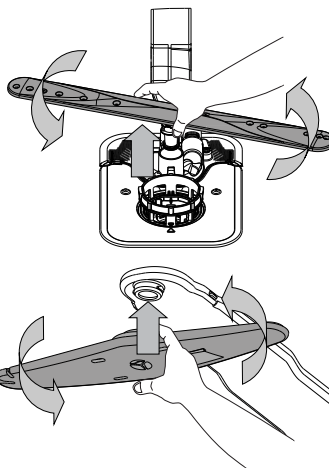


ČIŠTĚNÍ OSTRÍKOVACÍCH RAMEN



Někdy se stane, že se do ostríkovacích ramen dostane zbytek jídla a ucpe některou z jeho trysek. Doporučujeme proto občasnou kontrolu ramen a jejich vyčištění malým nekovovým kartáčkem.

Chcete-li odebrat horní ostríkování, musíte jej odebrat včetně rozdělovacího potrubí.




Spodní ostríkovací rameno lze vyjmout zatažením směrem nahoru a otočením proti směru hodinových ručiček. Zpětná montáž ostríkovacího ramene se provádí zatažením dolů a otočením ve směru hodinových ručiček.

Horní ostríkovací rameno lze vyjmout zatlačením směrem nahoru a otočením proti směru hodinových ručiček. Zpětná montáž ostríkovacího ramene se provádí zatažením nahoru a otočením ve směru hodinových ručiček.

ODSTRAŇOVÁNÍ ZÁVAD

Pokud vaše myčka nádobí nefunguje správně, pokuste se problém vyřešit za pomoci informací uvedených v tomto seznamu. V případě jiných problémů nebo dotazů se obraťte na autorizovaný poprodejní servis, jehož kontaktní údaje najdete v záručním listě. Náhradní díly budou k dispozici po dobu až 7 nebo až 10 let podle konkrétních požadavků nařízení.

PROBLÉMY	MOŽNÉ PŘÍČINY	ŘEŠENÍ
Svítí indikátor soli	Zásobník soli je téměř prázdný.	Doplňte do nádržky sůl (další informace – viz NAPLNĚNÍ ZÁSOBNÍKU SOLI). V případě potřeby zkontrolujte nastavení tvrdosti vody – viz TABULKA TVRDOSTI VODY .
Indikátor soli bliká	Zásobník soli je prázdný.	Co nejdříve doplňte do zásobníku sůl. Používání spotřebiče bez soli může způsobit poškození vnitřních komponent.
Indikátor leštidla svítí nebo bliká	Zásobník leštidla je prázdný. (Poté, co leštadlo doplňte, může kontrolka zůstat ještě krátkou dobu svítit.)	Doplňte do zásobníku leštadlo (více informací viz DOPLNĚNÍ DÁVKOVAČE LEŠTIDLA).
Indikátor odvápnění svítí nebo bliká; zobrazuje se alarm „dES“	Na vnitřních součástech spotřebiče se hromadí vodní kámen.	Spotřebič ihned odvápněte pomocí programu Autočištění a běžně dostupného odvápnovacího prostředku (viz MOŽNOSTI A FUNKCE). Doplněte do nádržky sůl. Zkontrolujte nastavení tvrdosti vody. Pokud odvápnění spotřebiče neprovedete, přestane fungovat.
Myčka se nespouští nebo nereaguje na povel.	Spotřebič není správně připojen do zásuvky.	Zasuňte zástrčku do zásuvky.
	Výpadek proudu.	Z bezpečnostních důvodů se myčka při obnovení napájení automaticky znovu nespustí. Otevřete dvířka myčky, stiskněte tlačítko SPUSTIT/Pozastavit a poté dvířka do 4 sekund znovu zavřete.
	Dveře myčky nejsou dobře zavřené. Kolíček funkce NaturalDry není zatažen.	Důkladně zavřete dveře, dokud neuslyšíte „cvaknutí“.
	Otevřením dvířek na více než 4 sekundy dojde k přerušení cyklu.	Stiskněte tlačítko SPUSTIT/Pozastavit a do 4 sekund uzavřete dvířka.
Myčka nevypouští vodu. Na displeji se zobrazuje: F7 E3 nebo F9 E1	Filtr je ucpaný zbytky jídla nebo vodním kamenem.	Filtr vyčistěte a proveďte odvápnění spotřebiče (viz ČIŠTĚNÍ SESTAVY FILTRU a ODVÁPŇENÍ).
	Vypouštěcí hadice je zkroucená.	Zkontrolujte vypouštěcí hadici (viz POKYNY K INSTALACI).
	Odpad dřezu je ucpaný.	Vyčistěte odtok dřezu.
Myčka je příliš hlučná.	Nádobí na sebe naráží.	Nádobí správně rozmístěte (viz PLNĚNÍ KOŠŮ).
	Je přítomno nadměrné množství pěny.	Mycí prostředek nebyl správně nadávkován, popřípadě není vhodný pro použití v myčkách nádobí (viz DOPLNĚNÍ DÁVKOVAČE LEŠTIDLA). Restartujte aktuální cyklus vypnutím a opětovným zapnutím myčky. Poté zvolte nový program, stiskněte tlačítko SPUSTIT/Pozastavit a během 4 sekund zavřete dvířka. Nepřidávejte prosím žádný mycí prostředek.
	Nádobí nebylo v myčce správně uspořádáno.	Nádobí správně rozmístěte (viz PLNĚNÍ KOŠŮ).
	Filtr je ucpaný zbytky jídla nebo vodním kamenem.	Vyčistěte sestavu filtrů (viz ÚDRŽBA A ČIŠTĚNÍ).
Nádobí není umyté.	Nádobí nebylo v myčce správně uspořádáno.	Nádobí správně rozmístěte (viz PLNĚNÍ KOŠŮ).
	Ostríkovací ramena se nemohou volně otáčet – brání jim nádobí.	Nádobí správně rozmístěte (viz PLNĚNÍ KOŠŮ). Zkontrolujte, zda je horní koš ve správné poloze, a v případě potřeby jej upravte (zvedněte).
	Mycí cyklus je příliš jemný.	Vyberte vhodný mycí cyklus (viz TABULKA PROGRAMŮ).
	Je přítomno nadměrné množství pěny.	Mycí prostředek nebyl správně nadávkován, nebo není vhodný pro použití v myčkách nádobí (viz PLNĚNÍ ZÁSOBNÍKU MYCÍHO PROSTŘEDKU).
	Víčko zásobníku leštidla není dobře uzavřeno.	Přesvědčte se, že je víčko na zásobníku leštidla dobře zavřené.
	Filtr je ucpaný zbytky jídla nebo vodním kamenem.	Vyčistěte filtr a spotřebič odvápněte (viz ČIŠTĚNÍ SESTAVY FILTRU).
Zásobník soli je prázdný.	Doplňte zásobník na sůl (viz NAPLNĚNÍ ZÁSOBNÍKU SOLI).	

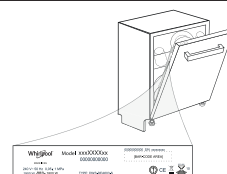
PROBLÉMY	MOŽNÉ PŘÍČINY	ŘEŠENÍ
Myčka nenapouští vodu. Na displeji se zobrazuje: H2O a  svítí; zní zvukový alarm.	V potrubí není voda nebo je uzavřený přívodní ventil.	Zkontrolujte, zda je v potrubí voda a zda je otevřený přívodní ventil.
	Přívodní hadice vody je zkroutená.	Zkontroluje přívodní hadici (viz <i>INSTALACE</i>). Otevřete dvířka myčky, stiskněte tlačítko SPUSTIT/Pozastavit a poté dvířka do 4 sekund znovu zavřete.
	Sítka v přívodní hadici je zanesené; je třeba je vyčistit.	Překontroluje a vyčistí sítka nacházející se v přívodní hadici vody. Otevřete dvířka myčky, stiskněte tlačítko SPUSTIT/Pozastavit a poté dvířka do 4 sekund znovu zavřete.
Myčka předčasně ukončuje cyklus. Na displeji se zobrazuje: F8 E3	Filtr je ucpaný zbytky jídla nebo vodním kamenem.	Filtr vyčistíte a provedete odvápnění spotřebiče (viz <i>ČIŠTĚNÍ SESTAVY FILTRU a ODVÁPŇENÍ</i>).
	Vypouštěcí hadice je umístěna příliš nízko, nebo dochází k vypouštění do domácího kanalizačního systému.	Zkontrolujte, zda je konec vypouštěcí hadice umístěn ve správné výšce (viz <i>INSTALACE</i>). Zkontrolujte, zda nedochází k vypouštění do domovní kanalizace, a v případě potřeby nainstalujte přerušovač sifonu / ventil pro přívod vzduchu.
	Je přítomno nadměrné množství pěny.	Mycí prostředek nebyl správně nadávkován, nebo není vhodný pro použití v myčkách nádobí (viz <i>DOPLNĚNÍ DÁVKOVAČE MYCÍHO PROSTŘEDKU</i>).
	Vzduch v přívodní hadici.	Zkontrolujte, zda systém přívodu vody nevykazuje netěsnosti, nebo zda se nevyskytují jiné závady, které způsobují pronikání vzduchu dovnitř.
Nádobí není dobře usušené.	Není přítomen lešticí prostředek, popřípadě je dávkováno příliš malé množství.	Ujistěte se, že zásobník na leštidlo je doplněn (viz <i>DOPLNĚNÍ DÁVKOVAČE LEŠTIDLA</i>). Při použití pouze multifunkčních tablet nedocílíte tak dobré účinnosti sušení jako při použití tekutého leštidla.
	Nádobí bylo vyloženo po automatickém otevření dvířek, ale před skutečným ukončením cyklu.	Před zahájením vykládání nádobí se ujistěte, že cyklus skončil (viz <i>DENNÍ POUŽÍVÁNÍ</i>). Pro ještě lepší výsledky sušení doporučujeme po skončení cyklu ponechat nádobí v myčce s otevřenými dvířky dalších 15 minut.
	Nádobí je uloženo příliš na plocho.	Pokud máte v prohlubních šálků, hrnků nebo misek nahromaděnou vodu, zkuste vložit nádobí do myčky (to platí zvláště pro horní koš) tak, aby bylo více nakloněné, aby větší množství vody mohlo odkapat ještě předtím, než začne sušení.
	Zvolený mycí cyklus nezahrnuje fázi sušení.	Podívejte se do <i>TABULKY PROGRAMŮ</i> , abyste zjistili, zda je součástí zvoleného programu i fáze sušení. Cyklus bez fáze sušení nemusí zajistit požadovanou účinnost sušení, proto doporučujeme změnit výběr mycího cyklu a zvolit takový, který fázi sušení má.
	Nádobí je z plastu s nepřílnavou úpravou.	Ulpění pár kapek vody na tomto typu materiálu je normální.
Na nádobí a sklenicích jsou modré pruhy, nebo mají namodralý nádech.	Dávkování leštidla je příliš vysoké.	Nastavte dávkování na nižší množství.
Nádobí i sklenice mají na sobě vrstvu vodního kamene nebo bílý film.	Zásobník soli je prázdný.	Co nejdříve doplňte do zásobníku sůl. Používání spotřebiče bez soli může způsobit poškození vnitřních komponent.
	Nastavení tvrdosti vody je příliš nízké.	Zvyšte hodnoty nastavení (viz <i>TABULKA TVRDOMOSTI VODY</i>).
	Uzávěr zásobníku na sůl není správně zavřený.	Překontrolujte a zavřete uzávěr nádržky na sůl.
	Zásobník na leštidlo je prázdný, popřípadě dávkování leštidla není dostatečné.	Doplňte do zásobníku leštidlo a překontrolujte nastavení dávkování (viz <i>DOPLNĚNÍ DÁVKOVAČE LEŠTIDLA</i>).
Myčka zobrazuje kód F8 E5	Ventil je zablokovaný nebo vadný.	Je-li to možné, zavřete vodovodní kohoutek. Nevypínejte napájení. Zavolejte do servisu.



Firemní zásady, standardní dokumentaci, objednávky náhradních dílů a další informace o výrobku získáte:

- Pomocí naskenování QR kódu a návštěvou našeho webu: docs.whirlpool.eu
- Návštěvou našeho webu: parts-selfservice.whirlpool.com
- Případně **kontaktujte náš poprodejní servis** (telefonní číslo najdete v záručním listě). Při kontaktování našeho poprodejního servisu prosím uveďte kódy na identifikačním štítku produktu

Informace o modelu získáte přes QR kód na energetickém štítku. Na štítku rovněž najdete identifikační číslo modelu, které můžete použít k vyhledávání v rejstříku na portálu <https://eprel.ec.europa.eu>.





TAK FORDI DU HAR KØBT ET WHIRLPOOL-PRODUKT.
For at modtage en mere komplet assistance, bedes du registrere dit apparat på www.whirlpool.eu/register

Læs omhyggeligt Oversigtsvejledningen og Sikkerheds- og installationsanvisningerne før brug af apparatet. Se flere oplysninger om dit produkt på websitet: docs.whirlpool.eu

Husk at fjerne alle transportbeskyttelsesdelene fra opvaskemaskinen efter installation.

BETJENINGSPANEL

1. TÆND-SLUK/Nulstil-knap med kontrollampe
2. Knap til **programmet FORRIGE**
3. Knap til **programmet NÆSTE**
4. Knap til **programmet FAVORIT** med kontrollampe
5. Indikatorlys til tom **saltbeholder**
6. Indikatorlys til tom beholder til **afspændingsmiddel**
7. Indikatorlys for **FJERNELSE AF KALK**
8. Kontrollampe for **Lukket vandhane**
9. **Display**
10. Indikator for **Programnummer** og **tilbageværende tid**
11. Knap til **valgmuligheden Power Clean®** med kontrollampe



12. Knap til **valgmuligheden Halvt Fyldt** med kontrollampe/ **Indstillinger** - tryk i 3 sekunder
13. Knap til **valgmuligheden Ekstra Tør** med kontrollampe
14. Knap til **valgmuligheden Udsæt Start** med kontrollampe
15. **START/Pause**-knap med kontrollampe

FØRSTEGANGSBRUG

INDSTILLINGSMENU

1. Tænd for maskinen ved at trykke på knappen TÆND/SLUK.
2. Hold **Indstillingsknappen** (Halvt Fyldt) inde i 3 sekunder, indtil du hører et bip og displayet viser „Set“.
3. Efter et sekund vil den første tilgængelige indstilling (bogstav „h“) blive vist.
4. Tryk på **FORRIGE**/**NÆSTE** for at rulle gennem listen over tilgængelige indstillinger (se tabellen nedenfor), og tryk derefter på **START/Pause** for at se og ændre værdien af den aktuelt valgte indstilling.
5. Tryk på **FORRIGE**/**NÆSTE** for at ændre værdien, og tryk derefter på **START/Pause** for at gemme den nye værdi og vende tilbage til hovedmenuen.
6. Gentag punkt 4 og 5 for at ændre en anden indstilling.
7. Tryk på **TÆND/SLUK** eller vent 30 sekunder for at forlade menuen.

BOG-STAV	INDSTILLING	VÆRDIER (Standard - med fed skrift)
h	Vandets hårdhedsgrad (se "INDSTILLING AF VANDETS HÅRDHEDSGRAD" og "TABEL OVER VANDETS HÅRDHEDSGRAD")	1 2 3 4 5
f	Dosering af afspændingsmiddel (se "INDSTILLING AF AFSPÆNDINGSMIDDELDOSERING")	0 1 2 3 4 5
d	NaturalDry (se "INDSTILLINGER OG FUNKTIONER") "1" = til, "0" = fra	1 0
l	Lys på gulvet (se "INDSTILLINGER OG FUNKTIONER") "1" = til, "0" = fra	1 0
l	Lyd "1" = til, "0" = fra	1 0
i	Fabriksindstillinger Tryk på START/Pause for at gendanne alle værdierne for indstillingerne i indstillingsmenuen til fabriksindstillingerne.	-

PÅFYLDNING AF SALT

Når der bruges salt, forhindres dannelse af KALK på servicet og maskinens komponenter.

Saltbeholderen sidder i den nederste del af opvaskemaskinen (under den nederste kurv i venstre side).

- Det er obligatorisk at **SALTBEHOLDEREN ALDRIG ER TOM**.
- Det er vigtigt, at vandets hårdhedsgrad indstilles.
- Der skal fyldes salt i, når **kontrollampen for PÅFYLDNING AF SALT** på betjeningspanelet er tændt.



1. Tag den nederste kurv ud, og skru låget af beholderen (mod uret).
2. Sæt tragten i (se billedet), og fyld saltbeholderen helt op til kanten (ca. 0,5 kg). Det er normalt, at der løber lidt vand ud.
3. **Følgende skal kun gøres første gang: Fyld saltbeholderen med vand.**
4. Fjern tragten, og aftør eventuel salt omkring åbningen.

Kontroller, at låget er skuet godt fast, så der ikke kan komme opvaskemiddel i beholderen under vaskeprogrammet (hvilket kan forårsage uoprettelig skade på blødgøringsanlægget).

Kør et program, hver gang du fylder saltbeholderen op, for at undgå korrosion.

Indstilling af vandets hårdhedsgrad

For at blødgøringsanlægget kan fungere perfekt, er det vigtigt, at indstillingen af vandets hårdhedsgrad er baseret på den faktiske hårdhedsgrad for vandet i din bolig. Du kan få hårdhedsgraden oplyst hos dit lokale vandværk. Fabriksindstillingen er "3". Se "TABEL OVER VANDETS HÅRDHEDSGRAD".

Ændringer foretages ved at følge anvisningerne i afsnittet „INDSTILLINGSMENU“.

Der må kun anvendes salt, der er beregnet til opvaskemaskiner.

Når der er fyldt salt på maskinen, slukkes indikatorlampen for påfyldning af salt.

Hvis saltbeholderen ikke påfyldes salt, kan det medføre skader på blødgøringsanlægget og varmelementet på grund af kalkaflejringer.

Brug af Salt anbefales til enhver type opvaskemiddel til opvaskemaskiner.

Tabel over vandhårdhedsgrader

Niveau	°dH Tysk hårdhed	°fH Fransk hårdhed	°Clark Engelsk hårdhed
1 (blødt)	0 - 6	0 - 10	0 - 7
2 (mellem)	7 - 11	11 - 20	8 - 14
3 (gennemsnitligt)	12 - 16	21 - 29	15 - 20
4 (hårdt)	17 - 34	30 - 60	21 - 42
5 (meget hårdt)	35 - 50	61 - 90	43 - 62

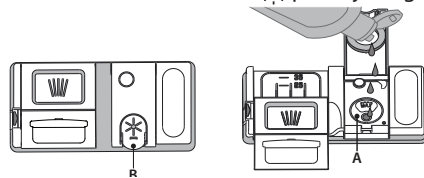
BLØDGØRINGSANLÆG

Blødgøringsmidler reducerer automatisk vandets hårdhed, og forebygger derved opbygning af aflejringer på varmelegemet og medvirker desuden til en forbedret vaskevirkning. **Dette system regenererer sig selv med salt og det er derfor nødvendigt at fylde saltbeholderen op, når den er tom.** Regenereringens hyppighed afhænger af indstillingen af vandets hårdhedsgrad - regenereringen afvikles en gang hver 4-6. Eco cyklus med vandets hårdhedsgrad indstillet på 3. Regenereringsprocessen forekommer i begyndelsen af cyklusen med supplerende frisk vand.

- Hver regenerering forbruger: ~3 L vand;
- Cyklusen tager op til yderligere 5 minutter;
- Under 0,005 kWh energi.

PÅFYLDNING AF AFSPÆNDINGSMIDDEL

Afspændingsmiddel fremmer TØRRINGEN af servicet. Afspændingsmidlets doseringsrum A skal fyldes op, når **kontrollampen for PÅFYLDNING AF AFSPÆNDINGSMIDDEL** på betjeningspanelet er tændt.



1. Åbn rummet **B** ved at trykke og trække dækslet opad.
2. Fyld forsigtigt afspændingsmidlet i til maksimumsreferencen (110 ml) i påfyldningsområdet - og undgå at spille. Hvis det sker, skal det spildte afspændingsmiddel straks tørres op med en klud.

3. Tryk låget nedad til der lyder et klik, for at lukke det.

Der må ALDRIG hældes afspændingsmiddel direkte ind i maskinen.

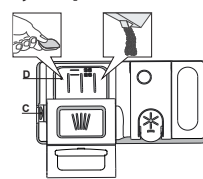
Indstilling af doseringen af afspændingsmiddel

Hvis du ikke er helt tilfreds med tørreresultatet, kan du indstille mængden af afspændingsmiddel. Ændringer foretages ved at følge anvisningerne i afsnittet „INDSTILLINGSMENU“. Hvis afspændingsmiddel mængden er indstillet på **NUL**, leveres der intet afspændingsmiddel. **Kontrollampen LAVT AFSPÆNDINGSMIDDELNIVEAU** vil ikke tænde, hvis afspændingsmidlet opbruges.

- Der kan maksimalt indstilles 6 niveauer i funktion af opvaskemaskinens model.
- Hvis der er blålige striber på servicet, skal du vælge et lavt tal (0-3).
- Hvis der er vanddråber eller kalkpletter på servicet, skal du vælge et højt tal (4-5).

PÅFYLDNING AF OPVASKEMIDDEL

Anvend åbningsanordningen C til at åbne doseringsrummet til opvaskemiddel. Fyld kun opvaskemidlet i det tomme doseringsrum D. Fyld opvaskemidlet til forvasken direkte i maskinen.



1. Se de tidligere nævnte informationer om den korrekte mængde opvaskemiddel. Inde i doseringsrummet **D** er der markeringer som hjælp til dosering af opvaskemiddel.
2. Fjern eventuelle rester af opvaskemiddel fra doseringsrummets kanter og luk dækslet, til det siger klik.
3. Luk låget på opvaskemidlets doseringsrum ved at trække det opad, indtil lukkeanordningen er anbragt korrekt.

Opvaskemiddelrummet åbnes automatisk på det rigtige tidspunkt i programmet.

Brug af opvaskemiddel, som ikke er fremstillet til opvaskemaskiner, kan medføre fejlfunktion eller beskadigelse af apparatet.

DAGLIG BRUG

1. KONTROLLER VANDTILSLUTNINGEN

Kontroller, at opvaskemaskinen er koblet til vandforsyningen, og at vandhane er åben.

2. TÆND FOR OPVASKEMASKINEN

Åbn lågen, og tryk på knappen **TÆND/SLUK**.

3. SÆT SERVICE I KURVENE (se FYLDNING AF KURVENE).

4. PÅFYLDNING AF OPVASKEMIDDEL

5. CVÆLG PROGRAM, OG TILPAS PROGRAMMET

"Vælg det bedst egnede program efter indholdet og dettes snavsethed (se PROGRAMBESKRIVELSE) ved at trykke på knapperne **FORRIGE/NÆSTE**. Vælg de ønskede indstillinger (se **INDSTILLINGER OG FUNKTIONER**). Ikke alle funktioner er kompatible med alle programmer."

6. START

Start vaskecyklussen ved at trykke på knappen **START/Pause** (tændt lysdiode) og lukke lågen indenfor 4 sekunder. Der lyder ét enkelt bip, når program starter. Hvis lågen ikke lukkes indenfor 4 sekunder, høres der en lydalarm. I dette tilfælde skal lågen åbnes, knappen **START/Pause** trykkes og lågen lukkes igen indenfor 4 sekunder.

7. AFSLUTTET OPVASKEPROGRAM

Vaskecyklussens afslutning angives med et lysignal og **END (SLUT)** vises på displayet. Åbn lågen, og sluk for maskinen ved at trykke på knappen **TÆND/SLUK**.

Vent nogle minutter, før servicet tages ud – det er meget varmt. Tøm kurvene. Begynd med den nederste.

MODIFIKATION AF ET KØRENDE PROGRAM

Hvis der er valgt et forkert program, kan det ændres, forudsat at det lige er startet. **NULSTIL** maskinen: tryk og hold knappen **TÆND/SLUK** trykket i over 3 sekunder. **Maskinen vil slukke. Instrumentpanelet vil vise "0:01"**. Luk lågen og vent indtil dræncyklussen er slut (omkring 1 minut). Åbn lågen og tænd for maskinen igen med knappen **TÆND/SLUK** og vælg den nye vaskecyklus og de ønskede indstillinger. Start programmet ved at trykke på knappen **START/Pause** og lukke lågen før der går 4 sekunder.

ISÆTNING AF EKSTRA SERVICE

Åbn lågen, først en smule for at undgå at vandet sprøjter ud, uden at slukke for maskinen (lysdioden **START/Pause** begynder at blinke) (**Pas på! Varm damp!**) og sæt servicet i opvaskemaskinen. Tryk på knappen **START/Pause** og luk lågen indenfor 4 sekunder. Programmet genstartes fra det punkt, det blev afbrudt i.

UTILSIGTEDE AFBRYDELSER

Hvis døren åbnes under et opvaskeprogram eller i tilfælde af en strømafbrydelse, stopper programmet. **KUN HVIS DU TRYKKER på knappen START/Pause** og lukker lågen indenfor 4 sekunder, genstartes programmet fra det punkt, det blev afbrudt i.

GODE RÅD OG TIPS

RÅD

Før kurvene fyldes skal alle madrester fjernes fra servicet, og glassene skal tømmes. **Det er ikke nødvendigt at skylle servicet af.**

Placer servicet, så det står stabilt og ikke vælter, og stil beholdere med åbningen nedad og buede/rundede flader placeret på skrå, så vandet kan nå alle flader og flyde frit. **Advarsel!** Læg, håndtag og stegepander må ikke stilles, så spulearmene ikke kan rotere. Stil små genstande i bestikskuffen.

Meget snavset service og gryder skal placeres i den nederste kurv, da servicet her spules kraftigere, hvilket sikrer et bedre vaskeresultat.

Når du har fyldt opvaskemaskinen, skal du kontrollere, at spulearmene kan rotere frit.

SERVICE, DER IKKE BØR MASKINOPVASKES

- Service og bestik af træ.
 - Sarte dekorerede glas, kunsthåndværk og antikt porcelæn. Dekorationerne tåler ikke maskinopvask.
 - Dele i syntetisk materiale, som ikke tåler høje temperaturer.
 - Service i kobber og tin.
 - Service tilsmudset med aske, voks, smørefedt eller blæk.
- Farverne på glasdekorationer og dele i aluminium/sølv kan forandre sig og falme. Nogle typer glas (f.eks. krystal) kan blive uigennemsigtige efter et antal vask i opvaskemaskine.

SKADER PÅ GLAS OG PORCELÆN

- Anvend kun glas og porcelæn, som producenten garanterer kan tåle opvaskemaskine.
- Anvend et skånsomt opvaskemiddel til servicet for at undgå hvide striber på glas.
- Tag glas og bestik ud af opvaskemaskinen, straks når opvaskeprogrammet er slut.

TIPS OM ENERGIBESPARELSE

- Hvis opvaskemaskinen anvendes i overensstemmelse med fabrikantens anvisninger, **vil vask af service i en opvaskemaskine sædvanligvis forbruge MINDRE ENERGI og vand end opvask i hånden.**
- Det anbefales at opvaskemaskinens program først startes, **når den er helt fyldt, for at udnytte den fulde effektivitet.** Fyldning af opvaskemaskinen til den af fabrikanten anførte kapacitet vil medvirke til at spare energi og vand. Oplysningerne om korrekt isætning af service findes i kapitlet **FYLDNING AF KURVENE**. Det anbefales at anvende de dedikerede programmuligheder, hvis disse findes (Halv vask/ Zone vask/ Multizone), og kun fylde de valgte kurve i tilfælde af delvis fyldning. Ukorrekt fyldning eller overfyldning af opvaskemaskinen kan forøge ressourceudnyttelsen (såsom vand, energi og tid, såvel som støjniveauet) og reducere vaske- og tørreedyevnen.
- Manuel skylning af servicen medfører et forhøjet forbrug af vand og energi og anbefales ikke.

HYGIEJNE

For at undgå generende lugte og aflejringer i opvaskemaskinen **bør man køre et program ved høj temperatur mindst en gang om måneden.** Kør en cyklus med en teskefuld opvaskemiddel og uden indhold, for at rengøre apparatet.

FROSTSIKRING

Hvis opvaskemaskinen er opstillet i et lokale med risiko for frost, **skal den tømmes fuldstændigt.** Luk for vandhane, og tag tilløbs- og afløbsslangerne af, og lad herefter vandet løbe ud. **Sørg for, at blødgøringsmidlets beholdere er fyldt med regenererings salt,** for at beskytte maskinen ned til -20°C. Hvis apparatet har stået i frostgrader skal det forblive slukket i en omgivelsestemperatur på mindst 5°C i **mindst 24 timer** før det tages i brug.

PROGRAMTABEL

Program	Programbeskrivelser	Tørings-fase	NaturalDry	Mulige indstillinger *)	Vaskeprogramets varighed (t: min)**	Vandforbrug (l/program)	Strømforbrug (kWh/program)
P1 Eco	Øko 50° - Øko programmet er egnet til vask af almindeligt snavset service og er det mest effektive program til dette formål, hvad angår kombinationen af energi- og vandforbrug, og dette anvendes til at vurdere overensstemmelsen med EU lovgivningen for miljøvenligt design.	✓	✓	POWER CLEAN, 1/2, +, Jh	3:30	9,5	0,76
P2	Auto Intensiv 65° - Automatisk program til meget snavset service og pander. Registrerer graden af tilsmudsning på servicet og justerer programmet i overensstemmelse hermed. Når sensoren registrerer tilsmudsningsgraden, vises en animation i displayet, og programmets varighed opdateres.	✓	✓	POWER CLEAN, 1/2, +, Jh	2:25-3:10	15,5-24,5	1,30-1,70
P3	Auto Blandet 55° - Automatisk program til almindeligt snavsete tallerkner med indtørrede madrester.	✓	✓	POWER CLEAN, 1/2, +, Jh	1:20-3:00	7,5-19,5	0,75-1,20
P4	Auto Hurtigt 50° - Automatisk program til almindeligt og let snavsete tallerkner. Hverdagscyklusen som sikrer optimal rengøring og tørring på kortere tid.	✓	✓	POWER CLEAN, 1/2, +, Jh	1:00-1:50	7,5-15,5	0,70-1,10
P5	Kort 45° - Programmet anbefales til mindre mængder af let snavsete tallerkner uden indtørrede madrester. Det omfatter ikke tørrefasen.	-	✓	1/2, +, Jh	0:30-0:40	10-12	0,55-0,65
P6	Krystal 45° - Program til sart service, som er mere følsomt over for høje temperaturer, f.eks. glas og kopper.	✓	✓	1/2, +, Jh	1:40-1:50	12,5-16,5	0,95-1,20
P7	Stille 55° - Velegnet, når opvaskemaskinen skal køre om natten. Sikrer optimal rengøring og tørring ved den laveste støjemission.	✓	✓	+, Jh	3:50-4:10	10,5-14,5	0,80-1,15
P8	Desinficering 65° - Normalt eller stærkt tilsmudset service med tilføjede antibakterielle midler. Dette program kan anvendes til at holde opvaskemaskinen ren.	✓	-	POWER CLEAN, 1/2, +, Jh	1:55-2:10	12-19	1,40-1,80
P9	Forvask - Bruges til at opfriske service, der skal vaskes senere. Der skal ikke benyttes opvaskemiddel til dette program.	-	✓	1/2, Jh	0:12	4,5	0,10
P10	Selvrensende 65° - Program til vedligeholdelse af opvaskemaskinen, som kun må afvikles for TOM opvaskemaskiner med specifikt fremstillede midler til vedligeholdelse af opvaskemaskiner.	-	-	Jh	1:15	11,0	1,10

Data for Øko-programmet er målt under laboratorieforhold iht. europæisk standard EN 60436:2020.

Note til testlaboratorierne: For oplysninger om betingelserne for en EN-testsammenligning, rettes henvendelse til: dw_test_support@whirlpool.com

Ingen af de forskellige programmer kræver forbehandling af servicen.

*) Ikke alle indstillinger kan anvendes samtidigt.

**) Værdierne for de andre programmer end Øko er kun vejledende. Den faktiske tid kan variere afhængig af mange faktorer, eksempelvis temperatur og tryk på vandtilførslen, rumtemperaturen, mængden af opvaskemiddel, mængden og typen af service, servicets afbalancering, øvrige valgte indstillinger og sensorens kalibrering. Sensorens kalibrering kan forøge programmets varighed med op til 20 min.

INDSTILLINGER OG FUNKTIONER

FUNKTIONER kan vælges/fravælges efter valg af programmet, ved at trykke direkte på den tilsvarende knap (hvis funktionen er disponibel, tænder indikatorer) (se BETJENINGSPANEL). Hvis en indstilling ikke kan anvendes sammen med det valgte program (se PROGRAMTABEL), blinker den tilhørende indikator hurtigt 3 gange og bipper. Indstillingen aktiveres ikke. En funktion kan ændre varigheden eller vand/energiforbruget for programmet.

POWER CLEAN® - Takket være de ekstra vanddyser giver denne funktion en mere intensiv og kraftig opvask i den nederste kurv, i dette specielle område. Denne funktion anbefales til opvask af kogegrej (Læs afsnittet the Power Clean®).

HALVT FYLDT - Hvis der ikke er mange tallerkner, der skal vaskes, anvendes programmet HALVT FYLDT til at spare vand, elektricitet og sæbe.

Husk at reducere mængden af sæbe.

+ EKSTRA TØR - En højere temperatur under sidste skyl og længere tøringsfase sikrer bedre tørring. Indstillingen EKSTRA TØR medfører, at vaskeprogrammet forlænges.

UDSÆT START - Programmets starttidspunkt kan udskydes med mellem 0:30 og 24 timer.

1. Markér programmet og de eventuelle ønskede valgmuligheder. Tryk (flere gange) på knappen UDSÆT START, for at udskyde programmets start. Kan indstilles til fra 0:30 til 24 timer. Når 24 timers indstillingen er nået, skal du trykke på UDSÆT START igen for at deaktivere funktionen UDSÆT START.
2. Tryk på knappen START/Pause og luk lågen indenfor 4 sekunder. Timeren begynder at tælle ned.
3. Når den indstillede tid er gået, slukkes kontrollampen, og programmet starter automatisk.

Funktionen UDSÆT START kan ikke indstilles, efter et program er blevet startet.

SANSER - Når sensoren registrerer tilsmudsningsgraden, vises en animation på displayet (cirka 20 min.), og programmets varighed opdateres. Sensing angår tallerknernes tilsmudsningsgrad og findes til alle cyklusserne (bortset fra Øko) og justerer programmet herefter.

PROGRAMMET FAVORIT - Favoritprogrammet kan gemmes og vil være let tilgængeligt. Find programmet ved hjælp af FORRIGE/NÆSTE, og tryk derefter på knappen til PROGRAMMET FAVORIT i 3 sekunder.

LYS PÅ GULVET - En lysstråle på gulvet fra en lysdiode angiver at opvaskemaskinen kører. Lyset slukker efter endt cyklus. Denne funktion er aktiv som standard, men det er muligt at slå den fra i menuen "INDSTILLINGER".

NaturalDry - Er et tørresystem med varmluft, som automatisk åbner lågen under/efter tørrefasen, for at sikre en exceptionel tørring hver dag. Lågen åbnes ved en temperatur, som ikke udretter skade på dine køkkenelementer, så lågen vil derfor ikke blive åbnet. Som en yderligere beskyttelse mod dampen er opvaskemaskinen blevet udstyret med en specialdesignet beskyttelsesfolie.

Oplysningerne om hvordan beskyttelsesfolien skal monteres findes i INSTALLATIONSVEJLEDNINGEN. Denne egenskab er som default aktiv, men det er muligt at slå den fra i "INDSTILLINGSMENUEN".

FJERNELSE AF KALK - Alarm - Der blev registreret kalkophobning på indvendige komponenter i apparatet. Kontroller, om **Indstillingen af Vandets Hårdhedsgrad** er på den korrekte værdi, og om der er salt i saltbeholderen (se FØRSTEGANGSBRUG), og **brug derefter et afkalkningsprodukt (WPro-mærke anbefales) med selvrensningsprogrammet (Selvrensende)**. Efter en vellykket afkalkning stopper ikonet med at blive vist. Hvis handlingerne ovenfor ikke udføres, vil produktets ydeevne forringes. Advarslen AFKALK begynder at blinke, og «des»-alarmen vises på displayet. Hvis der stadig ikke foretages nogen handling, vil apparatet kun tillade, at et bestemt antal cyklusser startes (angivet med visningen af «des»-alarmen) og vil derefter blive **BLOKERET** for at forhindre beskadigelse af komponenter, **med kun Selvrensningsprogrammet tilgængeligt**. Når der udføres en komplet afkalkning, fjernes blokeringen af produktet. Ved ekstremt store mængder kalk skal afkalkning muligvis udføres to gange for at være effektiv.

VANDHANEN ER LUKKET - Alarm - Blinker, hvis der ikke er vandtilførsel eller hvis vandhanen er lukket.

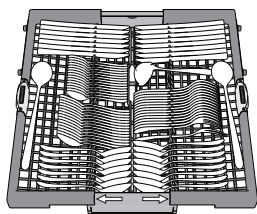
FYLDNING AF KURVENE

KAPACITET: 15 standardkuverter

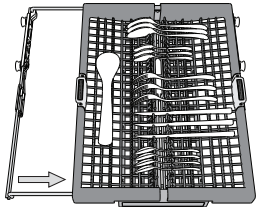
BESTIKKURV

Den tredje kurv er beregnet til bestik. Anbring bestikket som vist på tegningen. Separat anbragt bestik gør det nemmere at sortere dem efter opvask og forbedrer vaske- og tørreresultatet.

Knive og andre skarpe genstande skal placeres med spidserne nedad.



Kurvens geometri giver mulighed for at anbringe selv så små ting som espressokopper i det centrale område.

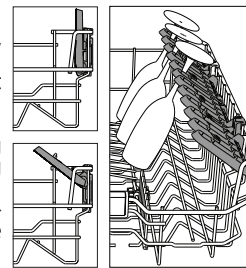


Vipbare hylder med justerbar position

De vipbare hylder i siderne kan åbnes eller lukkes, for at optimere placeringen af service i kurven. Vinglas kan stilles sikkert i de vipbare hylder ved at sætte glassets stilk i fordybningerne.

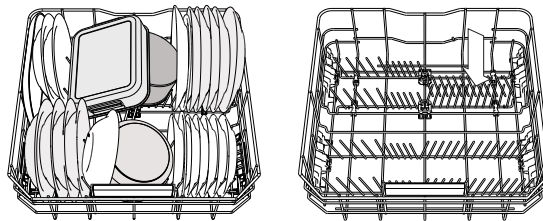
Afhængigt af model:

- skal hylderne åbnes ved at trække dem opad og dreje dem eller udløse deres låsemekanismer og skubbe dem ned.
- skal hylderne lukkes ved at dreje dem eller trykke dem nedad eller trække dem opad og indkoble hylderne i låsemekanismerne.



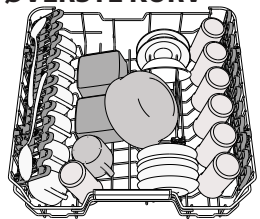
NEDERSTE KURV

Til gryder, tallerkener, salatskåle, bestik osv. Store tallerkener og låg bør placeres i siderne for at undgå, at spulearmen støder imod dem. Den nederste kurv har holdere, der nemt kan vippe op og bruges i lodret position til placering af tallerkener eller lægges ned for at give plads til gryder og salatskåle.



(eksempel på placering af service i den nederste kurv)

ØVERSTE KURV



Til sart og let service: glas, kopper, underkopper, lave salatskåle.

Den nederste kurv har holdere, der nemt kan vippe op og bruges i lodret position til placering af side/desserttallerkener eller lægges ned for at give plads til gryder og skåle.

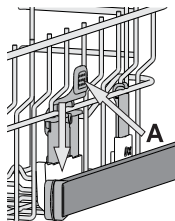
(eksempel på placering af service i den øverste kurv)

Indstilling af højden for den øverste kurv

Højden for den øverste kurv kan indstilles: Høj placering, der giver plads til stort service i den nederste kurv, og lav placering, som gør det muligt at udnytte de vipbare hylder og få bedre plads i højden og undgå kollision med tingene i den øvre kurv.

Den øverste kurv har en **højdejusteringsanordning** (se billedet), der blot løftes op ved at holde i kurvens sider, så snart kurven hænger stabilt i den øverste position. Tryk på grebene (A) på kurvens sider og flyt kurven nedad for at flytte den tilbage til den nederste position.

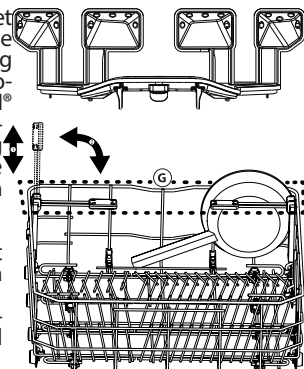
Vi anbefaler kraftigt, at du ikke ændrer kurvens indstillinger, mens der står service i den. Kurven må ALDRIG kun løftes eller sænkes i den ene side.



POWER CLEAN®

Med funktionen Power Clean® bliver meget snavsede ting vasket ekstra effektivt med de særlige vanddyser bagest i maskinen. Anbring kogegrej så det vender i retning af afstandszonen komponenten og aktivér **POWER CLEAN®** fra panelet. Den nederste kurv har en afstandszone, som er en særlig udtræksanordning bagerst på kurven, som kan bruges til at støtte stegepander eller bradepander, så de kan stå op og dermed optage mindre plads. Brug af Power Clean®:

1. Regulér Power Clean®-området **G** ved at lægge de bageste tallerkenstativer ned, så der bliver plads til kogegrej
2. Sæt gryder og pander på skrå i Power Clean®-området. Kogegrejet skal vende mod de kraftige vanddyser.



PLEJE OG VEDLIGEHOLDELSE

RENGØRING AF FILTERENHEDEN

Rengør filterenheden jævnligt, så filtrene ikke stoppes til, og så vandet ledes korrekt ud.

Brug af opvaskemaskinen med tilstoppede filtre eller fremmedlegemer i filteringsystemet eller vaskearmene kan medføre fejlfunktion på enheden og nedsat ydeevne, høj støj eller større ressourceforbrug.

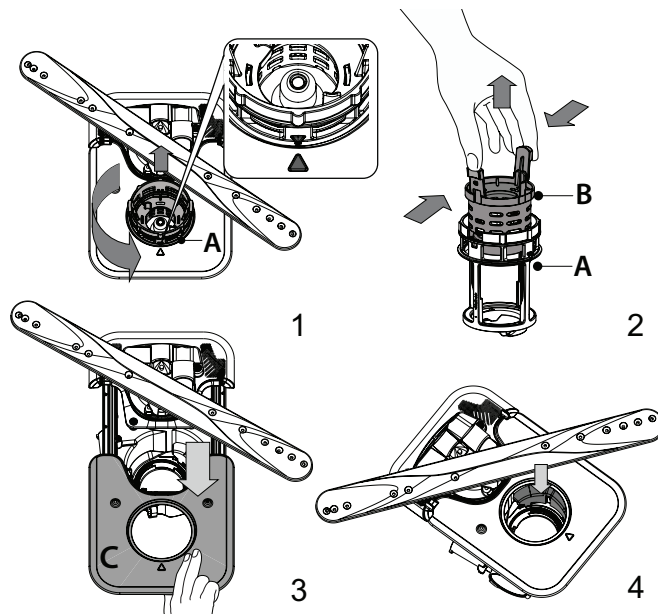
Filterenheden består af tre filtre, som fjerner madrester fra opvask vandet og derefter recirkulerer vandet. De skal rengøres, for at opnå det bedste resultat af hver opvask.

Opvaskemaskinen må ikke anvendes uden filtre eller med filtret sidende løst.

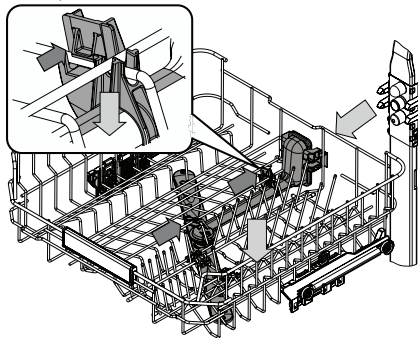
Kontroller filterenheden mindst en gang om måneden eller efter 30 cyklusser, og rengør den om nødvendigt grundigt under rindende vand med en ikke-metalholdig børste som beskrevet i vejledningen nedenfor:

1. Drej det cylinderformede filter **A** mod uret, og træk det ud (Figur 1). **Det er vigtigt, at de to trekanter, vist i detaljen, mødes, når filteret installeres igen.**
2. Tag filterkappen **B** ud ved at trykke let på sidefligene (Figur 2).
3. Træk det rustfrie stålfilter ud **C** (Figur 3).
4. Hvis der findes fremmedlegemer (for eksempel glasskår, porcelæn, ben, frugtkerner etc.) skal de fjernes forsigtigt.
5. Kontroller opsamlere, og fjern eventuelle madrester. **FJERN ALDRIG beskyttelsesdelen til pumpen (vist med en pil) (Figur 4).**

Når filtrene er rengjort, sættes filterenheden på plads og fastgøres i den korrekte position. Dette er afgørende for, at opvaskemaskinen kan fungere effektivt.

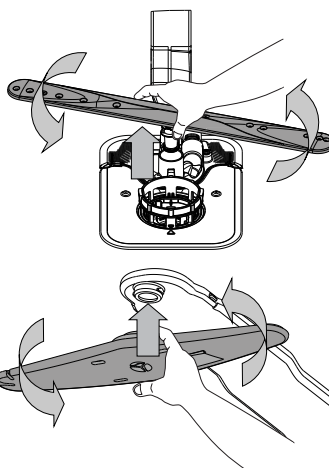


RENGØRING AF SPULEARMENE



Der kan sidde madrester fast på spulearmene, som kan blokere de huller, vandet kommer ud af. Det anbefales derfor jævnligt at efterse spulearmene og rengøre dem med en lille ikkemetalholdig børste.

Den øvre spuling skal fjernes sammen med manifolden.



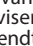
Den nedre spulearm kan tages af ved at trække den opad og dreje den mod uret. Den nedre spulearm sættes på igen ved at trække den nedad og dreje den med uret.

Den øverste spulearm kan tages af ved at trykke den opad og dreje den mod uret. Spulearmen sættes på igen ved at trække den opad og dreje den med uret.

FEJLFINDING

Tjek om du kan løse et problem ved hjælp af den nedenstående liste, hvis din opvaskemaskine ikke virker som den skal. Kontakt venligst et autoriseret servicecenter i tilfælde af andre fejl eller problemer. Kontaktdetaljerne findes i garantihæftet. Reservedele vil stå til rådighed i en periode på enten 7 eller 10 år i overensstemmelse med kravene i den specifikke forordning.

PROBLEMER	MULIGE ÅRSAGER	AFHJÆLPE
Kontrollampen for salt er tændt	Saltbeholderen er næsten tom.	Fyld saltbeholderen (se PÅFYLDNING AF SALT for flere oplysninger). Tjek om nødvendigt indstillingen af vandets hårdhed - se INDSTILLING AF VANDETS HÅRDHEDSGRAD.
Kontrollampen for salt blinker	Saltbeholderen er tom.	Fyld så snart som muligt saltbeholderen op. Brug af apparatet uden salt kan udrette skade på de interne komponenter.
Kontrollampen for afspændingsmiddel er tændt eller blinker	Afspændingsmiddelrummet er tomt. (Efter genopfyldning kan kontrollampen for afspændingsmiddel blive ved med at lyse i et stykke tid).	Fyld rummet med afspændingsmiddel (se PÅFYLDNING AF AFSPÆNDINGSMIDDEL).
Kontrollampen for afkalkning er tændt eller blinker, alarmerne „dES“ visualiseres.	Kalk aflejres på apparatets interne ved hjælp af komponenter.	Afkalk øjeblikkeligt apparatet ved hjælp af programmet Selvrensende og et almindeligt afkalkningsprodukt (se INDSTILLINGER OG FUNKTIONER). Fyld beholderen op med salt. Tjek indstillingen af vandets hårdhedsgrad. Hvis apparatet ikke afkalkes, vil det holde op med at fungere.
Opvaskemaskinen starter ikke eller reagerer ikke på kommandoer.	Strømmen er ikke tilsluttet korrekt.	Sæt stikket i kontakten.
	Strømafbrydelse.	Af sikkerhedsårsager genstartes opvaskemaskinen ikke automatisk, når strømmen genetableres. Åbn opvaskemaskinens låge, tryk på knappen START/Pause og luk lågen indenfor 4 sekunder.
	Lågen er ikke lukket. NaturalDry stiften er ikke trykket ind.	Tryk på døren, til du hører et „klik“.
	Et program afbrydes af at lågen åbnes i over 4 sekunder.	Tryk på START/Pause og luk lågen inden for 4 sekunder.
Opvaskeren tømmes ikke for vand. På displayet vises: F7 E3 eller F9 E1	Filteret er tilstoppet af madrester eller kalkaflejringer.	Rengør filteret og afkalk apparatet (se RENGØRING AF FILTERENHEDEN og AFKALKNINGSSANVISNINGERNE).
	Drænslangen er bøjet.	Tjek drænslangen (se INSTALLATIONSANVISNINGERNE).
	Vaskens afløb er tilstoppet.	Rens afløbet.
Opvaskemaskinen støjer meget.	Servicet slår mod hinanden.	Anbring servicet korrekt (se FYLDNING AF KURVENE).
	Der er for meget skum.	Opvaskemidlet er ikke doseret korrekt eller er ikke egnet til brug i opvaskemaskine (se PÅFYLDNING AF OPVASKEMIDDEL). Genstart programmet ved at slukke for opvaskemaskinen, tænde den igen, vælg et nyt program, tryk på knappen START/Pause og lukke lågen indenfor 4 sekunder. Tilsæt ikke mere opvaskemiddel.
	Servicet er ikke blevet placeret korrekt.	Placer servicet korrekt (se FYLDNING AF KURVENE).
	Filteret er tilstoppet af madrester eller kalkaflejringer.	Rengør filterenheden (se PLEJE OG VEDLIGEHOLDELSE).
Servicet er ikke rent.	Servicet er ikke blevet placeret korrekt.	Placer servicet korrekt (se FYLDNING AF KURVENE).
	Spulearmene kan ikke rotere frit, men blokeres af servicet.	Placer servicet korrekt (se FYLDNING AF KURVENE). Kontrollér, at den øvre kurv er placeret korrekt og justér (løft den) om nødvendigt.
	Vaskecyklussen er for skånsom.	Vælg en egnet vaskecyklus (se PROGRAMTABEL).
	Der er for meget skum.	Opvaskemidlet er ikke doseret korrekt eller er ikke egnet til brug i opvaskemaskine (se PÅFYLDNING AF OPVASKEMIDDEL).
	Dækslet på afspændingsmiddelrummet er ikke blevet lukket korrekt.	Kontroller, at dækslet på afspændingsmiddelrummet er lukket.
	Filteret er tilstoppet af madrester eller kalkaflejringer.	Rens filteret og afkalk apparatet (se RENGØRING AF FILTERENHEDEN).
	Saltbeholderen er tom.	Påfyld salt (se PÅFYLDNING AF SALT).

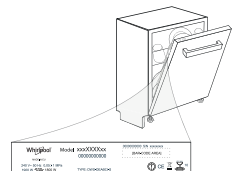
PROBLEMER	MULIGE ÅRSAGER	AFHJÆLPE
Opvaskemaskinen tager ikke vand ind. Displayet viser: H2O og  er tændt; der høres en lydalarm.	Der er ingen vand i vandforsyningen, eller der er lukket for hanen.	Kontrollér, at der er vand i vandforsyningen og at vandhanen er åben.
	Vandindløbsslangen er bøjet.	Kontrollér indløbsslangen (se <i>INSTALLATION</i>). Åbn opvaskemaskinens låge, tryk på knappen START/Pause og luk lågen indenfor 4 sekunder.
	Skærmen i vandindløbsslangen er stoppet. Den skal rengøres.	Tjek og rens skærmen i vandindløbsslangen. Åbn opvaskemaskinens låge, tryk på knappen START/Pause og luk lågen indenfor 4 sekunder.
Opvaskemaskinen afslutter cyklussen, før den er færdig. Displayet viser: F8 E3	Filteret er tilstoppet af madrester eller kalkaflejringer.	Rengør filteret og afkalk apparatet (se <i>RENGØRING AF FILTERENHEDEN og AFKALKKNINGSANVISNINGERNE</i>).
	Afløbsslangen er anbragt for lavt eller afledes i en vandlås i hjemmets spildevandssystem.	Kontrollér at afløbsslangen er anbragt i den korrekte højde (se <i>INSTALLATION</i>). Kontrollér vandlåsen i hjemmets kloaksystem og monter, om nødvendigt, en vandlås-/luftadgangsventil.
	Der er for meget skum. Luft i vandforsyningen.	Opvaskemidlet er ikke doseret korrekt eller er ikke egnet til brug i opvaskemaskine (se <i>PÅFYLDNING AF OPVASKEMIDDEL</i>). Kontrollér vandtilførslen for lækager eller andre årsager til luft heri.
Servicet er ikke tørt nok.	Afspændingsmidlet mangler eller doseringen er for lå.	Kontrollér at afspændingsmiddelrummet er fyldt (se <i>PÅFYLDNING AF AFSPÆNDINGSMIDDEL</i>). Multifunktionstabletter alene vil ikke formidle samme gode tørrevirkning som reel brug af flydende afspændingsmiddel.
	Maskinen er blevet tømt efter en automatisk åbning af lågen, men inden programmet reelt var slut.	Kontrollér at programmet er afsluttet før maskinen tømmes (se <i>DAGLIG BRUG</i>). For at opnå endnu bedre tørreresultater anbefaler vi, at man lader servicet stå i opvaskemaskinen for åben låge i 15 minutter efter programmets afslutning.
	Servicet står for fladt.	Hvis du bemærker, at der er vand indendigt i hulrum på kopper, krus eller skåle, bør du prøve at stille servicet mere skævt (især i den øvre kurv) så vandet nemmere kan dryppe af før tørringen starter.
	Det valgte program har ingen tørrefase. Servicet er lavet af slip-let-materiale eller plast.	Kontrollér i <i>PROGRAMTABEL</i> om det valgte program har en tørrefase. Cyklusser uden tørrefase giver ikke altid den ønskede tørhedseffekt, så det anbefales at ændre valget af cyklus til en med tørrefase. Vanddråber på denne materialetype er normalt.
Tallerkner og glas kan have blå striber eller blålige skær.	Doseringen af afspændingsmiddel er for høj.	Justér doseringen til en lavere indstilling.
Service og glas er dækket af kalkaflejringer eller en hvidlig film.	Saltbeholderen er tom.	Fyld så snart som muligt saltbeholderen op. Brug af apparatet uden salt kan udrette skade på de interne komponenter.
	Vandets hårdhedsgrad er indstillet for lavt.	Førøg indstillingen (se <i>TABEL OVER VANDHÅRDHEDSGRADER</i>).
	Dækslet på saltbeholderen er ikke lukket korrekt. Afspændingsmiddelrummet er tomt eller afspændingsmidlet er doseret for lavt.	Kontrollér og luk saltbeholderens dæksel. Fyld rummet med afspændingsmiddel og kontrollér doseringens indstilling (se <i>PÅFYLDNING AF AFSPÆNDINGSMIDDEL</i>).
På opvaskemaskinen vises F8 E5	Ventilen er blokeret eller defekt.	Luk om muligt for vandhanen. Sluk ikke for strømforsyningen. Ring til service.



Retningslinjer, standarddokumentation, bestilling af reservedele og supplerende produktinformation kan findes ved at:

- Ved hjælp af QR-koden og besøge vores website docs.whirlpool.eu
- Besøge vores website parts-selfservice.whirlpool.com
- Eller som alternativ **kontakte vores serviceafdeling** (Telefonnummeret findes i garantihæftet). Når du kontakter vores serviceafdeling, bedes du angive koderne på dit produkts identifikationskilt.

Modelinformation kan indhentes ved hjælp af den anførte QR-kode på energimærkatet. Mærkatet indeholder også modelidentifikatoren, som kan anvendes til at indhente oplysninger på registerportalen <https://eprel.ec.europa.eu> (kun disponibel på visse modeller).





GRACIAS POR COMPRAR UN PRODUCTO WHIRLPOOL.
Si desea recibir un servicio más completo, registre su aparato en: www.whirlpool.eu/register

Antes de usar el aparato, lea atentamente las instrucciones de seguridad e instalación. Más información sobre su producto disponible en el sitio web: docs.whirlpool.eu



Después de la instalación, recuerde retirar todas las piezas de protección para el transporte del lavavajillas.

PANEL DE CONTROL

1. Botón de **ENCENDER-APAGAR/Restablecer** con indicador luminoso
2. Botón **programa ANTERIOR**
3. Botón **programa SIGUIENTE**
4. Botón de **programa FAVORITO** con indicador luminoso
5. Indicador luminoso de depósito de **sal** vacío
6. Indicador luminoso de depósito de **abrillantador** vacío
7. Indicador luminoso **DESCALCIFICACIÓN**
8. Indicador luminoso de **grifo cerrado**
9. **Pantalla**
10. **Número de programa** e indicador de **tiempo restante**
11. Botón de **opción Power Clean** con indicador luminoso



12. Botón de **opción de Media Carga** con indicador luminoso/**Ajustes** - pres. 3 s
13. Botón de **opción Secado Extra** con indicador luminoso
14. Botón de **opción Aplazamiento** con indicador luminoso
15. Botón de **INICIO/Pausa** con indicador luminoso

PRIMER USO

AJUSTES MENÚ

1. Encienda el aparato pulsando el botón **ENCENDER-APAGAR**.
2. Mantenga pulsado el botón de **Ajustes** (Media Carga) durante 3 segundos, hasta que oiga una señal acústica y la pantalla muestre "SET".
3. Después de un segundo se mostrará el primer ajuste disponible (letra, "h").
4. Pulse **ANTERIOR</SIGUIENTE>** para desplazarse por la lista de ajustes disponibles (véase la tabla siguiente) y, a continuación, pulse **INICIO/Pausa** para ver y cambiar el valor del ajuste actualmente seleccionado.
5. Pulse **ANTERIOR</SIGUIENTE>** para cambiar el valor y, a continuación, pulse **INICIO/Pausa** para guardar el nuevo valor y volver al menú principal.
6. Para cambiar otro ajuste, repita los puntos 4 y 5.
7. Pulse **ENCENDER-APAGAR** o espere 30 segundos para salir del menú.

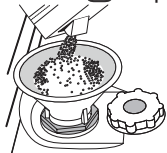
LETRA	AJUSTE	VALORES (Por defecto - en negrita)
h	Nivel de dureza del agua (consulte "AJUSTE DE LA DUREZA DEL AGUA" y "TABLA DE DUREZA DEL AGUA")	1 2 3 4 5
f	Nivel del abrillantador (consulte "AJUSTE DE LA DOSIS DE ABRILLANTADOR")	0 1 2 3 4 5
c	NaturalDry (consulte "OPCIONES Y FUNCIONES") "1" = Encendido, "0" = Apagado	1 0
l	Luz en el suelo (consulte "OPCIONES Y FUNCIONES") "1" = Encendido, "0" = Apagado	1 0
s	Sonido "1" = Encendido, "0" = Apagado	1 0
i	Ajustes de fábrica Pulse INICIO/Pausa para restablecer los valores de fábrica de todos los ajustes incluidos en el menú de configuración.	-

LLENADO DEL DEPÓSITO DE SAL

El uso de sal evita la formación de INCRUSTACIONES DE CAL en la vajilla y en los componentes funcionales de la máquina.

El depósito de sal se encuentra en la parte inferior del lavavajillas (bajo la rejilla inferior del lado izquierdo).

- Es obligatorio que el **depósito de sal no esté nunca vacío**.
- Es importante ajustar la dureza del agua.
- La sal debe llenarse cuando el **indicador luminoso de RECARGA DE SAL** del panel de control esté encendido.



1. Retire la bandeja inferior y desensrosque el tapón del depósito (en sentido antihorario).
2. Coloque el embudo (consulte figura) y llene el depósito de sal hasta el borde (aproximadamente 0,5 kg); puede derramarse un poco de agua.
3. **Pasos a seguir solo la primera vez: llene el depósito de sal con agua.**

4. Retire el embudo y limpie cualquier residuo de sal del orificio. Asegúrese de que el tapón esté bien cerrado, de modo que el detergente no pueda entrar en el depósito durante el programa de lavado (esto podría estropear irremisiblemente el ablandador del agua).

Ejecute un programa cada vez que termine de rellenar el depósito de sal para evitar la corrosión.

Ajuste de la dureza del agua

Para que el ablandador del agua funcione a la perfección, es esencial que la configuración de la dureza del agua se base en la dureza real del agua de su casa. Su suministrador de agua local le puede proporcionar esta información. El ajuste de fábrica es "3". Consulte "TABLA DE DUREZA DEL AGUA".

Tabla de dureza del agua

Nivel	°dH		
	Niveles Alemanes	Niveles Franceses	°Clark Niveles Ingleses
1 (blanda)	0 - 6	0 - 10	0 - 7
2 (media)	7 - 11	11 - 20	8 - 14
3 (normal)	12 - 16	21 - 29	15 - 20
4 (dura)	17 - 34	30 - 60	21 - 42
5 (muy dura)	35 - 50	61 - 90	43 - 62

Para cambiarlo, siga las instrucciones del apartado "AJUSTES MENÚ".

Utilice solamente sal fabricada específicamente para lavavajillas.

Cuando haya echado la sal dentro del depósito, el indicador luminoso de RECARGA DE SAL se apagará.

Si el depósito de sal no se llena, el ablandador del agua y la resistencia pueden sufrir daños como resultado de la acumulación de incrustaciones de cal.

Se recomienda utilizar sal con cualquier tipo de detergente para lavavajillas.

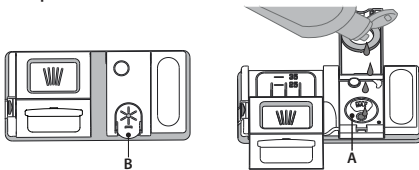
SISTEMA DE ABLANDAMIENTO DE AGUA

El ablandador del agua reduce automáticamente la dureza del agua, evitando así la acumulación de incrustaciones en el calentador y permitiendo también una mayor eficiencia del lavado. **Este sistema se regenera con sal, por lo que es necesario rellenar el depósito de sal cuando está vacío.** La frecuencia de la regeneración depende del ajuste del nivel de dureza del agua. La regeneración se produce una vez cada 4-6 ciclos Eco con la dureza del agua ajustada en el nivel 3. El proceso de regeneración se produce al principio del ciclo con agua fresca adicional.

- Una regeneración consume: ~3 l de agua;
- Añade hasta 5 minutos adicionales al ciclo;
- Consume menos de 0,005 kWh de energía.

LLENADO DEL DISPENSADOR DEL ABRILLANTADOR

El abrillantador facilita el SECADO de la vajilla. El dispensador de abrillantador **A** se debe rellenar cuando el **indicador luminoso ABRILLANTADOR** del panel de control se encienda.



1. Abra el dispensador **B** pulsando y subiendo la lengüeta de la cubierta.
2. Introduzca el abrillantador con cuidado como máximo hasta la última marca (110 ml) de referencia del depósito, evitando que se derrame.

Si se derrama, limpie el derrame inmediatamente con un paño seco.

3. Pulse la cubierta hacia abajo hasta que oiga un «clac» para cerrarla. NUNCA eche el abrillantador directamente en la cuba.

Ajuste de la dosis de abrillantador

Si los resultados del secado no le satisfacen totalmente, puede ajustar la cantidad de abrillantador utilizada. Para cambiarlo, siga las instrucciones del apartado "AJUSTES MENÚ".

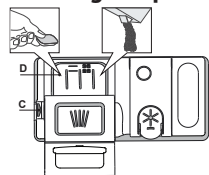
Si se selecciona el nivel de abrillantador CERO, no se suministrará abrillantador. El indicador **luminoso de ABRILLANTADOR BAJO** no se encenderá si el abrillantador se termina.

Se pueden configurar 6 niveles como máximo según el modelo de lavavajillas.

- Si ve manchas azuladas en la vajilla, seleccione un número bajo (0-3).
- Si hay gotas de agua o incrustaciones de cal en la vajilla, seleccione un número alto (4-5).

RELLENAR EL DISPENSADOR DE DETERGENTE

Para abrir el dispensador de detergente utilice el mecanismo de apertura C. Introduzca el detergente solo en el dispensador D seco. Eche la cantidad de detergente para el prelavado directamente dentro de la cuba.



1. Cuando dosifique el detergente, consulte la información mencionada anteriormente para añadir la cantidad correcta. Dentro del dispensador D hay indicaciones para ayudarle a dosificar el detergente.
2. Retire los restos de detergente de los bordes del dispensador y cierre la tapa hasta oír un clic.
3. Cierre la tapa del dispensador de detergente levantándola hasta que el mecanismo de cierre quede bien fijado.

USO DIARIO

1. COMPROBACIÓN DE LA CONEXIÓN DE AGUA

Compruebe que el lavavajillas esté conectado al suministro de agua y que el grifo esté abierto.

2. ENCENDIDO DEL LAVAVAJILLAS

Abra la puerta y pulse el botón **ENCENDER/APAGAR**.

3. CARGA DE LAS BANDEJAS (consulte LLENADO DEL LAVAVAJILLAS).

4. LLENADO DEL DISPENSADOR DE DETERGENTE

5. ESCOGER EL PROGRAMA Y PERSONALIZAR EL CICLO

Seleccione el programa más apropiado según el tipo de vajilla y el nivel de suciedad (consulte DESCRIPCIÓN DE PROGRAMAS) pulsando los botones **ANTERIOR/SIGUIENTE**.

Seleccione las opciones deseadas (consulte OPCIONES Y FUNCIONES). No todas las opciones son compatibles con todos los programas.

6. INICIO

Inicie el ciclo de lavado pulsando el botón **INICIO/Pausa** y cerrando la puerta en un plazo de 4 seg. Cuando el programa se inicia se oye una señal acústica. Si la puerta no se ha cerrado en un plazo de 4 seg, suena la alarma. En este caso, abra la puerta, pulse el botón **INICIO/Pausa** y vuelva a cerrar la puerta en un plazo de 4 segundos.

7. FINALIZACIÓN DEL CICLO DE LAVADO

El final del ciclo lavado se indica mediante un sonido y la pantalla muestra la palabra **END (FIN)**. Abra la puerta y apague el aparato pulsando el botón **ENCENDER/APAGAR**.

Espere unos minutos antes de retirar la vajilla, para evitar quemaduras. Descargue las bandejas, empezando por la inferior.

El dispensador de detergente se abre automáticamente en el momento adecuado según el programa.

UEI uso de detergente no diseñado para lavavajillas puede provocar fallos de funcionamiento o daños en el aparato.

MODIFICACIÓN DE UN PROGRAMA EN CURSO

Si se ha equivocado al seleccionar el programa, se puede cambiar, siempre que acabe de empezar. **REINICIAR** la máquina: mantenga pulsado el botón **ENCENDER/APAGAR** durante más de 3 segundos, la máquina se apagará. **El tablero mostrará "0:01"**. Cierre la puerta y espere a que termine el ciclo de desagüe (1 minuto aproximadamente). Abra la puerta, vuelva a encender la lavadora utilizando el botón de **ENCENDER/APAGAR** y seleccione el nuevo ciclo de lavado y las opciones. Inicie el ciclo de lavado pulsando el botón **INICIO/Pausa** y cerrando la puerta en 4 segundos.

AÑADIR VAJILLA EXTRA

Sin apagar la máquina, abra primero ligeramente la puerta para evitar que el agua salpique (el LED de **INICIO/Pausa** comienza a parpadear) (**Precaución! ¡Vapor caliente!**) y coloque la vajilla dentro del lavavajillas. Cierre la puerta y pulse el botón de **INICIO/Pausa** y cierre la puerta en un plazo de 4 seg, el ciclo se reanuda desde donde se interrumpió.

INTERRUPCIONES ACCIDENTALES

Si se abre la puerta durante el ciclo de lavado, o si hay un corte de corriente, el ciclo se detiene. Cierre la puerta y **SOLO SI PRESIONA** el botón **INICIO/Pausa** y cierra la puerta en un plazo de 4 seg, el ciclo se reanuda desde donde se interrumpió.

SUGERENCIAS Y CONSEJOS

CONSEJOS

Antes de cargar los cestos, elimine todos los residuos de comida de la vajilla y vacíe los vasos. **No es necesario aclarar previamente con agua corriente.** Coloque la vajilla de tal modo que quede bien sujeta y no se vuelque; y coloque los recipientes con las bocas hacia abajo y las partes cóncavas/convexas en posición oblicua, permitiendo que el agua llegue a todas las superficies y fluya libremente.

Advertencia: tapas, mangos, bandejas y sartenes no deben impedir que los brazos aspersores giren.

Coloque cualquier objeto pequeño en el canastillo para cuchillería. La vajilla y los utensilios muy sucios se deberían colocar en la bandeja inferior porque en este sector los aspersores de agua son más resistentes y permiten un rendimiento de lavado superior.

Una vez cargado el aparato, asegúrese de que los brazos aspersores puedan girar libremente.

VAJILLA INADECUADA

- Vajilla y cubiertos de madera.
 - Cristalería con adornos delicados, artesanía y vajilla antigua. Los adornos no son resistentes.
 - Partes de material sintético que no resistan altas temperaturas.
 - Vajilla de cobre y latón.
 - Vajilla sucia de ceniza, cera, grasa lubricante o tinta.
- Los colores de los adornos del cristal y las piezas de aluminio/plata pueden cambiar y descolorarse durante el proceso de lavado. Algunos tipos de vidrios (p. ej. los objetos de cristal) también pueden volverse opacos después de varios ciclos de lavado.

DAÑOS A LA CRISTALERÍA Y A LA VAJILLA

- Utilice solo cristalería y porcelana garantizadas por el fabricante como aptas para lavavajillas.
- Utilice un detergente delicado adecuado para la vajilla.
- Saque la cristalería y la cubertería del lavavajillas inmediatamente después de la finalización del ciclo de lavado.

CONSEJOS SOBRE AHORRO ENERGÉTICO

- Si el lavavajillas doméstico se utiliza siguiendo las instrucciones del fabricante, **lavar platos en el lavavajillas suele consumir MENOS ENERGÍA y agua que el lavado a mano.**
- Para maximizar la eficiencia del lavavajillas, **se recomienda iniciar el ciclo de lavado cuando el lavavajillas esté totalmente cargado.** Cargar el lavavajillas doméstico hasta la capacidad indicada por el fabricante contribuirá a ahorrar energía y agua. Puede encontrar información sobre la carga correcta de la vajilla en el capítulo CARGA DE LAS CESTAS. En caso de carga parcial, se recomienda utilizar las opciones de lavado específicas si están disponibles (Media carga/ Zone Wash/ Multizonas), llenando solo las cestas seleccionadas. La carga incorrecta o excesiva del lavavajillas puede aumentar el consumo de recursos (como el agua, la energía y el tiempo, así como el nivel de ruido), reduciendo el rendimiento de lavado y de secado.
- El preaclarado manual de la vajilla conlleva un mayor consumo de agua y energía y no está recomendado.

HIGIENE

Para evitar malos olores y sedimentos que se pueden acumular en el lavavajillas, **ejecute un programa a alta temperatura al menos una vez al mes.** Utilice una cucharadita de café de detergente y ejecútelo sin carga para limpiar el aparato.

RESISTENCIA A LAS HELADAS

Si se va a colocar el electrodoméstico en un lugar con riesgo de heladas, **debe desagüarse completamente.** Cierre la llave del agua, retire los tubos de entrada y de salida y deje que desagüe completamente. **Asegúrese de que el descalcificador esté lleno de sal regeneradora disuelta en el depósito de sal** para proteger el electrodoméstico de temperaturas de hasta -20 °C.

Si el aparato se ha almacenado en condiciones de heladas, debe permanecer a una temperatura ambiente de mín. 5°C durante **al menos 24 horas** antes de la primera puesta en marcha.

TABLA DE PROGRAMAS

Programa	Descripción de programas	Fase de secado	NaturalDry	Opciones disponibles *)	Duración del programa de lavado (h:min)**)	Consumo de agua (litros/ciclo)	Consumo de energía (kWh/ciclo)
P1 Eco	Eco 50° - Programa Eco es adecuado para lavar utensilios con suciedad normal, para este uso es el programa más eficiente en términos de consumo combinado de energía y agua, y se utiliza para valorar el cumplimiento con la legislación de Ecodiseño de la UE.	✓	✓	POWER CLEAN 1/2 + ↻	3:30	9,5	0,76
P2	Auto Intensivo 65° - Programa automático para vajillas y utensilios muy sucios.	✓	✓	POWER CLEAN 1/2 + ↻	2:25-3:10	15,5-24,5	1,30-1,70
P3	Auto Mezclado 55° - Programa automático para vajilla normalmente sucia con restos de comida seca.	✓	✓	POWER CLEAN 1/2 + ↻	1:20-3:00	7,5-19,5	0,75-1,20
P4	Auto Rápido 50° - Programa automático para vajilla con suciedad normal y ligera. El ciclo diario que garantiza un rendimiento de limpieza y secado óptimos en poco tiempo.	✓	✓	POWER CLEAN 1/2 + ↻	1:00-1:50	7,5-15,5	0,70-1,10
P5	Rápido 45° - Este programa se recomienda para una cantidad limitada de vajilla poco sucia y sin restos de comida seca. No incluye fase de secado.	-	✓	1/2 + ↻	0:30-0:40	10-12	0,55-0,65
P6	Cristal 45° - Programa para artículos delicados, que son más sensibles a las temperaturas altas, por ejemplo vasos y tazas.	✓	✓	1/2 + ↻	1:40-1:50	12,5-16,5	0,95-1,20
P7	Silencioso 55° - Adecuado para hacer funcionar el aparato de noche. Garantiza una limpieza y un secado óptimos con las más bajas emisiones de ruido.	✓	✓	+ ↻	3:50-4:10	10,5-14,5	0,80-1,15
P8	Desinfección 65° - Vajilla con suciedad normal o muy sucia, con acción antibacteriana suplementaria. Puede utilizarse para realizar el mantenimiento del lavavajillas.	✓	-	POWER CLEAN 1/2 + ↻	1:55-2:10	12-19	1,40-1,80
P9	Prelavado - Se utiliza para remojar la vajilla que planea lavar más tarde. Con este programa no se debe utilizar detergente.	-	✓	1/2 ↻	0:12	4,5	0,10
P10	Autolimpieza 65° - Programa para realizar el mantenimiento del lavavajillas. Solo debe llevarse a cabo cuando el lavavajillas esté VACÍO usando detergentes específicos diseñados para el mantenimiento de lavavajillas.	-	-	↻	1:15	11,0	1,10

Los datos del programa ECO se miden bajo condiciones de laboratorio de conformidad con la Norma europea EN 60436:2020.

Nota para los laboratorios de pruebas: para obtener información detallada sobre las condiciones de la prueba comparativa EN, escribir a la siguiente dirección: dw_test_support@whirlpool.com

No es necesario ningún tratamiento previo de la vajilla antes de ninguno de los programas.

*) No todas las opciones se pueden utilizar simultáneamente.

**) Los valores indicados para los programas distintos al programa Eco son indicativos. El tiempo real puede variar dependiendo de muchos factores como la temperatura y la presión del agua de entrada, la temperatura ambiente, la cantidad de detergente, la cantidad y el tipo de carga, la colocación de la carga, las opciones adicionales seleccionadas y la calibración del sensor. La calibración del sensor puede incrementar la duración del programa hasta 20 min.

OPCIONES Y FUNCIONES

Las **OPCIONES** pueden seleccionarse/deseleccionarse, después de elegir el programa, directamente pulsando el botón correspondiente (si está disponible - el indicador se enciende) (ver PANEL DE CONTROL). Si una opción no es compatible con el programa seleccionado (ver TABLA DE PROGRAMAS), el led correspondiente parpadea rápidamente 3 veces y suenan unos pitidos. La opción no se habilitará. Una opción puede cambiar el tiempo o el consumo de agua o energía para el programa.

POWER CLEAN® - Gracias a los chorros suplementarios, esta opción proporciona una limpieza más intensa y enérgica en el cesto inferior, en el área específica. Esta opción se recomienda para lavar ollas y cacerolas. (consulte la sección de carga de Power Clean®).

MEDIA CARGA - Si no hay muchos platos que lavar, se utiliza la función MEDIA CARGA para ahorrar agua, electricidad o tiempo dependiendo del programa seleccionado. **Recuerde reducir la cantidad de detergente.**

SECADO EXTRA - La temperatura más alta durante el aclarado final y la fase de secado prolongada permiten un mejor secado. La opción SECADO EXTRA alarga el ciclo de lavado.

APLAZAMIENTO - El inicio del programa se puede retrasar un periodo de tiempo de entre **0:30 y 24** horas.

1. Seleccione el programa y cualquier opción deseada. Pulse el botón APLAZAMIENTO repetidamente para retrasar el inicio del programa. Puede ajustarse de 0:30 a 24 horas. Una vez alcanzado el ajuste de 24 horas, pulse la tecla APLAZAMIENTO otra vez para desactivar la función APLAZAMIENTO.
2. Pulse el botón INICIO/Pausa y cierre la puerta en un plazo de 4 seg.
3. Cuando ha transcurrido este tiempo, el indicador luminoso se apaga y el programa empieza automáticamente.

La función de APLAZAMIENTO no se puede seleccionar una vez iniciado un programa.

PROGRAMA FAVORITO - El programa favorito puede ser guardado y será fácilmente accesible. Busque el programa utilizando ANTERIOR/SIGUIENTE, y luego pulse el botón de PROGRAMA FAVORITO durante 3 segundos.

LUZ EN EL SUELO - Una luz LED se proyecta en el suelo para indicar que el lavavajillas está en funcionamiento. La luz se apaga al final del ciclo. Esta función está activada por defecto, pero puede desactivarla en el «AJUSTES MENÚ».

NaturalDry - Es un sistema de secado por convección que abre la puerta automáticamente durante/después de la fase de secado para garantizar un rendimiento excepcional y regular del secado. La puerta se abre a una temperatura segura para los muebles de cocina. Como protección adicional contra el vapor, se incluye una lámina protectora especial en el lavavajillas. Para ver cómo montar la lámina protectora, consulte la GUÍA DE INSTALACIÓN. Esta función está activada por defecto, pero puede desactivarla en el «AJUSTES MENU».

DESCALCIFICACIÓN - Alarma - Se ha detectado acumulación de cal en los componentes internos del aparato. Compruebe si el ajuste de la dureza del agua está en el valor correcto y **hay sal en el contenedor de sal** (consulte PRIMER USO). **A continuación, utilice un producto descalcificador** (se recomienda la marca WPro) con el **programa de Autolimpieza**. Después de una descalcificación exitosa, el icono dejará de mostrarse. Si no se realizan las medidas anteriores, el rendimiento del producto se deteriorará.

La advertencia DESCALCIFICACIÓN comenzará a parpadear y la alarma «DES» aparecerá en la pantalla. Si aun así no se toma ninguna medida, el aparato sólo permitirá que se inicie un determinado número de ciclos (indicado durante la visualización de la alarma «DES») y luego se **BLOQUEARÁ** para evitar que se dañen los componentes, **estando solo disponible el programa de Autolimpieza**. Realizar una descalcificación completa desbloqueará el producto. En caso de cantidades extremadamente altas de cal, puede ser necesario realizar la descalcificación dos veces para que sea eficaz.

DETECCIÓN - Cuando el sensor está detectando el nivel de suciedad, aparece una animación en la pantalla (alrededor de 20 min) y se actualiza la duración del ciclo. La detección del nivel de suciedad de la vajilla está presente en todos los ciclos (excepto Eco), ajustando el programa en consecuencia.

GRIFO CERRADO - Alarma - Parpadea cuando no hay entrada de agua o cuando el grifo está cerrado.

LLENADO DEL LAVAVAJILLAS

CAPACIDAD: 15 ajustes de servicios estándar

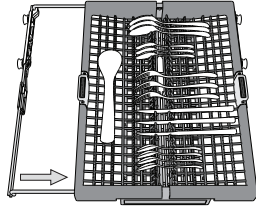
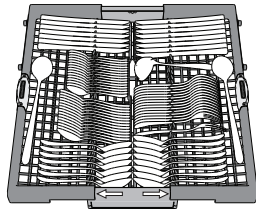
BANDEJA PARA CUBIERTOS

La tercera bandeja está diseñada para alojar los cubiertos. Coloque los cubiertos tal como se muestra en la figura.

La colocación por separado de los cubiertos hace que sean más fáciles de recoger después del lavado y mejora el rendimiento del lavado y el secado.

Los cuchillos y otros utensilios con bordes afilados deben colocarse con las hojas hacia abajo.

El canastillo para cuchillería está equipado con dos bandejas laterales deslizantes para aprovechar al máximo la altura del espacio inferior y permitir la carga de los artículos altos en la bandeja superior.

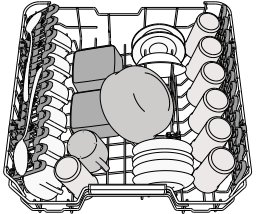


CESTO SUPERIOR

Cargue la vajilla delicada y ligera: vasos, tazas, platos, ensaladeras bajas.

La bandeja superior tiene unos soportes desplegables que se pueden utilizar en posición vertical cuando se coloquen platos de te/postres o en una posición más baja para cargar cuencos y recipientes.

(ejemplo de carga para la bandeja superior)



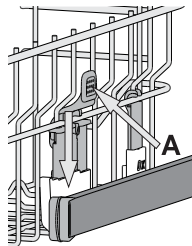
Ajuste de la altura de la bandeja superior

La altura de la bandeja superior se puede ajustar: posición alta para colocar vajilla voluminosa en el cesto inferior y posición baja para aprovechar al máximo los soportes desplegables creando más espacio hacia arriba y evitando que colisionen con los artículos cargados en la bandeja inferior.

La bandeja superior está equipada con un **Ajustador de altura de la bandeja superior** (véase la figura). Sin presionar las palancas, levántelo simplemente sujetando los laterales de la bandeja, hasta que la bandeja esté estable en su posición superior.

Para volver a la posición más baja, pulse las palancas **A** de los laterales de la bandeja y mueva el cesto hacia abajo.

Le recomendamos encarecidamente que no ajuste la altura de la bandeja cuando esté cargada. NUNCA suba o baje el cesto solo de un lado.

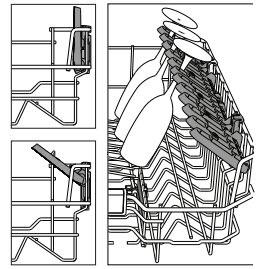


Sujeciones plegables con posición ajustable

Las sujeciones plegables laterales se pueden plegar o desplegar para optimizar la disposición de la vajilla en el cesto. Las copas de vino quedan bien aseguradas en las sujeciones plegables insertando el tallo de cada copa en las ranuras correspondientes.

Dependiendo del modelo:

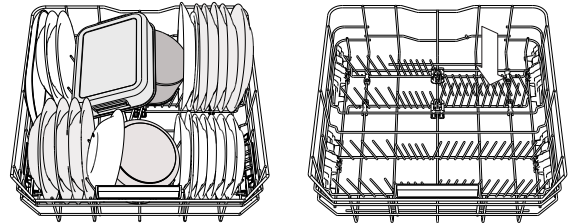
- para desplegar las sujeciones, deslícelas hacia arriba y gírelas o suéltelas de los cierres y tire de ellas hacia abajo.
- para plegar las sujeciones, gírelas y deslícelas hacia abajo o tire de ellas hacia arriba y fíjelas en los cierres.



CESTO INFERIOR

Para ollas, tapas, platos, ensaladeras, cubertería, etc. Se recomienda colocar las bandejas y tapas grandes en los laterales para evitar interferencias con el brazo aspersor.

La bandeja inferior tiene unos soportes desplegables que se pueden utilizar en posición vertical cuando se coloquen platos o en posición horizontal (más baja) para cargar cacerolas y ensaladeras fácilmente.



(ejemplo de carga para la bandeja inferior)

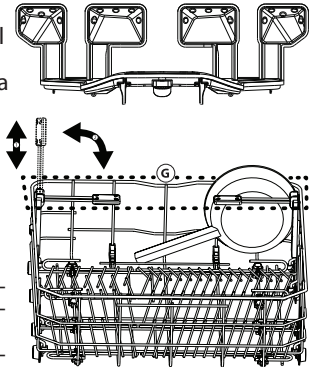
POWER CLEAN®

PowerClean® utiliza los chorros de agua especiales de la parte posterior del interior del lavavajillas para limpiar mejor los utensilios muy sucios. La bandeja inferior tiene una Zona espaciosa, un soporte extensible especial que se puede utilizar para mantener sartenes o moldes en posición vertical, para que ocupen menos espacio.

Hay que colocar las ollas cacerolas mirando el componente Power Clean® y activar **POWER CLEAN®** en el panel.

Cómo utilizar PowerClean®:

1. Ajuste el área de PowerClean® (**G**) plegando los soportes para platos en la parte posterior para cargar las ollas.
2. Cargue las ollas y cazuelas inclinadas verticalmente en el área de PowerClean®. Las ollas deben estar inclinadas hacia los chorros a presión.



CUIDADOS Y MANTENIMIENTO

LIMPIEZA DEL CONJUNTO DE FILTRADO

Limpie regularmente el conjunto de filtrado para que los filtros no se obturen y para que el agua residual salga libremente.

El uso del lavavajillas con los filtros obstruidos o con objetos extraños en el sistema de filtrado o en los aspersores puede provocar fallos de funcionamiento que pueden derivar en una pérdida del rendimiento, un aumento del ruido o un mayor consumo de recursos.

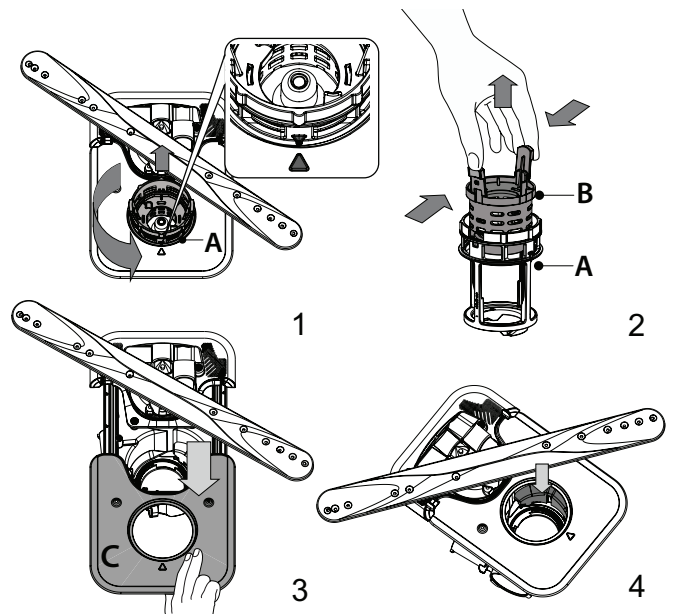
El conjunto de filtrado está formado por tres filtros que eliminan los restos de comida del agua de lavado y que hacen recircular el agua.

El lavavajillas no se debe usar sin filtros o si el filtro está suelto.

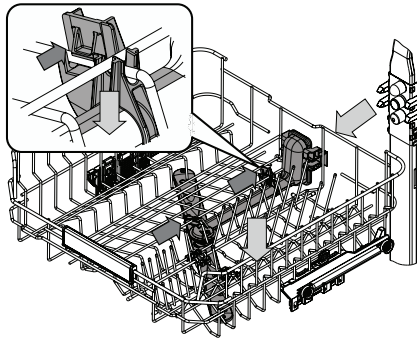
Al menos una vez al mes o cada 30 ciclos, revise el conjunto de filtrado y, si es necesario, límpielo a fondo con agua corriente, utilizando un cepillo no metálico y siguiendo estas instrucciones:

1. Gire el filtro cilíndrico **A** hacia la izquierda y extráigalo (Fig 1). **Es importante al reinstalar el filtro que los dos triángulos que se muestran en el zoom se encuentren.**
2. Extraiga el filtro en forma de saco **B** ejerciendo una ligera presión en las sujeciones laterales (Fig 2).
3. Extraiga el filtro de placa de acero inoxidable **C** (Fig 3).
4. Si encuentra objetos extraños (como cristales rotos, porcelana, huesos, semillas, etc.) **retírelos con cuidado.**
5. Inspeccione la trampilla y retire cualquier resto de comida. **NO RETIRE NUNCA** la protección de la bomba del ciclo de lavado (se muestra mediante una flecha) (Fig 4).

Una vez limpiados los filtros, recolóque el conjunto de filtrado y encájelo correctamente en su sitio; esto es esencial para garantizar el funcionamiento eficiente del lavavajillas

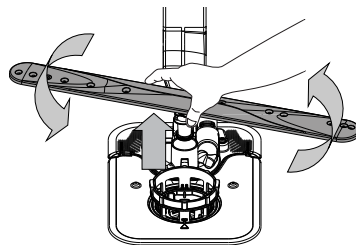


LIMPIEZA DE LOS BRAZOS ASPERSORES

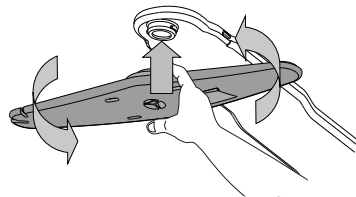


A veces, los residuos de comida se pueden incrustar en los brazos aspersores y bloquear los orificios por donde sale el agua. Por lo tanto, se recomienda revisar los brazos de vez en cuando y limpiarlos con un pequeño cepillo no metálico.

Pour supprimer le pulvérisateur supérieur, vous devez l'enlever avec le collecteur.



El brazo aspersor inferior se puede desmontar ejerciendo presión hacia arriba y girándolo a la izquierda. El montaje del brazo aspersor se realiza tirando de él hacia abajo y girándolo a la derecha.



El brazo aspersor superior se puede desmontar presionándolo hacia arriba y girándolo a la izquierda. El montaje del brazo aspersor se realiza tirando de él hacia arriba y girándolo a la derecha.

RESOLUCIÓN DE PROBLEMAS

Si su lavavajillas no funciona correctamente, compruebe si el problema se puede resolver revisando la siguiente lista. En caso de errores o problemas, póngase en contacto con nuestro Servicio Postventa, cuyos detalles de contacto puede encontrar en el folleto de la garantía. Las piezas de repuesto estarán disponibles por un período de hasta 7 o hasta 10 años, de acuerdo con los requisitos específicos del Reglamento.

PROBLEMAS	CAUSAS POSIBLES	SOLUCIONES
Se ha encendido el indicador de sal	El depósito de sal está casi vacío.	Llene el depósito con sal (para obtener más información, consulte <i>LLENADO DEL DEPÓSITO DE SAL</i>). Compruebe el ajuste de la dureza del agua si es necesario - consulte <i>CONFIGURACIÓN DE LA DUREZA DEL AGUA</i> .
El indicador de sal está parpadeando	El depósito de sal está vacío.	Rellene el depósito con sal lo antes posible. El uso del aparato sin sal puede provocar daños en sus componentes internos.
El indicador de abrillantador está encendido o parpadeando	El dosificador de abrillantador está vacío. (Una vez rellenado el indicador del abrillantador puede permanecer encendido por un corto tiempo).	Llene el dosificador con abrillantador (para obtener más información, consulte <i>LLENADO DEL DISPENSADOR DEL ABRILLANTADOR</i>).
El indicador de descalcificación está encendido o parpadeando; aparece la alarma «dES».	La cal se acumula en los componentes internos del aparato.	Descalcifique el aparato inmediatamente utilizando el programa de Autolimpieza y un producto descalcificador disponible en el mercado (consulte <i>OPCIONES Y FUNCIONES</i>). Llene el depósito con sal. Compruebe el ajuste de la dureza del agua. Si el aparato no se descalcifica, dejará de funcionar.
El lavavajillas no se pone en marcha o no responde a las órdenes.	El aparato no está bien enchufado.	Introduzca el enchufe en la toma.
	Apagón.	Por razones de seguridad, el lavavajillas no se reiniciará automáticamente cuando se restablezca la alimentación eléctrica. Abra la puerta del lavavajillas, pulse el botón INICIO/Pausa y cierre la puerta en un plazo de 4 segundos.
	La puerta del lavavajillas no está bien cerrada. La clavija de NaturalDry no está introducida.	Empuje fuerte la puerta hasta que oiga el «clic».
	Un ciclo se interrumpe por la apertura de la puerta durante más de 4 segundos.	Pulse el botón INICIO/Pausa y cierre la puerta dentro de 4 segundos.
El lavavajillas no se vacía. La pantalla muestra: F7 E3 o F9 E1	El filtro está obstruido con restos de comida o cal.	Limpie el filtro y descalcifique el aparato (consulte <i>LIMPIEZA DEL CONJUNTO DE FILTRADO Y INSTRUCCIONES DE DESCALCIFICACIÓN</i>).
	El tubo de desagüe está doblado.	Compruebe el tubo de desagüe (consulte <i>INSTRUCCIONES DE INSTALACIÓN</i>).
	El tubo de desagüe del fregadero está bloqueado.	Limpie el tubo de desagüe del fregadero.
El lavavajillas hace demasiado ruido.	Los artículos chocan entre ellos.	Coloque la vajilla correctamente (consulte <i>LLENADO DEL LAVAVAJILLAS</i>).
	Hay una cantidad excesiva de espuma.	El detergente no se ha dosificado correctamente o no es adecuado para lavavajillas (consulte <i>LLENADO DEL DISPENSADOR DE DETERGENTE</i>). Restablezca el ciclo en curso apagando el lavavajillas, vuélvalo a encender, seleccione un nuevo programa, pulse INICIO/PAUSA y cierre la puerta en un plazo de 4 segundos. No añada detergente.
	La vajilla no está bien colocada.	Coloque la vajilla correctamente (consulte <i>LLENADO DEL LAVAVAJILLAS</i>).
La vajilla no está limpia.	El filtro está obstruido con restos de comida o cal.	Limpie el cuerpo de filtrado (consulte <i>CUIDADOS Y MANTENIMIENTO</i>).
	La vajilla no está bien colocada.	Coloque la vajilla correctamente (consulte <i>LLENADO DEL LAVAVAJILLAS</i>).
	Los brazos aspersores no pueden girar libremente, obstaculizados por la vajilla.	Coloque la vajilla correctamente (consulte <i>LLENADO DEL LAVAVAJILLAS</i>). Compruebe que la rejilla superior está en la posición correcta y ajústela (levántela) si es necesario.
	El ciclo de lavado es demasiado suave.	Seleccione un ciclo de lavado adecuado (consulte la <i>TABLA DE PROGRAMAS</i>).
	Hay una cantidad excesiva de espuma.	El detergente no se ha dosificado correctamente o no es adecuado para lavavajillas (consulte <i>RELLENAR EL DISPENSADOR DE DETERGENTE</i>).
	El tapón del compartimento del abrillantador no se ha cerrado correctamente.	Compruebe que el tapón del dispensador de abrillantador esté cerrado.
El filtro está obstruido con restos de comida o cal.	Limpie el filtro y descalcifique el aparato (consulte <i>LIMPIEZA DEL CONJUNTO DE FILTRADO</i>).	
El depósito de sal está vacío.	Llene el depósito de sal (consulte <i>LLENADO DEL DEPÓSITO DE SAL</i>).	

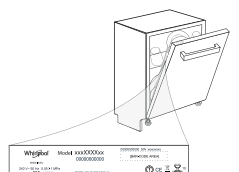
PROBLEMAS	CAUSAS POSIBLES	SOLUCIONES
El lavavajillas no se llena de agua. La pantalla muestra: H₂O y Ø está encendida; hay un sonido de alarma acústica.	No hay entrada de agua o el grifo está cerrado.	Compruebe que haya suministro de agua y que el grifo esté abierto.
	La manguera de entrada de agua está doblada.	Compruebe la manguera de agua (<i>consulte INSTALACIÓN</i>). Abra la puerta del lavavajillas, pulse el botón START/Pause (INICIO/Pausa) y cierre la puerta en un plazo de 4 segundos.
	El tamiz de la manguera de entrada está obturado; hay que limpiarlo.	Compruebe y limpie el tamiz de la manguera de entrada de agua. Abra la puerta del lavavajillas, pulse el botón INICIO/Pausa y cierre la puerta en un plazo de 4 segundos.
El lavavajillas finaliza el ciclo de forma prematura. La pantalla muestra: F8 E3	El filtro está obstruido con restos de comida o cal.	Limpie el filtro y descalcifique el aparato (<i>consulte LIMPIEZA DEL CONJUNTO DE FILTRADO y INSTRUCCIONES DE DESCALCIFICACIÓN</i>).
	El tubo de desagüe está demasiado bajo o bloquea el sistema de desagüe de la casa.	Compruebe si el extremo del tubo de desagüe está colocado a la altura correcta (<i>consulte INSTALACIÓN</i>). Compruebe si está obstruyendo el sistema de desagüe de la casa e instale un disyuntor de sifones/válvula de entrada de aire si es necesario.
	Hay una cantidad excesiva de espuma.	El detergente no se ha dosificado correctamente o no es adecuado para lavavajillas (<i>consulte RELLENAR EL DISPENSADOR DE DETERGENTE</i>).
	Aire en el suministro de agua.	Compruebe que el suministro de agua no tenga fugas o defectos que dejen entrar aire.
Los platos no se secan bien.	No hay abrillantador o la dosis es demasiado baja.	Asegúrese de que el dispensador de abrillantador esté lleno (<i>consulte LLENADO DEL DISPENSADOR DEL ABRILLANTADOR</i>). Las pastillas multifuncionales no proporcionan un efecto de secado tan bueno como el uso real del abrillantador líquido.
	La vajilla se ha descargado después de la apertura automática de la puerta, pero antes del final del ciclo real.	Asegúrese de que el ciclo ha terminado antes de empezar a descargar la vajilla (<i>consulte USO DIARIO</i>). Para un mejor secado, se recomienda dejar la vajilla dentro del lavavajillas con la puerta abierta durante 15 minutos más una vez finalizado el ciclo.
	La vajilla está demasiado plana.	Si observa charcos de agua en el interior de las cavidades de las tazas, tazones o cuencos, intente cargar la vajilla (especialmente en el estante superior) proporcionando más inclinación para que gotee una mayor cantidad de agua antes de que comience el secado.
	El ciclo seleccionado no tiene la fase de secado.	Compruebe en la <i>TABLA DE PROGRAMAS</i> si el programa seleccionado cuenta con fase de secado. El ciclo sin la fase de secado puede no ofrecer la eficiencia de secado deseada, por lo que se recomienda cambiar la selección del ciclo por el que tiene la fase de secado.
Los platos y vasos tienen vetas azules o tintes azulados.	La dosis de abrillantador es excesiva.	Ajuste la dosificación a una posición más baja.
Los platos y vasos están cubiertos de cal o de una película blanquecina.	El depósito de sal está vacío.	Rellene el depósito con sal lo antes posible. El uso del aparato sin sal puede provocar daños en sus componentes internos.
	El ajuste de la dureza del agua es demasiado bajo.	Incremente el ajuste (<i>consulte TABLA DE DUREZA DEL AGUA</i>).
	El tapón del depósito de sal no está bien cerrado.	Compruebe y cierre el tapón del depósito de sal.
El lavavajillas muestra F8 E5	El depósito de abrillantador está vacío o la dosis de abrillantador es insuficiente.	Llene el dosificador con abrillantador y compruebe el ajuste de la dosis (para obtener más información, <i>consulte LLENADO DEL DISPENSADOR DEL ABRILLANTADOR</i>).
	La válvula está bloqueada o defectuosa.	Cierre la válvula de agua, si es posible. No desconecte la alimentación. Llame al servicio técnico.



Puede consultar los reglamentos, la documentación estándar, así como pedir piezas de repuesto, mediante alguna de las siguientes formas:

- Usando el código QR y visitando nuestra página web docs.whirlpool.eu
- Visitando nuestra página web parts-selfservice.whirlpool.com
- También puede, **ponerse en contacto con nuestro Servicio postventa** (Consulte el número de teléfono en el folleto de la garantía). Cuando se ponga en contacto con nuestro Servicio Postventa, deberá indicar los códigos que figuran en la placa de características de su producto.

La información del modelo puede consultarse a través del código QR de la etiqueta energética. La etiqueta también contiene el identificador del modelo que puede usarse para consultar el portal del registro en <https://eprel.ec.europa.eu>





KIITOS SIITÄ, ETTÄ OSTIT WHIRLPOOL-TUOTTEEN.
Jotta voit saada parempaa palvelua, rekisteröi laitteesi osoitteessa: www.whirlpool.eu/register

Lue turva- ja asennusohjeet huolellisesti läpi ennen laitteen käyttöä. Lisätietoja tuotteestasi on luettavissa sivustolta: docs.whirlpool.eu

⚠ Muista poistaa kaikki kuljetusta varten tarkoitetut suojaosat astianpesukoneesta asennuksen jälkeen.

KÄYTTÖPANEELI

- PÄÄLLÄ/ POIS/NOLLAUS**-painike ja sen merkkivalo
- EDELLINEN-ohjelman** painike
- SEURAAVA-ohjelman** painike
- SUOSIKKIOHJELMAN** painike ja sen merkkivalo
- Tyhjä Suolasäiliö** -merkkivalo
- Tyhjä Huuhtelukirkastesäiliö** -merkkivalo
- KALKINPOISTO**-merkkivalo
- Vesihana Kiinni** merkkivalo
- Näyttö**
- Ohjelman numero ja jäljellä olevan ajan merkkivalo**
- Power Clean® - valinnan** painike ja sen merkkivalo



- Puolitäyttö - valinnan** painike ja sen merkkivalo / **Asetukset** - 3 sekunnin painaminen
- Erittäin Kuiva -valinnan** painike ja sen merkkivalo
- Ajastus-valinnan** painike ja sen merkkivalo
- KÄYNNISTYS/TAUKO**-painike ja sen merkkivalo

ENSIMMÄINEN KÄYTTÖKERTA

VALIKON ASETTAMINEN

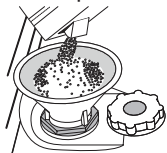
- Laita laite päälle painamalla **PÄÄLLÄ/POIS** -painiketta.
- Pidä **Asetukset** -painiketta (Puolitäyttö) painettuna 3 sekunnin ajan, kunnes kuulet äänimerkin ja näytöllä näkyy „**SET**”.
- Yhden sekunnin kuluttua näkyy ensimmäinen käyttökelpoinen asetus (kirjain „h”).
- Selaa käytettävissä olevia asetuksia (katso alla oleva taulukko) painamalla **EDELLINEN/SEURAAVA**-painiketta; painamalla sitten **KÄYNNISTYS/TAUKO** -painiketta voit katsoa parhaillaan valittuna olevan asetuksen arvon sekä muuttaa sitä.
- Arvoa muutetaan painamalla **EDELLINEN/SEURAAVA** -painiketta; uusi arvo tallennetaan ja päävalikkoon palataan painamalla **KÄYNNISTYS/TAUKO** -painiketta.
- Jos haluat muuttaa jotakin toista asetusta, toista kohdat 4 ja 5.
- Valikosta poistutaan painamalla **PÄÄLLÄ/POIS** -painiketta tai odottamalla 30 sekuntia.

KIRJAIN	ASETUS	ARVOT (Oletus - lihavoituna)
H	Veden kovuustaso (ks. "VEDEN KOVUUDEN ASETTAMINEN" ja "VEDEN KOVUUSTAULUKKO")	1 2 3 4 5
F	Huuhtelukirkasteen taso (ks. "HUUHTELUKIRKASTEEN ANNOSTELUN SÄÄTÄMINEN")	0 1 2 3 4 5
D	NaturalDry (ks. "LISÄVALINNAT JA TOIMINNOT") "1" = päällä, "0" = pois	1 0
L	Lattialle heijastuva valor (ks. "LISÄVALINNAT JA TOIMINNOT") "1" = päällä, "0" = pois	1 0
S	Ääni "1" = päällä, "0" = pois	1 0
I	Tehdasasetukset Jos haluat palauttaa kaikki asetusvalikon asetusten arvot tehdasasetuksiin, paina KÄYNNISTYS/TAUKO -painiketta.	-

SUOLASÄILIÖN TÄYTTÄMINEN

Suolan käyttäminen estää KALKKEUTUMIEN syntymistä astioihin ja koneen toiminnan kannalta oleellisiin osiin. Suolasäiliö sijaitsee astianpesukoneen alaosassa (alakorin alla vasemmalla puolella).

- SUOLASÄILIÖ ei saa KOSKAAN OLLA TYHJÄ.**
- Veden kovuuden asettaminen on tärkeä seikka.
- Suolaa tulee lisätä kun **SUOLAN TÄYTTÖ - merkkivalo** näyttöpaneelissa palaa.



- Poista alakori ja kierrä auki säiliön korkki (vastapäivään).
- Laita suppilo (ks. kuva) paikalleen ja täytä suolasäiliö reunaan asti (noin 0,5 kg); vähäisen vesimäärän valuminen ulos ei ole epätavallista.
- Tee näin vain ensimmäisellä kerralla: täytä suolasäiliö vedellä.**

4. Ota suppilo pois ja pyyhi aukolta kaikki suolajäänteet. Varmista, että korkki on kierretty kiinni kunnolla, jotta säiliöön ei pääse pesuainetta pesuohjelman aikana (tämä seikka saattaisi vahingoittaa vedenpehmentintä korjaamattomalla tavalla).

Käynnistä aina jokin ohjelma heti kun olet täyttänyt suolasäiliön; näin estät korroosiota.

Veden kovuuden asettaminen

Jotta vedenpehmentin pystyy toimimaan asianmukaisesti, on asetetun veden kovuuden vastattava asunnon veden todellista kovuutta. Tämä asia selviää paikalliselta vesilaitokselta. Tehdasasetus vastaa keskitasoista (3) veden kovuutta. Ks. „VEDEN KOVUUSTAULUKKO”.

Voit vaihtaa asetusta noudattamalla osion "VALIKON ASETTAMINEN" ohjeita.

Veden kovuustaulukko

Taso	°dH Saksalaiset asteet	°fH Ranskalaiset asteet	°Clark Englantilainen asteikko
1 (pehmeä)	0 - 6	0 - 10	0 - 7
2 (keskikova)	7 - 11	11 - 20	8 - 14
3 (puolikova)	12 - 16	21 - 29	15 - 20
4 (kova)	17 - 34	30 - 60	21 - 42
5 (hyvin kova)	35 - 50	61 - 90	43 - 62

Käytä ainoastaan erityisesti astianpesukoneille suunniteltua suolaa. Kun suola on kaadettu koneeseen, SUOLAN TÄYTTÖN merkkivalo sammuu. **Jos suolasäiliötä ei täytetä, saattaa seurauksena olla vedenpehmentimen ja lämmitysvastuksen vahingoittuminen kalkkikeräytymien vuoksi. Suolaa on käytettävä kaikenlaisen astianpesukoneille tarkoitettujen pesuaineiden kanssa.**

VEDENPEHMENNINJÄRJESTELMÄ

Vedenpehmentin laskee automaattisesti veden kovuutta, mikä puolestaan vähentää kalkkisaostumien kerääntymistä lämmittimeen; tämä helpottaa myös puhdistamista.

Tämä järjestelmä regeneroituu suolaa käyttäen, minkä vuoksi suolasäiliö on täytettävä sen tyhjentäessä.

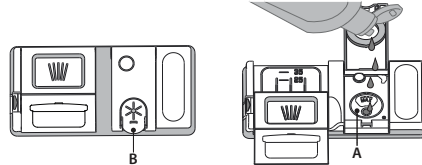
Regenerointitiheys riippuu veden kovuustason asetuksista - regenerointi tapahtuu kerran 4-6 säästö-jaksoa kohden, kun veden kovuustasoksi on asetettu 3.

Regenerointiprosessi suoritetaan jakson alussa ylimääräisellä puhtaalla vedellä.

- Yksittäisessä regeneroimisessa kuluu: ~3 litraa vettä
- Prosessiin kuluu noin 5 lisäminuuttia kyseisessä jaksossa;
- Prosessin energiankulutus on alle 0.005 kWh.

HUUHTELUKIRKASTESÄILIÖN TÄYTTÄMINEN

Huuhtelukirkaste helpottaa astioiden KUIVAAMISTA. Huuhtelukirkastesäiliö **A** on täytettävä kun **HUUHTELUKIRKASTEEN TÄYTTÖN merkkivalo** näyttöpaneelissa palaa.



- Avaa säiliö **B** painamalla ja vetämällä kannen nupista.
- Lisää huuhtelukirkastetta varovaisesti täyttötilan maksimimerkkiin (110 ml) asti - älä läikytä ainetta. Jos näin käy, pyyhi vuotanut aine välittömästi pois kuivalla liinalla.

3. Paina kantta alaspäin kunnes kuulet sulkemisesta ilmoittavan napsahduksen.

ÄLÄ koskaan kaada huuhtelukirkastetta suoraan pesutilaan.

Huuhtelukirkasteen annostelun säätäminen

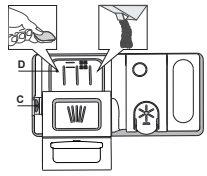
Jos et ole täysin tyytyväinen kuivaustulokseen, voit säätää käytetyn huuhtelukirkasteen määrää.

Voit vaihtaa asetusta noudattamalla osion "VALIKON ASETTAMINEN" ohjeita. Jos huuhtelukirkasteen tason arvoksi on asetettu NOLLA, huuhtelukirkastetta ei annostella. **ALHAISESTA HUUHTELUKIRKASTEMÄÄRÄSTÄ** ilmoittava merkkivalo ei syty, jos huuhtelukirkaste loppuu.

- Astianpesukoneen mallista riippuen käytettävissä on korkeintaan 6 eritasoa.
- Jos astioissa näkyy sinertäviä raitoja, aseta arvoksi matala numero (0-3).
- Jos astioissa on vesipisaroita tai kalkkijäämiä aseta arvoksi korkea numero (4-5).

PESUAINELOKERON TÄYTTÄMINEN

Pesuainesäiliö avataan avauslaitteesta C. Laita pesuainetta ainoastaan kuivaan säiliöön D. Laita esipesuun tarkoitettu pesuainemäärä suoraan pesutilan sisään.



1. Kun mittaat pesuainetta, katso sen oikea määrä aiemmin ilmoitetusta kohdasta. Lokeron D sisällä on pesuaineen annostelua helpottavat merkinnät.
2. Poista pesuainejäämät säiliön reunasta ennen kannen sulkemista ja sulje kansi; se napsahtaa kiinni.
3. Sulje pesuainesäiliön kansi vetämällä sitä ylöspäin, kunnes sulkuilite asettuu paikalleen.

PÄIVITTÄINEN KÄYTTÖ

1. TARKASTA VESILIITÄNTÄ

Tarkasta, että astianpesukone on kytketty vesijohtoverkkoon ja että hana on auki.

2. KYTKE ASTIANPESUKONE PÄÄLLE

Avaa luukku ja paina **PÄÄLLÄ/POIS**-painiketta.

3. TÄYTÄ TELINEET (ks. KORIEEN TÄYTTÄMINEN).

4. PESUAINELOKERON TÄYTTÄMINEN

5. VALITSE OHJELMA JA TEE JAKSON LISÄVALINNAT

Valitse sopivin ohjelma astiatyyppiin ja sen likaisuusasteen mukaan (ks. OHJELMIEN KUVAUS) painamalla **EDELLINEN/SEURAAVA**-painikkeita. Tee halutut lisävalinnat (ks. LISÄVALINNAT JA TOIMINNOT). Kaikki lisävalinnat eivät sovi yhteen kaikkien ohjelmien kanssa.

6. KÄYNNISTÄ

Käynnistä pesujakso painamalla **KÄYNNISTYS/TAUKO**-painiketta (led syttyy) ja sulkemalla luukun 4 sekunnin sisällä. Kun ohjelma käynnistyy, kuuluu yksittäinen äänimerkki. Jos luukku ei suljettu 4 sekunnin sisällä, kuuluu hälytysääni. Avaa tässä tapauksessa luukku, paina **KÄYNNISTYS/TAUKO**-painiketta ja sulje luukku uudelleen 4 sekunnin sisällä.

7. PESUJAKSON PÄÄTTYMINEN

Pesujakson päättymisestä ilmoittaa äänimerkki ja näytöllä lukee **END** (LOPPU). Avaa luukku ja sammuta laite painamalla **PÄÄLLÄ/POIS**-painiketta.

Odotu muutama minuutti ennen kuin otat astiat pois; näin välttyt palovammoilta. Tyhjennä korit; aloita alakorista.

Pesuainelokero avautuu automaattisesti oikeaan aikaan ohjelman mukaisesti. Jos käytetään all-in-one-pesuainetta, on suositeltavaa käyttää.

Muiden kuin astianpesukoneille tarkoitettujen pesuaineiden käyttäminen saattaa aiheuttaa laitteelle toimintahäiriöitä tai vahingoittaa sitä.

KÄYNNISSÄ OLEVAN OHJELMAN MUUTTAMINEN

Jos on valittu väärä ohjelma, sen voi vaihtaa, jos se on vielä alussa. **NOLLAA** kone: paina ja pidä painettuna **PÄÄLLÄ/POIS**-painiketta yli 3 sekunnin ajan, jolloin kone sammuu. Näytöllä näkyy "0:01". Sulje luukku ja odota kunnes tyhjennysjakso on päättynyt (noin 1 minuutti). Avaa luukku ja laita kone uudelleen päälle **PÄÄLLÄ/POIS**-painikkeesta (VIRTA) ja valitse uusi pesujakso sekä mahdolliset lisävalinnat. Käynnistä jakso painamalla **KÄYNNISTYS/TAUKO**-painiketta ja sulkemalla luukun 4 sekunnin sisällä.

ASTIOIDEN LISÄÄMINEN

Älä sammuta konetta, vaan avaa luukku aluksi varoen, jotta vettä ei purskahtaisi ulos (**KÄYNNISTYS/TAUKO**-led alkaa vilkkua (**Varo! Kuumaa höyryä!**) ja laita astiat astianpesukoneeseen. Paina **KÄYNNISTYS/TAUKO**-painiketta ja sulje luukku 4 sekunnin sisällä; jakso jatkuu siitä, mihin se keskeytettiin.

VAHINGOSSA TAPAHTUVAT KESKEYTYKSET

Jos luukku avataan pesujakson aikana, tai sähkö katkeaa, jakso pysähtyy. **VAIN JOS PAINAT KÄYNNISTYS/TAUKO**-painiketta ja suljet luukun 4 sekunnin sisällä, jakso jatkuu siitä, mihin se keskeytettiin.

NEUVOJA JA VIHJEITÄ

NEUVOJA

Ennen korien täyttämistä poista astioista kaikki ruoantähteet ja tyhjennä lasit. **Huuhteleminen etukäteen juoksevilla vedellä ei ole tarpeen.**

Asettele astiat siten, että ne pysyvät tukevasti paikallaan eivätkä pääse katumaan; aseta kaikki säiliöastiat ylösalaisin, aukinainen sivu alaspäin, ja koverat/kuperat pinnat vinoon siten, että vesi pääsee kaikille pinnoille sekä virtaamaan vapaasti.

Varoitus: kannet, kahvat, pellit ja paistinpannut eivät saa estää suihkuvarsia pyörimästä.

Aseta kaikki pienet esineet ruokailuvälinekoriin.

Erittäin likaiset astiat ja pannut olisi sijoitettava alakoriin, sillä alhaalla vesisuihku tulee voimakkaampana ja parantaa siten pesutulosta.

Varmista laitteen täyttämisen jälkeen, että suihkuvarret pääsevät pyörimään vapaasti.

SOPIMATTOMAT ASTIAT

- Puiset astiat ja ruokailuvälineet.
 - Arat, koristellut lasit, taidelasi ja antiikkiastiat. Näiden koristelut eivät kestä konepesua.
 - Synteettisistä materiaaleista valmistetut osat, jotka eivät kestä korkeita lämpötiloja.
 - Kupari- ja tina-astiat.
 - Tuhkaan, vahaan, voitelurasvaan tai musteeseen likaantuneet astiat.
- Lasiin tehtyjen koristelujen värit sekä alumiiniset/hopeiset esineet saattavat haalistua tai muuttaa sävyjään pesuprosessin aikana. Eräät lasityypit (esim. kristalliesineet) saattavat myöskin muuttua himmeiksi useiden pesujaksojen pesujaksojen seurauksena.

LASIEEN JA ASTIOIDEN VAHINGOITTUMINEN

- Pese koneessa ainoastaan lasi- ja posliiniesineitä, joiden valmistaja takaa kestävän konepesua.
- Käytä astioille sopivaa hellävaraista pesuainetta, jotta lasihin ei tule valkoisia raitoja.
- Ota lasit ja ruokailuvälineet pois astianpesukoneesta heti kun pesujakso on loppunut.

ENERGIANSÄÄSTÖVINKKEJÄ

- Kun kodin astianpesukonetta käytetään valmistajan ohjeiden mukaisesti, **astioiden pesemiseen astianpesukoneessa kuluu yleensä VÄHEMÄN ENERGIAA ja vettä kuin astioiden pesemiseen käsin.**
 - Astianpesukoneen tehokkuuden maksimoimiseksi **on suositeltavaa käynnistää pesujakso kun astianpesukone on saatu täyteen.** Astianpesukoneen täyttäminen valmistajan ilmoittamaan täyttömäärään auttaa säästämään energiaa ja vettä. Tietoja astianpesukoneen asianmukaisesta täyttämisestä on annettu TELINEIDEN TÄYTTÄMINEN -luvussa.
- Jos konetta ei täytetä kokonaan, on suositeltavaa käyttää koneessa mahdollisesti olevia tähän tilanteeseen tarkoitettuja ohjelmia, (puolitäyttö/ Zone Wash/ Multizone), täyttämällä ainoastaan valitut telineet. Jos astianpesukone täytetään väärin tai liian täyteen, seurauksena saattaa olla resurssien kulutuksen (esim. veden, energian ja ajan, sekä melutason) kasvaminen, sekä puhdistus- ja kuivaustulosten heikkeneminen.
- Astioiden esihuuhtelu käsin lisää veden ja energian kulutusta eikä ole suositeltavaa.

DESINFIOINTI

Hajujuuri ja astianpesukoneen pesutilan pohjalle laskeutuvien kerääntymien estämiseksi **on vähintään kerran kuussa käytettävä kuuman lämpötilan ohjelmaa.** Käytä laitteen puhdistamiseen tässä yhteydessä teelusikallinen pesuainetta, ja anna sen käydä tyhjänä.

PAKKASENKESTÄVYYS

Jos laite sijoitetaan tilaan, jossa lämpötila voi laskea pakkasen puolelle, **vesi on tyhjennettävä kokonaan.** Sulje vesihana, irrota vedenotto- ja tyhjennysletkut ja anna veden valua pois. **Varmista, että vedenpehmentin on täynnä liuennutta regenerointisuolaa suolasäiliössä,** sillä se suojaa laitetta -20 °C:een asti. Jos laitetta on säilytetty pakkasolosuhteissa, sen tulee saada olla vähintään 5 °C:ssa **vähintään 24 tunnin** ajan ennen sen ensimmäistä käyttökertaa.

OHJELMATAULUKKO

Ohjelma	Ohjelmien Kuvaus	Kuivausvaihe	NaturalDry	Mahdolliset lisävalinnat *)	Pesujakson kesto (h:min)**)	Veden kulutus (l/jakso)	Energiankulutus (kWh/jakso)
P1 Eco	Säästö 50° - Säästö-ohjelma soveltuu normaalisti likaisille ruokapöydässä käytetyille astioille. Se on sekä energian että veden käytön kannalta tehokkain ohjelma. Tätä ohjelmaa käytetään EU:n ekosuunnittelun vaatimustenmukaisuuden arviointiin.	✓	✓	POWER CLEAN ½ + ⌚	3:30	9,5	0,76
P2	Auto-Tehopesu 65° - Automaattinen ohjelma erittäin likaisille astioille ja pannuille.	✓	✓	POWER CLEAN ½ + ⌚	2:25-3:10	15,5-24,5	1,30-1,70
P3	Auto-Sekaohjelma 55° - Automaattinen ohjelma normaalisti likaisille astioille, joissa on kuivuneita ruokajätteitä.	✓	✓	POWER CLEAN ½ + ⌚	1:20-3:00	7,5-19,5	0,75-1,20
P4	Auto-Pikaohjelma 50° - Automaattinen ohjelma normaalisti ja vain vähän likaisille astioille. Jokapäiväinen pesuohjelma, joka takaa parhaat mahdolliset pesu- ja kuivaustulokset lyhyemmässä ajassa.	✓	✓	POWER CLEAN ½ + ⌚	1:00-1:50	7,5-15,5	0,70-1,10
P5	Pika 45° - Ohjelmaa suositellaan pienelle määrälle vain vähän likaisia astioita, joissa ei ole kuivuneita ruokajätteitä. Ohjelmaan ei kuulu kuivausvaihetta.	-	✓	½ + ⌚	0:30-0:40	10-12	0,55-0,65
P6	Kristalli 45° - Jakso on tarkoitettu aroille astioille, jotka ovat herkkiä korkeille lämpötiloille, kuten esimerkiksi lasit ja kupit.	✓	✓	½ + ⌚	1:40-1:50	12,5-16,5	0,95-1,20
P7	Hiljainen 55° - Soveltuu laitteen öiseen aikaan tapahtuvaan käyttöön. Takaa ihanteelliset pesu- ja kuivaustulokset mahdollisimman hiljaisesti.	✓	✓	+ ⌚	3:50-4:10	10,5-14,5	0,80-1,15
P8	Sanitointi 65° - Normaaliikaiset tai hyvin likaiset astiat, lisänä antibakteerinen toiminto. Voidaan käyttää astianpesukoneen kunnossapidon suorittamiseen.	✓	-	POWER CLEAN ½ + ⌚	1:55-2:10	12-19	1,40-1,80
P9	Esipesu - Myöhemmin pestävät astiat. Tämän ohjelman kanssa ei käytetä pesuainetta.	-	✓	½ ⌚	0:12	4,5	0,10
P10	Itsepuhdistus 65° - Ohjelma, jota tulee käyttää astianpesukoneen huollon suorittamiseen, ainoastaan astianpesukoneen ollessa TYHJÄ, käyttäen astianpesukoneen huoltoon tarkoitettuja erityispesuaineita.	-	-	⌚	1:15	11,0	1,10

SÄÄSTÖ-ohjelman tiedot on mitattu eurooppalaisen EN 60436:2020 -standardin mukaisissa laboratorio-olosuhteissa.

Huomautus testauslaitoksille: yksityiskohtaisten tietojen saamiseksi vertailevan EN testin ehtoista, lähetä pyyntö sähköpostiosoitteeseen:

dw_test_support@whirlpool.com

Astioiden esikäsitteilyä ei tarvita ennen mitään näistä ohjelmista.

*) Kaikkia lisävalintoja ei ole mahdollista käyttää samanaikaisesti.

***) Muille kuin Säästö-ohjelmalle annetut arvot ovat ainoastaan suuntaa-antavia. Todellinen aika saattaa vaihdella eri tekijöiden mukaisesti. Näitä ovat muun muassa veden lämpötila ja sen tulopaine, huoneen lämpötila, pesuaineen määrä, astioiden määrä ja niiden tyyppi, kuorman tasapaino, valitut lisätoiminnot sekä anturin kalibrointi. Anturin kalibrointi saattaa lisätä ohjelman kestoa jopa 20 minuuttia.

LISÄVALINNAT JA TOIMINNOT

Lisävalinnat voidaan valita/valinta voidaan poistaa ohjelman valitsemisen jälkeen painamalla suoraan vastaavaa painiketta (jos käytettävissä – merkivalo syttyy) (ks. KÄYTTÖPANEELI). Jos jokin lisävalinta ei ole yhteensopiva valitun ohjelman kanssa ks. OHJELMATAULUKKO, vastaava LED-merkivalo vilkkuu nopeasti 3 kertaa ja kuuluu äänimerkki. Lisävalintaa ei voida käyttää. Lisävalinta voi muuttaa ohjelman kestoa tai veden tai energian kulutusta.

POWER CLEAN® - Tämän toiminnon lisävesisuihkut parantavat ja lisäävät pesutehoa alakorin tietyllä alueella. Toimintoa suositellaan käytettäväksi pannujen ja kattiloiden pesuun (Katso kohdasta Power Clean®).

½ PUOLITÄYTTÖ - Jos pestäviä astioita on vain vähän, voidaan käyttää PUOLITÄYTTÖ-toimintoa veden, sähkön tai ajan säästämiseksi valitusta ohjelmasta riippuen.

Muista vähentää pesuaineen määrää.

||||+ ERITTÄIN KUIVA - Korkeampi lämpötila loppuhuuhTELUN aikana sekä pidennetty kuivausvaihe parantavat kuivaustulosta. ERITTÄIN KUIVA-lisävalinta pidentää pesujaksoa.

⌚ AJASTUS - Ohjelman käynnistymistä voidaan ajastaa alkamaan myöhempänä ajankohtana, **30 minuutin – 24 tunnin** kuluttua.

1. Valitse ohjelma ja mahdollisesti halutut valinnat. Paina AJASTUS-painiketta (toistamiseen), jos haluat siirtää ohjelman alkamisen myöhemmäksi. Viiveeksi voidaan valita 0,5–24 tuntia. Kun 24 tunnin asetus on saavutettu, painamalla AJASTUSTA vielä kerran AJASTUS-toiminto otetaan pois päältä.
2. Paina KÄYNNISTYS/TAUKO-painiketta ja sulje luukku 4 sekunnin sisällä.
3. Kun tämä aika on kulunut loppuun, merkivalo sammuu ja ohjelma alkaa automaattisesti.

AJASTUS-toimintoa ei voida asettaa sen jälkeen kun ohjelma on alkanut.

🔍 LIKAISUUSANTURI - Kun anturi tunnistaa astioiden likaisuutta, näytössä näkyy animaatio (n. 20 minuuttia) ja kone päivittää ohjelman keston. Sensing-toiminto tunnistaa astioiden likaisuustason, se kuuluu kaikkiin jaksoihin Säästöohjelmaa lukuun ottamatta ja se säätää ohjelman saatujen tietojen perusteella.

📖 SUOSIKKIOHJELMAN - Suosikkiohjelma voidaan tallentaa, jolloin se on helposti valittavissa. Etsi ohjelma EDELLINEN/SEURAAVA-painikkeella ja paina sitten SUOSIKKIOHJELMAN painiketta 3 sekunnin ajan.

📺 LATTIALLE HEIJASTUVA VALOR - Lattialle heijastuva LED-valo tarkoittaa, että astianpesukone on käynnissä. Valo sammuu jakson lopussa. Tämä ominaisuus on aktiivisena oletusasetusten mukaisesti, mutta se voidaan deaktivoida "VALIKON ASETTAMINEN".

NaturalDry - Konvektion perustuva kuivausjärjestelmä, jossa luukku avautuu automaattisesti kuivausvaiheen aikana/jälkeen erinomaisen kuivaustuloksen takaamiseksi päivittäin. Luukku avautuu keittiökaluksille turvallisessa lämpötilassa.

Astianpesukoneeseen on lisäsuojaksi höyryltä lisätty erityisesti tähän suunniteltu suojakalvo. Suojakalvon asentamisesta on kerrottu ASENNU SOPPAASSA. Tämä ominaisuus on aktiivisena oletusasetusten mukaisesti, mutta se voidaan poistaa käytöstä "VALIKON ASETTAMINEN".

🔊 KALKINPOISTO - Hälytys - Laitteen sisäosiin on havaittu kerääntyneen kalkkisaostumia. Tarkasta onko **Veden kovuuden asettaminen** oikeassa arvossa ja varmista, että suolasäiliössä on **suolaa** (katso tarkemmat tiedot ENSIMMÄINEN KÄYTTÖKERTA), käytä **sitten kalkinpoistotuotetta** (suosittelemme WPro-merkkiä) **Itsepuhdistusohjelman** kanssa. Onnistuneen kalkinpoiston jälkeen kuvake ei enää ole näkyvässä.

Jos yllä ilmoitettuja toimenpiteitä ei suoriteta, tuotteen suorituskyky laskee. «Kalkinpoisto»-varoitusta alkaa vilkkua ja näytölle tulee «dES»-hälytys. Jos mihinkään toimenpiteisiin ei vielä kukaan ryhdytä, laitteella voidaan suorittaa enää vain muutamia jaksoja (näkyvä «dES»-hälytyksen näytön aikana), minkä jälkeen käyttö ei ole enää mahdollista komponenttien vahingoittumisen ehkäisemiseksi ja ainoastaan **Itsepuhdistusohjelman käyttäminen on mahdollista**. Kalkinpoistotoiminnon suorittaminen kokonaisuudessaan poistaa laitteen lukituksen. Jos kalkkisaostumia on runsaasti, saattaa olla tarpeen suorittaa kaksi kalkinpoistojaksoa tarvittavan tehon saavuttamiseksi.

🚫 VESIHANA KIINNI - Hälytys - Vilkkuu, jos laitteeseen ei tule vettä tai jos vesihana on kiinni.

KORIEEN TÄYTTÄMINEN

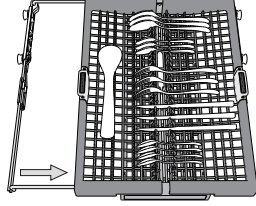
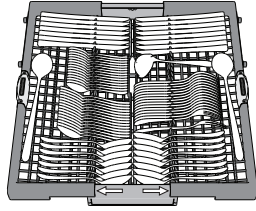
Kapasiteetti: 15 hengen tavallinen astiasto

RUOKAILUVÄLINEKORI

Kolmas kori on suunniteltu ruokailuvälineille. Aseta ruokailuvälineet kuvassa näytetyllä tavalla.

Jos ruokailuvälineet sijoitetaan erilleen, on niiden kerääminen pesun jälkeen helpompaa; myös pesu- ja kuivaustulokset ovat paremmat.

Veitset ja muut teräväreunaiset keittiövälineet on sijoitettava siten, että terät osoittavat alaspäin.



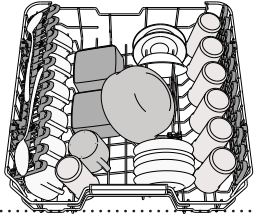
Ruokailuvälinekori on varustettu kahdella liukuvalla sivutasolla; näin saadaan alatilaa korkeus hyödynnettyä mahdollisimman hyvin ja yläkoriin pystytään sijoittamaan korkeita astioita.

YLÄKORI

Aseta koriin arat ja kevyet astiat: lasit, kupit, teevadit, matalat salaattikulhot.

Yläkorissa on pystyyn nostettavia tukia, joita voidaan pystyasennossa käyttää tee-/jälkiruokalautasten järjestelyyn tai ala-asennossa kulhojen ja säilytysastioiden sijoitteluun.

(yläkoriin täyttöesimerkki)



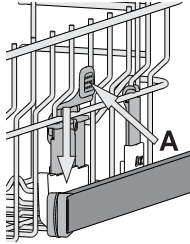
Yläkorin korkeuden säätäminen

Yläkorin korkeutta voidaan säätää: korkea asento on tarpeen silloin, kun alakoriin laitetaan kookkaita astioita; ja matala asento silloin, kun halutaan lisätilaa ylös hyödyntämällä pystyyn nostettavia tukia, samalla estäen törmäyksiä alakorissa olevien astioiden kanssa.

Yläkori on varustettu **yläkoriin korkeussäätimellä** (ks. kuva), nosta sitä yksinkertaisesti ylöspäin korin sivuista pitäen ja vipuja painamatta heti kun kori on tukevasti yläasennossaan.

Ala-asento palautetaan painamalla korin sivuissa olevia vipuja **A** ja siirtämällä sitten itse korin alaspäin. **Korin korkeutta ei saa säätää sen ollessa täytettynä.**

ÄLÄ KOSKAAN nosta tai laske koria vain toiselta sivulta.

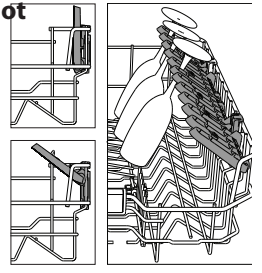


Taivutettavien läppien säädettävät asennot

Sivuläpät voidaan taivuttaa kiinni tai auki siten, että astiat voidaan asettaa koriin paremmin. Viinilasit voidaan sijoittaa turvallisesti taivutettaviin läppiin asettamalla kunkin lasin varren niille tarkoitettuihin aukkoihin.

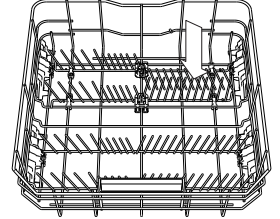
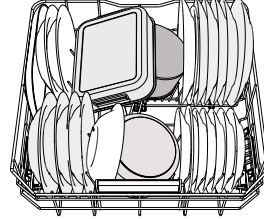
Mallista riippuen:

- läpät taivutetaan auki liu'uttamalla sitä ylöspäin ja kiertämällä tai vapauttamalla sen kiinnikkeistä ja vetämällä alaspäin.
- läpät taivutetaan kiinni kiertämällä sitä ja liu'uttamalla läpät alas tai vetämällä se ylöspäin ja kiinnittämällä läpät kiinnikkeisiin.



ALAKORI

Padoille, kansille, lautasille, salaattikulhoille, aterimille, veitsille ja vastaaville. Suuret lautaset ja kannet on hyvä sijoittaa sivuille, jotta ne eivät häiritse suihkuvarren toimintaa. Alakorissa on pystyyn nostettavia tukia, joita voidaan pystyasennossa käyttää lautasten järjestelyyn tai vaaka-asennossa (ala-asento) pannujen ja salaattikulhojen sijoitteluun helpottamiseen.



(alakorin täyttöesimerkki)

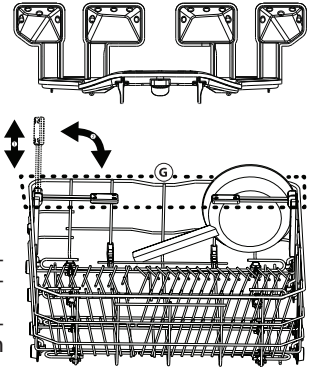
POWER CLEAN®

Power Clean® pesee erittäin likaiset astiat tehokkaasti laitteen takaosassa olevien erikoissuihkujen avulla. Alakorissa on nk. Space Zone, erityinen esiinvedettävä tuki korin takaosassa, jota voidaan käyttää paistinpannujen ja leivinpeltien tukemiseen pystyasennossa, jolloin ne tarvitsevat vähemmän tilaa.

Aseta pannut/kattilat **Power Clean®**-komponenttia kohden ja käynnistä paneelista **POWER CLEAN**.

Power Clean® käyttö:

1. Valmistele Power Clean®-alue (G) taittamalla takana olevat lautastelineet alas kattiloiden sijoittamista varten.
2. Sijoita pannut ja kattilat Power Clean®-aluelle pystyyn hieman kallelleen. Pannujen täytyy olla kallellaan vesisuihkuihin päin.



PUHDISTUS JA HUOLTO

SIHTIRYHMÄN PUHDISTAMINEN

Puhdista sihtiryhmä säännöllisesti, jotta sihdit eivät tukkiudu ja jotta jätevesi pääsee virtaamaan pois asianmukaisella tavalla.

Astianpesukoneen käyttäminen suodattimien ollessa tukossa tai jos suodatusjärjestelmässä tai suihkuvarsissa on jotain asiaankuulumatonta saattaa aiheuttaa toimintahäiriötä, tehokkuuden laskua, meluisuutta tai resurssien kulutuksen nousua.

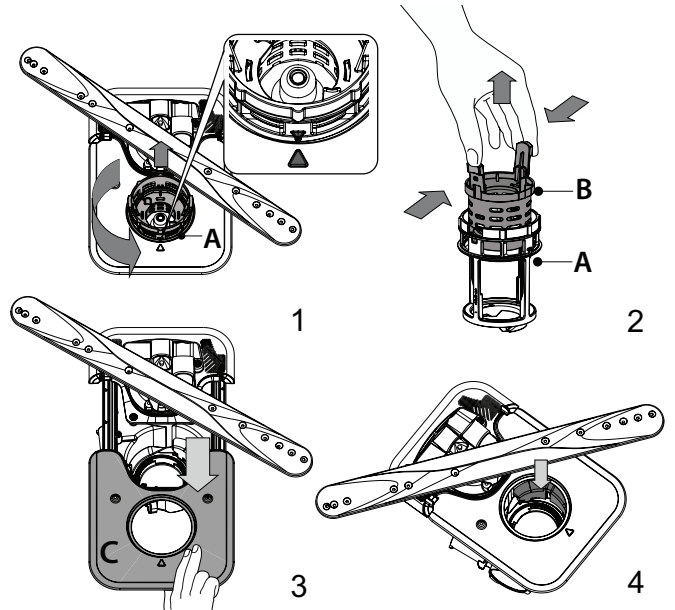
Sihtiryhmään kuuluu kolme sihtiä, jotka poistavat pesuvedestä ruoan jätteitä ja kierrättävät sitten vettä uudelleen. Ne on puhdistettava, jos jokaisella pesukerralla halutaan parhaat pesutulokset.

Astianpesukonetta ei saa käyttää ilman sihtejä tai jos sihti on löysä.

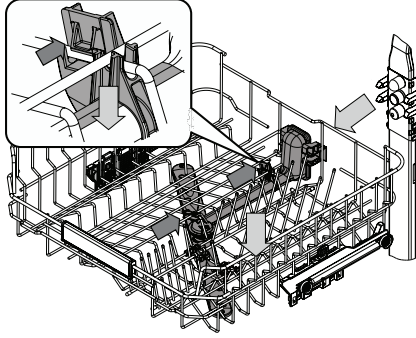
Vähintään kerran kuussa tai aina 30 pesujakson jälkeen on tarkastettava sihtiryhmä; puhdista se tarpeen vaatiessa huolellisesti juoksevalta vedellä, ei-metallista harjaa käyttäen ja seuraavien ohjeiden mukaisesti:

1. Käännä sylinterimäinen sihti **A** vastapäivään ja vedä se ulos (Kuvio 1). **Kun suodatinta asennetaan takaisin paikalleen, on tärkeää toimia siten, että zoomauksessa näytetyt kaksi kolmiota kohtaavat.**
2. Irrota kuppimainen sihti **B** painamalla hiukan sivuläpistä (Kuvio 2).
3. Liu'uta ruostumattomasta teräksestä valmistettu levysihti **C** ulos. (Kuvio 3).
4. Jos löydät asiaankuulumattomia kappaleita (esim. rikkoutunutta lasia, posliinia, luita, hedelmän siemeniä), **poista ne huolellisesti.**
5. Tarkasta lokero ja poista kaikki ruokajätteet. **ÄLÄ KOSKAAN POISTA** pesujakson pumpun suojusta (näytetty nuolella) (Kuvio 4).

Sihtien puhdistamisen jälkeen aseta sihtiryhmä uudelleen paikalleen ja kiinnitä se oikein; tämä on oleellisen tärkeää astianpesukoneen toimintatehon säilyttämiseksi.

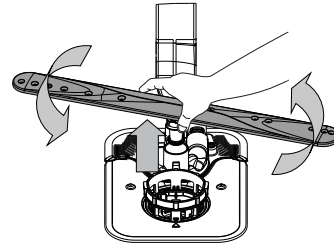


SUIHKUVARSIEN PUHDISTAMINEN

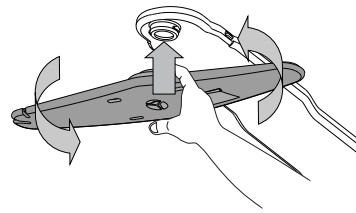


Toisinaan ruokajätteitä saattaa tarttua suihkuvarsiin tukkien reiät, joista vettä suihkuu. Tämän vuoksi on suositeltavaa tarkastaa varret ajoittain ja puhdistaa ne pienellä ei-metallisella harjalla.

Yläsuihku on poistettava yhdessä jakoputken kanssa.



Alempi suihkuvarsi voidaan poistaa vetämällä sitä ylöspäin ja kiertämällä sitä vastapäivään. Suihkuvarsi asennetaan takaisin vetämällä sitä alaspäin ja kiertämällä myötäpäivään.



Ylempi suihkuvarsi voidaan poistaa painamalla sitä ylös ja kiertämällä sitten sitä vastapäivään. Suihkuvarsi asennetaan takaisin vetämällä sitä ylöspäin ja kiertämällä myötäpäivään.

VIANETSINTÄ

Jos astianpesukoneesi ei toimi oikein, tarkasta pystytkö ratkaisemaan ongelman itse käymällä läpi seuraavan luettelon kohdat. Jos kyseessä on jokin muu virhe tai ongelma, ota yhteyttä valtuutettuun huoltopalveluun; yhteystiedot on ilmoitettu takuukirjasessa. Varaosia on saatavana joko 7 tai 10 vuoden ajan, noudatettavan asetuksen vaatimusten mukaisesti.

ONGELMAT	MAHDOLLISET SYYT	RATKAISUT
Suolamäärän merkkivalo palaa.	Suolasäiliö on melkein tyhjä.	Lisää säiliöön suolaa (lisätietoja – katso <i>SUOLASÄILIÖN TÄYTTÄMINEN</i>). Tarkasta veden kovuusasetus tarvittaessa – ks. taulukko, <i>VEDEN KOVUUSTAULUKKO</i> .
Suolamäärän merkkivalo vilkkuu.	Suolasäiliö on tyhjä.	Täytä suolasäiliö mahdollisimman pian. Laitteen käyttäminen ilman suolaa saattaa vahingoittaa sen sisäkomponentteja.
Huuhtelukirkasteen merkkivalo palaa tai vilkkuu.	Huuhtelukirkastesäiliö on tyhjä. (Täytön jälkeen huuhtelukirkasteen merkkivalo voi jäädä palamaan lyhyeksi aikaa).	Lisää säiliöön huuhtelukirkastetta (lisätietoja – katso <i>HUUHTELUKIRKASTESÄILIÖN TÄYTTÄMINEN</i>).
Kalkinpoiston merkkivalo palaa tai vilkkuu; „dES“-hälytys näkyy.	Laitteen sisäkomponentteihin on kerääntymässä kalkkikerääntymiä.	Suorita laitteen kalkinpoisto välittömästi Itsepuhdistusohjelmalla ja yleisesti kaupan olevalla kalkinpoistotuotteella (ks. <i>LISÄVALINNAT JA TOIMINNOT</i>). Täytä suolasäiliö. Tarkasta veden kovuusasetus. Jos laitteelle ei suoriteta kalkinpoistoa, se lakkaa toimimasta.
Astianpesukone ei käynnisty tai ei vastaa ohjaustoimiin.	Laitetta ei ole kytketty kunnolla virtaan.	Laita pistoke pistorasiaan.
	Sähkökatko.	Turvallisuussyistä astianpesukone ei käynnisty automaattisesti sähkön palattua. Avaa astianpesukoneen luukku, paina KÄYNNISTYS/TAUKO-painiketta ja sulje luukku uudelleen 4 sekunnin sisällä.
	Astianpesukoneen luukku ei ole kiinni. NaturalDry-tappia ei ole vedetty sisään.	Työnnä luukkuu päättäväisesti kunnes kuulet sen napsahtavan.
	Jakso keskeytyy, jos luukku avataan yli 4 sekunniksi.	Paina KÄYNNISTYS/TAUKO-painiketta ja sulje luukku 4 sekunnin kuluessa.
	Käyttöpaneeli ei vastaa toimenpiteisiin tai sillä näkyy F6 E1 .	Sammuta laite painamalla PÄÄLLÄ/POIS/NOLLAUS-painiketta, laita se uudelleen päälle noin minuutin kuluttua ja käynnistä ohjelma uudelleen. Jos ongelma ei ratkea, irrota laitteen kytkentä 1 minuutin ajaksi ja kytke se sitten uudelleen.
Astianpesukone ei tyhjennä vettä. Näytössä näkyy: F7 E3 tai F9 E1	Sihti on tukossa ruoan jätteistä tai kalkkikerääntymistä.	Puhdista sihti ja suorita laitteen kalkinpoisto (ks. <i>SUIHKUVARSIEN PUHDISTAMINEN</i> ja <i>KALKINPOISTO-OHJEET</i>).
	Tyhjennysletku on mutkalla.	Tarkasta tyhjennysletku (ks. <i>ASENNUSOHJEET</i>).
	Tyhjennysputki viemäriin on tukossa.	Puhdista viemäriin johtava tyhjennysputki.
Astianpesukoneesta tulee liikaa ääntä.	Astiat kolisevat toisiaan vasten.	Aseta astiat koneeseen oikein (ks. <i>KORIEN TÄYTTÄMINEN</i>).
	On muodostunut liikaa vaahtoa.	Pesuainetta ei ole annosteltu oikein tai se ei sovellu käytettäväksi astianpesukoneissa (ks. <i>PESUAINELOKERON TÄYTTÄMINEN</i>). Käynnistä nykyinen jakso uudelleen sammuttamalla astianpesukone ja käynnistämällä se sitten uudelleen; valitse sitten uusi ohjelma, paina KÄYNNISTYS/TAUKO ja sulje luukku 4 sekunnin sisällä. Älä lisää pesuainetta.
	Astioita ei ole sijoitettu koneeseen oikein.	Sijoita astiat koneeseen oikein (ks. <i>KORIEN TÄYTTÄMINEN</i>).
	Sihti on tukossa ruoan jätteistä tai kalkkikerääntymistä.	Puhdista sihtiryhmä (ks. <i>PUHDISTUS JA HUOLTO</i>).
Astiat eivät ole puhtaita.	Astioita ei ole sijoitettu koneeseen oikein.	Sijoita astiat koneeseen oikein (ks. <i>KORIEN TÄYTTÄMINEN</i>).
	Suihkuvarret eivät pääse pyörimään vapaasti, sillä astiat estävät liikettä.	Sijoita astiat koneeseen oikein (ks. <i>KORIEN TÄYTTÄMINEN</i>). Varmista, että yläkori on oikeassa asennossa ja säädä sitä (nostamalla) tarvittaessa.
	Pesujakso on liian hellävarainen.	Valitse sopiva pesujakso (ks. <i>OHJELMATAULUKKO</i>).
	On muodostunut liikaa vaahtoa.	Pesuainetta ei ole annosteltu oikein tai se ei sovellu käytettäväksi astianpesukoneissa (ks. <i>PESUAINELOKERON TÄYTTÄMINEN</i>).
	Huuhtelukirkastelokeron korkkia ei ole suljettu kunnolla.	Varmista, että huuhtelukirkastesäiliön korkki on suljettu.
	Sihti on tukossa ruoan jätteistä tai kalkkikerääntymistä.	Puhdista sihti ja suorita laitteen kalkinpoisto (ks. <i>SIHTIRYHMÄN PUHDISTAMINEN</i>).
	Suolasäiliö on tyhjä.	Täytä suolasäiliö (ks. <i>SUOLASÄILIÖN TÄYTTÄMINEN</i>).

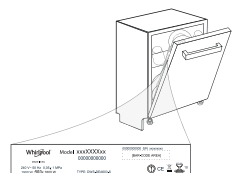
ONGELMAT	MAHDOLLISET SYYT	RATKAISUT
Astianpesukone ei ota vettä. Näytössä näky: H2O ja \emptyset se palaa; kuuluu äänimerkki.	Vesijohdossa ei ole vettä tai hana on suljettu.	Varmista, että vesijohdossa on vettä ja että vesihana on auki.
	Veden ottoletku on mutkalla.	Tarkasta ottoletku (ks. <i>ASENNUS</i>). Avaa astianpesukoneen luukku, paina KÄYNNISTYS/TAUKO-painiketta ja sulje luukku uudelleen 4 sekunnin sisällä.
	Vedenottoletkun suoja verkko on tukossa; se on puhdistettava.	Tarkasta veden ottoletkun suoja ja puhdista se. Avaa astianpesukoneen luukku, paina KÄYNNISTYS/TAUKO-painiketta (käynnistys/tauko) ja sulje luukku uudelleen 4 sekunnin sisällä.
Astianpesukone päättää jakson ennenaikaisesti. Näytössä näky: F8 E3	Sihti on tukossa ruoan jätteistä tai kalkkikerääntymistä.	Puhdista sihti ja suorita laitteen kalkinpoisto (ks. <i>SIHTIRYHMÄN PUHDISTAMINEN ja KALKINPOISTO-OHJEET</i>).
	Tyhjennysletku on liian alhaalla tai lappo viemäriin ei toimi oikein.	Tarkasta onko tyhjennysletkun pää sijoitettu oikealle korkeudelle (ks. <i>ASENNUS</i>). Tarkasta lappaus kodin viemäriin ja tarvittaessa asenna lappoon katkaisin/lappoventtiili.
	On muodostunut liikaa vaahtoa.	Pesuainetta ei ole annosteltu oikein tai se ei sovellu käytettäväksi astianpesukoneissa (ks. <i>PESU-AINELOKERON TÄYTTÄMINEN</i>).
	Ilmaa vedensyötössä.	Tarkasta, onko vedentuloletkussa vuotoja tai pääseekö ilmaa sisään muista syistä.
Astiat eivät ole kuivuneet kunnolla.	Huuhtelukirkastetta ei ole tai sitä on annosteltu liian vähän.	Varmista, että huuhtelukirkastesäiliö on täytetty (ks. <i>HUUHTELUKIRKASTESÄILIÖN TÄYTTÄMINEN</i>). Monitoimitabletit yksinään eivät anna yhtä hyviä kuivaustuloksia kuin nestemäisen huuhtelukirkasteen käyttäminen.
	Astiat on poistettu luukun automaattisen aukeamisen jälkeen, mutta ennen jakson varsinaista loppumista.	Varmista, että jakso on päättynyt ennen kuin ryhdyt poistamaan astioita (ks. <i>PÄIVITTÄINEN KÄYTTÖ</i>). Parempia kuivaustuloksia varten astiat on suositeltavaa jättää astianpesukoneeseen sen luukun ollessa auki vielä 15 minuutiksi jakson loppumisen jälkeen.
	Astioita ei ole laitettu tarpeeksi pystyyn.	Jos huomaat kuppien, mukien tai kulhojen sisään jäävän vettä, yritä asettaa astiat (etenkin yläkorissa) siten, että ne tulevat kaltevammin, jotta enemmän vettä pääsee valumaan pois ennen kuivauksen alkamista.
	Valitussa ohjelmassa ei ole kuivausvaihetta.	Tarkasta <i>OHJELMATAULUKKO</i> , kuuluuko valittuun ohjelmaan kuivausvaihe. Ohjelma, jossa ei ole kuivausvaihetta, ei anna haluttua kuivaustehoa, minkä vuoksi on suositeltavaa vaihtaa jaksoksi sellainen, johon kuuluu kuivausvaihe.
	Astiat on valmistettu teflonista tai muovista.	Vesipisaroiden jääminen näiden materiaalien pinnalle on normaalia.
Lautasissa ja laseissa on sinisiä raitoja tai sinertävä sävy.	Huuhtelukirkastetta on annosteltu liikaa.	Laske annostelua.
Astioissa ja laseissa on kalkkikerääntymiä tai niissä on valkeahko kalvo.	Suolasäiliö on tyhjä.	Täytä suolasäiliö mahdollisimman pian. Laitteen käyttäminen ilman suolaa saattaa vahingoittaa sen sisäkomponentteja.
	Veden kovuusasetus on liian alhainen.	Nosta asetusta (ks. <i>VEDEN KOVUUSTAULUKKO</i>).
	Suolasäiliön korkkia ei ole suljettu oikein.	Tarkasta suolasäiliön korkki ja sulje se.
	Huuhtelukirkastesäiliö on tyhjä tai huuhtelukirkasteen annostelu on riittämätöntä.	Lisää säiliöön huuhtelukirkastetta ja tarkasta annostelun asetus (lisätietoja - ks. <i>HUUHTELUKIRKASTESÄILIÖN TÄYTTÄMINEN</i>).
Astianpesukoneessa näky F8 E5	Venttiili on lukkiutunut tai viallinen.	Sulje vesihana, jos mahdollista. Älä katkaise virtaa. Ota yhteyttä huoltoon.



Yhtiön säännöt, vakiodokumentaatio, varaosien tilaaminen sekä tuotetta koskevat lisätiedot ovat saatavissa osoitteesta:

- Käyttämällä QR-koodia ja verkkosivustolta docs.whirlpool.eu
- Verkkosivustolta: parts-selfservice.whirlpool.com
- Vaihtoehtoisesti **ottamalla yhteyttä huoltopalveluumme** (katso puhelinnumero takuuvihkosesta). Kun otat yhteyttä huoltopalveluun, ilmoita tuotteen tunnistekilvessä olevat koodit.

Mallia koskevat tiedot on saatavilla energiamerkin QR-koodia käyttäen. Merkinnässä on myös mallin tunniste, jota voidaan käyttää tuotetietokantaan tutustumista varten osoitteessa <https://eprel.ec.europa.eu>.





KÖSZÖNJÜK, HOGY A WHIRLPOOL TERMÉKÉT VÁLASZTOTTA!
Teljes körű támogatásért kérjük, regisztrálja termékét honlapunkon: www.whirlpool.eu/register

A készülék használata előtt olvassa el figyelmesen a Biztonsági és telepítési útmutatót. A termékről további információt a következő weboldalon talál: docs.whirlpool.eu



A beszerelést követően ne felejtse el eltávolítani a mosogatógépből a szállításhoz használt védőelemeket.

KEZELŐPANEL

1. **BE-KI/Újraindítás** gomb és jelzőfény
2. **ELŐZŐ program** gomb
3. **KÖVETKEZŐ program** gomb
4. **KEDVENC program** gomb és jelzőfény
5. **Sótartály** üres jelzőfény
6. **Öblítőszer tartály** üres jelzőfény
7. **VÍZKÖMÉNTESÍTÉS** jelzőfény
8. **Elzárt vízcsap** jelzőfény
9. **Kijelző**
10. **Programszám és hátralevő idő** jelzőfény
11. **Power Clean® opciógomb** és jelzőfény



12. **Fél töltet opciógomb** és jelzőfény/**Beállítások** - 3 másodperces lenyomás
13. **Extra Száraz opciógomb** és jelzőfény
14. **Késleltetés opciógomb** és jelzőfény
15. **INDÍTÁS/Szünet** gomb és jelzőfény

ELSŐ HASZNÁLAT

BEÁLLÍTÁSOK MENÜ

1. Kapcsolja be a készüléket a **BE-KI** (⏻) gombbal.
2. Tartsa lenyomva a **Beállítások** (⚙️) (Fél töltet (⏸️)) gombot 3 másodpercig, amíg hangjelzést nem hall, és a kijelzőn megjelenik a „Set” üzenet.
3. Egy másodperc múlva megjelenik az első rendelkezésre álló beállítás („h” betű).
4. Nyomja meg a **ELŐZŐ**/**KÖVETKEZŐ** gombot a rendelkezésre álló beállítások (lásd „A lenti táblázatot”) listájának végiggörgetéséhez, majd nyomja meg a **INDÍTÁS/Szünet** (▶️) gombot a kiválasztott beállítás értékének megtekintéséhez és módosításához.
5. Nyomja meg a **ELŐZŐ**/**KÖVETKEZŐ** gombot az érték módosításához, majd nyomja meg a **INDÍTÁS/Szünet** (▶️) gombot az új érték mentéséhez és a főmenübe történő visszatéréshez.
6. További beállítások módosításához ismételje meg a 4. és az 5. lépést.
7. Nyomja meg az **BE-KI** (⏻) gombot, vagy várjon 30 másodpercet a menüből történő kilépéshez.

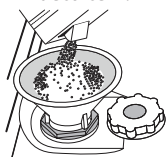
BETŰ	BEÁLLÍTÁSOK	ÉRTÉKEK (Alapértelmezett – félkövér)
	Vízkeménység szintje (lásd „A VÍZKEMÉNYSEG BEÁLLÍTÁSA” és a „VÍZKEMÉNYSEGI TÁBLÁZAT”)	1 2 3 4 5
	Öblítő szintje (lásd: „A VÍZKEMÉNYSEG BEÁLLÍTÁSA”)	0 1 2 3 4 5
	NaturalDry (lásd: „OPCIÓK ÉS FUNKCIÓK”) „1” = Be, „0” = Ki	1 0
	Padlófény (lásd: „OPCIÓK ÉS FUNKCIÓK”) „1” = Be, „0” = Ki	1 0
	Hang „1” = Be, „0” = Ki	1 0
	Gyári beállítások Nyomja meg a INDÍTÁS/Szünet gombot a Beállítások menüben található beállítások értékének gyári alapértékre történő visszaállításához.	-

A SÓTARTÁLY FELTÖLTÉSE

Só használatával elkerülhető, hogy **VÍZKŐ** képződjön az edényeken és a gép funkcionális alkatrészein.

A sótartály a mosogatógép alsó részén található (a bal oldali alsó kosár alatt).

- Feltétlenül szükséges, hogy a **só tartály soha ne legyen üres.**
- Fontos, hogy a víz keménység be legyen állítva.
- Ha a **SÓ UTÁNTÖLTÉSE jelzőfény** (☀️) világít a kezelőpanelen, sót kell betölteni.



1. Vegye ki az alsó kosarat, és csavarja ki a tartály kupakját (az óramutató járásával ellentétes irányba).
2. Helyezze be a tölcserít (lásd az ábrát), és tölts fel teljesen a só tartályt (ehhez kb. 0,5 kg só szükséges). Előfordulhat, hogy egy kevés víz kifolyik a rekeszből.
3. **Csak a legelső használatkor: tölts fel vízzel a só tartályt!**

4. Vegye ki a tölcserít, és törölje le az esetlegesen kiszóródott sót a nyílás környékéről.

Zárja vissza szorosan a kupakot úgy, hogy a mosogatási program során ne kerülhessen mosogatószert a tartályba (ellenkező esetben a vízlágyító helyrehozhatatlanul károsodhat).

A korrózió megelőzése érdekében a só betöltését követően mindig futtasson egy programot.

A víz keménység beállítása

A vízlágyító akkor működik tökéletesen, ha a víz keménységet a lakóhelyén elérhető víz tényleges keménysége alapján állítja be. Ezzel kapcsolatban érdeklődjön a helyi vízműveknél. A gyári beállítás a közepes „3” víz keménység. Lásd „VÍZKEMÉNYSEGI TÁBLÁZAT”.

A módosításhoz kövesse a „BEÁLLÍTÁSOK MENÜ” részben leírt utasításokat.

Víz keménységi táblázat

Szint	°dH Német rendszer	°fH Francia rendszer	°Clark Angol rendszer
1 (lágy)	0 - 6	0 - 10	0 - 7
2 (közepes)	7 - 11	11 - 20	8 - 14
3 (átlagos)	12 - 16	21 - 29	15 - 20
4 (kemény)	17 - 34	30 - 60	21 - 42
5 (nagyon kemény)	35 - 50	61 - 90	43 - 62

Kizárólag mosogatógépekhez készült só használjon.

Miután sónt öntött a készülékbe, a „SÓ UTÁNTÖLTÉSE” jelzőfény kialszik.

Ha nem tölti fel a só tartályt, a vízlágyító és a fűtőelem a vízkő felhalmozódása miatt károsodhat.

Só használata bármilyen mosogatószert mellett ajánlott.

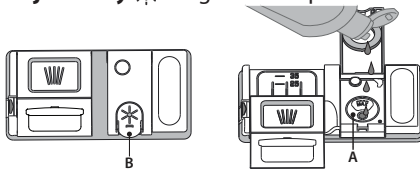
VÍZLÁGYÍTÓ RENDSZER

A vízlágyító rendszer automatikusan csökkenti a víz keménységét, így megelőzve a vízkő felhalmozódását a fűtőszálon, így jobb mosogatási hatékonyságot biztosítva. **A rendszer sóval regenerálja magát, ezért a só tartályt kiürülés esetén fel kell tölteni.** A regenerálás gyakorisága a víz keménység szintjének beállításától függ - a regenerálás **4-6** Eco ciklusként történik meg **3-ra** állított víz keménység szinttel. A regenerációs folyamat a ciklus elején további friss víz hozzáadásával történik.

- Egyetlen regenerálás során a készülék: ~3 l vizet használ fel;
- A program 5 perccel tovább tart;
- Kevesebb, mint 0,005 kWh energiát használ fel.

AZ ÖBLÍTŐSZER-ADAGOLÓ FELTÖLTÉSE

Az öblítőszerrel könnyebben **SZÁRADNAK** az edények. Az öblítőszeradagoló **A** akkor kell feltölteni, ha az **ÖBLÍTŐSZER UTÁNTÖLTÉSE jelzőfény** (☀️) világít a kezelőpanelen.



1. Nyissa ki az adagolót **B** úgy, hogy a fedélen lévő fület lenyomja, majd felfelé húzza.

2. Óvatosan öntse be az öblítőszeret. Ne lépje túl a tartályban jelölt maximális mennyiséget (110 ml), és ne öntse ki a folyadékot. Ha ez mégis megtörténik, azonnal törölje fel a kiömlött folyadékot egy száraz ruhával.

3. Csukja vissza a fedelet: ehhez nyomja le, amíg kattánás nem hallatszik.

SOHA ne öntse az öblítőszeret közvetlenül a mosogatóterbe.

Az öblítőszer adagolása

Ha nem elégedett a szárítási eredménnyel, módosítsa a használt öblítőszer mennyiségét.

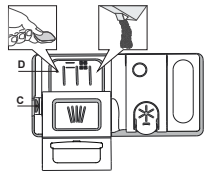
Ha az öblítőszer szintjét 0-ra állítja, a készülék nem adagol öblítőszeret. Az **ÖBLÍTŐSZER UTÁNTÖLTÉSE jelzőfény** nem fog kigyulladni, amikor kifogy az öblítőszer.

A mosogatógép típusától függően legfeljebb **6** szint állítható be.

- Ha kékes csíkok jelennek meg az edényeken, alacsony értéket állítson be (0-3).
- Ha vízcsapok vagy vízkő látható az edényeken, magas értéket állítson be (4-5).

A MOSOGATÓSZER-ADAGOLÓ FELTÖLTÉSE

A mosogatószer-adagoló nyitására használja az **C** eszközt. A mosogatószer kizárólag a száraz **D** adagolóba önthető. Az előmosogatáshoz használt mosogatószert közvetlenül a mosogatótérbe helyezze.



1. A mosogatószer kimérésekor a helyes mennyiség meghatározását az eddigi információk alapján végezze. A mosogatószer-adagoló **D** belsejében elhelyezett jelzések segítenek a megfelelő mennyiség meghatározásában.
2. Törölje le a kiömlött mosogatószert az adagoló szélétről, majd zárja vissza a fedélet kattantással.
3. Zárja vissza a mosogatószer-adagoló fedelét: húzza felfelé, amíg a zárszerkezet rögzül.

MINDENNAPI HASZNÁLAT

1. ELLENŐRIZZE A VÍZBEKÖTÉST

Ellenőrizze, hogy a mosogatógép rá van-e kötve a vízhálózatra, és hogy a csap nyitva van-e.

2. KAPCSOLJA BE A MOSOGATÓGÉPET

Nyissa ki az ajtót, és nyomja meg az **BE/KI** gombot.

3. A KOSARAK MEGTÖLTÉSE (lásd: A KOSARAK MEGTÖLTÉSE).

4. A MOSOGATÓSZER-ADAGOLÓ FELTÖLTÉSE

5. A PROGRAM KIVÁLASZTÁSA ÉS A CIKLUS BEÁLLÍTÁSA

Válassza ki az edények típusának és szennyezettségi fokának legmegfelelőbb programot (lásd *PROGRAMOK ISMERTETÉSE*) az ahhoz tartozó **ELŐZŐ/KÖVETKEZŐ** gombbal. Válassza ki a kívánt opciókat (lásd *OPCIÓK ÉS FUNKCIÓK*). Nem minden opció kompatibilis minden programmal.

6. INDÍTÁS

Indítsa el a mosogatósi programot: ehhez nyomja meg a **INDÍTÁS/Szünet** gombot (a LED világít), és 4 mp-en belül csukja be az ajtót. A program indulásakor egy sípolás hallatszik. Ha az ajtót nem csukja be 4 másodpercen belül, riasztás hallható. Ilyen esetben nyissa ki az ajtót, nyomja meg a **INDÍTÁS/Szünet** gombot, majd csukja vissza az ajtót 4 mp-en belül.

7. A MOSOGATÁSI CIKLUS VÉGE

A mosogatósi ciklus végén hangjelzés hallható, illetve a kijelzőn az **END** (VÉGE) üzenet jelenik meg. Nyissa ki az ajtót, és kapcsolja ki a készüléket az **BE/KI** gombbal.

Az égési sérülések elkerülése érdekében az edények kipakolása előtt várjon néhány percet. Vegye ki az edényeket. Először az alsó kosarat ürítse ki.

A mosogatószer-adagoló automatikusan kinyílik, amikor a program az adott szakaszba ér.

A nem mosogatógéphez készült mosogatószer használata a készülék hibás működését vagy sérülését okozhatja.

FOLYAMATBAN LÉVŐ PROGRAM MÓDOSÍTÁSA

Ha nem megfelelő programot választott, az közvetlenül az indulás után még módosítható. **Újraindítás** a készüléket: nyomja meg és tartsa lenyomva 3 mp-nél hosszabban az **BE/KI** gombot, ekkor a készülék kikapcsol. **A kijelzőn a „0:01” érték látható.** Csukja be az ajtót, és várjon, amíg a leeresztési ciklus véget ér (kb. 1 perc). Nyissa ki az ajtót, és kapcsolja vissza a készüléket az **BE/KI** gombbal, majd válassza ki az új mosogatósi programot és a kívánt opciókat. A program indításához nyomja meg a **INDÍTÁS/Szünet** gombot, és 4 mp-en belül csukja be az ajtót.

TOVÁBBI EDÉNYEK HOZZÁADÁSA

A készülék kikapcsolása nélkül nyissa ki az ajtót óvatosan, hogy ne folyhasson ki a víz (a **INDÍTÁS/Szünet** LED villogni kezd) (**Vigyázat! Forró gőz!**), majd helyezze be az edényeket a mosogatógépbe. Nyomja meg a **INDÍTÁS/Szünet** gombot, és 4 mp-en belül csukja be az ajtót: a program onnan folytatódik, ahol korábban megszakította azt.

VÉLETLEN MEGSZAKÍTÁS

Ha a mosogatósi program futása közben kinyitják az ajtót, vagy elmegy az áram, a program leáll. **AMENNYIBEN MEGNYOMJA** a **INDÍTÁS/Szünet** gombot és 4 mp-en belül becsukja az ajtót, a program onnan folytatódik, ahol korábban megszakította azt.

TANÁCSOK ÉS TIPPEK

TANÁCSOK

A kosarak megtöltése előtt távolítsa el az ételmaradékokat az edényekről, és ürítse ki a poharakat. **Mosogató előtt nem szükséges folyó vízzel leöblíteni az edényeket.**

Az edényeket úgy rendezze el, hogy biztosan álljanak, ne dőljenek el könnyen. Az edények nyílása lefelé nézzen, és a homorú/domború részek ferdén álljanak, hogy a víz mindenhova elérjen, és akadálytalanul folyhasson. **Vigyázat!** A fedők, fogantyúk, tálak és serpenyők nem állítják meg a forgó szűrőkarokat.

A kisebb tárgyakat az evőeszközosárba helyezze. Az erősen szennyezett edényeket az alsó kosárba kell helyezni, mivel ott erősebb a vízpermet, azaz jobb a mosogatósi eredmény. A készülék megtöltése után ellenőrizze, hogy a szűrőkarok forgását nem akadályozza-e valami.

GÉPBE NEM MOSOGATHATÓ EDÉNYEK

- Fából készült edények és evőeszközök.
 - Kényes, díszes poharak, kézműves és antik edények. Ezek a díszítések nem bírják a gépi mosogatót.
 - Szintetikus anyagból készült részek, amelyek nem bírják a magas hőmérsékletet.
 - Réz- és bádogedények.
 - Hamuval, viasszal, kenőzsírral vagy tintával szennyezett edények.
- A poharakon lévő díszítés és az alumínium- vagy ezüstedények színe megváltozhat, kifakulhat a mosogató során. Egyes üvegtípusok (pl. kristályüveg) néhány mosogatósi ciklus után homályossá válhatnak.

A POHARAK ÉS AZ EDÉNYEK KÁROSODÁSA

- A készülékbe kizárólag olyan üveg- és porcelánedények helyezhetők, amelyek a gyártó állítása szerint mosogatógépben mosogathatók.
- Az edényekhez megfelelő, kímélő mosogatószert használjon.
- Az edényeket és az evőeszközöket a mosogatósi ciklus végeztével azonnal vegye ki a mosogatógépéből.

A POHARAK ÉS AZ EDÉNYEK KÁROSODÁSA

- Ha a háztartási mosogatógépet a gyártó utasításainak megfelelően használják, az edények mosogatógépben történő mosogatója általában **KEVESEBB ENERGIÁT és vizet igényel, mint a kézi mosogató.**
- A mosogatógép hatékonyságának maximalizálásához javasolt a **mosogatósi programot a mosogatógép teljes betöltése után indítani.** Ha a háztartási mosogatógépet a gyártó által jelzett kapacitásig tölti fel, azzal energiát és vizet takaríthat meg. Az edények helyes betöltésével kapcsolatos információt a **KOSARAK MEGRAKODÁSA** című fejezetben talál. Részleges betöltés esetén javasolt a megfelelő mosogatósi beállítást (Fél töltet / Zónamosogató / Multizone) használni, ha lehetséges, csak a kijelölt kosarakat használva. A mosogatógép helytelen betöltése vagy túltöltése fokozhatja az erőforrások (például víz, energia és idő) felhasználását, megnövelheti a zajszintet, és csökkentheti a mosogatósi és szárítási teljesítményt.
- Az edények manuális előöblítése megnövekedett víz- és energiafogyasztást eredményezhet, és nem javasolt.

HIGIÉNYIA

A mosogatógépben keletkező kellemetlen szag és lerakódások elkerülése érdekében legalább havonta egyszer futtasson le egy magas hőmérsékletű programot. Használjon egy teáskanál mosogatószert, és a készülék tisztításához futtassa le a programot edények nélkül.

FAGYTÜRÉS

Ha a készüléket fagynak kitett helyen tárolják, **teljesen le kell eresztetni.** Zárja el a vízcsapot, vegye le a be- és kimeneti tömlőket, és engedje le teljesen a vizet. **Ellenőrizze, hogy a sótartályban lévő vízlágyító biztosan tele van-e oldott regenerációsóval:** így védhető meg a készülék a -20 °C-nál hidegebb hőmérséklettől. Ha a készüléket fagyos körülmények között tárolták, az első indítás előtt **legalább 24 órára** min. 5 °C-os környezeti hőmérsékletre kell helyezni.

PROGRAMTÁBLÁZAT

Program	A programok bemutatása	Szárítási fázis	NaturalDry	Választható beállítások *)	A mosogatási program időtartama (óra:perc)**	Vízfogyasztás (liter/ciklus)	Energiafogyasztás (kWh/ciklus)
P1 Eco	Öko 50° - Az energiatakarékos programmal átlagosan szennyezett edényeket tisztíthat, amely a kombinált energia- és vízfogyasztása miatt a leghatékonyabb program, és a segítségével kiértékelhető, hogy a készülék megfelel-e az EU energiatakarékos kivitelre vonatkozó jogszabályának.	✓	✓	POWER CLEAN 1/2 + ↻	3:30	9,5	0,76
P2	Auto Intenzív 65° - Erősen szennyezett edények és serpenyők mosogatásához.	✓	✓	POWER CLEAN 1/2 + ↻	2:25-3:10	15,5-24,5	1,30-1,70
P3	Auto Vegyes 55° - Automatikus program normál szennyezettségű edényekhez, melyeken rászáradt ételmaradék található.	✓	✓	POWER CLEAN 1/2 + ↻	1:20-3:00	7,5-19,5	0,75-1,20
P4	Auto Gyors 50° - Automatikus program normál és enyhe szennyezettségű edényekhez. Mindennap használható program, amely rövidebb idő alatt is optimális mosogatási és szárítási eredményt nyújt.	✓	✓	POWER CLEAN 1/2 + ↻	1:00-1:50	7,5-15,5	0,70-1,10
P5	Gyors 45° - Ez a program olyan kevés és enyhén szennyezett edényekhez használható, amelyeken nem található rászáradt étel. Nem tartalmaz szárítási szakaszt.	-	✓	1/2 + ↻	0:30-0:40	10-12	0,55-0,65
P6	Üveg 45° - Program az olyan kényes edényekhez, melyek az átlagnál érzékenyebbek a magas hőmérsékletre.	✓	✓	1/2 + ↻	1:40-1:50	12,5-16,5	0,95-1,20
P7	Halk 55° - Ha a készüléket éjszaka kívánja működtetni, ez a megfelelő program. Az optimális teljesítmény garantált.	✓	✓	+ ↻	3:50-4:10	10,5-14,5	0,80-1,15
P8	Fertőtlenítő 65° - Normál vagy erősen szennyezett edényekhez használható program, amely egy kiegészítő antibakteriális mosogatást is tartalmaz.	✓	-	POWER CLEAN 1/2 + ↻	1:55-2:10	12-19	1,40-1,80
P9	Előmosogatás - Ezt a programot olyan edényekhez használhatja, amelyeket később szeretne elmosogatni. Ehhez a programhoz nem kell mosogatószert használni.	-	✓	1/2 ↻	0:12	4,5	0,10
P10	Öntisztítás 65° - A mosogatógép karbantartására szolgáló programot csak akkor alkalmazza, ha a mosogatógép ÜRES, valamint használjon a mosogatógép karbantartására alkalmas, speciális tisztítószert.	-	-	↻	1:15	11,0	1,10

Az ÖKO program adatainak mérése laboratóriumi körülmények között, az EN 60436:2020 európai szabvány előírásainak megfelelően történt. Megjegyzés a vizsgálati laboratóriumok számára: az EN összehasonlító vizsgálatának körülményeivel kapcsolatos információkért írjon a következő címre: dw_test_support@whirlpool.com.

Az edények előkezelése egyik programnál sem szükséges.

*) Nem minden opció használható egyszerre.

**) Az energiatakarékos programtól eltérő programokhoz megadott értékek csak tájékoztató jellegűek. A tényleges időtartam számos tényezőtől függ, mint például a belépő víz hőmérsékletétől és nyomásától, a helyiség hőmérsékletétől, a mosogatószert mennyiségétől, az edények mennyiségétől és típusától, a súlyelosztástól, a kiválasztott kiegészítő funkcióktól és az érzékelő kalibrációjától. Az érzékelő kalibrációja akár 20 perccel is növelheti a program hosszát.

OPCIÓK ÉS FUNKCIÓK

Az OPCIÓK a program kiválasztása után kiválaszthatók/törölhetők a megfelelő gomb megnyomásával (ha van – kigyullad a jelzőfény) (lásd KEZELŐPANEL). Ha valamely opció nem kompatibilis a kiválasztott programmal (lásd: PROGRAMOK TÁBLÁZATA), a megfelelő LED háromszor gyorsan felviláglik, és sípoló hangjelzések hallhatók. Az opció nem aktív. Az opciók a program időtartamának, illetve víz- és energiafogyasztásának módosítására szolgálnak.

POWER CLEAN® - Mivel ez a program további szűrőfejeket is aktivál, a mosogatás az alsó kosár egy bizonyos területén jóval erőteljesebb. Ez az opció lábasok és tálak mosogatásához ajánlott (Lásd a Power Clean® betöltése részt).

FÉL TÖLTET - Ha nincs sok mosogatnivaló, akkor a víz, az áram és a mosogatószer megtakarítása érdekében használja a FÉL TÖLTET opciót.

Ne feledje, hogy ilyenkor csökkentett mennyiségű mosogatószert kell használni.

EXTRA SZÁRAZ - Ha az utolsó öblítés magasabb hőmérsékleten történik és a szárítás hosszabb ideig tart, azzal növelhető a szárítás hatékonysága. Az EXTRA SZÁRAZ opció kiválasztásakor nő a mosogatási ciklus hossza.

KÉSLELTETÉS - A program indítását 30 perctől 24 óráig terjedő időtartamig késleltetheti.

- Válassza ki a programot és a tetszőleges opciókat. A program indításának késleltetéséhez nyomja meg (többször) a KÉSLELTETÉS gombot. 30 perc és 24 óra közötti időtartam állítható be. Amikor a 24 órás időtartamot eléri, nyomja meg még egyszer a KÉSLELTETÉS gombot a KÉSLELTETÉS funkció kikapcsolásához.
- Nyomja meg a **INDÍTÁS/Szünet** gombot, és zárja be az ajtót 4 másodpercen belül. Az időzítő elkezdja a visszaszámlálást.
- A beállított idő leteltekor kialszik a jelzőfény, és automatikusan elindul a program.

KÉSLELTETÉS funkció nem állítható be, ha a program már fut.

ÉRZÉKELÉS - Miközben az érzékelő a szennyezettség fokát méri, animáció látható a kijelzőn (kb. 20 percig), és a program időtartama frissül. Az érzékelő funkció az edények szennyezettségi mértékének meghatározására szolgál, és minden programnál használható (az Öko kivételével): a szükséges mértékben módosítja a programot.

A VÍZCSAP ZÁRVA VAN - A figyelmeztetés villog, ha nincs belépő víz, vagy el van zárva a vízcsap.

PADLÓFÉNY - A padlóra vetített LED-fény jelzi, hogy a mosogatógép működik. Egy program végén a fény kialszik. Ez a funkció alapértelmezés szerint aktív, de a „BEÁLLÍTÁSOK MENÜ” ki lehet kapcsolni.

NaturalDry - Olyan konvekciós szárítórendszer, amely automatikusan kinyitja az ajtót a szárítási fázis közben/után a folyamatos, kiemelkedően jó szárítási eredmény érdekében. Az ajtó csak olyan hőmérsékleten nyílik ki, amely nem károsítja a konyhaszekrényeket.

A gőz ellen további védelmet nyújt a mosogatógéphez mellékel, külön erre a célra tervezett védőfólia.

A védőfólia felhelyezésének lépéseit az ÜZEMBE HELYEZÉSI ÚTMUTATÓBAN találja.

Ez a funkció alapértelmezés szerint aktív, de a „BEÁLLÍTÁSOK MENÜ” ki lehet kapcsolni.

VÍZKÖMENTESÍTÉS - Riasztás - A készülék belső alkatrészein vízkölerakódás érzékelhető. **Ellenőrizze**, hogy a vízkeménység beállítása megfelelő értékű-e, és hogy a sótartályban van-e só (lásd **ELSŐ HASZNÁLAT**), majd használja a **vízkezelő terméket** (a WPro márka javasolt) **Öntisztítási programmal**. Sikeres vízkömentesítés után az ikon eltűnik.

Ha nem hajtja végre a fenti műveleteket, a készülék teljesítménye csökkenni fog. A kijelzőn villogni kezd a **Vízkömentesítés** figyelmeztetés, és megjelenik a «DES» riasztás. Ha továbbra sem végzi el a vízkömentesítést, a készülék csak bizonyos számú ciklus indítását fogja engedélyezni (a «DES» riasztással együtt jelenik meg), majd **BLOKKOLVA** lesz az alkatrészek sérülésének megelőzése érdekében, és csak az **Öntisztítási program lesz használható**. A teljes vízkömentesítés végrehajtásával feloldja a készülék blokkolását. Ha rendkívül nagy mennyiségű vízkö rakódott le, előfordulhat, hogy a vízkömentesítést kétszer kell végrehajtani a megfelelő hatékonyság érdekében.

KEDVENC PROGRAM - A kedvenc program menthető és egyszerűen elérhető. Keresse meg a programot a **ÉLŐZŐ/KÖVETKEZŐ** gombbal, majd 3 másodpercig tartsa nyomva a **KEDVENC PROGRAM** gombot.

A KOSARAK MEGTÖLTÉSE

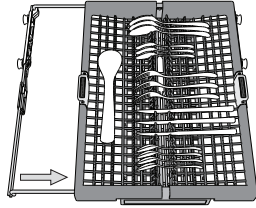
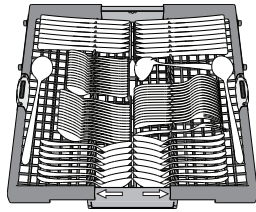
KAPACITÁS: 15 standard étkezéslet

EVŐESZKÖZTARTÓ

A harmadik kosár az evőeszközök bepakolására szolgál. Az evőeszközöket az ábrán látható módon helyezze el. A külön gyűjtött evőeszközök a mosogatás után könnyebben kivehetők, valamint így a mosogatási és szárítási eredmény is javul.

A késeket és egyéb éles eszközöket élükkel lefelé rakja a kosárba. A kosarat mindig az alsó kosár elejére helyezze.

Az evőeszközkosárban található két állítható magasságú rekesz, melyek segítségével kihasználható a rendelkezésre álló alsó tér, és magasabb edények helyezhetők a felső kosárba.

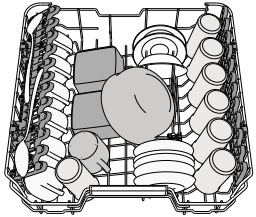


FELSŐ KOSÁR

Ide helyezhetők a kényesebb és könnyű edények, például poharak, csészék, tálkák, kis salátástálak.

A felső kosár lehajtható tartóelemekkel rendelkezik: függőleges helyzetbe állítva csészealjkat, kistányérokat, leengedett helyzetbe állítva pedig tálakat, ételtartókat pakolhat be.

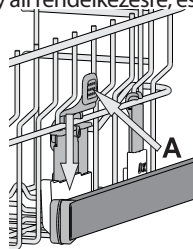
(példa a megtöltött felső kosárra)



A felső kosár magasságának beállítása

A felső kosár magassága állítható. Ha a felső állásba állítja, az alsó kosárba nagyobb edények helyezhetők; ha az alsó állásba állítja, maximálisan kihasználhatók a lehajtható rögzítőelemek: függőlegesen több hely áll rendelkezésre, és az alsó kosárba pakolt edényeknek is elegendő hely jut.

A **felső kosár magasságbeállítóval** rendelkezik (lásd az ábrát). Magasabbra állításához fogja meg a kosár két oldalát, és az emelőkarok megnyomása nélkül emelje azt feljebb. A kosár a felső helyzetbe áll. Az alsó helyzetbe állításához nyomja meg a kosár két oldalán lévő emelőkarokat A, és tolja lefelé a kosarat.



Kifejezetten javasoljuk, hogy ne módosítsa a kosár magasságát akkor, amikor a kosárban edények találhatók.

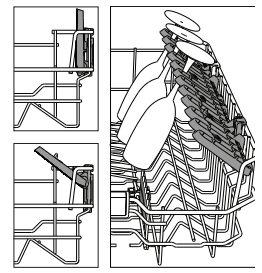
A kosár lejjebb vagy feljebb helyezésekor SOHA ne csak az egyik oldal magasságát módosítsa.

Állítható magasságú lehajtható polcok

A kosárban lévő edények optimális elrendezése érdekében az oldalsó polcok fel- és lehajthatók. A borospoharak biztonságosan helyezhetők a lehajtható polcokra: a poharak talpát illesse a megfelelő nyílásokba.

Készüléktypustól függően:

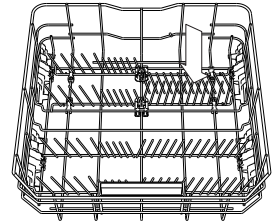
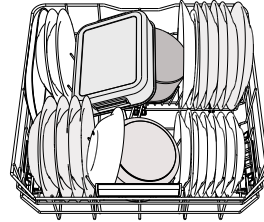
- a polcok lehajtásához csúsztassa azokat fel és forgassa el, vagy vegye ki a rögzítőből és húzza lefelé.
- a polcok felhajtásához forgassa azokat el és csúsztassa lefelé, vagy húzza felfelé és rögzítse.



ALSÓ KOSÁR

Ide fazekak, fedők, tányérok, salátástálak, evőeszközök stb. pakolhatók. A nagyobb tányérokat és fedőket lehetőség szerint a kosár szélére helyezze, hogy biztosan ne érjenek a szórókarokhoz.

Az alsó kosár lehajtható tartóelemekkel rendelkezik: függőleges helyzetbe állítva tányérokat, vízszintes (leengedett) helyzetbe állítva pedig tálakat, lábasokat pakolhat be egyszerűen.



(példa a megtöltött alsó kosárra)

POWER CLEAN®

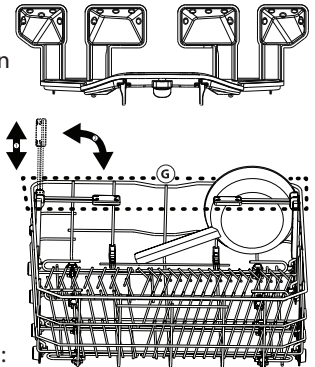
A Power Clean® során a készülék a mosogatótér hátsó része felől érkező vízsugarak segítségével intenzívebben mossa el az erősen szennyezett edényeket. Az alsó kosárban található egy ún. nagyterületű zóna (Power Clean® támogatás).

Ez a speciális, kihúzható tartóelem a kosár hátsó részén található, és lehetővé teszi a serpenyők és tepsik függőleges helyzetben történő elhelyezését, amivel hely takarítható meg.

Helyezze be a gépbe a fazekakat/tálakat úgy, hogy a Power Clean® berendezés felé nézzenek, majd kapcsolja be a kezelőpanelen a **POWER CLEAN®** opciót.

A Power Clean® funkció használata:

1. Készítse elő a Power Clean® területet (G): hajtse le a hátsó tányértartókat, hogy beférjenek az edények.
2. Tegye be a fazekakat és a tálakat úgy, hogy a Power Clean® terület felé dőljenek. A fazekakat a nagynyomású vízsugarak felé kell megdönteni.



ÁPOLÁS ÉS KARBANTARTÁS

A SZŰRŐEGYSÉG TISZTÍTÁSA

Rendszeresen tisztítsa ki a szűrőegységet, így megelőzhető a szűrők eltömődése, és a víz szabadon tud távozni.

Ha a mosogatógép használata során a szűrők el vannak tömődve, illetve ha a szűrőrendszerben vagy a szórókarokban tárgyak vannak, az a berendezés nem megfelelő működését okozhatja, ami a teljesítmény csökkenését, zajos működést vagy nagyobb erőforrás-felhasználást eredményezhet.

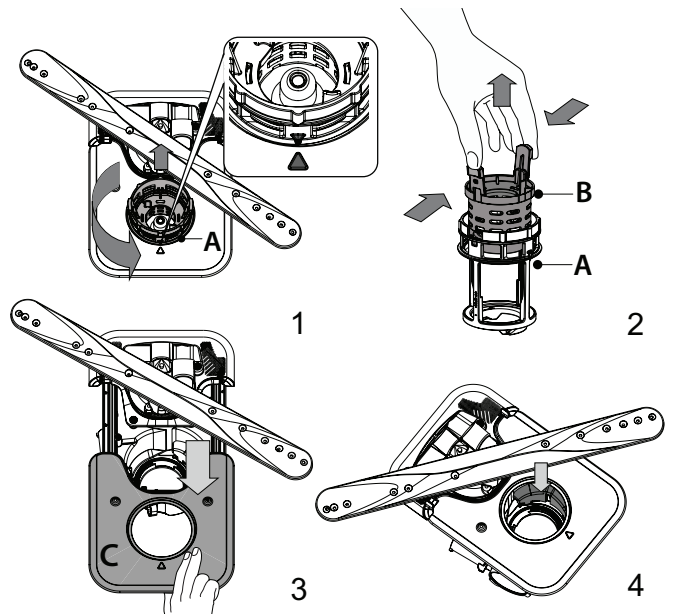
A szűrőegység három szűrőből áll, amelyek eltávolítják az ételmaradékokat a mosogatóvízből, majd visszaforgatják a vizet.

A mosogatógép nem használható szűrők nélkül vagy meglazult szűrővel.

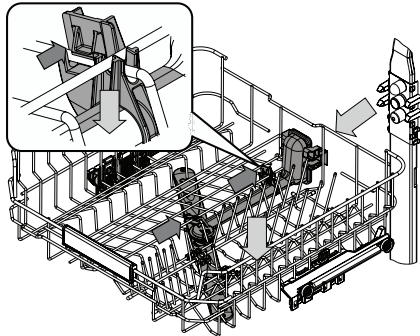
Havonta legalább egyszer vagy 30 programonként ellenőrizze a szűrőegységet, és szükség esetén tisztítsa meg alaposan folyó víz alatt, nemfémes kefével, az alábbi utasításoknak megfelelően:

1. Forgassa a henger alakú szűrőt **A** az óramutató járásával ellentétes irányba, majd húzza ki (1. ábra). **A szűrő visszahelyezésekor fontos, hogy a képen lévő két háromszög pontosan illeszkedjen.**
2. Vegye ki a kehely alakú szűrőt **B** úgy, hogy enyhén megnyomja az oldalsó tüleket (2. ábra).
3. Csúsztassa ki a rozsdamentes acélból készült szűrőlemez **C** (3. ábra).
4. Ha idegen tárgyat (például törött üveget, porcelánt, csontot, gyümölcsmagot stb.) talál, **óvatosan távolítsa el azt.**
5. Ellenőrizze a szűrőrészt, és távolítsa el az ételmaradékokat. **SOHA NE TÁVOLÍTSA EL** a mosogatóciklust végző pumpa védőfedelét (nyíl jelzi) (4. ábra)!

A szűrők tisztítása után helyezze vissza a szűrőegységet, és rögzítse megfelelően a helyére. Ez elengedhetetlen a mosogatógép hatékony működéséhez.

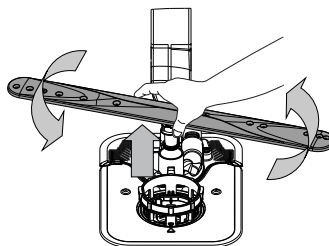


A SZÓRÓKAROK TISZTÍTÁSA

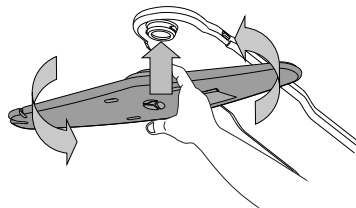


Időnként ételmaradék száradhat a szórókarokra, és eltömítheti a víz permepezésére szolgáló nyílásokat. Ezért javasoljuk, hogy rendszeresen ellenőrizze a szórókarokat, és tisztítsa meg azokat egy kisméretű, nem-fémes kefével.

A felső szórókar az elosztóval együtt vehető le.



Az alsó szórókart felfelé húzva és az óramutató járásával ellentétes irányba elforgatva lehet kivenni a helyéről. A szórókart lefelé húzva és az óramutató járásával megegyező irányba elforgatva lehet visszaszerelni.



A felső szórókart felfelé nyomva és az óramutató járásával ellentétes irányba elforgatva lehet kivenni a helyéről. A szórókart felfelé húzva és az óramutató járásával megegyező irányba elforgatva lehet visszaszerelni.

HIBAELHÁRÍTÁS

Ha a mosogatógép nem megfelelően működik, ellenőrizze, hogy a probléma javítható-e az alábbi lista lépéseinek végrehajtásával. Más hibák vagy problémák esetében lépjen kapcsolatba a hivatalos vevőszolgálattal, amelynek kapcsolattartási adatai a garanciafüzetben találhatóak. A pótalkatrészek akár 7, akár 10 évig is rendelkezésre állnak, az adott rendelet követelményeinek megfelelően.

HIBA	LEHETSÉGES OK	MEGOLDÁS
A sómennyiségre figyelmeztető jelzőfény világít.	A sótartály hamarosan kiürül.	Töltse fel a tartályt sóval (további információ: lásd A SÓTARTÁLY FELTÖLTÉSE). Szükség esetén ellenőrizze a beállított vízkeménységet (lásd VÍZKEMÉNYSÉGI TÁBLÁZAT).
A sómennyiségre figyelmeztető jelzőfény villog.	A sótartály üres.	Minél hamarabb töltse fel a tartályt sóval. A készülék só nélkül történő használata károsíthatja annak belső alkatrészeit.
Az öblítőszer mennyiségére figyelmeztető jelzőfény világít vagy villog.	Az öblítőszer-adagoló üres. (Előfordulhat, hogy az öblítőszer mennyiségére figyelmeztető jelzőfény feltöltés után is világít egy rövid ideig).	Töltse fel a tartályt öblítőszerrel (további információ: - lásd AZ ÖBLÍTŐSZER-ADAGOLÓ FELTÖLTÉSE).
A vízkömentesítésre figyelmeztető jelzőfény világít vagy villog; a „dES” figyelmeztetés látható a kijelzőn.	A készülék belső alkatrészei vízkövesednek.	Azonnal vízkömentesítse a készüléket az Öntisztítás programmal és a kereskedelmi forgalomban kapható vízkömentesítő szerrel (lásd OPCÍÓK ÉS FUNKCIÓK). Töltse fel a tartályt sóval. Ellenőrizze a vízkeménységre vonatkozó beállítást. Ha nem végez vízkömentesítést, a készülék le fog állni.
A mosogatógép nem indul vagy nem reagál a parancsokra.	Nem megfelelően csatlakoztatta a készüléket.	Csatlakoztassa a dugót a hálózati aljzatba.
	Áramkimaradás.	Biztonsági okokból a mosogatógép nem indul újra automatikusan az áramellátás helyreállásakor. Nyissa ki a mosogatógép ajtaját, nyomja meg a INDÍTÁS/Szünet gombot, majd 4 másodpercen belül csukja be az ajtót.
	Nincs bezárva a mosogatógép ajtaja. Nincs bepattintva az NaturalDry fül.	Erőteljesen nyomja be az ajtót, amíg kattantást nem hall.
	A program megszakadt, mivel az ajtót 4 mp-nél hosszabban nyitva tartották.	Nyomja meg a INDÍTÁS/Szünet gombot, és csukja be az ajtót 4 mp-en belül.
A mosogatógép nem eresztí le a vizet. A kijelzőn látható érték: F7 E3 vagy F9 E1	Az ételmaradék vagy vízkő eltömítette a szűrőt.	Tisztítsa ki a szűrőt, és vízkömentesítse a készüléket (lásd A SZÜRŐEGYSÉG TISZTÍTÁSA és VÍZKÖMENTESÍTÉSI ÚTMUTATÓ).
	Meghajlott a leeresztő tömlő.	Ellenőrizze a leeresztőtömlőt (lásd BESZERELÉSI ÚTMUTATÓ).
	Eltömődött a mosogató lefolyócsöve.	Tisztítsa meg a mosogató lefolyócsövét.
A mosogatógép túl hangosan működik.	Az edények egymáshoz ütődnek.	Megfelelően helyezze be az edényeket (lásd A KOSARAK MEGTÖLTÉSE).
	Túl sok hab képződött.	Nem megfelelően mérte ki a mosogatószert, vagy az nem használható mosogatógépben (lásd A MOSOGATÓSZER-ADAGOLÓ FELTÖLTÉSE). Indítsa el újra az aktuális programot az BE-KI gombbal, majd kapcsolja be ismét a készüléket, válasszon egy új programot, nyomja meg a INDÍTÁS/Szünet gombot, és csukja be az ajtót 4 másodpercen belül. Ne töltsön bele mosogatószert.
	Nem megfelelően rendezte el az edényeket.	Rendezze el megfelelően az edényeket (lásd A KOSARAK MEGTÖLTÉSE).
	Az ételmaradék vagy vízkő eltömítette a szűrőt.	Tisztítsa ki a szűrőegységet (lásd ÁPOLÁS ÉS KARBANTARTÁS).
Az edények nem tiszták.	Nem megfelelően rendezte el az edényeket.	Rendezze el megfelelően az edényeket (lásd A KOSARAK MEGTÖLTÉSE).
	A szórókarok nem forognak szabadon, mivel az edények útban vannak.	Rendezze el megfelelően az edényeket (lásd A KOSARAK MEGTÖLTÉSE). Ellenőrizze, hogy megfelelő-e a felső kosár helyzete, és szükség esetén igazítsa meg (emelje meg).
	A mosogatási ciklus túlzottan kímélő.	Válasszon megfelelő mosogatási programot (lásd PROGRAMTÁBLÁZAT).
	Túl sok hab képződött.	Nem megfelelően mérte ki a mosogatószert, vagy az nem használható mosogatógépben (lásd A MOSOGATÓSZER-ADAGOLÓ FELTÖLTÉSE).
	Nem megfelelően zárta vissza az öblítőszer rekeszének fedelét.	Zárja vissza az öblítőszer-adagoló kupakját.
	Az ételmaradék vagy vízkő eltömítette a szűrőt.	Tisztítsa ki a szűrőt, és vízkömentesítse a készüléket (lásd A SZÜRŐEGYSÉG TISZTÍTÁSA).
A sótartály üres.	Töltse fel a tartályt (lásd A SÓTARTÁLY FELTÖLTÉSE).	

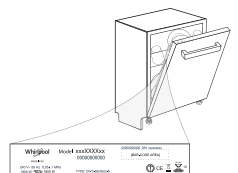
HIBA	LEHETSÉGES OK	MEGOLDÁS
A készülék nem vesz fel vizet. A kijelzőn látható érték: világító H2O ; hangjelzés hallatszik.	Nem jön víz a vízvezetékéből, vagy el van zárva a vízcsap.	Ellenőrizze, hogy jön-e víz a vízvezetékéből, és a vízcsap nyitva van-e.
	Meghajlott a vízbevezető tömlő.	Ellenőrizze a vízbevezető tömlőt (lásd BESZERELÉS). Nyissa ki a mosogatógép ajtaját, nyomja meg a INDÍTÁS/Szünet gombot, majd 4 másodpercen belül csukja be az ajtót.
	Eltömődött a vízbevezető tömlőben lévő szűrő. Ki kell tisztítani.	Ellenőrizze és tisztítsa ki a vízbevezető tömlőben lévő szűrőt. Nyissa ki a mosogatógép ajtaját, nyomja meg a INDÍTÁS/Szünet gombot, majd 4 másodpercen belül csukja be az ajtót.
A mosogatógép túl hamar fejezi be a programot. A kijelzőn látható érték: F8 E3	Az ételmaradék vagy vízkő eltömítette a szűrőt.	Tisztítsa ki a szűrőt, és vízkőmentesítse a készüléket (lásd A SZŪRŐEGYSÉG TISZTÍTÁSA és VÍZKŐMENTESÍTÉSI ÚTMUTATÓ).
	A leeresztőtömlő túl alacsonyan van, vagy a háztartási szennyvízrendszerbe ereszti a vizet.	Ellenőrizze, hogy a leeresztőtömlő vége megfelelő magasságban van-e (lásd BESZERELÉS). Ellenőrizze, hogy a rendszer a háztartási szennyvízrendszerbe ereszti-e a vizet, és szükség esetén szereljen be visszacsapó/légbeszívó szelepet.
	Túl sok hab képződött.	Nem megfelelően mérte ki a mosogatószert, vagy az nem használható mosogatógépben (lásd A MOSOGATÓSZER-ADAGOLÓ FELTÖLTÉSE).
	Levegő van a vízvezetékben.	Ellenőrizze a tömlőt és a tömitéseket, hogy nem szívárognak-e valahol.
Az edények nem kellően szárazak.	Elfogyott vagy nem elegendő az öblítőszer.	Ellenőrizze, hogy fel van-e töltve az öblítőszer-adagoló (lásd AZ ÖBLÍTŐSZER-ADAGOLÓ FELTÖLTÉSE). A többfunkciós tabletták önmagukban nem biztosítanak olyan jó szárítási eredményt, mint a folyékony öblítőszer.
	Az edényeket az ajtó automatikus nyitása után kipakolták, de ekkor még nem fejeződött be a folyamatban lévő program.	Az edények kipakolása előtt ellenőrizze, hogy befejeződött-e a program (lásd MINDENNAPI HASZNÁLAT). A még jobb szárítási eredményért javasoljuk, hogy hagyja nyitva a mosogatógép ajtaját, és hagyja a készülékben az edényeket a program lejártától számított 15 percig.
	Túl egyenesen behelyezett edények.	Ha víz van a bögrék, poharak, tálak mélyedéseiben, próbálja megdöntve behelyezni az edényeket (különösen a felső rekesz esetén), így több víz le tud csöpögni a szárítás előtt.
	A kiválasztott programban nincs szárítási szakasz.	Ellenőrizze a PROGRAMTÁBLÁZATBAN , hogy a választott program tartalmaz-e szárítási szakaszt. Előfordulhat, hogy a szárítási szakasz nélküli programok nem a kívánt szárítási eredményt nyújtják, ezért javasolt szárítási szakasszal rendelkező programot választani.
Az edények tapadásmentes anyagból vagy műanyagból készültek.	Normális jelenség, ha az ilyen anyagokon vízcseppek láthatók.	
Az edényeken és a poharakon kék csíkok vagy kékes elszíneződés látható.	A készülék túl sok öblítőszer adagol.	Állítsa alacsonyabb fokozatra az adagolást.
Az edényeken és a poharakon vízkő vagy fehér réteg látható.	A sótartály üres.	Minél hamarabb töltsse fel a tartályt sóval. A készülék só nélkül történő használata károsíthatja annak belső alkatrészeit.
	Túl alacsony szintre van állítva a vízkeménység.	Állítson be magasabb szintet (lásd VÍZKEMÉNYSÉGI TÁBLÁZAT).
	A sótartály kupakja nem megfelelően lett visszazárva.	Ellenőrizze és zárja vissza a sótartály kupakját.
Az öblítőtartály üres, vagy a készülék nem elegendő öblítőszer adagol.	Töltsse fel a tartályt öblítőszerrel, és ellenőrizze az adagolási beállítást (további információ: lásd AZ ÖBLÍTŐSZER-ADAGOLÓ FELTÖLTÉSE).	
A mosogatógép kijelzőjén az F8 E5 érték látható	Eltömődött vagy hibás szelep.	Ha lehetséges, zárja el a vízcsapot. Ne szüntesse meg a tápellátást. Hívja a vevőszolgálatot.



A szabályzatok, a szabványos dokumentáció, a tartalékalkatrészek rendelése és a termékkel kapcsolatos további információk az alábbi elérhetőségeken található:

- A QR-kód segítségével és látogasson el a: docs.whirlpool.eu
- Látogasson el a: parts-selfservice.whirlpool.com
- Vagy vegye fel a **kapcsolatot a vevőszolgálattal** (a telefonszámot lásd a garanciafüzetben). Amennyiben a vevőszolgálathoz fordul, kérjük, adja meg a termék adattábláján feltüntetett kódokat.

A modell adataihoz olvassa be az energiafogyasztást jelölő címkén található QR-kódot. A címkén található modellazonosító segítségével használható a regisztrációs portál <https://eprel.ec.europa.eu>.





GRAZIE PER AVER ACQUISTATO UN PRODOTTO WHIRLPOOL.

Per ricevere assistenza in modo più completo, registrare il proprio apparecchio sul sito: www.whirlpool.eu/register

Prima di utilizzare l'apparecchio, legga attentamente le Istruzioni di sicurezza e di installazione. Maggiori informazioni sul prodotto disponibili sul sito web: docs.whirlpool.eu

⚠ Dopo l'installazione, ricordarsi di rimuovere tutte le parti di protezione per il trasporto dalla lavastoviglie.

PANNELLO DI CONTROLLO

1. Tasto **ACCENSIONE/SPEGNIMENTO/Ripristino** con relativa spia
2. Tasto **programma PRECEDENTE**
3. Tasto **programma SUCCESSIVO**
4. Tasto **programma PREFERITO** con relativa spia
5. Spia serbatoio **Sale** vuoto
6. Spia serbatoio **Brillantante Vuoto**
7. Spia **DECALCIFICAZIONE**
8. Spia **Rubinetto Acqua Chiuso**
9. **Display**
10. **Numero di programma** e indicatore di **durata residua**
11. Tasto **opzione Power Clean®** con relativa spia



12. Tasto **opzione di Mezzo Carico** con relativa spia / **Impostazioni** - pressione di 3 sec.
13. Tasto **opzione Extra Asciutto** con relativa spia
14. Tasto **opzione Avvio Ritardato** con relativa spia
15. Tasto **AVVIO/Pausa** con relativa spia

PRIMO UTILIZZO

MENU IMPOSTAZIONI

1. Azionare l'apparecchio premendo il tasto **ACCENSIONE/SPEGNIMENTO**.
2. Tenere premuto il tasto **Impostazioni** (Mezzo Carico) per 3 secondi, finché non si udirà un bip e il display visualizzerà "SEt" (Impostato).
3. Dopo un secondo, verrà visualizzata la prima impostazione disponibile (lettera "h").
4. Premere **PRECEDENTE** / **SUCCESSIVO** per scorrere in avanti e indietro l'elenco delle impostazioni disponibili (vedere la tabella sottostante), quindi premere **AVVIO/Pausa** per visualizzare e modificare il valore dell'impostazione attualmente selezionata.
5. Premere **PRECEDENTE** / **SUCCESSIVO** per modificare in avanti o indietro il valore, quindi premere **AVVIO/Pausa** per salvare il nuovo valore e tornare al menu principale.
6. Per modificare un'altra impostazione, ripetere i punti 4 e 5.
7. Premere **ACCENSIONE/SPEGNIMENTO** o attendere 30 secondi per uscire dal menu.

durezza dell'acqua nell'utenza domestica rivolgendosi al proprio fornitore. L'impostazione di fabbrica è "3". Vedere „TABELLA DELLA DUREZZA DELL'ACQUA”.

Livello	°dH Gradi tedeschi	°fH Gradi francesi	°Clark Gradi inglesi
1 (dolce)	0 - 6	0 - 10	0 - 7
2 (moderatamente dolce)	7 - 11	11 - 20	8 - 14
3 (medio)	12 - 16	21 - 29	15 - 20
4 (dura)	17 - 34	30 - 60	21 - 42
5 (molto dura)	35 - 50	61 - 90	43 - 62

LETTERA	IMPOSTAZIONE	VALORI (Predefinito - in grassetto)
h	Grado di durezza dell'acqua (vedere "IMPOSTAZIONE DELLA DUREZZA DELL'ACQUA" e "TABELLA DELLA DUREZZA DELL'ACQUA")	1 2 3 4 5
i	Livello del brillantante (vedere "REGOLAZIONE DEL DOSAGGIO DI BRILLANTANTE")	0 1 2 3 4 5
j	NaturalDry (vedere "OPZIONI E FUNZIONI") "1" = Accese, "0" = Spente	1 0
k	Luce sul pavimento (vedere "OPZIONI E FUNZIONI") "1" = Accese, "0" = Spente	1 0
l	Segnale acustico "1" = Accese, "0" = Spente	1 0
m	Impostazioni di fabbrica Premere AVVIO/Pausa per ripristinare i valori di fabbrica di tutte le impostazioni incluse nel menu delle impostazioni.	-

Per effettuare modifiche, seguire le istruzioni riportate nella sezione „MENU IMPOSTAZIONI”.

Utilizzare soltanto sale di tipo specifico per lavastoviglie.

Dopo aver versato il sale all'interno della macchina, la spia riempimento SALE si spegne.

La mancanza di sale nel serbatoio potrebbe danneggiare l'addolcitore d'acqua e la resistenza per effetto dell'accumulo di calcare.

L'uso del sale è consigliato con qualsiasi tipo di detersivo per lavastoviglie.

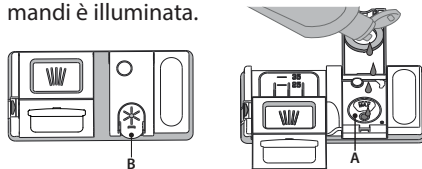
SISTEMA DI ADDOLCIMENTO DELL'ACQUA

L'addolcitore riduce automaticamente la durezza dell'acqua, impedendo la formazione di calcare sulla serpentina e contribuendo a migliorare l'efficienza di lavaggio. **Questo sistema si rigenera con il sale, che deve essere perciò rabboccato quando il serbatoio del sale è vuoto.** La frequenza di rigenerazione dipende dal livello di durezza impostato - con la durezza dell'acqua impostata al livello **3**, la rigenerazione avviene ogni **4-6** cicli Eco. Il processo di rigenerazione avviene all'inizio del ciclo con acqua fresca aggiuntiva.

- Ogni rigenerazione comporta: un consumo di ~3 litri d'acqua;
- Un prolungamento di 5 minuti della normale durata del ciclo;
- Un consumo di energia minore di 0,005 kWh.

RIEMPIIMENTO DEL DISTRIBUTORE BRILLANTANTE

L'utilizzo di brillantante facilita il processo di ASCIUGATURA delle stoviglie. Il distributore di brillantante **A** deve essere riempito ogni volta che a **spia dell'indicatore di RIEMPIIMENTO BRILLANTANTE** sul pannello comandi è illuminata.



1. Aprire il distributore **B** esercitando opportuna pressione e quindi sollevando la linguetta posta sul coperchio.
2. Versare delicatamente il brillantante fino al segno che indica il livello di riferimento

massimo (110 ml), ma evitandone la fuoriuscita. Nel caso in cui ciò si verifichi, asciugare immediatamente il liquido fuoriuscito mediante un panno asciutto.

3. Abbassare il coperchio fino ad avvertire lo scatto che ne segnala la chiusura. **Non versare MAI il brillantante direttamente all'interno della vaschetta.**

Regolazione del dosaggio di brillantante

Se non si è completamente soddisfatti del processo di asciugatura, è possibile regolare la quantità di brillantante da utilizzare.

Per effettuare modifiche, seguire le istruzioni riportate nella sezione „MENU IMPOSTAZIONI”.

Nel caso in cui il livello di brillantante sia impostato su ZERO, il brillantante non viene erogato. In caso di esaurimento del brillantante **la spia BRILLANTANTE INSUFFICIENTE** non è illuminata. A seconda del modello di lavastoviglie è possibile impostare al massimo **6** livelli.

- In presenza di strisce con sfumature blu sulla superficie dei piatti, impostare un livello di dosaggio basso (0-3).
- In presenza di gocce d'acqua o di calcare sulla superficie dei piatti impostare invece dosaggi alti (4-5).

RIEMPIIMENTO DEL SERBATOIO SALE

L'uso di sale previene la formazione di CALCARE sulla superficie dei piatti e sui componenti della macchina.

Il serbatoio del sale si trova nella parte inferiore della lavastoviglie (sotto il cestello inferiore sul lato sinistro).

- È indispensabile che il **serbatoio del sale non sia mai vuoto.**
- È essenziale quindi che il livello di durezza dell'acqua sia stato impostato.
- Il sale deve essere inserito quando **la spia RIEMPIIMENTO SALE** sul pannello comandi è accesa.



1. Togliere il cestello inferiore e svitare il tappo del serbatoio (ruotare in senso antiorario).
2. Sistemare opportunamente l'imbuto (vedere figura) e rifornire il serbatoio del sale fino all'orlo (circa 0,5 kg); Non è inconsueto che l'acqua trabocchi leggermente.
3. **Solo la prima volta: riempire d'acqua il serbatoio del sale.**

4. Togliere l'imbuto ed eliminare qualsiasi residuo di sale dall'areacirconvallante l'apertura.

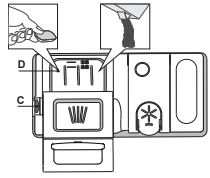
Accertarsi che il tappo sia adeguatamente serrato per evitare l'ingresso di detersivo all'interno della vaschetta durante il programma di lavaggio (ciò potrebbe causare il danneggiamento del dispositivo addolcente senza possibilità di riparazione).

Eseguire un programma ogni volta che si completa il riempimento del serbatoio del sale per evitare la corrosione.

Impostazione della durezza dell'acqua

Per consentire che il dispositivo addolcente dell'acqua agisca al meglio, è essenziale che l'impostazione del livello di durezza dell'acqua tenga conto della sua durezza effettiva nell'utenza domestica. È possibile ottenere il valore di

RIEMPIMENTO DEL DISTRIBUTORE DETERATIVO



Per aprire il distributore detersivo utilizzare il dispositivo di apertura C. Versare il detersivo esclusivamente nel distributore D asciutto. Mettere la dose di detersivo per il prelavaggio direttamente all'interno del distributore.

1. Per il dosaggio corretto del detersivo fare riferimento ai dati sopra riportati. La vaschetta D contiene indicatori di livello per facilitare il dosaggio del detersivo.

2. Eliminare eventuali residui di detersivo dai bordi del distributore e chiudere il coperchio fino ad avvertire lo scatto caratteristico.

3. Chiudere il coperchio del distributore sollevandolo fino a portare il dispositivo di chiusura in sede.

Il distributore del detersivo si apre automaticamente quando previsto dal programma in uso.

L'uso di un detersivo non specifico per lavastoviglie potrebbe causare malfunzionamenti o danni all'apparecchio.

USO QUOTIDIANO

1. VERIFICA DEL COLLEGAMENTO ALLA RETE IDRICA

Verificare che la lavastoviglie sia collegata alla rete idrica e che il rubinetto dell'acqua sia aperto.

2. AZIONAMENTO DELLA LAVASTOVIGLIE

Aprire la porta e premere il tasto **ACCENSIONE/SPEGNIMENTO**.

3. CARICAMENTO DEI CESTELLI (vedere CARICAMENTO DEI CESTELLI).

4. RIEMPIMENTO DEL DISTRIBUTORE DETERATIVO

5. SELEZIONARE IL PROGRAMMA E ADATTARE IL CICLO SECONDO NECESSITÀ

Selezionare il programma più appropriato in base al tipo di stoviglie e al loro livello di sporco (vedere DESCRIZIONE DEI PROGRAMMI) premendo il pulsante **PRECEDENTE/SUCCESSIVO** selezionato.

Selezionare le opzioni richieste (vedere **OPZIONI E FUNZIONI**). Non tutte le opzioni sono compatibili con tutti i programmi.

6. AVVIO

Avviare il ciclo di lavaggio premendo il pulsante **AVVIO/Pausa** (il led è acceso) e chiudendo la porta entro 4 secondi. Quando il programma si avvia, verrà emesso un singolo segnale acustico. Se la porta non viene chiusa entro 4 secondi viene emesso un suono di allarme. In questo caso, aprire la porta, premere il tasto **AVVIO/Pausa** e richiudere la porta entro 4 sec.

7. FINE DEL CICLO DI LAVAGGIO

La fine del ciclo di lavaggio è indicata da un suono e il display visualizza **END (FINE)**. Aprire la porta e spegnere l'apparecchio premendo il pulsante **ACCENSIONE/SPEGNIMENTO**. Per evitare bruciature, prima di togliere le stoviglie attendere pochi minuti. Scaricare i cestelli, iniziando da quello inferiore.

MODIFICA DI UN PROGRAMMA IN ESECUZIONE

Se è stato selezionato un programma sbagliato, è possibile cambiarlo, a condizione che sia appena iniziato. **RESET** della macchina: tenere premuto il pulsante **ACCENSIONE/SPEGNIMENTO** per più di 3 secondi, e la macchina si spegnerà. Il **pannello di controllo mostrerà "0:01"**. Chiudere la porta e attendere il termine del ciclo di scarico (circa 1 minuto). Aprire la porta e riaccendere la macchina usando il pulsante **ACCENSIONE/SPEGNIMENTO** e selezionare il nuovo ciclo di lavaggio e le opzioni desiderate. Avviare il ciclo premendo il pulsante **AVVIO/Pausa** e chiudendo la porta entro 4 secondi.

AGGIUNTA DI STOVIGLIE EXTRA

Senza spegnere la macchina, aprire prima leggermente la porta per evitare che l'acqua fuoriesca (il led **AVVIO/Pausa** inizia a lampeggiare) (**Attenzione! Vapore caldo!**) e mettere le stoviglie nella lavastoviglie. Premere il tasto **AVVIO/Pausa** e chiudere lo sportello entro 4 secondi; il ciclo riprenderà dal punto in cui era stato interrotto.

INTERRUZIONI ACCIDENTALI

Se la porta viene aperta durante il ciclo di lavaggio, o se si verifica un'interruzione di corrente, il ciclo si interrompe. **SOLO SE SI PREME il pulsante AVVIO/Pausa** e si chiude la porta entro 4 secondi, il ciclo riprenderà dal punto in cui è stato interrotto.

AVVISI E CONSIGLI

CONSIGLI

Prima di caricare i cestelli, eliminare tutti i residui di cibo dalle stoviglie e vuotare i bicchieri. **Non occorre il risciacquo sotto acqua corrente prima del caricamento.**

Sistemare le stoviglie in modo che rimangano in sede e non si possano ribaltare; e sistemare le vaschette con le aperture rivolte verso il basso e le parti concave/complesse disposte obliquamente, per consentire all'acqua di lavaggio di raggiungere ogni superficie e scorrervi liberamente.

Avvertenza: coperchi, maniglie, vassoi e padelle non devono ostacolare la rotazione degli aspersori.

Riporre tutti gli oggetti di piccole dimensioni nel cestello portaposate.

Quando molto sporche, riporre piatti e pentole nel cestello inferiore poiché nel relativo settore gli aspersori svolgono un'azione più intensa e consentono migliori prestazioni nel lavaggio.

Una volta completata la procedura di carico, accertarsi che gli aspersori possano ruotare liberamente.

STOVIGLIE DI TIPO NON ADATTO

- Stoviglie e posate in legno.
- Bicchieri decorati, pezzi di artigianato e piatti antichi. Le decorazioni non sono sufficientemente resistenti.
- Componenti in materiali sintetici che non resistono alle temperature elevate.
- Stoviglie in rame e stagno.
- Stoviglie sporche di cenere, cera, grasso lubrificante o inchiostro.

Durante la fase di lavaggio i colori delle decorazioni di bicchieri e pezzi in alluminio/argento possono sbiadire. Alcuni tipi di bicchieri (es. i bicchieri in cristallo) possono divenire opachi anche soltanto dopo un certo numero di lavaggi.

DANNEGGIAMENTO DI BICCHIERI E STOVIGLIE

- Utilizzare soltanto bicchieri e porcellane garantite dal produttore per il lavaggio in lavastoviglie.
- Utilizzare un detersivo delicato e adatto al tipo di stoviglie in questione.
- Togliere i bicchieri e gli altri elementi dalla lavastoviglie non appena sia terminato il ciclo di lavaggio.

CONSIGLI PER IL RISPARMIO ENERGETICO

- Se la lavastoviglie viene usata secondo le istruzioni del produttore, il **lavaggio delle stoviglie a macchina comporta normalmente un MINORE CONSUMO DI ENERGIA e acqua rispetto al lavaggio a mano.**
- Per ottimizzare l'efficienza della lavastoviglie si raccomanda di **avviare il ciclo di lavaggio con l'apparecchio a pieno carico.** Caricando la lavastoviglie fino alla capacità indicata dal produttore si contribuirà a ridurre i consumi d'acqua e di energia. Per informazioni sul caricamento corretto delle stoviglie, leggere la sezione CARICAMENTO DEI CESTELLI. In caso di carico parziale, si raccomanda di usare le apposite opzioni di lavaggio, se disponibili (Mezzo carico/ Zone Wash/ Multizona), caricando solo i cestelli selezionati. Un caricamento non corretto o eccessivo della lavastoviglie può aumentare il consumo di risorse (acqua, energia e tempo, oltre a una maggiore rumorosità) e ridurre le prestazioni di lavaggio e asciugatura.
- Il pre-risciacquo delle stoviglie comporta un maggiore consumo di acqua ed energia e non è consigliato.

IGIENIZZANTE

Per evitare la formazione di cattivi odori e sedimenti vari all'interno della lavastoviglie **avviare un programma che preveda temperature elevate almeno una volta al mese.** Per eseguire la pulizia dell'apparecchio utilizzare un cucchiaino di detersivo e avviare il ciclo in assenza di carico.

RESISTENZA AL GELO

Se l'apparecchio è collocato in un locale esposto al pericolo di gelo, **occorre svuotarlo completamente.** Chiudere il rubinetto dell'acqua e staccare i tubi di alimentazione e di scarico, quindi far defluire l'acqua. **Assicurarsi che l'addolcitore d'acqua sia pieno di sale di rigenerazione disciolto nel relativo contenitore,** per proteggere l'apparecchio da temperature fino a -20°C.

Se l'apparecchio è stato immagazzinato in condizioni di gelo, deve rimanere a una temperatura ambiente di min. 5°C **per almeno 24 ore** prima del primo funzionamento.

TABELLA DEI PROGRAMMI

Programma	Descrizione dei programmi	Fase di asciugatura	NaturalDry	Opzioni disponibili *)	Durata programma di lavaggio (h:min)**)	Consumo d'acqua (litri/ciclo)	Consumo energetico (kWh/ciclo)
P1 Eco	Eco 50° - Il programma è indicato per le stoviglie mediamente sporche; è il programma più efficiente in termini di consumo combinato di acqua ed energia per questo tipo di stoviglie e viene usato per valutare la conformità dell'apparecchio alla legislazione UE in materia di progettazione ecocompatibile.	✓	✓	POWER CLEAN 1/2 + ⌚	3:30	9,5	0,76
P2	Auto Intensivo 65° - Il programma automatico per piatti e pentole molto sporchi.	✓	✓	POWER CLEAN 1/2 + ⌚	2:25 - 3:10	15,5 - 24,5	1,30 - 1,70
P3	Auto Misti 55° - Il programma automatico per piatti normalmente sporchi e con residui secchi di cibo.	✓	✓	POWER CLEAN 1/2 + ⌚	1:20 - 3:00	7,5 - 19,5	0,75 - 1,20
P4	Auto Rapido 50° - Il programma automatico per piatti normalmente e leggermente sporchi. Ciclo quotidiano; permette di ottenere risultati di lavaggio e asciugatura ottimali in un tempo inferiore.	✓	✓	POWER CLEAN 1/2 + ⌚	1:00 - 1:50	7,5 - 15,5	0,70 - 1,10
P5	Rapido 45° - Il programma è consigliato per una quantità limitata di piatti poco sporchi e senza residui secchi di cibo. Non include la fase di asciugatura.	-	✓	1/2 + ⌚	0:30 - 0:40	10,0 - 12,0	0,55 - 0,65
P6	Cristalli 45° - Il programma adatto a oggetti delicati, più sensibili alle temperature elevate, ad esempio bicchieri e tazze.	✓	✓	1/2 + ⌚	1:40 - 1:50	12,5 - 16,5	0,95 - 1,20
P7	Silenzioso 55° - Adatto al funzionamento nelle ore notturne. Permette di ottenere risultati di lavaggio e asciugatura ottimali con una minima emissione sonora.	✓	✓	+ ⌚	3:50 - 4:10	10,5 - 14,5	0,80 - 1,15
P8	Antibatterico 65° - Sporco normale e molto sporco, con azione antibatterica supplementare. Ciclo utilizzabile per la manutenzione della lavastoviglie.	✓	-	POWER CLEAN 1/2 + ⌚	1:55 - 2:10	12,0 - 19,0	1,40 - 1,80
P9	Prelavaggio - Da utilizzare per sciacquare le stoviglie da lavare successivamente. Questo programma non richiede detersivo.	-	✓	1/2 ⌚	0:12	4,5	0,10
P10	Autopulente 65° - Il programma da utilizzare per la manutenzione della lavastoviglie; deve essere eseguito solo con l'apparecchio VUOTO e usando un detersivo specifico per la manutenzione della lavastoviglie.	-	-	⌚	1:15	11,0	1,10

La misurazione dei dati per la creazione del programma ECO avviene in condizioni di laboratorio secondo quanto prescritto dalle norme europee EN 60436:2020.

Nota per i laboratori di Prove: per informazioni sulle condizioni della prova comparativa EN, farne richiesta all'indirizzo: dw_test_support@whirlpool.com

Questi programmi non richiedono un pre-trattamento delle stoviglie.

*) Non è possibile selezionare tutte le opzioni contemporaneamente.

***) Ad eccezione del programma Eco, i valori riportati per gli altri programmi sono puramente indicativi. La durata effettiva può dipendere da molti fattori, quali la temperatura e la pressione dell'acqua di alimentazione, la temperatura ambiente, la dose di detersivo utilizzata, la quantità e il tipo di carico e il suo bilanciamento, la selezione di determinate opzioni e la taratura dei sensori. La taratura dei sensori può prolungare la durata dei programmi anche di 20 minuti.

OPZIONI E FUNZIONI

Le OPZIONI possono essere selezionate/deselezionate, dopo aver scelto il programma, direttamente premendo il pulsante corrispondente (se disponibile - l'indicatore si accende) (vedere PANNELLO DI CONTROLLO). In caso di opzione non compatibile con il programma selezionato (vedere TABELLA DEI PROGRAMMI), il LED corrispondente lampeggia 3 volte in rapida successione ed emette i previsti segnali acustici. L'opzione non è in tal caso abilitata. Un'opzione può modificare il tempo o il consumo di acqua o di energia per il programma.

POWER CLEAN® - Grazie ai getti speciali supplementari questa funzione consente un lavaggio più intenso ed efficace nell'area specifica del cestello inferiore. Si raccomanda questa funzione per il lavaggio di pentole e casseruole (fare riferimento alla sezione di caricamento di Power Clean®).

MEZZO CARICO - Se le stoviglie da lavare non sono numerose, la funzione di mezzo carico MEZZO CARICO serve a risparmiare acqua, elettricità o tempo, a seconda del programma selezionato.

Ricordare di ridurre la dose di detersivo.

EXTRA ASCIUTTO - La temperatura più elevata durante il risciacquo finale e la fase di asciugatura prolungata consentono di migliorare l'asciugatura. L'opzione EXTRA ASCIUTTO comporta una maggior durata del ciclo di lavaggio.

AVVIO RITARDATO - L'avvio del programma può essere ritardato per un periodo di tempo compreso tra 30 minuti e 24 ore.

1. Selezionare il programma richiesto e qualsiasi opzione necessaria. Per ritardare l'avvio del programma premere (ripetutamente) il tasto AVVIO RITARDATO. Regolabile da 30 minuti a 24 ore. Una volta raggiunta l'impostazione di 24 ore, premere il tasto AVVIO RITARDATO un'altra volta per disattivare la funzione AVVIO RITARDATO.

2. Premere il tasto AVVIO/Pausa e chiudere lo sportello entro 4 secondi. Il timer inizierà il conto alla rovescia.

3. Una volta trascorso questo periodo di tempo, la corrispondente spia si spegne e il programma si avvia automaticamente.

Una volta avviato il programma, non è più possibile impostare la funzione AVVIO RITARDATO.

RUBINETTO ACQUA CHIUSO - Allarme - Lampeggia, quando non è presente acqua in ingresso o il rubinetto dell'acqua è chiuso.

RILEVAMENTO - Quando il sensore rileva il livello del suolo, sul display appare un'animazione (circa 20 minuti) e la durata del ciclo viene aggiornata. Il RILEVAMENTO riguarda il livello di sporco delle stoviglie ed è presente per tutti i cicli (tranne l'Eco), regolando il programma di conseguenza.

LUCE SUL PAVIMENTO - La luce di un LED proiettata sul pavimento segnala che la lavastoviglie è in funzione. La luce si spegne al termine di un ciclo. Nell'impostazione predefinita questa funzione è attiva, ma è possibile disattivarla nel "MENU IMPOSTAZIONI".

NaturalDry - È un sistema di asciugatura a convezione che apre automaticamente lo sportello durante/dopo la fase di asciugatura, per garantire ogni giorno prestazioni di asciugatura eccezionali. Lo sportello si apre ad una temperatura sicura per i mobili della cucina. Come ulteriore protezione dal vapore, insieme alla lavastoviglie viene aggiunta una pellicola di protezione appositamente progettata.

Per vedere come montare la pellicola di protezione, fare riferimento alle ISTRUZIONI PER L'INSTALLAZIONE. Nell'impostazione predefinita questa funzione è attiva, ma è possibile disattivarla nel "MENU IMPOSTAZIONI".

DECALCIFICAZIONE - Allarme - È stato rilevato un accumulo di calcare sui componenti interni dell'apparecchio. Verificare se l'impostazione della durezza dell'acqua è al valore corretto e se nel contenitore del sale è presente del sale (vedere PRIMO UTILIZZO), quindi utilizzare un prodotto decalcificante (si raccomanda il marchio WPro) con il programma Autopulizia. Dopo una corretta decalcificazione, l'icona smetterà di essere visualizzata.

Se le azioni di cui sopra non vengono eseguite, le prestazioni del prodotto si deteriorano. L'avviso DECALCIFICAZIONE inizierà a lampeggiare e l'allarme «dES» apparirà sul display. Se non si interviene, l'apparecchio consentirà di avviare solo un certo numero di cicli (indicato durante la visualizzazione dell'allarme «dES») e quindi si bloccherà per evitare danni ai componenti, rendendo disponibile solo il programma Autopulente. Eseguendo una decalcificazione completa, il prodotto si sblocca. In caso di quantità estremamente elevate di calcare, potrebbe essere necessario eseguire la decalcificazione due volte per essere efficiente.

PROGRAMMA PREFERITO - Il programma PREFERITO può essere salvato e sarà facilmente accessibile. Trovare il programma utilizzando PRECEDENTE/ SUCCESSIVO, quindi premere il tasto programma PREFERITO per 3 secondi.

CARICAMENTO DEI CESTELLI

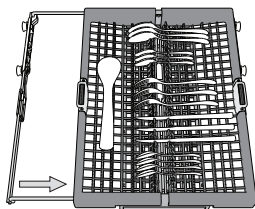
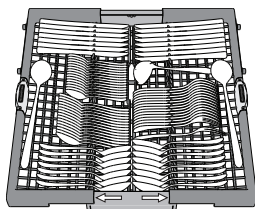
CAPACITÀ: 15 coperti standard

CESTELLO PORTAPOSATE

Il terzo cestello è stato progettato per alloggiare le posate durante il lavaggio. La possibilità di sistemare le posate a parte ne rende più semplice la raccolta dopo il lavaggio e migliora le prestazioni sia nella fase di lavaggio che in quella di asciugatura.

Coltelli e altri utensili con bordi affilati devono essere sistemati con le lame rivolte verso il basso.

Il cestello portaposate è munito di due carrelli scorrevoli per ottimizzare anche lo spazio del cestello inferiore e consentire il caricamento nel cestello superiore di oggetti di una certa altezza.

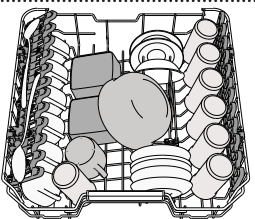


CESTELLO SUPERIORE

Riporvi i piatti poco resistenti e le stoviglie delicate: vetri, tazze, piattini, insalatiere dai bordi bassi.

Il cestello superiore è munito di sponde ribaltabili da utilizzare in posizione verticale per la sistemazione di piattini per tea/dessert oppure in posizione abbassata per consentire il carico di scodelle e recipienti per alimenti.

(esempio di carico del cestello superiore)



Regolazione in altezza del cestello superiore

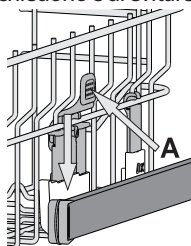
È possibile regolare del cestello superiore nel senso dell'altezza: la posizione rialzata consente di sfruttare al massimo il cestello inferiore per riporvi le stoviglie di dimensioni ingombranti, mentre la posizione ribassata consente di utilizzare le sponde ribaltabili creando lo spazio che esse richiedono e di evitare urti con gli oggetti caricati nel cestello inferiore.

Il cestello superiore è munito di **regolatore in altezza** (vedere figura) che non richiede pressione sulle leve; sollevarlo tenendolo per i lati, non appena si trovi in posizione rialzata.

Per ripristinare la posizione ribassata, agire sulle leve **A** poste ai lati del cestello e abbassare il cestello.

Si raccomanda vivamente di non procedere alla regolazione in altezza di cestelli già caricati.

Non rialzare o ribassare MAI il cestello agendo su un lato soltanto.

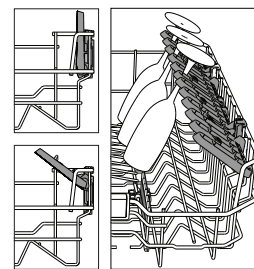


Sponde ribaltabili con posizione regolabile

Le sponde ribaltabili laterali possono essere estese o ripiegate per ottimizzare la disposizione delle stoviglie nel cestello. Si possono disporre i bicchieri da vino nelle sponde ribaltabili in modo assolutamente sicuro, inserendone lo stelo negli appositi spazi.

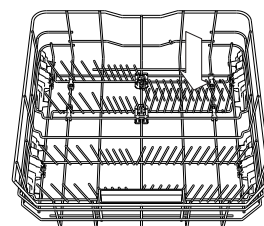
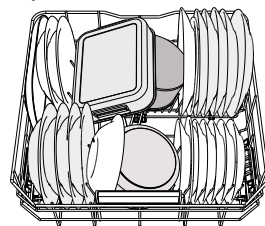
In base al modello:

- per estendere le sponde occorre farle scorrere verso l'alto e ruotarle oppure sganciarle dai fermi e abbassarle.
- per ripiegare le sponde occorre ruotarle e farle scorrere verso il basso oppure sollevarle e agganciarle ai fermi.



CESTELLO INFERIORE

Per pentole, coperchi, piatti, insalatiere, stoviglie, ecc. In teoria conviene disporre piatti e coperchi di grandi dimensioni ai lati, per evitare interferenze con l'elemento aspersore. Il cestello inferiore è munito di sponde ribaltabili da utilizzare in posizione verticale per la migliore sistemazione dei piatti oppure in posizione orizzontale (abbassata) per consentire il facile carico di scodelle e recipienti per alimenti.



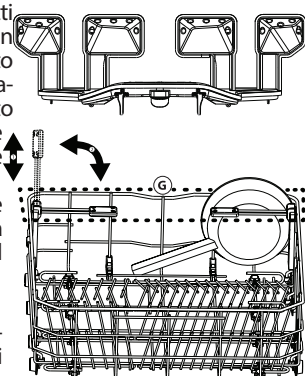
(esempio di carico nel cestello inferiore)

POWER CLEAN®

L'opzione Power Clean® utilizza specifici getti d'acqua nel retro della cavità per ottenere un lavaggio più intensivo delle stoviglie molto sporche. Il cestello inferiore è munito di Space Zone, lo specifico sostegno estraibile posto nella parte posteriore del cestello e utilizzabile per sostenere in posizione verticale pentole e casseruole e ottimizzare in tal modo lo spazio. Nel disporre pentole e casseruole rivolte verso l'elemento Power Clean® attivare la corrispondente opzione **POWER CLEAN®** dal pannello comandi.

Uso dell'opzione Power Clean®:

1. Regolare l'area Power Clean® (**G**) ripiegando verso il basso i supporti posteriori piatti per caricare le pentole.
2. Caricare le pentole e le casseruole in posizione inclinata verticale nell'area Power Clean®. Le pentole devono essere inclinate verso i potenti getti d'acqua.



CURA E MANUTENZIONE

PULIZIA DEL GRUPPO FILTRO

Pulire regolarmente il gruppo filtro in modo che nei relativi elementi non si formino ostruzioni e che l'acqua vi scorra regolarmente.

L'uso della lavastoviglie con i filtri ostruiti, o con oggetti estranei nel sistema filtrante o nei bracci irroratori, può causare malfunzionamenti e determinare una perdita di prestazioni, un aumento della rumorosità o un maggiore consumo di risorse.

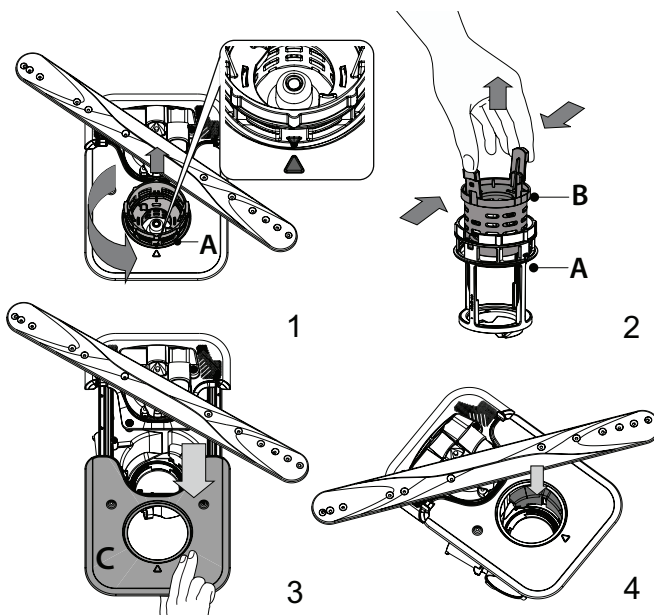
Il gruppo filtro è composto da tre elementi filtranti che eliminano la presenza di residui di cibo dall'acqua di lavaggio, rimettendola in circolo ai fini del programma: per ottenere le migliori prestazioni durante il lavaggio è necessario che tali elementi siano sempre puliti.

Non utilizzare mai la lavastoviglie priva dei filtri o con i filtri allentati.

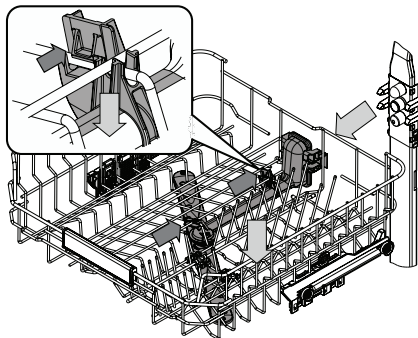
Almeno una volta al mese o ogni 30 cicli di lavaggio, verificare lo stato del gruppo filtro e se necessario pulirlo completamente sotto getto di acqua corrente, servendosi di spazzola metallica e seguendo le istruzioni sotto riportate:

1. Ruotare il filtro cilindrico **A** in senso antiorario, quindi estrarlo (Fig 1).
- Quando si reinstalla il filtro, è importante che i due triangoli indicati sullo zoom coincidano.
2. Smontare il filtro a tazza **B** esercitando una leggera pressione sulle sponde laterali (Fig 2).
3. Far scorrere il filtro a piastra in acciaio inossidabile **C**, fino ad estrarlo (Fig 3).
4. Se si trovano oggetti estranei (frammenti di vetro, porcellana, ossa, semi di frutta, ecc.), **rimuoverli con attenzione.**
5. Esaminare il sifone ed eliminare la presenza di qualsiasi residuo di cibo. **NON TOGLIERE MAI** l'elemento di protezione della pompa di lavaggio (indicato da una freccia) (Fig 4).

Dopo aver pulito i filtri, rimontare il gruppo e fissarlo correttamente in sede: ciò è fondamentale per garantire l'efficienza della lavastoviglie.

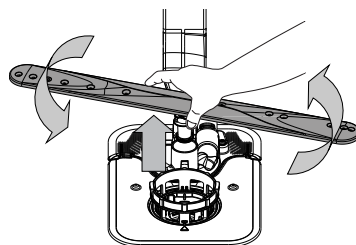


PULIZIA DEI BRACCI ASPERSORI

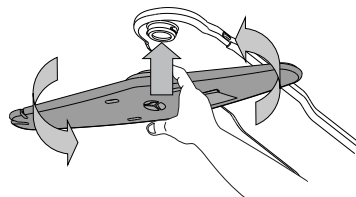


I residui di cibo possono occasionalmente formare incrostazioni sui bracci aspersori e bloccare i fori utilizzati per l'irrorazione dell'acqua. Si raccomanda pertanto di ispezionare di volta in volta i bracci e di pulirli mediante piccola spazzola metallica.

Per rimuovere lo spruzzo superiore, è necessario rimuoverlo insieme al collettore.



Il braccio di spruzzo inferiore può essere rimosso tirandolo verso l'alto e ruotandolo in senso antiorario. Il montaggio posteriore del braccio di spruzzo avviene tirandolo verso il basso e ruotandolo in senso orario.



Il braccio di spruzzo superiore può essere rimosso premendolo verso l'alto e successivamente ruotandolo in senso antiorario. Per rimontare il braccio di spruzzo, tirarlo verso l'alto e ruotarlo in senso orario.

RISOLUZIONE DEI PROBLEMI

Se la lavastoviglie non funziona correttamente, provare a risolvere il problema consultando l'elenco sotto riportato. Per errori o problemi di altro tipo, contattare un Servizio Assistenza Tecnica autorizzato; i dati di contatto sono riportati nel libretto di garanzia. I ricambi saranno disponibili per un periodo fino a 7 o fino a 10 anni, secondo i requisiti specifici del regolamento.

PROBLEMI	POSSIBILI CAUSE	SOLUZIONE
☒ La spia del sale è accesa	Il serbatoio del sale è quasi vuoto.	Riempire il serbatoio con sale (per ulteriori informazioni - vedere <i>RIEMPIMENTO DEL SERBATOIO SALE</i>). Se necessario, verificare l'impostazione della durezza dell'acqua - vedere <i>IMPOSTAZIONE DELLA DUREZZA DELL'ACQUA</i> .
☒ La spia del sale lampeggia	Il serbatoio del sale è vuoto.	Riempire il serbatoio di sale il prima possibile. L'utilizzo dell'apparecchio senza sale può causare danni ai componenti interni.
☀ La spia del brillantante è accesa o lampeggia	Il distributore del brillantante è vuoto. (Dopo il riempimento, la spia del brillantante può rimanere accesa per un breve periodo).	Riempire la vaschetta con un brillantante (per maggiori informazioni - vedere <i>RIEMPIMENTO DEL DISTRIBUTORE BRILLANTANTE</i>).
☒ La spia di decalcificazione è accesa o lampeggia; Viene visualizzato l'allarme „dES“.	Il calcare si sta accumulando sui componenti interni dell'apparecchio.	Decalcificare immediatamente l'apparecchio utilizzando il programma AUTOPULENTE e un prodotto decalcificante disponibile in commercio (vedere <i>OPZIONI E FUNZIONI</i>). Riempire il serbatoio di sale. Verificare l'impostazione della durezza dell'acqua. Se l'apparecchio non viene decalcificato, smetterà di funzionare.
La lavastoviglie non si avvia o i comandi non rispondono.	L'apparecchio non è stato collegato correttamente all'alimentazione elettrica.	Inserire la spina nella presa di corrente.
	Mancanza di corrente.	Per motivi di sicurezza, la lavastoviglie non si riavvierà automaticamente al ritorno della corrente. Aprire la porta, premere il tasto AVVIO/Pausa e richiudere la porta entro 4 secondi.
	Mancata chiusura della porta lavastoviglie. Il perno NaturalDry non viene inserito.	Spingere con decisione la porta fino ad avvertire il caratteristico "click".
	Un ciclo viene interrotto dall'apertura della porta per più di 4 secondi.	Premere AVVIO/Pausa e chiudere la porta entro 4 secondi.
Lo scarico della lavastoviglie non avviene. Sul display viene visualizzato: F7 E3 o F9 E1	Il filtro è intasato da residui di cibo o calcare.	Pulire il filtro e decalcificare l'apparecchio (vedere <i>PULIZIA DEL GRUPPO FILTRO e ISTRUZIONI PER LA DECALCIFICAZIONE</i>).
	Il tubo flessibile di drenaggio è attorcigliato.	Controllare il tubo flessibile di scarico (vedere <i>ISTRUZIONI DI INSTALLAZIONE</i>).
	Tubo di scarico del lavandino ostruito.	Pulire il tubo di scarico del lavandino.
La rumorosità della lavastoviglie è eccessiva.	Le stoviglie si scontrano l'una con l'altra.	Posizionare correttamente le stoviglie (vedere <i>CARICAMENTO DEI CESTELLI</i>).
	È presente una quantità eccessiva di schiuma.	Il detersivo non è stato dosato in modo corretto oppure non è del tipo adatto alle lavastoviglie (vedere <i>RIEMPIMENTO DEL DISTRIBUTORE DETERSIVO</i>). Per riavviare il ciclo in corso, spegnere e riaccendere la lavastoviglie, scegliere un nuovo programma, premere AVVIO/Pausa e chiudere lo sportello entro 4 secondi. Non aggiungere altro detersivo.
	Le stoviglie non sono state disposte correttamente.	Sistemare le stoviglie nel modo corretto (vedere <i>CARICAMENTO DEI CESTELLI</i>).
	Il filtro è intasato da residui di cibo o calcare.	Pulire il gruppo filtro (vedere <i>CURA E MANUTENZIONE</i>).
Le stoviglie non risultano pulite.	Le stoviglie non sono state disposte correttamente.	Sistemare le stoviglie nel modo corretto (vedere <i>CARICAMENTO DEI CESTELLI</i>).
	Impedimento nella rotazione dei bracci aspersori a causa dell'interferenza dei piatti.	Sistemare le stoviglie nel modo corretto (vedere <i>CARICAMENTO DEI CESTELLI</i>). Verificare che il cestello superiore sia nella posizione corretta e, se necessario, regolarlo (sollevarlo).
	Il ciclo di lavaggio è eccessivamente delicato.	Selezionare un ciclo di lavaggio appropriato (vedere <i>TABELLA DEI PROGRAMMI</i>).
	È presente una quantità eccessiva di schiuma.	Il dosaggio del detersivo non è stato stabilito in modo corretto oppure il detersivo non è del tipo adatto alle lavastoviglie (vedere <i>RIEMPIMENTO DEL DISTRIBUTORE DETERSIVO</i>).
	Il tappo del vano del brillantante non è stato chiuso correttamente.	Accertarsi che il tappo sul distributore brillantante sia chiuso.
	Il filtro è intasato da residui di cibo o calcare.	Pulire il filtro e decalcificare l'apparecchio (vedere <i>PULIZIA DEL GRUPPO FILTRO</i>).
Il serbatoio del sale è vuoto.	Riempire il serbatoio del sale (vedere <i>RIEMPIMENTO DEL SERBATOIO SALE</i>).	

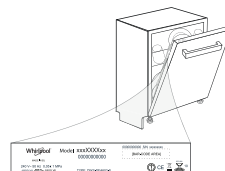
PROBLEMI	POSSIBILI CAUSE	SOLUZIONE
La lavastoviglie non esegue il carico dell'acqua. Il display mostra: H2O e \emptyset si accende; suona l'allarme acustico.	Assenza di alimentazione idrica o rubinetto chiuso.	Assicurarsi che sia presente acqua nella rete idrica e che il rubinetto dell'acqua sia aperto.
	Il tubo flessibile di ingresso dell'acqua è attorcigliato.	Controllare il tubo flessibile di ingresso (<i>vedere INSTALLAZIONE</i>). Aprire la porta, premere il tasto AVVIO/Pausa e richiudere la porta entro 4 secondi.
La lavastoviglie termina il ciclo di lavaggio troppo presto. Il display mostra: F8 E3	La griglia nel tubo flessibile di ingresso dell'acqua è intasata; è necessario pulirlo.	Controllare e pulire la griglia nel tubo flessibile di ingresso dell'acqua. Aprire la porta, premere il tasto AVVIO/Pausa e richiudere la porta entro 4 secondi.
	Il filtro è intasato da residui di cibo o calcare.	Pulire il filtro e decalcificare l'apparecchio (<i>vedere PULIZIA DEL GRUPPO FILTRO e ISTRUZIONI PER LA DECALCIFICAZIONE</i>).
	Il tubo di scarico è posizionato troppo in basso o crea un effetto sifone nell'impianto di scarico domestico.	Controllare che l'estremità del tubo di scarico si trovi all'altezza corretta (<i>vedere INSTALLAZIONE</i>). Verificare la presenza di effetti sifone nel sistema fognario domestico e, se necessario, installare un interruttore sifone/una valvola di ammissione dell'aria.
	È presente una quantità eccessiva di schiuma.	Il dosaggio del detersivo non è stato stabilito in modo corretto oppure il detersivo non è del tipo adatto alle lavastoviglie (<i>vedere RIEMPIMENTO DEL DISTRIBUTORE DETERSIVO</i>).
Le stoviglie non vengono asciugate bene.	Aria nella rete idrica.	Controllare che non vi siano perdite nell'impianto idraulico o altri problemi che causino l'ingresso di aria.
	Il brillantante non è presente o il dosaggio è troppo basso.	Assicurarsi che la vaschetta del brillantante sia piena (<i>vedere RIEMPIMENTO DEL DISTRIBUTORE BRILLANTANTE</i>). Le sole compresse multifunzionali non garantiscono un effetto di asciugatura altrettanto buono rispetto all'uso effettivo del brillantante liquido.
	Le stoviglie sono state scaricate dopo l'apertura automatica della porta, ma prima della fine del ciclo effettivo.	Assicurarsi che il ciclo sia terminato prima di iniziare a scaricare le stoviglie (<i>vedere USO QUOTIDIANO</i>). Per ottenere risultati di asciugatura ancora migliori, si consiglia di lasciare le stoviglie all'interno della lavastoviglie con la porta aperta per altri 15 minuti dopo la fine del ciclo.
	Le stoviglie sono troppo distese.	Se si notano ristagni d'acqua all'interno delle cavità di tazze, tazzine o ciotole, provare a caricare le stoviglie (soprattutto nel cestello superiore) fornendo una maggiore inclinazione per far gocciolare una maggiore quantità d'acqua prima dell'inizio dell'asciugatura.
	Il ciclo selezionato non prevede la fase di asciugatura.	Verificare nella <i>TABELLA DEI PROGRAMMI</i> se il programma selezionato è predisposto per la fase di asciugatura. Il ciclo senza la fase di asciugatura potrebbe non fornire l'efficienza di asciugatura desiderata, quindi si raccomanda di cambiare la selezione del ciclo con quella che prevede la fase di asciugatura.
I piatti e i bicchieri presentano striature blu o sfumature bluastre.	Piatti in materiale antiaderente o in plastica.	La presenza di alcune gocce d'acqua su questo tipo di materiale è normale.
I piatti e i bicchieri sono ricoperti di calcare o di una pellicola biancastra.	La dose di brillantante è eccessiva.	Regolare il dosaggio su un'impostazione più bassa.
	Il serbatoio del sale è vuoto.	Riempire il serbatoio di sale il prima possibile. L'utilizzo dell'apparecchio senza sale può causare danni ai componenti interni.
	L'impostazione della durezza dell'acqua è troppo bassa.	Aumentare l'impostazione (<i>vedere TABELLA DELLA DUREZZA DELL'ACQUA</i>).
	Tappo del serbatoio sale non correttamente chiuso.	Controllare e chiudere il tappo del serbatoio del sale.
La lavastoviglie indica: F8 E5	Il serbatoio del brillantante è vuoto o il dosaggio del brillantante è insufficiente.	Riempire nuovamente la vaschetta con il brillantante e controllare l'impostazione del dosaggio (per maggiori informazioni - <i>vedere RIEMPIMENTO DEL DISTRIBUTORE BRILLANTANTE</i>).
	La valvola è bloccata o difettosa.	Chiudere il rubinetto dell'acqua, se possibile. Non interrompere l'alimentazione elettrica. Chiamare l'assistenza.



Documentazione normativa, documentazione standard, ordinazione di pezzi di ricambio e altre informazioni sul prodotto possono essere reperite:

- Usare il codice QR e visitando il nostro sito web docs.whirlpool.eu
- Visitando il nostro sito web parts-selfservice.whirlpool.com
- Oppure, **contattare il Servizio Assistenza Tecnica** (al numero di telefono riportato sul libretto di garanzia). Quando si contatta il Servizio Assistenza Tecnica, fornire i codici presenti sulla targhetta matricola del prodotto.

I dati del modello possono essere richiamati usando il codice QR riportato sull'etichetta energetica. L'etichetta riporta anche il codice identificativo del modello che può essere utilizzato per consultare il portale di registrazione su <https://eprel.ec.europa.eu>





MANGE TAKK FOR AT DU HAR KJØPT ET WHIRLPOOL-PRODUKT.
For å motta assistanse som er mer fullstendig, må du registrere apparatet ditt på www.whirlpool.eu/register

Før du tar i bruk apparatet må du lese nøye sikkerhets- og installasjonsinstruksene. Mer informasjon om produktet ditt er tilgjengelig på nettstedet: docs.whirlpool.eu

Etter installasjonen må du huske å fjerne alle de beskyttende delene som er brukt under transporten, fra oppvaskmaskinen.

BETJENINGSPANEL

1. Knapp med indikatorlys for **PÅ-AV/Tilbakestill**
2. Knapp for **FORRIGE program**
3. Knapp for **NESTE program**
4. Knapp med indikatorlys for **FAVORITTPROGRAM**
5. Indikatorlampe for **tom saltbeholder**
6. Indikatorlys for **tom skyllemiddelbeholder**
7. Indikatorlampe for **AVKALLING**
8. Indikatorlampe for **Lukket Vannkran**
9. **Display**
10. **Programnummer** og indikator for **gjenværende tid**
11. Knapp med indikatorlampe for **Power Clean® opsjon**



12. Knapp med indikatorlampe for **opsjonen Halv Last/Innstillinger** - trykk i 3 s
13. Knapp med indikatorlampe for **opsjonen Ekstra Tørr**
14. Knapp med indikatorlampe for **opsjonen Utsatt Start**
15. Knapp med indikatorlampe for **START/Pause**

FØRSTE GANGS BRUK

INNSTILLINGSMENY

1. Slå på apparatet ved å trykke på **PÅ-AV** (☺) knappen.
2. Hold inne knappen for **Innstillinger** (⊗) (Halv Last (☺)) i 3 sekund, helt til du hører en pipelyd og displayet viser „**SET**“.
3. Etter ett sekund vises den første tilgjengelige innstillingen (bokstav „h“).
4. Trykk **FORRIGE**</>**NESTE**> for å bla igjennom listen over tilgjengelige innstillinger (se tabellen nedenfor), trykk deretter på knappen **START/Pause** (⏏) for å se og endre verdiene på den valgte innstillingen.
5. Trykk **FORRIGE**</>**NESTE**> for å endre verdien, trykk deretter **START/Pause** (⏏) for å lagre den nye verdien og returnere til hovedmenyen.
6. For å endre en annen innstilling, gjenta punktene 4 og 5.
7. Trykk **PÅ-AV** (☺) og vent i 30 sekund for å gå ut av menyen.

Nivå	°dH Tyske grader	°fH Franske grader	°Clark Engelske grader
1 (Bløtt)	0 - 6	0 - 10	0 - 7
2 (Middels hardt)	7 - 11	11 - 20	8 - 14
3 (Gjennomsnittlig)	12 - 16	21 - 29	15 - 20
4 (Hardt)	17 - 34	30 - 60	21 - 42
5 (Svært hardt)	35 - 50	61 - 90	43 - 62

BOK-STAV	INNSTILLING	VERDIER (Standard - med fet skrift)
h	Vannets hardhetsnivå (se "INNSTILLING AV VANNETS HARDHETSNIVÅ" og "TABELL FOR VANNETS HARDHET")	1 2 3 4 5
i	Skyblemiddelnivå (se "JUSTERING AV DOSERINGEN AV SKYBLEMIDDEL")	0 1 2 3 4 5
j	NaturalDry (se "OPSJONER OG FUNKSJONER") "1" = På, "0" = Av	1 0
k	Lys på gulvet (se "OPSJONER OG FUNKSJONER") "1" = På, "0" = Av	1 0
l	Lyd "1" = På, "0" = Av	1 0
m	Fabrikkinnstillinger Trykk START/Pause for å gjenopprette alle verdiene til innstillingen inkludert i innstillingsmenyen til default-verdiene fra fabrikk.	-

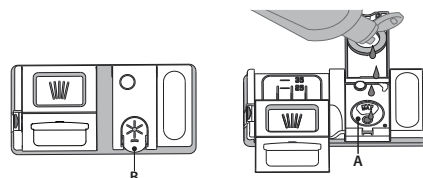
VANNMYKNER

Vannmykneren reduserer automatisk vannets hardhet, dermed hindres kalkdannelse på varmeren, i tillegg til at effektiviteten ved renhold økes. **Dette systemet regenereres med salt, derfor må saltbeholderen fylles når den er tom.** Hvor ofte regenereringen utføres avhenger av innstillingen av vannets hardhetsnivå - regenereringen skjer én gang hver 4-6 Eco-syklus når vannets hardhetsnivå er stillt inn på 3. Regenereringsprosessen skjer på begynnelsen av syklusen med ekstra friskt vann.

- Enkel regenerering forbruker: ~3 l vann;
- Varer 5 minutter lenger enn vanlig syklus;
- Forbruker mindre enn 0.005 kWh energi.

FYLING AV DISPENSER MED SKYLEMIDDEL

Skyblemiddel gjør at serviset TØRKER lettere. Dispenseren for skyblemiddel **A** bør etterfylles når **indikatorlampen for ETTERFYLLING AV SKYLEMIDDEL** på kontrollpanelet lyser.

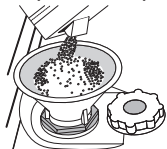


1. Åpne dispenseren **B** ved å trykke og dra klaffen på dekselet oppover.
2. Hell forsiktig i skyblemiddelet helt til det når merket for maksimalt nivå (110 ml) for etterfylling - ikke søl. Dersom du søler, må du øyeblikkelig tørke med en tørr klut.

FYLING AV SALTBEHOLDEREN

Salt benyttes for å hindre at det skal danne seg KALK på serviset og på maskinens funksjonsdeler. Saltbeholderen er plassert nede i oppvaskmaskinen (under det nedre stativet på venstre side).

- Det er obligatorisk at **SALTBEHOLDEREN ALDRI ER TOM.**
- Det er svært viktig å stille inn vannets hardhet.
- Det må etterfylles salt når **indikatorlyset for ETTERFYLLING AV SALT** (⊗) på kontrollpanelet lyser.



1. Fjern den nederste kurven og skru løs beholderens lokk (mot urviserne).
2. Plasser trakten (se figuren) og fyll på saltbeholderen helt til saltet når opp til kanten (omtrent 0,5 kg); det er ikke unormalt at det renner over litt vann.
3. **Kun første gang du gjør dette: fyll saltbeholderen med vann.**

4. Fjern trakten og fjern saltet som eventuelt ligger igjen rundt åpningen. Påse at lokket er skrudd godt til, slik at ikke vaskemiddel trenger ned i beholderen mens vaskeprogrammet pågår (dette kan føre til ubetelig skade på kalkfilteret).

Kjør et program hver gang umiddelbart etter at du har fylt salt for å unngå korrosjon.

Innstilling av vannets hardhetsnivå

For at kalkfilteret skal kunne arbeide på riktig måte, er det viktig at innstillingen av vannets hardhet er basert på den faktiske hardheten i vannet til husholdningen. Denne informasjonen vil du få hos din lokale vannleverandør. Fabrikkinnstillingen er "3". Se "TABELL OVER VANNETS HARDHET".

For å endre dette, følg instruksjonene seksjonen "INNSTILLINGSMENY".

Bruk kun salt som er spesielt beregnet for oppvaskmaskiner.

Etter at du har tømt saltet i maskinen, slukker indikatorlampen for PÅFYLLING AV SALT.

Hvis du ikke etterfyller saltbeholderen, kan dette føre til at vannmykneren og varmelementet skades som følge av kalkdannelse. Bruk av salt anbefales uansett hvilken type oppvaskmiddel som brukes.

3. Trykk klaffen nedover til du hører ett klikk for å lukke den.
- Du må ALDRI tømme skyblemiddel direkte over i oppvaskmaskinen.**

Justering av doseringen av skyblemiddel

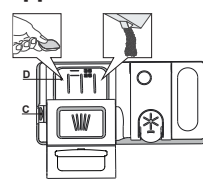
Dersom du ikke er helt fornøyd med tørkeresultatet, kan du justere mengden med skyblemiddel som er brukt.

For å endre dette, følg instruksjonene seksjonen "INNSTILLINGSMENY". Dersom nivået for skyblemiddel er stillt inn på NULL, fylles det ikke på skyblemiddel. Indikatorlampen for **LAVT NIVÅ AV SKYLEMIDDEL** tennes ikke dersom det går tomt for skyblemiddel.

- Det kan maksimalt stilles inn 6 nivå avhengig av oppvaskmaskinens modell.
- Dersom du ser blåaktige streker på tallerkenene, må du stille inn på et lavere nummer (0-3).
 - Dersom det er vandrdråper eller kalkmerker på tallerkenene, må du stille inn et høyere nummer (4-5).

FYLING AV OPPVASKMIDDEL I DISPENSEREN

For å åpne oppvaskmiddeldispenseren bruk innretningen for åpning C. Hell oppvaskmiddel kun i den tørre dispenseren D. Legg mengden oppvaskmiddel for forvask direkte inn i oppvaskmaskinen.



1. Når du måler oppvaskmiddelet, se informasjonen som er nevnt over, for å tilføre riktig mengde. Inne i beholder **D** finnes det anvisninger som kan hjelpe deg med å dosere oppvaskmiddelet.
2. Fjern rester etter oppvaskmiddel fra kantene på dispenseren og lukk igjen dekselet helt til det klikker på plass.
3. Lukk dekselet til dispenseren med oppvaskmiddel ved å dra det opp til anordningen for sperre er festet på plass.

Oppvaskmiddel dispenseren åpner seg automatisk til rett tid avhengig av programmet.

Dersom en bruker vaskemiddel som ikke er beregnet på oppvaskmaskiner kan dette føre til at maskinen ikke vasker som den skal eller skade apparatet.

DAGLIG BRUK

1. KONTROLLER VANNTILKOPLINGEN

Kontroller at oppvaskmaskinen er tilkoblet vannforsyningen og at vannkran er åpen.

2. SLÅ PÅ OPPVASKMASKINEN

Åpne døren og trykk på **PÅ/AV** knappen.

3. LAST KURVENE (se *LASTING AV KURVENE*).

4. FYLING AV DISPENSER FOR OPPVASKMIDDEL

5. VELG PROGRAMMET OG TILPASS SYKLUSEN

Velg det best egnede programmet avhengig av type av type servise og hvor skittent dette er (se *PROGRAMBESKRIVELSE*) ved å trykke på knappen **FORRIGE/NESTE**. Velg opsjonene du ønsker (se *OPSJONER OG FUNKSJONER*). Ikke alle opsjoner er kompatible med alle programmene.

6. START

Start vaskesyklusen ved å trykke på **START/Pause** knappen (led tennes) og lukke døren i løpet av 4 sek. Når programmet starter hører du et enkelt pip. Dersom døren ikke lukkes innen 4 sek., vil du høre alarmlyden. I dette tilfellet, åpne døren, trykk på **START/Pause** knappen og lukk døren igjen i løpet av 4 sek.

7. AVSLUTTET VASKESYKLUS

Avsluttet vaskesyklus indikeres ved en lyd og display viser **END (SLUTT)**. Åpne døren og slå av apparatet ved å trykke på **PÅ/AV** knappen. Vent noen få minutter før du fjerner serviset - for å unngå å brenne deg. Ta ut av kurvene, begynn med den nederste.

ENDRING AV ET PÅGÅENDE PROGRAM

Dersom et feil program ble valgt, er det mulig å endre det, forutsatt at det nettopp har begynt. **RESET** maskinen: trykk og hold nede **PÅ/AV** knappen i mer enn 3. sek., og maskinen vil slå seg av. **Dashbord vil vise "0:01"**. Lukk døren og vendt til tømningen avsluttes (omtrent 1 minutt). Åpne døren og slå maskinen på igjen ved å bruke **PÅ/AV** knappen og velg den nye vaskesyklusen og en hvilken som helst ønsket opsjon. Start syklusen ved å trykke på **START/Pause** knappen og lukke døren i løpet av 4 sek.

INNLEGGING AV EKSTRA SERVICE

Uten å slå av maskinen, åpne døren, først forsiktig, for å unngå at vann spruter ut (**START/Pause** led begynner å blinke) (**Forsiktig! Hot steam!**) (Varm damp) og plasser serviset inn i oppvaskmaskinen. Trykk på **START/Pause** knappen og lukk døren i løpet av 4 sek., syklusen vil starte fra det punktet hvor den ble avbrutt.

UTILSIKTEDE AVBRYTELSE

Dersom døren åpnes mens vaskesyklusen pågår, eller ved strømbrydd, vil syklusen stanse. **KUN DERSOM DU TRYKKER PÅ START/Pause knappen** og lukker døren i løpet av 4 sek., vil syklusen gjenopptas fra det punktet det ble avbrutt.

RÅD OG TIPS

TIPS

Før du laster kurvene, må du fjerne rester av mat fra serviset og tømme glassene.

Du trenger ikke å skylle på forhånd under rennende vann.

Ordne serviset, slik at den holdes på plass og ikke tipper over; og plasser karene slik at åpningen vender nedover og den konkave/konvekse delen plasseres skrått, slik at vannet kan nå enhver overflate og flyte fritt.

Advarsel: lokk, håndtak, kurver og stekepanner må ikke hindre spylarmene i å rotere.

Plasser alle små gjenstander i bestikkurven.

Svært solide tallerkener og kar må plasseres i den nedre kurven, fordi vannspruten er kraftigere og ytelsen er bedre.

Etter at du har lastet apparatet, påse at spylarmene roterer fritt.

IKKE EGNET SERVICE

- Servise eller bestikk i tre.
- Ømfintlige og dekorerte glass, artistiske håndverk og antikk servise. Disse dekorasjonene er ikke motstandsdyktige.
- Deler i syntetisk material som ikke tåler høye temperaturer.
- Servise i kobber og tinn.
- Servise som er skittent med aske, voks, smøremiddel eller blekk.

Fargene til glassdekorasjonene og deler i aluminium/ sølv kan endre seg og falme i løpet av vaskesyklusen.

Noen typer glass (f.eks. krystallgjenstander) kan bli opake etter et visst antall vaskesykluser.

SKADE PÅ GLASS OG SERVICE

- Bruk kun glass og porselen som produsenten garanterer for at kan vaskes i oppvaskmaskin.
- Bruk et skånsomt oppvaskmiddel for servise for å unngå hvite striper på glasset.
- Ta glass og servise ut av vaskemaskinen straks vaskesyklusen er over.

TIPS FOR Å SPARE ENERGI

- Når husholdningens oppvaskmaskin brukes i henhold til produsentens instruksjoner, **forbruker en vanligvis MINDRE ENERGI og vann ved å vaske tallerkenene i oppvaskmaskinen enn ved å vaske de for hånd.**
- For å maksimere effektiviteten til oppvaskmaskinens **anbefaler en å starte vaskesyklusen når oppvaskmaskinen er full.** Ved å laste oppvaskmaskinen helt full i henhold til produsentens indikasjonen vil en spare både energi og vann. Informasjon med hensyn til riktig lasting av servise vil du finne i kapittelet *LASTING AV KURVENE*. Dersom oppvaskmaskinen kun lastes delvis (Halv last/ Sonevask/ Fler-sone), ved å fylle opp de valgte kurvene. Ikke riktig lasting eller for full oppvaskmaskin vil kunne øke forbruket av ressurser (som vann, energi og tid, i tillegg til at støynivået øker), med dårligere resultat ved renhold og tørking.
- Manuell skylling av serviset på forhånd fører til økt forbruk av vann og energi og anbefales derfor ikke.

HYGIENE

For å unngå lukt og avsetninger som kan samle seg i oppvaskmaskinen, **må du benytte et program med høy temperatur minst én gang i måneden.** Bruken teskje med oppvaskmiddel og la den gå uten tallerkener og servise for å gjøre apparatet rent.

FROSTMOTSTAND

Dersom maskinen er plassert i et rom med frostfare, må den **dreneres fullstendig**. Steng vannkranen, skru løs tilførsels- og avløpsslangen og la vannet renne ut. Pass på at vannmykneren er full av oppløst regneringsmiddel i saltbeholderen, for å beskytte apparatet mot temperaturer ned til -20°C. Dersom apparatet ble lagret i omgivelser med minusgrader, må det stå i en omgivelsestemperatur på minst . 5°C i **minst 24 timer** før det kan tas i bruk første gang.

PROGRAMTABELL

Program	Programbeskrivelse	Tørkefase	NaturalDry	Tilgjengelige opsjoner ^{*)}	Vaskesyklusens varighet (h:min) ^{**)}	Vannforbruk (l/syklus)	Energiforbruk (kWh/syklus)
P1 Eco	Øko 50° - Eco-programmet egner seg for å vaske normalt skittent servise, og for denne bruken er det det mest effektive programmet med hensyn til energi- og vannforbruk. Det er brukt for å vurdere overensstemmelsen med EU sin Ecodesign lovgivning.	✓	✓		3:30	9,5	0,76
P2	Auto Intensiv 65° - Automatisk program for svært skitne tallerkener og kjeler.	✓	✓		2:25-3:10	15,5-24,5	1,30-1,70
P3	Auto Blandet 55° - Automatisk program for normalt skitne tallerkener med tørre matrester.	✓	✓		1:20-3:00	7,5-19,5	0,75-1,20
P4	Auto Hurtig 50° - Automatisk program for normalt og lett skitne tallerkener. Syklusen som benyttes i hverdagen, som sikrer optimal vasking og tørking på kortere tid.	✓	✓		1:00-1:50	7,5-15,5	0,70-1,10
P5	Rask 45° - Programmet anbefales for begrenset mengde av lett skitne tallerkener uten tørre matrester. Inkluderer ikke tørkefasen.	-	✓		0:30-0:40	10-12	0,55-0,65
P6	Krystall 45° - Syklus for ømfintlige gjenstander, som er følsomme for høye temperaturer, for eksempel glass og kopper.	✓	✓		1:40-1:50	12,5-16,5	0,95-1,20
P7	Stille 55° - Egnet når apparatet går om natten. Du er sikret et optimalt vaskeresultat.	✓	✓		3:50-4:10	10,5-14,5	0,80-1,15
P8	Desinfiserende 65° - Normalt eller svært skittent servise med antibakterielt vaskeprogram. Kan benyttes for å utføre vedlikehold av oppvaskmaskinen.	✓	-		1:55-2:10	12-19	1,40-1,80
P9	Forvask - Brukt til å friske opp servise som en har planer om å vaske senere. Ingen oppvaskmiddel skal brukes med dette programmet.	-	✓		0:12	4,5	0,10
P10	Selv-rensende 65° - Program som skal benyttes for å utføre vedlikehold av oppvaskmaskinen, må kun utføres når oppvaskmaskinen er TOM ved å benytte egne vaskemiddel spesielt beregnet på vedlikehold av oppvaskmaskinen.	-	-		1:15	11,0	1,10

ØKO program data er målt i henhold til betingelsene i et laboratorium i henhold til Europeisk Standard EN 60436:2020.

Merknad for testlaboratoriene: Opplysninger om betingelsene for EN-sammenligningstesten kan fås ved å sende en forespørsel til e-postadresse:

dw_test_support@whirlpool.com

Forhåndsbehandling av tallerkenene er ikke nødvendig for noen av programmene.

*) Ikke alle opsjonene kan benyttes samtidig.

**) Verdiene som er oppgitt for programmene bortsett for Eco-programmet er kun veiledende. Den virkelige tiden kan variere avhengig av forskjellige faktorer som temperatur og trykket i vanntilførselen, romtemperatur, mengden oppvaskmiddel, mengde og type last, lastens fordeling, ekstra opsjoner som er valgt og sensors justering. Sensors justering kan forlenge programmets varighet med opp til 20 min.

OPSJONER OG FUNKSJONER

OPSJONER kan velges / velges vekk, etter at programmet er valgt, direkte ved å trykke på den tilhørende knappen (hvis tilgjengelig - indikatorlampene tenes) (se KONTROLLPANELET). Dersom en opsjon ikke er kompatibel med den valgte programmet (se PROGRAMTABELL), vil tilhørende LED blinke hurtig 3 ganger og du vil høre en pipe-lyd. Opsjonen vil ikke være tilgjengelig. En opsjon kan endre tid eller vann eller energiforbruk for programmet.

POWER CLEAN® - De ekstra dysene gjør at dette tilvalget gir mer intensiv og kraftig vask i den nedre kurven, i det bestemte området. Denne opsjonen anbefales for vask av gryter og panner (Vennligst se Power Clean®-avsnittet om lasting).

HALV LAST - Dersom det ikke er mange tallerkener som skal vaskes, benyttes HALV LAST for å spare vann, elektrisitet eller tid avhengig av det valgte programmet. **Husk å redusere mengden oppvaskmiddel.**

+ EKSTRA TØRR - En høyere temperatur under den avsluttende skyllingen og den forlengede tørkefasen forbedrer tørkingen. Opsjonen for EXTRA DRY (Ekstra tørr) fører til forlengelse av vaskesyklusen.

UTSETTELSE - Tidspunktet for start av programmet kan utsettes i en tidsperiode som varierer på mellom **0:30** og **24** timer.

1. Velg program og eventuelle tilleggsfunksjoner. Trykk på UTSETT-knappen (gjentatte ganger) for å utsette programstart. Regulerbar fra 0:30 til 24 timer. Når den 24 timers innstillingen er nådd, trykk på UTSETTELSE på nytt for å deaktivere UTSETTELSE-funksjonen.
2. Trykk på START/Pause knappen og lukk døren i løpet av 4 sek. Timer vil begynne nedtellingen.
3. Når denne tiden er utløpt, slås indikatorlampen av og programmet starter automatisk.

Funksjonen UTSETTELSE kan ikke stilles inn etter at programmet har startet.

AVSØKING - Når sensoren registrerer hvor skitne tallerkenene er, vises en animasjon på displayet (rundt 20 min.) og syklusens varighet oppdateres. Avsøkingen gjelder for hvor skitne tallerkenene er og er til stede for alle syklusene (bortsett fra Øko) og justerer programmet etter behov.

FAVORITTPROGRAM - Favorittprogrammet kan enkelt lagres og vil være lett tilgjengelig. Finn programmet ved å benytte FORRIGE/NESTE, og trykk deretter på knappen for FAVORITTPROGRAM i 3 sekund.

LYS PÅ GULVET - Et LED-lys som projiseres på gulvet, indikerer at oppvaskmaskinen er i gang. Lyset slukker når syklusen avsluttes. Denne funksjonen er aktiv som standard, men det er mulig å deaktivere den i "INNSTILLINGSMENYEN".

NaturalDry - Er et system for konveksjonstørking som automatisk åpner døren under/etter tørkefasen for å sikre utmerket tørkeresultat hver dag. Døren åpnes ved en temperatur som er sikker for kjøkkeninnredningen. Som ekstra beskyttelse mot damp, følger spesialdesignet beskyttelsesfolie sammen med oppvaskmaskinen. For å se hvordan det isolerende beskyttelsesfolie skal monteres se INSTALLASJONSVEILEDNINGEN. Denne funksjonen aktiveres som default, men det er mulig å deaktivere den i "INNSTILLINGSMENYEN".

AVKALKING - Alarm - Det er oppdaget kalkavsetninger på de indre komponentene til apparatet. Kontroller at **Innstillingen for Vannets Hardhet** er riktig og at det finnes **salt** i saltbeholderen (se FØRSTE GANGS BRUK), bruk deretter et avkalkingsprodukt (WPro-merket anbefales) med **Selvrensningsprogrammet**. Etter vellykket utføring av avkalkingen, vil ikonet ikke lenger lyse.

Dersom handlingene ovenfor ikke utføres, vil produktets ytelse reduseres. Advarselen AVKALKING begynner å blinke og alarmen «dES» vises på display. Dersom ingen handling tas, vil apparatet tillate at kun et visst antall sykluser kan startes (angitt ved «dES» alarm på display) deretter **BLOKKERES** apparatet for å hindre at det påføres skade på komponenter, **kun programmet Selv-rensende vil være tilgjengelig**. Produktet frigjøres etter at det er utført en fullstendig avkalking. Ved svært store mengder kalk, kan det være nødvendig å utføre avkalkingen to ganger for at det skal være effektivt.

LUKKET VANNKRAN - Alarm - Blinker når det ikke er vanninntak eller vannkranen er lukket.

LASTING AV KURVENE

KAPASITET: 15 standard kuverter

BESTIKKURV

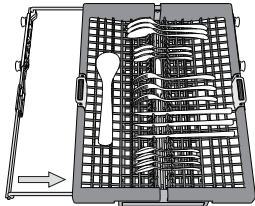
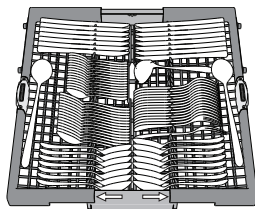
Den tredje kurven ble utformet for å inneholde bestikket.

Plasser bestikket som vist i illustrasjonen.

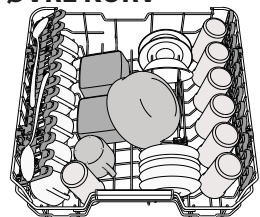
En adskilt plassering av bestikket gjør det lettere å samle det inn etter at det er vasket i tillegg til at det vasker og tørker det bedre.

Kniver og andre kjøkkenredskap må plasseres med bladene vendt nedover.

Bestikkurven er utstyrt med glidene brett som gjør det beste ut av høyden til plassen under og gjør det mulig å plassere høye gjenstander i den øvre kurven.



ØVRE KURV



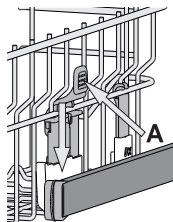
Last ømfintlige og lette tallerkener: glass, kopper, tallerkener og lave salatboller. Den øverste kurven har støtter som brettes opp og som kan anvendes i vertikal posisjon når te/dessertboller plasseres eller lav posisjon for å stable salatboller og bokser.

(eksempel på lasting av den øvre kurven)

Regulering av høyden til den øvre kurven

Høyde til den øvre kurven kan reguleres: høy posisjon for å plassere uregelmessig servise i den nedre kurven og lav posisjon for å gjøre mest mulig ut av de sammenleggbare klaffene ved å skape mer plass i høyden og å unngå kollisjon med gjenstander som er lastet i den nedre kurven. Den øvre kurven er utstyrt med en **Anordning for høydergulering av øvre kurv** (se figur), uten å trykke på spakene, løft den ganske enkelt opp ved å holde på sidene til kurven, så snart kurven er stabil i øvre posisjon. For å gjenopprette den nedre posisjonen, trykk på spakene **A** på sidene til kurven og beveg kurven nedover.

Vi fraråder deg på det sterkeste å regulere høyden til brettet når den er lastet. Du må ALDRI heve eller senke kurven kun på én side.

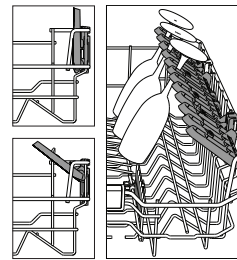


Sammenleggbare klaffer med regulbar posisjon

De sammenleggbare klaffene på siden kan klappes ut eller klappes sammen for å optimere plasseringen av serviset i kurven. Vingglass kan plasseres sikkert i de sammenleggbare klaffene ved å sette stemmen til hvert glass inne i de tilhørende åpningene.

Avhengig av modellen:

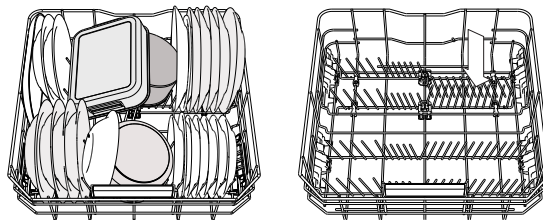
- for å slå ut klaffene er det nødvendig å skyve den opp og rotere den eller frigjøre den fra hektene og trekke den ned.
- for å klappe sammen klaffene er det nødvendig å rotere den og la klaffen gli ned eller dra den opp og feste klaffen til hektene.



NEDRE KURV

For gryter, lokk, tallerkener, salatboller, bestikk etc. Store tallerkener og lokk bør ideelt sett plasseres på sidene for å unngå at de kommer i veien for spylerarmen.

Den nederste kurven har støtter som vendes oppover og som kan anvendes i vertikal posisjon når tallerkener plasseres eller horisontal posisjon (nedre) for å stable kjeler og salatboller på en enkel måte.



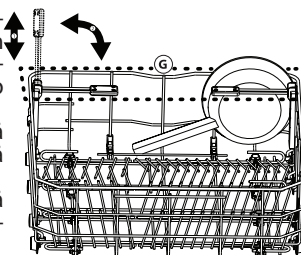
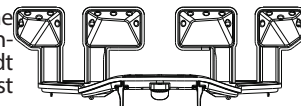
(eksempel på stabling av den nedre kurven)

POWER CLEAN®

Power Clean® bruker de spesielle vandysene bak i rommet for å vaske høye, skitne gjenstander bedre. Ved å plassere kjeler/gryter vendt mot Rområde komponentene vennligst aktivere **POWER CLEAN** på panelet.

Den nedre kurven har et Rområde, en spesiell utdragsstøtte bakerst i kurven som kan benyttes til å støtte stekepanner eller bakepanner i stående posisjon slik at de tar opp mindre plass. Hvordan bruke Power Clean®:

1. Klargjør Power Clean®-området **G** ved å folde ned de bakre tallerkenholderne for å legge inn gryter.
2. Legg inn gryter og kokeredskaper på skrå i Power Clean®-området. Gryter må plasseres på skrå mot vannstrålene.



PLEIE OG VEDLIKEHOLD

RENHOLD AV FILTERENHETEN

Gjør filterenheten ren med jevne mellomrom slik at filtrene ikke tettes til og slik at avløpsvannet flyter vekk på riktig måte.

Bruk av oppvaskmaskinen med tette filter eller fremmedlegemer inne i filterets system eller sprayarmer vil kunne føre til at enheten ikke fungerer som den skal og dårligere resultat, mer støy eller økt ressursforbruk.

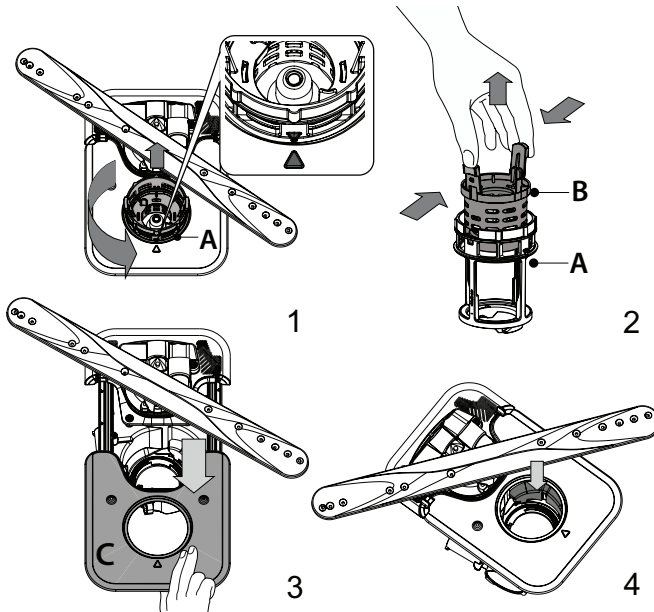
Filterenheten består av tre filtre som fjerner matrester fra vaskevannet og som resirkulerer vannet. De må være rene dersom du ønsker best mulig resultat ved hver vask.

Oppvaskmaskinen må ikke benyttes uten filter eller dersom filteret er løst.

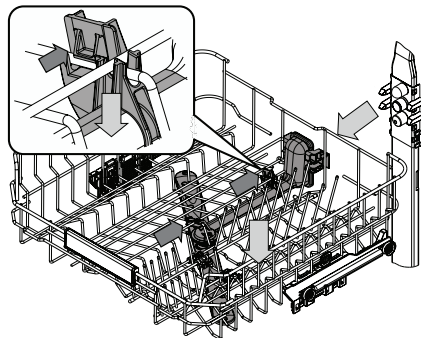
Minst én gang i måneden eller etter 30 sykluser, må du kontrollere filterenheten og gjøre den grundig ren under rennende vann dersom det er nødvendig, bruk en børste som ikke er av metall og følg instruksene nedenfor:

1. Snu det sylindriske filteret **A** i retningen mot urviseren og dra det ut. (Figur 1). **Når du installerer filteret på nytt er det viktig at de to trekantene som er vist på zoom møtes.**
2. Fjern koppfilteret **B** ved å utøve et lettere trykk på klaffene på siden (Figur 2).
3. Skyv ut filterplaten **C** i rustfritt stål (Figur 3).
4. Dersom du finner fremmedlegemer (som glassbiter, porselen, bein, fruktsteiner osv.) må disse fjernes forsiktig.
5. Inspiser fellen og fjern matrestene som måtte ha satt seg fast. **FJERN ALDRI beskyttelsen til vaske-syklus pumpen (vist ved en pil) (Figur 4).**

Etter at du har gjort filtrene rene, sett filterenheten tilbake på plass og juster den i riktig posisjon; dette er helt nødvendig for å oppnå effektiv drift av oppvaskmaskinen.

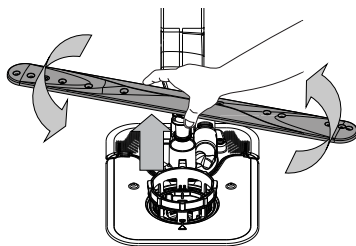


RENHOLD AV SPYLERARMENE

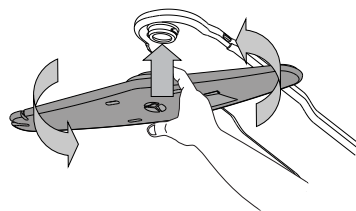


I noen tilfeller kan matrester sette seg fast på sprayarmer og blokkere hullene som vannet sprutes igjennom. Derfor bør du fra tid til annen kontrollere armene og gjøre de rene med en liten børste som ikke er av metall.

For å fjerne den øvre sprayarmen må du fjerne den sammen med manifold.



Den nedre sprayarmen kan fjernes ved å trekke den oppover og rotere den mot urviseren. Sprayarmen monteres tilbake ved å dra den ned og rotere den med urviseren.




Den øvre sprayarmen kan fjernes ved å trekke den oppover og rotere den mot urviseren. Sprayarmen monteres tilbake ved å dra den oppover og rotere den med urviseren.

FEILSØKINGS

Dersom oppvaskmaskinen din ikke fungerer som den skal, kontroller hvorvidt problemet kan løses ved å gå igjennom listen nedenfor. For andre feil eller problem, vennligst ta kontakt med godkjent Ettersalgsservice, kontaktadresse og telefonnummer vil du finne i garantiheftet. Reservedeler vil være tilgjengelig i en periode på enten 7 eller 10 år, i henhold til de spesifikke kravene i forskriftene.

PROBLEM	MULIGE ÅRSAKER	LØSNINGER
Saltindikatoren lyser	Saltbeholderen er nesten tom.	Fyll på mer salt i beholderen (for mer informasjon – se Fylling av Saltbeholder). Kontroller innstillingen av vannets hardhetsnivå, dersom det er nødvendig - se Innstilling av Vannets Hardhetsnivå.
Saltindikatoren blinker	Saltbeholderen er tom.	Etterfyll beholderen med salt så snart som mulig. Dersom du bruker apparatet uten salt kan det oppstå skader på de innvendige komponentene.
Skyllemiddelindikatoren lyser eller blinker	Skyllemiddelbeholderen er tom. (Det er mulig at skyllemiddelindikatoren fortsetter å lyse i en kort tid).	Fyll på mer skyllemiddel i beholderen (for mer informasjon – se Fylling av Dispenser med Skyllemiddel).
Avkalkingsindikatoren lyser eller blinker; „DES“ alarm vises.	Kalk samler seg på de interne komponentene til apparatet.	Avkalk apparatet øyeblikkelig ved å benytte programmet Selv-rensende og et avkalkingsprodukt som er tilgjengelig i handelen (se Opsjoner og Funksjoner). Fyll beholderen med salt. Kontroller innstilling av vannets hardhet. Dersom apparatet ikke avkalkes, vil det ikke lenger virke.
Oppvaskmaskinen starter ikke eller den svarer ikke på kommandoene.	Apparatet er ikke riktig koplet til strømmettet.	Sett støpselet riktig inn i kontakten.
	Strømbrydd.	Av sikkerhetsmessige årsaker er det mulig at oppvaskmaskinen ikke starter opp igjen automatisk når strømmen kommer tilbake. Åpne oppvaskmaskinens dør, trykk på START/Pause-knappen og lukk døren igjen i løpet av 4 sek.
	Døren til oppvaskmaskinen er ikke lukket godt igjen. Pluggen NaturalDry er ikke trukket inn.	Dytt døren kraftig igjen til du hører et "klikk".
	En syklus er avbrutt ved at døren står åpen i mer enn 4 sekund.	Trykk START/Pause og lukk døren i løpet av 4 sekund.
Oppvaskmaskinen drenerer ikke. Displayet viser: F7 E3 eller F9 E1	Filteret er tettet til med matrester eller kalk.	Gjør rent filteret og avkalk apparatet (se Renhold av Filterenheten og Avkalkingsinstruksjer).
	Avløpsslangen er bøyd.	Kontroller dreneringsslangen (se Installasjonsveiledning).
	Vaskens avløp er tett.	Gjør ren avløpet til vasken.
Oppvaskmaskinen skaper for mye støy.	Tallerkenene berører hverandre.	Plasser serviset på riktig måte (se Lasting av Kurvene).
	Det dannes for mye skum.	Det er ikke målt riktig mengde oppvaskmiddel eller oppvaskmiddelet er ikke egnet for oppvaskmaskiner (se Fylling av Oppvaskmiddel i Dispenser). Start den aktuelle syklusen på nytt ved å slå AV oppvaskmaskinen, slå den deretter på igjen, velg et nytt program, trykk på START/Pause og lukk døren innen 4 sekund. Ikke tilsett noe oppvaskmiddel.
	Serviset er ikke stablet på riktig måte.	Plasser servise på riktig måte (se Lasting av Kurvene).
	Filteret er tettet til med matrester eller kalk.	Gjør ren filterenheten (se Pleie og Vedlikehold).
Tallerkenene er ikke rene.	Serviset er ikke stablet på riktig måte.	Plasser servise på riktig måte (se Lasting av Kurvene).
	Sprayarmene roterer ikke fritt, de hindres av tallerkenene.	Plasser servise på riktig måte (se Lasting av Kurvene). Kontroller at den øvre kurven er i riktig posisjon og juster den (løft opp) dersom det er nødvendig.
	Vaskesyklusen er for skånsom.	Velg egnet vaskesyklus (se Programtabell).
	Det dannes for mye skum.	Det er ikke målt riktig mengde oppvaskmiddel eller oppvaskmiddelet er ikke egnet for oppvaskmaskiner (se Fylling av Oppvaskmiddel i Dispenser).
	Lokket på dispenser for skyllemiddel er ikke skikkelig lukket.	Påse at lokket til dispenser for skyllemiddel er lukket.
	Filteret er tettet til med matrester eller kalk.	Gjør rent filteret og utfør avkalking av apparatet (se Renhold av Filterenheten).
Saltbeholderen er tom.	Fyll saltbeholderen (se Fylling av Saltbeholder).	

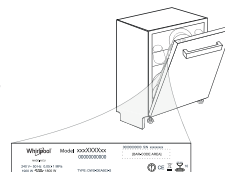
PROBLEM	MULIGE ÅRSAKER	LØSNINGER
Oppvaskmaskinen tar ikke inn vann. Displayet viser: H2O og  lyser akustisk alarm piper.	Det finnes ikke vann i vannforsyningen eller kranen er stengt.	Påse at det er vann i vannforsyningen eller at kranen er åpen.
	Slangen for vanninntak er bøyd.	Kontroller inntaksslangen (se <i>INSTALLASJON</i>). Åpne oppvaskmaskinens dør, trykk på START/Pause-knappen og lukk døren igjen i løpet av 4 sek.
	Silen i slangen for vanninntak er tett; det er ikke nødvendig å gjøre den ren.	Kontroller og gjør ren silen i slangen for vanninntak. Åpne oppvaskmaskinens dør, trykk på START/Pause-knappen og lukk døren igjen i løpet av 4 sek.
Oppvaskmaskinen avslutter syklusen for tidlig. Displayet viser: F8 E3	Filteret er tettet til med matrester eller kalk.	Gjør rent filteret og avkalk apparatet (se <i>RENHOLD AV FILTERENHETEN</i> og <i>AVKALKINGSINSTRUKSER</i>).
	Dreneringsslangen er plassert for lavt eller avledet i husholdningens kloakksystem.	Kontroller at enden på dreneringsslangen er plassert på riktig høyde (se <i>INSTALLASJON</i>). Se etter sifonering i husholdningens kloakksystem, og installer en sifongbryter/luftinnløpsventil dersom det er nødvendig.
	Det dannes for mye skum.	Det er ikke målt riktig mengde oppvaskmiddel eller oppvaskmiddelet er ikke egnet for oppvaskmaskiner (se <i>FYLLING AV OPPVASKMIDDEL I DISPENSEREN</i>).
	Luft i vannforsyningen.	Se etter lekkasjer eller andre problem i vannforsyningen som fører til at det finnes luft i den.
Tallerkenene er ikke tørket godt nok.	Skyllmiddel mangler eller doseringen er for lav.	Påse at skyllemiddeldispenseren er fylt (se <i>FYLLING AV DISPENSER MED SKYLLEMIDDEL</i>). Kun fler-funksjonelle tabletter gir ikke samme tørkende effekt som bruken av flytende skyllemiddel.
	Tallerkenene er tatt ut etter at døren automatisk ble åpnet men før den aktuelle syklusen ble avsluttet.	Påse at syklusen er avsluttet før du starter å ta ut tallerkenene (se <i>DAGLIG BRUK</i>). For enda bedre tørkeresultat, anbefaler vi at tallerkenene blir værende inne i oppvaskmaskinen med døren oppe i ytterligere 15 minutter etter at syklusen avsluttes.
	Tallerkenene er plassert for flate.	Hvis du oppdager at det har dannet seg vann i kopper, mugger eller boller, forsøk å sette inn tallerkenene (spesielt i den øvre kurven) med større helning for at vannet skal dryppe ned før tørkingen starter.
	Den valgte syklusen har ikke tørkefasen.	Vennligst kontroller i <i>PROGRAMTABELL</i> hvorvidt det valgte programmet har en tørkefase. Det er mulig at syklus uten tørkefasen ikke oppnår ønsket tørkeeffekt, derfor anbefaler vi at syklusen endres til en som har tørkefasen.
	Tallerkenene er laget av teflon eller plast.	Det er normalt at noen vanndråper blir liggende på denne typen material.
Tallerkener og glass har blå striper eller blålig skjær.	Skyllmiddelets dosering er for kraftig.	Juster doseringen til lavere innstilling.
Tallerkener og glass er dekket med kalk eller et hvitt lag.	Saltbeholderen er tom.	Etterfyll beholderen med salt så snart som mulig. Dersom du bruker apparatet uten salt kan det oppstå skader på de innvendige komponentene.
	Innstilling av vannets hardhet er for lav.	Øk innstillingen (se <i>TABELL FOR VANNETS HARDHET</i>).
	Lokket til saltbeholderen er ikke riktig lukket.	Kontroller og lukk lokket på saltbeholderen.
Oppvaskmaskinen viser F8 E5	Beholderen med skyllemiddel er tom eller doseringen av skyllemiddel er ikke tilstrekkelig.	Fyll på mer skyllemiddel i beholderen og kontroller doseringsinnstillingen (for mer informasjon - se <i>FYLLING AV DISPENSER MED SKYLLEMIDDEL</i>).
	Ventil er tett eller har feil.	Steng vannkranen, dersom det er mulig. Ikke slå av strømforsyningen. Ring servicen.



Retningslinjer, standarddokumentasjon, bestilling av reservedeler og ekstra produktinformasjon vil du:

- Ved å benytte QR-koden og besøke vårt nettsted docs.whirlpool.eu
- Besøke vårt nettsted parts-selfservice.whirlpool.com
- Alternativt kan du **kontakte vår Ettersalgsservice** (se telefonnummeret i garantiheftet). Når du kontakter vår Ettersalgsservice, vennligst oppgi kodene du finner på produktets typeskilt.

Du vil få tilgang til informasjonen om modellen ved å benytte QR-koden du finner på energietiketten. Etiketten inneholder også modellidentifikatoren som kan benyttes for å konsultere portalen til registeret på <https://eprel.ec.europa.eu>





DZIĘKUJEMY ZA ZAKUP PRODUKTU WHIRLPOOL
Aby uzyskać kompleksową pomoc, prosimy zarejestrować urządzenie na stronie: www.whirlpool.eu/register.

Przed rozpoczęciem użytkowania urządzenia należy uważnie przeczytać instrukcję bezpieczeństwa i instrukcję montażu. Więcej informacji na temat produktu można znaleźć na stronie internetowej: docs.whirlpool.eu

! Po instalacji prosimy pamiętać o wyjęciu ze zmywarki wszystkich elementów zabezpieczających w czasie transportu.

PANEL STEROWANIA

1. Przycisk i kontrolka **WŁ.-WYŁ./Reset**
2. Przycisk wyboru programu **POPZEDNI**
3. Przycisk wyboru programu **NASTĘPNY**
4. Przycisk i kontrolka wyboru programu **ULUBIONY**
5. Kontrolka **Brak soli**
6. Kontrolka **Brak płynu nablyszczającego**
7. Kontrolka **ODKAMIENIANIE**
8. Kontrolka **Zawór Wody Zamknięty**
9. **Wyświetlacz**
10. **Numer programu i wskaźnik pozostałego czasu**
11. Przycisk i kontrolka **opcji Power Clean®**



12. Przycisk i kontrolka **opcji Połowa Załadunku/ Ustawienia** - wciskanie przycisku przez 3 sek.
13. Przycisk i kontrolka **opcji Dodatkowe Suszenie**
14. Przycisk i kontrolka **opcji Opóźnienie**
15. Przycisk i kontrolka **START/Pauza**

PIERWSZE UŻYCIĘ

MENU USTAWIENI

1. Włączyć urządzenie, naciskając przycisk **WŁ.-WYŁ.** (⏻).
2. Nacisnąć i przytrzymać przycisk **Ustawienia** (⚙️) (Połowa Załadunku (⏻)) przez 3 sekundy, do momentu aż rozlegnie się sygnał dźwiękowy a na wyświetlaczu pojawi się komunikat „**SET**”.
3. Po jednej sekundzie wyświetli się pierwsze dostępne ustawienie (litera „**h**”).
4. Wcisnąć przycisk **POPZEDNI/NASTĘPNY**, aby przewinąć listę dostępnych ustawień (patrz tabela poniżej), następnie wcisnąć **START/Pauza** (⏻) aby podejrzeć i zmienić wartość wybranego obecnie ustawienia.
5. Wcisnąć **POPZEDNI/NASTĘPNY**, aby zmienić wartość, następnie wcisnąć **START/Pauza** (⏻), aby zapisać nową wartość i wrócić do menu głównego.
6. Aby zmienić inne ustawienie, powtórzyć punkty 4 i 5.
7. Wcisnąć **WŁ.-WYŁ.** (⏻) lub odczekać 30 sekund aby wyjść z menu.

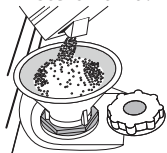
LITERA	USTAWIENIE	WARTOŚCI (Domyślne - pogrubioną czcionką)
h	Poziom twardości wody (patrz „USTAWIENIE TWARDOŚCI WODY” oraz „TABELA TWARDOŚCI WODY”)	1 2 3 4 5
f	Poziom dozowania nablyszczacza (patrz „REGULACJA DOZOWANIA PŁYNU NABLyszczAJĄCEGO”)	0 1 2 3 4 5
o	NaturalDry (patrz „OPCJE I FUNKCJE”) „1” = Wł., „0” = Wył.	1 0
l	Światło skierowane na podłogę (patrz „OPCJE I FUNKCJE”) „1” = Wł., „0” = Wył.	1 0
d	Dźwięk „1” = Wł., „0” = Wył.	1 0
r	Ustawienia fabryczne Wcisnąć przycisk START/Pauza, aby przywrócić domyślne ustawienia fabryczne dla wszystkich wartości zawartych w menu ustawienia.	-

NAPEŁNIANIE ZBIORNIKA SOLI

Zastosowanie soli zapobiega tworzeniu się KAMIENIA na naczyniach i funkcjonalnych podzespołach zmywarki.

Zbiornik soli jest zlokalizowany w dolnej części zmywarki (pod koszem dolnym po lewej stronie).

- Konieczne jest, aby **ZBIORNIK SOLI NIGDY NIE BYŁ PUSTY**.
- Ważne też jest odpowiednio ustawić twardości wody.
- Należy uzupełnić sól, gdy kontrolka **BRAK SOLI** (⚠️) świeci się na panelu sterowania.



1. Wyjąć dolny kosz i odkręcić korek zbiornika (w kierunku przeciwnym do ruchu wskazówek zegara).
2. Umieścić lejek (patrz rys.) i wysypać sól aż do krawędzi zbiornika (około 0,5 kg); niewielki wyciek wody jest tu normalny.
3. **Tylko podczas wykonywania czynności po raz pierwszy: Napełnić zbiornik soli wodą.**

4. Wyjąć lejek i wytrzeć resztki soli wokół otworu. Upewnić się, czy korek jest mocno dokręcony, aby detergent nie mógł przedostać się do zbiornika podczas programu zmywania (mogłoby to spowodować nienaprawialne uszkodzenie zmiękczacza wody).

Za każdym razem, gdy tylko ukończone zostanie uzupełnianie soli, należy włączyć jeden z programów zmywania, aby zapobiec korozji.

Ustawienie twardości wody

Aby zmiękczyć wody działa idealnie, istotne jest ustawienie twardości wody na podstawie rzeczywistej twardości doprowadzanej wody. Tę informację można uzyskać od lokalnego dostawcy wody.

Zakład produkcyjny ustawia domyślną wartość „3” dla twardości wody. Zobacz „TABELA TWARDOŚCI WODY”.

Aby zmienić ustawienie, należy wykonać czynności zgodnie z instrukcjami podanymi w rozdziale „MENU USTAWIENI”.

Tabela twardości wody

Poziom	Tabela twardości wody		
	°dH St. niemieckie	°fH St. francuskie	°Clark St. brytyjskie
1 (miękka)	0 - 6	0 - 10	0 - 7
2 (średnia)	7 - 11	11 - 20	8 - 14
3 (przeciętna)	12 - 16	21 - 29	15 - 20
4 (twarda)	17 - 34	30 - 60	21 - 42
5 (bardzo twarda)	35 - 50	61 - 90	43 - 62

Należy stosować wyłącznie taką sól, która jest specjalnie przeznaczona do zmywarek.

Po wysypaniu soli do zmywarki kontrolka **BRAK SOLI** gaśnie.

Jeśli pojemnik z solą jest pusty, istnieje ryzyko uszkodzenia zmiękczacza wody oraz grzałki z powodu nagromadzenia osadu.

Stosowanie soli jest zalecane z każdym rodzajem detergentu do zmywarek.

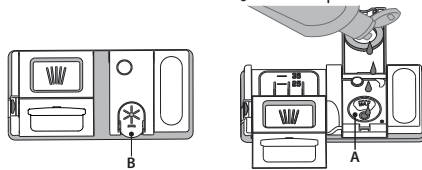
SYSTEM ZMIĘKCZANIA WODY

Zmiękczacze wody automatycznie zmniejsza twardość wody, tym samym zapobiegając nagromadzeniu osadu na grzałce co z kolei przyczynia się do większej wydajności zmywania. **System sam regeneruje się przy pomocy soli, zatem zbiornik soli należy uzupełniać jak tylko będzie pusty.** Częstotliwość regeneracji zależy od ustawienia poziomu twardości wody - regeneracja następuje raz na 4-6 cykli Eko, kiedy twardość wody ustawiona jest na poziomie 3. Proces regeneracji zachodzi na początku cyklu z dodatkową świeżą wodą.

- Podczas jednej regeneracji: ~Zużycie 3 L wody;
- Dodatkowe 5 minut cyklu;
- Zużycie poniżej 0,005 kWh energii elektrycznej.

NAPEŁNIANIE DOZOWNIKA PŁYNU NABLyszczAJĄCEGO

Płyn nablyszczający ułatwia **SUSZENIE** naczyń. Dozownik płynu nablyszczającego **A** powinien zostać napełniony, gdy kontrolka **BRAK PŁYNU NABLyszczAJĄCEGO** (⚠️), świeci się na panelu sterowania.



1. Otworzyć dozownik **B**, naciskając i podnosząc kłapkę na pokrywkę.

2. Ostrożnie wlewać płyn nablyszczający, aż do kreski oznaczającej maksymalny poziom napełnienia (110 ml) - unikać rozlania płynu. Jeśli tak się stanie,

należy natychmiast wytrzeć rozlany płyn suchą szmatką.

3. Zatrzasnąć pokrywkę.

NIGDY nie wlewać płynu nablyszczającego bezpośrednio do komory zmywarki.

Regulacja dozowania płynu nablyszczającego

Jeśli rezultaty suszenia nie są w pełni zadowalające, można wyregulować dozowanie używanego płynu nablyszczającego.

Aby zmienić ustawienie, należy wykonać czynności zgodnie z instrukcjami podanymi w rozdziale „MENU USTAWIENI”.

Jeśli poziom dozowania płynu nablyszczającego został ustawiony na ZERO, płyn nablyszczający nie będzie dozowany. Kontrolka **BRAK PŁYNU NABLyszczAJĄCEGO** nie będzie świecić, jeśli zabraknie płynu nablyszczającego.

Można ustawić maksymalnie 6 poziomów, zależnie od modelu zmywarki.

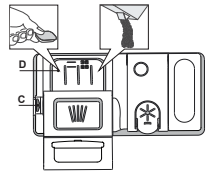
- Jeśli na naczyniach są widoczne niebieskawe smugi, należy ustawić niski poziom (0-3).
- Jeśli na naczyniach pozostają krople wody lub oznaki kamienia, należy ustawić wysoki poziom (4-5).

NAPEŁNIANIE DOZOWNIKA DETERGENTU

Aby otworzyć dozownik detergentu, użyć urządzenia do otwierania

C. Detergent wsypywać/wlewać tylko do suchego zasobnika D.

Detergent przeznaczony do mycia wstępnego wsypywać/wlewać bezpośrednio do komory zmywarki.



1. Odmierzając dawkę detergentu, należy uwzględnić informacje podane powyżej, aby dodana ilość detergentu była prawidłowa. Wewnątrz dozownika **D** znajdują się oznaczenia ułatwiające dozowanie detergentu.
2. Przed zatrzaśnięciem pokrywy usunąć pozostałości detergentu z krawędzi dozownika.
3. Zamknąć pokrywkę dozownika detergentu, pociągając ją w górę tak, aż urządzenie zamykające zostanie zablokowane na swoim miejscu.

CODZIENNA EKSPLOATACJA

1. SPRAWDZENIE PRZYŁĄCZA WODY

Sprawdzić, czy zmywarka jest podłączona do instalacji wodnej i czy zawór wody jest otwarty.

2. WŁĄCZANIE ZMYWARKI

Otwórz drzwiczki i naciśnij przycisk **WŁ.-WYŁ.**

3. WKŁADANIE NACZYŃ DO KOSZA (patrz ŁADOWANIE KOSZY).

4. NAPEŁNIANIE DOZOWNIKA DETERGENTU

5. WYBÓR PROGRAMU I DOSTOSOWANIE CYKLU

Wybierz najbardziej odpowiedni program, dostosowany do typu naczyń stołowych i poziomu ich zabrudzenia (patrz **OPIS PROGRAMÓW**), naciskając przyciski **POPZEDNI/NASTĘPNY**. Wybierz żądane opcje (patrz **OPCJE I FUNKCJE**). Nie wszystkie opcje są przystosowane do wszystkich programów.

6. START

Uruchom cykl zmywania naciskając przycisk **START/Pauza** (diody LED świeci) i zamykając drzwiczki w przeciągu 4 sekund. Po uruchomieniu programu urządzenie wyemituje pojedynczy sygnał dźwiękowy. Jeśli drzwiczki nie zostaną zamknięte w przeciągu 4 sekund, rozlegnie się dźwięk alarmu. W takim przypadku otwórz drzwiczki, naciśnij przycisk **START/Pauza** i ponownie zamknij drzwiczki w przeciągu 4 sekund.

7. KONIEC CYKLU ZMYWANIA

Koniec cyklu zmywania jest sygnalizowany przez sygnał dźwiękowy oraz za pomocą komunikatu **END (KONIEC)** na wyświetlaczu. Otwórz drzwiczki i wyłącz urządzenie, naciskając przycisk **WŁ.-WYŁ.**

Przed wyjściem naczyń odczekaj kilka minut - aby uniknąć oparzenia. Wyjmij naczynia, zaczynając od dolnego kosza.

Dozownik detergentu otwiera się automatycznie w odpowiednim czasie, zgodnie z danym programem.

Zastosowanie detergentów nieprzeznaczonych do użytku w zmywarkach może spowodować nieprawidłowe działanie lub uszkodzenie urządzenia.

ZMIANA URUCHOMIONEGO PROGRAMU

Jeżeli wybrany został niewłaściwy program, można go zmienić, pod warunkiem, że program dopiero się rozpoczął. **PONÓWNE USTAWIENIE** maszyny: naciśnij i przytrzymaj przycisk **WŁ.-WYŁ.** przez ponad 3 sekundy i maszyna się wyłączy. **Na tablicy wskaźników wyświetli się komunikat „0:01”**. Zamknij drzwiczki i poczekaj, aż zakończy się cykl spuszczenia wody (około 1 minuty). Otwórz drzwiczki i włącz z powrotem urządzenie za pomocą przycisku **WŁ.-WYŁ.** i wybrać nowy cykl zmywania oraz żądane opcje. Uruchom cykl, naciskając przycisk **START/Pauza** i zamykając drzwiczki w przeciągu 4 sekund.

DODAWANIE DODATKOWYCH NACZYŃ STOŁOWYCH

Bez wyłączania zmywarki lekko uchyl drzwiczki, aby uniknąć rozpryskiwania się wody na zewnątrz (diody **START/Pauza** zaczyna migać) (**Uwaga! Gorąca para!**) i umieść naczynia wewnątrz zmywarki. Naciśnij przycisk **START/Pauza** i zamknij drzwiczki w przeciągu 4 sekund. Cykl będzie kontynuowany od momentu, w którym został przerwany.

PRZYPADKOWE PRZERWANIE CYKLU

Jeżeli drzwiczki zostaną otwarte w trakcie trwania cyklu zmywania lub jeśli nastąpiła przerwa w dopływie prądu, cykl zostanie wstrzymany. Zamknij drzwiczki i **JEDYNIÉ WÓWCZAS, GDY** naciśniesz przycisk **START/Pauza** i zamkniesz drzwiczki w przeciągu 4 sekund, cykl będzie kontynuowany od momentu, w którym został przerwany.

PORADY I WSKAZÓWKI

PORADY

Przed włożeniem naczyń do kosza, należy usunąć wszystkie resztki jedzenia i opróżnić szklanki. **Nie trzeba ich wcześniej płukać pod bieżącą wodą.**

Rozmieść naczynia tak, aby były mocno utrzymywane na miejscu i nie mogły się przewrócić; pojemniki ułożyć tak, aby ich otwory były skierowane w dół, a wklęsłe/wypukłe elementy były ustawione ukośnie, dzięki czemu woda będzie mogła docierać do każdej powierzchni i swobodnie przepływać.

Ostrzeżenie: pokrywki, uchwyty, tace i patelnie nie mogą uniemożliwiać obracania się ramion natryskowych.

Wszystkie małe przedmioty należy umieszczać w koszyku na sztućce.

Bardzo zabrudzone naczynia i patelnie powinny być umieszczane w dolnym koszu, ponieważ w tej części komory zmywarki strumienie wody są silniejsze i zmywanie jest bardziej skuteczne.

Po włożeniu naczyń do zmywarki trzeba sprawdzić, czy ramiona natryskowe mogą obracać się swobodnie.

NACZYNNIA NIE NADAJĄCE SIĘ DO ZMYWANIA W ZMYWARKACH

- Naczynia i sztućce drewniane.
- Szklanki z delikatnym zdobieniem, wyroby artystyczne lub naczynia zabytkowe. Ich zdobienia nie są odporne.
- Elementy z tworzywa sztucznego, które nie są odporne na wysokie temperatury.
- Naczynia miedziane i cynowe.
- Naczynia zabrudzone popiołem, woskiem, smarem lub tuszem.

Kolory szklanych dekoracji oraz aluminiowe/srebrne części mogą zmienić się lub ściemnieć podczas zmywania. Niektóre rodzaje wyrobów szklanych (np. kryształ) mogą stracić przezroczystość po zbyt wielu cyklach zmywania.

USZKODZENIE NACZYŃ SZKLANYCH I PORCELANOWYCH

- W zmywarkach można myć tylko takie naczynia szklane i porcelanowe, których producent deklaruje, że są przeznaczone do zmywarek.
- Używać delikatnego detergentu, przeznaczonego do porcelany
- Naczynia szklane i porcelanowe należy wyjmować ze zmywarki, jak tylko zmywanie się skończy.

WSKAZÓWKI DOTYCZĄCE OSZCZĘDZANIA ENERGII

- Jeśli zmywarka domowa użytkowana jest zgodnie z zaleceniami producenta, **zmywanie naczyń w zmywarce zazwyczaj pochłania MNIEJ ENERGII ELEKTRYCZNEJ i mniej wody niż zmywanie ręczne.**

- Aby maksymalnie zwiększyć wydajność zmywarki, **należy uruchamiać cykl zmywania po pełnym załadunku urządzenia.** Ładowanie zmywarki domowej w stopniu zalecanym przez producenta przyczyni się do oszczędności energii elektrycznej i wody. Informacje na temat prawidłowego ładowania naczyń w zmywarce można odnaleźć w rozdziale **ŁADOWANIE KOSZY**. W przypadku częściowego załadunku, zaleca się skorzystanie ze specjalnych opcji, jeśli są one dostępne (Połowa załadunku/ Zmywanie strefowe/ Wiele stref), wypełniając jedynie wybrane kosze. Nieprawidłowe lub nadmierne ładowanie zmywarki może spowodować zwiększenie zużycia mediów (np. wody, energii, czasu lub zwiększenie poziomu hałasu), co wpływa negatywnie na wydajność suszenia.
- Ręczne spłukiwanie naczyń przyczynia się do większego zużycia wody i energii elektrycznej i nie jest zalecane.

DEZYNFEKCJA ZMYWARKI

Aby uniknąć powstawania nieprzyjemnych zapachów i tworzenia się osadów, które mogą pojawić się w zmywarce, **należy co najmniej raz w miesiącu włączyć program z wysoką temperaturą.** Aby wyczyścić zmywarkę, należy wsypać/wlać jedną łyżeczkę detergentu i włączyć program bez wkładania naczyń.

ODPORNOŚĆ NA NISKIE TEMPERATURY

Jeśli urządzenie jest umieszczone w środowisku narażonym na ryzyko niskich temperatur, **należy je całkowicie opróżnić z wody.** Zamknij zawór wody i odłącz wąż doprowadzający wodę oraz wąż spustowy, a następnie pozwól na wypłynięcie z nich wody. **Sprawdź, czy ze zbiornika soli jest wypełniony rozpuszczoną solą regeneracyjną w zbiorniku soli,** aby chronić urządzenie przed temperaturami aż do -20 °C. Jeżeli urządzenie było przechowywane w warunkach niskich temperatur, przed pierwszym uruchomieniem musi ono pozostać w temperaturze otoczenia wynoszącej min. 5°C przez przynajmniej 24 godziny.

TABELA PROGRAMÓW

Program	Opis programów	Faza suszenia	NaturalDry	Dostępne opcje *)	Czas trwania programu zmywania (godz.:min)**)	Zużycie wody (litry/cykl)	Zużycie energii (kWh/cykl)
P1 Eco	Eko 50° - program jest przeznaczony do mycia naczyń o zwykłym stopniu zabrudzenia; dla tego zastosowania jest to najbardziej wydajny program pod względem zużycia energii elektrycznej i wody oraz w takim zastosowaniu program ten uzyskał certyfikat zgodności z dyrektywą unijną Ecodesign.	✓	✓		3:30	9,5	0,76
P2	Automatyczny Intensywny 65° - Automatyczny program do zmywania mocno zabrudzonych garnków i talerzy.	✓	✓		2:25-3:10	15,5-24,5	1,30-1,70
P3	Automatyczny Mieszany 55° - automatyczny program do normalnie zabrudzonych naczyń z zaschniętymi resztkami jedzenia.	✓	✓		1:20-3:00	7,5-19,5	0,75-1,20
P4	Automatyczny Szybki 50° - automatyczny program do średnio i lekko zabrudzonych naczyń. Cykl od codziennego stosowania, który zapewnia optymalne rezultaty zmywania i suszenia w krótszym czasie.	✓	✓		1:00-1:50	7,5-15,5	0,70-1,10
P5	Szybki 45° - Program należy stosować przy połowie załadunku lub lekko zabrudzonych naczyniach, na których nie zalegają resztki jedzenia. Nie ma fazy suszenia.	-	✓		0:30-0:40	10-12	0,55-0,65
P6	Kryształ 45° - Program do mycia delikatnych naczyń, które są bardziej wrażliwe na wysoką temperaturę, np. szklanki i kubeczki.	✓	✓		1:40-1:50	12,5-16,5	0,95-1,20
P7	Cichy 55° - Odpowiedni do zmywania w nocy. Zapewnia optymalne rezultaty zmywania i suszenia przy najniższej emisji hałasu.	✓	✓		3:50-4:10	10,5-14,5	0,80-1,15
P8	Dezynfekujący 65° - Średnio lub bardzo zabrudzone naczynia, z dodatkowym działaniem antybakteryjnym. Można wykorzystywać do wykonania czynności związanych z konserwacją zmywarki.	✓	-		1:55-2:10	12-19	1,40-1,80
P9	Mycie wstępne - Oplukiwanie naczyń przeznaczonych do późniejszego mycia. W tym programie nie używa się żadnego detergentu.	-	✓		0:12	4,5	0,10
P10	Samooczyszczenie 65° - Program przeznaczony do przeprowadzania konserwacji zmywarki, tylko w przypadku gdy zmywarka jest PUSTA, z zastosowaniem specjalnych detergentów służących do konserwacji zmywarki.	-	-		1:15	11,0	1,10

Dane Programu Eko uzyskano na podstawie pomiarów wykonanych w warunkach laboratoryjnych zgodnie z normą europejską EN 60436:2020. Uwaga dla laboratoriów testowych: szczegółowe informacje dotyczące warunków testów porównawczych EN można uzyskać pod adresem: dw_test_support@whirlpool.com

Przed żadnym z tych programów nie ma potrzeby wstępnego przygotowania naczyń.

*) Nie wszystkie opcje mogą być używane jednocześnie.

**) Wartości podane dla innych programów niż program Eko mają charakter referencyjny. Rzeczywisty czas może się zmieniać w zależności od wielu czynników, takich jak temperatura i ciśnienie dopływającej wody, temperatura otoczenia, ilość detergentu, wielkość i typ załadunku oraz jego wyważenie, a także od dodatkowych wybranych opcji i kalibracji czujnika. Kalibracja czujnika może wydłużyć czas trwania programu aż o 20 min.

OPCJE I FUNKCJE

OPCJE można wybierać/ anulować wybór bezpośrednio po wybraniu programu, naciskając odpowiedni przycisk (jeśli jest dostępny – zapala się kontrolka) (patrz PANEL STEROWANIA). Jeśli dana opcja nie może być używana z wybranym programem (patrz TABELA PROGRAMÓW), odpowiednia dioda LED mignie szybko 3 razy i będzie słychać sygnał dźwiękowy. Opcja nie zostanie włączona. Opcja może zmienić czas lub zużycie wody lub energii dla programu.

POWER CLEAN® - Dzięki dodatkowym silnym dyszom ta opcja zapewnia bardziej intensywne i dokładne mycie w koszu dolnym, w określonym jego obszarze. Opcja ta jest polecana do mycia garnków i patelni. (Prosimy zapoznać się z częścią dotyczącą obciążenia Power Clean®).

POŁOWA ZAŁADUNKU - Jeśli nie ma wielu naczyń do zmywania, używany jest program połowy załadunku, w celu oszczędzania wody, energii elektrycznej lub czasu, w zależności od wybranego programu. **Należy pamiętać, aby zmniejszyć ilość detergentu.**

WYKRYWANIE - kiedy czujnik wykryje poziom zabrudzenia, na wyświetlaczu pojawi się animacja (około 20 min.), a długość cyklu zmywania zostanie jest aktualizowany. Funkcja wykrywania służy do pomiaru poziomu zabrudzenia naczyń i jest ona obecna we wszystkich cyklach (z wyjątkiem trybu Eko), dostosowując odpowiednio program.

NaturalDry - to konwekcyjny system suszenia, który automatycznie otwiera drzwiczki podczas/po fazie suszenia, aby zapewnić doskonałe rezultaty suszenia każdego dnia. Drzwiczki można otworzyć po osiągnięciu temperatury bezpiecznej dla mebli kuchennych. Do zmywarki dołączono specjalnie zaprojektowaną folię ochronną która pełni funkcję dodatkowej ochrony przed parą. Prosimy zapoznać się z INSTRUKCJĄ INSTALACJI, aby dowiedzieć się, jak zamontować folię ochronną. Ta funkcja jest domyślnie ustawiona jako aktywna, jednak można ją wyłączyć w "MENU USTAWIEN".

ŚWIATŁO SKIEROWANE NA PODŁOGĘ - Lampka LED świecąca na podłogę wskazuje, że zmywarka działa. Lampka wyłącza się po zakończeniu cyklu. Ta funkcja jest domyślnie ustawiona jako aktywna, jednak można ją wyłączyć w "MENU USTAWIEN".

OPÓŹNIENIE - Włączenie programu można opóźnić o pewien czas, od 30 minut do 24 godzin.

- Wybrać program i którąkolwiek z żądanych opcji. Naciskając przycisk OPOŹNIENIE (kilkukrotnie), aby opóźnić rozpoczęcie programu. Dostępna jest regulacja w zakresie od pół godziny do 24 godzin. Gdy osiągnięte zostanie ustawienie 24 godzin, wcisnąć przycisk OPOŹNIENIE kolejny raz, aby dezaktywować funkcję OPOŹNIENIE.
- Wcisnąć przycisk START/Pauza i zamknąć drzwi w przeciągu 4 sek. Zegar zacznie odliczanie.
- Po upływie ustawionego czasu kontrolka gaśnie, a program włącza się automatycznie.

Funkcja OPOŹNIENIE nie może być ustawiana po włączeniu się programu.

ODKAMIENIANIE - Alarm - Wykryto nagromadzenie kamienia na wewnętrznych elementach urządzenia. Sprawdzić, czy **Ustawienie Twardości Wody** ma prawidłową wartość, a **sól** jest obecna w pojemniku na sól (patrz PIERWSZE UŻYCIE), a następnie **użyć produktu do odkamieniania** (zalecana jest marka WPro) i włączyć program **Samooczyszczanie**. Po udanym odkamienianiu ikona nie będzie już wyświetlana.

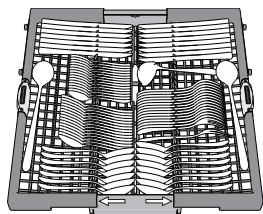
Jeśli opisane powyżej czynności nie zostaną wykonane, wydajność maszyny się pogorszy. Ostrzeżenie «Odkamienianie» zacznie mrugać, a alarm «dES» pojawi się na wyświetlaczu. Jeśli nadal nie podjęte zostanie żadne działanie, urządzenie umożliwi włączenie jedynie pewnej ilości cykli (wskazanej podczas wyświetlania alarmu «dES») a następnie zostanie **ZABLOKOWANE**, aby zapobiec uszkodzeniu elementów urządzenia, a **dostępny będzie jedynie program Samooczyszczanie**. Przeprowadzenie pełnego odkamieniania odblokuje urządzenie. W przypadku wyjątkowo dużych ilości kamienia, możliwe, że trzeba będzie wykonać odkamienianie dwa razy, aby było skuteczne.

ZAWÓR WODY ZAMKNIĘTY - Alarm - Miga, gdy nie jest doprowadzana woda lub zawór wody jest zamknięty.

ULUBIONY PROGRAM - Ulubiony program można zapisać i będzie łatwo dostępny. Znaleźć program przy użyciu przycisku POPRZEDNI/NASTĘPNY, a następnie wcisnąć i przytrzymać przycisk ULUBIONEGO PROGRAMU przez 3 sekundy.

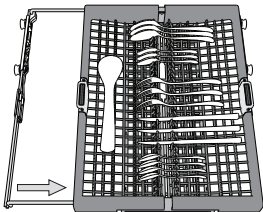
ŁADOWANIE KOSZY

PÓŁKA-KOSZ NA SZTUĆCE



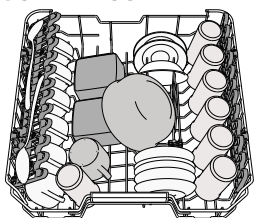
Trzecia półka-kosz jest przeznaczona do umieszczenia sztućców. Sztućce należy wkładać tak, jak to pokazano na rysunku. Rozdzielone ułożenie sztućców ułatwia ich wyjmowanie po zmywaniu i zapewnia lepsze wysuszenie.

Noże i inne akcesoria o ostrych czubkach i krawędziach należy układać ostrzami skierowanymi w dół.



Półka na sztućce jest wyposażona w dwie przesuwne boczne półki, aby uzyskać jak najwyższą przestrzeń pod spodem i umożliwić umieszczenie wysokich naczyń w górnym koszu.

GÓRNY KOSZ



Tu należy wkładać delikatne i lekkie naczynia: szklanki, filiżanki, talerzki, małe miseczki do sałatek. Górny kosz jest wyposażony w podnoszone wsporniki, które mogą być używane w pozycji pionowej przy wkładaniu spodeczków/talerzyków deserowych lub w pozycji opuszczonej, przy wkładaniu misek i pojemników na żywność.

(przykładowe załadowanie górnego kosza)

Regulacja wysokości górnego kosza

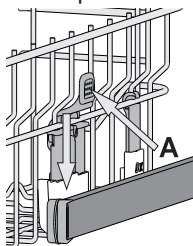
Wysokość górnego kosza można wyregulować: wyższe położenie umożliwia umieszczenie dużych naczyń w dolnym koszu, a niższe pozwala na najwyższe ustawienie podnoszonych wsporników, co daje więcej miejsca u góry, a jednocześnie pozwala uniknąć stykania się z naczyniami umieszczonymi w dolnym koszu.

Górny kosz jest wyposażony w **regulator wysokości górnego kosza** (patrz ilustracja); bez naciskania dźwigni, można łatwo podnieść kosz trzymając go za boczne części i umieszczając stabilnie w górnym położeniu.

Aby przywrócić dolne położenie, nacisnąć dźwignieki **A** po bokach kosza i przesunąć kosz w dół.

Zdecydowanie zalecamy, aby nie regulować wysokości kosza, gdy jest załadowany.

NIGDY nie podnosić lub opuszczać kosza tylko z jednej strony.



UTRZYMANIE I KONSERWACJA

CZYSZCZENIE ZESPOŁU FILTRA

Zespół filtra należy regularnie czyścić, zapobiegając jego zapychaniu i zapewniając prawidłowy odpływ ścieków.

Używanie zmywarki, w której zablokowane są filtry lub zawierającej ciała obce w układzie filtrowania może spowodować nieprawidłowe działanie urządzenia, co prowadzi do obniżenia wydajności, głośniejszej pracy lub większego wykorzystania mediów.

Zespół filtra składa się z trzech filtrów, które usuwają resztki jedzenia z myjącej wody, a następnie umożliwiają jej obieg: aby uzyskać najlepsze rezultaty zmywania, należy utrzymywać je w czystości.

Nie wolno używać zmywarki bez filtrów lub jeśli filtry są źle zamocowane.

Co najmniej raz na miesiąc lub po każdym 30 cyklach zmywania należy sprawdzić zespół filtra i w razie potrzeby oczyścić go dokładnie pod bieżącą wodą za pomocą szczoteczki z nie-metalowym włosiem i postępując zgodnie z poniższymi instrukcjami:

1. Odkręcić filtr cylindryczny **A** w kierunku ruchu wskazówek zegara i wyciągnąć go (Rys. 1). **Ważne jest, aby przy ponownym montażu filtra, dwa trójkąty pokazane na zbliżeniu, spotkały się.**
2. Zdjąć korek filtra **B** lekko naciskając boczne klapy (Rys. 2).
3. Wysunąć filtr płytkowy ze stali nierdzewnej **C** (Rys. 3).
4. W przypadku odnalezienia ciał obcych (np. potłuczonego szkła, porcelany, kości, pestek owoców itp.), **należy je ostrożnie wyjąć.**
5. Sprawdzić syfon i usunąć wszelkie resztki potraw. **NIGDY NIE NALEŻY WYJMOWAĆ** osłony pompy cyklu myjącego (pokazane strzałką) (Rys. 4).

Po oczyszczeniu filtrów założyć z powrotem zespół filtra i zamocować go w prawidłowym położeniu; jest to niezbędne dla utrzymania sprawnego funkcjonowania zmywarki.

(+DODATKOWE SUSZENIE - Wyższa temperatura podczas ostatniego płukania a przedłużona faza suszenia pozwala na lepsze suszenie. Opcja EXTRA DRY powoduje wydłużenie cyklu zmywania.

POJEMNOŚĆ: 15 standardowych naczyń

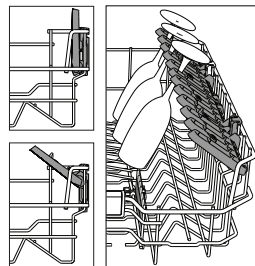
Składane półeczki z regulowanym położeniem

Boczne składane klapy można złożyć lub rozłożyć, aby zoptymalizować ułożenie naczyń w koszyku.

Kieliszki do wina można bezpiecznie umieścić, wkładając nożkę każdego kieliszka do odpowiedniego otworu.

W zależności od modelu:

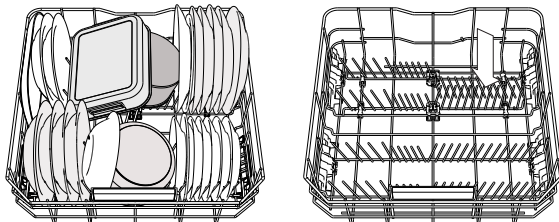
- aby rozłożyć klapy, należy wysunąć je do góry i obrócić lub zwolnić z zatrzasków i pociągnąć do dołu.
- aby złożyć klapy, należy obrócić je i wsunąć je do dołu lub wyciągnąć do góry i zamocować do zatrzasków.



DOLNY KOSZ

Do garnków, pokrywek, talerzy, misek do sałatek, sztućców itp. Duże talerze i pokrywki powinny być umieszczane z boku, aby uniknąć stykania się z ramieniem natryskowym.

Dolny kosz jest wyposażony w podnoszone wsporniki, które mogą być używane w położeniu pionowym przy wkładaniu talerzy lub w położeniu poziomym, aby ułatwić wkładanie patelni i misek.



(przykładowe załadowanie dolnego kosza)

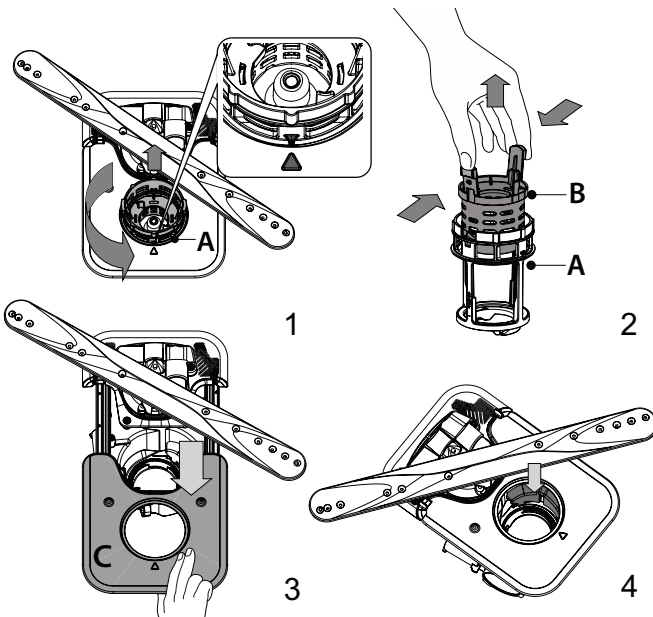
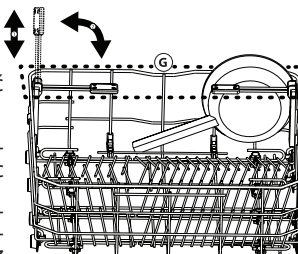
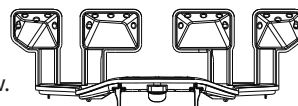
POWER CLEAN®

System Power Clean® wykorzystuje specjalne dysze wodne znajdujące się z tyłu komory, które pozwalają na intensywne mycie bardzo zabrudzonych naczyń. Dolny kosz posiada miejsce do umieszczania dużych przedmiotów. Z tyłu kosza znajduje się specjalny wysuwany wspornik, który może być używany do podparcia patelni lub blach do pieczenia i ustawienia ich pionowo, dzięki czemu będą zajmowały mniej miejsca.

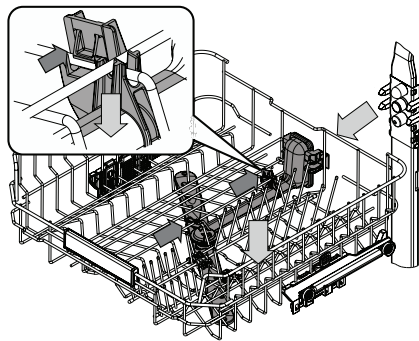
Umieszczając garnki/patelnie skierowane w stronę elementu Power Clean®, należy włączyć **POWER CLEAN** na panelu sterowania.

Stosowanie opcji Power Clean®:

1. Dostosować obszar Power Clean (**G**), składając tylne uchwyty w taki sposób, aby móc włożyć garnki.
2. Włożyć przechylone w pionie garnki i patelnie w obszar Power Clean®. Garnki muszą być zwrócone w kierunku silnych dysz wodnych.

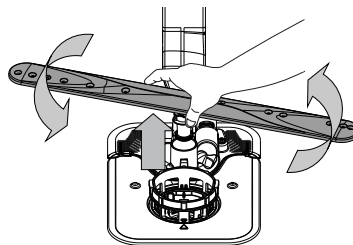


CZYSZCZENIE RAMION NATRYSKOWYCH

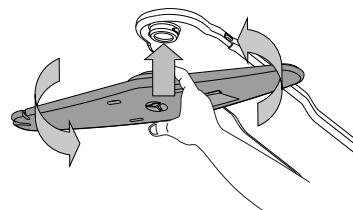


Może się zdarzyć, że resztki potraw pozostaną na ramionach natryskowych i będą zatykać otwory, przez które wytryskiwana jest woda. Dlatego też zaleca się, aby od czasu do czasu sprawdzić ramiona natryskowe i oczyścić je małą szczoteczką z nie-metalowym włosiem.

Aby usunąć spryskiwacz górny, usuń go z kolektorem.



Dolne ramię natryskowe można wyjmować pociągając je w górę i obracając je w kierunku przeciwnym do wskazówek zegara. Ponowne osadzenie ramienia natryskowego odbywa się poprzez pociągnięcie go w dół i obrócenie go w kierunku zgodnym z ruchem wskazówek zegara.




Górne ramię natryskowe można wyjmować wciskając je w górę i obracając je w kierunku przeciwnym do wskazówek zegara. Ponowne osadzenie ramienia natryskowego odbywa się poprzez pociągnięcie go w górę i obrócenie go w kierunku zgodnym z ruchem wskazówek zegara.

USUWANIE USTEREK

Jeśli zmywarka nie działa prawidłowo, należy sprawdzić czy problem można rozwiązać wykonując czynności opisane poniżej. W przypadku błędów lub problemów prosimy skontaktować się z zakładem serwisowym, którego dane kontaktowe można odnaleźć w książeczce gwarancyjnej. Części zamienne będą dostępne przez okres do 7 lub do 10 lat, zgodnie z określonymi wymaganiami rozporządzenia.

PROBLEMY	MOŻLIWE PRZYCZYNY	ROZWIĄZANIE
Świeci się wskaźnik soli	Zbiornik soli jest prawie pusty.	Napełnij zbiornik solą (aby uzyskać więcej informacji, patrz NAPEŁNIANIE ZBIORNIKA SOLI). W razie potrzeby sprawdź ustawienie twardości wody, patrz TABELA TWARDOŚCI WODY .
Wskaźnik soli miga	Zbiornik soli jest pusty.	Jak najszybciej napełnij zbiornik solą. Używanie urządzenia bez soli może spowodować uszkodzenie jego podzespołów wewnętrznych.
Wskaźnik płynu nabyłszycającego świeci się lub miga	Dozownik płynu nabyłszycającego jest pusty. (Po ponownym napełnieniu wskaźnik płynu nabyłszycającego może pozostać zapalony przez krótki czas).	Ponownie napełnij dozownik płynem nabyłszycającym (aby uzyskać więcej informacji, patrz NAPEŁNIANIE DOZOWNIKA PŁYNU NABYLSZCZAJĄCEGO).
Wskaźnik odkamieniania świeci się lub miga; wyświetlany jest alarm „DES”	Na wewnętrznych podzespołach urządzenia osadza się kamień.	Natychniast usuń kamień z urządzenia korzystając z programu Samoczyszczenie i dostępnego na rynku preparatu do usuwania kamienia (patrz OPCJE I FUNKCJE). Ponownie napełnij zbiornik solą. Sprawdź ustawienie twardości wody. Jeśli urządzenie nie zostanie odkamienione, przestanie działać.
Zmywarka nie włącza się lub nie reaguje na polecenia.	Urządzenie nie zostało prawidłowo podłączone do zasilania.	Włóż wtyczkę przewodu zasilającego do gniazdka.
	Przerwa w dopływie prądu.	Ze względów bezpieczeństwa, zmywarka nie uruchomi się ponownie automatycznie po przywróceniu zasilania. Otwórz drzwiczki zmywarki, naciśnij przycisk START/Pauza i zamknij drzwiczki w przeciągu 4 sekund.
	Drzwiczki zmywarki nie są zamknięte. Sworzeń NaturalDry nie jest wsunięty.	Energicznie popchnij drzwiczki aż do usłyszenia „kliknięcia”.
	Cykl zostaje przerwany przez otwarcie drzwi przez ponad 4 sekundy.	Naciśnij przycisk START/Pauza i zamknij drzwiczki w przeciągu 4 sekund.
Zmywarka nie odpompowuje wody. Na wyświetlaczu widoczny jest komunikat: F7 E3 lub F9 E1	Filtr jest zatkany resztkami potraw lub kamieniem.	Oczyść filtr i usuń kamień z urządzenia (patrz CZYSZCZENIE ZESPOŁU FILTRA I INSTRUKCJA ODKAMNIENIA).
	Wąż odpływowy jest zagięty.	Sprawdź wąż odpływowy (patrz INSTRUKCJA INSTALACJI).
	Rura odpływu zlewu jest zatkana.	Oczyść rurę odpływu w zlewie.
Zmywarka powoduje nadmierne hałas.	Naczynia stukają między sobą.	Prawidłowo rozmieść naczynia (patrz ŁADOWANIE KOSZY).
	Występuje nadmierna ilość piany.	Porcja detergentu nie została poprawnie odmierzona, albo detergent nie nadaje się do stosowania w zmywarkach (patrz NAPEŁNIANIE DOZOWNIKA DETERGENTU). Ponownie uruchom bieżący cykl poprzez WYŁĄCZENIE zmywarki, następnie włącz ją ponownie, wybierz nowy program, naciśnij przycisk START/Pauza i zamknij drzwiczki w przeciągu 4 sekund. Nie dodawaj żadnego detergentu.
	Naczynia nie zostały prawidłowo rozmieszczone.	Prawidłowo rozmieść naczynia (patrz ŁADOWANIE KOSZY).
	Filtr jest zatkany resztkami potraw lub kamieniem.	Oczyść zespół filtra (patrz UTRZYMANIE I KONSERWACJA).
Naczynia nie są czyste.	Naczynia nie zostały prawidłowo rozmieszczone.	Prawidłowo rozmieść naczynia (patrz ŁADOWANIE KOSZY).
	Ramiona natryskowe nie mogą obracać się swobodnie, zaczepiają się o naczynia.	Prawidłowo rozmieść naczynia (patrz ŁADOWANIE KOSZY). Sprawdzić, czy górny kosz jest w prawidłowym położeniu i w razie potrzeby wyreguluj (podnieś).
	Cykl zmywania jest zbyt delikatny.	Wybierz odpowiedni cykl zmywania (patrz TABELA PROGRAMÓW).
	Występuje nadmierna ilość piany.	Porcja detergentu nie została poprawnie odmierzona, albo detergent nie nadaje się do stosowania w zmywarkach (patrz NAPEŁNIANIE DOZOWNIKA DETERGENTU).
	Pokrywka przegródki na płyn nabyłszycający nie została prawidłowo zamknięta.	Upewnij się, czy dozownik płynu nabyłszycającego jest zamknięty.
	Filtr jest zatkany resztkami potraw lub kamieniem.	Oczyść filtr i usuń kamień z urządzenia (patrz CZYSZCZENIE ZESPOŁU FILTRA).
	Zbiornik soli jest pusty.	Napełnij zbiornik soli (patrz NAPEŁNIANIE ZBIORNIKA SOLI).

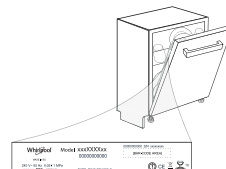
PROBLEMY	MOŻLIWE PRZYCZYNY	ROZWIĄZANIE
Zmywarka nie napełnia się wodą. Na wyświetlaczu widoczny jest komunikat: H2O i  się świeci; rozlega się alarm akustyczny.	Brak wody w sieci wodociągowej lub zawór jest zamknięty.	Sprawdź, czy woda dopływa z sieci wodociągowej lub czy zawór wody jest otwarty.
	Wąż dopływowy wody jest zagięty.	Sprawdź wąż dopływowy (<i>patrz INSTRUKCJA INSTALACJI</i>). Otwórz drzwiczki zmywarki, naciśnij przycisk START/Pauza i zamknij drzwiczki w przeciągu 4 sekund.
	Filtr siatkowy w węży dopływowy wody jest zapchany; niezbędne jest jego oczyszczenie.	Sprawdź i oczyść filtr siatkowy w węży dopływowy wody. Otwórz drzwiczki zmywarki, naciśnij przycisk START/Pauza i zamknij drzwiczki w przeciągu 4 sekund.
Zmywarka kończy cykl przedwcześnie. Na wyświetlaczu widoczny jest komunikat: F8 E3	Filtr jest zatkany resztkami potraw lub kamieniem.	Oczyść filtr i usuń kamień z urządzenia (<i>patrz CZYSZCZENIE ZESPOŁU FILTRA i INSTRUKCJA ODKAMIENIANIA</i>).
	Wąż odpływowy ustawiony zbyt nisko lub odprowadzanie wody za pomocą syfonu do domowej sieci kanalizacyjnej.	Sprawdź czy końcówka węża odpływowego jest ustawiona na odpowiedniej wysokości (<i>patrz INSTRUKCJA INSTALACJI</i>). Sprawdź czy woda nie jest odprowadzana za pomocą syfonu do domowej sieci kanalizacyjnej, i w razie potrzeby zamontować przerywacz syfonu/zawór napowietrzający.
	Występuje nadmierna ilość piany.	Porcja detergentu nie została poprawnie odmierzona, albo detergent nie nadaje się do stosowania w zmywarkach (<i>patrz NAPEŁNIANIE DOZOWNIKA DETERGENTU</i>).
	Powietrze w instalacji doprowadzenia wody.	Sprawdź czy w instalacji wodnej nie ma nieszczelności lub innych problemów umożliwiających dostęp powietrza.
Naczynia nie są dobrze wysuszone.	Brak płynu nablyszczającego lub dawka jest zbyt mała.	Upewnij się, że dozownik płynu nablyszczającego jest napełniony (<i>patrz NAPEŁNIANIE DOZOWNIKA PŁYNU NABLYSZCZAJĄCEGO</i>). Same tabletki wielofunkcyjne do zmywarek nie zapewnią tak dobrych efektów suszenia, jak rzeczywiste używanie płynu nablyszczającego.
	Naczynia zostały wylądowane po automatycznym otwarciu drzwi, ale przed faktycznym zakończeniem cyklu.	Przed rozpoczęciem rozładowywania naczyń należy upewnić się, że cykl zakończył się (<i>patrz CODZIENNA EKSPLOATACJA</i>). W celu uzyskania jeszcze lepszych rezultatów suszenia zaleca się pozostawienie naczyń wewnątrz zmywarki z otwartymi drzwiami przez dodatkowe 15 minut po zakończeniu cyklu.
	Naczynia są ułożone zbyt płasko.	W przypadku zauważenia kałuż wody w zagłębieniach filiżanek, kubków lub misek, spróbuj załadować naczynia (zwłaszcza w górnym koszu), tak aby zapewnić większe nachylenie, w celu umożliwienia ściekania większej ilości wody przed rozpoczęciem suszenia.
	Wybrany cykl nie posiada fazy suszenia.	Prosimy sprawdzić w <i>TABELI PROGRAMÓW</i> , czy wybrany program jest wyposażony w fazę suszenia. Cykl bez fazy suszenia może nie zapewniać pożądanej wydajności suszenia, dlatego zaleca się zmianę wyboru cyklu na ten, który posiada fazę suszenia.
	Naczynia są wykonane z tworzywa sztucznego lub materiału antyadhezyjnego.	Trochę kropelek wody, pozostających na tego typu materiale, jest zjawiskiem normalnym.
Naczynia i szklanki mają niebieskie smugi lub niebieskawe odcienie.	Dozowanie płynu nablyszczającego jest nadmierne.	Zmień dozowanie na niższe ustawienia.
Naczynia i szklanki są pokryte wapiennym lub białawą warstwą.	Zbiornik soli jest pusty.	Jak najszybciej napełnij zbiornik solą. Używanie urządzenia bez soli może spowodować uszkodzenie jego podzespołów wewnętrznych.
	Twardość wody jest ustawiona na zbyt niską twardość.	Zwiększ ustawienie (<i>patrz TABELA TWARDOŚCI WODY</i>).
	Pokrywką zbiornika soli nie jest dokładnie zamknięta.	Sprawdź i zamknij pokrywkę zbiornika soli.
	Zbiornik płynu nablyszczającego jest pusty lub dozowanie płynu nablyszczającego jest niewystarczające.	Ponownie napełnij dozownik płynem nablyszczającym i sprawdź ustawienie dozowania (aby uzyskać więcej informacji, <i>patrz NAPEŁNIANIE DOZOWNIKA PŁYNU NABLYSZCZAJĄCEGO</i>).
Zmywarka wyświetla komunikat F8 E5	Zawór jest zablokowany lub uszkodzony.	Jeśli to możliwe, zamknij zawór wody. Nie wyłączaj zasilania. Zadzwoń do serwisu.



Zasady, standardową dokumentację, informacje na temat zamawiania części zamiennych oraz dodatkowe informacje o produkcie można znaleźć:

- Używając kodu QR i odwiedzając naszą stronę internetową: docs.whirlpool.eu
- Odwiedzając naszą stronę internetową: parts-selfservice.whirlpool.com
- Ewentualnie można **skontaktować się z naszą obsługą posprzedażową** (patrz numer telefonu w książeczce gwarancyjnej). Kontaktując się z naszą obsługą posprzedażową, należy podać kody zamieszczone na tabliczce identyfikacyjnej produktu.

Informacje o modelu można uzyskać przy pomocy kodu QR podanego na etykiecie energetycznej. Etykieta zawiera również identyfikator modelu, którego można użyć do znalezienia informacji na portalu rejestru pod adresem <https://eprel.ec.europa.eu>.





ĎAKUJEME, ŽE STE SI KÚPILI VÝROBOK WHIRLPOOL.
Ak chcete získať komplexnejšiu pomoc a podporu, zaregistrujte, prosím, svoj spotrebič na: www.whirlpool.eu/register

Pred použitím spotrebiča si starostlivo prečítajte bezpečnostné pokyny a návod na inštaláciu. Viac informácií o výrobku nájdete na webovej stránke: docs.whirlpool.eu



Po inštalácii nezabudnite odstrániť z umývačky všetky súčiastky na ochranu pri preprave.

OVLÁDACÍ PANEL

1. Tlačidlo **ZAP.-VYP./Reštart** s kontrolkou
2. Tlačidlo **PREDCHÁDZAJÚCI program**
3. Tlačidlo **ĎALŠÍ program**
4. Tlačidlo **OBLÚBENÝ program** s kontrolkou
5. Kontrolka prázdny zásobník soli
6. Kontrolka **ODVÁPNIŤ**
7. Kontrolka **Zatvorený vodovodný ventil**
8. Ukazovateľ čísla programu a zostávajúceho času
9. **Displej**
10. Tlačidlo možnosti **Power Clean®** s kontrolkou



11. Tlačidlo možnosti **Polovičná Náplň** s kontrolkou/ **Nastavenia** - stlačiť na 3 sekundy
12. Tlačidlo možnosti **Extra Sušenia** s kontrolkou/
13. Tlačidlo možnosti **Odložený Štart** s kontrolkou
14. Tlačidlo **ŠTART/Pauza** s kontrolkou
15. Tlačidlo **ŠTART/Pauza** s kontrolkou

PRVÉ POUŽITIE

PONUKA NASTAVENÍ

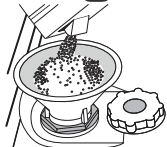
1. Zapnite spotrebič stlačením tlačidla **ZAP./VYP.**
2. Na 3 sekundy podržte tlačidlo **Nastavenia** (Polovičná Náplň), až kým sa neozve pípnutie a na displeji sa zobrazí „**SET**“.
3. Po jednej sekunde sa zobrazí prvé dostupné nastavenie (písmeno „**h**“).
4. Stlačením **PREDCHÁDZAJÚCI/ĎALŠÍ** prechádzate zoznamom dostupných nastavení (pozri tabuľku ďalej), potom stlačte **ŠTART/Pauza** pre zobrazenie a zmenu hodnoty aktuálne zvoleného nastavenia.
5. Stlačením **PREDCHÁDZAJÚCI/ĎALŠÍ** zmeníte hodnotu, potom stlačte **ŠTART/Pauza** pre uloženie novej hodnoty a návrat do hlavnej ponuky.
6. Pre zmenu ďalšieho nastavenia zopakujte body 4 a 5.
7. Stlačte **ZAP./VYP.** alebo počkajte 30 sekúnd, ak chcete ponuku zatvoriť.

PÍSMENO	NASTAVENIE	HODNOTY (Štandardné - tučným písmom)
h	Úroveň tvrdosti vody (pozri NASTAVENIE TVRDOSTI VODY a TABUĽKA TVRDOSTI VODY)	1 2 3 4 5
f	Úroveň leštidla (pozri NASTAVENIE DÁVKOVANIA LEŠTIDLA)	0 1 2 3 4 5
c	NaturalDry (pozri MOŽNOSTI A FUNKCIE) „1“ = Zap., „0“ = Vyp.	1 0
l	Svetlo na podlahe (pozri MOŽNOSTI A FUNKCIE) „1“ = Zap., „0“ = Vyp.	1 0
s	Zvuk „1“ = Zap., „0“ = Vyp.	1 0
r	Nastavenie z výroby Stlačením tlačidla ŠTART/Pauza obnovíte nastavenie z výroby všetkých hodnôt nastavení zahrnutých v ponuke nastavení	-

PLNENIE ZÁSObNÍKA SOLI

Používanie soli zabraňuje tvorbe vodného kameňa na riadoch a funkčných komponentoch umývačky. Zásobník soli sa nachádza v spodnej časti umývačky (pod spodným košom na ľavej strane).

- Je nevyhnutné, aby **zásobník soli nebol nikdy prázdny**.
- Je dôležité nastaviť tvrdosť vody.
- Sol' treba doplniť, keď na ovládacom paneli svieti kontrolka **DOPLNIŤ SOL'**.



1. Vyberte spodný koš a odskrutkujte uzáver zásobníka (proti smeru hodinových ručičiek).
2. Nasadte násypku (pozri obrázok) a naplňte zásobník až po okraj (približne 0,5 kg); je bežné, že trochu vody vytečie.
3. **Vykonáva sa len prvýkrát: zásobník soli naplňte vodou.**

4. Vyberte násypku a zvyšky soli na otvore utrite. Dbajte, aby bol uzáver pevne zatahnutý, aby sa počas umývacieho programu nedostal do zásobníka umývací prostriedok (mohlo by to nenapraviteľne poškodiť zmäkčovač vody).

Spustíte program za každým hneď po doplnení zásobníka soli, aby ste sa vyhlí korózií.

Nastavenie tvrdosti vody

Aby mohol zmäkčovač dokonale pracovať, je dôležité, aby bola tvrdosť vody nastavená podľa skutočnej tvrdosti vody vo vašej domácnosti. Túto informáciu môžete získať od miestneho dodávateľa vody. Z výroby je nastavená priemerná tvrdosť vody „**3**“. Pozri „**TABUĽKA TVRDOSTI VODY**“.

Ak ho chcete zmeniť, postupujte podľa pokynov v časti „**PONUKA NASTAVENÍ**“.

Tabuľka tvrdosti vody

Úroveň	°dH Nemecké stupne	°fH Francúzske stupne	°Clark Anglické stupne
1 (mäkká)	0 - 6	0 - 10	0 - 7
2 (stredná)	7 - 11	11 - 20	8 - 14
3 (priemerná)	12 - 16	21 - 29	15 - 20
4 (tvrdá)	17 - 34	30 - 60	21 - 42
5 (veľmi tvrdá)	35 - 50	61 - 90	43 - 62

Používajte iba sol' určenú špeciálne do umývačiek.

Keď do umývačky nasypete sol', kontrolka **DOPLNIŤ SOL'** zhasne.

Ak zásobník soli nenaplníte, zmäkčovač vody a ohrievacie teleso sa môžu poškodiť v dôsledku hromadenia vodného kameňa.

Použitie soli sa odporúča s akýmkoľvek typom umývacieho prostriedku do umývačky riadu.

SYSTEM NA ZMÄKČOVANIE VODY

Zmäkčovač vody automaticky znižuje tvrdosť vody, čím zároveň zabraňuje tvorbe vodného kameňa v ohrievачi a prispieva k vyššej efektívnosti umývania.

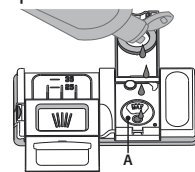
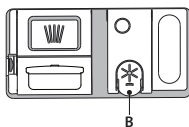
Tento systém sa automaticky regeneruje pomocou soli, a preto je nutné pravidelne doplniť zásobník soli, keď bude prázdny.

Interval vykonávania regenerácie závisia od nastavenia tvrdosti vody – regenerácia sa vykonáva raz za 4-6 Eco cyklov, ak je tvrdosť vody nastavená na 3. Proces regenerácie prebieha na začiatku cyklu s pridaním čerstvej vody.

- Pri regenerácii sa spotrebuje: približne 3 litre vody;
- Pridá k cyklu dodatočných 5 minút;
- Spotrebuje sa pri nej 0,005 kWh energie

PLNENIE DÁVKOVAČA LEŠTIDLA

Leštidlo uľahčuje **SUŠENIE** riadu. Dávkovač leštiaceho prostriedku **A** treba naplniť, keď na ovládacom paneli svieti kontrolka **DOPLNIŤ LEŠTIDLO**.



1. Otvorte dávkovač **B** stlačením a zdvihnutím držiaka na veku.
2. Opatrne nalejte leštidlo až po značku maximum (110 ml) v plniacom priestore – dbajte, aby ste ho nerozliali. Ak sa to stane, leštidlo ihneď utrite suchou handričkou.

3. Zatlačte veko, až počujete cvaknutie.

NIKDY nelejte leštidlo priamo do vaničky umývačky.

Nastavenie dávkovania leštidla

Ak nie ste celkom spokojní s výsledkom sušenia, môžete nastaviť množstvo použitého leštidla.

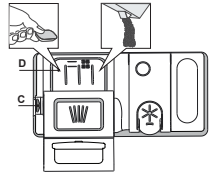
Ak ho chcete zmeniť, postupujte podľa pokynov v časti „**PONUKA NASTAVENÍ**“.

Ak je úroveň leštidla nastavená na **NULA**, nepridáva sa nijaké množstvo leštidla. Kontrolka **MÁLO LEŠTIDLA** sa nerozsvieti, ani keď sa leštidlo minie.

- V závislosti od modelu umývačky možno nastaviť maximálne **6** úrovne.
- Ak vidíte na riade modrasté pásiky, nastavte nízku hodnotu (0-3).
 - Ak sú na riade kvapky vody alebo stopy po vodnom kameni, nastavte vysokú hodnotu (4-5).

PLNENIE DÁVKOVAČA UMÝVACIEHO PROSTRIEDKU

Dávkovač umývacieho prostriedku otvorte pomocou otváracieho zariadenia C. Umývací prostriedok dávajte iba do suchého dávkovača D. Umývací prostriedok na predumývanie dajte priamo do vaničky.



1. Pri odmeriavaní umývacieho prostriedku sa riadte uvedenými informáciami, aby ste pridali správne množstvo. Vnútri dávkovača D sa nachádzajú značky, ktoré pomôžu pri dávkovaní umývacieho prostriedku.
2. Odstráňte zvyšky umývacieho prostriedku z okrajov dávkovača a až potom veko zatvorte, až sa ozve cvaknutie.
3. Zatvorte veko dávkovača umývacieho prostriedku jeho nadvihnutím, až uzatváracie zariadenie zapadne na miesto.

KAŽDODENNÉ POUŽÍVANIE

1. SKONTROLUJTE PRIPOJENIE K VODOVODU

Skontrolujte, či je spotrebič pripojený k vodovodnej sieti a či je otvorený vodovodný ventil.

2. ZAPNITE UMÝVAČKU

Otvorte dvierka a stlačte tlačidlo ZAP./VYP.

3. ULOŽTE RIAD DO KOŠOV (pozri UKLADANIE RIADU DO KOŠOV)

4. PLNENIE DÁVKOVAČA UMÝVACIEHO PROSTRIEDKU

5. ZVOĽTE PROGRAM A UPRAVTE SI CYKLUS PODĽA ŽELANIA

Vyberte najvhodnejší program podľa typu nádob a stupňa zašpinenia (pozri OPIS PROGRAMOV) stlačením zvoleného tlačidla PREDCHÁDZAJÚCI/DALŠÍ.

Zvoľte požadované možnosti (pozri MOŽNOSTI A FUNKCIE). Nie všetky možnosti sú kompatibilné so všetkými programami.

6. ŠTART

Cyklus umývania spustíte stlačením tlačidla ŠTART/Pauza (rozsvieti sa LED) a zatvorením dvierok do 4 sekúnd. Keď sa program spustí, ozve sa jedno zapípanie. Ak dvierka nezatvoríte do 4 sekúnd, ozve sa výstražný signál. V takomto prípade dvierka neotvárajte, stlačte tlačidlo ŠTART/Pauza a znova zatvorte dvierka do 4 sekúnd.

7. UKONČENIE CYKLU UMÝVANIA

Koniec cyklu umývania oznámi zvuková signalizácia a na displeji sa zobrazí END (KONIEC). Otvorte dvierka a vypnite spotrebič stlačením tlačidla ZAP./VYP.

Niekoľko minút počkajte, aby ste sa nepopáli, a potom nádoby vyberte. Vyložte riad z košov, začnite od spodného.

Dávkovač umývacieho prostriedku sa automaticky otvorí v správnom čase podľa programu.

Ak používate čistiaci prostriedok, ktorý nie je určený na umývačky, môžete tým spôsobiť poruchu alebo poškodenie spotrebiča.

ÚPRAVA BEŽIACEHO PROGRAMU

Ak ste zvolili nesprávny program, je možné ho zmeniť za podmienky, že sa iba začal. **RESET** spotrebiča: stlačte a podržte tlačidlo ZAP./VYP. dlhšie ako 3 sekundy a spotrebič sa vypne. **Na prístrojovej doske sa zobrazí „0:01“.** Zatvorte dvierka a počkajte, kým sa skončí cyklus odčerpania (cca 1 minúta). Otvorte dvierka a znova spotrebič zapnite pomocou tlačidla ZAP./VYP. a zvolte požadovanú možnosť. Spustíte cyklus stlačením tlačidla ŠTART/Pauza a zatvorením dvierok do 4 sekúnd.

PRIDANIE RIADU NAVÝŠE

Bez vypnutia spotrebiča najprv pootvorte dvierka, aby voda nevyšplechla (LED kontrolka ŠTART/Pauza začne blikať) (**Pozor! Horúca para!**) a vložte riad do umývačky. Stlačte tlačidlo ŠTART/Pauza a zatvorte dvierka do 4 sekúnd, cyklus bude pokračovať od bodu, kde bol prerušený.

NÁHODNÉ PRERUŠENIA

Ak sa dvierka otvorí počas umývacieho cyklu, alebo v prípade výpadku prúdu, cyklus sa zastaví. Zatvorte dvierka a **IBA AK STLAČÍTE** tlačidlo ŠTART/Pauza a zatvoríte dvierka do 4 sekúnd, cyklus bude pokračovať od bodu, kde bol prerušený.

RADY A TIPY

TIPY

Pred naložením riadu do košov odstráňte všetky zvyšky jedla z nádob a vyprázdňte poháre. **Riad nemusíte vopred oplachovať pod tečúcou vodou.**

Uložte nádoby tak, aby sedeli pevne na mieste a neprevrátili sa; a uložte ich tak, aby boli otvorení nadol, a vypuklé časti, aby boli naklonené a voda sa tak mohla voľne dostať ku všetkým povrchom.

Pozor: veká, rúčky, podnosy a panvice na vysmazanie nesmú brániť otáčaniu ostrekovacích ramien.

Drobné veci ukladajte do košíka na príbor. Veľmi špinavý riad a hrnce treba ukladať do spodného koša, lebo v tejto časti sú prúdy vody silnejšie a zvyšujú umývací výkon. Po naplnení spotrebiča sa presvedčte, či sa ostrekovacie ramená môžu voľne otáčať.

NEVHODNÉ PREDMETY

- Drevené nádoby a príbor.
 - Krehké zdobené poháre, umelecký ručne maľovaný a starožitný porcelán. Ich zdobenie nie je odolné.
 - Časti z plastu, ktoré nie sú odolné voči vysokým teplotám.
 - Medené a cínové nádoby.
 - Riad zašpinený od popola, vosku, mazadiel alebo atramentu.
- Farby ozdôb na skle a hliníkové/strieborné kusy sa môžu počas umývania meniť a vyblednúť. Niektoré typy skla (napr. krištáľové predmety) môžu po niekoľkých umytiach zmatnieť.

POŠKODENIE SKLA A PORCELÁNU

- Používajte iba sklo a porcelán, pri ktorých výrobca zaručuje, že ich možno bezpečne umývať v umývačke.
- Používajte jemný umývací prostriedok vhodný na porcelán
- Vytiahnite poháre a príbor z umývačky hneď po skončení umývacieho cyklu.

TIPY NA ÚSPORU ENERGIE

- Keď používate umývačku riadu do domácnosti v súlade s pokynmi výrobcu, **pri umývaní kuchynského riadu v umývačke sa spravidla spotrebuje MENEJ ENERGIE a vody ako pri ručnom umývaní riadu.**
- Na dosiahnutie maximálnej efektivity umývačky riadu sa odporúča **spustiť cyklus umývania až potom, čo bude kompletne naplnená.** Ak naložíte umývačku riadu až do kapacity uvedenej výrobcom, prispějete tým k úspore energie a vody. Informácie o správnom nakladaní riadu nájdete v kapitole s názvom NAKLADANIE KOŠOV. V prípade čiastočného naplnenia sa odporúča používať špecializované možnosti umývania (Polovičná náplň/Zónové umývanie/Multizónové umývanie), ak sú k dispozícii, a naplniť iba konkrétne koše. Pri nesprávnom alebo nadmernom naplnení sa môže zvýšiť spotreba umývačky (či už ide o spotrebu vody, energie, času alebo väčšiu mieru hluku), čo povedie k zníženiu výkonu pri umývaní a sušení.
- Manuálne predbežné oplachovanie kuchynského riadu má za následok zvýšenú spotrebu vody a energie, a preto sa neodporúča.

HYGIENA

Aby ste sa vyhlili zápachu a usadeninám, ktoré sa môžu nahromadiť v umývačke, **aspoň raz do mesiaca spustíte program s vysokou teplotou.** Do prázdnej umývačky dajte čajovú lyžičku umývacieho prostriedku a pustíte ju naprázdno, aby sa vyčistila.

ODOLNOSŤ VOČI MRAZU

Ak je spotrebič umiestnený v prostredí s rizikom mrazu, **je potrebné z neho úplne vypustiť vodu.** Uzavrte vodovodný kohútik, odstráňte prírodnú a odtokovú hadicu a nechajte vodu vytiect. **Presvedčte sa, že zmäčkovač vody je plný rozpustenej regeneračnej soli v zásobníku soli,** aby bol spotrebič chránený pred teplotami až do -20°C.

Ak bol spotrebič uskladnený v podmienkach, kde mrzlo, musí pred prvým spustením **aspoň 24 hodín** stať pri okolitej teplote minimálne 5°C.

TABUĽKA PROGRAMOV

Program	Opis programov	Fáza sušenia	Natural-Dry	Dostupné možnosti *)	Trvanie umývacieho programu (h:min)**)	Spotreba vody (litre/cyklus)	Spotreba energie (kWh/cyklus)
P1 Eco	Eko 50° - Program Eco je vhodný na umývanie bežne zašpineného kuchynského riadu, preto ide o najefektívnejší program na tento účel z hľadiska spotreby energie a vody, ktorý sa používa na stanovenie súladu s legislatívou Ecodesign v rámci EÚ.	✓	✓		3:30	9,5	0,76
P2	Auto Intenzívne 65° - Automatický program na silne znečistený riad a panvice. Sníma úroveň znečistenia riadu a podľa toho nastavuje program. Počas snímania úrovne znečistenia	✓	✓		2:25 - 3:10	15,5 - 24,5	1,30 - 1,70
P3	Automatický Zmiešaný 55° - Automatický program na normálne znečistený riad so zasušenými zvyškami jedla. Počas snímania úrovne znečistenia	✓	✓		1:20 - 3:00	7,5 - 19,5	0,75 - 1,20
P4	Automatický Rýchly 50° - Automatický program na normálne a trochu znečistený riad. Každodenný cyklus, ktorý zabezpečuje optimálny výsledok umývania a sušenia v kratšom čase. sensorom sa na displeji zobrazí animácia a aktualizuje sa dĺžka cyklu	✓	✓		1:00 - 1:50	7,5 - 15,5	0,70 - 1,10
P5	Rýchly 45° - Program, ktorý sa odporúča pre obmedzené množstvo trochu znečisteného riadu bez zasušených zvyškov jedla. Neobsahuje fázu sušenia.	-	✓		0:30 - 0:40	10,0 - 12,0	0,55 - 0,65
P6	Krištáľové 45° - Program na krehké kusy riadu, ktoré sú citlivejšie na vysoké teploty, napríklad poháre a šálky	✓	✓		1:40 - 1:50	12,5 - 16,5	0,95 - 1,20
P7	Tichý 55° - Vhodný na nočnú prevádzku spotrebiča. Zabezpečuje optimálne umývanie a sušenie s najnižšou hlučnosťou.	✓	✓		3:50 - 4:10	10,5 - 14,5	0,80 - 1,15
P8	Dezinfekcia 65° - Normálne až silne zašpinený riad – zahŕňa dodatočné antibakteriálne opláchnutie. Možno ho použiť na údržbu umývačky.	✓	-		1:55 - 2:10	12,0 - 19,0	1,40 - 1,80
P9	Predumývanie - Na odmočenie riadu, ktorý sa bude umývať neskôr. Pri tomto programe sa nepoužíva umývací prostriedok.	-	✓		0:12	4,5	0,10
P10	Autočistenie 65° - Program určený na údržbu umývačky sa musí spúšťať iba v PRAZDNEJ umývačke s použitím špeciálnych prostriedkov určených na údržbu umývačky.	-	-		1:15	11,0	1,10

Údaje z programu EKO sú namerané v laboratórnych podmienkach podľa európskej normy EN 60436:2020.

Poznámka pre Skúšobné laboratóriá: O informácie o podmienkach vykonania komparatívnej skúšky EN môžete požiadať na adrese: dw_test_support@whirlpool.com

Príprava riadu pred umývaním nie je potrebná pri nijakom programe.

*) Nie všetky možnosti možno použiť súčasne s inými.

**) Hodnoty uvedené pri iných programoch ako Eko sú iba orientačné. Skutočný čas sa môže líšiť v závislosti od mnohých faktorov, ako sú teplota a tlak privádzanej vody, teplota vmiestnosti, množstvo umývacieho prostriedku, množstvo a typ vloženého riadu, jeho rozloženie, ďalšie zvolené možnosti akalibrácia senzoru. Kalibrácia senzoru môže predĺžiť trvanie programu až o 20 minút.

MOŽNOSTI A FUNKCIE

MOŽNOSTI možno zvoliť/zrušiť po zvolení programu priamo stlačením príslušného tlačidla (ak sú dostupné, rozsvieti sa kontrolka) (pozri OVLÁDACÍ PANEL). Ak možnosť nie je kompatibilná so zvoleným programom (pozri TABUĽKU PROGRAMOV), 3 razy rýchlo zabliká príslušná LED kontrolka a ozve sa pípanie. Možnosť sa neaktivuje. Voliteľnou možnosťou možno zmeniť čas alebo spotrebu vody alebo energie pre program.

POWER CLEAN® - Vďaka prídavným výkonným dýzám táto funkcia umožňuje intenzívnejšie a účinnejšie umývanie v spodnom koši, v špecifickej oblasti. Táto možnosť sa používa na umývanie hrncov a kastrolov (Pozri časť Power Clean® naplnenie).

POLOVIČNÁ NÁPLŇ - Ak máte na umývanie málo riadov, používa sa polovičná náplň pre úsporu vody, elektriny alebo času v závislosti od zvoleného programu. **Nezabudnite znížiť množstvo umývacieho prostriedku.**

EXTRA SUŠENIE - Vyššia teplota počas záverečného oplachovania a predĺžená fáza sušenia umožňuje lepšie sušenie. Možnosť EXTRA SUŠENIE predĺži cyklus umývania.

ODLOŽENÝ ŠTART - Začiatok programu možno posunúť o 30 minút až 24 hodín.

1. Zvoľte program a akúkoľvek želanú možnosť. Opakovane stlačte tlačidlo ODKLAD, čím posuniете začiatok programu. Dá sa nastaviť čas 0:30 až 24 hodín. Po dosiahnutí nastavenia 24 hodín znova stlačte ODKLAD na vypnutie funkcie ODKLAD.

2. Stlačte tlačidlo START/Pauza (ŠTART/Pauza) a zatvorte dverka do 4 sekúnd.

3. Po uplynutí zvoleného času kontrolka zhasne a program sa automaticky spustí.

Po spustení programu už funkciu posunutia štartu nemožno nastaviť.

OBLÚBENÝ - Oblúbený program možno uložiť a bude ľahko prístupný. Vyhladájte program pomocou PREDCHÁDZAJÚCI/DALŠÍ a potom na 3 sekundy stlačte tlačidlo OBLÚBENÝ program.

ZATVORENÝ VODOVODNÝ VENTIL - Upozornenie - Bliká v prípade žiadneho prítoku vody alebo zatvoreného vodovodného ventilu.

SVETLO NA PODLAHE - Svetielko kontrolky LED premietané na dlážku signalizuje, že umývačka pracuje. Svetlo zhasne na konci cyklu. Svetlo zhasne na konci cyklu. Jedná sa o predvolenú funkciu, ktorú môžete zmeniť v "MENU NASTAVENIA."

NaturalDry - je konvekčný systém sušenia, ktorý automaticky otvorí dverka počas/po fáze sušenia, čím zaisťujú výnimočný výsledok sušenia každý deň. Dverka sa otvára pri teplote, ktorá neohrozí váš kuchynský nábytok, preto sa neotvorí.

Ako doplnková ochrana pred parou bola k umývačke priložená špeciálne navrhnutá ochranná fólia.

Spôsob montáže ochranné fólie nájdete v NÁVODE NA INŠTALÁCIU. Táto funkcia je aktivovaná štandardne, ale je možné ju deaktivovať v ponuke **PONUKÁ NASTAVENIA**.

ODVÁPNIŤ - Upozornenie - Bolo zistené nahromadenie vodného kameňa na vnútorných komponentoch spotrebiča. Skontrolujte, či máte v **Nastaveniach Tvrdosti Vody** správnu hodnotu a v zásobníku soli **sol'** (pozri **PRVÉ POUŽITIE**), **potom použite odvápnovací prostriedok** (odporúča sa značka WPro) s **programom Autočistenie**. Po úspešnom odvápnení sa ikonka už nebude zobrazovať.

Ak sa vyššie uvedené činnosti nevykonajú, výkon spotrebiča sa zhorší. Upozornenie ODVÁPNIŤ začne blikáť a na displeji sa zobrazí „dES“. Ak sa činnosť napriek tomu nevykoná, spotrebič dovoľí spustiť iba určitý počet cyklov (zobrazený pri upozornení „dES“ na displeji) a potom sa **ZABLOKUJE**, aby zabránil poškodeniu komponentu, **a bude k dispozícii iba program Autočistenie**. Vykonanie odvápnenia spotrebič odblokuje. V prípade mimoriadne veľkého množstva vodného kameňa možno odvápnenie vykonať dva razy, aby bolo účinné.

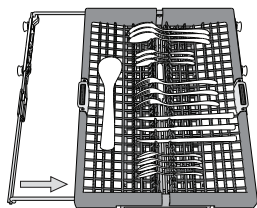
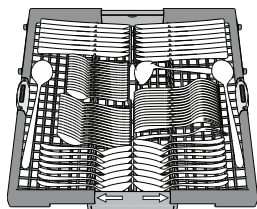
SNÍMANIE - Keď senzor zistuje úroveň znečistenia, na displeji sa zobrazí animácia (asi 20 minút) a trvanie cyklu sa aktualizuje. Snímanie je pre úroveň znečistenia riadu a je pri všetkých cykloch (okrem Eko) a príslušne upraví progra.

KOŠÍK NA PRÍBOR

Tretí košík je určený na ukladanie príboru. Príbor uložte, ako je uvedené na obrázku. Vďaka oddelenému uloženiu sa príbor po umytí ľahšie vyberá a dosiahne sa lepší výsledok umývania a sušenia.

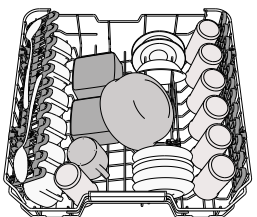
Nože a ostatné kuchynské náčinie s ostrými okrajmi treba uložiť čepeľami nadol.

Košík na príbor je vybavený dvoma zasúvacími bočnými priehradkami, aby sa čo najviac využila výška spodného priestoru a dali sa uložiť vysoké veci do horného koša.

**VRCHNÝ KOŠ**

Ukladajte doň krehké a ľahké nádoby: poháre, šálky, tanieriky, nízke šalátové misky. Vrchný koš má oporu proti prevráteniu, ktorú možno použiť vo vertikálnej polohe pri ukladaní podšálok a dezertných tanierikov alebo v spodnej polohe na ukladanie misiek a nádob na jedlo.

(príklad naplnenia vrchného koša)

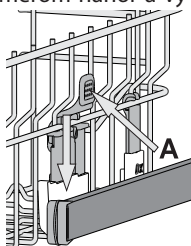
**Nastavenie výšky vrchného koša**

Výška vrchného koša je nastaviteľná: vysoká poloha umožňuje uložiť do spodného koša objemný riad a nízka poloha umožňuje čo najlepšie využiť opory proti prevráteniu vytvorením väčšieho miesta smerom nahor a vyhnúť sa tomu, aby riad narážal o veci v spodnom koši. Vrchný koš je vybavený **nastavovačom výšky vrchného koša** (pozri obrázok), bez stláčania páčok ho jednoducho nadvihnite uchopením bočnic koša, len čo je koš v stabilnej hornej polohe.

Na vrátenie do spodnej polohy stlačte páčky **A** na bočkoch koša a posuňte koš nadol.

V žiadnom prípade neodporúčame nastavovať výšku koša, keď je plný.

NIKDY nezdvíhajte ani nespúšťajte koš iba na jednej strane.

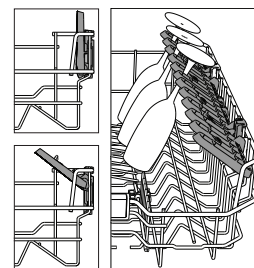
**Sklápacie klapky s nastaviteľnou polohou**

Bočné sklápacie opierky je možné sklopiť alebo vyklopiť, aby bolo možné optimalizovať usporiadanie riadu v zásuvke.

Vínové poháre možno bezpečne uložiť do sklápacích opierok vložením stopky pohára do príslušnej štrbiny.

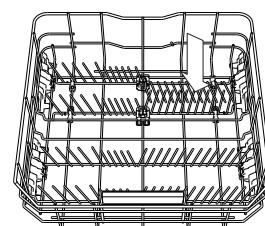
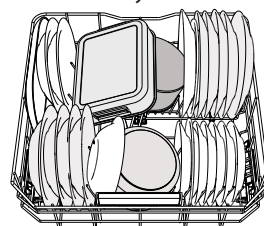
V závislosti od modelu:

- pri vyklápaní opierku posuňte hore a otočte ju alebo ju uvoľnite zo západiek a potiahnite ju dole.
- pri sklápaní opierku otočte a zasunúť ju dole alebo ju vytiahnite hore a zatlačte do západiek.

**SPODNÝ KOŠ**

Na hrnce, pokrievky, taniere, šalátové misky, príbor a pod. Veľké taniere a pokrievky by mali byť uložené po bokoch, aby na ne ostrekovacie ramená nenarážali.

Spodný koš má opory proti prevráteniu, ktoré možno použiť v zvislej polohe pri ukladaní tanierov alebo v horizontálnej polohe (nižšie) pre ľahké uloženie panvíc a šalátových mís.



(príklad naplnenia spodného koša)

POWER CLEAN®

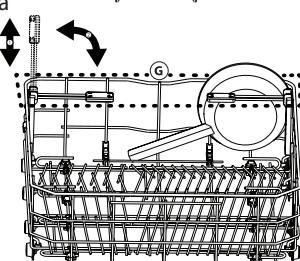
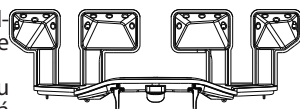
Funkcia Power Clean® využíva špeciálne vodné dýzy v zadnej časti priestoru na intenzívne umývanie veľmi špinavých nádob.

Spodný koš má oddelovaciu zónu, špeciálnu vyťahovaciu oporu v zadnej časti koša, ktorá môže slúžiť na podopretie panvíc alebo plechov na pečenie, aby boli v zvislej polohe a zabrali tak menej miesta.

Po umiestnení hrncov/kastrólov oproti komponentu Power Clean® aktivujte na ovládacom paneli **POWER CLEAN**.

Ako používať Power Clean®:

1. Upravte priestor Power Clean® (G) sklopením zadných držiakov tanierov, aby sa tam zmestili hrnce.
2. Vložte vertikálne naklonené hrnce a kastróly do oblasti Power Clean®. Hrnce musia byť naklonené smerom k vodným dýzám.

**STAROSTLIVOSŤ A ÚDRŽBA****ČISTENIE ZOSTAVY FILTRA**

Zostavu filtra pravidelne čistite, aby sa filtre neupchali a odpadová voda mohla správne odtekať.

Ak používate umývačku riadu s upchatými filtermi alebo s cudzími telesami vo filtračnom systéme či v ostrekovacích ramenách, môže to spôsobiť poruchu s následným zhoršením výkonu, nárastom hluku alebo zvýšením spotreby.

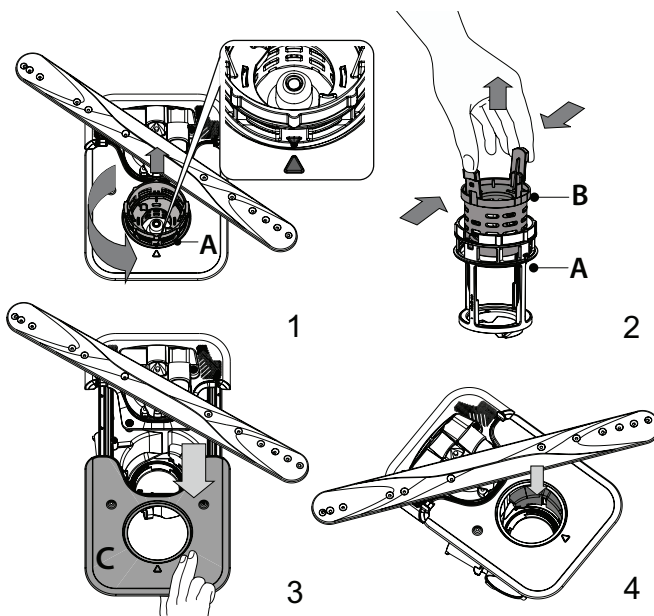
Zostava filtra pozostáva z troch filtrov, ktoré odstraňujú zvyšky jedla z umývačky a potom vodu recirkulujú.

Umývačku nesmiete používať bez filtrov, alebo ak je filter uvoľnený.

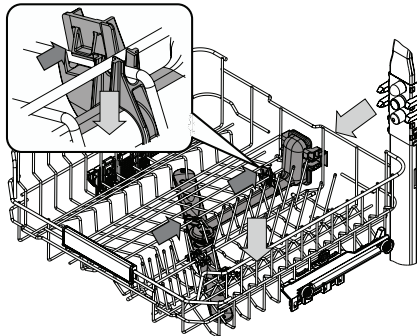
Aspoň raz mesačne alebo zakaždým po 30 cykloch skontrolujte zostavu filtra a v prípade potreby ju pomocou nekovovej kefy dôkladne vyčistite pod tečúcou vodou podľa nižšie uvedených pokynov:

1. Otočte valcovým filtrom **A** proti smeru hodinových ručičiek a vytiahnite ho (obr. 1). **Je dôležité, aby sa pri opätovnej inštalácii filtra dva trojuholníky zobrazené na zväčšení stretli.**
2. Vytiahnite vrchný filter **B** jemným zatlačením na bočné klapky (obr. 2).
3. Vyberte plechový filter z nehrdzavejúcej ocele **C** (obr. 3).
4. V prípade, že nájdete cudzie telesá (napr. úlomky skla, porcelánu, kostí, ovocné semená a pod.), **opatrne ich vyberte.**
5. Skontrolujte sifón a odstráňte zvyšky jedla. **NIKDY NEVYBERAJTE ochranu čerpadla (označené šípkou) (obr. 4).**

Po vyčistení filtrov zostavu filtrov vložte na miesto a zafixujte v správnej polohe; je to dôležité pre správnu činnosť umývačky.

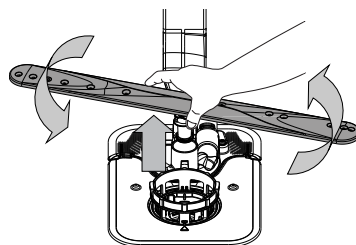


ČISTENIE OSTREKOVACÍCH RAMIEN

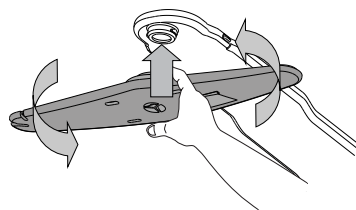


Občas sa zvyšky jedla môžu zasušit aj na ostrekovacích ramenách a zablokovat' diery, cez ktoré strieka voda. Preto sa odporúča občas ramená kontrolovať a čistiť ich malou nekovovou kefkou.

Ak chcete odstrániť horný ostrekovač, musíte ho odstrániť spolu s prírodným potrubím.



Spodné ostrekovacie rameno možno vybrať potiahnutím nahor a otočením proti smeru hodinových ručičiek. Znovu ho namontujete potiahnutím nadol a otočením v smere hodinových ručičiek.




Horné ostrekovacie rameno možno vybrať zatlačením nahor a otočením proti smeru hodinových ručičiek. Znovu ho namontujete potiahnutím nahor a otočením v smere hodinových ručičiek.

RIEŠENIE PROBLÉMOV

Ak vaša umývačka riadnu nefunguje správne, zistite, či problém nemožno vyriešiť po konzultácii s nasledujúcim zoznamom. V prípade ďalších chýb a problémov sa obráťte na autorizovaný popredajný servis, pričom kontaktné údaje nájdete v záručnej knižke. Náhradné diely budú k dispozícii počas 7 alebo až 10 rokov podľa konkrétnych požiadaviek nariadení.

PROBLÉMY	MOŽNÉ PRÍČINY	RIEŠENIA
☒ Kontrolka soli svieti.	Zásobník soli je takmer prázdny.	Doplňte do zásobníka solí (ďalšie informácie - pozri <i>PLNENIE ZÁSOBNÍKA SOLI</i>). V prípade potreby skontrolujte nastavenie tvrdosti vody - pozri <i>TABUĽKA TVRDOSTI VODY</i> .
☒ Kontrolka soli bliká	Zásobník soli je prázdny.	Čo najskôr doplňte do zásobníka solí. Používanie spotrebiča bez soli môže poškodiť jeho vnútorné komponenty.
☀ Kontrolka leštidla môže svietiť alebo bliká	Dávkočička leštidla je prázdny. (Po doplnení leštidla môže kontrolka ešte krátko svietiť).	Naplňte dávkočičku leštidlom (viac informácií - pozri <i>PLNENIE DÁVKOVAČA LEŠTIDLA</i>).
☒ Kontrolka odvápnienia svieti alebo bliká; Zobrazuje sa varovanie „dES“.	Na vnútorných komponentoch spotrebiča sa hromadí vodný kameň.	Okamžite spotrebič odvápnite pomocou programu Autočistenie a komerčne dostupného odvápnovacieho prostriedku (pozri <i>MOŽNOSTI A FUNKCIE</i>). Doplňte do zásobníka solí. Skontrolujte nastavenie tvrdosti vody. Ak spotrebič nie je odvápniený, prestane pracovať.
Umývačka sa nespúšťa a nereaguje na príkazy.	Spotrebič nie je riadne pripojený do elektrickej zásuvky.	Zastrčte zástrčku do zásuvky.
	Výpadok prúdu.	Z bezpečnostných dôvodov sa po obnove prívodu elektrickej energie umývačka riadu nereštartuje automaticky. Otvorte dverka umývačky, stlačte tlačidlo ŠTART/Pauza a zatvorte dverka do 4 sekúnd.
	Dverka umývačky nie sú zatvorené. Kolík Natural-Dry nie je vtiahnutý.	Energicky dverka zatlačte tak, aby ste počuli „cvaknutie“.
	Cyklus je prerušený otvorením dveriek na viac ako 4 sekundy.	Do 4 sekúnd zatvorte dverka a stlačte tlačidlo ŠTART/Pauza.
Z umývačky neodtiekla voda. Zobrazenie na displeji: F7 E3 alebo F9 E1	Filter je upchatý zvyškami jedla alebo vodným kameňom.	Vyčistite filter a spotrebič odvápnite (pozri <i>ČISTENIE ZOSTAVY FILTRA</i> a <i>NÁVOD NA ODVÁPNENIE</i>).
	Zalomená odtoková hadica.	Skontrolujte odtokovú hadicu (pozri <i>NÁVOD NA INŠTALÁCIU</i>).
	Odtokové potrubie drezu je upchaté.	Vyčistite odtokové potrubie drezu.
Umývačka vydáva nadmerný hluk.	Nádoby o seba hrkocú.	Uložte nádoby správne (pozri <i>UKLADANIE RIADU DO KOŠOV</i>).
	Vzniká nadmerné množstvo pary.	Umývací prostriedok nebol dávkovaný správne alebo nie je vhodný do umývačiek (pozri <i>PLNENIE DÁVKOVAČA UMÝVACIEHO PROSTRIEDKU</i>). Reštartujte aktuálny cyklus vypnutím umývačky, potom ju znova zapnite, zvolte nový program, stlačte ŠTART/Pauza a do 4 sekúnd zatvorte dverka. Nepridávajte čistiaci prostriedok.
	Riad nebol správne uložený.	Uložte nádoby správne (pozri <i>UKLADANIE RIADU DO KOŠOV</i>).
	Filter je upchatý zvyškami jedla alebo vodným kameňom.	Vyčistite zostavu filtrov (pozri <i>STAROSTLIVOSŤ A ÚDRŽBA</i>).
Riad nie je čistý.	Riad nebol správne uložený.	Uložte nádoby správne (pozri <i>UKLADANIE RIADU DO KOŠOV</i>).
	Ostrekovacie ramená sa nemôžu voľne točiť, bránia im v tom kusy riadu.	Uložte nádoby správne (pozri <i>UKLADANIE RIADU DO KOŠOV</i>). Skontrolujte, či je horný kôš v správnej polohe a prípade potreby ho upravte (zdvihnite).
	Umývací cyklus je príliš jemný.	Vyberte príslušný umývací cyklus (pozri <i>TABUĽKU PROGRAMOV</i>).
	Vzniká nadmerné množstvo pary.	Umývací prostriedok nebol dávkovaný správne alebo nie je vhodný do umývačiek riadu (pozri <i>PLNENIE DÁVKOVAČA UMÝVACIEHO PROSTRIEDKU</i>).
	Veko priehradky na leštidlo nebolo správne uzavreté.	Presvedčte sa, či je veko dávkočičky leštidla uzavreté.
	Filter je upchatý zvyškami jedla alebo vodným kameňom.	Vyčistite filter a spotrebič odvápnite (pozri <i>ČISTENIE ZOSTAVY FILTRA</i>).
Zásobník soli je prázdny.	Naplňte zásobník soli (pozri <i>PLNENIE ZÁSOBNÍKA SOLI</i>).	

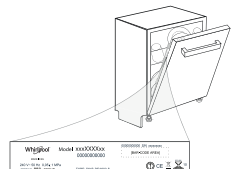
PROBLÉMY	MOŽNÉ PRÍČINY	RIEŠENIA
Umývačka sa neplní vodou. Zobrazenie na displeji: H2O a  svieti; ozýva sa zvukový alarm.	V prívode nie je voda alebo je uzavretý ventil.	Presvedčte sa, či je v prívode voda a či je kohútik otvorený.
	Prívodná hadica je ohnutá.	Skontrolujte prívodnú hadicu (<i>pozri INŠTALÁCIA</i>). Otvorte dvierka umývačky, stlačte tlačidlo ŠTART/Pauza a zatvorte dvierka do 4 sekúnd.
	Sítka v prívodnej hadici je upchaté. Je nevyhnutné ho vyčistiť.	Skontrolujte a vyčistite sítka v prívodnej hadici. Otvorte dvierka umývačky, stlačte tlačidlo ŠTART/Pauza a zatvorte dvierka do 4 sekúnd.
Umývačka predčasne ukončuje cyklus. Zobrazenie na displeji: F8 E3	Filter je upchatý zvyškami jedla alebo vodným kameňom.	Vyčistite filter a spotrebič odvápnite (<i>pozri ČISTENIE ZOSTAVY FILTRA a NÁVOD NA ODVÁPŇENIE</i>).
	Odtoková hadica je umiestnená príliš nízko alebo voda odteká do domáceho odpadového systému.	Skontrolujte, či je koniec odtokovej hadice umiestnený v správnej výške (<i>pozri INŠTALÁCIA</i>). Skontrolujte odvádzanie do systému domového odpadu, v prípade potreby namontujte vypínač odtoku/ventil prívodu vzduchu.
	Vzniká nadmerné množstvo pary.	Umývací prostriedok nebol dávkovaný správne alebo nie je vhodný do umývačiek riadu (<i>pozri PLNENIE DÁVKOVAČA UMÝVACIEHO PROSTRIEDKU</i>).
	V prívode vody je vzduch.	Skontrolujte, či v prívode vody nie sú netesnosti alebo iné problémy, pre ktoré uniká vzduch dovnútra.
Riad nie je dobre vysušený.	V dávkovači nie je leštidlo alebo je dávka príliš malá.	Presvedčte sa, či je dávkovač leštidla plný (<i>pozri PLNENIE DÁVKOVAČA LEŠTIDLA</i>). Iba multifunkčné tablety nezabezpečia taký dobrý výsledok sušenia ako použitie tekutého leštidla.
	Riad bol vyložený po automatickom otvorení dvierok, ale pred skutočným ukončením cyklu.	Predtým ako začnete riad vykladať, presvedčte sa, či sa cyklus skončil (<i>pozri KAŽDODENNÉ POUŽÍVANIE</i>). Pre ešte lepší výsledok sušenia sa odporúča nechať riad v umývačke pri otvorených dvierkach ďalších 15 minút po skončení cyklu.
	Riad je uložený príliš na plocho.	Ak v šálkach, pohároch alebo miskách zbadáte kaluže vody, skúste ukladať riad (najmä v hornom koši) väčšmi naklonený, aby väčšie množstvo vody pred sušením odtieklo.
	Zvolený cyklus nemá fázu sušenia.	Overte si v <i>TABUĽKE PROGRAMOV</i> , či má zvolený program fázu sušenia. Cyklus bez fázy sušenia nemusí dosahovať želanú účinnosť sušenia, preto sa odporúča vybrať radšej cyklus, ktorý má fázu sušenia.
	Nádoby majú úpravu proti pripáleniu alebo sú z plastu.	Je normálne, že na takomto type materiálu zostávajú nejaké kvapky vody.
Na riade a pohároch sú modré pásy alebo majú modrastý odtieň.	Dávka leštidla je priveľmi veľká.	Nastavte dávkovanie na nižšie hodnoty.
Na riadoch a pohároch sú usadeniny vodného kameňa alebo biely povlak.	Zásobník soli je prázdny.	Čo najskôr doplňte do zásobníka soľ. Používanie spotrebiča bez soli môže poškodiť jeho vnútorné komponenty.
	Je nastavená príliš nízka tvrdosť vody.	Zvýšte hodnoty tvrdosť vody (<i>pozri TABUĽKU TVRDOSTI VODY</i>).
	Uzáver zásobníka soli nie je dobre zavretý.	Skontrolujte a zatvorte záver zásobníka soli.
	Zásobník leštidla je prázdny alebo dávkovanie leštidla je nedostatočné.	Naplňte dávkovač leštidlom a skontrolujte nastavenie dávkovania (viac informácií nájdete - <i>pozri PLNENIE DÁVKOVAČA LEŠTIDLA</i>).
Umývačka riadu zobrazuje F8 E5	Ventil je zablokovaný alebo chybný.	Zatvorte ventil prívodu vody, ak je to možné. Nevypínajte napájanie. Zavolajte servis.



Firemné zásady, štandardnú dokumentáciu, objednávanie náhradných dielov a ďalšie informácie o produkte nájdete na:

- Pomocou QR kódu a na našej webovej stránke: **docs.whirlpool.eu**
- Na našej webovej stránke: **parts-selfservice.whirlpool.com**
- Prípadne **sa obráťte na náš popredajný servis** (Telefónne číslo nájdete v záručnej knižke). Pri kontaktovaní nášho popredajného servisu uveďte, prosím, kódy z výrobného štítku vášho spotrebiča.

Informácie o modele získate cez QR kód na energetickom štítku. Na štítku tiež nájdete identifikačné číslo modelu, ktoré môžete použiť na vyhľadávanie v registri na portáli <https://eprel.ec.europa.eu>.





TACK FÖR ATT DU HAR KÖPT EN PRODUKT FRÅN WHIRLPOOL.
För att få fullständig assistans, registrera din maskin på:
www.whirlpool.eu/register

Läs säkerhets- och installationsanvisningarna noga innan du använder apparaten. För mer information om produkten, besök webbplatsen: docs.whirlpool.eu

Efter installationen, kom ihåg att ta bort alla transportskyddsdelar från diskmaskinen.

KONTROLLPANEL

- Knapp för På-Av/Återställ med kontrollampa
- Programknapp FÖREGÅENDE
- Programknapp NÄSTA
- Programknapp FAVORIT med kontrollampa
- Kontrollampa tom saltbehållare
- Kontrollampa tom spolglansbehållare
- Kontrollampa AVKALKNING
- Kontrollampa för stängd vattenkran
- Display
- Programnummer och lampa för återstående tid
- Knapp för tillvalet Power Clean® med kontrollampa



- Knapp för tillvalet Halvfull maskin med kontrollampa / Inställning - tryck 3 sek
- Knapp för tillvalet Extra Torr med kontrollampa
- Knapp för tillvalet Fördröjning med kontrollampa
- Knapp för START/Paus med kontrollampa

FÖRSTA ANVÄNDNING

INSTÄLLNINGSMENY

- Slå på maskinen genom att trycka på knappen PÅ/AV .
- Håll knappen Inställning (Halvfull) intryckt i 3 sekunder tills du hör ett pip ljud och displayen visar „SET“.
- Efter en sekund visas den första tillgängliga inställningen (bokstaven „h“).
- Tryck på FÖREGÅENDE</NÄSTA> för att bläddra genom listan av tillgängliga inställningar (se tabellen nedan) och tryck sedan på START/Paus för att visa värdet för den nuvarande valda inställningen och ändra det.
- Tryck på FÖREGÅENDE</NÄSTA> för att ändra värdet och tryck sedan på START/Paus för att spara det nya värdet och gå tillbaka till huvudmenyn.
- Upprepa punkt 4 och 5 för att ändra en annan inställning.
- Tryck på PÅ/AV eller vänta 30 sekunder för att lämna meny.

BOKSTAV	INSTÄLLNING	VÄRDEN (Standard - i fetstil)
	Vattnets hårdhetsgrad (se "INSTÄLLNING AV VATTENHÅRDHET" och "VATTENHÅRDHETSTABELL")	1 2 3 4 5
	Spolglansnivå (se "JUSTERING AV SKÖLJMEDELSDOSERINGEN")	0 1 2 3 4 5
	NaturalDry (se "TILLVAL OCH FUNKTIONER") "1" = På, "0" = Av	1 0
	Golvbelysning (se "TILLVAL OCH FUNKTIONER") "1" = På, "0" = Av	1 0
	Ljud "1" = På, "0" = Av	1 0
	Fabriksinställningar Tryck på START/Paus för att återställa alla inställningsvärden som finns i inställningsmenyn till fabriksvärdena.	-

PÅFYLLNING AV SALTBEHÅLLAREN

Användning av salt förhindrar KALKBELÄGGNING på disken och på maskinens funktionella komponenter.

- Saltbehållaren finns i botten av diskmaskinen (under underkorgen till vänster).
- Det är obligatoriskt att **SALTBEHÅLLAREN ALDRIG ÄR TOM**.
- Det är viktigt att ställa in vattenhårdheten.
- Salt måste fyllas på när **kontrollampan FYLL PÅ SALT** tänds på kontrollpanelen.

- Avlägsna underkorgen och skruva loss behållarens lock (moturs).
- Sätt tratten på plats (se bild) och fyll salt behållaren ända upp till kanten (cirka 0,5 kg); det är inte ovanligt att lite vatten rinner över.
- Gör detta endast den första gången: fyll saltbehållaren med vatten**

4. Ta bort tratten och torka bort eventuella saltrester från öppningen. Kontrollera att locket är ordentligt fastskruvat, så att inget diskmedel kan tränga in i behållaren under diskprogrammet (detta kan skada vattenavhårdaren så att den inte kan repareras).

Närhelst du behöver lägga till salt är det obligatoriskt att slutföra proceduren före diskcykeln startar för att undvika korrosion.

Nställning av vattenhårdhet

För att vattenavhårdaren ska kunna fungera perfekt är det nödvändigt att vattenhårdhetsinställningen grundar sig på den verkliga vattenhårdheten hemma hos dig. Denna information kan du få från din lokala vattenleverantör. Fabriksinställningen är "3". se "VATTENHÅRDHETSTABELL".

För att ändra, följ instruktionerna i avsnittet "INSTÄLLNINGSMENY".

Ändra endast salt som utvecklas speciellt för diskmaskiner.

Efter att saltet hällts i maskinen släcks SALTPÅFYLLNINGSSINDIKATORN.

Om saltbehållaren inte fylls kan vattenavhårdaren och värmeelementet skadas som resultat av kalkansamling.

Användning av salt rekommenderas med alla typer av diskmedel.

Vattenhårdhetstabell

Nivå	°dH Grader, tysk standard	°fH Grader, fransk standard	°Clark Grader, engelska standard
1 (Mjukt)	0 - 6	0 - 10	0 - 7
2 (Normal)	7 - 11	11 - 20	8 - 14
3 (Normalt)	12 - 16	21 - 29	15 - 20
4 (Hårt)	17 - 34	30 - 60	21 - 42
5 (Mycket hårt)	35 - 50	61 - 90	43 - 62

VATTENMJUKGÖRINGSSYSTEM

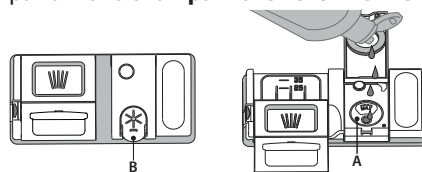
Vattenmjukgöring minskar automatiskt vattenhårdheten och förhindrar följaktligen kalkförekomst på värmaren, vilket också bidrar till bättre rengöringseffektivitet. **Detta system regenererar sig själv med salt, därför är det nödvändigt att fylla på saltbehållaren när den är tom.**

Regenereringsfrekvensen beror på inställningen av vattenhårdhetsnivå - sker regenerering en gång per 4-6 Eco-program med vattenhårdhetsnivån inställd till 3. Regenereringen sker i början av programmet med extra kravnatten.

- För en regenerering behövs: ~3 L vatten,
- Tar upp till 5 minuter extra för programmet,
- Använder under 0,005 kWh energi.

PÅFYLLNING AV SKÖLJMEDELSBEHÅLLARE

Sköljmedel underlättar TORKNING av disken. Sköljmedelsbehållaren A ska fyllas på när **kontrollampan för SKÖLJMEDELSNIVÅ** tänds på kontrollpanelen.



- Öppna behållaren B genom att trycka och dra upp fliken på locket.
- Håll försiktigt i sköljmedel tills det når referensmärket max (110 ml) på påfyllningsöppningen - undvik spill. Om detta skulle hända ska man omedelbart torka upp spillet med en torr trasa.

- Tryck locket nedåt tills du hör ett låsande klickljud. **Häll ALDRIG sköljmedel direkt i maskinbotten.**

Justering av sköljmedelsdoseringen

Om du inte är helt tillfreds med torkresultatet kan du justera den använda sköljmedelsmängden.

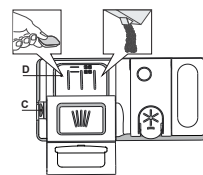
För att ändra, följ instruktionerna i avsnittet "INSTÄLLNINGSMENY".

Om sköljmedelsnivån är inställd på NOLL tillförs inget sköljmedel. Kontrollampan för **LÅG SKÖLJMEDELSNIVÅ** kommer inte att tändas om sköljmedlet tar slut. Högst 6 olika nivåer kan ställas in med denna diskmaskinsmodell.

- Om du ser blåaktiga streck på tallrikarna, ställ in ett lågt nummer (0-3).
- Om det finns vattendroppar eller kalkmärken på disken, ställ in ett högt nummer (4-5).

PÅFYLLNING AV DISKMEDELSBEHÅLLAREN

Använd öppningsdonet C för att öppna diskmedelsbehållaren. Häll diskmedlet i behållaren D, som ska vara torr. Häll fördiskens diskmedel direkt i maskinbotten.



- Se den ovanstående informationen när det gäller rätt mängd vid dosering av diskmedel. I diskmedelsfacket D finns det markeringar som underlättar doseringen.
- Avlägsna diskmedelsrester från behållarens kanter och stäng locket med ett klick.
- Stäng diskmedelsbehållarens lock genom att trycka på det tills spärren är ordentligt låst.

Diskmedelsbehållaren öppnas automatiskt i rätt moment baserat på programmet.

Användning av diskmedel som inte är avsett för diskmaskiner kan orsaka funktionsfel eller skador på apparaten.

DAGLIG ANVÄNDNING

1. KONTROLLERA ANSLUTNINGEN TILL VATTENLEDNINGEN

Kontrollera att diskmaskinen är ansluten till vattenledningen och att kranen är öppen.

2. SÄTT PÅ DISKMASKINEN

Öppna luckan och tryck på knappen **PÅ/AV**.

3. STÄLL IN DISKGODSET (se STÄLLA IN DISKGODSET).

4. PÅFYLNING AV DISKMEDELSBEHÅLLAREN

5. VÄLJ PROGRAM OCH STÄLL IN LÄMPLIG CYKEL

Välj det program som är mest lämpligt för typen av disk och hur smutsig disken är (se PROGRAMBESKRIVNING) genom att trycka på knapparna **FÖREGÅENDE/NÄSTA**.

Välj önskade tillval (se TILLVAL OCH FUNKTIONER). Inte alla tillval kan väljas med alla program.

6. START

Starta diskprogrammet genom att trycka på knappen **START/Paus** (lysdioden lyser) och stänga luckan inom 4 sek. När programmet startar avges ett pip. Ett larm ljuder om luckan inte stängs inom fyra sekunder. Öppna i så fall luckan, tryck på knappen **START/Paus** och stäng luckan igen inom 4 sek.

7. PROGRAMSLUT

En ljudsignal anger att diskprogrammet är slut och på displayen visas **END (SLUT)**. Öppna luckan och slå av maskinen genom att trycka på knappen **PÅ/AV**.

Vänta några minuter innan disken tas ut - för att undvika brännskador. Töm korgarna och börja med underkorgen.

ÄNDRA ETT PROGRAM SOM KÖRS

Om du har valt fel program kan du ändra det, under förutsättning att det precis har börjat. **ÅTERSTÄLL** maskinen: Håll knappen **PÅ/AV** intryckt i mer än 3 sek tills maskinen stängs av. **Kontrollpanelen visar "0:01"**. Stäng luckan och vänta tills avrinningscykeln är avslutad (cirka 1 minut). Öppna luckan och slå på maskinen igen med knappen **PÅ/AV** och välj ett nytt diskprogram och eventuella önskade alternativ. Starta programmet genom att trycka på knappen **START/Paus** och stänga luckan inom 4 sek.

LÄGGA IN MER DISK

Utan att stänga av maskinen ska du öppna luckan försiktigt för att undvika vattenstänk (lysdioden **START/Paus** börjar blinka) (**Se up! Varm ånga!**) och sätta in disken i diskmaskinen. Tryck på knappen **START/Paus** och stäng luckan inom 4 sekunder för att fortsätta programmet där det avbröts.

OAVSIKTLIGA AVBROTT

Om luckan öppnas under diskprogrammet, eller om strömmen bryts, så avbryts programmet. **ENDAST OM DU TRYCKER PÅ** knappen **START/Paus** och stänger luckan inom 4 sekunder kommer programmet att fortsätta där det avbröts.

RÅD OCH TIPS

TIPS

Innan korgarna fylls ska alla matrester avlägsnas från porslinet och glaset ska tömmas. **Du behöver inte skölja diskgodset innan under rinnande vatten.**

Placera porslinet så att det hålles ordentligt på plats och inte välter; och placera behållare med öppningen nedåt och de konkava/konvexa delarna snett, så att vattnet kan nå alla ytorna och flöda fritt.

WARNING: lock, handtag, serveringsfat och stekjärn hindrar inte spolarmarna från att rotera.

Placera eventuella mindre föremål i bestickkorgen.

Mycket smutsig disk och pannor ska placeras i underkorgen för i denna avdelning spolas vattnet med större kraft och ger bättre diskprestanda.

När maskinen fyllts, kontrollera att spolarmarna kan rotera fritt.

OLÄMPLIGT DISKGODS

- Diskgods och bestick i trä.
- Ömtåliga dekorerade glas, konsthantverk och antik porslin. Dekorationerna på dessa är inte beständiga.
- Delar i syntetmaterial som inte kan motstå höga temperaturer.
- Diskgods i koppar och tenn.
- Diskgods som har fläckar av aska, vax, smörjmedel eller bläck.

Färg på glasdekorationer och delar i aluminium/silver kan förändras och blekas under diskning. Vissa typer av glas (t.ex. kristallföremål) kan även bli ogenomskinliga efter ett antal diskcykler.

SKADOR PÅ GLAS OCH PORSLIN

- Använd endast glas och porslin som garanterats som maskindisksäkert av tillverkaren.
- Använd ett mildt diskmedel som lämpar sig för glas och porslin för att undvika vita ränder på glasföremål.
- Avlägsna glas och porslin från diskmaskinen så snart diskcykeln avslutats.

TIPS FÖR ENERGIBESPARING

- När hushållets diskmaskin används enligt tillverkarens anvisningar **förbrukar diskmaskinen vid diskning av porslin vanligtvis mindre energi och vatten än vid handdiskning.**
- För att maximera diskmaskinens effektivitet rekommenderas att du startar diskprogrammet först **när diskmaskinen är fulladdad**. En fulladdad diskmaskin som laddats upp till den kapacitet som anges av tillverkaren kommer att leda till energi- och vattenbesparingar i hemmet. Information om korrekt insättning av porslin finns i kapitlet **INSÄTTNING I KORGAR**. För en halvfull maskin rekommenderas det att använda speciella diskalternativ om de finns tillgängliga (Half load/ Zone Wash/ Multizone) (Halvfull/Zondisk/Multizone), så att du bara fyller på utvalda korgar. Felaktig insättning eller överbelastning av diskmaskinen kan öka resursanvändningen (såsom vatten, energi och tid, samt öka ljudnivån), vilket minskar rengörings- och torkprestandan.
- Manuell försköljning av porslin leder till ökad vatten- och energiförbrukning och rekommenderas inte.

HYGIENDISK

För att undvika lukt och avlagringar som kan samlas i diskmaskinen **ska man köra ett högtemperaturprogram minst en gång i månaden**. Använd en tesked diskmedel och kör det utan disk för att rengöra din apparat.

MOTSTÅNDSKRAFT MOT FROST

Om maskinen ställs på en plats där den kan utsättas för frost **måste den tömmas helt på vatten**. Stäng vattenkranen, skruva loss inlopps- och avloppsslangen och låt allt vatten rinna ut. **Se till att avhärldningssystemet är fullt av löst regenereringssalt i saltbehållaren** så att maskinen skyddas mot temperaturer ned till -20 °C.

Om maskinen har förvarats under frostförhållanden måste man låta maskinen stå i en omgivningstemperatur på minst 5 °C i **minst 24 timmar** innan den används.

PROGRAMTABELL

Program	Programbeskrivning	Torkningsfas	NaturalDry	Tillgängliga tillval *)	Diskprogrammets varaktighet (h:min)**)	Vattenförbrukning (liter/program)	Energiförbrukning (kWh/program)
P1 Eco	Eko 50° - Eko-programmet är lämpligt för rengöring av en normalt nedsmutsad bordsservis. Det är det effektivaste programmet med avseende på den kombinerade energi- och vattenförbrukningen för denna användning och det används i överensstämmelse med EU:s lagstiftning om ekodesign.	✓	✓		3:30	9,5	0,76
P2	Auto Intensiv 65° - Automatiskt program för väldigt smutsiga tallrikar och kastruller.	✓	✓		2:25-3:10	15,5-24,5	1,30-1,70
P3	Auto Blandat 55° - Automatiskt program för normalsmutsig disk med intorkade matrester.	✓	✓		1:20-3:00	7,5-19,5	0,75-1,20
P4	Auto Snabb 50° - Automatiskt program för normal- och lättsmutsig disk. Vardagsprogram som garanterar bra disk- och torkresultat på kort tid.	✓	✓		1:00-1:50	7,5-15,5	0,70-1,10
P5	Snabb 45° - Programmet rekommenderas för begränsad mängd lättsmutsig disk utan intorkade matrester. Det har ingen torkfas.	-	✓		0:30-0:40	10-12	0,55-0,65
P6	Kristall 45° - Program för ömtåliga föremål som är känsligare för höga temperaturer, t.ex. glas och koppar.	✓	✓		1:40-1:50	12,5-16,5	0,95-1,20
P7	Tyst 55° - Lämpar sig för användning av maskinen på natten. Optimal prestanda garanteras.	✓	✓		3:50-4:10	10,5-14,5	0,80-1,15
P8	Sterilisera 65° - Normalt eller hårt smutsad disk, med extra antibakteriell verkan. Kan användas för att utföra underhåll på diskmaskinen.	✓	-		1:55-2:10	12-19	1,40-1,80
P9	Fördisk - Använd för att blötlägga disk som ska diskas vid senare tillfälle. Inget diskmedel ska användas med detta program.	-	✓		0:12	4,5	0,10
P10	Självrengöring 65° - Program som ska användas för underhåll av diskmaskinen, som endast ska utföras när diskmaskinen är TOM med specifika tvättmedel utformade för diskmaskinsunderhåll.	-	-		1:15	11,0	1,10

EKO-programmets data har mätts i laboratorium enligt Europeisk Standard EN 60436:2020.

Notering för provlaboratorium: För information om villkoren för jämförelse provningen EN, skriv till e-postadress: dw_test_support@whirlpool.com

Dysken behöver inte förbehandlas för något av programmen.

*) Inte alla tillval kan användas samtidigt.

**) Värden som ges för andra program än Eco-programmet är endast vägledande. Den verkliga tiden kan variera beroende på många faktorer så som temperatur och tryck på inloppsvatten, rumstemperatur, diskmedelmängd, mängd och typ av disk, diskens jämvikt, ytterligare valda tillval och sensorkalibrering. Sensorkalibreringen kan öka diskmaskinens programtid upp till 20 min.

TILLVAL OCH FUNKTIONER

TILLVAL kan väljas/tas bort direkt efter att ha valt programmet genom att trycka på motsvarande knapp (om tillgänglig - lampan lyser) (se KONTROLLPANEL). Om ett tillval inte är förenligt med det valda programmet (se PROGRAMTABELL), blinkar den motsvarande LED-lampan snabbt 3 gånger och pipsignaler hörs. Alternativet aktiveras inte. Ett tillval kan ändra tiden eller vatten- eller energiförbrukningen för programmet.

POWER CLEAN® - Tack vare de extra kraftstrålarna ger detta alternativ en mer intensiv i ett särskilt område i underkorgen. Detta tillval rekommenderas för att diska kastruller och grytor (se avsnittet Power Clean® i laddning).

HALVFULL - Om det inte finns mycket disk att diska ska du använda HALVFULL för att spara på vatten, el eller tid beroende på vilket program som väljs. **Kom ihåg att halvera diskmedelmängden.**

EXTRA TORR - En högre temperatur under den sista sköljningen och en förlängd torkfas ger bättre torkning. Funktionen EXTRA TORR medför att diskprogrammet förlängs.

FÖRDRÖJ - Programmets start kan fördröjas i en tid från **0:30** och **24** timmar.

- Välj programmet och eventuella tillval. Tryck på fördröjningsknappen (flera gånger) för att senarelägga programstarten. Justerbar mellan 0:30 och 24 timmar. När inställningen 24 timmar är uppnådd trycker du på FÖRDRÖJ en gång till för att avaktivera fördröjningsfunktionen.
- Tryck på knappen START/Paus och stäng luckan inom 4 sekunder. Timern börjar nedräkningen.
- När tiden har gått släcks kontrollampen och programmet startar automatiskt.

Fördröjningsfunktionen kan inte ställas in när ett program redan har startat.

AVKÄNNANDE - När sensorn känner av mängden smuts visas en animation på displayen (i ungefär 20 min) och programtiden uppdateras. Avkännandet avser diskens smutsnivå och är tillgängligt för alla program (utom Eko) och justerar programmet i enlighet med detta.

FAVORITPROGRAM - Favoritprogrammet kan sparas för att lätt hittas igen. Hitta programmet med FÖREGÅENDE/NÄSTA och tryck sedan på knappen FAVORITPROGRAM i 3 sekunder.

GOLVBELYSNING - DIODBELYSNING som projiceras på golvet visar att diskmaskinen är i gång. Ljuset släcks i slutet av cykeln. Denna funktion är aktiv som standard, men kan avaktiveras i "INSTÄLLNINGSMENY".

NaturalDry - Det är ett konvektionstorksystem som automatiskt öppnar luckan under/efter torkfasen för att säkerställa perfekt torkning varje dag. Luckan öppnas vid den temperatur som är säker för dina köksmöbler. Ett specialutformat ångskydd i form av en skyddsfolie medföljer diskmaskinen. Information om hur du monterar skyddsfolien finns i INSTALLATIONSANVISNINGAR. Denna funktion är aktiv som standard, men kan avaktiveras i "INSTÄLLNINGSMENY".

AVKALKKA - Larm - Det har upptäckts kalkavlagringar på maskinens inre komponenter. Kontrollera att **Inställningen för vattnets hårdhet** är på rätt värde och att det finns **salt** i saltbehållaren (se FÖRSTA ANVÄNDNING). **Använd sedan en avkalkningsprodukt** (WPro-märket rekommenderas) med **programmet Självrengöring**. Efter en lyckad avkalkning visas inte längre symbolen. Om ovanstående åtgärder inte utförs kommer produktens prestanda att försämrans. Varningen AVKALKKA börjar blinka och larmet «dES» visas på displayen. Om ingen åtgärd fortfarande vidtas kommer maskinen bara att tillåta ett visst antal cykler startas (anges under larmvisningen «dES»). Därefter kommer den att **BLOCKERAS** för att förhindra skador på komponenterna, och **endast programmet Självrengöring** kommer att vara tillgängligt. Efter en fullständig avkalkning kan produkten köras igen. Vid extremt stora mängder kalk kan avkalkning behöva utföras två gånger för att vara effektiv.

STÄNGD VATTENKRAN - Larm - Blinkar när vatten inte tas in eller kranen är stängd.

STÄLLA IN DISKGODSET

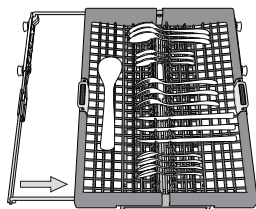
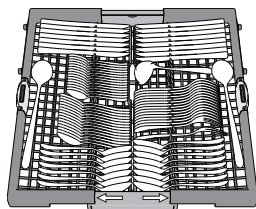
KAPACITET: 15 standardkuvert

BESTICKKORG

Den tredje korgen har utarbetats för bestick. Placera besticken som på bilden. Genom att placera besticken på avstånd från varandra är det lättare att plocka ur dem efteråt och ger bättre disk- och torkresultat.

Knivar och andra redskap med vassa kanter ska placeras i bestickkorgen med spetsen vänd nedåt.

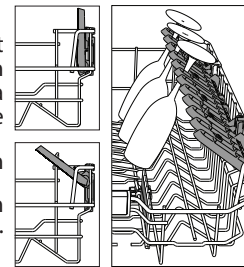
Bestickkorgen är försedd med två skjutvagnar för att optimera utrymmet i underkorgen och tillåta att placera höga föremål i överkorgen.



Fällbara koppställ med justerbart läge

Sidokoppställningarna kan vikas in eller ut för att optimera placeringen av kärl i korgen. Vinglas kan placeras säkert i de vikbara koppställningarna genom att man för in glasens fot i de motsvarande springorna. Beroende på modell:

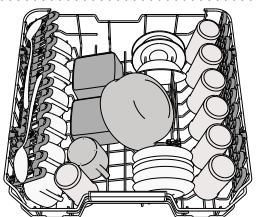
- för att vika ut ställningarna måste de skjutas upp och roteras eller släppas upp från fästena och dras ner.
- för att vika in ställningarna måste de roteras och skjutas ner eller dras upp och knäppas fast i fästena.



ÖVERKORG

Placera ömtålig och lätt disk här: glas, koppar, tefat, låga salladsskålar. Överkorgen är försedd med uppfällbara stöd som kan användas i lodrätt läge för placering av tefat/efferttallrikar eller i det nedre läget för att ställa in skålar och matlådor.

(exempel på fyllning av överkorgen)

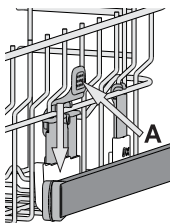


Justera höjden på överkorgen

Höjden på överkorgen kan justeras: i högt läge för att placera skrymmande föremål i underkorgen och i lågt läge för att utnyttja de fällbara koppställena och skapa större utrymme uppåt och undvika kontakt med diskgodset som placerats i underkorgen.

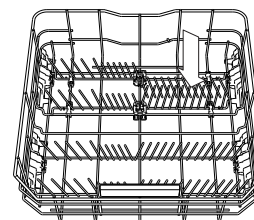
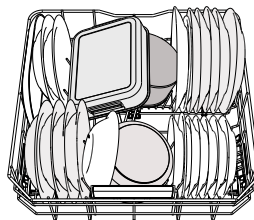
Överkorgen är försedd med en **Justeringsmekanism för överkorgen** (se bild). Lyft korgen utan att trycka på spakarna genom att ta tag i korgens sidor och släpp när korgen är stabil i sitt övre läge. För att sätta tillbaka den i det nedre läget, tryck på spakarna (A) på korgens sidor och flytta korgen nedåt.

Vi rekommenderar att du inte justerar höjden på korgen när den är full. Hög eller sänk ALDRIG korgen bara på ena sidan.



UNDERKORG

För grytor, lock, tallrikar, salladsskålar, bestick o.s.v. Stora tallrikar och lock placeras bäst på sidorna för att undvika kontakt med spolarmen. Underkorgen är försedd med uppfällbara stöd som kan användas i lodrätt läge för placering av tallrikar eller i vågrätt läge (nedsänkta) för att lättare ställa in grytor och salladsskålar.



(exempel på fyllning av underkorgen)

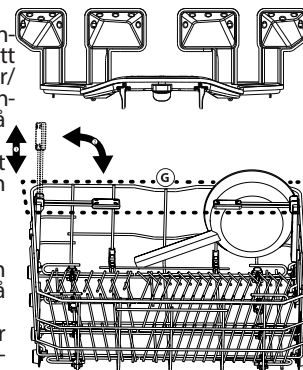
POWER CLEAN®

Power Clean® använder sig av speciella vattenstrålar i den bakre delen av diskrummet för att diska smutsig disk mer intensivt. När grytor/pannor placeras vända mot Utrymmeszon-enheten ska man aktivera **POWER CLEAN** på panelen.

Underkorgen har en Utrymmeszon, ett särskilt utdragbart stöd på korgens baksida som kan användas för att hålla stekjärn eller bakplåtar i upprätt läge så att de tar mindre plats.

Användning av Power Clean®:

1. Justera Power Clean®-området (G) genom att fälla ned det bakre tallriksstället för att få plats med kastruller.
2. Placera kastruller och stekpannor i Power Clean®-området med vertikal lutning. Kastrullerna måste lutats mot spolmunstyckena i Power Cleanområdet.



SKÖTSEL OCH UNDERHÅLL

RENGÖRING AV FILTERENHETEN

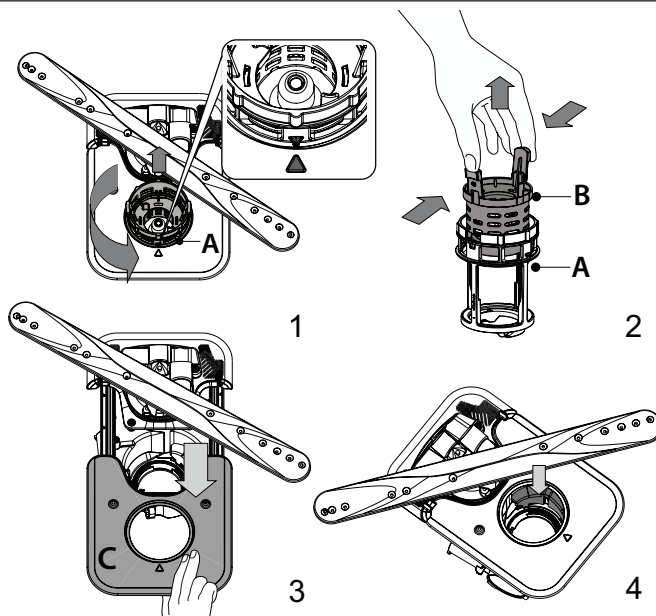
Rengör filterenheten regelbundet så att filtren inte igensätts och avloppsvattnet rinner ut som det ska. Användning av diskmaskin med tilltäppta filter eller främmande föremål i filtreringssystem eller sprayarmar kan orsaka funktionsfel på enheten, vilket kan leda till sämre prestanda, buller eller en högre resursanvändning. Filternheten består av tre filter som avlägsnar matrester från diskvattnet och sen låter vattnet återcirkulera. De måste rengöras om du vill uppnå bästa resultat för varje diskning.

Diskmaskinen får inte användas utan filter eller om filtret sitter löst.

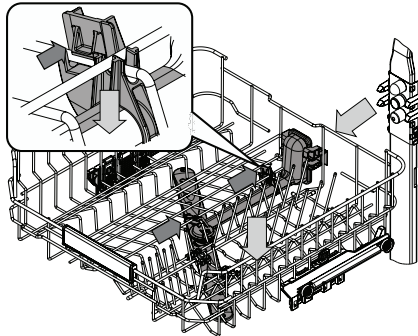
Kontrollera filterenheten och rengör den noga vid behov under rinnande vatten med en icke-metallisk borste åtminstone en gång per månad eller efter 30 program. Följ instruktionerna nedan:

1. Vrid det runda filtret A moturs och dra ut det (Figur 1). **Det är viktigt att de två trianglarna som visas på den inzoomade bilden möts när du sätter tillbaka filtret.**
2. Avlägsna det skålförmade filtret B genom att trycka lätt på sidoflikarna (Figur 2).
3. Låt det rostfria platta filtret C glida ut (Figur 3).
4. Om du hittar främmande föremål (som trasigt glas, porslin, ben, fruktfrön etc.), avlägsna dem försiktigt.
5. Kontrollera fällan och ta bort eventuella matrester. **TA ALDRIG BORT** diskcykelns pumpskydd (visas med en pil) (Figur 4).

Efter rengöring av filtren, montera tillbaka filterenheten på plats på rätt sätt detta är nödvändigt för att man ska kunna bibehålla diskmaskinens effektivitet.

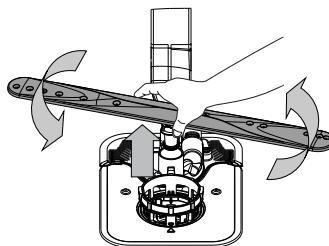


RENGÖRING AV SPOLARMARNA

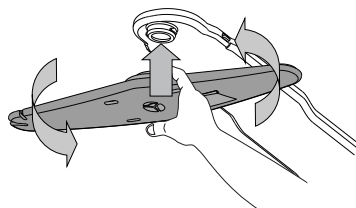


I vissa fall kan matrester fastna på spolarmarna och blockera hålen som vattnet spolas ut genom. Det rekommenderas därför att man kontrollerar spolarmarna lite då och då och rengör dem med en liten icke-metallisk borste.

För att ta bort den övre spolarmen måste även grenröret avlägsnas.



Den nedre spolarmen kan tas bort genom att dra den uppåt och vrida den moturs. Spolarmen monteras tillbaka genom att trycka den nedåt och vrida den medurs.



Den øvre sprayarmen kan fjernes ved å trekke den oppover og rotere den mot urviseren. Sprayarmen monteres tilbake ved å dra den oppover og rotere den med urviseren.

FELSÖKNING

Om din diskmaskin inte fungerar ordentligt, kontrollera om problemet kan lösas genom att gå igenom följande lista. För andra fel eller problem, kontakta auktoriserad kundservice. Kontaktinformationen finns i garantihäftet. Reservdelar kommer att vara tillgängliga i en period på antingen upp till 7 eller upp till 10 år, beroende på de specifika lagkraven.

PROBLEM	MÖJLIGA ORSAKER	ÅTGÄRDER
Saltlampan är tänd	Saltbehållaren är nästan tom.	Fyll på salt i behållaren (se PÅFYLNING AV SALTBEHÅLLAREN för mer information). Kontrollera vattenhårdhetens inställning om nödvändigt (se VATTENHÅRDHETSTABELL).
Saltlampan blinkar	Saltbehållaren är tom.	Fyll på salt i behållaren så snart som möjligt. Om maskinen används utan salt kan dess inre komponenter skadas.
Spolglanslampan är tänd eller blinkar	Spolglansbehållaren är tom. (Spolglanslampan kan fortsätta att vara tänd en kort stund).	Fyll på spolglans i behållaren (se PÅFYLNING AV SKÖLJMEDELSBEHÅLLARE för mer information).
Avkalkningslampan är tänd eller blinkar: larmet „dES“ visas.	Kalkavlagringar samlas på maskinens inre komponenter.	Avkalka genast maskinen med hjälp av Självrengöringsprogrammet och en kommersiellt tillgänglig avkalkningsprodukt (se TILLVAL OCH FUNKTIONER). Fyll behållaren med salt. Kontrollera vattenhårdhetens inställning. Om maskinen inte avkalkas kommer den att sluta fungera.
Diskmaskinen startar inte eller svarar inte på knapptryck.	Maskinen har inte anslutits till elnätet på rätt sätt.	För in kontakten i uttaget.
	Strömavbrott.	Av säkerhetsskäl startar inte diskmaskinen automatiskt när strömmen återställs. Öppna diskmaskinens lucka, tryck på knappen START/Paus och stäng luckan inom 4 sek.
	Diskmaskinluckan är inte stängd. Stiftet för NaturalDry är inte indraget.	Tryck hårt på luckan tills du hör ett „klick“.
	Programmen avbryts om luckan är öppen i mer än 4 sekunder.	Tryck på START/Paus och stäng luckan inom 4 sekunder.
Diskmaskinen töms inte. Displayen visar: F7 E3 eller F9 E1	Kontrollpanelen svarar inte eller F6 E1 visas.	Slå av maskinen genom att trycka på På-Av/Återställ knappen, slå sedan på den efter cirka en minut och starta om programmet. Om problemet kvarstår, ta ut maskinens elkontakt och sätt in den igen efter 1 minut.
	Filtret är igensatt av matrester eller kalk.	Rengör filtret och avkalka maskinen (se RENGÖRING AV SPOLARMARNA och INSTRUKTIONER FÖR AVKALKNING).
	Avloppsslangen är vikt.	Kontrollera avloppsslangen (se INSTALLATIONSINSTRUKTIONER).
Diskmaskinen bullrar för mycket.	Diskhons avloppsrör är blockerat.	Rengör diskhons avloppsrör.
	Disken skramlar mot varandra.	Placera porslinet rätt (se STÄLLA IN DISKGODSET).
	Det finns för mycket skum.	Diskmedlet har inte doserats rätt, eller är inte lämpligt för användning i diskmaskin (se FYLLA PÅ DISKMEDELSBEHÅLLAREN). Starta om det aktuella programmet genom att stänga av diskmaskinen och sedan slå på den igen, välj ett nytt program, trycka på START/Paus och stänga luckan inom 4 sekunder. Fyll inte på något diskmedel.
	Porslinet har inte placerats rätt.	Placera porslinet rätt (se STÄLLA IN DISKGODSET).
Disken blir inte ren.	Filtret är igensatt av matrester eller kalk.	Rengör filterenheten (se SKÖTSEL OCH UNDERHÅLL).
	Porslinet har inte placerats rätt.	Placera porslinet rätt (se STÄLLA IN DISKGODSET).
	Spolarmarna kan inte rotera fritt, de hindras av disken.	Placera porslinet rätt (se STÄLLA IN DISKGODSET). Kontrollera att överkorgen sitter på rätt plats och justera den (höj den) om nödvändigt.
	Diskprogrammet är för mildt.	Välj ett lämpligt diskprogram (se PROGRAMTABELL).
	Det finns för mycket skum.	Diskmedlet har inte doserats rätt, eller är inte lämpligt för användning i diskmaskin (se PÅFYLNING AV DISKMEDELSBEHÅLLAREN).
	Spolglansbehållarens lock är inte ordentligt stängt.	Kontrollera att locket till spolglansbehållaren är stängt.
	Filtret är igensatt av matrester eller kalk.	Rengör filtret och avkalka maskinen (se RENGÖRA FILTERENHETEN).
Saltbehållaren är tom.	Fyll saltbehållaren (se PÅFYLNING AV SALTBEHÅLLAREN).	

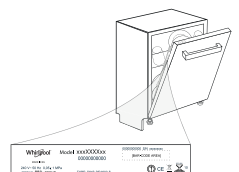
PROBLEM	MÖJLIGA ORSAKER	ÅTGÄRDER
Diskmaskinen tar inte in vatten. Displayen visar: H2O med tänd lampa och ett ljudlarm avges.	Inget vatten i vattenledningen eller stängd kran.	Kontrollera att det finns vatten i vattenledningen eller att kranen är öppen.
	Vatteninloppsslangen är vikt.	Kontrollera inloppsslangen (se <i>INSTALLATION</i>). Öppna diskmaskinens lucka, tryck på knappen START/Paus och stäng luckan inom 4 sek.
	Silen i vatteninloppsslangen är igensatt. Den måste rengöras.	Kontrollera och rengör silen i vatteninloppsslangen. Öppna diskmaskinens lucka, tryck på knappen START/Paus och stäng luckan inom 4 sek.
Diskmaskinen avslutar programmet för tidigt. Displayen visar: F8 E3	Filtret är igensatt av matrester eller kalk.	Rengör filtret och avkalka maskinen (se <i>RENGÖRING AV SPOLARMARNA och INSTRUKTIONER FÖR AVKALKNING</i>).
	Avloppsslangen är placerad för lågt eller sugts in i hemavloppssystemet.	Kontrollera om änden på avloppsslangen är placerad på rätt höjd (se <i>INSTALLATION</i>). Kontrollera om den sugts in i hemavloppssystemet och montera en sifonbrytare/luftventil om nödvändigt.
	Det finns för mycket skum.	Diskmedlet har inte doserats rätt, eller är inte lämpligt för användning i diskmaskin (se <i>PÅFYLLNING AV DISKMEDELSBEHÅLLAREN</i>).
	Luft i vattentillförseln.	Kontrollera vattenförsörjningen för läckor eller andra problem med luftinsläpp.
Disken blir inte helt torr.	Det saknas spolglans eller för låg dosering.	Se till att spolglansbehållaren är full (se <i>PÅFYLLNING AV SKÖLJMEDELSBEHÅLLAREN</i>). All In One-tabletter ger inte lika bra torkeffekt som vid användning av flytande spolglans.
	Disken plockades ur efter att luckan öppnats automatiskt men innan programmet hade avslutats.	Se till att programmet har avslutats innan du börjar ta ut disken (se <i>DAGLIG ANVÄNDNING</i>) eller är tom). För ännu bättre torkresultat rekommenderas att låta disken vara kvar i diskmaskinen med luckan öppen i ytterligare 15 minuter efter att programmet har avslutats.
	Disken sitter för platt.	Om det finns vattenpölar i hålrummen i koppar, muggar eller skålar kan du försöka ställa in disken (särskilt i överkorgen) på så sätt att större mängder vatten kan droppa ner innan torkningen börjar.
	Torkfasen ingår inte i det valda programmet.	Kontrollera i <i>PROGRAMTABELL</i> om det valda programmet har någon torkfas. Ett program utan torkfas kanske inte ger önskad torkeffekt, så det rekommenderas att ändra programvalet till ett program med torkfas.
	Disken är gjord av non-stick material eller plast.	Det är normalt att några vattendroppar finns kvar på sådant material.
Tallrikar och glas har blå ränder eller blåaktiga fläckar.	För hög spolglansdosering.	Ställ in doseringen på ett lägre värde.
Tallrikar och glas är täckta av kalkavlagringar eller vitaktig beläggning.	Saltbehållaren är tom.	Fyll på salt i behållaren så snart som möjligt. Om maskinen används utan salt kan dess inre komponenter skadas.
	Vattenhårdenheten har ställts in på ett för lågt värde.	Ställ in på ett högre värde (se <i>VATTENHÅRDHETSTABELL</i>).
	Locket till saltbehållaren är inte ordentligt stängt.	Kontrollera och stäng locket på saltbehållaren.
	Spolglansbehållaren är tom eller doseringen av spolglans är för låg.	Fyll på spolglans i behållaren och kontrollera inställningen av dosering (för mer information - se <i>PÅFYLLNING AV SKÖLJMEDELSBEHÅLLAREN</i>).
Diskmaskinen visar F8 E5	Ventilen är blockerad eller trasig.	Stäng vattenkranen om möjligt. Bryt inte strömförsörjningen. Kontakta service.



Du kan få åtkomst till regelverk, standarddokumentation, beställning av reservdelar och ytterligare produktinformation genom att:

- Använda QR-koden och besöka vår webbsida docs.whirlpool.eu
- Besöka vår webbsida parts-selfservice.whirlpool.com
- Eller, **genom att kontakta vår kundservice** (Se telefonnumret i garantihäftet). När du kontaktar vår kundservice, ange koderna som står på produktens typskylt.

Modellinformationen kan hämtas med QR-koden som finns på energietiketten. Etiketten innehåller också modellidentifieraren som kan användas för att konsultera registerportalen på <https://eprel.ec.europa.eu>.



400011648253C
05/2023 dk - Xerox Fabriano

