

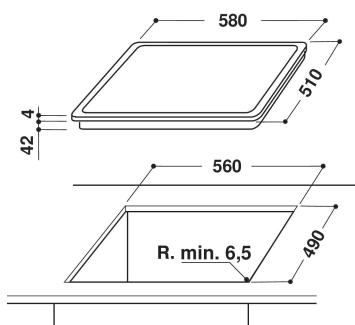
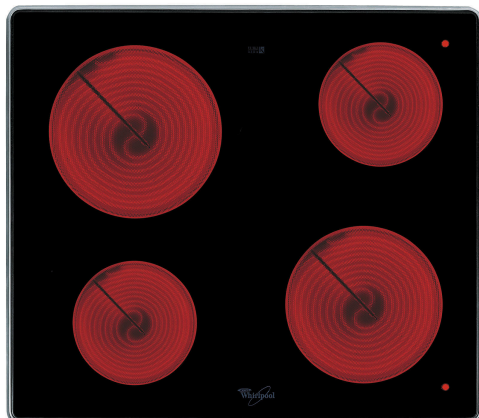
# AKR 101/IX

12NC: 857810110000

EAN code: 8003437343452

**Whirlpool**

SENSING THE DIFFERENCE



## ALAPTULAJDONSÁGOK

Product group	Hob
Construction type	Beépíthető
Type of control	Mechanical
Type of control setting and signalling devices	-
Number of gas burners	0
Number of electric cooking zones	4
Number of electric plates	0
Number of radiant plates	4
Number of halogen plates	0
Number of induction plates	0
Number of electric warming zones	0
Location of control panel	External control
Basic surface material	Glass
Main colour of product	Black
Electrical connection rating (W)	6200
Gas connection rating (W)	0
Current (A)	27
Voltage (V)	230
Frequency (Hz)	50
Length of Electrical Supply Cord (cm)	-
Plug type	Nem
Gas connection	-
Width of the product	580
Height of the product	47
Depth of the product	510
Minimum niche height	40
Minimum niche width	560
Niche depth	490
Net weight (kg)	8
Automatic programmes	Nem

## MŰSZAKI ADATOK

Power on indicator	Nem
Plate on indicator	0
Type of regulation	Radiant
Type of lid	-
Residual heat indicator	separate
Main on/off switch	Nem
Safety device	-
Timer	Nem

## MŰSZAKI TELJESÍTMÉNY

Energy input	Electric
--------------	----------