

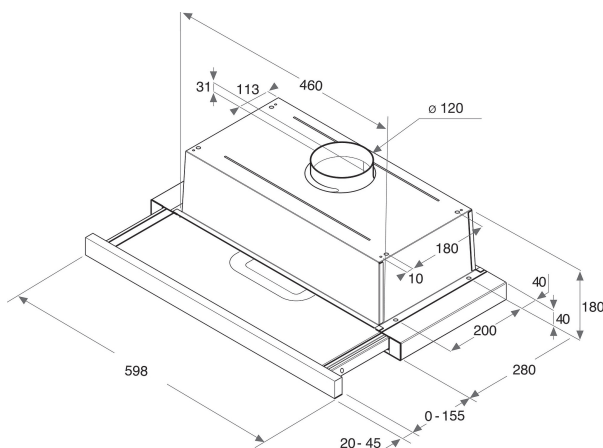
# AKR 749 NB

12NC: 857874901000

GTIN (EAN) code: 8003437216589

Whirlpool

SENSING THE DIFFERENCE



## MAIN FEATURES

Product group	Odsávače
Colour body	Čierna
Material body	Stainless steel
Colour chimney	N/A
Material chimney	N/A
Typology	Pull-out
Installation type	Vstavaná
Type of control	Mechanical
Type of control settings	-
Decor panel options	Possible and included
Motor location	Integrated motor in hood body
Operating Mode	Convertible
Electrical connection rating (W)	206
Current (A)	0,9
Voltage (V)	220-240
Frequency (Hz)	50/60
Length of Electrical Supply Cord (cm)	150
Plug type	Schuko
Chimney height (mm)	0
Height of product, without chimney (mm)	211
Height of the product	180
Width of the product	599
Depth of the product	300
Minimum niche height	0
Minimum niche width	0
Niche depth	0
Net weight (kg)	6

## TECHNICAL FEATURES

Type of manual control devices	Buttons
Type of automatic control devices	-
Number of motors	1
Total power of the motors (W)	150
Number of speed settings: boost option availability	3
Boost presence	Nie
Maximum output air extraction (m <sup>3</sup> /h)	371
Boost position air extraction (m <sup>3</sup> /h)	0
Maximum output recirculating air (m <sup>3</sup> /h)	180
Boost position output recirculating (m <sup>3</sup> /h)	0
Light Control Type	On/Off
Number of lights	2
Type of lamps used	Halogen
Total power of the lamps (W)	56
Diameter of air outlet (mm)	120
No-return airflow flap	Áno
Grease filter material	Washable aluminium
Odour filter	Nie

## ENERGETICKÝ ŠTÍTK

Sound power at min. speed (2010/30/EU)	47
Sound power at max. speed (2010/30/EU)	65
Noise level with boost position (dB(A) re 1 pW)	0