

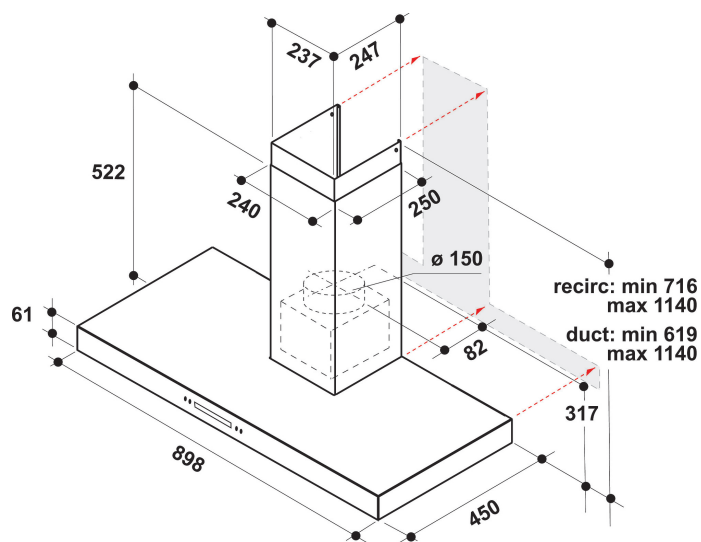
AKR 474 IXL

12NC: 857847401000

GTIN (EAN) code: 8003437218347

Whirlpool

SENSING THE DIFFERENCE



- iXelium finishing
- Maximum noise level 65 dBA
- Noise Level (min. - max.): 58-65 dBA
- Air Flow (min. - max.): 384, 496, booster 757 m³/h
- Maximum extraction rate: 496 (m³/h)
- Energy class A
- Extraction / Recirculation Rate
%Z_REQ_MAX_OUT_EXTRACTION% / 600 m³/h
- Speeds: 3 + Booster
- 2 LED, 5 W lamps
- 1 x 300 W motor
- Electronic LCD touch control
- 3 Washable aluminium filters
- Grease Filtering Efficiency Class: B
- Lighting Efficiency Class: A
- Fluid Dynamic Efficiency Class: A
- Operating Mode: Air extraction, Recirculating air

Whirlpool wall mounted cooker hood - AKR 474 IXL

This Whirlpool wall mounted Cooker Hood features: dishwasher-safe, washable aluminium grease filters. LED lights for ideal lighting. An outstanding cooker extractor fan, ensuring a fresh, grease-free cooking environment. Between 60cm and 90cm wide appliance. High-efficiency M023022 motor.

LED lighting

Increased energy and cost efficiency. The LED lighting system lasts 10 times longer than traditional bulbs and uses 90% less energy.

Electronic control

Effortless control. This Whirlpool Hood includes an intuitive electronic user interface, designed to provide you with the simplest, most satisfying user experience ever.

High efficiency motor

Efficiency first. The motor in this Whirlpool Hood is designed to provide ideal filtration, while ensuring high energy efficiency.

3 Speeds

Versatile performance. This Whirlpool Hood offers 3 speed options, giving you complete control over the extraction rate.

Wall-mounted installation

Wall-mounted installation. This wall-mounted Whirlpool Hood is a breeze to install.

Total annual energy consumption

Ideal performance, outstanding savings. Whirlpool Hoods are designed to provide exceptional results, while reducing energy costs.

iXelium

Long lasting shine. The revolutionary iXelium treatment protects your hood from scratches and ensures a perfect shine, always. And it's easy to clean: all you need is water and a soft cloth.

Flexible Installation

Flexible installation options. This Whirlpool Hood can be operated in either Ducted or Recirculated mode (filter needed), so you can enjoy complete freedom when designing your kitchen.

Booster

Odour-free cooking. This Whirlpool Hood features an extraction booster, that ensures ideal air filtration and odour and grease aspiration.

2 lights

Perfect lighting. This Whirlpool Hood features two integrated lights, providing ideal illumination, so you'll always be able to see what's cooking.

AKR 474 IXL

12NC: 857847401000

GTIN (EAN) code: 8003437218347

Whirlpool

SENSING THE DIFFERENCE

MAIN FEATURES

Product group	Hood
Colour body	Inox
Material body	iXelium
Colour chimney	Inox
Material chimney	Stainless steel
Typology	Manual
Installation type	Wall-mounted
Type of control	Electronic
Type of control settings	-
Decor panel options	N/A
Motor location	Integrated motor in hood chimney
Operating Mode	Convertible
Electrical connection rating (W)	305
Current (A)	1,3
Voltage (V)	220-240
Frequency (Hz)	50
Length of Electrical Supply Cord (cm)	150
Plug type	Schuko
Chimney height (mm)	580
Height of product, without chimney (mm)	60
Height of the product	619
Width of the product	898
Depth of the product	450
Minimum niche height	0
Minimum niche width	0
Niche depth	0
Net weight (kg)	19.3

TECHNICAL FEATURES

Type of manual control devices	LCD touch control
Type of automatic control devices	-
Number of motors	1
Total power of the motors (W)	300
Number of speed settings: boost option availability	3
Boost presence	Yes
Maximum output air extraction (m ³ /h)	700
Boost position air extraction (m ³ /h)	0
Maximum output recirculating air (m ³ /h)	600
Boost position output recirculating (m ³ /h)	0
Light Control Type	On/Off
Number of lights	2
Type of lamps used	LED
Total power of the lamps (W)	5
Diameter of air outlet (mm)	150
No-return airflow flap	Yes
Grease filter material	Washable aluminium
Odour filter	No

PERFORMANCES

Sound power at min. speed (2010/30/EU)	58
Sound power at max. speed (2010/30/EU)	65
Noise level with boost position (dB(A) re 1 pW)	0

