

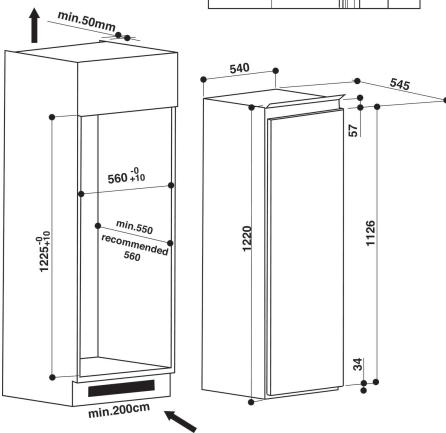
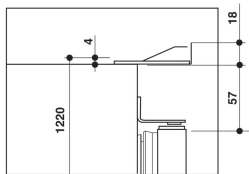
ARG 861/A+

12NC: 853415796000

EAN code: 8003437040214



SENSING THE DIFFERENCE



MAIN FEATURES

Product group	Chladnicka
Commercial code	ARG 861/A+
EAN code	8003437040214
Construction type	Vstavaná
Installation type	Vstavaná s panelom
Type of control	Electronic
Type of control setting and signalling devices	LED
Main colour of product	Nerez
Connection rating (W)	80
Current (A)	16
Voltage (V)	220-240
Frequency (Hz)	50
Length of Electrical Supply Cord (cm)	245
Plug type	Schuko
Total unit net capacity (l)	191
Star Rating	4
Number of independent cooling systems	1
Height of the product	1220
Width of the product	540
Depth of the product	545
Depth with open door 90 degree (mm)	-
Maximum adjustability feet	0
Net weight (kg)	38
Door hinge	Right reversible

TECHNICAL FEATURES

Temperature adjustable	Áno
Warning signal / Malfunction	Visual
Defrost process fridge section	Automatic
Fast cooling switch	Nie
Interior ventilator fridge section	Nie
Shelves for Bottles	Nie
Lockable door	Nie
Number of shelves in fridge compartment	4
Number of Adjustable Shelves in fridge compartment	3
Material of the shelves	Glass With Profile
Thermometer fridge section	None

ENERGETICKÝ ŠTÍTK

Energy efficiency class - NEW (2010/30/EC)	A+
Energy consumption annual (kWh/annum) - NEW (2010/30/EC)	218
Refrigerator Net capacity (l) - NEW (2010/30/EC)	173
Freezer Net capacity (l) - NEW (2010/30/EC)	18
Freezing capacity (kg/24h) - NEW (2010/30/EC)	2
Temperature rise time (h)	12
Climate class	SN-ST
Noise level (dB(A) re 1 pW)	36
Frost free system	Nie
Maximum ambient temperature	38
Minimum ambient temperature	10
Other Compartment	-