

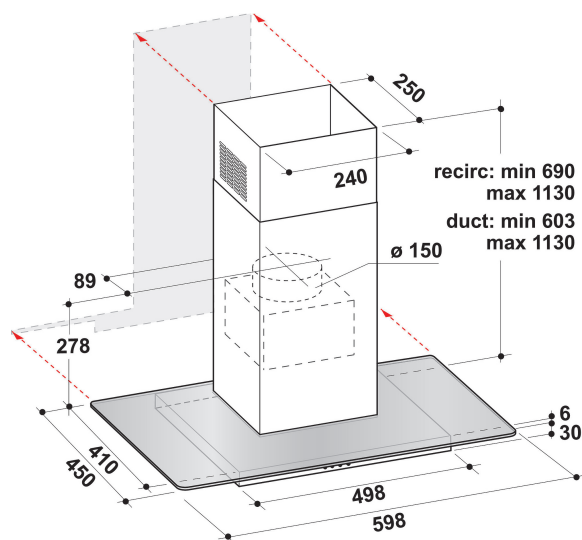
# WHFG 64 F LM X

12NC: 859991550010

GTIN (EAN) code: 8003437233500

Whirlpool

SENSING THE DIFFERENCE



- Maximum noise level 71 dBA
- Air Flow (min. - max.): 314, 630 m<sup>3</sup>/h
- Maximum extraction rate: 630 (m<sup>3</sup>/h)
- Energy class B
- 3 speed settings
- Odour Filter
- 2 LED, 5 W lamps
- 1 x 250 W motor
- Mechanical Buttons
- 1 Washable aluminium filter
- Inox and Glass Hood
- Grease Filtering Efficiency Class: C
- Lighting Efficiency Class: A
- Fluid Dynamic Efficiency Class: B
- Operating Mode: Air extraction, Recirculating air
- Inox Finishing
- 1 Motor

## Whirlpool wall mounted cooker hood - WHFG 64 F LM X

This Whirlpool wall mounted Cooker Hood features: dishwasher-safe, washable aluminium grease filters. LED lights for ideal lighting. An outstanding cooker extractor fan, ensuring a fresh, grease-free cooking environment. Less than 60cm wide appliance. New design ensuring extra silent performance.



### LED lighting

Increased energy and cost efficiency. The LED lighting system lasts 10 times longer than traditional bulbs and uses 90% less energy.



### Carbon Filter Included

Enjoy fresh air in your kitchen, always. This Whirlpool Hood includes a carbon purifying air filter, that effectively protects your kitchen from odours and grease.



### Flexible Installation

Flexible installation options. This Whirlpool Hood can be operated in either Ducted or Recirculated mode (filter needed), so you can enjoy complete freedom when designing your kitchen.



### 3 Speeds

Versatile performance. This Whirlpool Hood offers 3 speed options, giving you complete control over the extraction rate.



### Wall-mounted installation

Wall-mounted installation. This wall-mounted Whirlpool Hood is a breeze to install.



### Total annual energy consumption

Ideal performance, outstanding savings. Whirlpool Hoods are designed to provide exceptional results, while reducing energy costs.



### Mechanical control

Effortless control. This Whirlpool Hood includes an analogue control interface designed for simplicity and ease-of-use.



### TIMER

Perfect timing. This Whirlpool Hood includes an intuitive timer, for added convenience.



### Glass design

Designed to delight. Modern, sleek and beautiful, this glass hood is designed to be an eye-catching addition to your home.



### Energy class B

Energy efficient. This is an Energy Class B appliance.

# WHFG 64 F LM X

12NC: 859991550010

GTIN (EAN) code: 8003437233500

Whirlpool

SENSING THE DIFFERENCE

## MAIN FEATURES

Product group	Hood
Colour body	Inox
Material body	Stainless steel / glass
Colour chimney	Inox
Material chimney	N/A
Typology	Wall-mounted
Installation type	Wall-mounted
Type of control	Mechanical
Type of control settings	-
Decor panel options	N/A
Motor location	Integrated motor in hood chimney
Operating Mode	Convertible
Electrical connection rating (W)	255
Current (A)	1,2
Voltage (V)	220-240
Frequency (Hz)	50/60
Length of Electrical Supply Cord (cm)	150
Plug type	Schuko
Chimney height (mm)	-
Height of product, without chimney (mm)	0
Height of the product	603
Width of the product	598
Depth of the product	410
Minimum niche height	0
Minimum niche width	0
Niche depth	0
Net weight (kg)	15

## TECHNICAL FEATURES

Type of manual control devices	Buttons
Type of automatic control devices	-
Number of motors	1
Total power of the motors (W)	250
Number of speed settings: boost option availability	3
Boost presence	No
Maximum output air extraction (m <sup>3</sup> /h)	630
Boost position air extraction (m <sup>3</sup> /h)	0
Maximum output recirculating air (m <sup>3</sup> /h)	0
Boost position output recirculating (m <sup>3</sup> /h)	0
Light Control Type	On/Off
Number of lights	2
Type of lamps used	LED
Total power of the lamps (W)	5
Diameter of air outlet (mm)	150
No-return airflow flap	No
Grease filter material	Washable aluminium
Odour filter	Yes

## PERFORMANCES

Sound power at min. speed (2010/30/EU)	52
Sound power at max. speed (2010/30/EU)	71
Noise level with boost position (dB(A) re 1 pW)	0

