



THANK YOU FOR BUYING A WHIRLPOOL PRODUCT.
In order to receive a more complete assistance, please register your appliance on: www.whirlpool.eu/register

Before using the appliance carefully read Safety and Installation Instructions. More information about your product available on website: docs.whirlpool.eu/docs

After installation, please remember to remove all transport protection parts from the dishwasher.

CONTROL PANEL

1. **ON-OFF/Reset** button with indicator light
2. **PREVIOUS program** button
3. **NEXT program** button
4. **FAVOURITE program** button with indicator light
5. **Salt** reservoir empty indicator light
6. **Rinse Aid** reservoir empty indicator light
7. **DESCALE** indicator light
8. **Closed Water Tap** indicator light
9. **Display**
10. **Program number** and **remaining time** indicator



11. **Power Clean® option** button with indicator light
12. **Half Load option** button with indicator light/ **Settings** - 3 sec. press
13. **Extra Dry option** button with indicator light
14. **Delay option** button with indicator light
15. **START/Pause** button with indicator light

FIRST TIME USE

SETTING MENU

1. Switch on the appliance by pressing the **ON-OFF** button.
2. Hold the **Settings** (Half Load) button for 3 seconds, until you hear a beep and the display shows, **SET**.
3. After one second the first available setting (letter „h“) will be displayed.
4. Press **PREVIOUS**/**NEXT** to scroll through the list of available settings (see table below), then press **START/Pause** to view and change the value of the currently selected setting.
5. Press **PREVIOUS**/**NEXT** to change the value, then press **START/Pause** to save the new value and return to the main menu.
6. To change another setting, repeat points 4 and 5.
7. Press **ON-OFF** or wait 30 seconds to exit the menu.

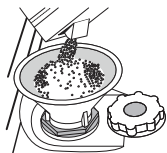
LETTER	SETTING	VALUES (Default - in bold)
h	Water Hardness Level (see "SETTING THE WATER HARDNESS" and "WATER HARDNESS TABLE")	1 2 3 4 5
r	Rinse Aid Level (see "ADJUSTING THE DOSAGE OF RINSE AID")	0 1 2 3 4 5
n	NaturalDry (see "OPTIONS AND FUNCTIONS") "1" = On, "0" = Off	1 0
f	Light on the floor (see "OPTIONS AND FUNCTIONS") "1" = On, "0" = Off	1 0
s	Sound "1" = On, "0" = Off	1 0
-	Factory Settings Press START/Pause to restore to the factory default all the values of the settings included in the settings menu.	-

FILLING THE SALT RESERVOIR

The use of salt prevents the formation of LIMESCALE on the dishes and on the machine's functional components.

The salt reservoir is located in the lower part of the dishwasher (under the lower rack on the left side).

- It is mandatory that **the salt reservoir never be empty**.
- It is important to set the water hardness.
- Salt must be filled when the **SALT REFILL** indicator light on the control panel is lit.



1. Remove the lower rack and unscrew the reservoir cap (anticlockwise).
2. Position the funnel (see figure) and fill the salt reservoir right up to its edge (approximately 0,5 kg); it is not unusual for a little water to leak out.
3. **Only the first time you do this: fill the salt reservoir with water.**

4. Remove the funnel and wipe any salt residue away from the opening. Make sure the cap is screwed on tightly so that no detergent can get into the container during the wash program (this could damage the water softener beyond repair).

Run a program every time as soon as you completed refilling the salt reservoir to avoid corrosion.

Setting the water hardness

To allow the water softener to work in a perfect way, it is essential that the water hardness setting is based on the actual water hardness in your house. This information can be obtained from your local water supplier. The factory setting is "3". See „WATER HARDNESS TABLE“.

To change, follow instructions in section "SETTING MENU".

Level	°dH German degrees	°fH French degrees	°Clark English degrees
1 (soft)	0 - 6	0 - 10	0 - 7
2 (medium)	7 - 11	11 - 20	8 - 14
3 (average)	12 - 16	21 - 29	15 - 20
4 (hard)	17 - 34	30 - 60	21 - 42
5 (very hard)	35 - 50	61 - 90	43 - 62

Only use salt that has been specifically designed for dishwashers.

After the salt has been poured into the machine, the **SALT REFILL** indicator light switches off.

If the salt container is not filled, the water softener and the heating element may be damaged as a result of limescale accumulation.

Use of salt is recommended with any type of dishwasher detergent.

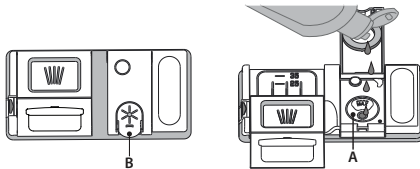
WATER SOFTENING SYSTEM

Water softener automatically reduces water hardness, consequently preventing scale buildup on the heater, contributing also to better cleaning efficiency. **This system regenerates itself with salt, therefore it is required to refill the salt container when empty.** The frequency of regeneration depends on the water hardness level setting - regeneration takes place once per 4-6 Eco cycles with the water hardness level set to 3. The regeneration process occurs at the beginning of the cycle with additional fresh water.

- Single regeneration consumes: ~3L of water;
- Takes up to 5 additional minutes for the cycle;
- Consumes below 0.005kWh of energy.

FILLING THE RINSE AID DISPENSER

Rinse aid makes dish DRYING easier. The rinse aid dispenser **A** should be filled when the **RINSE AID REFILL** indicator light in the control panel is lit.



1. Open the dispenser **B** by pressing and pulling up the tab on the lid.

2. Pour in the rinse aid (max.110 ml), making sure it does not overflow from the dispenser. If this happens, clean the spill immediately with a dry cloth.

3. Press the lid down until you hear a click to close it.

NEVER pour the rinse aid directly into the appliance tub.

Adjusting the dosage of rinse aid

If you are not completely satisfied with the drying results, you can adjust the quantity of rinse aid used.

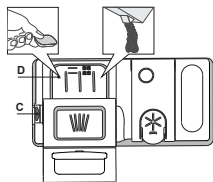
To change, follow the instructions in the section "SETTING MENU".

If the rinse aid level is set to ZERO, no rinse aid will be supplied. The **LOW RINSE AID indicator light** will not be lit if you run out of rinse aid.

A maximum of 6 levels can be set according to the dishwasher model.

- If you see bluish streaks on the dishes, set a low number (0-3).
- If there are drops of water or limescale marks on the dishes, set a mid-range number (4-5).

FILLING THE DETERGENT DISPENSER



To open the detergent dispenser use the opening device C. Introduce the detergent into the dry dispenser D only. Place the amount of detergent for pre-washing directly inside the tub.

1. When measuring out the detergent refer to the mentioned earlier information to add the proper quantity. Inside the dispenser D, there are indications to help the detergent dosing.

2. Remove detergent residues from the edges of the dispenser and close the cover until it clicks.
3. Close the lid of the detergent dispenser by pulling it up until the closing device is secured in place.

The detergent dispenser automatically opens up at the right time according to the program.

Usage of detergent not designed for dishwashers may cause malfunction or damage to the appliance.

DAILY USE

1. CHECK WATER CONNECTION

Check that the dishwasher is connected to the water supply and that the tap is open.

2. SWITCH ON THE DISHWASHER

Open the door and press the **ON/OFF** button.

3. LOAD THE RACKS (see *LOADING THE RACKS*).

4. FILL THE DETERGENT DISPENSER

5. CHOOSE THE PROGRAM AND CUSTOMISE THE CYCLE

Select the most appropriate program in accordance with the type of crockery and its soiling level (see *PROGRAMS DESCRIPTION*) by pressing the **PREVIOUS/NEXT** buttons.

Select the desired options (see *OPTIONS AND FUNCTIONS*). Not all options are compatible with all programs.

6. START

Start the wash cycle by pressing **START/Pause** button (led is lit) and closing the door within 4 sec. When the program starts you hear a single beep. If the door was not closed within 4sec., the alarm sound will be played. In this case, open the door, press **START/Pause** button and close the door again within 4 sec.

7. END OF WASH CYCLE

The end of the wash cycle is indicated by sound and the display shows **END**. Open the door and switch off the appliance by pressing the **ON/OFF** button.

Wait for a few minutes before removing the crockery - to avoid burns. Unload the racks, beginning with the lower one.

MODIFYING A RUNNING PROGRAM

If a wrong program was selected, it is possible to change it, provided that it has only just begun. **RESET** the machine: press and hold the **ON/OFF** button for more than 3. sec., and the machine will switch off. **The dashboard will show "0:01"**. Close the door and wait until drain cycle ends (around 1 minute). Open the door and switch the machine back on using the **ON/OFF** button and select the new wash cycle and any desired options. Start the cycle by pressing the **START/Pause** button and closing the door within 4 sec.

ADDING EXTRA CROCKERY

Without switching off the machine, open the door first slightly to avoid water splashing out (**START/Pause** led starts blinking) (**Caution! Hot steam!**) and place the crockery inside the dishwasher. Press the **START/Pause** button and close the door within 4 sec., the cycle will resume from the point at which it was interrupted.

ACCIDENTAL INTERRUPTIONS

If the door is opened during the wash cycle, or if there is a power cut, the cycle stops. **ONLY IF YOU PRESS** the **START/Pause** button and close the door within 4 sec., the cycle will resume from the point at which it was interrupted.

ADVICE AND TIPS

TIPS

Before loading the baskets, remove all food residues from the crockery and empty the glasses. **You do not need to rinse beforehand under running water.**

Arrange the crockery so that it is held in place firmly and does not tip over; and arrange the containers with the openings facing downwards and the concave/convex parts placed obliquely, thus allowing the water to reach every surface and flow freely.

Warning: lids, handles, trays and frying pans should not prevent the spray arms from rotating.

Place any small items in the cutlery basket.

Very soiled dishes and pans should be placed in the lower basket because in this sector the water sprays are stronger and allow a higher washing performance.

After loading the appliance, make sure that the sprayer arms can rotate freely.

UNSUITABLE CROCKERY

- Wooden crockery and cutlery.
- Delicately decorated glasses, artistic handicrafts and antique crockery. Their decorations are not resistant.
- Parts in synthetic material which do not withstand high temperatures.
- Copper and tin crockery.
- Crockery soiled with ash, wax, lubricating grease or ink.

The colours of glass decorations and aluminium/silver pieces can change and fade during the washing process. Some types of glass (e.g. crystal objects) can become opaque after a number of wash cycles too.

DAMAGE TO GLASS AND CROCKERY

- Only use glasses and porcelain guaranteed by the manufacturer as dishwasher safe.
- Use a delicate detergent suitable for crockery
- Collect glasses and cutlery from the dishwasher as soon as the wash cycle is over.

TIPS ON ENERGY SAVING

- When the household dishwasher is used according to the manufacturer's instructions, **washing tableware in a dishwasher usually consumes less energy and water than hand dishwashing.**
- In order to maximize dishwasher efficiency, it is recommended to **initiate the wash cycle once the dishwasher is fully loaded.** Loading the household dishwasher up to the capacity indicated by the manufacturer will contribute to energy and water savings. Information on the correct loading of tableware can be found in the Loading chapter. In case of partial loading, it is recommended to use a dedicated wash options if available (Half load/ Zone Wash/ Multizone), filling up only selected racks. Incorrect loading or overloading of the dishwasher may increase resources usage (such as water, energy and time, as well as increase noise level), reducing cleaning and drying performance.
- Manual pre-rinsing of tableware items leads to increased water and energy consumption and is not recommended.

HYGIENE

To avoid odour and sediment which can be accumulated in the dishwasher **please run a high-temperature program at least once a month.** Use a teaspoon of detergent and run it without loading to clean your appliance.

RESISTANCE TO FROST

If the appliance is placed in surroundings exposed to the risk of frost, it **must be drained completely.** Turn off the water tap, remove the inlet and outlet hoses, and let all the water drain away. **Make sure that the water softener is full of dissolved regeneration salt in the salt container,** to protect the appliance from temperatures of up to -20°C.

If the appliance was stored in frost conditions the appliance must remain at an ambient temperature of min. 5°C for **at least 24 hours** before the first run.

PROGRAMS TABLE

Program	Programs description	Drying phase	NaturalDry	Available options *)	Duration of wash program (h:min)**)	Water consumption (litres/cycle)	Energy consumption (kWh/cycle)
P1 Eco	Eco 50° - Program is suitable to clean normally soiled tableware, that for this use, it is the most efficient program in terms of its combined energy and water consumption, and that it is used to assess compliance with the EU Ecodesign legislation.	✓	✓		4:00	9.5	0.64
P2	Auto Intensive 65° - Automatic program for heavily soiled dishes and pans.	✓	✓		2:25-3:10	15.5-24.5	1.30-1.70
P3	Auto Mixed 55° - Automatic program for normally soiled dishes with dried food residues.	✓	✓		1:20-3:00	7.5-19.5	0.75-1.20
P4	Auto Fast 50° - Automatic program for normally and lightly soiled dishes. The everyday cycle that ensures optimal cleaning and drying performance in a shorter time.	✓	✓		1:00-1:50	7.5-15.5	0.70-1.10
P5	Rapid 45° - Program is recommended for limited amount of lightly-soiled dishes with no dried food residues. Does not include the drying phase.	-	✓		0:30-0:40	10-12	0.55-0.65
P6	Crystals 45° - Program for delicate items, which are more sensitive to high temperatures, for example, glasses and cups.	✓	✓		1:40-1:50	12.5-16.5	0.95-1.20
P7	Silent 55° - Suitable for night-time operation of the appliance. Ensures optimal cleaning and drying performance with the lowest noise emission.	✓	✓		3:50-4:10	10.5-14.5	0.80-1.15
P8	Sanitizing 65° - Normally or heavily soiled crockery, with additional antibacterial wash. Can be used to perform maintenance of the dishwasher.	✓	-		1:55-2:10	12-19	1.40-1.80
P9	Prewash - Used to refresh crockery planned to be washed later. No detergent is to be used with this program.	-	✓		0:12	4.5	0.10
P10	Self Clean 65° - Program to be used to perform maintenance of the dishwasher, to be carried out only when the dishwasher is EMPTY using specific detergents designed for dishwasher maintenance.	-	-		1:15	11.0	1.10

ECO program data is measured under laboratory conditions according to European Standard EN 60436:2020.

Note for Test Laboratories: For information on comparative EN testing conditions, please send an email to the following address: dw_test_support@whirlpool.com

Pre-treatment of the dishes is not needed before any of the programs.

*) Not all options can be used simultaneously.

**) Values given for programs other than the program Eco are indicative only. The actual time may vary depending on many factors such as temperature and pressure of the incoming water, room temperature, amount of detergent, quantity and type of load, load balancing, additional selected options and sensor calibration. The sensor calibration can increase program duration by up to 20 min.

OPTIONS AND FUNCTIONS

OPTIONS can be selected/ deselected, after choosing the program, directly by pressing the corresponding button (if available - the indicator lights up) (see CONTROL PANEL). If an option is not compatible with the selected program (see PROGRAMS TABLE), the corresponding LED flashes rapidly 3 times and beeps will sound. The option will not be enabled. An option can change time or water or energy consumption for the program.

POWER CLEAN® - Thanks to the additional power jets this option provides a more intensive and powerful wash in the lower rack, in the specific area. This option is recommended for washing pots and casseroles (please refer to the Power Clean® in loading section).

HALF LOAD - If there are not many dishes to be washed, HALF LOAD is used to save water, electricity or time, depending on the selected program. **Remember to reduce the amount of detergent.**

EXTRA DRY - The higher temperature during the final rinse and the extended drying phase which allows for improved drying. The EXTRA DRY option results in the lengthening of the wash cycle.

DELAY - The start of the program may be delayed for a period of time between **0:30** and **24** hours.

1. Select the program and any desired options. Press the DELAY button (repeatedly) to delay the start of the program. Adjustable from 0:30 to 24 hours. Once the 24 hours setting is reached, press the DELAY another time to deactivate the DELAY function.
2. Press the START/Pause button and close the door within 4 sec. the timer will begin counting down.
3. Once this time has elapsed, the indicator light switches off and the program begins automatically.

The DELAY function cannot be set once a program has been started.

SENSING - When the sensor is detecting the soil level an animation appears in the display (around 20 min.) and the cycle duration is updated. SENSING is for the level of soiling on the dishes and it is present for all cycles (excepting Eco) adjusting the program accordingly.

WATER TAP CLOSED - Alarm - Flashes when there is no inlet water or water tap is closed.

LIGHT ON THE FLOOR - A LED light projected on the floor indicates that the dishwasher is working. The light goes off at the end of a cycle. This feature is active by default, but it is possible to deactivate it in the "SETTINGS MENU".

NaturalDry - It is a convection drying system which automatically opens the door during/after the drying phase to ensure exceptional drying performance every day. The door opens at a temperature that is safe to your kitchen furniture.

As additional steam protection, specially designed protection foil is added together with the dishwasher.

To see how to mount protection foil please refer to INSTALLATION GUIDE. This feature is active by default, but it is possible to deactivate it in the "SETTINGS MENU".

DESCALE - Alarm - Limescale accumulation was detected on the internal components of the appliance. Check if the **Water Hardness Setting** is at the correct value and **salt** is present in the salt container (see **FIRST TIME USE**), then **use a descaling product** (WPro brand is recommended) with the **Self-Clean program**. After a successful descaling, the icon will stop being displayed.

If the actions above are not performed, product performance will deteriorate. DESCAL warning will start blinking and «**DES**» alarm will appear on the display. If still no action is taken, the appliance will only allow a certain number of cycles to be started (indicated during «**DES**» alarm display) and then will be **BLOCKED** to prevent component damage, **with only the Self-Clean program available**. Performing a full descaling will unblock the product. In the case of extremely high amounts of limescale, descaling may have to be performed twice to be efficient.

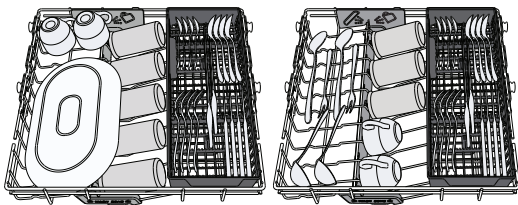
FAVOURITE PROGRAM - The FAVOURITE program may be saved and will be easily accessible. Find the program using PREVIOUS/NEXT, and then press the FAVOURITE program button for 3 seconds.

LOADING THE RACKS

CAPACITY: 14 standard place-settings

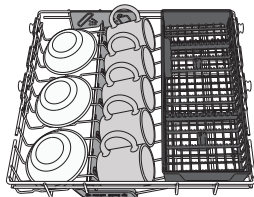
TOP RACK

The top rack provides a targeted cleaning Wash Zone for bowls, mugs, even big plates and cutlery that you'd normally load in the lower racks, making extra space for the rest of the day's dishes.



A separate arrangement of the cutlery makes collection easier after washing and improves washing and drying performance.

Knives and other utensils with sharp edges must be positioned with the blades facing downwards.

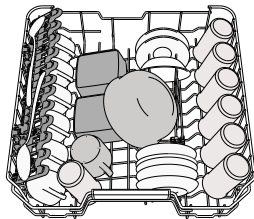


UPPER RACK

Load delicate and light dishes: glasses, cups, saucers, low salad bowls.

The upper rack has tip-up supports which can be used in a vertical position when arranging tea/ dessert saucers or in a lower position to load bowls and food containers.

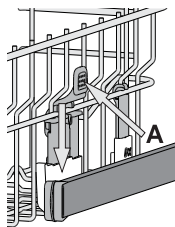
(loading example for the upper rack)



Adjusting the height of the upper rack

The height of the upper rack can be adjusted: a high position to place bulky crockery in the lower basket and a low position to make the most of the tip-up supports by creating more space upwards and avoiding collision with the items loaded into the lower rack.

The upper rack is equipped with an **Upper Rack height adjuster** (see figure), without pressing the levers, lift it up by simply holding the rack sides, as soon as the rack is stable in its upper position. To restore to the lower position, press the levers **A** at the sides of the rack and move the basket downwards.



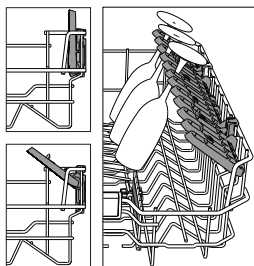
We strongly recommend that you do not adjust the height of the rack when it is loaded. NEVER raise or lower the basket on one side only.

Foldable flaps with adjustable position

The side foldable flaps can be folded or unfolded to optimize the arrangement of crockery inside the rack. Wine glasses can be placed safely in the foldable flaps by inserting the stem of each glass into the corresponding slots.

Depending on the model:

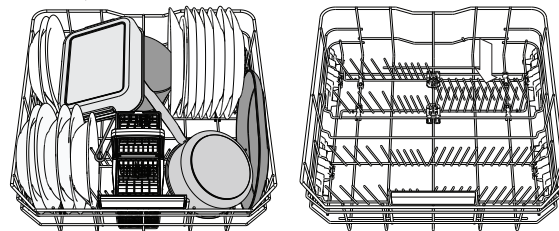
- to unfold the flap there is needed to slide it up and rotate or release it from the snaps and pull it down.
- to fold the flap there is needed to rotate it and slide the flap down or pull it up and attach the flap to the snaps.



LOWER RACK

For pots, lids, plates, salad bowls, cutlery etc. Large plates and lids should ideally be placed at the sides to avoid interferences with the spray arm.

The lower rack has tip-up supports which can be used in a vertical position when arranging plates or in a horizontal position (lower) to load pans and salad bowls easily.



(loading example for the lower rack)

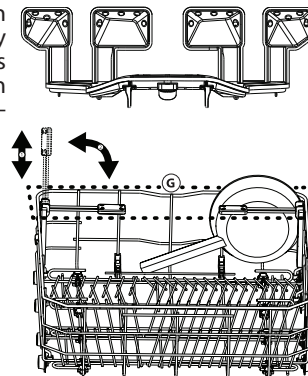
POWER CLEAN®

Power Clean® uses the special water jets in the rear of cavity to wash more intensively the powerful dirty items. The lower rack has a Space Zone, a special pull-out support in the rear of the rack that can be used to support frying pans or baking pans in upright position, thus taking up less space.

Placing the pots/casseroles faced to the Power Clean® component please activate the **POWER CLEAN®** on the panel.

How to use Power Clean®:

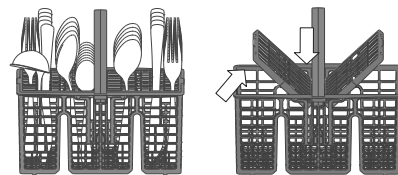
1. Adjust the Power Clean® area **G** folding down the rear plate holders to load pots.
2. Load pots and casseroles inclined vertically in Power Clean® area. Pots have to be inclined towards the powerful water jets.



Cutlery basket

It is fitted with top grids for improved cutlery arrangement. It must only be positioned at the front of the lower rack.

Knives and other utensils with sharp edges must be placed in the cutlery basket with the points facing downwards or they must be positioned horizontally in the tip-up compartments on the upper rack.



CARE AND MAINTENANCE

CLEANING THE FILTER ASSEMBLY

Regularly clean the filter assembly so that the filters do not clog and that the waste water flows away correctly.

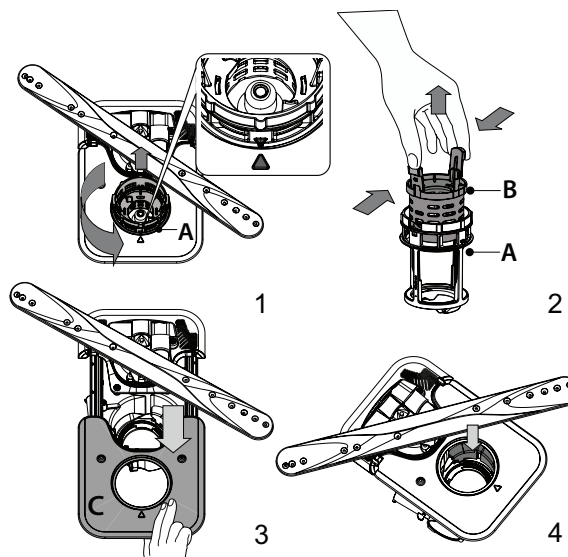
Using the dishwasher with clogged filters or foreign objects inside the filtration system or spray arms may cause unit malfunction resulting in loss of performance, noisy work or higher resources usage.

The filter assembly consists of three filters which remove food residues from the washing water and then recirculate the water.

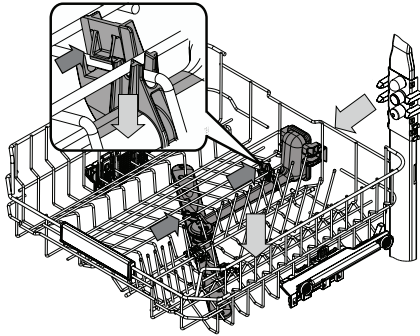
The dishwasher must not be used without filters or if the filter is loose. At least once per month or after every 30 cycles, check the filter assembly and if necessary clean it thoroughly under running water, using a non-metallic brush and following the instructions below:

1. Turn the cylindrical filter **A** in an anti-clockwise direction and pull it out (Fig 1). **It is important when reinstalling the filter that the two triangles shown on the zoom meet.**
2. Remove the cup filter **B** by exerting a slight pressure on the side flaps (Fig 2).
3. Slide out the stainless-steel plate filter **C** (Fig 3).
4. In case you find foreign objects (such as broken glass, porcelain, bones, fruit seeds etc.) **please remove them carefully.**
5. Inspect the trap and remove any food residues. **NEVER REMOVE** the wash-cycle pump protection (shown by an arrow) (Fig 4).

After cleaning the filters, replace the filter assembly and fix it in position correctly; this is essential for maintaining the efficient operation of the dishwasher.

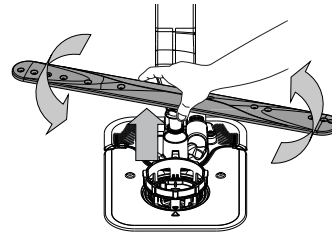


CLEANING THE SPRAY ARMS

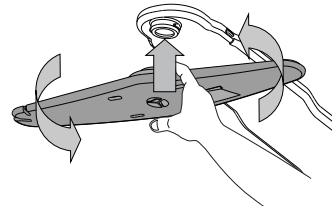


On occasions, food residue may become encrusted onto the spray arms and block the holes used to spray the water. It is therefore recommended that you check the arms from time to time and clean them with a small non-metallic brush.

To remove the upper spray you must remove it together with the manifold.



The lower spray arm may be removed by pulling it upwards and rotating it anti-clockwise. Mounting back the spray arm is by pulling it down and rotating it clockwise.



The top spray arm may be removed by pressing it up and then rotating it anti-clockwise. Mounting back the spray arm is by pulling it upwards and rotating it clockwise.

The top rack has a fixed wash tube with all the wash nozzles facing upward. To clean it you can slide the rack out and with a tweezer remove items that may be lodged in the nozzles.

TROUBLESHOOTING

In case your dishwasher doesn't work properly, check if the problem can be solved by going through the following list. For other errors or issues please contact authorized After-sales Service whose contact details can be found in the warranty booklet. Spare parts will be available for a period of either up to 7 or up to 10 years, according to the specific Regulation requirements.

PROBLEMS	POSSIBLE CAUSES	SOLUTIONS
The salt indicator is lit	Salt reservoir is almost empty.	Refill the reservoir with salt (for more information - see <i>FILLING THE SALT RESERVOIR</i>). Check the water hardness setting if necessary (see <i>WATER HARDNESS TABLE</i>).
The salt indicator is blinking	Salt reservoir is empty.	Refill the reservoir with salt as soon as possible. Using the appliance without salt may cause damage to its internal components.
The rinse aid indicator is lit or blinking	Rinse aid dispenser is empty. (After refill the rinse aid indicator may remain lit for a short time).	Refill the dispenser with rinse aid (for more information - see <i>FILLING THE RINSE AID DISPENSER</i>).
Descale indicator is lit or blinking; "des" alarm is displayed.	Limescale is accumulating on internal components of the appliance.	Descale the appliance immediately using the Self Clean program and a commercially available descaling product (see <i>OPTIONS AND FUNCTIONS</i>). Refill the reservoir with salt. Check the water hardness setting. If the appliance is not descaled, it will stop functioning.
The dishwasher won't start or does not respond to commands.	The appliance has not been plugged in properly.	Insert the plug into the socket.
	Power outage.	For safety reasons, the dishwasher will not restart automatically when power returns. Open dishwasher door, press START/Pause button and close the door within 4 seconds.
	The dishwasher door is not closed. NaturalDry pin is not pulled in.	Vigorously push the door until you hear the "click".
	A cycle is interrupted by door opening for more than 4 seconds.	Press START/Pause and close the door within 4 seconds.
The dishwasher won't drain. Display shows: F7 E3 or F9 E1	The control panel does not respond or F6 E1 is displayed.	Switch off the appliance by pressing the ON-OFF/Reset button, switch it back on after approximately one minute and restart the program. If the problem persists, unplug the appliance for 1 minute, then plug it back in.
	The filter is clogged with food residues or limescale	Clean the filter and descale the appliance (see <i>CLEANING THE FILTER ASSEMBLY and DESCALE INSTRUCTION</i>).
The dishwasher makes excessive noise.	The drain hose is kinked.	Check the drain hose (see <i>INSTALLATION INSTRUCTION</i>).
	The sink drain pipe is blocked.	Clean the sink drain pipe.
	Dishes are rattling against each other.	Position the crockery correctly (see <i>LOADING THE RACKS</i>).
The dishes are not clean.	An excessive amount of foam is present.	The detergent has not been measured out correctly or it is not suitable for use in dishwashers (see <i>FILLING THE DETERGENT DISPENSER</i>). Restart the current cycle by switching OFF the dishwasher, then switch it on again, select a new program, press START/Pause and close the door within 4 seconds. Please do not add any detergent.
	Crockery has not been arranged properly.	Arrange the crockery correctly (see <i>LOADING THE RACKS</i>).
	The filter is clogged with food residues or limescale.	Clean the filter assembly (see <i>CARE AND MAINTENANCE</i>).
	Crockery has not been arranged properly.	Arrange the crockery correctly (see <i>LOADING THE RACKS</i>).
The dishwasher does not fill the water. The display shows: H2O and is lit; acoustic alarm sounds.	Spray arms cannot rotate freely, being hindered by the dishes.	Arrange the crockery correctly (see <i>LOADING THE RACKS</i>). Check that the upper rack is in the correct position and adjust (lift up) if necessary.
	The wash cycle is too gentle.	Select an appropriate wash cycle (see <i>PROGRAMS TABLE</i>).
	An excessive amount of foam is present.	The detergent has not been measured out correctly or it is not suitable for use in dishwashers (see <i>FILLING THE DETERGENT DISPENSER</i>).
	The cap on the rinse aid compartment has not been closed correctly.	Make sure the cap of the rinse aid dispenser is closed.
	The filter is clogged with food residues or limescale.	Clean the filter and descale the appliance (see <i>CLEANING THE FILTER ASSEMBLY</i>).
The dishwasher does not fill the water. The display shows: H2O and is lit; acoustic alarm sounds.	The salt reservoir is empty.	Fill the salt reservoir (see <i>FILLING THE SALT RESERVOIR</i>).
	No water in the water supply or the tap is closed.	Make sure there is water in the water supply and the water tap is open.
	The water inlet hose is kinked.	Check the inlet hose (see <i>INSTALLATION</i>). Open dishwasher door, press START/Pause button and close the door within 4 seconds.
The dishwasher does not fill the water. The display shows: H2O and is lit; acoustic alarm sounds.	The screen in the water inlet hose is clogged; it is necessary to clean it.	Check and clean the screen in the water inlet hose. Open dishwasher door, press START/Pause button and close the door within 4 seconds.

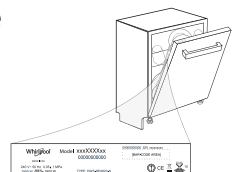
PROBLEMS	POSSIBLE CAUSES	SOLUTIONS
The dishwasher finishes the cycle prematurely. The display shows: F8 E3	The filter is clogged with food residues or limescale.	Clean the filter and descale the appliance (see <i>CLEANING THE FILTER ASSEMBLY and DESCALE INSTRUCTION</i>).
	Drain hose positioned too low or siphoning into the home sewage system.	Check if the end of the drain hose is placed at the correct height (see <i>INSTALLATION</i>). Check for siphoning into the home sewage system, and install a siphon breaker/air admittance valve if necessary.
	An excessive amount of foam is present.	The detergent has not been measured out correctly or it is not suitable for use in dishwashers (see <i>FILLING THE DETERGENT DISPENSER</i>).
	Air in the water supply.	Check water supply for leaks or other issues letting air inside.
The dishes are not dried well.	Rinse aid is not present or the dosage is too low.	Make sure the rinse aid dispenser is filled (see <i>FILLING THE RINSE AID DISPENSER</i>). Multifunctional tablets only will not provide as good drying effects as the actual use of liquid rinse aid.
	The dishes have been unloaded after the door was opened automatically but before the actual cycle end.	Make sure the cycle has ended before starting to unload the dishes (see <i>DAILY USE</i>). For even better drying results, it is recommended to let the dishes sit inside the dishwasher with the door open for additional 15 minutes after the cycle ends.
	The dishes are sitting too flat.	If you notice puddles of water inside cavities of cups, mugs or bowls, try loading the dishes (especially in the upper rack) providing more inclination to let larger amounts of water drip down before drying starts.
	The selected cycle does not have the drying phase.	Please check in the <i>PROGRAMS TABLE</i> if the selected program is equipped in the drying phase. A cycle without the drying phase may not deliver desired drying efficiency, so it is recommended to change cycle selection for the one that has the drying phase.
Dishes and glasses have blue streaks or bluish tinges.	The dishes are made of non-stick or plastic.	Some water drops remaining on this type of material are normal.
	Rinse aid dosage is excessive.	Adjust the dosage to a lower setting.
Dishes and glasses are covered with limescale or a whitish film.	The salt reservoir is empty.	Refill the reservoir with salt as soon as possible. Using the appliance without salt may cause damage to its internal components.
	The water hardness setting is too low.	Increase the setting (see <i>WATER HARDNESS TABLE</i>).
	The cap of the salt reservoir is not properly closed.	Check and close the salt reservoir cap.
	The rinse aid reservoir is empty or the rinse aid dosage is insufficient.	Refill the dispenser with rinse aid and check the dosage setting (for more information - see <i>FILLING THE RINSE AID DISPENSER</i>).
The dishwasher shows F8 E5	Valve is blocked or faulty.	Close the water tap, if possible. Do not switch off the power supply. Call the service.



Policies, standard documentation, ordering of spare parts and additional product information can be found by:

- Using QR code and visiting our website: docs.whirlpool.eu/docs
- Visiting our website: parts-selfservice.europeanappliances.com
- Alternatively, **contact our After-sales Service** (See phone number in the warranty booklet). When contacting our After-sales Service, please state the codes provided on your product's identification plate.

The model information can be retrieved using the QR-Code reported in the energy label. The label also includes the model identifier that can be used to consult the portal of the registry at <https://eprel.ec.europa.eu>





DĚKUJEME VÁM, ŽE JSTE SI ZAKOUPILI VÝROBEK ZNAČKY WHIRLPOOL
Pro získání komplexnější asistence zaregistrujte prosím svůj spotřebič na: www.whirlpool.eu/register

Před použitím spotřebiče si pečlivě přečtěte tento návod k použití a instalaci. Více informací o produktu naleznete na webových stránkách: docs.whirlpool.eu/docs.

! Po instalaci nezapomeňte z myčky odstranit všechny přepravní ochranné díly.

OVLÁDACÍ PANEL

1. Tlačítko ZAPNOUT/VYPNOUT/Resetování s kontrolkou
2. Tlačítko PŘEDCHOZÍ program
3. Tlačítko DALŠÍ program
4. Tlačítko volby Oblíbeného programu s kontrolkou
5. Kontrolka prázdného zásobníku Soli
6. Kontrolka prázdného zásobníku Leštidla
7. Kontrolka ODVÁPŇENÍ
8. Kontrolka Uzavřený Přívod Vody
9. Displej
10. Ukazatel čísla programu a zbývajících času



11. Tlačítko volby funkce Power Clean® s kontrolkou
12. Tlačítko volby Poloviční Náplň s kontrolkou / Nastavení – stisknout 3 sekundy
13. Tlačítko volby Sušení Extra s kontrolkou
14. Tlačítko volby Odložený Start s kontrolkou
15. Tlačítko SPUSTIT/Pozastavit s kontrolkou

PRVNÍ POUŽITÍ

NABÍDKA NASTAVENÍ

1. Zapněte spotřebič stiskem tlačítka ZAPNOUT/VYPNOUT ☺.
2. Podržte tlačítko **Nastavení** (Poloviční Náplň ☺) po dobu 3 sekund, dokud neuslyšíte pípnutí a na displeji se zobrazí „Set“.
3. Po jedné sekundě se zobrazí první dostupné nastavení (písmeno „h“).
4. Stisknutím PŘEDCHOZÍ</DALŠÍ> procházejte seznam dostupných nastavení (viz tabulku níže), poté stiskněte SPUSTIT/Pozastavit ▶▶ pro zobrazení a změnu hodnoty aktuálně zvoleného nastavení.
5. Stiskněte PŘEDCHOZÍ</DALŠÍ> pro změnu hodnoty, poté stiskněte SPUSTIT/Pozastavit ▶▶ pro uložení nové hodnoty a návrat do hlavní nabídky.
6. Chcete-li změnit další nastavení, opakujte body 4 a 5.
7. Stiskněte ZAPNOUT/VYPNOUT ☺ nebo počkejte 30 sekund pro opuštění nabídky.

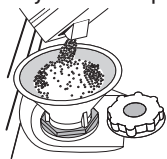
PÍSMENO	NASTAVENÍ	HODNOTY (Výchozí – tučně)
	Úroveň tvrdosti vody (viz „NASTAVENÍ TVRDOSTI VODY“ a „TABULKA TVRDOSTI VODY“)	1 2 3 4 5
	Množství leštidla (viz „NASTAVENÍ DÁVKOVÁNÍ LEŠTIDLA“)	0 1 2 3 4 5
	NaturalDry (viz „MOŽNOSTI A FUNKCE“) „1“ = zapnuto, „0“ = vypnuto	1 0
	Osvětlení směřující k podlaze (viz „MOŽNOSTI A FUNKCE“) „1“ = zapnuto, „0“ = vypnuto	1 0
	Zvuk „1“ = zapnuto, „0“ = vypnuto	1 0
	Tovární nastavení Stisknutím SPUSTIT/Pozastavit obnovíte výchozí tovární nastavení všech hodnot nastavení obsažených v nabídce nastavení.	-

NAPLNĚNÍ ZÁSOBNÍKU SOLI

Použití soli vede k předcházení usazování VODNÍHO KAMENE na nádobí a funkčních součástech myčky.

Zásobník soli se nachází ve spodní části myčky (pod spodním košem na levé straně).

- ZÁSOBNÍK NA SŮL nesmí NIKDY ZŮSTAT PRÁZDNÝ.
- Nastavení tvrdosti vody je důležité.
- Pokud se rozsvítí kontrolka DOPLNĚNÍ SOLI ☹ na ovládacím panelu, je nutné doplnit sůl.



1. Vytáhněte spodní koš a odšroubujte víčko zásobníku (proti směru hodinových ručiček).
2. Umístěte trychtýř (viz obrázek) a naplňte zásobník soli až po okraj (přibližně 0,5 kg); odtékání určitého množství vody je přitom normální.
3. Následující kroky provádějte pouze při prvním použití: Naplňte zásobník soli vodou.

4. Vyjměte trychtýř a otřete z otvoru přebytečnou sůl. Ujistěte se, že je víčko pevně dotaženo, aby se do zásobníku nedostal při mytí žádný mycí prostředek (to by mohlo vést k neopravitelnému poškození změkčovače vody). **Pokaždé, jakmile dokončíte doplňování zásobníku soli, spusťte program, abyste zabránili korozi.**

Nastavení tvrdosti vody

Aby mohl změkčovač vody řádně fungovat, je nezbytné nastavit tvrdost vody podle skutečných hodnot platných pro vodu ve vašem domě. Informaci o tvrdosti vody v řadu získáte od místního dodavatele vody.

Tovární nastavení pro průměrnou tvrdost je „3“. Viz **TABULKA TVRDOSTI VODY**.

Stupeň	Tabulka tvrdosti vody		
	°dH Německé stupně	°fH Francouzské stupně	°Clark Anglické stupně
1 (měkká)	0 - 6	0 - 10	0 - 7
2 (střední)	7 - 11	11 - 20	8 - 14
3 (středně tvrdá)	12 - 16	21 - 29	15 - 20
4 (tvrdá)	17 - 34	30 - 60	21 - 42
5 (velmi tvrdá)	35 - 50	61 - 90	43 - 62

Pro provádění změn viz pokyny v části „NABÍDKA NASTAVENÍ“.

Používejte výhradně sůl určenou pro myčky nádobí.

Poté, co do myčky nasypete sůl, zhasne kontrolka DOPLNĚNÍ SOLI.

Pokud není zásobník na sůl doplněn, může to vést k poškození změkčovače vody a topného tělesa v důsledku nahromadění vodního kamene.

Sůl doporučujeme používat s každým typem prostředku na mytí nádobí.

SYSTÉM PRO ZMĚKČOVÁNÍ VODY

Změkčovač vody automaticky snižuje tvrdost vody, a zabraňuje tak nahromadění vodního kamene na ohřívací a přispívá k vyšší účinnosti mytí.

Tento systém k regeneraci využívá sůl, proto je nutné doplňovat zásobník na sůl, když se vyprázdní.

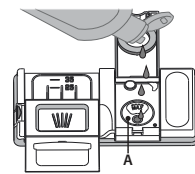
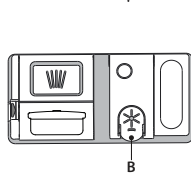
Četnost regenerace závisí na nastavení úrovně tvrdosti vody – s úrovní tvrdosti nastavené na 3 probíhá regenerace jednou za 4-6 Eco cyklů.

Proces regenerace probíhá na začátku cyklu pomocí většího množství čisté vody.

- Spotřeba během jedné regenerace: ~ 3 l vody;
- Proloužení cyklu až o 5 minut;
- Spotřeba méně než 0,005 kWh energie.

DOPLNĚNÍ DÁVKOVAČE LEŠTIDLA

Díky leštidlu nádobí lépe schne. Zásobník leštidla A by měl být doplněn pokaždé, když se na ovládacím panelu rozsvítí kontrolka NEDOSTATEK LEŠTIDLA ☹.



1. Stlačením a zatažením páčky na víku zásobník B otevřete.
2. Opatrně nalijte leštidlo až po maximální hodnotu (110ml) vyznačenou ryskou v hrdle zásobníku – zabraňte jeho přelití. Pokud dojde k rozlítí, setřete tekutinu okamžitě suchým hadrem.

3. Stiskněte víčko, dokud se s cvaknutím nezavře.

NIKDY nelijte leštidlo přímo do myčky.

Nastavení dávkování leštidla

Nejste-li plně spokojeni s výsledky sušení, můžete nastavit množství použitého leštidla.

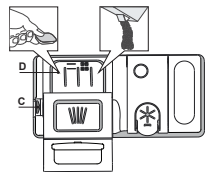
Pro provádění změn viz pokyny v části „NABÍDKA NASTAVENÍ“.

Je-li úroveň dávkování leštidla nastavena na „NULA“, nebude dávkováno žádné leštidlo. Dojde-li leštidlo, kontrolka „NEDOSTATEK LEŠTIDLA“ se nerozsvítí.

V závislosti na konkrétním modelu myčky lze nastavit maximálně 6 úrovní.

- Pokud jsou na nádobí patrné modravé odlesky, nastavte nízké hodnoty (0-3).
- Jsou-li na nádobí stopy vodního kamene, nastavte vyšší číslo (4-5).

DOPLNĚNÍ DÁVKOVAČE MYČÍHO PROSTŘEDKU



K otevření zásobníku mycího prostředku použijte otevírací prvek C. Dávkujte mycí prostředek výhradně do suchého zásobníku D. Prostředek pro předmytí dávkujte přímo do prostoru myčky.

1. Při dávkování mycího prostředku se řiďte předchozími pokyny, abyste odměřili správné množství. Uvnitř zásobníku **D** se nacházejí značky, které pomohou při dávkování mycího prostředku.

2. Odstraňte zbytky mycího prostředku z okraje zásobníku a pak jej zavřete tak, aby bylo slyšet cvaknutí.
3. Tahem zavřete víčko zásobníku mycího prostředku, dokud zavírací prvek nezapadne na své místo.

Zásobník se automaticky otevře v pravou chvíli v závislosti na použitém programu.

Použití čistícího prostředku, který není určený pro myčky nádobí, může způsobit nesprávný chod nebo poškození spotřebiče.

DENNÍ POUŽÍVÁNÍ

1. ZKONTROLUJTE PŘIPOJENÍ K VODOVODNÍ SÍTI

Zkontrolujte, zda je myčka připojená k vodovodní síti a zda je vodovodní kohoutek otevřený.

2. ZAPNĚTE MYČKU

Otevřete dvířka a stiskněte tlačítko **ZAPNOUT/VYPNOUT**.

3. VLOŽTE NÁDOBÍ (viz PLNĚNÍ KOŠŮ).

4. PLNĚNÍ DÁVKOVAČE MYČÍHO PROSTŘEDKU

5. VYBERTE PROGRAM A PŘÍZPUSOBTE CYKLUS

Nejvhodnější program vyberete v závislosti na druhu nádobí a míře jeho zašpinění (viz **POPIS PROGRAMŮ**) stisknutím tlačítka vybraného **PŘEDCHOZÍ/DALŠÍ**. Vyberte požadované možnosti (viz **MOŽNOSTI A FUNKCE**). Ne všechny možnosti jsou kompatibilní se všemi programy.

6. SPUSTIT

Mycí cyklus spustíte stiskem tlačítka **SPUSTIT/Pozastavit** (LED kontrolka svítí) a následným uzavřením dvířek do 4 sekund. Jakmile program začne, uslyšíte jedno pípnutí. Pokud dvířka nejsou do 4 sekund uzavřena, rozezná se výstražné upozornění. V takovém případě dvířka otevřete, stiskněte tlačítko **SPUSTIT/Pozastavit** a znovu je uzavřete při dodržení čtyřsekundového časového limitu.

7. KONEC MYČÍHO CYKLU

Konec mycího cyklu oznámí zvukové znamení a na displeji se zobrazí **END** (KONEC). Otevřete dvířka a vypněte spotřebič stiskem tlačítka **ZAPNOUT/VYPNOUT**.

Před vyklizením nádobí chvíli počkejte, předejdete tak popálení. Vyklidíte nádobí z košů – začněte spodním.

ÚPRAVA NASTAVENÍ BĚŽÍCÍHO PROGRAMU

Došlo-li k výběru nesprávného programu, je možné jej změnit za předpokladu, že od jeho spuštění uplynula pouze krátká chvíle. **RESET** spotřebiče: Stiskněte tlačítko **ZAPNOUT/VYPNOUT** a podržte ho po dobu delší než 3 sekundy, načež se spotřebič vypne. **Na ovládacím panelu bude svítit „0:01“**. Zavřete dvířka a vyčkejte, dokud neskončí cyklus vypouštění (přibližně 1 minuta). Otevřete dvířka a stisknutím tlačítka **ZAPNOUT/VYPNOUT** spotřebič opět zapnete a zvolte nový mycí program spolu s požadovanými možnostmi. Mycí cyklus spustíte stiskem tlačítka **SPUSTIT/Pozastavit** a uzavřením dvířek do 4 sekund.

PŘIDÁNÍ DALŠÍHO NÁDOBÍ

Bez toho, abyste spotřebič vypínali, otevřete nejprve mírně dvířka, aby voda nevystříkla ven (LED kontrolka **SPUSTIT/Pozastavit** začne blikat) (**Pozor! Horká pára!**) a vložte nádobí do myčky. Stiskněte tlačítko **SPUSTIT/Pozastavit** a do 4 sekund uzavřete dvířka. Cyklus se opětovně spustí od místa, ve kterém byl přerušen.

NÁHODNÁ PŘERUŠENÍ

Dojde-li v průběhu mycího cyklu k otevření dvířek nebo výpadku elektrického napájení, cyklus se zastaví. **POUZE POKUD STISKNETE** tlačítko **SPUSTIT/Pozastavit** a do 4 sekund zavřete dvířka, cyklus se opětovně spustí od místa, ve kterém byl přerušen.

DOPORUČENÍ A TYPY

RADY

Před plněním košů odstraňte z nádobí všechny zbytky jídel a vyprázdněte sklenice. **Nádobí není třeba oplachovat pod tekoucí vodou.**

Uspořádejte nádobí vmyčce tak, aby pevně leželo na místě a nepřepadávalo; nádoby vkládejte dnem vzhůru a vyduťnými vypuklými povrchy šikmo, aby voda měla přístup ke všem povrchům a zároveň mohla volně odtékat.

Varování: Víka, madla, podnosy a pánve nesmí bránit ostříkovacím ramenům myčky v pohybu.

Drobné předměty vkládejte do koše na příbory. Velmi znečištěné nádobí a hrnce umísťte do spodního koše, protože v této části myčky je proud vody silnější, a lze tak dosáhnout lepší výkonnosti.

Po naplnění myčky ověřte, že se ostříkovací ramena mohou volně otáčet.

NEVHODNÉ NÁDOBÍ

- Dřevěné nádobí a příbory.
- Jemné zdobené sklenice, umělecké, ručně vyrobené a starožitné nádobí. Jejich zdobení není dostatečně odolné.
- Části z plastu neodolávající vysokým teplotám.
- Měděné a cínové nádobí.
- Nádobí zašpiněné popelem, voskem, mazacím tukem či inkoustem.

Barva ozdob na skle a hliníkovy/směrných kusů nádobí může během mytí vyblednout. Některé druhy skla (např. křišťálové předměty) mohou po několika mycích cyklech zmatnět.

POŠKOZENÍ SKLA A NÁDOBÍ

- Používejte výhradně sklenice a porcelán, u nichž výrobce zaručuje možnost mytí v myčce.
- Používejte jemný mycí přípravek vhodný na porcelánové nádobí
- Vyjměte sklo a příbory z myčky hned po skončení mycího cyklu.

TIPY K ÚSPORĚ ENERGIE

- Pokud se myčka nádobí do domácnosti používá v souladu s pokyny výrobce, je spotřeba **ENERGIE a vody při mytí nádobí v myčce NIŽŠÍ než při mytí v ruce.**
- Pro maximální úspornost myčky nádobí doporučujeme **mycí cyklus spustit až ve chvíli, kdy je myčka zcela zaplněná.** Naplnění myčky nádobí až do plné kapacity uvedené výrobcem přispívá k úspoře energie a vody. Informace o správném vkládání nádobí najdete v kapitole **PLNĚNÍ KOŠŮ**. V případě pouze částečného zaplnění doporučujeme použití příslušného mycího programu, je-li k dispozici (Half load / Zone Wash / Multi Zone) a plnění pouze příslušných košů. Nesprávné nebo nadměrné naplnění myčky může vést ke zvýšení spotřeby (vody, energie a času i zvýšení hlučnosti) a k snížení účinnosti mytí a sušení.
- Ruční předmývání nádobí vede ke zvýšené spotřebě vody a energie a nedoporučujeme jej.

HYGIENA

Aby se předešlo vzniku usazenin a zápachu v myčce, **spusťte nejméně jednou měsíčně program s vysokou teplotou.** Použijte čajovou lžičku mycího prostředku a vsypte ji do prázdné myčky.

ODOLNOST MRÁZU

Pokud je spotřebič umístěn v prostředí, kde je vystaven nebezpečí mrazu, **musí z něj být zcela vypuštěny všechny kapaliny.** Zavřete vodovodní kohoutek, sejměte přívodní a odtokové hadice a nechte veškerou vodu odtéct. Aby byl spotřebič chráněn před teplotami až do $-20\text{ }^{\circ}\text{C}$, **ujistěte se, že změkčovač vody v zásobníku soli je plný rozpuštěné regenerační soli.** Pokud byl spotřebič skladován v mrazu, musí **po dobu nejméně 24 hodin** před prvním spuštěním zůstat při okolní teplotě min. $5\text{ }^{\circ}\text{C}$.

TABULKA PROGRAMŮ

Program	Popis programů	Fáze sušení	NaturalDry	Dostupné funkce *)	Délka mycího programu (h:min)**)	Spotřeba vody (litry/cyklus)	Spotřeba energie (kWh/cyklus)
P1 Eco	Úsporný program 50° - je vhodný k mytí běžně zašpiněného nádobí, který je pro tento účel nejvýhodnějším programem s ohledem na spotřebu energie a vody a který se využívá k vyhodnocení shody spotřebiče s předpisy Ecodesign EU.	✓	✓		4:00	9,5	0,64
P2	Auto Intenzivní 65° - Automatický program pro silně zašpiněné nádobí.	✓	✓		2:25-3:10	15,5-24,5	1,30-1,70
P3	Automatický Smíšený 55° - Automatický program pro běžně zašpiněné nádobí se suchými zbytky jídel.	✓	✓		1:20-3:00	7,5-19,5	0,75-1,20
P4	Automatický Rychlý 50° - Automatický program pro běžné a lehce zašpiněné nádobí. Běžný každodenní program zajišťující optimální účinnost mytí a sušení za kratší dobu.	✓	✓		1:00-1:50	7,5-15,5	0,70-1,10
P5	Rychlý 45° - program doporučujeme používat na menší množství lehce zašpiněného nádobí bez suchých zbytků jídel. Nezahrnuje fázi sušení.	-	✓		0:30-0:40	10-12	0,55-0,65
P6	Křišťál 45° - Program pro choulostivé nádobí, které je citlivější na vysoké teploty, jako jsou například sklenice a hrnky.	✓	✓		1:40-1:50	12,5-16,5	0,95-1,20
P7	Tichý 55° - Ideální pro noční provoz spotřebiče. Zajišťuje optimální účinnost mytí a sušení při minimální hladině hluku.	✓	✓		3:50-4:10	10,5-14,5	0,80-1,15
P8	Dezinfekce 65° - Program s doplňkovým antibakteriálním účinkem je určen pro běžné až silně zašpiněné nádobí. Lze použít za účelem údržby myčky.	✓	-		1:55-2:10	12-19	1,40-1,80
P9	Předmytí - Používejte pro opláchnutí nádobí, které plánujete mýt později. V tomto programu se nepoužívá žádný mycí prostředek.	-	✓		0:12	4,5	0,10
P10	Autočištění 65° - Program slouží k údržbě myčky nádobí. Spouštějte pouze v případě, že je myčka PRÁZDNÁ a s použitím speciálního čisticího prostředku určeného k údržbě myčky.	-	-		1:15	11,0	1,10

Údaje pro „ÚSPORNÝ PROGRAM“ jsou měřeny v laboratorních podmínkách podle pokynů evropské normy EN 60436:2020.

Poznámka pro zkušební laboratoře: Pro informace o zkušebních podmínkách srovnávací zkoušky EN napište na adresu: dw_test_support@whirlpool.com

Žádný z programů nevyžaduje jakékoli předchozí ošetření nádobí.

*) Ne všechny možnosti lze použít zároveň.

**) Hodnoty uvedené pro ostatní programy kromě „ÚSPORNÝ PROGRAM“ jsou pouze přibližné. Skutečná doba se může lišit v závislosti na mnoha vlivech, jako je např. teplota, tlak vstupní vody, teplota okolí, množství mycího prostředku, množství a typ nádobí, vyvážení nádobí, zvolené doplňkové možnosti a kalibrace snímačů. Kalibrace snímačů může program prodloužit až o 20min.

MOŽNOSTI A FUNKCE

MOŽNOSTI lze vybírat / a volby rušit po zvolení programu, a to přímým stiskem odpovídajícího tlačítka (je-li možnost dostupná, rozsvítí se indikace) (viz OVLÁDACÍ PANEL). Není-li možnost kompatibilní se zvoleným programem (viz TABULKA PROGRAMŮ), příslušná kontrolka třikrát rychle zabliká a ozve se zvukové znamení. Možnost nebude zvolena. Použití volby může u daného programu vyvolat změnu doby jeho trvání nebo spotřeby vody či energie.

POWER CLEAN® - Díky přídavným vodním tryskám umožňuje tato funkce intenzivnější a účinnější mytí nádobí ve vymezené části spodního koše. Tato funkce se doporučuje pro mytí rendlíků a hrnců (více informací naleznete v části týkající se plnění Power Clean®).

POLOVIČNÍ NÁPLŇ - Pokud je k mytí pouze malé množství nádobí, lze využít funkci POLOVIČNÍ NÁPLŇ šetřící elektrickou energii, vodu nebo čas, v závislosti na zvoleném programu. Nezapomeňte snížit množství mycího prostředku.

SUŠENÍ EXTRA - Zvýšená teplota v závěrečné fázi oplachování a prodloužení fáze sušení vedou k zlepšení sušení. Volba možnosti „SUŠENÍ EXTRA“ má za následek prodloužení mycího cyklu.

ODLOŽENÝ START - Spuštění programu lze odložit o dobu mezi 30 min až 24 hodinami.

1. Zvolte program a případné další možnosti. Odložení spuštění programu nastavíte stiskem tlačítka ODLOŽENÝ START (opakovaně). Spuštění programu lze odložit o 30 minut až 24 hodin. Pokud je při nastavování dosaženo hodnoty „24 hodin“, stiskněte tlačítko ODLOŽENÝ START ještě jednou, abyse funkce ODLOŽENÝ START deaktivovala.

2. Stiskněte tlačítko „SPUSTIT/Pozastavit“ a do 4 sekund zavřete dvířka: časovač začne odpočítávat.

3. Po vypršení stanoveného času kontrolka zhasne a program se automaticky spustí.

Po spuštění programu již funkci ODLOŽENÝ START zvolit nelze.

SNÍMÁNÍ - Ve chvíli, kdy senzor snímá úroveň zašpinění, na displeji se zobrazí odpovídající symbol (přibližně 20 min) a aktualizuje se délka cyklu. Účelem snímání je zjistit míru zašpinění nádobí. Funkce je součástí všech cyklů (kromě Úsporný program) a odpovídajícím způsobem upravuje parametry programu.

OBLÍBENÝ PROGRAM - Oblíbený program lze uložit a bude snadno dostupný. Najdete program pomocí PŘEDCHOZÍ/DALŠÍ a poté stisknete tlačítko OBLÍBENÝ PROGRAM na 3 sekundy.

OSVĚTLENÍ SMĚŘUJÍCÍ K PODLAZE - Kontrolka LED svítící na podlahu indikuje, že myčka nádobí je v provozu. Světlo zhasne na konci cyklu. Tato funkce se aktivuje v rámci výchozího nastavení, nicméně lze ji deaktivovat v „NABÍDKA NASTAVENÍ“.

NaturalDry - Konvenční způsob sušení, kdy se automaticky otevírají dvířka během sušení / po ukončení fáze sušení, aby každý den byla zajištěna mimořádná účinnost sušení. Dvířka se otevrou při teplotě, která je bezpečná pro váš kuchyňský nábytek.

Jako doplňkovou ochranu proti horké páře dodáváme k myčce speciálně navrženou ochrannou fólii.

Pro informace jak postupovat při instalaci ochranné fólie nahlédněte prosím do INSTALAČNÍ PŘÍRUČKY. Tato funkce se aktivuje v rámci výchozího nastavení, nicméně lze ji deaktivovat v „NABÍDKA NASTAVENÍ“.

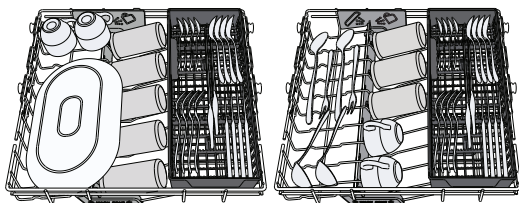
ODVÁPNĚNÍ – Alarm - Na vnitřních součástech spotřebiče bylo zjištěno nahromadění vodního kamene. Zkontrolujte, zda je **Nastavení tvrdosti vody** na správné hodnotě a zda je v zásobníku soli přítomna **sůl** (další podrobnosti viz PRVNÍ POUŽITÍ), poté **použijte odvápnovací prostředek** (doporučuje se značka WPro) s **programem Autočištění**. Po úspěšném odvápnění se ikona přestane zobrazovat.

Pokud nebudou provedeny výše uvedené akce, výkon produktu se zhorší. Varování «Odvápnění» začne blikat a na displeji se zobrazí alarm «dES». Pokud stále neprovedete žádnou akci, spotřebič umožní spuštění pouze určitého počtu cyklů (indikováno během zobrazení alarmu «dES») a poté bude **ZABLOKOVÁN**, aby se zabránilo poškození součástí, **přičemž je k dispozici pouze program Autočištění**. Provedením úplného odstranění vodního kamene dojde k odblokování produktu. V případě extrémně vysokého množství vodního kamene může být nutné odvápnění provést dvakrát, aby bylo účinné.

UZAVŘENÝ VODOVODNÍ KOHOUTEK – výstražná signalizace - Kontrolka bliká v případě, že je uzavřen přívod vody nebo voda nepřitéká.

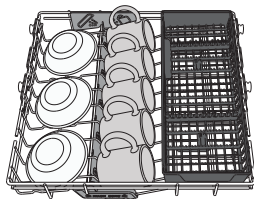
NEJVYŠŠÍ KOŠ

Nejvyšší koš (horní koš) je další mycí zóna určená k mytí misek, hrnků i velkých talířů a příborů, které normálně umísťujete do nižších košů, tím získáte více místa pro další nádobí.



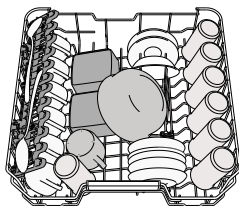
Oddělené umístění příborů usnadňuje jejich pozdější úklid a zlepšuje sušení.

Nože a další ostré nástroje musí být umístěny ostřím dolů.

**HORNÍ KOŠ**

Sem vkládáte jemné a lehké nádobí: sklenice, hrnky, tácky a mělké salátové mísy. Horní koš je vybaven opěrkami, které lze ve svislé poloze použít k umístění podšálků a dezertních talířů, nebo v nižší poloze k umístění misek a nádob na potraviny.

(příklad naplnění horního koše)

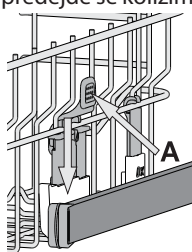
**Nastavení výšky horního koše**

Výšku horního koše lze nastavit: Při umístění do vyšší polohy lze do spodního koše vkládat objemnější kusy, v nižší poloze pak lze nejlépe využít sklopných opěrek – v horní části se tak vytvoří větší prostor a předejde se kolizím s předměty uloženými ve spodním koši.

Horní koš je vybaven **zařízením pro nastavení výšky horního koše** (viz obr.), bez nutnosti používat páky. Stačí koš prostě zvednout za strany, dokud nezapadne do stabilní horní polohy.

Pro návrat koše zpět do dolní polohy stisknete páky **A** po stranách koše a zatlačte koš dolů.

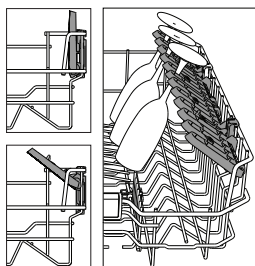
Důrazně doporučujeme neměnit polohu koše, je-li plný. NIKDY nesnižujete ani nezvyšujete polohu koše pouze na jedné straně.

**Sklopné opěrky s nastavitelnou polohou**

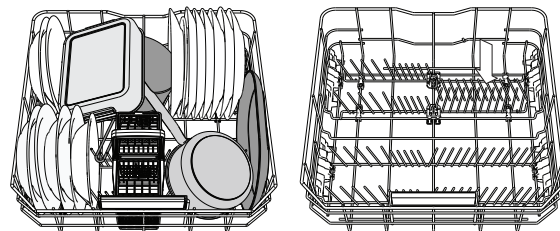
Postranní sklopné opěrky lze sklopit nebo vyklopit za účelem lepšího uspořádání nádobí v koši. Do sklopných opěrek je možno bezpečně umístit sklenice na víno, a to tak, že stopku každé z nich opřeme do příslušného vybrání.

Podle modelu:

- vyklopení opěrek: je třeba je posunout nahoru a otočit jimi nebo je uvolnit z příchytek a zatáhnout směrem dolů;
- sklopení opěrek: je třeba jimi otočit a posunout je dolů, nebo je vytáhnout směrem nahoru a připnout do příchytek.

**DOLNÍ KOŠ**

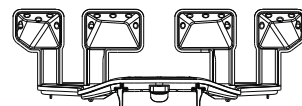
Je určen na hrnce, tácky, talíře, salátové mísy, příbory atd. Velké talíře a poklice by měly být umístěny po stranách, aby nedošlo ke kontaktu s ostříkovačnými rameny. Dolní koš je vybaven opěrkami, které lze ve svislé poloze použít k umístění talířů nebo v horizontální (dolní) poloze ke snadnému umístění hrnců a salátových misek.



(příklad plnění dolního koše)

POWER CLEAN®

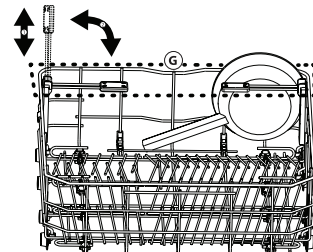
Při funkci „Power Clean“ se používají speciální proudy vody v zadní části myčky k intenzivnějšímu mytí velmi špinavého nádobí. Dolní koš je vybaven zařízením Space Zone, speciální výsuvnou opěrkou v zadní části koše, kterou lze použít k opření pánví či pekáčů ve svislé poloze, kdy zabírají méně místa.



Umístěte hrnce a kastroly proti ústí Power Clean® a aktivujte funkci **POWER CLEAN®** na panelu.

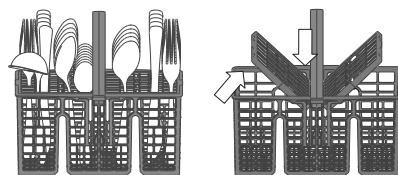
Jak používat funkci „Power Clean“:

1. Upravte prostor (G) pro účinné mytí „Power Clean“ sklopením zadních držáků talířů. Tím uvolníte prostor pro hrnce.
2. Hrnce a kastroly položte svisle do prostoru „Power Clean“. Hrnce je třeba naklonit směrem k vodním tryskám.

**Košík na příbory**

Je vybaven horními otvory umožňujícími lepší uspořádání příborů. Musí být umístěn v přední části dolního koše.

Nože a další ostré nástroje musí být umístěny svisle v koši na příbory ostřím směrem dolů nebo vodorovně na sklopných opěrkách horního koše.

**ÚDRŽBA A ČIŠTĚNÍ****ČIŠTĚNÍ SESTAVY FILTRU**

Pravidelně čistěte sestavu filtru, aby nebyla ucpaná a voda mohla řádně odtékat. Používání myčky s ucpanými filtry nebo cizími předměty ve filtračním systému či rozstříkovačích může způsobit nesprávný chod spotřebiče, ztrátu účinnosti, hlučný chod nebo vyšší spotřebu.

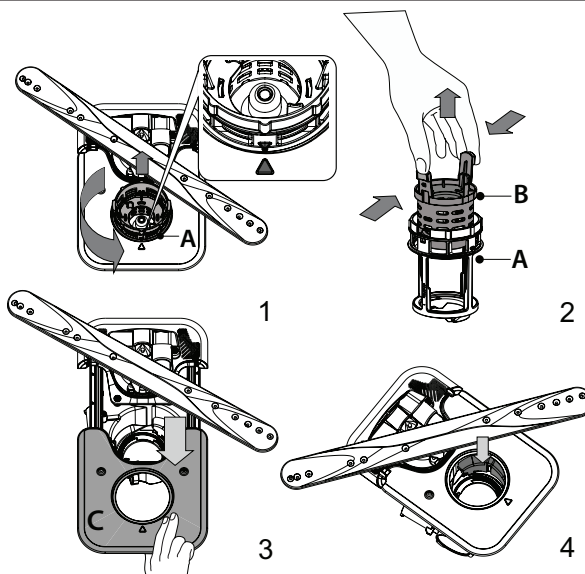
Sestava filtru se skládá ze tří filtrů, které pomáhají zmycí vody odstranit zbytky potravin a umožňují její následnou recirkulaci.

Myčka nesmí být používána bez filtrů nebo s nedotaženými filtry.

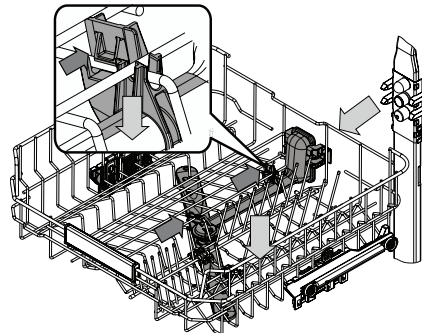
Nejméně jednou měsíčně nebo po každých 30 cyklech zkontrolujte sestavu filtru a v případě potřeby jej důkladně vymyjte pod tekoucí vodou za pomoci nekovového kartáče podle pokynů níže:

1. Otočte válcovým filtrem **A** proti směru chodu hodinových ručiček a vyjměte jej (obr. 1). **Při opětovné instalaci filtru je důležité, aby se oba trojúhelníky zobrazené na zoomu setkaly.**
2. Mírným tlakem na postranní klapky vyjměte miskový filtr **B** (obr. 2).
3. Vysuňte nerezový deskový filtr **C** (obr. 3).
4. Pokud naleznete cizí předměty (např. úlomky skla, porcelánu, kostí, semínka z ovoce), **opatrně je odstraňte.**
5. Prohlédněte prostor pod filtrem a odstraňte případné zbytky jídla. **NIKDY NEODSTRANUJTE** ochranu čerpadla mycího cyklu (zobrazeno šipkou) (obr. 4).

Po vyčištění filtry vraťte na jejich místo a zajistěte je; je to zásadní pro zachování funkčnosti myčky.

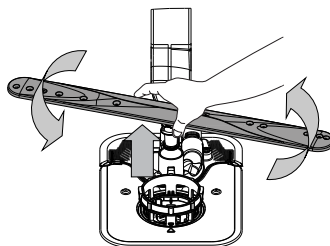


ČIŠTĚNÍ OSTRÍKOVACÍCH RAMEN

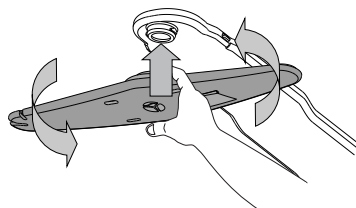


Někdy se stane, že se do ostríkovacích ramen dostane zbytek jídla a ucpe některou z jeho trysek. Doporučujeme proto občasnou kontrolu ramen a jejich vyčištění malým nekovovým kartáčkem.

Chcete-li odebrat horní ostríkování, musíte jej odebrat včetně rozdělovacího potrubí.



Spodní ostríkovací rameno lze vyjmout zatažením směrem nahoru a otočením proti směru hodinových ručiček. Zpětná montáž ostríkovacího ramene se provádí zatažením dolů a otočením ve směru hodinových ručiček.



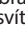
Horní ostríkovací rameno lze vyjmout zatlačením směrem nahoru a otočením proti směru hodinových ručiček. Zpětná montáž ostríkovacího ramene se provádí zatažením nahoru a otočením ve směru hodinových ručiček.

Nejvyšší koš má pevnou mycí trubici s tryskami směřovanými nahoru. Pro čištění je možné koš vyjmout a nečistoty, které uvízly v tryskách, pinzetou odstranit.

ODSTRAŇOVÁNÍ ZÁVAD

Pokud vaše myčka nádobí nefunguje správně, pokuste se problém vyřešit za pomoci informací uvedených v tomto seznamu. V případě jiných problémů nebo dotazů se obraťte na autorizovaný poprodejní servis, jehož kontaktní údaje najdete v záručním listě. Náhradní díly budou k dispozici po dobu až 7 nebo až 10 let podle konkrétních požadavků nařízení.

PROBLÉMY	MOŽNÉ PŘÍČINY	ŘEŠENÍ
Svítí indikátor soli	Zásobník soli je téměř prázdný.	Doplňte do nádržky sůl (další informace – viz NAPLNĚNÍ ZÁSOBNÍKU SOLI). V případě potřeby zkontrolujte nastavení tvrdosti vody – viz TABULKA TVRDOSTI VODY .
Indikátor soli bliká	Zásobník soli je prázdný.	Co nejdříve doplňte do zásobníku sůl. Používání spotřebiče bez soli může způsobit poškození vnitřních komponent.
Indikátor leštidla svítí nebo bliká	Zásobník leštidla je prázdný. (Poté, co leštidlo doplníte, může kontrolka zůstat ještě krátkou dobu svítit.)	Doplňte do zásobníku leštidlo (více informací viz DOPLNĚNÍ DÁVKOVAČE LEŠTIDLA).
Indikátor odvápnění svítí nebo bliká; zobrazuje se alarm „dES“.	Na vnitřních součástech spotřebiče se hromadí vodní kámen.	Spotřebič ihned odvápněte pomocí programu Autočištění a běžně dostupného odvápnovacího prostředku (viz MOŽNOSTI A FUNKCE). Doplněte do nádržky sůl. Zkontrolujte nastavení tvrdosti vody. Pokud odvápnění spotřebiče neprovedete, přestane fungovat.
Myčka se nespouští nebo nereaguje na povel.	Spotřebič není správně připojen do zásuvky.	Zasuňte zástrčku do zásuvky.
	Výpadek proudu.	Z bezpečnostních důvodů se myčka při obnovení napájení automaticky znovu nespustí. Otevřete dvířka myčky, stiskněte tlačítko SPUSTIT/Pozastavit a poté dvířka do 4 sekund znovu zavřete.
	Dveře myčky nejsou dobře zavřené. Količek funkce NaturalDry není zatažen.	Důkladně zavřete dveře, dokud neuslyšíte „cvaknutí“.
	Otevřením dvířek na více než 4 sekundy dojde k přerušení cyklu.	Stiskněte tlačítko SPUSTIT/Pozastavit a do 4 sekund uzavřete dvířka.
Myčka nevypouští vodu. Na displeji se zobrazuje: F7 E3 nebo F9 E1	Filtr je ucpaný zbytky jídla nebo vodním kamenem.	Filtr vyčistěte a proveďte odvápnění spotřebiče (viz ČIŠTĚNÍ SESTAVY FILTRU a ODVÁPNĚNÍ).
	Vypouštěcí hadice je zkroucená.	Zkontrolujte vypouštěcí hadici (viz POKYNY K INSTALACI).
	Odpad dřezu je ucpaný.	Vyčistěte odtok dřezu.
Myčka je příliš hlučná.	Nádobí na sebe naráží.	Nádobí správně rozmístěte (viz PLNĚNÍ KOŠŮ).
	Je přítomno nadměrné množství pěny.	Mycí prostředek nebyl správně nadávkován, popřípadě není vhodný pro použití v myčkách nádobí (viz DOPLNĚNÍ DÁVKOVAČE LEŠTIDLA). Restartujte aktuální cyklus vypnutím a opětovným zapnutím myčky. Poté zvolte nový program, stiskněte tlačítko SPUSTIT/Pozastavit a během 4 sekund zavřete dvířka. Nepřidávejte prosím žádný mycí prostředek.
	Nádobí nebylo v myčce správně uspořádáno.	Nádobí správně rozmístěte (viz PLNĚNÍ KOŠŮ).
	Filtr je ucpaný zbytky jídla nebo vodním kamenem.	Vyčistěte sestavu filtrů (viz ÚDRŽBA A ČIŠTĚNÍ).
Nádobí není umyté.	Nádobí nebylo v myčce správně uspořádáno.	Nádobí správně rozmístěte (viz PLNĚNÍ KOŠŮ).
	Ostríkovací ramena se nemohou volně otáčet – brání jim nádobí.	Nádobí správně rozmístěte (viz PLNĚNÍ KOŠŮ). Zkontrolujte, zda je horní koš ve správné poloze, a v případě potřeby jej upravte (zvedněte).
	Mycí cyklus je příliš jemný.	Vyberte vhodný mycí cyklus (viz TABULKA PROGRAMŮ).
	Je přítomno nadměrné množství pěny.	Mycí prostředek nebyl správně nadávkován, nebo není vhodný pro použití v myčkách nádobí (viz PLNĚNÍ ZÁSOBNÍKU MYCÍHO PROSTŘEDKU).
	Víčko zásobníku leštidla není dobře uzavřeno.	Přesvědčte se, že je víčko na zásobníku leštidla dobře zavřené.
	Filtr je ucpaný zbytky jídla nebo vodním kamenem.	Vyčistěte filtr a spotřebič odvápněte (viz ČIŠTĚNÍ SESTAVY FILTRU).
	Zásobník soli je prázdný.	Doplňte zásobník na sůl (viz NAPLNĚNÍ ZÁSOBNÍKU SOLI).

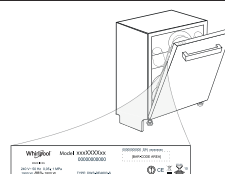
PROBLÉMY	MOŽNÉ PŘÍČINY	ŘEŠENÍ
Myčka nenapouští vodu. Na displeji se zobrazuje: H2O a  svítí; zní zvukový alarm.	V potrubí není voda nebo je uzavřený přívodní ventil.	Zkontrolujte, zda je v potrubí voda a zda je otevřený přívodní ventil.
	Přívodní hadice vody je zkroutená.	Zkontroluje přívodní hadici (viz <i>INSTALACE</i>). Otevřete dvířka myčky, stiskněte tlačítko SPUSTIT/Pozastavit a poté dvířka do 4 sekund znovu zavřete.
	Sítka v přívodní hadici je zanesené; je třeba jej vyčistit.	Překontroluje a vyčistěte sítko nacházející se v přívodní hadici vody. Otevřete dvířka myčky, stiskněte tlačítko SPUSTIT/Pozastavit a poté dvířka do 4 sekund znovu zavřete.
Myčka předčasně ukončuje cyklus. Na displeji se zobrazuje: F8 E3	Filtr je ucpaný zbytky jídla nebo vodním kamenem.	Filtr vyčistěte a proveďte odvápnění spotřebiče (viz <i>ČIŠTĚNÍ SESTAVY FILTRU a ODVÁPŇENÍ</i>).
	Vypouštěcí hadice je umístěna příliš nízko, nebo dochází k vypouštění do domácího kanalizačního systému.	Zkontrolujte, zda je konec vypouštěcí hadice umístěn ve správné výšce (viz <i>INSTALACE</i>). Zkontrolujte, zda nedochází k vypouštění do domovní kanalizace, a v případě potřeby nainstalujte přerušovač sifonu / ventil pro přívod vzduchu.
	Je přítomno nadměrné množství pěny.	Mycí prostředek nebyl správně nadávkován, nebo není vhodný pro použití v myčkách nádobí (viz <i>DOPLNĚNÍ DÁVKOVAČE MYCÍHO PROSTŘEDKU</i>).
	Vzduch v přívodní hadici.	Zkontrolujte, zda systém přívodu vody nevykazuje netěsnosti, nebo zda se nevyskytují jiné závady, které způsobují pronikání vzduchu dovnitř.
Nádobí není dobře usušené.	Není přítomen lešticí prostředek, popřípadě je dávkováno příliš malé množství.	Ujistěte se, že zásobník na leštidlo je doplněn (viz <i>DOPLNĚNÍ DÁVKOVAČE LEŠTIDLA</i>). Při použití pouze multifunkčních tablet nedocílíte tak dobré účinnosti sušení jako při použití tekutého leštidla.
	Nádobí bylo vyloženo po automatickém otevření dvířek, ale před skutečným ukončením cyklu.	Před zahájením vykládání nádobí se ujistěte, že cyklus skončil (viz <i>DENNÍ POUŽÍVÁNÍ</i>). Pro ještě lepší výsledky sušení doporučujeme po skončení cyklu ponechat nádobí v myčce s otevřenými dvířky dalších 15 minut.
	Nádobí je uloženo příliš na plocho.	Pokud máte v prohlubních šálků, hrnků nebo misek nahromaděnou vodu, zkuste vložit nádobí do myčky (to platí zvláště pro horní koš) tak, aby bylo více nakloněné, aby větší množství vody mohlo odkapat ještě předtím, než začne sušení.
	Zvolený mycí cyklus nezahrnuje fázi sušení.	Podívejte se do <i>TABULKY PROGRAMŮ</i> , abyste zjistili, zda je součástí zvoleného programu i fáze sušení. Cyklus bez fáze sušení nemusí zajistit požadovanou účinnost sušení, proto doporučujeme změnit výběr mycího cyklu a zvolit takový, který fázi sušení má.
	Nádobí je z plastu s nepřílnavou úpravou.	Ulpění pár kapek vody na tomto typu materiálu je normální.
Na nádobí a sklenicích jsou modré pruhy, nebo mají namodralý nádech.	Dávkování leštidla je příliš vysoké.	Nastavte dávkování na nižší množství.
Nádobí i sklenice mají na sobě vrstvu vodního kamene nebo bílý film.	Zásobník soli je prázdný.	Co nejdříve doplňte do zásobníku sůl. Používání spotřebiče bez soli může způsobit poškození vnitřních komponent.
	Nastavení tvrdosti vody je příliš nízké.	Zvyšte hodnoty nastavení (viz <i>TABULKA TVRĐOSTI VODY</i>).
	Uzávěr zásobníku na sůl není správně zavřený.	Překontrolujte a zavřete uzávěr nádržky na sůl.
	Zásobník na leštidlo je prázdný, popřípadě dávkování leštidla není dostatečné.	Doplňte do zásobníku leštidlo a překontrolujte nastavení dávkování (viz <i>DOPLNĚNÍ DÁVKOVAČE LEŠTIDLA</i>).
Myčka zobrazuje kód F8 E5	Ventil je zablokovaný nebo vadný.	Je-li to možné, zavřete vodovodní kohoutek. Nevypínejte napájení. Zavolejte do servisu.



Firemní zásady, standardní dokumentaci, objednávky náhradních dílů a další informace o výrobku získáte:

- Pomocí naskenování QR kódu a návštěvou našeho webu: docs.whirlpool.eu/docs
- Návštěvou našeho webu: parts-selfservice.europeanappliances.com
- Případně **kontaktujte náš poprodejní servis** (telefonní číslo najdete v záručním listě). Při kontaktování našeho poprodejního servisu prosím uveďte kódy na identifikačním štítku produktu

Informace o modelu získáte přes QR kód na energetickém štítku. Na štítku rovněž najdete identifikační číslo modelu, které můžete použít k vyhledávání v rejstříku na portálu <https://eprel.ec.europa.eu>.





DANKE, DASS SIE SICH FÜR EIN WHIRLPOOL PRODUKT ENTSCHIEDEN HABEN.
Für eine umfassendere Unterstützung melden Sie Ihr Gerät bitte an unter: www.whirlpool.eu/register

Diese Sicherheits- und Installationsanweisungen vor dem Gebrauch aufmerksam durchlesen. Weitere Informationen über Ihr Produkt sind auf folgender Website verfügbar: docs.whirlpool.eu/docs runtergeladen werden.

Denken Sie nach der Installation daran, sämtliche Teile zum Transportschutz aus dem Geschirrspüler zu entfernen.

BEDIENTAFEL

- EIN-AUS/Reset** Taste mit Anzeigelicht
- ZURÜCK Programm-Taste**
- WEITER Programm-Taste**
- FAVORITEN-Programm-Taste** mit Anzeigelicht
- Anzeigelicht für **Salzbehälter** leer
- Anzeigelicht für **Klarspüler** leer
- ENTKALKEN** - Anzeigelicht
- Wasserhahn** zu Anzeigelicht
- Display**
- Programmnummer** und verbleibende Zeitanzeige
- Power Clean®-Optionstaste** mit Anzeigelicht



- Halbe Füllmenge-Optionstaste** mit Anzeigelicht/ **Einstellungen** - 3 s drücken
- Extra Trocken-Optionstaste** mit Anzeigelicht
- Startvorwahl-Optionstaste** mit Anzeigelicht
- START/Pause** - Taste mit Anzeigelicht

ERSTER GEBRAUCH

EINSTELLUNGSMENÜ

- Gerät mit der **EIN-AUS** -Taste einschalten.
- Halten Sie die **Einstellungen** (Halbe Füllmenge - Taste) 3 Sekunden lang, bis Sie einen Piepton hören und das Display „**SET**“ anzeigt.
- Nach einer Sekunde wird die erste verfügbare Einstellung (Buchstabe „h“) angezeigt.
- Drücken Sie **ZURÜCK</WEITER>** zum Durchblättern der Liste der verfügbaren Einstellungen (siehe Tabelle unten). Drücken Sie dann **START/Pause** , um den Wert der aktuell ausgewählten Einstellung zu ändern.
- Drücken Sie **ZURÜCK</WEITER>**, um den Wert zu ändern, dann drücken Sie **START/Pause** , um den neuen Wert zu speichern und zum Hauptmenü zurückzukehren.
- Zum Ändern einer weiteren Einstellung wiederholen Sie die Punkte 4 und 5.
- Drücken Sie **EIN-AUS** oder warten Sie 30 Sekunden, um das Menü zu verlassen.

Wasserhärte einstellen

Damit der Wasserenthärter perfekt arbeiten kann, muss die Wasserhärte je nach der aktuellen Wasserhärte in Ihrem Haus eingestellt werden. Diese Information erhalten sie bei Ihrem örtlichen Wasserversorger. Die werkseitige Einstellung ist „3“ für eine durchschnittliche Wasserhärte.

Stufe	°dH	°fH	°Clark
	Deut. Härtegr.	Französischer Härtegr.	Engl. Härtegr.
1 (weich)	0 - 6	0 - 10	0 - 7
2 (mittel)	7 - 11	11 - 20	8 - 14
3 (durchschnittlich)	12 - 16	21 - 29	15 - 20
4 (hart)	17 - 34	30 - 60	21 - 42
5 (sehr hart)	35 - 50	61 - 90	43 - 62

BUCHSTABE	EINSTELLUNG	WERTE (Standard - fettgedruckt)
	Wasserhärtegrad <i>(siehe "WASSERHÄRTE EINSTELLEN" und "WASSERHÄRTE-TABELLE")</i>	1 2 3 4 5
	Dosierstufe des Klarspülers <i>(siehe "KLARSPÜLERDOSIERUNG")</i>	0 1 2 3 4 5
	NaturalDry <i>(siehe "OPTIONEN UND FUNKTIONEN")</i> "1" = Ein, "0" = Aus	1 0
	Licht am Boden <i>(siehe "OPTIONEN UND FUNKTIONEN")</i> "1" = Ein, "0" = Aus	1 0
	Ton "1" = Ein, "0" = Aus	1 0
	Werkseinstellungen Drücken Sie START/Pause zum Rückstellen aller Werte der Einstellungen im Einstellungsmenü auf die Standardwerkseinstellung.	-

Zum Ändern befolgen Sie die Anweisungen im Abschnitt „EINSTELLUNGSMENÜ“.

Verwenden Sie bitte nur Speziessalz für Geschirrspüler. Nach dem Einfüllen des Salzes erlischt die SALZNACHFÜLLANZEIGE.
Wenn der Salzbehälter nicht gefüllt ist, könnten Kesselsteinablagerungen den Wasserenthärter und das Heizelement beschädigen. Die Verwendung von Salz wird bei jeder Art von Geschirrspülmittel empfohlen.

WASSERENTHÄRTUNG

Der Wasserenthärter reduziert automatisch die Wasserhärte, verhindert Kesselsteinablagerungen am Heizelement und trägt somit zu einer höheren Reinigungsleistung bei.

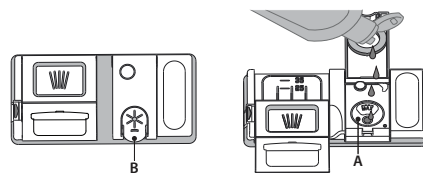
Dieses System regeneriert sich mit Salz, daher ist es erforderlich, Salz in den Behälter zu füllen, wenn dieser leer ist.

Die Regenerierungshäufigkeit hängt von eingestellten Stufe für die Wasserhärte ab - die Regenerierung findet einmal alle **4-6** Eco-Zyklen bei Wasserhärte auf **3** statt. Der Regenerationsprozess findet zu Beginn des Programms mit zusätzlichem Frischwasser statt.

- Eine einzelne Regeneration verbraucht: ~3 l Wasser;
- Das Programm dauert bis zu 5 Minuten länger;
- Energieverbrauch unter 0,005 kWh.

KLARSPÜLERSPENDER AUFFÜLLEN

Klarspüler macht das TROCKNEN von Geschirr einfacher. Der Klarspülerspender **A** muss aufgefüllt werden, wenn das **KLARSPÜLER AUFFÜLLEN Anzeigelicht** auf der Bedienblende leuchtet.



- Den Behälter **B** durch Drücken und Anheben der Zunge am Deckel öffnen.
- Den Klarspüler vorsichtig bis zur maximalen Füllstandsmarkierung (110 ml) an der Füllöffnung einfüllen und ein Überlaufen vermeiden.

- Andernfalls sofort mit einem trockenen Tuch abwischen.
- Den Deckel schließen bis er einrastet.

Füllen Sie den Klarspüler NIEMALS direkt ins Innere des Geschirrspülers.

SALZBEHÄLTER BEFÜLLEN

Mit der Verwendung von Salz werden KALKABLAGERUNGEN auf dem Geschirr und den funktionalen Komponenten des Geschirrspülers verhindert. Der Salzbehälter befindet sich im unteren Teil des Geschirrspülers (unter dem Unterkorb auf der linken Seite).

- **DER SALZBEHÄLTER DARF NIE LEER SEIN!**
- Es ist wichtig, die Wasserhärte einzustellen.
- Salz muss eingefüllt werden, wenn auf der Bedienblende die Anzeigelicht der **SALZNACHFÜLLANZEIGE** S aufleuchtet.



- Ziehen Sie den Unterkorb heraus und schrauben Sie den Salzbehälterdeckel gegen den Uhrzeigersinn ab.
- Setzen Sie den Trichter auf (siehe Abbildung) und füllen Sie den Behälter bis zum Rand mit Salz (ca. 0,5 kg), es ist normal, wenn etwas Wasser ausläuft.
- Nur beim ersten Mal: Befüllen Sie den Salzbehälter mit Wasser.**

4. Den Trichter abnehmen und die Salzreste vom Öffnungsrand entfernen. Sicherstellen, dass der Deckel fest angeschraubt ist, so dass kein Spülmittel während dem Waschprogramm in den Behälter gelangt (dies könnte den Wasserenthärter irreparabel beschädigen).

Lassen Sie jedes Mal, sobald Sie das Nachfüllen des Salzbehälters beendet haben, ein Programm laufen, um Korrosion zu vermeiden.

Klarspülerdosierung

Sollte das Trockenergebnis unzufrieden stellend sein, kann die Klarspülerdosierung neu eingestellt werden.

Zum Ändern befolgen Sie die Anweisungen im Abschnitt „EINSTELLUNGSMENÜ“. Die Klarspülerstufe kann auf NULL eingestellt werden. In diesem Fall wird kein Klarspüler ausgegeben. **Die Kontrollleuchte zur ANZEIGE DES FEHLENDEN KLARSPÜLERS** leuchtet nicht mehr auf.

Je nach Gerätemodell können bis max. **6** Stufen eingestellt werden.

- Wenn Sie bläuliche Streifen auf dem Geschirr sehen, stellen Sie eine niedrigere Zahl ein (0-3).
- Wenn Wassertropfen oder Kalkablagerungen auf dem Geschirr sind, eine höhere Zahl einstellen (4-5).

TÄGLICHER GEBRAUCH

1. ANSCHLUSS AN DIE WASSERLEITUNG PRÜFEN

Sicherstellen, dass der Geschirrspüler an die Wasserleitung angeschlossen und der Wasserhahn auf ist.

2. SCHALTEN SIE DEN GESCHIRRSPÜLER EIN

Tür öffnen und **EIN-AUS**-Taste drücken.

3. KÖRBE BELADEN (siehe KÖRBE BELADEN)

4. EINFÜLLEN DES SPÜLMITTELS

5. PROGRAMM WÄHLEN UND DAS PROGRAMM ANPASSEN

Das am besten geeignete Programm je nach Besteckart und Verschmutzungsgrad (siehe PROGRAMMBESCHREIBUNG) durch Drücken der gewählten **ZURÜCK/WEITER**-Taste auswählen. Die gewünschten Optionen auswählen (siehe OPTIONEN UND FUNKTIONEN). Nicht alle Optionen sind mit allen Programmen kompatibel.

6. START

Starten Sie das Spülprogramm mit der Taste **START/Pause** (LED leuchtet) und schließen Sie die Tür innerhalb von 4 Sek. Bei Programmstart ertönt ein einzelner Piepton. Wenn die Tür nicht innerhalb von 4 Sek. geschlossen wurde, ertönt der akustische Alarm. Öffnen Sie in diesem Fall die Tür, drücken Sie die Taste **START/Pause** und schließen Sie die Tür erneut innerhalb von 4 Sekunden.

7. ENDE DES SPÜLPROGRAMMS

Das Ende des Spülprogramms wird durch Pieptöne angegeben und auf dem Display erscheint **END** (ENDE). Die Tür öffnen und das Gerät mit der **EIN-AUS**-Taste ausschalten.

Vor Entnahme des Bestecks einige Minuten warten - um Verbrennungen zu vermeiden. Die Körbe entladen, mit dem Unteren beginnen.

HINWEISE UND TIPPS

EMPFEHLUNGEN

Bevor Sie das Geschirr in den Geschirrspüler einräumen, befreien Sie es von Speiserückständen und entleeren Sie Gläser und Behälter von Flüssigkeitsresten. **Es ist nicht notwendig, das Geschirr unter fließendem Wasser vorzuspülen.**

Stellen Sie das Geschirr so ein, dass es fest steht und nicht umfallen kann. Behälter müssen mit der Öffnung nach unten eingestellt werden und hohle oder gewölbte Teile müssen schräg stehen, damit das Wasser alle Oberflächen erreicht und dann abfließen kann.

Achtung: Achten Sie darauf, dass Deckel, Griffe, Töpfe und Tablett die Drehung der Sprüharme nicht behindern. Stellen Sie kleine Gegenstände in den Besteckkorb. Stark verschmutztes Geschirr und Töpfe sollten in dem Unterkorb untergebracht werden, da in diesem Bereich die Wasserstrahlen stärker sind und eine höhere Spülleistung garantieren. Stellen Sie nach Einräumen des Geschirrs sicher, dass sich die Sprüharme frei bewegen können.

UNGEEIGNETES GESCHIRR

- Besteck und Geschirr aus Holz.
- Empfindliche Dekorgläser, handgemachte Teller und antikes Geschirr. Die Dekore sind nicht spülmaschinenfest.
- Nicht temperaturbeständige Kunststoffteile.
- Geschirr aus Kupfer und Zinn.

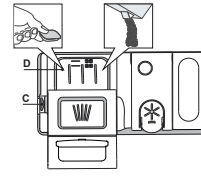
Mit Asche, Wachs, Schmieröl oder Tinte verschmutztes Geschirr. Glasdeko, Aluminium- und Silberteile können während des Spülgangs die Farbe verändern und ausbleichen. Auch einige Glasarten (z.B. Kristallgegenstände) können nach mehreren Spülgängen matt werden.

SCHÄDEN AN GLAS UND GESCHIRR

- Spülen Sie nur Gläser und Geschirr in Ihrem Geschirrspüler, die vom Hersteller als spülmaschinenfest ausgezeichnet sind.
- Verwenden Sie ein Feinspülmittel für Geschirr.
- Nehmen Sie Gläser und Besteck so bald wie möglich nach Ablauf des Programms aus der Spülmaschine.

EINFÜLLEN DES SPÜLMITTELS

Zum Öffnen des Spülmittelbehälters den Öffnungsmechanismus C drücken. Füllen Sie das Spülmittel ausschließlich in das trockene Fach D ein. Die für den Vorspülgang benötigte Spülmittelmenge wird direkt in den Geschirrspüler gegeben.



1. Hinsichtlich der Dosierung verweisen wir auf die zuvor erwähnte Information, in der die richtige Menge angegeben ist. Im Fach D sind Anzeigen die bei der Spülmieldosierung helfen.
2. Entfernen Sie eventuelle Spülmittelrückstände von den Kanten der Kammern und schließen Sie den Deckel so, dass er einrastet.
3. Schieben Sie den Deckel der Spülmittelkammer zum Schließen nach oben, bis er einrastet.

Die Spülmittelkammer öffnet sich automatisch zum richtigen Zeitpunkt des jeweils gewählten Programms.

Die Verwendung von Reinigungsmitteln, die nicht für Geschirrspüler bestimmt sind, kann zu Fehlfunktionen oder Schäden am Gerät führen.

ÄNDERN EINES LAUFENDEN PROGRAMMS

Wenn ein falsches Programm ausgewählt wurde, kann es geändert werden, wenn es gerade erst gestartet wurde. **RÜCKSETZEN** der Maschine: Die **EIN-AUS**-Taste drücken und länger als 3 s gedrückt halten, um die Maschine auszuschalten. **Das Bedienfeld zeigt "0:01"**. Schließen Sie die Tür und warten Sie, bis der Waschgang «Schleudern und abpumpen» beendet ist (rund 1 Minute). Öffnen Sie die Tür und schalten Sie die Maschine mit der **EIN-AUS**-Taste wieder ein. Wählen Sie das neue Spülprogramm und die gewünschten Optionen aus. Das Spülprogramm durch Drücken der Taste **START/Pause** starten und die Tür innerhalb von 4 s schließen.

HINZUFÜGEN VON WEITEREM GESCHIRR

Ohne die Maschine auszuschalten, die Tür erst leicht öffnen, um zu verhindern, dass Wasser herausspritzt (**START/Pause** LED beginnt zu blinken) (**Vorsicht: Heißer Dampf!**) und das Geschirr in den Geschirrspüler geben. Die Taste **START/Pause** drücken und innerhalb von 4 Sek.. die Tür schließen; das Programm läuft automatisch weiter, wo es unterbrochen wurde.

VERSEHENTLICHE UNTERBRECHUNGEN

Wird während des Spülgangs die Gerätetür geöffnet, oder sollte ein Stromausfall stattfinden, wird der Spülgang unterbrochen. **NUR, WENN SIE die START/Pause-Taste DRÜCKEN** und die Tür innerhalb von 4 s schließen, läuft das Programm automatisch weiter, wo es unterbrochen wurde.

ENERGIESPARTIPPS

- Sofern man die Herstelleranweisungen beim Einsatz beachtet, **verbraucht das Waschen von Geschirr im Geschirrspüler in der Regel WENIGER ENERGIE und Wasser als Handspülen.**
- Um die Effizienz des Geschirrspülers zu maximieren, empfiehlt es sich, **das Spülprogramm bei voll beladenem Gerät zu starten.** Wenn der Geschirrspüler bis zur vom Hersteller angegebenen Kapazität beladen wird, hilft dies, Energie und Wasser zu sparen. Angaben über die korrekte Beladung von Geschirr finden Sie im Kapitel BELADEN DER KÖRBE. Bei Teilbeladung empfiehlt es sich, die speziellen Spülprogramme (Halbe Beladung / Zone Wash / Multizone) zu verwenden und nur die entsprechenden Körbe zu beladen. Bei einer fehlerhaften Beladung oder Überladung des Geschirrspülers könnten mehr Ressourcen verbraucht (z. B. Wasser, Energie und Zeit), der Geräuschpegel erhöht und die Reinigungs- und Trocknungsleistung verringert werden.
- Das manuelle Vorspülen von Geschirr führt zu erhöhtem Wasser- und Energieverbrauch und wird nicht empfohlen.

HYGIENE

Um Gerüche und Ablagerung, die sich in dem Geschirrspüler ansetzen können zu vermeiden, **bitte mindestens einmal monatlich ein Hochtemperaturprogramm laufen lassen.** Einen Teelöffel Spülmittel verwenden und ohne Geschirr laufen lassen, um Ihr Gerät zu reinigen.

FROSTSICHERHEIT

Steht das Gerät in einem frostgefährdeten Raum, so **muss es vollständig von Wasser entleert werden.** Wasserhahn schließen, Zu- und Ablaufschlauch lösen und das gesamte Wasser abpumpen. **Darauf achten, dass der Wasserenthärter mit gelöstem Regeneriersalz im Regeneriersalzbehälter gefüllt ist;** dies stellt einen wirksamen Geräteschutz gegen Temperaturen bis zu -20°C dar. Wenn das Gerät unter frostigen Bedingungen gelagert wurde, muss das Gerät vor dem ersten Spülgang **mindestens 24 Stundenlang** bei einer Umgebungstemperatur von min. 5 °C stehen bleiben.

PROGRAMMTABELLE

Pro-gramm	Programmbeschreibung	Trocken- phase	NaturalDry	Verfügbare Zusatzfunktionen *)	Programm- dauer (Std:Min)**)	Wasserver- brauch (Liter/ Zyklus)	Energiever- brauch (kWh/ Zyklus)
P1 Eco	Eco 50° - Das ECO-Programm eignet sich, um normal verschmutztes Geschirr zu reinigen. In Bezug auf den kombinierten Energie- und Wasserverbrauch ist es das effizienteste Programm, das auch zur Prüfung der Einhaltung der Ökodesign-Richtlinie verwendet wird.	✓	✓		4:00	9,5	0,64
P2 A	Auto Intensiv 65° - Automatisches Programm für stark verschmutztes Geschirr und Töpfe.	✓	✓		2:25-3:10	15,5-24,5	1,30-1,70
P3 A	Auto Gemischt 55° - Automatisches Programm für normal verschmutztes Geschirr mit angetrockneten Lebensmittelrückständen.	✓	✓		1:20-3:00	7,5-19,5	0,75-1,20
P4 A	Auto Schnell 50° - Automatisches Programm für normal und leicht verschmutztes Geschirr. Täglicher Zyklus, der optimale Reinigungs- und Trockenleistung in kürzerer Zeit garantiert.	✓	✓		1:00-1:50	7,5-15,5	0,70-1,10
P5	Schnell 45° - Das Programm wird für eine begrenzte Menge an leicht verschmutztem Geschirr ohne angetrocknete Lebensmittelrückstände empfohlen. Es umfasst keinen Trockengang.	-	✓		0:30-0:40	10-12	0,55-0,65
P6	Kristall 45° - Programm für empfindliches Geschirr, das empfindlicher auf hohe Temperaturen ist, zum Beispiel Gläser und Becher.	✓	✓		1:40-1:50	12,5-16,5	0,95-1,20
P7	Nachtspülen 55° - Geeignet für den Nachtbetrieb des Gerätes. Garantiert optimale Reinigungs- und Trockenleistung bei niedrigstem Lärmpegel.	✓	✓		3:50-4:10	10,5-14,5	0,80-1,15
P8	Desinfizieren 65° - Normal oder stark verschmutztes Geschirr mit zusätzlichem antibakteriellen Spülgang. Kann für die Wartung des Geschirrspülers verwendet werden.	✓	-		1:55-2:10	12-19	1,40-1,80
P9	Vorwäsche - Verwendet, um Geschirr einzuweichen, das später gespült werden soll. Für dieses Programm wird kein Spülmittel verwendet.	-	✓		0:12	4,5	0,10
P10	Selbstreinigend 65° - Programm, das für die Pflege des Geschirrspülers zu verwenden ist. Es ist nur bei LEEREM Geschirrspüler und mit speziellen Reinigungsmitteln für die Pflege des Geschirrspülers auszuführen.	-	-		1:15	11,0	1,10

Die ECO-Programmdaten sind Labormessdaten, die gemäß der europäischen Vorschrift EN 60436:2020 erfasst wurden. Hinweis für die Prüflabors: Informationen hinsichtlich der Bedingungen des EN-Vergleichstests sind unter nachfolgender Adresse anzufordern: dw_test_support@whirlpool.com. Eine Vorbehandlung des Geschirrs ist vor keinem Programm erforderlich. *) Nicht alle Optionen können gleichzeitig verwendet werden. **) Werte, die für andere Programme als das ECO-Programm angegeben werden, sind nur Richtwerte. Die aktuelle Zeit kann auf Grundlage von mehreren Faktoren, wie Temperatur und Druck des eintretenden Wassers, Raumtemperatur, Spülmittelmenge, Menge und Art der Beladung, Lastausgleich, zusätzlich gewählte Optionen und Sensoreichung variieren. Die Sensoreichung kann die Programmdauer bis zu 20 Min. erhöhen.

OPTIONEN UND FUNKTIONEN

OPTIONEN können nach Auswahl des Programms direkt durch Drücken der jeweiligen Taste gewählt bzw. abgewählt werden (falls vorhanden - die Anzeige leuchtet auf) (siehe BEDIENFELD). Wenn eine Option nicht mit dem ausgewählten Programm kompatibel ist (siehe PROGRAMMTABELLE), blinken die entsprechenden LED 3 Mal schnell und ein Piepton ertönt. Die Option wird nicht aktiviert. Eine Option kann Zeit, Wasser oder Stromverbrauch für das Programm ändern.

POWER CLEAN® - Mit den zusätzlichen Powerdrehen bietet diese Option ihm dafür vorgesehenen Bereich im Unterkorb einen intensiveren und stärkeren Spülvorgang. Diese Zusatzfunktion ist ideal zum Reinigen von Töpfen und Brättern (Beachten Sie bitte den Power Clean® Beladungsbereich).

HALBE FÜLLMENGE - Haben Sie nur wenig Geschirr zu spülen, wählen Sie HALBE FÜLLMENGE. Sie sparen Wasser, Strom oder Zeit, je nach gewähltem Programm.

Denken Sie daran, die Spülmittelmenge zu verringern.

EXTRA TROCKEN - Die höhere Temperatur während des letzten Spülgangs sowie die verlängerte Trockenphase gestatten eine verbesserte Trocknung. Die Option EXTRA TROCKEN verlängert die Programmdauer.

STARTVORWAHL - Der Programmstart kann um eine Zeit von 0:30 bis 24 Stunden verzögert werden.

1. Das Programm und die gewünschten Optionen auswählen. Die STARTVORWAHL-Taste (mehrfach) drücken, um den Programmstart zu verzögern. Einstellbar von 0:30 bis 24 Stunden. Sobald die 24-Stunden-Einstellung erreicht ist, drücken Sie noch einmal STARTVORWAHL, um die STARTVORWAHL-Funktion zu deaktivieren.
2. Drücken Sie die Taste START/Pause-Taste und schließen Sie die Tür innerhalb von 4 Sekunden: die Zeitschaltuhr beginnt mit der Rückzählung.
3. Nach Ablauf dieser Zeit, schaltet sich das Anzeigelicht aus und das Programm beginnt automatisch.

Bei bereits in Gang gesetztem Programm ist eine STARTVORWAHL nicht mehr möglich.

WASSERHAHN ZU - Alarm - Blinkt, wenn kein Wasser einströmt oder wenn der Wasserhahn zu ist.

LICHT AM BODEN - Eine auf den Boden projizierte LED zeigt an, dass der Geschirrspüler in Betrieb ist. Das Licht erlischt am Ende eines Programms. Diese Funktion ist standardmäßig aktiv, sie kann jedoch im „EINSTELLUNGSMENÜ“ deaktiviert werden.

NaturalDry - das ist ein Heißlufttrocknungssystem, das die Tür während/nach der Trockenphase automatisch öffnet, um täglich hervorragende Trockenleistung sicherzustellen. Die Tür öffnet sich bei einer für Ihre Küchenmöbel sicheren Temperatur, daher wird die Tür nicht geöffnet.

Als zusätzlicher Dampfschutz wird dem Geschirrspüler eine speziell entwickelte Schutzfolie beigelegt.

Für die Montage der Schutzfolie siehe INSTALLATIONSANLEITUNG. Diese Funktion ist standardmäßig aktiviert, aber sie kann in «EINSTELLUNGSMENÜ» deaktiviert werden.

ENTKALKEN - Alarm - Es wurden Kalkablagerungen auf Innenbauteilen des Geräts festgestellt. Prüfen Sie, ob die **Wasserhärteeinstellung** auf dem korrekten Wert und Salz im Salzbehälter vorhanden ist (siehe ERSTER GEBRAUCH). **Verwenden Sie dann ein Entkalkungsmittel** (die Marke WPro wird empfohlen) mit dem **Selbstreinigungsprogramm**. Nach einer erfolgreichen Entkalkung wird das Symbol nicht mehr angezeigt. Falls oben genannte Maßnahmen nicht ausgeführt werden, verschlechtert sich die Produktleistung. Die «Entkalken» Warnung beginnt zu blinken und der «des» Alarm erscheint auf dem Display. Wird weiter nicht unternommen, gestattet das Gerät nur den Start einer bestimmten Anzahl von Zyklen (während der «des» Alarmanzeige angegeben) und wird dann **GESPERRT**, um eine Beschädigung von Bauteilen zu vermeiden. **Nur das Selbstreinigungsprogramm ist verfügbar.** Die Ausführung einer vollständigen Entkalkung hebt die Sperre des Produktes auf. Im Fall extrem großer Kalkmengen kann es erforderlich sein, das Entkalken zweimal auszuführen, damit es wirkt.

ERKENNUNG - Wenn der Sensor den Grad der Verschmutzung erfasst, wird im Display eine Animation angezeigt (etwa 20 Minuten) und die Programmdauer wird aktualisiert. Sensing (Erkennung) erkennt die Stärke der Verschmutzung des Geschirrs und passt das Programm entsprechend an. Es ist für alle Zyklen (ausgenommen Eco (Öko) verfügbar.

FAVORITEN-PROGRAMM - Das Favoriten-Programm kann gespeichert werden und ist einfach zugänglich. Finden Sie das Programm mit **ZURÜCK/WEITER** und drücken Sie dann die Favoriten-Programm-Taste 3 Sekunden lang.

KÖRBE BELADEN

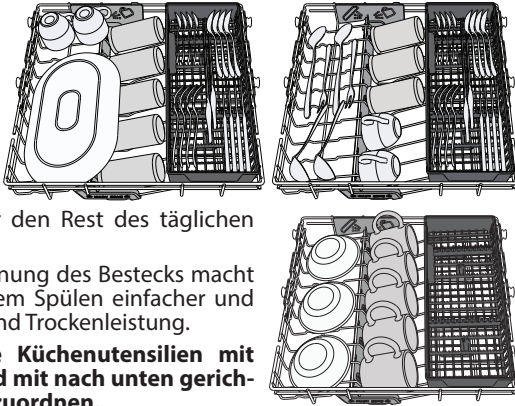
FASSUNGSVERMÖGEN: 14 Maßgedecke

OBERSTER KORB

Der oberste Korb bietet einen gezielten Reinigungsbereich für Schalen, Tassen, sogar große Teller und Besteck, die Sie normalerweise in die unteren Körbe laden würden, und schafft zusätzlichen Platz für den Rest des täglichen Geschirrs.

Eine getrennte Anordnung des Bestecks macht das Sortieren nach dem Spülen einfacher und verbessert die Spül- und Trockenleistung.

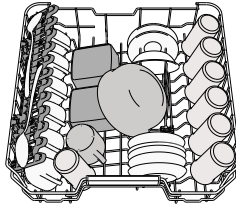
Messer und andere Küchenutensilien mit scharfen Spitzen sind mit nach unten gerichteten Schneiden einzuordnen.



OBERKORB

Hier sortieren Sie empfindliches und leichtes Geschirr ein: Gläser, Tassen, kleine Teller, flache Schüsseln. Der Oberkorb verfügt über klappbare Halterungen, die in vertikaler Stellung für Untertassen oder Dessertteller oder in einer tieferen Stellung für Schüsseln und sonstige Behältnisse verwendet werden können.

Sortierbeispiel für den Oberkorb)



Höheneinstellung des Oberkorbes

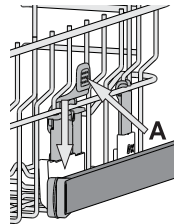
Der Oberkorb kann in der Höhe verstellt werden: stellen Sie ihn in die oberste Position, wenn Sie großes Geschirr in den Unterkorb einräumen wollen. Wenn Sie eher die klappbaren Bereiche nutzen wollen, dann stellen Sie ihn in die untere Position. Somit vermeiden Sie Zusammenstoßen mit dem Geschirr im Unterkorb.

Der Oberkorb ist mit einem **Oberkorb Höhenversteller** (siehe Abbildung) ausgestattet.

Ohne Drücken der Hebel kann er einfach durch Heben der Korbseiten angehoben werden, sobald der Korb stabil in seiner unteren Stellung ist.

Um den Korb zurück in die untere Stellung zu bringen, drücken Sie die Hebel **A** an den Seiten des Korbs und schieben Sie ihn nach unten.

Es empfiehlt sich, die Höhe des Oberkorbes bei leerem Korb zu regulieren. Heben oder senken Sie den Korb NIEMALS nur an einer Seite.

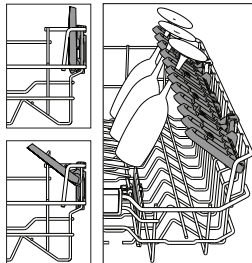


Klappbare Klappen mit verstellbarer position

Die seitlich, klappbaren Ablagen können ein- oder aufgeklappt werden, um die Anordnung des Geschirrs im Korb zu optimieren. Stielgläser können an den Ablagen stabilisiert werden, indem sie mit dem Stiel in die vorgesehene Aussparung gestellt werden.

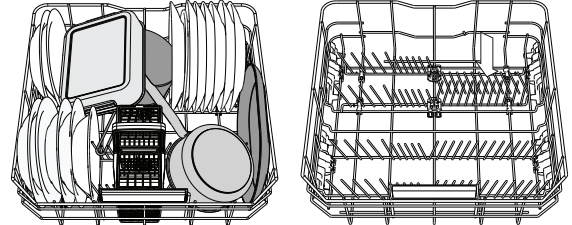
Je nach Modell:

- Zum Ausklappen der Ablagen, müssen diese nach oben geschoben und gedreht oder aus den Schnappern gelöst und nach unten gezogen werden.
- Zum Einklappen der Ablagen, müssen diese gedreht und nach unten geschoben oder nach oben gezogen und an den Schnappern befestigt werden.



UNTERKORB

Für Töpfe, Deckel, Teller, Salatschüsseln, Besteck usw. Große Teller und Deckel sollten idealerweise an die Seiten gelegt werden, um nicht mit dem Sprüharm in Kontakt zu kommen. Der Unterkorb verfügt über klappbare Ablagen, die in vertikaler Stellung für Teller oder in horizontaler (niedriger) Position für Pfannen und Salatschüsseln verwendet werden können



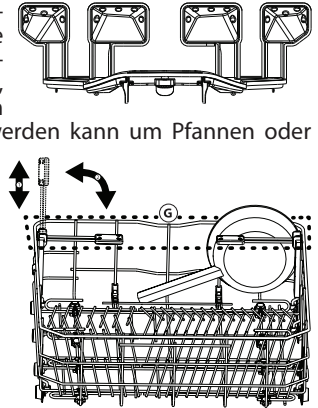
(Sortierbeispiel für den Unterkorb)

POWER CLEAN®

Bei Power Clean® sorgen spezielle Wasserdüsen hinten im Gerät für eine verstärkte Reinigung von stark verschmutztem Geschirr. Der Unterkorb hat eine Raumzone, eine spezielle Halterung zum Herausziehen an der Korbhinterseite, welche benutzt werden kann um Pfannen oder Backbleche in senkrechter Position zu halten, und so weniger Raum zu beanspruchen. Wenn die Töpfe/Bräter in Richtung Power Clean® eingelegt werden, bitte **POWER CLEAN®** auf der Bedienblende aktivieren.

Verwendung von Power Clean®:

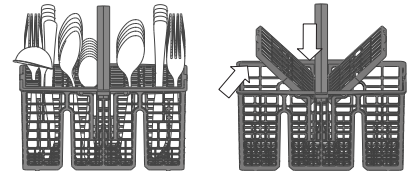
1. Passen Sie Power Clean®-Bereich **G** an, indem Sie die hinteren Tellerhalterungen herunterklappen, um Töpfe einzuladen.
2. Laden Sie Töpfe und Bräter senkrecht im Power Clean®-Bereich ein. Die Töpfe müssen mit der offenen Seite zu den Power-Sprühdüsen geneigt sein.



Besteckkorb

Er ist oben mit Gittern versehen, um das Besteck besser einzuordnen. Er darf nur im vorderen Teil des unteren Korbes eingesetzt werden.

Messer und andere Küchenutensilien mit scharfen Spitzen sind mit nach unten gerichteten Spitzen in den Besteckkorb einzuordnen oder waagrecht auf die Ablagen des oberen Geschirrkorbs zu legen.



PFLEGE UND WARTUNG

REINIGUNG DER FILTEREINHEIT

Die Filtereinheit regelmäßig reinigen, damit die Filter nicht verstopfen und das Abwasser korrekt abfließen kann.

Wenn die Filter beim Einsatz des Geschirrspülers verstopft sind oder falls Fremdkörper im Filtersystem oder in den Spülarmen gelangen, könnten Störungen im Gerät auftreten, was zu Leistungseinbußen, lautem Betrieb oder höherer Ressourcennutzung führt.

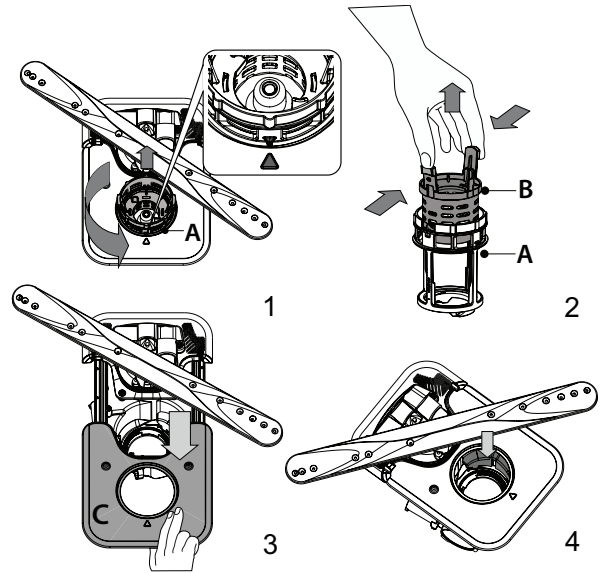
Die Filtereinheit setzt sich aus drei Filtern zusammen, die Spülwasser reinigen, von Speiseresten befreien und wieder in Umlauf bringen.

Der Geschirrspüler darf nie ohne Filtersiebe oder mit ausgehängten Filtern in Betrieb genommen werden.

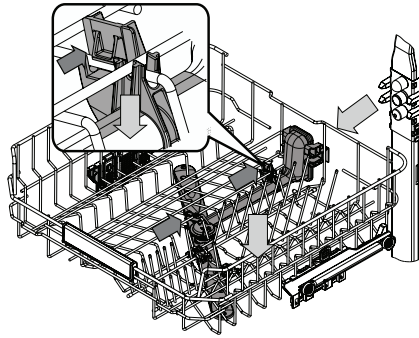
Kontrollieren Sie einmal monatlich oder nach 30 Zyklen die Filtersiebgruppe. Bei Bedarf ist diese sorgfältig unter laufendem Wasser auszuspülen. Nehmen Sie hierzu ein kleines Bürstchen (das nicht aus Metall sein darf) zu Hilfe. Gehen Sie wie folgt vor:

1. Drehen Sie das zylinderförmige Filtersieb **A** gegen den Uhrzeigersinn heraus (Abb. 1). **Beim Wiedereinbau des Filters müssen die beiden größer abgebildeten Dreiecke zueinander ausgerichtet sein.**
2. Ziehen Sie den Siebbecher **B** durch leichten Druck auf die seitlichen Flügel heraus (Abb. 2).
3. Nehmen Sie den Stahl-Siebteller **C** ab (Abb. 3).
4. Falls Sie Fremdkörper (wie Glasscherben, Porzellan, Knochen, Fruchtsamen usw.) finden, **entfernen Sie diese bitte sorgfältig.**
5. Kontrollieren Sie den Hohlraum und befreien Sie diesen von eventuellen Speiseresten. Das Spülpumpenschutzteil (siehe Pfeil) **NICHT ABGE-NOMMEN WERDEN** (Abb. 4).

Setzen Sie die Filtereinheit nach der Reinigung der Filtersiebe wieder korrekt in ihren Sitz ein, dies ist äußerst wichtig, um eine ordnungsgemäße Betriebsweise des Geschirrspülers zu gewährleisten.



REINIGUNG DER SPRÜHARME

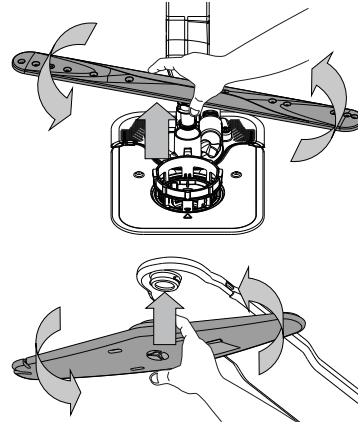


Es kann vorkommen, dass Speisereste an den Sprüharmen hängen bleiben und die Wasserdüsen verstopfen. Prüfen Sie die Sprüharme daher regelmäßig und reinigen Sie sie bei Bedarf mit einer Kunststoffbürste.

Zum Entfernen des oberen Sprüharms müssen Sie diesen zusammen mit dem Anschlussstück entfernen.

Der oberste Korb verfügt über eine befestigte Spüleleitung, bei

der alle Spüldüsen nach oben weisen. Zum Reinigen können Sie den Korb herausziehen und mit einer Pinzette Gegenstände entfernen, die sich eventuell in den Düsen abgelagert haben.



Um den unteren Sprüharm abzunehmen, diesen nach oben ziehen und gegen den Uhrzeigersinn drehen. Der Sprüharm wird wieder eingebaut, indem er nach unten gezogen und im Uhrzeigersinn gedreht wird.

Um den oberen Sprüharm abzunehmen, diesen nach oben drücken und gegen den Uhrzeigersinn drehen. Der Sprüharm wird wieder eingebaut, indem er nach oben gezogen und im Uhrzeigersinn gedreht wird.

LÖSEN VON PROBLEMEN

Falls Ihr Geschirrspüler nicht richtig funktioniert, versuchen Sie, das Problem anhand der folgenden Liste zu beheben. Für andere Fehler oder Probleme wenden Sie sich bitte an den autorisierten Kundendienst, dessen Kontaktdaten im Garantieheft aufgeführt sind. Ersatzteile werden für einen Zeitraum von entweder bis zu 7 oder bis zu 10 Jahren verfügbar sein, je nach den spezifischen Anforderungen der Verordnung.

STÖRUNGEN	MÖGLICHE URSACHEN	LÖSUNG
Regeneriersalzanzeige leuchtet	Der Salzbehälter ist fast leer.	Befüllen Sie den Behälter mit Salz (weitere Informationen – siehe SALZBEHÄLTER BEFÜLLEN). Prüfen Sie die bei Bedarf die Wasserhärteeinstellung (siehe WASSERHÄRTE-TABELLE).
Regeneriersalzanzeige blinkt	Salzbehälter ist leer.	Den Behälter sobald wie möglich mit Salz nachfüllen. Der Gebrauch des Geräts ohne Salz kann Schäden an seinen Innenbauteilen verursachen.
Klarspüleranzeige leuchtet auf oder blinkt	Klarspülbehälter ist leer. (Nach dem Auffüllen kann es kurze Zeit dauern, bis die Klarspüleranzeige erlischt).	Befüllen Sie den Behälter mit Klarspüler (weitere Informationen – siehe KLARSPÜLERSPENDER AUF-FÜLLEN).
Entkalken-Anzeige leuchtet auf oder blinkt; der „DES“ Alarm wird angezeigt.	Kalk lagert sich an Innenbauteilen des Geräts ab.	Entkalken Sie das Gerät sofort mit dem Selbstreinigend-Programm und einem handelsüblichen Entkalkungsmittel (siehe OPTIONEN UND FUNKTIONEN). Befüllen Sie den Behälter mit Salz. Prüfen Sie die Wasserhärteeinstellung. Wird das Gerät nicht entkalkt, funktioniert es nicht mehr.
Die Spülmaschine startet nicht oder reagiert nicht auf die Bedienungseingaben.	Das Gerät wurde nicht richtig eingesteckt.	Schließen Sie den Netzstecker an.
	Stromausfall.	Aus Sicherheitsgründen wird der Geschirrspüler nicht automatisch neu gestartet, wenn die Stromversorgung wiederhergestellt wird. Öffnen Sie die Tür des Geschirrspülers, drücken Sie die Taste START/Pause und schließen Sie die Tür erneut innerhalb von 4 Sekunden.
	Die Gerätetür schließt nicht. NaturalDry Pin ist nicht eingezogen.	Drücken Sie die Tür energisch, bis ein „Klicklaut“ zu hören ist.
	Ein Spülgang wird unterbrochen, wenn die Tür mehr als 4 Sekunden lang geöffnet wird.	START/Pause drücken und die Tür innerhalb von 4 Sekunden schließen.
	Das Bedienfeld reagiert nicht oder F6 E1 wird angezeigt.	Schalten Sie das Gerät durch das Drücken der EIN-AUS/Reset -Taste aus und nach etwa einer Minute wieder ein und starten Sie das Programm neu. Wenn das Problem weiterhin besteht, ziehen Sie den Stecker des Geräts für 1 Minute ab und stecken Sie ihn dann wieder ein.

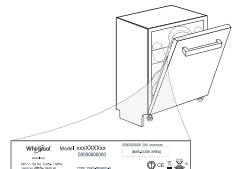
STÖRUNGEN	MÖGLICHE URSACHEN	LÖSUNG
Der Geschirrspüler pumpt das Wasser nicht ab. Das Display zeigt: F7 E3 oder F9 E1	Im Filtersieb haben sich Speisereste oder Kalk angesammelt.	Reinigen Sie den Filter und entkalken Sie das Gerät (<i>siehe REINIGUNG DER FILTEREINHEIT und ENTKALKEN</i>).
	Ablaufschlauch ist geknickt.	Den Ablaufschlauch prüfen (<i>siehe INSTALLATIONSANWEISUNG</i>).
	Der Ablauf des Spülbeckens ist verstopft.	Den Ablauf des Spülbeckens reinigen.
Der Geschirrspüler ist zu laut.	Das Geschirr schlägt aneinander.	Positionieren Sie das Geschirr korrekt (<i>siehe KÖRBE BELADEN</i>).
	Es ist zu viel Schaum vorhanden.	Das Spülmittel wurde nicht richtig dosiert oder ist für Geschirrspüler ungeeignet (<i>siehe EINFÜLLEN DES SPÜLMITTELS</i>). Starten Sie das laufende Programm durch Ausschalten des Geschirrspülers neu. Schalten Sie das Gerät wieder ein, wählen Sie ein neues Programm, drücken Sie START/Pause und schließen Sie die Tür innerhalb von 4 Sekunden. Kein Spülmittel zufügen.
	Das Geschirr wurde nicht korrekt eingeräumt.	Positionieren Sie das Geschirr korrekt (<i>siehe KÖRBE BELADEN</i>).
	Im Filtersieb haben sich Speisereste oder Kalk angesammelt.	Die Filtereinheit reinigen (<i>siehe PFLEGE UND WARTUNG</i>).
Das Geschirr ist nicht sauber geworden.	Das Geschirr wurde nicht korrekt eingeräumt.	Positionieren Sie das Geschirr korrekt (<i>siehe KÖRBE BELADEN</i>).
	Sprüharme können nicht frei drehen, werden durch das Geschirr blockiert.	Positionieren Sie das Geschirr korrekt (<i>siehe KÖRBE BELADEN</i>). Prüfen, dass der obere Korb in der richtigen Position ist und bei Bedarf einstellen (anheben).
	Das Spülprogramm ist zu schwach.	Ein geeignetes Spülprogramm wählen (<i>siehe PROGRAMMTABELLE</i>).
	Es ist zu viel Schaum vorhanden.	Das Spülmittel wurde nicht richtig dosiert oder ist für Geschirrspüler ungeeignet (<i>siehe EINFÜLLEN DES SPÜLMITTELS</i>).
	Der Stöpsel des Klarspülerbehälters wurde nicht korrekt geschlossen.	Sicherstellen, dass der Stöpsel des Klarspülerbehälters geschlossen ist.
	Im Filtersieb haben sich Speisereste oder Kalk angesammelt.	Den Filter reinigen und das Gerät entkalken (<i>siehe REINIGUNG DER FILTEREINHEIT</i>).
Der Geschirrspüler läßt kein Wasser. Am Display erscheint: H2O und  leuchtet; ein akustischer Alarm ertönt.	Kein Wasser im Wassernetz oder zugezogener Wasserhahn.	Sicherstellen, dass Wasser im Wassernetz ist und der Wasserhahn offen ist.
	Der Wasserzulaufschlauch ist geknickt.	Den Zulaufschlauch prüfen (<i>siehe INSTALLATION</i>). Öffnen Sie die Tür des Geschirrspülers, drücken Sie die Taste START/Pause und schließen Sie die Tür erneut innerhalb von 4 Sekunden.
	Das Sieb im Wasserzulaufschlauch ist verstopft. Es muss gereinigt werden.	Das Sieb im Wasserzulaufschlauch kontrollieren und reinigen. Öffnen Sie die Tür des Geschirrspülers, drücken Sie die Taste START/Pause und schließen Sie die Tür erneut innerhalb von 4 Sekunden.
Der Geschirrspüler beendet das Programm vorzeitig. Am Display erscheint: F8 E3	Im Filtersieb haben sich Speisereste oder Kalk angesammelt.	Reinigen Sie den Filter und entkalken Sie das Gerät (<i>siehe REINIGUNG DER FILTEREINHEIT und ENTKALKEN</i>).
	Ablaufschlauch zu niedrig positioniert oder Siphonwirkung in die Hauskanalisation.	Prüfen, ob das Ende des Ablaufschlauchs auf der richtigen Höhe positioniert ist (<i>siehe INSTALLATION</i>). Prüfen, ob eine Siphonwirkung in die Hauskanalisation vorliegt, installieren Sie bei Bedarf einen Vakuumbrecher/ein Belüftungsventil.
	Es ist zu viel Schaum vorhanden.	Das Spülmittel wurde nicht richtig dosiert oder ist für Geschirrspüler ungeeignet (<i>siehe EINFÜLLEN DES SPÜLMITTELS</i>).
	Luft im Wasserzulauf.	Wasserzulauf auf Lecks oder sonstige Störungen mit Lufteintritt prüfen.
Das Geschirr ist nicht gut getrocknet.	Kein Klarspüler vorhanden oder die Dosierung ist zu niedrig.	Stellen Sie sicher, dass der Klarspülerspender gefüllt ist (<i>siehe KLARSPÜLERSPENDER AUFFÜLLEN</i>). Die Verwendung von multifunktionalen Tabs allein liefert nicht so gute Trocknungsergebnisse wie die Verwendung von flüssigem Klarspüler.
	Das Geschirr wurde ausgeräumt, nachdem die Tür automatisch geöffnet wurde, jedoch vor dem tatsächlichen Programmende.	Stellen Sie sicher, dass das Programm beendet wurde, bevor Sie das Geschirr ausräumen (<i>siehe TÄGLICHER GEBRAUCH</i>). Für noch bessere Trocknungsergebnisse wird empfohlen, das Geschirr bei geöffneter Tür weitere 15 Minuten nach Programmende im Geschirrspüler zu lassen.
	Das Geschirr sitzt zu flach.	Wenn Sie Wasserpfützen in Hohlräumen von Tassen, Bechern oder Schüsseln beobachten, versuchen Sie das Geschirr (insbesondere im oberen Korb) mit mehr Neigung zu laden. Damit kann mehr Wasser abtropfen, bevor das Trocknen beginnt.
	Das gewählte Programm hat keinen Trockengang.	Bitte prüfen Sie in der <i>PROGRAMMTABELLE</i> , ob das ausgewählte Programm einen Trockengang vorsieht. Programme ohne Trockengang können nicht das gewünschte Trocknungsergebnis bringen. Es wird daher empfohlen, die Programmauswahl auf ein Programm zu ändern, das über einen Trockengang verfügt.
Das Geschirr besteht aus Antihafmaterial oder aus Kunststoff.	Einige auf dieser Art von Material verbleibende Wassertropfen sind normal.	
Geschirr und Gläser haben blaue Schlieren oder bläuliche Schattierungen.	Klarspüler wurde zu hoch dosiert.	Dosierung niedriger einstellen.
Geschirr und Gläser sind mit Kalkablagerungen oder einem weißen Belag bedeckt.	Salzbehälter ist leer.	Den Behälter sobald wie möglich mit Salz nachfüllen. Der Gebrauch des Geräts ohne Salz kann Schäden an seinen Innenbauteilen verursachen.
	Die Wasserhärteeinstellung ist zu niedrig.	Die Einstellung erhöhen (<i>siehe WASSERHÄRTETABELLE</i>).
	Der Deckel des Salzbehälters ist nicht richtig geschlossen.	Salzbehälterdeckel prüfen und verschließen.
Der Klarspülerbehälter ist leer oder die Klarspülerdosierung ist unzureichend.	Befüllen Sie den Behälter mit Klarspüler und prüfen Sie die Dosierungseinstellung (weitere Informationen - <i>siehe KLARSPÜLERSPENDER AUFFÜLLEN</i>).	
Geschirrspüler zeigt F8 E5 an	Ventil ist blockiert oder fehlerhaft.	Den Wasserhahn schließen, sofern möglich. Schalten Sie die Stromversorgung nicht aus. Kundendienst kontaktieren.



Firmenrichtlinien, Standarddokumentation, Ersatzteilbestellung und zusätzliche Produktinformationen finden Sie unter:

- Verwenden Sie den QR-Code und besuchen Sie unsere Internetseite docs.whirlpool.eu/docs
- Besuchen Sie unsere Internetseite: parts-selfservice.europeanappliances.com
- Alternativ können Sie **unseren Kundendienst kontaktieren** (Siehe Telefonnummer in dem Garantieheft). Wird unser Kundendienst kontaktiert, bitte die Codes auf dem Typenschild des Produkts angeben.

Die Modellinformation ist über den QR-Code auf der Energieverbrauchskennzeichnung aufrufbar. Die Kennzeichnung enthält auch die Modellnummer, die den Zugang zum Verzeichnisportal unter <https://eprel.ec.europa.eu> ermöglicht.





GRACIAS POR COMPRAR UN PRODUCTO WHIRLPOOL.
Si desea recibir un servicio más completo, registre su aparato en: www.whirlpool.eu/register

Antes de usar el aparato, lea atentamente las instrucciones de seguridad e instalación. Más información sobre su producto disponible en el sitio web: docs.whirlpool.eu/docs



Después de la instalación, recuerde retirar todas las piezas de protección para el transporte del lavavajillas.

PANEL DE CONTROL

1. Botón de **ENCENDER-APAGAR/Restablecer** con indicador luminoso
2. Botón **programa ANTERIOR**
3. Botón **programa SIGUIENTE**
4. Botón de **programa FAVORITO** con indicador luminoso
5. Indicador luminoso de depósito de **sal** vacío
6. Indicador luminoso de depósito de **abrillantador** vacío
7. Indicador luminoso **DESCALCIFICACIÓN**
8. Indicador luminoso de **grifo cerrado**
9. **Pantalla**
10. **Número de programa** e indicador de **tiempo restante**



11. Botón de **opción Power Clean®** con indicador luminoso
12. Botón de **opción de Media Carga** con indicador luminoso/Ajustes - pres. 3 s
13. Botón de **opción Secado Extra** con indicador luminoso
14. Botón de **opción Aplazamiento** con indicador luminoso
15. Botón de **INICIO/Pausa** con indicador luminoso

PRIMER USO

AJUSTES MENÚ

1. Encienda el aparato pulsando el botón **ENCENDER-APAGAR** (⏻).
2. Mantenga pulsado el botón de **Ajustes** (⚙️) (Media Carga (⏻)) durante 3 segundos, hasta que oiga una señal acústica y la pantalla muestre "SET".
3. Después de un segundo se mostrará el primer ajuste disponible (letra, "h").
4. Pulse **ANTERIOR**/**SIGUIENTE** para desplazarse por la lista de ajustes disponibles (véase la tabla siguiente) y, a continuación, pulse **INICIO/Pausa** (▶️) para ver y cambiar el valor del ajuste actualmente seleccionado.
5. Pulse **ANTERIOR**/**SIGUIENTE** para cambiar el valor y, a continuación, pulse **INICIO/Pausa** (▶️) para guardar el nuevo valor y volver al menú principal.
6. Para cambiar otro ajuste, repita los puntos 4 y 5.
7. Pulse **ENCENDER-APAGAR** (⏻) o espere 30 segundos para salir del menú.

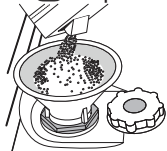
LETRA	AJUSTE	VALORES (Por defecto - en negrita)
h	Nivel de dureza del agua (consulte "AJUSTE DE LA DUREZA DEL AGUA" y "TABLA DE DUREZA DEL AGUA")	1 2 3 4 5
h	Nivel del abrillantador (consulte "AJUSTE DE LA DOSIS DE ABRILLANTADOR")	0 1 2 3 4 5
h	NaturalDry (consulte "OPCIONES Y FUNCIONES") "1" = Encendido, "0" = Apagado	1 0
h	Luz en el suelo (consulte "OPCIONES Y FUNCIONES") "1" = Encendido, "0" = Apagado	1 0
h	Sonido "1" = Encendido, "0" = Apagado	1 0
h	Ajustes de fábrica Pulse INICIO/Pausa para restablecer los valores de fábrica de todos los ajustes incluidos en el menú de configuración.	-

LLENADO DEL DEPÓSITO DE SAL

El uso de sal evita la formación de INCRUSTACIONES DE CAL en la vajilla y en los componentes funcionales de la máquina.

El depósito de sal se encuentra en la parte inferior del lavavajillas (bajo la rejilla inferior del lado izquierdo).

- Es obligatorio que el **depósito de sal no esté nunca vacío**.
- Es importante ajustar la dureza del agua.
- La sal debe llenarse cuando el indicador luminoso de **RECARGA DE SAL** (S) del panel de control esté encendido.



1. Retire la bandeja inferior y desenrosque el tapón del depósito (en sentido antihorario).
2. Coloque el embudo (consulte figura) y llene el depósito de sal hasta el borde (aproximadamente 0,5 kg); puede derramarse un poco de agua.
3. **Pasos a seguir solo la primera vez: llene el depósito de sal con agua.**

4. Retire el embudo y limpie cualquier residuo de sal del orificio. Asegúrese de que el tapón esté bien cerrado, de modo que el detergente no pueda entrar en el depósito durante el programa de lavado (esto podría estropear irremisiblemente el ablandador del agua).

Ejecute un programa cada vez que termine de rellenar el depósito de sal para evitar la corrosión.

Ajuste de la dureza del agua

Para que el ablandador del agua funcione a la perfección, es esencial que la configuración de la dureza del agua se base en la dureza real del agua de su casa. Su suministrador de agua local le puede proporcionar esta información. El ajuste de fábrica es "3". Consulte "TABLA DE DUREZA DEL AGUA".

Tabla de dureza del agua

Nivel	°dH Niveles Alemanes	°fH Niveles Franceses	°Clark Niveles Ingleses
1 (blanda)	0 - 6	0 - 10	0 - 7
2 (media)	7 - 11	11 - 20	8 - 14
3 (normal)	12 - 16	21 - 29	15 - 20
4 (dura)	17 - 34	30 - 60	21 - 42
5 (muy dura)	35 - 50	61 - 90	43 - 62

Para cambiarlo, siga las instrucciones del apartado "AJUSTES MENÚ".

Utilice solamente sal fabricada específicamente para lavavajillas.

Cuando haya echado la sal dentro del depósito, el indicador luminoso de **RECARGA DE SAL** se apagará.

Si el depósito de sal no se llena, el ablandador del agua y la resistencia pueden sufrir daños como resultado de la acumulación de incrustaciones de cal.

Se recomienda utilizar sal con cualquier tipo de detergente para lavavajillas.

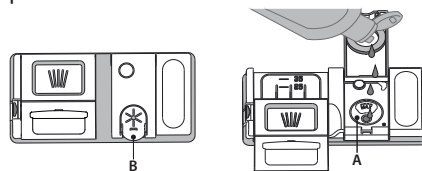
SISTEMA DE ABLANDAMIENTO DE AGUA

El ablandador del agua reduce automáticamente la dureza del agua, evitando así la acumulación de incrustaciones en el calentador y permitiendo también una mayor eficiencia del lavado. **Este sistema se regenera con sal, por lo que es necesario rellenar el depósito de sal cuando está vacío.** La frecuencia de la regeneración depende del ajuste del nivel de dureza del agua. La regeneración se produce una vez cada **4-6** ciclos Eco con la dureza del agua ajustada en el nivel **3**. El proceso de regeneración se produce al principio del ciclo con agua fresca adicional.

- Una regeneración consume: ~3 l de agua;
- Añade hasta 5 minutos adicionales al ciclo;
- Consume menos de 0,005 kWh de energía.

LLENADO DEL DISPENSADOR DEL ABRILLANTADOR

El abrillantador facilita el SECADO de la vajilla. El dispensador de abrillantador **A** se debe rellenar cuando el indicador luminoso **ABRILLANTADOR BAJO** (S) del panel de control se encienda.



1. Abra el dispensador **B** pulsando y subiendo la lengüeta de la cubierta.
2. Introduzca el abrillantador con cuidado como máximo hasta la última marca (110 ml) de referencia del depósito, evitando que se derrame.

Si se derrama, limpie el derrame inmediatamente con un paño seco.

3. Pulse la cubierta hacia abajo hasta que oiga un «clic» para cerrarla. NUNCA eche el abrillantador directamente en la cuba.

Ajuste de la dosis de abrillantador

Si los resultados del secado no le satisfacen totalmente, puede ajustar la cantidad de abrillantador utilizada. Para cambiarlo, siga las instrucciones del apartado "AJUSTES MENÚ".

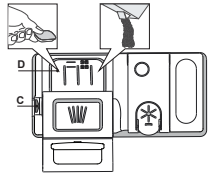
Si se selecciona el nivel de abrillantador **CERO**, no se suministrará abrillantador. El indicador luminoso de **ABRILLANTADOR BAJO** no se encenderá si el abrillantador se termina.

Se pueden configurar **6** niveles como máximo según el modelo de lavavajillas.

- Si ve manchas azuladas en la vajilla, seleccione un número bajo (0-3).
- Si hay gotas de agua o incrustaciones de cal en la vajilla, seleccione un número alto (4-5).

RELLENAR EL DISPENSADOR DE DETERGENTE

Para abrir el dispensador de detergente utilice el mecanismo de apertura C. Introduzca el detergente solo en el dispensador D seco. Eche la cantidad de detergente para el prelavado directamente dentro de la cuba.



1. Cuando dosifique el detergente, consulte la información mencionada anteriormente para añadir la cantidad correcta. Dentro del dispensador **D** hay indicaciones para ayudarle a dosificar el detergente.
2. Retire los restos de detergente de los bordes del dispensador y cierre la tapa hasta oír un clic.
3. Cierre la tapa del dispensador de detergente levantándola hasta que el mecanismo de cierre quede bien fijado.

USO DIARIO

1. COMPROBACIÓN DE LA CONEXIÓN DE AGUA

Compruebe que el lavavajillas esté conectado al suministro de agua y que el grifo esté abierto.

2. ENCENDIDO DEL LAVAVAJILLAS

Abra la puerta y pulse el botón **ENCENDER/APAGAR**.

3. CARGA DE LAS BANDEJAS (consulte LLENADO DEL LAVAVAJILLAS).

4. LLENADO DEL DISPENSADOR DE DETERGENTE

5. ESCOGER EL PROGRAMA Y PERSONALIZAR EL CICLO

Seleccione el programa más apropiado según el tipo de vajilla y el nivel de suciedad (consulte DESCRIPCIÓN DE PROGRAMAS) pulsando los botones **ANTERIOR/SIGUIENTE**.

Seleccione las opciones deseadas (consulte OPCIONES Y FUNCIONES). No todas las opciones son compatibles con todos los programas.

6. INICIO

Inicie el ciclo de lavado pulsando el botón **INICIO/Pausa** y cerrando la puerta en un plazo de 4 seg. Cuando el programa se inicia se oye una señal acústica. Si la puerta no se ha cerrado en un plazo de 4 seg, suena la alarma. En este caso, abra la puerta, pulse el botón **INICIO/Pausa** y vuelva a cerrar la puerta en un plazo de 4 segundos.

7. FINALIZACIÓN DEL CICLO DE LAVADO

El final del ciclo lavado se indica mediante un sonido y la pantalla muestra la palabra **END [FIN]**. Abra la puerta y apague el aparato pulsando el botón **ENCENDER/APAGAR**.

Espere unos minutos antes de retirar la vajilla, para evitar quemaduras. Descargue las bandejas, empezando por la inferior.

SUGERENCIAS Y CONSEJOS

CONSEJOS

Antes de cargar los cestos, elimine todos los residuos de comida de la vajilla y vacíe los vasos. **No es necesario aclarar previamente con agua corriente.** Coloque la vajilla de tal modo que quede bien sujeta y no se vuelque; y coloque los recipientes con las bocas hacia abajo y las partes cóncavas/convexas en posición oblicua, permitiendo que el agua llegue a todas las superficies y fluya libremente.

Advertencia: tapas, mangos, bandejas y sartenes no deben impedir que los brazos aspersores giren.

Coloque cualquier objeto pequeño en el canastillo para cuchillería. La vajilla y los utensilios muy sucios se deberían colocar en la bandeja inferior porque en este sector los aspersores de agua son más resistentes y permiten un rendimiento de lavado superior.

Una vez cargado el aparato, asegúrese de que los brazos aspersores puedan girar libremente.

VAJILLA INADECUADA

- Vajilla y cubiertos de madera.
- Cristalería con adornos delicados, artesanía y vajilla antigua. Los adornos no son resistentes.
- Partes de material sintético que no resistan altas temperaturas.
- Vajilla de cobre y latón.
- Vajilla sucia de ceniza, cera, grasa lubricante o tinta.

Los colores de los adornos del cristal y las piezas de aluminio/plata pueden cambiar y descolorarse durante el proceso de lavado. Algunos tipos de vidrios (p. ej. los objetos de cristal) también pueden volverse opacos después de varios ciclos de lavado.

DAÑOS A LA CRISTALERÍA Y A LA VAJILLA

- Utilice solo cristalería y porcelana garantizadas por el fabricante como aptas para lavavajillas.
- Utilice un detergente delicado adecuado para la vajilla.
- Saque la cristalería y la cubtería del lavavajillas inmediatamente después de la finalización del ciclo de lavado.

El dispensador de detergente se abre automáticamente en el momento adecuado según el programa.

UEI uso de detergente no diseñado para lavavajillas puede provocar fallos de funcionamiento o daños en el aparato.

MODIFICACIÓN DE UN PROGRAMA EN CURSO

Si se ha equivocado al seleccionar el programa, se puede cambiar, siempre que acabe de empezar. **REINICIAR** la máquina: mantenga pulsado el botón **ENCENDER/APAGAR** durante más de 3 segundos, la máquina se apagará.

El tablero mostrará "0:01". Cierre la puerta y espere a que termine el ciclo de desagüe (1 minuto aproximadamente). Abra la puerta, vuelva a encender la lavadora utilizando el botón de **ENCENDER/APAGAR** y seleccione el nuevo ciclo de lavado y las opciones. Inicie el ciclo de lavado pulsando el botón **INICIO/Pausa** y cerrando la puerta en 4 segundos.

AÑADIR VAJILLA EXTRA

Sin apagar la máquina, abra primero ligeramente la puerta para evitar que el agua salpique (el LED de **INICIO/Pausa** comienza a parpadear) (**Precaución: ¡vapor caliente!**) y coloque la vajilla dentro del lavavajillas. Cierre la puerta y pulse el botón de **INICIO/Pausa** y cierre la puerta en un plazo de 4 seg, el ciclo se reanuda desde donde se interrumpió.

INTERRUPCIONES ACCIDENTALES

Si se abre la puerta durante el ciclo de lavado, o si hay un corte de corriente, el ciclo se detiene. Cierre la puerta y **SOLO SI PRESIONA** el botón **INICIO/Pausa** y cierra la puerta en un plazo de 4 seg, el ciclo se reanuda desde donde se interrumpió.

CONSEJOS SOBRE AHORRO ENERGÉTICO

- Si el lavavajillas doméstico se utiliza siguiendo las instrucciones del fabricante, **lavar platos en el lavavajillas suele consumir MENOS ENERGÍA y agua que el lavado a mano.**
- Para maximizar la eficiencia del lavavajillas, **se recomienda iniciar el ciclo de lavado cuando el lavavajillas esté totalmente cargado.** Cargar el lavavajillas doméstico hasta la capacidad indicada por el fabricante contribuirá a ahorrar energía y agua. Puede encontrar información sobre la carga correcta de la vajilla en el capítulo CARGA DE LAS CESTAS. En caso de carga parcial, se recomienda utilizar las opciones de lavado específicas si están disponibles (Media carga/ Zone Wash/ Multizonas), llenando solo las cestas seleccionadas. La carga incorrecta o excesiva del lavavajillas puede aumentar el consumo de recursos (como el agua, la energía y el tiempo, así como el nivel de ruido), reduciendo el rendimiento de lavado y de secado.
- El preclarado manual de la vajilla conlleva un mayor consumo de agua y energía y no está recomendado.

HIGIENE

Para evitar malos olores y sedimentos que se pueden acumular en el lavavajillas, **ejecute un programa a alta temperatura al menos una vez al mes.** Utilice una cucharadita de café de detergente y ejecútelo sin carga para limpiar el aparato.

RESISTENCIA A LAS HELADAS

Si se va a colocar el electrodoméstico en un lugar con riesgo de heladas, **debe desagüarse completamente.** Cierre la llave del agua, retire los tubos de entrada y de salida y deje que desagüe completamente. **Asegúrese de que el descalcificador esté lleno de sal regeneradora disuelta en el depósito de sal** para proteger el electrodoméstico de temperaturas de hasta -20 °C.

Si el aparato se ha almacenado en condiciones de heladas, debe permanecer a una temperatura ambiente de mín. 5°C durante **al menos 24 horas** antes de la primera puesta en marcha.

TABLA DE PROGRAMAS

Programa	Descripción de programas	Fase de secado	NaturalDry	Opciones disponibles *)	Duración del programa de lavado (h:min)**)	Consumo de agua (litros/ciclo)	Consumo de energía (kWh/ciclo)
P1 Eco	Eco 50° - Programa Eco es adecuado para lavar utensilios con suciedad normal, para este uso es el programa más eficiente en términos de consumo combinado de energía y agua, y se utiliza para valorar el cumplimiento con la legislación de Ecodiseño de la UE.	✓	✓		4:00	9,5	0,64
P2	Auto Intensivo 65° - Programa automático para vajillas y utensilios muy sucios.	✓	✓		2:25-3:10	15,5-24,5	1,30-1,70
P3	Auto Mezclado 55° - Programa automático para vajilla normalmente sucia con restos de comida seca.	✓	✓		1:20-3:00	7,5-19,5	0,75-1,20
P4	Auto Rápido 50° - Programa automático para vajilla con suciedad normal y ligera. El ciclo diario que garantiza un rendimiento de limpieza y secado óptimos en poco tiempo.	✓	✓		1:00-1:50	7,5-15,5	0,70-1,10
P5	Rápido 45° - Este programa se recomienda para una cantidad limitada de vajilla poco sucia y sin restos de comida seca. No incluye fase de secado.	-	✓		0:30-0:40	10-12	0,55-0,65
P6	Cristal 45° - Programa para artículos delicados, que son más sensibles a las temperaturas altas, por ejemplo vasos y tazas.	✓	✓		1:40-1:50	12,5-16,5	0,95-1,20
P7	Silencioso 55° - Adecuado para hacer funcionar el aparato de noche. Garantiza una limpieza y un secado óptimos con las más bajas emisiones de ruido.	✓	✓		3:50-4:10	10,5-14,5	0,80-1,15
P8	Desinfección 65° - Vajilla con suciedad normal o muy sucia, con acción antibacteriana suplementaria. Puede utilizarse para realizar el mantenimiento del lavavajillas.	✓	-		1:55-2:10	12-19	1,40-1,80
P9	Prelavado - Se utiliza para remojar la vajilla que planea lavar más tarde. Con este programa no se debe utilizar detergente.	-	✓		0:12	4,5	0,10
P10	Autolimpieza 65° - Programa para realizar el mantenimiento del lavavajillas. Solo debe llevarse a cabo cuando el lavavajillas esté VACÍO usando detergentes específicos diseñados para el mantenimiento de lavavajillas.	-	-		1:15	11,0	1,10

Los datos del programa ECO se miden bajo condiciones de laboratorio de conformidad con la Norma europea EN 60436:2020. Nota para los laboratorios de pruebas: para obtener información detallada sobre las condiciones de la prueba comparativa EN, escribir a la siguiente dirección: dw_test_support@whirlpool.com

No es necesario ningún tratamiento previo de la vajilla antes de ninguno de los programas.

*) No todas las opciones se pueden utilizar simultáneamente.

**) Los valores indicados para los programas distintos al programa Eco son indicativos. El tiempo real puede variar dependiendo de muchos factores como la temperatura y la presión del agua de entrada, la temperatura ambiente, la cantidad de detergente, la cantidad y el tipo de carga, la colocación de la carga, las opciones adicionales seleccionadas y la calibración del sensor. La calibración del sensor puede incrementar la duración del programa hasta 20 min.

OPCIONES Y FUNCIONES

Las OPCIONES pueden seleccionarse/deseleccionarse, después de elegir el programa, directamente pulsando el botón correspondiente (si está disponible - el indicador se enciende) (ver PANEL DE CONTROL). Si una opción no es compatible con el programa seleccionado (ver TABLA DE PROGRAMAS), el led correspondiente parpadea rápidamente 3 veces y suenan unos pitidos. La opción no se habilitará. Una opción puede cambiar el tiempo o el consumo de agua o energía para el programa.

POWER CLEAN® - Gracias a los chorros suplementarios, esta opción proporciona una limpieza más intensa y enérgica en el cesto inferior, en el área específica. Esta opción se recomienda para lavar ollas y cacerolas. (consulte la sección de carga de Power Clean®).

MEDIA CARGA - Si no hay muchos platos que lavar, se utiliza la función MEDIA CARGA para ahorrar agua, electricidad o tiempo dependiendo del programa seleccionado. **Recuerde reducir la cantidad de detergente.**

SECADO EXTRA - La temperatura más alta durante el aclarado final y la fase de secado prolongada permiten un mejor secado. La opción SECADO EXTRA alarga el ciclo de lavado.

APLAZAMIENTO - El inicio del programa se puede retrasar un periodo de tiempo de entre **0:30 y 24 horas**.

1. Seleccione el programa y cualquier opción deseada. Pulse el botón APLAZAMIENTO repetidamente para retrasar el inicio del programa. Puede ajustarse de 0:30 a 24 horas. Una vez alcanzado el ajuste de 24 horas, pulse la tecla APLAZAMIENTO otra vez para desactivar la función APLAZAMIENTO.
2. Pulse el botón INICIO/Pausa y cierre la puerta en un plazo de 4 seg.
3. Cuando ha transcurrido este tiempo, el indicador luminoso se apaga y el programa empieza automáticamente.

La función de APLAZAMIENTO no se puede seleccionar una vez iniciado un programa.

DETECCIÓN - Cuando el sensor está detectando el nivel de suciedad, aparece una animación en la pantalla (alrededor de 20 min) y se actualiza la duración del ciclo. La detección del nivel de suciedad de la vajilla está presente en todos los ciclos (excepto Eco), ajustando el programa en consecuencia.

PROGRAMA FAVORITO - El programa favorito puede ser guardado y será fácilmente accesible. Busque el programa utilizando ANTERIOR/SIGUIENTE, y luego pulse el botón de PROGRAMA FAVORITO durante 3 segundos.

LUZ EN EL SUELO - Una luz LED se proyecta en el suelo para indicar que el lavavajillas está en funcionamiento. La luz se apaga al final del ciclo. Esta función está activada por defecto, pero puede desactivarla en el «AJUSTES MENU».

NaturalDry - Es un sistema de secado por convección que abre la puerta automáticamente durante/después de la fase de secado para garantizar un rendimiento excepcional y regular del secado. La puerta se abre a una temperatura segura para los muebles de cocina.

Como protección adicional contra el vapor, se incluye una lámina protectora especial en el lavavajillas.

Para ver cómo montar la lámina protectora, consulte la GUÍA DE INSTALACIÓN. Esta función está activada por defecto, pero puede desactivarla en el «AJUSTES MENU».

DESCALCIFICACIÓN - Alarma - Se ha detectado acumulación de cal en los componentes internos del aparato. Compruebe si el ajuste de la dureza del agua está en el valor correcto y **hay sal en el contenedor de sal** (consulte PRIMER USO). **A continuación, utilice un producto descalcificador** (se recomienda la marca WPro) con el **programa de Autolimpieza**. Después de una descalcificación exitosa, el icono dejará de mostrarse.

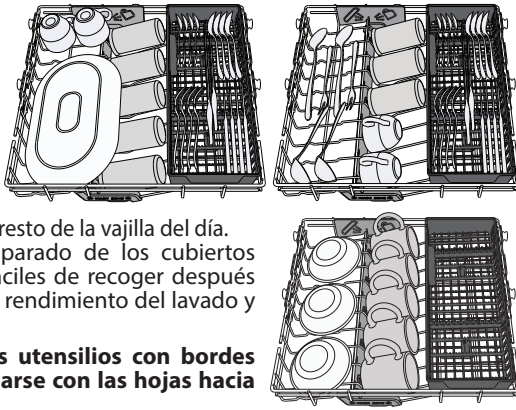
Si no se realizan las medidas anteriores, el rendimiento del producto se deteriorará.

La advertencia DESCALCIFICACIÓN comenzará a parpadear y la alarma «dES» aparecerá en la pantalla. Si aun así no se toma ninguna medida, el aparato sólo permitirá que se inicie un determinado número de ciclos (indicado durante la visualización de la alarma «dES») y luego se **BLOQUEARÁ** para evitar que se dañen los componentes, **estando solo disponible el programa de Autolimpieza**. Realizar una descalcificación completa desbloqueará el producto. En caso de cantidades extremadamente altas de cal, puede ser necesario realizar la descalcificación dos veces para que sea eficaz.

GRIFO CERRADO - Alarma - Parpadea cuando no hay entrada de agua o cuando el grifo está cerrado.

REJILLA MÁS ALTA

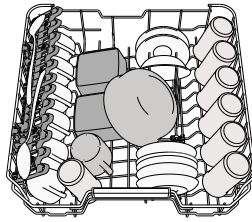
La rejilla más alta ofrece una zona de lavado específica para cuencos, tazas e incluso platos grandes y cubiertos que normalmente se cargan en las rejillas inferiores, lo que permite disponer de más espacio para el resto de la vajilla del día. La colocación por separado de los cubiertos hace que sean más fáciles de recoger después del lavado y mejora el rendimiento del lavado y el secado.



Los cuchillos y otros utensilios con bordes afilados deben colocarse con las hojas hacia abajo.

CESTO SUPERIOR

Cargue la vajilla delicada y ligera: vasos, tazas, platos, ensaladeras bajas. La bandeja superior tiene unos soportes desplegables que se pueden utilizar en posición vertical cuando se coloquen platos de te/postres o en una posición más baja para cargar cuencos y recipientes.

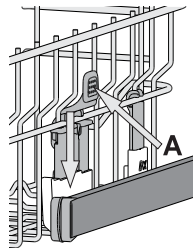


(ejemplo de carga para la bandeja superior)

Ajuste de la altura de la bandeja superior

La altura de la bandeja superior se puede ajustar: posición alta para colocar vajilla voluminosa en el cesto inferior y posición baja para aprovechar al máximo los soportes desplegables creando más espacio hacia arriba y evitando que colisionen con los artículos cargados en la bandeja inferior.

La bandeja superior está equipada con un **Ajustador de altura de la bandeja superior** (véase la figura). Sin presionar las palancas, levántelo simplemente sujetando los laterales de la bandeja, hasta que la bandeja esté estable en su posición superior. Para volver a la posición más baja, pulse las palancas **A** de los laterales de la bandeja y mueva el cesto hacia abajo.

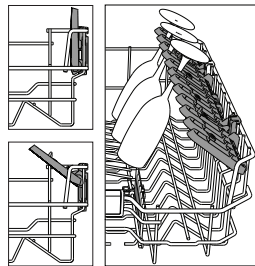


Le recomendamos encarecidamente que no ajuste la altura de la bandeja cuando esté cargada. NUNCA suba o baje el cesto solo de un lado.

Sujeciones plegables con posición ajustable

Las sujeciones plegables laterales se pueden plegar o desplegar para optimizar la disposición de la vajilla en el cesto. Las copas de vino quedan bien aseguradas en las sujeciones plegables insertando el tallo de cada copa en las ranuras correspondientes.

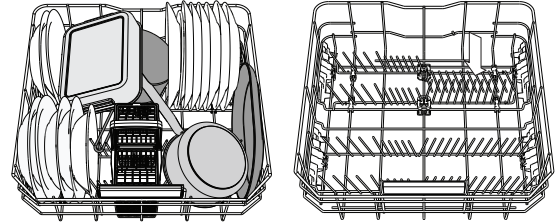
- Dependiendo del modelo:
- para desplegar las sujeciones, deslícelas hacia arriba y gírelas o suéltelas de los cierres y tire de ellas hacia abajo.
- para plegar las sujeciones, gírelas y deslícelas hacia abajo o tire de ellas hacia arriba y fíjelas en los cierres.



CESTO INFERIOR

Para ollas, tapas, platos, ensaladeras, cubertería, etc. Se recomienda colocar las bandejas y tapas grandes en los laterales para evitar interferencias con el brazo aspersor.

La bandeja inferior tiene unos soportes desplegables que se pueden utilizar en posición vertical cuando se coloquen platos o en posición horizontal (más baja) para cargar cacerolas y ensaladeras fácilmente.

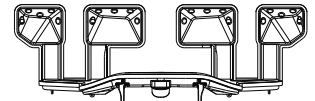


(ejemplo de carga para la bandeja inferior)

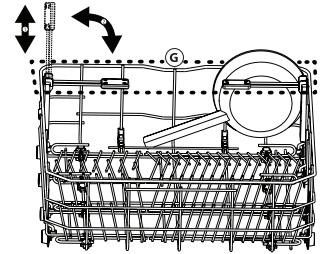
POWER CLEAN®

PowerClean® utiliza los chorros de agua especiales de la parte posterior del interior del lavavajillas para limpiar mejor los utensilios muy sucios. La bandeja inferior tiene una Zona espaciosa, un soporte extensible especial que se puede utilizar para mantener sartenes o moldes en posición vertical, para que ocupen menos espacio.

Hay que colocar las ollas cacerolas mirando el componente Power Clean® y activar **POWER CLEAN** en el panel. Cómo utilizar PowerClean®:



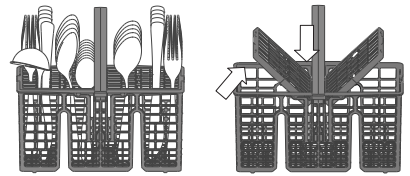
1. Ajuste el área de PowerClean® (**G**) plegando los soportes para platos en la parte posterior para cargar las ollas.
2. Cargue las ollas y cazuelas inclinadas verticalmente en el área de PowerClean®. Las ollas deben estar inclinadas hacia los chorros a presión.



Cesto de cubiertos

Está equipado con rejillas superiores para una mejor colocación de la cuchillería. Solo se tiene que colocar en la parte delantera de la bandeja inferior.

Los cuchillos y otros utensilios con bordes afilados se tienen que colocar en el cesto de cubiertos con las puntas hacia abajo o se deben colocar horizontalmente en los compartimentos desplegables de la bandeja superior.



CUIDADOS Y MANTENIMIENTO

LIMPIEZA DEL CONJUNTO DE FILTRADO

Limpie regularmente el conjunto de filtrado para que los filtros no se obturan y para que el agua residual salga libremente.

El uso del lavavajillas con los filtros obstruidos o con objetos extraños en el sistema de filtrado o en los aspersores puede provocar fallos de funcionamiento que pueden derivar en una pérdida del rendimiento, un aumento del ruido o un mayor consumo de recursos.

El conjunto de filtrado está formado por tres filtros que eliminan los restos de comida del agua de lavado y que hacen recircular el agua.

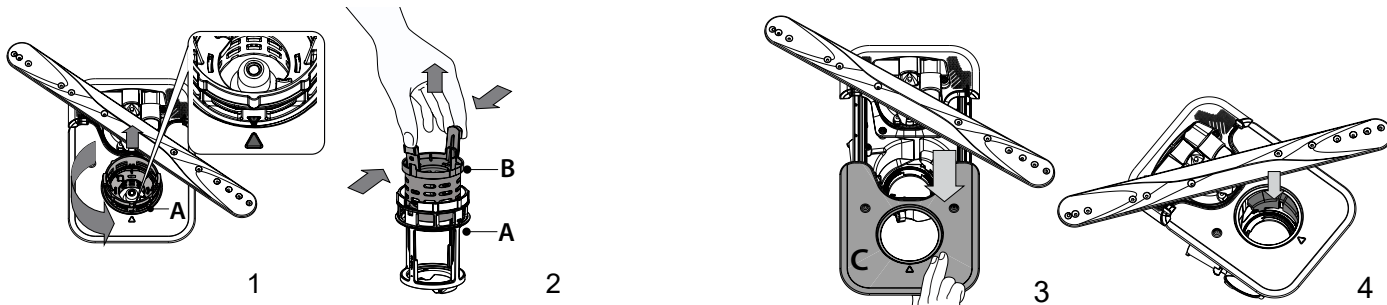
El lavavajillas no se debe usar sin filtros o si el filtro está suelto.

Al menos una vez al mes o cada 30 ciclos, revise el conjunto de filtrado y, si es necesario, límpielo a fondo con agua corriente, utilizando un cepillo no metálico y siguiendo estas instrucciones:

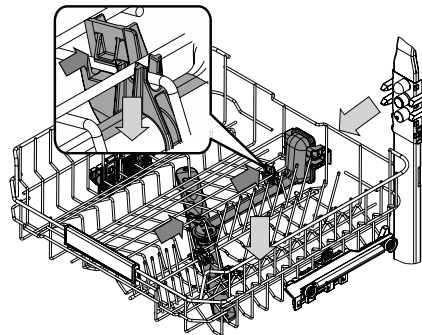
1. Gire el filtro cilíndrico **A** hacia la izquierda y extráigalo (Fig 1). **Es importante al reinstalar el filtro que los dos triángulos que se muestran en el zoom se encuentren.**
2. Extraiga el filtro en forma de saco **B** ejerciendo una ligera presión en las sujeciones laterales (Fig 2).

3. Extraiga el filtro de placa de acero inoxidable **C** (Fig 3).
4. Si encuentra objetos extraños (como cristales rotos, porcelana, huesos, semillas, etc.) **retírelos con cuidado.**
5. Inspeccione la trampilla y retire cualquier resto de comida. **NO RETIRE NUNCA** la protección de la bomba del ciclo de lavado (se muestra mediante una flecha) (Fig 4).

Una vez limpiados los filtros, recolóque el conjunto de filtrado y encájelo correctamente en su sitio; esto es esencial para garantizar el funcionamiento eficiente del lavavajillas



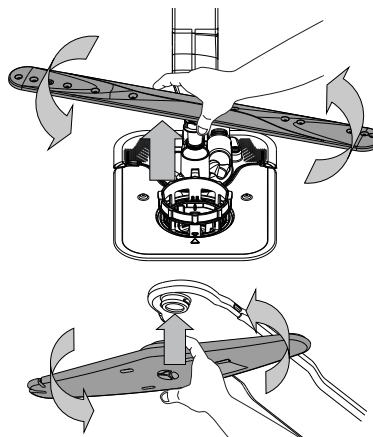
LIMPIEZA DE LOS BRAZOS ASPERSORES



La rejilla más alta tiene un tubo de lavado fijo con todas las boquillas de lavado hacia arriba. Para limpiarlo, puede deslizar la rejilla hacia fuera y retirar con una pinza los elementos que puedan estar alojados en las boquillas.

A veces, los residuos de comida se pueden incrustar en los brazos aspersores y bloquear los orificios por donde sale el agua. Por lo tanto, se recomienda revisar los brazos de vez en cuando y limpiarlos con un pequeño cepillo no metálico.

Pour supprimer le pulvérisateur supérieur, vous devez l'enlever avec le collecteur.



El brazo aspersor inferior se puede desmontar ejerciendo presión hacia arriba y girándolo a la izquierda. El montaje del brazo aspersor se realiza tirando de él hacia abajo y girándolo a la derecha.

El brazo aspersor superior se puede desmontar presionándolo hacia arriba y girándolo a la izquierda. El montaje del brazo aspersor se realiza tirando de él hacia arriba y girándolo a la derecha.

RESOLUCIÓN DE PROBLEMAS

Si su lavavajillas no funciona correctamente, compruebe si el problema se puede resolver revisando la siguiente lista. En caso de errores o problemas, póngase en contacto con nuestro Servicio Postventa, cuyos detalles de contacto puede encontrar en el folleto de la garantía. Las piezas de repuesto estarán disponibles por un período de hasta 7 o hasta 10 años, de acuerdo con los requisitos específicos del Reglamento.

PROBLEMAS	CAUSAS POSIBLES	SOLUCIONES
Se ha encendido el indicador de sal	El depósito de sal está casi vacío.	Llene el depósito con sal (para obtener más información, consulte <i>LLENADO DEL DEPÓSITO DE SAL</i>). Compruebe el ajuste de la dureza del agua si es necesario - consulte <i>CONFIGURACIÓN DE LA DUREZA DEL AGUA</i> .
El indicador de sal está parpadeando	El depósito de sal está vacío.	Rellene el depósito con sal lo antes posible. El uso del aparato sin sal puede provocar daños en sus componentes internos.
El indicador de abrillantador está encendido o parpadeando	El dosificador de abrillantador está vacío. (Una vez rellenado el indicador del abrillantador puede permanecer encendido por un corto tiempo).	Llene el dosificador con abrillantador (para obtener más información, consulte <i>LLENADO DEL DISPENSADOR DEL ABRILLANTADOR</i>).
El indicador de descalcificación está encendido o parpadeando; aparece la alarma «DES».	La cal se acumula en los componentes internos del aparato.	Descalcifique el aparato inmediatamente utilizando el programa de Autolimpieza y un producto descalcificador disponible en el mercado (consulte <i>OPCIONES Y FUNCIONES</i>). Llene el depósito con sal. Compruebe el ajuste de la dureza del agua. Si el aparato no se descalcifica, dejará de funcionar.
El lavavajillas no se pone en marcha o no responde a las órdenes.	El aparato no está bien enchufado.	Introduzca el enchufe en la toma.
	Apagón.	Por razones de seguridad, el lavavajillas no se reiniciará automáticamente cuando se restablezca la alimentación eléctrica. Abra la puerta del lavavajillas, pulse el botón INICIO/Pausa y cierre la puerta en un plazo de 4 segundos.
	La puerta del lavavajillas no está bien cerrada. La clavija de NaturalDry no está introducida.	Empuje fuerte la puerta hasta que oiga el «clic».
	Un ciclo se interrumpe por la apertura de la puerta durante más de 4 segundos.	Pulse el botón INICIO/Pausa y cierre la puerta dentro de 4 segundos.
El lavavajillas no se vacía. La pantalla muestra: F7 E3 o F9 E1	El panel de control no responde o se muestra F6 E1.	Apague el aparato pulsando el botón ENCENDER-APAGAR/Restablecer, vuélvalo a encender aproximadamente al cabo de un minuto y reinicie el programa. Si el problema persiste, desenchufe el aparato durante 1 minuto y vuelva a enchufarlo.
	El filtro está obstruido con restos de comida o cal.	Limpie el filtro y descalcifique el aparato (consulte <i>LIMPIEZA DEL CONJUNTO DE FILTRADO</i> y <i>INSTRUCCIONES DE DESCALCIFICACIÓN</i>).
	El tubo de desagüe está doblado.	Compruebe el tubo de desagüe (consulte <i>INSTRUCCIONES DE INSTALACIÓN</i>).
El lavavajillas hace demasiado ruido.	El tubo de desagüe del fregadero está bloqueado.	Limpie el tubo de desagüe del fregadero.
	Los artículos chocan entre ellos.	Coloque la vajilla correctamente (consulte <i>LLENADO DEL LAVAVAJILLAS</i>).
	Hay una cantidad excesiva de espuma.	El detergente no se ha dosificado correctamente o no es adecuado para lavavajillas (consulte <i>LLENADO DEL DISPENSADOR DE DETERGENTE</i>). Restablezca el ciclo en curso apagando el lavavajillas, vuélvalo a encender, seleccione un nuevo programa, pulse INICIO/PAUSA y cierre la puerta en un plazo de 4 segundos. No añada detergente.
	La vajilla no está bien colocada.	Coloque la vajilla correctamente (consulte <i>LLENADO DEL LAVAVAJILLAS</i>).
	El filtro está obstruido con restos de comida o cal.	Limpie el cuerpo de filtrado (consulte <i>CUIDADOS Y MANTENIMIENTO</i>).

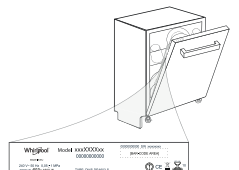
PROBLEMAS	CAUSAS POSIBLES	SOLUCIONES
La vajilla no está limpia.	La vajilla no está bien colocada.	Coloque la vajilla correctamente (<i>consulte LLENADO DEL LAVAVAJILLAS</i>).
	Los brazos aspersores no pueden girar libremente, obstaculizados por la vajilla.	Coloque la vajilla correctamente (<i>consulte LLENADO DEL LAVAVAJILLAS</i>). Compruebe que la rejilla superior está en la posición correcta y ajústela (levántela) si es necesario.
	El ciclo de lavado es demasiado suave.	Seleccione un ciclo de lavado adecuado (<i>consulte la TABLA DE PROGRAMAS</i>).
	Hay una cantidad excesiva de espuma.	El detergente no se ha dosificado correctamente o no es adecuado para lavavajillas (<i>consulte RELLENAR EL DISPENSADOR DE DETERGENTE</i>).
	El tapón del compartimento del abrillantador no se ha cerrado correctamente.	Compruebe que el tapón del dispensador de abrillantador esté cerrado.
	El filtro está obstruido con restos de comida o cal.	Limpie el filtro y descalcifique el aparato (<i>consulte LIMPIEZA DEL CONJUNTO DE FILTRADO</i>).
El lavavajillas no se llena de agua. La pantalla muestra: H₂O y Ø está encendida; hay un sonido de alarma acústica.	El depósito de sal está vacío.	Llene el depósito de sal (<i>consulte LLENADO DEL DEPÓSITO DE SAL</i>).
	No hay entrada de agua o el grifo está cerrado.	Compruebe que haya suministro de agua y que el grifo esté abierto.
	La manguera de entrada de agua está doblada.	Compruebe la manguera de agua (<i>consulte INSTALACIÓN</i>). Abra la puerta del lavavajillas, pulse el botón START/Pause (INICIO/Pausa) y cierre la puerta en un plazo de 4 segundos.
El lavavajillas finaliza el ciclo de forma prematura. La pantalla muestra: F8 E3	El tamiz de la manguera de entrada está obturado; hay que limpiarlo.	Compruebe y limpie el tamiz de la manguera de entrada de agua. Abra la puerta del lavavajillas, pulse el botón INICIO/Pausa y cierre la puerta en un plazo de 4 segundos.
	El filtro está obstruido con restos de comida o cal.	Limpie el filtro y descalcifique el aparato (<i>consulte LIMPIEZA DEL CONJUNTO DE FILTRADO y INSTRUCCIONES DE DESCALCIFICACIÓN</i>).
	El tubo de desagüe está demasiado bajo o bloquea el sistema de desagüe de la casa.	Compruebe si el extremo del tubo de desagüe está colocado a la altura correcta (<i>consulte INSTALACIÓN</i>). Compruebe si está obstruyendo el sistema de desagüe de la casa e instale un disyuntor de sifones/válvula de entrada de aire si es necesario.
	Hay una cantidad excesiva de espuma.	El detergente no se ha dosificado correctamente o no es adecuado para lavavajillas (<i>consulte RELLENAR EL DISPENSADOR DE DETERGENTE</i>).
Los platos no se secan bien.	Aire en el suministro de agua.	Compruebe que el suministro de agua no tenga fugas o defectos que dejen entrar aire.
	No hay abrillantador o la dosis es demasiado baja.	Asegúrese de que el dispensador de abrillantador esté lleno (<i>consulte LLENADO DEL DISPENSADOR DEL ABRILLANTADOR</i>). Las pastillas multifuncionales no proporcionan un efecto de secado tan bueno como el uso real del abrillantador líquido.
	La vajilla se ha descargado después de la apertura automática de la puerta, pero antes del final del ciclo real.	Asegúrese de que el ciclo ha terminado antes de empezar a descargar la vajilla (<i>consulte USO DIARIO</i>). Para un mejor secado, se recomienda dejar la vajilla dentro del lavavajillas con la puerta abierta durante 15 minutos más una vez finalizado el ciclo.
	La vajilla está demasiado plana.	Si observa charcos de agua en el interior de las cavidades de las tazas, tazones o cuencos, intente cargar la vajilla (especialmente en el estante superior) proporcionando más inclinación para que gotee una mayor cantidad de agua antes de que comience el secado.
	El ciclo seleccionado no tiene la fase de secado.	Compruebe en la <i>TABLA DE PROGRAMAS</i> si el programa seleccionado cuenta con fase de secado. El ciclo sin la fase de secado puede no ofrecer la eficiencia de secado deseada, por lo que se recomienda cambiar la selección del ciclo por el que tiene la fase de secado.
Los platos y vasos tienen vetas azules o tintes azulados.	La vajilla es de material antiadherente o de plástico.	Es normal que queden algunas gotas de agua en este tipo de material.
	La dosis de abrillantador es excesiva.	Ajuste la dosificación a una posición más baja.
Los platos y vasos están cubiertos de cal o de una película blanquecina.	El depósito de sal está vacío.	Rellene el depósito con sal lo antes posible. El uso del aparato sin sal puede provocar daños en sus componentes internos.
	El ajuste de la dureza del agua es demasiado bajo.	Incremente el ajuste (<i>consulte TABLA DE DUREZA DEL AGUA</i>).
	El tapón del depósito de sal no está bien cerrado.	Compruebe y cierre el tapón del depósito de sal.
	El depósito de abrillantador está vacío o la dosis de abrillantador es insuficiente.	Llene el dosificador con abrillantador y compruebe el ajuste de la dosis (para obtener más información, <i>consulte LLENADO DEL DISPENSADOR DEL ABRILLANTADOR</i>).
El lavavajillas muestra F8 E5	La válvula está bloqueada o defectuosa.	Cierre la válvula de agua, si es posible. No desconecte la alimentación. Llame al servicio técnico.



Puede consultar los reglamentos, la documentación estándar, así como pedir piezas de repuesto, mediante alguna de las siguientes formas:

- Usando el código QR y visitando nuestra página web docs.whirlpool.eu/docs
- Visitando nuestra página web parts-selfservice.europeanappliances.com
- También puede, **ponerse en contacto con nuestro Servicio postventa** (Consulte el número de teléfono en el folleto de la garantía). Cuando se ponga en contacto con nuestro Servicio Postventa, deberá indicar los códigos que figuran en la placa de características de su producto.

La información del modelo puede consultarse a través del código QR de la etiqueta energética. La etiqueta también contiene el identificador del modelo que puede usarse para consultar el portal del registro en <https://eprel.ec.europa.eu>





TÄNAME, ET OSTSITE WHIRLPOOL TOOTE.

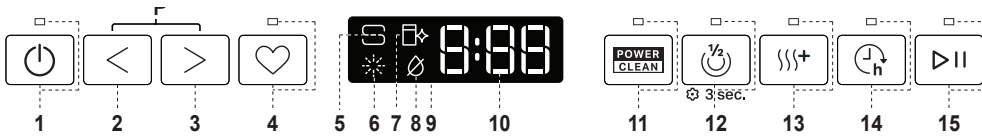
Täielikuma tugiteenuse saamiseks registreerige oma seade aadressil: www.whirlpool.eu/register

Enne seadme kasutuselevõttu lugege hoolikalt läbi ohutus- ja paigaldusjuhend. Lisateave on toote kohta saadaval veebisaidil: docs.whirlpool.eu/docs

Ärge unustage pärast paigaldamist eemaldada nõudepesumasinast kõiki transpordi kaitseosi.

JUHTPANEEL

1. Indikaatortulega **SISSE-/VÄLJA** ja taaslähtestuse nupp
2. **EELMISE** programmi nupp
3. **JÄRGMISE** programmi nupp
4. Indikaatortulega programminupp **LEMMIK**
5. Tühja **soolapaagi** indikaatortuli
6. Tühja **loputusvahendipaagi** indikaatortuli
7. **KATLAKIVIEEMALDUSE** indikaatortuli
8. **Suletud veekraani** indikaatortuli
9. **Ekraan**
10. **Programmi numbri ja pesutsükli lõpuni jäänud aja** näidik
11. Indikaatortulega funktsiooninupp **Power Clean®**



12. Indikaatortulega funktsiooninupp **Pooltäis / Sätted**, vajutus 3 s
13. Indikaatortulega funktsiooninupp **Ekstrakuiv**
14. Indikaatortulega funktsiooninupp **Viivitus**
15. Indikaatortulega nupp **STARDI/Pausi**

ESMAKASUTUS

SÄTTEMENÜÜ

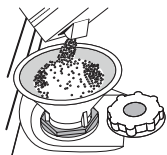
1. Lülitage seade **SISSE/VÄLJA** nupust sisse.
2. Hoidke nuppu **Sätted** 3 sekundit all, kuni kuulete piisku ja ekraanil kuvatakse „**SET**“ (Säte).
3. Ühe sekundi pärast kuvatakse esimene saadaval säte (täht „h“).
4. Vajutage nuppu **EELMINE</JÄRGMINE>**, et kerida läbi saadaval sätete loendi (vt tabelit allpool), seejärel vajutage nuppu **STARDI/Pausi**, et näha valitud sätet ja selle väärtust muuta.
5. Vajutage väärtuse muutmiseks nuppu **EELMINE</JÄRGMINE>**, seejärel vajutage nuppu **STARDI/Pausi**, et uus väärtus salvestada ja peamenüüsse naasta.
6. Muu sätte muutmiseks korrake toiminguid 4 ja 5.
7. Menüüst väljumiseks vajutage **SISSE/VÄLJA** nupust või oodake 30 sekundit.

TÄHT	SÄTE	VÄÄRTUSED (Vaiikesäte: paksus kirjas)
	Veekareduse tase (vt „VEE KAREDUSE MÄÄRAMINE“ ja „VEE KAREDUSE TABEL“)	1 2 3 4 5
	Loputusvahendi tase (vt „LOPUTUSVAHENDI DOSAATORI TÄITMINE“)	0 1 2 3 4 5
	NaturalDry (vt „VALIKUD JA FUNKTSIOONID“) „1“ = sees, „0“ = väljas	1 0
	Valgus põrandale (vt „VALIKUD JA FUNKTSIOONID“) „1“ = sees, „0“ = väljas	1 0
	Heli „1“ = sees, „0“ = väljas	1 0
	Tehasesätted Vajutage nuppu STARDI/Pausi , et taastada sättemenüü kõigi väärtuste tehasesätted.	-

SOOLANÕU TÄITMINE

Soola kasutamine aitab vältida KATLAKIVI kogunemist nõudele ja masina funktsionaalsetele osadele.

- Soolanõu ei tohi kunagi tühi olla.
- Vee kareduse määramine on tähtis.
- Soola tuleb lisada, kui juhtpaneelil põleb SOOLA LISAMISE indikaatortuli.



1. Eemaldage alumine rest ja keerake soolanõu kork lahti (vastupäeva).
2. Paigaldage lehter (vt joonis) ja täitke soolanõu servani (umbes 0,5 kg); seejuures võib nõust väljuda vett.
3. **Ainult esimene kord, kui seda teete: täitke soolanõu veega.**
4. Eemaldage lehter ja pühkige avalt soolajäägid.

Keerake kork kõvasti kinni, nii et pesuprogrammide ajal ei pääseks soolanõusse pesuvahendit (see võib veepihmendajat tõsiselt kahjustada).

Käitage programmi kohe pärast soolapaagi täitmist, et vältida korrosiooni.

Vee kareduse määramine

Et veepihmendaja saaks ideaalselt töötada, peab vee karedus olema määratud vastavalt vee reaalsele karedusele teie kodus. Seda teavet saate oma vee-ettevõttelt. Tehaseseade on „3“. Vt „VEE KAREDUSE TABEL“.

Muutmiseks järgige juhtnööre jaotises „SÄTTEMENÜÜ“.

Kasutage ainult spetsiaalselt nõudepesumasinatele mõeldud soola. Kui olete soola masinasse valanud, kustub SOOLA LISAMISE vajaduse indikaatortuli.

Kui soolanõu ei ole täidetud, võib katlakivi kogunemine kahjustada veepihmendajat ja küttelementi.

Soola on soovitatav kasutada igat tüüpi nõudepesumasina pesuainega.

Vee kareduse tabel

Tase	°dH Saksa kraadid	°fH Prantsuse kraadid	°Clark (UK) kraadid
1 (pehme)	0 - 6	0 - 10	0 - 7
2 (keskmine)	7 - 11	11 - 20	8 - 14
3 (keskmine)	12 - 16	21 - 29	15 - 20
4 (kare)	17 - 34	30 - 60	21 - 42
5 (väga kare)	35 - 50	61 - 90	43 - 62

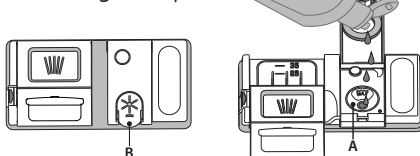
VEEPEHMENDUSSÜSTEEM

Veepihmendaja vähendab automaatselt vee karedust, hoides seeläbi ära katlakivi tekke küttelemendile ja tõhustades pesu. **See süsteem taastab ennast soola abil, seega tuleb soolanõu tühjenemise korral uuesti soolaga täita.** Taastesagedus oleneb vee karedusastmes seadest: regeneratsioon leiab aset üks kord 4-6 ööksükli kohta, kui vee karedusastmeks on määratud 3. Regenerimine toimub tsükli alguses puhta vee lisakogusega.

- Üks taastamine: ~ kulutab ~3L vett;
- Lisab tsükli kestusele 5 minutit;
- Kulutab vähem kui 0,005 kWh energiat.

LOPUTUSVAHENDI DOSAATORI TÄITMINE

Loputusvahend muudab nõude KUIVATAMISE lihtsamaks. Loputusvahendi dosaator **A** vajab täitmist, kui juhtpaneelil põleb **LOPUTUSVAHENDI LISAMISE** märgutuli.



1. Dosaatori **B** avamiseks vajutage kaanel olevat sakkki ja tõmmake seda enda poole.
2. Valage dosaatorisse ettevaatlikult loputusvahendit, kuni selle tase jõuab maksimumtaseni (110 ml) näitava sälguni

täiteaval - vältige loputusvahendi mahavoolamist. Kui see juhtub, kuivatage maha voolanud vahend kohe kuiva lapiga.

3. Vajutage kaant, kuni see klõpsuga sulgub.

ÄRGE valage loputusvahendit otse pesukambrisse.

Loputusvahendi doosi reguleerimine

Kui te ei ole kuivatamise tulemustega täielikult rahul, saate kasutatava loputusvahendi kogust reguleerida.

Muutmiseks järgige juhtnööre jaotises „SÄTTEMENÜÜ“.

Kui loputusvahendit tasemeks on määratud **NULL**, siis loputusvahendit ei kasutata. Kui loputusvahend otsa saab, ei sütti **LOPUTUSVAHENDI LÕPPEMISE** indikaatortuli.

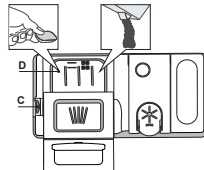
Olenevalt nõudepesumasina mudelist saab valida kuni **6** taseme vahel

- Kui nõudel esineb sinakaid jälgi, määrake madalam tase (0-3).
- Kui nõudel on veepiiskade või katlakivi jälgi, määrake kõrgem tase (4-5).

PESUVAHENDI DOSAATORI TÄITMINE

Pesuvahendi dosaatori avamiseks kasutage avamisseadet C.

Pange pesuvahend ainult kuiva dosaatorisse D. Eelpesu jaoks mõeldud pesuvahend pange otse pesukambrisse.



1. Pesuvahendi doseerimisel kasutage õige koguse määramiseks eelmainitud teavet. Dosaatori **D** sees on näidud abiks puhastusvahendi doseerimisel.
2. Puhastage dosaatori servadelt pesuvahendi jäägid ja sulgege kaas (kostab klõpsatus)
3. Pesuvahendi dosaatori kaane sulgemiseks tõmmake seda ülespoole, kuni sulgemisseade on kindlalt oma kohal.

Pesuvahendi dosaator avaneb automaatselt, kui vastavas programmis on selleks õige hetk käes. **Muu pesuaine peale nõudepesumasina oma kasutamine võib kaasa tuua seadme rikke.**

IGAPÄEVANE KASUTAMINE

1. VEEÜHENDUSE KONTROLL

Veenduge, et nõudepesumasin on veevärgiga ühendatud ja kraan on lahti.

2. LÜLITAGE NÕUDEPESUMASIN SISSE

Avage uks ja vajutage **SISSE/VÄLJA** nuppu.

3. PANGE NÕUD RESTIDELE (vt RESTIDE TÄITMINE).

4. PESUVAHENDI DOSAATORI TÄITMINE

5. CH VALIGE PROGRAMM JA SOBIV PESUTSÜKKEL

Valige kõige sobivam programm olenevalt nõude tüübist ja määrdumisastmest (vt PROGRAMMIDE KIRJELDUS) vajutades valitud **EELMISE** < / **JÄRGMISE** > nuppu.

Tehke soovitud valikud (vt VALIKUD JA FUNKTSIOONID). Kõik lisafunktsioonid pole iga programmiga kokkusobivad.

6. START

Käivitage pesutsükkel, vajutades nuppu **STARDI/Pausi** (süttib LED) ja sulgedes 4 sekundi jooksul ukse. Programmi käivitamisel kõlab üks piiks. Kui ust 4 sekundi jooksul ei suleta, kõlab alarm. Sel juhul avage uks, vajutage nuppu **STARDI/Pausi** ja sulgege uks uuesti 4 s jooksul.

7. PESUTSÜKLI LÕPP

Pesutsükli lõpust annab märku heli ja ekraanile kuvatakse **END** (LÕPP).

Avage uks ja lülitage seade välja, vajutades nuppu **SISSE/VÄLJA**.

Põletuste vältimiseks oodake paar minutit enne nõude väljavõtmist. Tühjendage restid, alustades alumisest.

TÖÖTAVA PROGRAMMI MUUTMINE

Kui valitud on vale programm, saab seda muuta, kui see on äsja alustanud. **LÄHTESTAGE** masin: hoidke vähemalt 3 sekundit all nuppu **SISSE/VÄLJA** ja masin lülitub välja. **Ekraanil kuvatakse „0:01“**. Sulgege uks ja oodake, kuni tühjendustsükkel lõpeb (umbes 1 minut). Avage uks ja lülitage masin nupust **SISSE/VÄLJA** taas sisse ja valige uus pesutsükkel ning soovitud lisafunktsioonid. Käivitage tsükkel, vajutades nuppu **STARDI/Pausi** ja sulgedes 4 sekundi jooksul ukse.

NÕUDE JUURDELISAMINE

Avage masinat väljalülitamata uks esialgu natukene, et vältida vee väljapritsimist (nupu **STARDI/Pausi** LED hakkab vilkuma) (**Ettevaatust! Kuum aur!**), ja pange nõud masinasse. Vajutage nuppu **STARDI/Pausi** ja sulgege uks 4 sekundi jooksul, tsükkel jätkub kohast, kus see katkestati.

TAHTMATUD KATKESTUSED

Kui uks pesutsükli ajal avatakse või esineb elektrikatkestus, siis tsükkel seiskub. **AINULT JUHUL, KUI VAJUTATE NUPPU STARDI/Pausi** ja sulgete ukse 4 sekundi jooksul, jätkub tsükkel kohast, kus see pooleli jäi.

NÕUANDED JA NÄPUNÄITED

NÕUANDED

Enne nõude korvi ladumist pühkige neilt toidujäägid ja valage klaasid tühjaks. **Nõusid eelnevalt jooksva vee all loputada ei ole vaja.**

Paigutage nõud nii, et need on kindlalt paigas ega saa ümber kukkuda; anumad seadke avaga allapoole ja kumerad/nõugusad pinnad kaldu, et vesi pääseks igale pinnale ligi ja saaks vabalt voolata.

Hoiatus! Kaaned, käepidemed, kandikud ja pannid ei tohi takistada pihustihoobade pööblemist.

Väikesed esemed paigutage söögiriistade korvi.

Tugevalt määrdunud nõud ja potid-pannid tuleks asetada alumisse korvi, sest selles osas on veejoad tugevamad ja pesemine tõhusam.

Kui olete nõud masinasse pannud, kontrollige, et pihustihood saavad vabalt pöörelda.

SOBIMATUD NÕUD

- Puidust nõud ja söögiriistad.
- Õrnad kaunistustega klaasid, kunstkäsitöö ja antiiknõud. Nende kaunistused ei talu masinpesu.
- Sünteetilistest, suurt kuumust mittetaluvatest materjalidest esemed.
- Vasest ja tinast nõud.
- Tuha, vaha, määrdeainete või tindiga määrdunud nõud.

Klaasimaalingute ja alumiiniumist/hõbedast nõude värvid võivad pesu käigus muutuda. Mõned klaasisordid (nt kristallesemad) võivad mitme pesutsükli tagajärjel muutuda ka läbipaistmatuks.

KLAAS- JA PORTSELANNÕUDE KAHJUSTUSED

- Peske masinas ainult selliseid nõusid, mille kohta tootja on kinnitanud, et need sobivad masinpesuks.
- Kasutage nõudega sobivat ornatoimelist pesuvahendit.
- Võtke klaasid ja söögiriistad kohe pärast pesutsükli lõppu masinast välja.

SOOVIKUD ENERGIA KOKKUHUIKUS

- Kui kodust nõudepesumasinat kasutatakse tootja juhiste kohaselt, **kulub nõude pesemine nõudepesumasinas üldiselt VÄHEM ENERGIAT ja vett kui käsitsipesu.**
- Nõudepesumasina optimaalseks kasutuseks **on soovitatav käivitada pesutsükkel siis, kui masin on täis.** Koduse nõudepesumasina tootja poolt lubatud mahuni täis laadimine aitab säästa energiat ja vett. Teavet nõude õigesti laadimise kohta leiab peatükist RESTIDE TÄIS LAADIMINE. Osalise täitmise korral on soovitatav võimaluse korral kasutada spetsiaalset programme (Half load (Pool täit) / Zone Wash (Tsoonipesu) / Multi-zone (Mitu tsooni)) ja täita vaid valitud restid. Nõudepesumasina valesti täitmine ja ületäitmine võib rohkem ressursse kulutada (vesi, energia ja aeg, suurem müratase) ning vähendada pesu ja kuivatamise kvaliteeti.
- Nõude käsitsi eelloputus suurendab vee ja energia kulu ning ei ole soovitatav.

HÜGIEEN

Vältimaks ebameeldivaid lõhnu ja setteid, mis võivad masinasse koguneda, **käivitage vähemalt kord kuus mõni kõrge temperatuuriga programm.** Pange masinasse teelusikatäis pesuvahendit ja laske programmil lõpuni käia ilma nõusid masinasse panemata.

KÜLMAKINDLUS

Kui seade pannakse keskkonda, kus temperatuur võib langeda alla külmuspunkti, **tuleb seade täielikult veest tühjaks lasta.** Keerake veekraan kinni, eemaldage sisse- ja väljalaskevoolikud ning laske kogu veel välja voolata. **Veenduge, et soolapaak oleks täidetud lahustunud regenereri-missoolaga, et kaitsta seadet temperatuuril kuni -20 °C.**

Kui seadet on hoitud külmumistemperatuuril, tuleb sellel lasta seista temperatuuril vähemalt 5 °C **vähemalt 24 tundi**, enne kui seda kasutatakse.

PROGRAMMIDE TABEL

Programm	Programmide kirjeldus	Kuivatamine faas	NaturalDry	Saadaolevad valikud ¹⁾	Pesu programmi kestus (t:min) ²⁾	Veekulu (liitrit tsükli kohta)	Elektrikulu (kWh/tsükkel)
P1 Eco	Öko 50° - Säätuprogramm sobib tavaliselt määratud nõude pesemiseks, see programm kasutab selleks otstarbeks kõige optimaalselt energiat ja vett ning seda programmi kasutatakse Euroopa Liidu ökodisaini nõuetega vastavuses olemise hindamiseks.	✓	✓		4:00	9,5	0,64
P2	Automaatne Intensiivrežiim 65° - Automaatprogramm tugevalt määratud nõudele ja pannidele.	✓	✓		2:25-3:10	15,5-24,5	1,30-1,70
P3	Automaatne Segatud 55° - Automaatprogramm kuivanud toidujääkidega mõõdukalt määratud nõudele.	✓	✓		1:20-3:00	7,5-19,5	0,75-1,20
P4	Automaatne Kiirpesu 50° - Automaatprogramm mõõdukalt ja kergelt määratud nõudele. Igapäevane tsükkel, mis tagab optimaalse puhastuse ja kuivatuse lühema aja jooksul.	✓	✓		1:00-1:50	7,5-15,5	0,70-1,10
P5	Kristallid 45° - Programmi on soovitatav kasutada piiratud koguse kergelt määratud nõude jaoks, millel pole kuivanud toidujääke. Ei hõlma kuivatusfaasi.	-	✓		0:30-0:40	10-12	0,55-0,65
P6	Õrn 45° - Programm õrnade nõude pesemiseks, mis on tundlikumad kõrgete temperatuuride suhtes, nt klaasid ja tassid.	✓	✓		1:40-1:50	12,5-16,5	0,95-1,20
P7	Vaikne 55° - Sobib masinaga pesemiseks öisel ajal. Tagab optimaalse puhastuse ja kuivatuse võimalikult vaikselt heliga.	✓	✓		3:50-4:10	10,5-14,5	0,80-1,15
P8	Antibakteriaalne režiim 65° - Keskmiselt või tugevasti määratud nõud, koos täiendava antibakteriaalse pesuga. Saab kasutada nõudepesumasina hoolduseks	✓	-		1:55-2:10	12-19	1,40-1,80
P9	Eelpesu - Kasutatakse lauanõude värskendamiseks, et neid hiljem pesta. Selle programmiga pesuvahendit ei kasutata.	-	✓		0:12	4,5	0,10
P10	Isepuhastuse 65° - Programm kasutamiseks nõudepesumasina hooldamisel, teostada ainult TÜHJA nõudepesumasina korral kasutades nõudepesumasina hooldamiseks mõeldud spetsiaalseid puhastusvahendeid.	-	-		1:15	11,0	1,10

Säätuprogrammi andmed on mõõdetud laboratoorses tingimustes vastavalt Euroopa standardile EN 60436:2020.

Märkus katselaboritele: teavet võrdlevate EN-katsetingimuste kohta saate meiliaadressil: dw_test_support@whirlpool.com

Nõude eeltöötlus ei ole ühegi programmi kasutamise eelselt vajalik.

¹⁾ Kõiki valikuid korraga kasutada ei saa.

²⁾ Programmide väärtused (v.a Sääturrežiim (Öko) on ainult näitlikud. Tegelik aeg võib varieeruda olenevalt paljudest teguritest, nagu näiteks sissevõetava vee temperatuur ja rõhk, toatemperatuur, pesuvahendi kogus, pestavate nõude hulk ja tüüp, nõude paigutus, lisavalikud ja anduri kalibreering. Anduri kalibreering võib pikendada programmi kestust kuni 20 minuti võrra.

VALIKUD JA FUNKTSIOONID

LISAFUNKTSIOONE saab valida/eemaldada pärast programmi valimist, vajutades otse asjakohast nuppu (kui see on saadaval, süttib indikaator) (vt jaotist JUHTPANEEL). Kui valik ei ole konkreetse programmi puhul saadaval (vt PROGRAMMIDE TABELIT), vilgub vastav LED-tuli kiiresti kolm korda ja kostavad helisignaali. Valikut ei käivitata. Lisafunktsioon võib muuta programmi kestust ja vee- ning energiakulu.

POWER CLEAN® - Tänu täiendavatele jugadele tagab see suvand alumiiniumil restil konkreetses alas intensiivsema pesu. Seda valikut soovitame kasutada pottide ja pannide pesemiseks (Vt laadimissektsioon Power Clean®).

POOLTÄIS : kui pestavaid nõusid pole palju, kasutage olenevalt valitud programmist kas vee, elektrit või aja säästmiseks funktsiooni POOLTÄIS. **Ärge unustage vähendada pesuvahendi kogust.**

EKSTRAKUIV : viimase loputuse järel kasutatav kõrgem temperatuur ja pikem kuivatusfaas aitavad nõusid paremini kuivatada. EKSTRAKUIV valik pikendab pesutsükli.

VIIVITUS : programmi käivitamist saab **30** minutit kuni **24** tundi edasi lükata.

1. Valige programm ja kõik soovitud lisavalikud. Programmi käivituse edasilükkamiseks vajutage nupule VIITSTART (korduvalt). Reguleeritav vahemikus 0:30 kuni 24 tundi. Kui on jõutud 24 tunni sätteni, vajutage uuesti nuppu VIIVITUS, et funktsioon VIIVITUS inaktiveerida.
2. Vajutage nuppu STARDI/Pausi ja sulgege uks 4 sekundi jooksul.
3. Kui määratud aeg on möödunud, kustub indikaatorituli ja programm algab automaatselt.

Kui programm on käivitunud, ei saa VIITSTARDI valikut aktiveerida.

LEMMIKPROGRAMM : võimalus salvestada lemmikprogramm, et seda oleks mugavam kasutada. Valige nupuga EELMINE/JÄRGMINE programm ja hoidke seejärel programminuppu LEMMIK 3 sekundit all.

ANDUR - Kui määrumistaset tuvastab andur, kuvatakse ekraanil animatsioon (ligikaudu 20 min) ja tsükli kestust värskendatakse. Andur tuvastab nõude määrumistaset ja on saadaval kõigis programmides (v.a Öko), reguleerides programmi asjakohaselt.

VALGUS PÖRANDALE : põrandale suunatud LED-lambi valgus näitab, et nõudepesumasin töötab. Tuli kustub tsükli lõppemise järel. Funktsioon on vaikimisi aktiivne, kuid selle väljalülitamine on võimalik SÄTTEMENÜÜS.

NaturalDry : on konvektsioonkuivatussüsteem, mis avab ukse automaatselt, kuivatusfaasi ajal/järel, et tagada alati tõhus kuivatamine. Uks avaneb temperatuuril, mis on teie köögimööbli jaoks ohutu. Lisakaitseks auru eest on nõudepesumasinal lisatud spetsiaalselt loodud kaitsefoolium. Kaitsefooliumi paigaldusjuhiseid vaadake PAIGALDUSJUHENDist. Funktsioon on vaikimisi aktiivne, kuid selle väljalülitamine on võimalik SÄTTEMENÜÜS.

KATLAKIVIEEMALDUSE alarm : tuvastatud katlakivi kogunemine seadme sisekomponentidel. Kontrollige, **kas veekareduse säte on õige ja kas paagis on soola** (vt ESMAKASUTUS), seejärel kasutage **katlakivieemalduse toodet** (soovitatav on tootemärk WPro) **programmiga Isepuhastus**. Kui katlakivi on eemaldatud, lõpetatakse ikooni kuvamine. Kui eespool toodud toiminguid ei tehta, langeb seadme jõudlus. Katlakivieemalduse hoiatus hakkab vilkuma ja ekaanil kuvatakse alarm «dES». Kui ka nüüd midagi ei tehta, saab seadmes käivitada piiratud arvu tsükleid (näidatud koos alarmiga «dES»), misjärel kasutus **blokeeritakse**, et ennetada komponentide kahjustusi, **seejärel saab kasutada ainult programmi Isepuhastus**. Täieliku katlakivieemalduse järel seade deblokeeritakse. Väga suure koguse katlakivi korral võib olla vajalik selle eemaldamiseks katlakivieemaldus teha kaks korda.

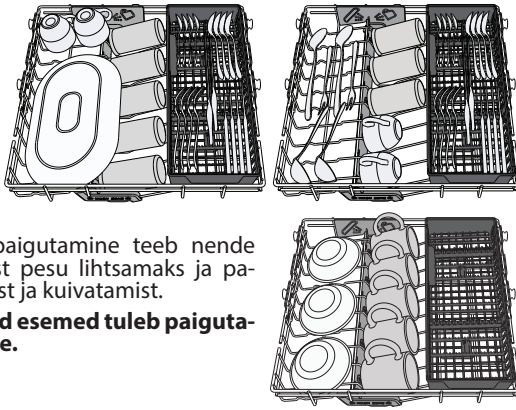
VEEKRAAN ON SULETUD – alarm - Vilgub, kui vett ei tule sisse või kui veekraan on suletud.

KÕRGEIM REST

Kõrgeimal restil on spetsiaalne suunatud pesutsoon kausside, kruuside ja suurte taldrikute ning söögiriistade jaoks, mis tavaliselt pannakse alumistele restidele, et teha lisaruumi päeva muude nõude jaoks.

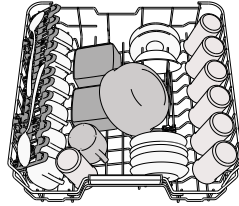
Söögiriistade eraldi paigutamine teeb nende kokkukogumise pärast pesu lihtsamaks ja parandab nende pesemist ja kuivatamist.

Noad ja muud teravad esemed tuleb paigutada teradega allapoole.

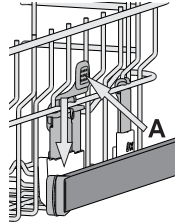
**ÜLEMINE REST**

Siia paigutage õrnemad ja kergemad nõud: klaasid, tassid, alustassid, madalad salatikaussid. Ülemisel restil on ülestõstetavad toed, millega võib toetada näiteks üksteise kõrvale seatud alustasse, või hoida need all, kui restil on kaussid ja toidukarbid.

(ülemise resti laadimisnäidis)

**Ülemise resti kõrguse reguleerimine**

Ülemise resti kõrgust saab reguleerida: kui see paigutatakse kõrgemale, mahuvad alumisele restile suuremad nõud, kui see aga seada madalamale, saab paremini ära kasutada ülemise resti tugesid, luues üles rohkem ruumi ja vältides kokkupuudet alumisel restil asuvate nõudega. Ülemisel restil on olemas **ülemise resti kõrguse regulaator** (vt joonis), resti tõstmiseks pole vaja hoobasid vajutada, vaid tõstke seda lihtsalt äärtest hoides ülespoole, kuni see on stabiilselt ülemises positsioonis paigal. Tagasi alumisse positsiooni paigutamiseks vajutage hoobasid **A** resti äärteil ja liigutage korvi allapoole.



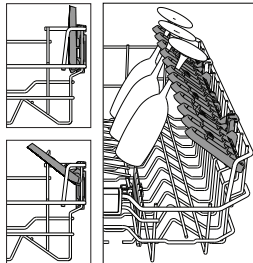
On äärmiselt soovitatav mitte muuta resti kõrgust siis, kui see on nõusid täis. ÄRGE tõstke või langetage korvi ainult ühelt poolt.

Reguleeritava paigutusega kokkukäivad labad

Külgmised kokkukäivad labad on võimalik kokku panna või lahti võtta, et optimeerida restil olevate nõude paigutust. Veiniklaasid saab turvaliselt kokkukäivate labade vahele paigutada, seades klaasi jala vastavasse pilusse.

Sõltuvalt mudelist:

- laba lahitegemiseks tuleb seda üles lükata ja pöörata, et see klambrite küljest vabastada, ning seejärel alla tõmmata.
- laba kokkupanemiseks tuleb seda pöörata ja alla lükata või üles tõmmata, et see klambrite külge kinnitada.

**HOOLDUS****FILTRI PUHASTAMINE**

Puhastage filtri koostu regulaarselt, et filtrid ei ummistuks ja vesi saaks vabalt masinast välja voolata.

Nõudepesumasina kasutamine ummistunud filtritega või võorkehadega filtrisüsteemis võib kahjustada seadme talitlushäired, nagu jõudluse vähenemine, müra suurenemine ja suurem ressursikasutus.

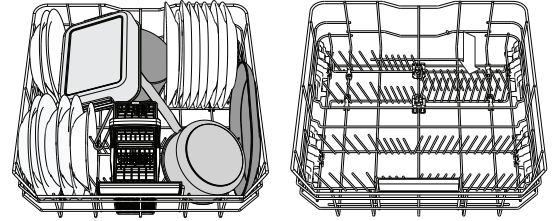
Filtri koost koosneb kolmest filtrist, mis koguvad pesuveest kokku toiduosakesed ja suunavad siis vee taaskringlusse.

Nõudepesumasinat ei tohi kasutada, kui filtrid puuduvad või on kinnitatud. Kontrollige filtri koostu vähemalt üks kord kuus või iga 30 tsükli tagant ja vajaduse korral puhastage seda põhjalikult jooksva vee all, kasutades allpool toodud juhiste kohaselt mittemetallist harja:

1. Keerake silindrilist filtrit **A** vastupäeva ja tõmmake see välja (joonis 1). **Filtri uuesti paigaldamisel on oluline, et suumil näidatud kaks kolmnurka kohtuksid.**
2. Eemaldage kuppelfilter **B**, avaldades selle küljetiibadele kerget survet (joonis 2).
3. Libistage välja roostevabast terasest plaatfilter **C** (joonis 3).
4. Kui leiata võorkehaid (purunenud klaas, portselan, kondid, seemned vms), eemaldage need ettevaatlikult.
5. Kontrollige filtrilõksu ja eemaldage sellest kõik toidujäägid. **ÄRGE KUNAGI EEMALDAGE** pesutsükli pumba kaitset (noolega näidatud) (joonis 4). Pärast filtrite puhastamist pange filtri koost tagasi ja kinnitage korralikult oma kohale; see on nõudepesumasina tõhusa töö tagamiseks ülioluline.

ALUMINE REST

Pottidele, pannidele, taldrikutele, salatikaussidele, söögiriistadele jne. Ideaaljuhul tuleks taldrikuid paigutada külgedele, et need ei puutuks kokku pihustihoovaga. Alumisel restil on olemas ülestõstetavad toed, millega saab toetada taldrikuid, kui need on laotud püstises asendis üksteise kõrvale, või hoida all, kui restile on laotud potid ja salatikaussid.



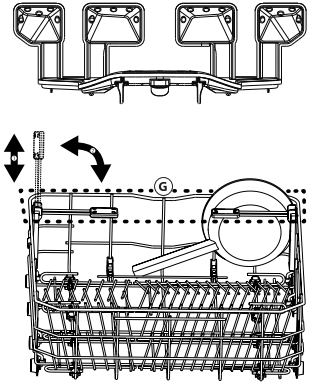
(alumise resti laadimisnäidis)

POWER CLEAN®

Võimas Power Clean® puhastus kasutab pesumasina tagaosas spetsiaalseid veejugasid, et pesta tugevalt määrduvad esemed suurema intensiivsusega. Kui olete pannid ja potid Power Clean® -i konstruktsiooni ette paigutanud, aktiveerige juhtpaneelilt **POWER CLEAN®** puhastus. Alumise resti tagaosas on olemas spetsiaalne tugikonstruktsioon pannide või küpsetusvormide paigutamiseks vertikaalselt, et need vähem ruumi võtaks.

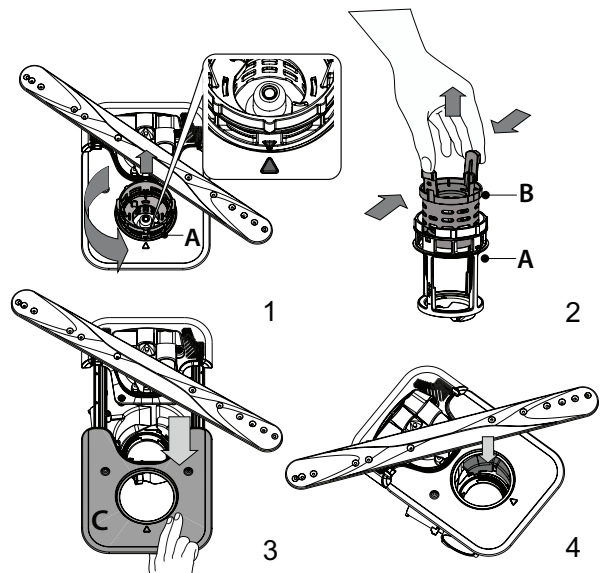
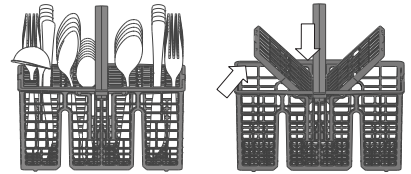
Kuidas Power Clean®-i kasutada:

1. Reguleerige Power Clean®-i ala (**G**), pöörates pottide mahutamiseks tagumised taldrikuhoidjad alla.
2. Laduge potid ja kastrulid vertikaalselt Power Clean®-i alale. Potid peavad olema veejuga suunas kaldu.

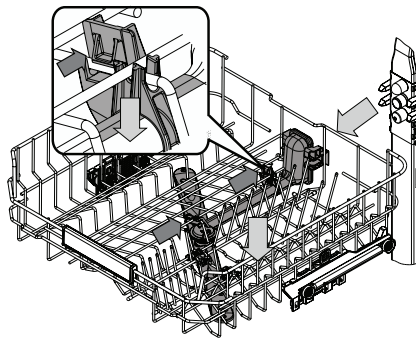
**SÖÖGIRIISTADE KORV**

Söögiriistade optimaalseks paigutamiseks on see varustatud katterestidega. Söögiriistade korvi tohib paigutada ainult alumise resti eesmisel ossa.

Noad ja muud teravad esemed tuleb söögiriistakorvi paigutada teradega allapoole või asetada need horisontaalselt ülemise resti ülestõstetavate tuge vahele.



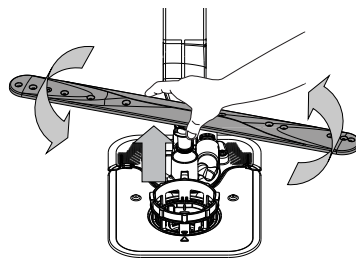
PIHUSTIHOODE PUHASTAMINE



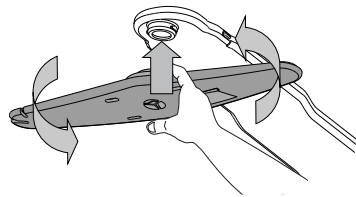
Vahel võivad toiduosakesed kleepuda pihustihoobade külge ja ummistada vee pihustusavad. Seepärast soovitame hoobasid aeg-ajalt kontrollida ja väikese mitte-metallist harjaga puhastada.

Ülemine pihusti tuleb eemaldada koos kollektoriga.

Kõrgeim rest on fikseeritud pesutoru, mille kõik pihustid on suunatud ülespoole. Selle puhastamiseks tuleb rest välja tõmmata ja eemaldada näpitsatega pihustite vahele jäänud elemendid.



Alumise pihustihoova saab eemaldada ülespoole tõmmates ja vastupäeva pöörates. Pihustihoova tagasi paigaldamiseks tõmmake seda alla ja pöörake päripäeva.



Ülemise pihustihoova saab eemaldada ülespoole lükates ja vastupäeva pöörates. Pihustihoova tagasi paigaldamiseks tõmmake seda üles ja pöörake päripäeva.

VEAOTSING

Kui nõudepesumasin ei tööta korralikult, kontrollige, kas probleemi on võimalik lahendada allpool oleva loendi abil. Kui esineb muid vigu või probleeme, pöörduge volitatud müüjijärgsesse teenindusse, mille kontaktandmed leiате garantiibrošüürist. Varuosad on saadaval vastavalt kehtivatele erinõuetele kuni 7 või kuni 10 aastat.

PROBLEEMID	VÕIMALIKUD PÕHJUSED	LAHENDUSED
Soolaindikaator põleb	Soolapaak on peaaegu tühi.	Täitke paak soolaga (lisateavet - vt <i>SOOLANÕU TÄITMINE</i>). Kontrollige vajaduse korral vee kareduse sätet - vt <i>VEE KAREDUSE MÄÄRAMINE</i> .
Soolaindikaator vilgub	Soolapaak on tühi.	Täitke paak esimesel võimalusel soolaga. Seadme kasutamine ilma soolata võib selle sisekomponente kahjustada.
Loputusvahendi indikaator põleb või vilgub	Loputusvahendi dosaator on tühi. (Pärast täitmist võib loputusvahendi indikaator veel lühikeseks ajaks põlema jääda).	Täitke dosaator loputusvahendiga (lisateavet - vt <i>LOPUTUSVAHENDI DOSAATORI TÄITMINE</i>).
Katlakivieemaldi indikaator põleb või vilgub; kuvatud on alarm «DES».	Katlakivi koguneb seadme sisekomponentidele.	Eemaldage katlakivi kohe Isepuhastusprogrammi ning kaubandusvõrgust saadaval katlakivieemaldi abil (vt <i>VALIKUD JA FUNKTSIOONID</i>). Täitke paak soolaga. Kontrollige vee kareduse sätet. Kui seadmest ei eemaldata katlakivi, lakkab see töötamast.
Nõudepesumasin ei käivitu või ei reageeri käskudele.	Masin ei ole korralikult vooluvõrguga ühendatud.	Ühendage pistik seinakontakti.
	Voolukatkestus.	Ohutuse tagamiseks ei käivitu nõudepesumasin toite taastamise järel automaatselt. Avage nõudepesumasina uks, vajutage nuppu STARDI/Pausi ja sulgege uks 4 sekundi jooksul.
	Nõudepesumasina uks ei ole suletud. NaturalDry tihvt pole sissetõmmatud.	Lükake ust tugevalt, kuni kuulete klõpsu.
	Tsükkel katkeb, kui uks avatakse kauemaks kui 4 sekundit.	Vajutage nuppu STARDI/Pausi ja sulgege uks 4 sekundi jooksul.
	Juhtpaneel ei reageeri või on kuvatud F6 E1 .	Lülitage seade nupuga SISSE/VÄLJA välja, lülitage see ligikaudu ühe minuti pärast uuesti sisse ja taaskäivitage programm. Kui probleem ei kao, lahutage seade 1 minutiks vooluvõrgust ja ühendage see siis uuesti.
Vesi ei voola nõudepesumasinat välja. Ekraanil kuvatakse: F7 E3 või F9 E1	Toidujäägid või katlakivi on filtri ummistanud. Äravooluvoolik on kokku surutud. Vee äravool on umbes.	Clean the filter and descale the appliance (vt <i>FILTRI PUHASTAMINE</i> ja <i>KATLAKIVI EEMALDAMINE</i>). Kontrollige äravooluvoolikut (vt <i>PAIGALDUSJUHENDIT</i>). Puhastage vee äravoolutoru.
Nõudepesumasin teeb liiga tugevat müra.	Nõud kolisevad üksteise vastu.	Asetage nõud õigesti (vt <i>RESTIDE TÄITMINE</i>).
	Masinas on liiga palju vahtu.	Pesuvahendit on valesti doseeritud või ei sobi see nõudepesumasinas kasutamiseks (vt <i>PESUVAHENDI DOSAATORI TÄITMINE</i>). Taaskäivitage praegune tsükkel, lülitades nõudepesumasina VÄLJA, seejärel lülitage see uuesti sisse, valige uus programm, vajutage STARDI/Pausi ja sulgege uks 4 sekundi jooksul. Ärge lisage pesuvahendit.
	Nõud ei ole õigesti paigutatud.	Asetage nõud õigesti (vt <i>RESTIDE TÄITMINE</i>).
	Toidujäägid või katlakivi on filtri ummistanud.	Puhastage filtri koost (vt <i>HOOLDUS</i>).
Nõud ei ole puhtad.	Nõud ei ole õigesti paigutatud.	Asetage nõud õigesti (vt <i>RESTIDE TÄITMINE</i>).
	Pihustihoovad ei saa vabalt liikuda, sest nõud takistavad neid.	Asetage nõud õigesti (vt <i>RESTIDE TÄITMINE</i>). Kontrollige, kas ülemine rest on õiges asendis, vajaduse korral reguleerige seda (tõstke üles).
	Pesutsükkel oli liiga õrn.	Valige sobiv pesutsükkel (vt <i>PROGRAMMIDE TABEL</i>).
	Masinas on liiga palju vahtu.	Pesuvahendit on valesti doseeritud või ei sobi see nõudepesumasinas kasutamiseks (vt <i>PESUVAHENDI DOSAATORI TÄITMINE</i>).
	Loputusvahendi dosaatori kork ei ole õigesti suletud.	Veenduge, et loputusvahendi dosaatori kaas on suletud.
	Toidujäägid või katlakivi on filtri ummistanud.	Puhastage filter ja eemaldage seadmest katlakivi (vt <i>FILTRI PUHASTAMINE</i>).
	Soolapaak on tühi.	Täitke soolaanum (vt <i>SOOLANÕU TÄITMINE</i>).
Nõudepesumasinas ei tule vett. Ekraanil on kuvatud: H2O ja see põleb; kõlab helialarm.	Torustikus ei ole vett või on kraan kinni.	Veenduge, et torustikust tuleks vett ja kraan oleks lahti.
	Vee sisselaskevoolik on kokku surutud.	Kontrollige sisselaskevoolikut (vt <i>PAIGALDUS</i>). Avage nõudepesumasina uks, vajutage nuppu STARDI/Pausi ja sulgege uks 4 sekundi jooksul.
	Vee sisselaskevooliku sõel on umbes; see vajab puhastamist.	Kontrollige ja puhastage vee sisselaskevooliku sõela. Avage nõudepesumasina uks, vajutage nuppu STARDI/Pausi ja sulgege uks 4 sekundi jooksul.

PROBLEEMID	VÕIMALIKUD PÕHJUSED	LAHENDUSED
Nõudepesumasin lõpetab tsükli enne-aegselt. Ekraanil on kuvatud: F8 E3	Toidujäägid või katlakivi on filtri ummistanud.	Puhastage filter ja eemaldage seadmest katlakivi (vt <i>FILTRI PUHASTAMINE</i> ja <i>KATLAKIVI EEMALDAMINE</i>).
	Äravooluvoolik on liiga madalal või äravooluva juurest vaakumisse tõmmanud.	Kontrollige, kas äravooluvooliku ots asub õigel kõrgusel (vt <i>PAIGALDUS</i>). Kontrollige ühendust reoveesüsteemi ja paigaldage vajaduse korral õhuklapp.
	Masinas on liiga palju vahtu.	Pesuvahendit on valesi doseeritud või ei sobi see nõudepesumasinas kasutamiseks (vt <i>PESUVAHENDI DOSAATORI TÄITMINE</i>).
	Õhk veevarustuses.	Kontrollige, kas veevarustuses on lekkeid või pääseb õhk mingil muul viisil sisse.
Nõud ei ole kuivad.	Loputusvahendit pole või on seda liiga vähe.	Veenduge, et loputusvahendi dosaator oleks täidetud (vt <i>LOPUTUSVAHENDI DOSAATORI TÄITMINE</i>). Ainult mitmeotstarbeliste tablettidega ei saavutata sama head kuivatust kui vedelat loputusvahendit kasutades.
	Nõud on masinast eemaldatud pärast ukse automaatset avanemist, kuid enne tsükli tegelikku lõppemist.	Veenduge, et tsükkel oleks lõppenud, enne kui alustate nõude väljavõtmist (vt <i>IGAPÄEVANE KASUTAMINE</i>). Veelgi parema kuivatuse saavutamiseks on soovitatav lasta nõudel nõudepesumasinas avatud uksega pärast tsükli lõppemist veel 15 minutit seista.
	Nõud pole piisava kalde all.	Kui täheldate topside, kruuside või kausside süvendites vett, proovige nõud suurema kalde all paigutada (eriti ülemisel restil), et suurem kogus vett saaks enne kuivatamise algust maha tilkuda.
	Valitud tsükliil puudub kuivatusfaas.	Kontrollige <i>PROGRAMMIDE TABELI</i> , kas valitud programmil on olemas kuivatusfaas. Ilma kuivatusfaasita tsükli korral ei pruugi kuivatus olla soovitud tulemusega, seega on soovitatav valida kuivatusfaasiga tsükkel.
Nõud on tehtud teflonist või plastikust.	Seda tüüpi materjali korral on mõnede veetilkade esinemine normaalne.	
Nõudel ja klaasidel on sinised triibud või sinakad jäljed.	Loputusvahendi kogus on liiga suur.	Valige väiksem kogus.
Nõudel ja klaasidel on näha katlakivi või valkjaid plekke.	Soolapaak on tühi.	Täitke paak esimesel võimalusel soolaga. Seadme kasutamine ilma soolata võib selle sisekomponente kahjustada.
	Vee kareduse säte on liiga väike.	Valige suurem väärtus (vt <i>VEE KAREDUSE TABELI</i>).
	Soolanõu kork pole korralikult suletud.	Kontrollige soolapaagi korki ja sulgege see.
Loputusvahendi paak on tühi või loputusvahendi kogus on liiga väike.	Täitke dosaator loputusvahendiga ja kontrollige doosi sätet (lisateavet - vt <i>LOPUTUSVAHENDI DOSAATORI TÄITMINE</i>).	
Nõudepesumasinal on kuvatud: F8 E5	Klapp on blokeeritud või defektne.	Sulgege võimaluse korral veekraan. Ärge lülitage toiteallikat välja. Helistage teenindusse.

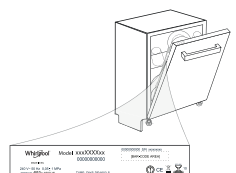


Poliitika, standardite dokumentatsioon ja toote lisateave on saadaval järgmiselt:

- QR-koodi kasutamine ja külastades veebisaiti docs.whirlpool.eu/docs
- Külastades veebisaiti parts-selfservice.europeanappliances.com
- Teise võimalusena **võtke ühendust meie müüjijärgse teeninduskeskusega** (vt telefoninumbrit garantiikirjas). Kui võtate ühendust müüjijärgse teenindusega, siis teatage neile oma toote andmeplaadil olevad koodid.

Mudeliteavet on võimalik näha QR-koodi kasutades, mille leiata energiasildilt.

Sildil on lisaks mudeli identifikaator, mida saab kasutada registriportaalis aadressil <https://eprel.ec.europa.eu>.





MERCI D'AVOIR CHOISI UN PRODUIT WHIRLPOOL.
 Afin de recevoir une assistance plus complète, merci d'enregistrer votre appareil sur: www.whirlpool.eu/register

Avant d'utiliser l'appareil, il convient de lire attentivement les consignes de sécurité et d'installation. Pour en savoir plus concernant votre produit, consulter le site Internet : docs.whirlpool.eu/docs

⚠ Après l'installation, rappelez-vous d'enlever toutes les pièces de protection pour le transport du lave-vaisselle.

PANNEAU DE COMMANDE

1. Touche et voyant **MARCHE-ARRÊT/Réinitialisation**
2. Touche de **programme PRÉCÉDENT**
3. Touche de **programme SUIVANT**
4. Touche et voyant **programme FAVORI**
5. Témoin de réservoir de sel vide
6. Témoin de réservoir de liquide de rinçage vide
7. Témoin **DÉTARTRAGE**
8. Voyant **Robinet d'eau fermé**
9. **Écran**
10. Indicateur de **numéro de programme et de temps restant**
11. Touche et voyant de l'**option Power Clean**



12. Touche et voyant **d'option Demi-charge/Réglages** - pression de 3 secondes
13. Touche et voyant **d'option Extra Sec**
14. Touche et voyant **d'option Départ Différé**
15. Touche et voyant **DÉPART/Pause**

PREMIÈRE UTILISATION

MENU DE RÉGLAGE

1. Allumer l'appareil en appuyant sur la touche **MARCHE-ARRÊT** (⏻).
2. Maintenir la touche **Réglages** (⚙) (Demi-charge (1/2)) pendant 3 secondes jusqu'à ce que vous entendiez un bip et que l'écran affiche « **SET** ».
3. Après une seconde, le premier réglage disponible (lettre « **h** ») s'affichera.
4. Appuyer sur **PRÉCÉDENT/SUIVANT** (</>) pour faire défiler la liste des réglages disponibles (voir tableau ci-dessous), puis appuyer sur **DÉPART/Pause** (▶||) pour visualiser la valeur du réglage actuellement sélectionné.
5. Appuyer sur **PRÉCÉDENT/SUIVANT** (</>) pour modifier la valeur, puis appuyer sur **DÉPART/Pause** (▶||) pour enregistrer la nouvelle valeur et revenir au menu principal.
6. Pour changer un autre réglage, répéter les points 4 à 5.
7. Appuyer sur **MARCHE-ARRÊT** (⏻), ou attendre 30 secondes pour quitter le menu.

LETTRE	RÉGLAGE	VALEURS (Par défaut - en gras)
h	Niveau de dureté de l'eau (voir « RÉGLER LA DURETÉ DE L'EAU » et « TABLEAU DE DURETÉ DE L'EAU »)	1 2 3 4 5
l	Niveau de liquide de rinçage (voir « AJUSTER LE DOSAGE DU LIQUIDE DE RINÇAGE »)	0 1 2 3 4 5
n	NaturalDry (voir « OPTIONS ET FONCTIONS ») "1" = Oui, "0" = Non	1 0
s	Éclairage au sol (voir « OPTIONS ET FONCTIONS ») "1" = Oui, "0" = Non	1 0
u	Sonnerie "1" = Oui, "0" = Non	1 0
r	Réglages d'usine Appuyer sur DÉPART/Pause pour rétablir aux réglages par défaut d'usine toutes les valeurs des réglages incluses dans le menu Réglages.	-

Tableau de dureté de l'eau			
Niveau	°dH Degrés allemand	°fH Degrés français	°Clark Degrés anglais
1 (très douce)	0 - 6	0 - 10	0 - 7
2 (moyenne)	7 - 11	11 - 20	8 - 14
3 (douce)	12 - 16	21 - 29	15 - 20
4 (dure)	17 - 34	30 - 60	21 - 42
5 (très dure)	35 - 50	61 - 90	43 - 62

Pour changer, suivez les instructions de la section « MENU DE RÉGLAGE ». **Utilisez seulement le sel spécialement conçu pour les lave-vaisselle.** Lorsque le sel est versé dans l'appareil, le voyant AJOUTER DU SEL s'éteint. **Si le contenant de sel n'est pas rempli, l'adoucisseur et l'élément chauffant peuvent être endommagés à cause de l'accumulation de calcaire. L'utilisation de sel est recommandée avec n'importe quel type de lessive pour lave-vaisselle.**

SYSTÈME ADOUCISSEUR D'EAU

L'adoucisseur d'eau réduit automatiquement la dureté de l'eau, en empêchant ainsi la formation de calcaire sur la résistance, et en contribuant également à une meilleure performance de nettoyage.

Ce système se régénère avec du sel, il est donc nécessaire de remplir le bac de sel lorsqu'il est vide.

La fréquence de régénération dépend du réglage du niveau de dureté de l'eau - la régénération a lieu une fois tous les **4-6** cycles Eco avec un niveau de dureté de l'eau réglé à **3**. Le processus de régénération a lieu en fin de cycle pendant que le lave-vaisselle est à l'arrêt. Au début de cycle suivant, le rinçage des résines permet d'évacuer tout le calcaire précipité et le saumur résiduel.

- Une régénération simple consomme : ~3 L d'eau ;
- Prend jusqu'à 5 minutes supplémentaires pour le cycle ;
- Consomme moins de 0,005 kWh d'énergie.

REMPLEIR LE RÉSERVOIR DE SEL RÉGÉNÉRANT

L'utilisation de sel régénérant empêche la formation de CALCAIRE sur la vaisselle et sur les composantes fonctionnelles de l'appareil.

Le réservoir de sel est situé dans la partie inférieure du lave-vaisselle (sous le panier inférieur sur le côté gauche).

- Le réservoir de sel **NE DOIT JAMAIS ÊTRE VIDE.**
- Il est important de régler la dureté de l'eau.
- Il convient de faire l'appoint de sel lorsque le voyant **REMPLEISSAGE SEL** (S) est allumé sur le panneau de commande.



1. Enlevez le panier inférieur et dévissez le bouchon du réservoir (sens antihoraire).
2. Placez l'entonnoir (voir figure) et remplissez le réservoir de sel jusqu'au bord (environ 0,5 kg); il est normal qu'un peu d'eau déborde.
3. **La première fois uniquement, vous devez effectuer l'opération suivante: remplissez d'eau le réservoir à sel.**

4. Enlevez l'entonnoir et essuyez les résidus de sel autour de l'ouverture. Assurez-vous que le bouchon est bien serré pour éviter que du détergent pénètre dans le réservoir durant le cycle de lavage (le réservoir pourrait s'endommager au point de ne plus être réparable).

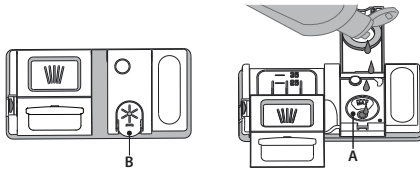
Exécuter un programme dès que vous complétez le remplissage du réservoir de sel afin d'éviter la corrosion.

Régler la dureté de l'eau

Pour que l'adoucisseur d'eau fonctionne à la perfection, il est important de régler la dureté de l'eau aux conditions existantes dans votre lieu de résidence. Cette information peut être obtenue de votre fournisseur d'eau local. L'usine règle la valeur par défaut de la dureté de l'eau. Le réglage d'usine est de « **3** ». Voir « **TABLEAU DE DURETÉ DE L'EAU** ».

REMPLEIR LE DISTRIBUTEUR DE LIQUIDE DE RINÇAGE

Le liquide de rinçage permet à la vaisselle de SÉCHER plus facilement. Le distributeur de liquide de rinçage **A** devrait être rempli lorsque le voyant de NIVEAU DE LIQUIDE DE RINÇAGE (S) est allumé à l'écran.



1. Ouvrez le distributeur **B** en appuyant et en tirant sur l'onglet sur le couvercle.
2. Versez doucement du liquide de rinçage jusqu'à la marque de référence (110 ml) du réservoir de remplissage - évitez les débordements.

Si cela se produit, nettoyez les dégâts immédiatement avec un linge sec.

3. Appuyez sur le bouchon pour le fermer; un clic se fait entendre. **Ne JAMAIS verser le liquide de rinçage directement dans la cuve.**

Ajuster le dosage du liquide de rinçage

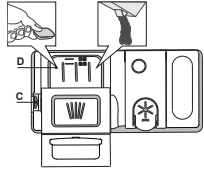
Si vous n'êtes pas complètement satisfait avec le séchage, vous pouvez ajuster la quantité de liquide de rinçage utilisée.

Pour changer, suivre les instructions dans la section « MENU DE RÉGLAGE ». Si le niveau de liquide de rinçage est à ZÉRO, il n'y aura pas de liquide de rinçage distribué. Dans ce cas, le voyant **LIQUIDE DE RINÇAGE BAS** ne s'allumera pas s'il ne reste plus de liquide de rinçage.

Un maximum de **6** niveaux peuvent être réglés selon le modèle du lave-vaisselle.

- Si vous observez des traces bleuâtres sur la vaisselle, placez sur un niveau plus bas (1-2).
- Si vous observez des gouttelettes d'eau ou des traces de calcaire sur la vaisselle, placez sur un niveau plus haut (4-5).

REPLIR LE DISTRIBUTEUR DE DÉTERGENT



Pour ouvrir le distributeur de détergent, utilisez le dispositif d'ouverture C. Insérez le détergent dans le distributeur sec D seulement. Placez la quantité de détergent pour le pré-lavage directement dans la cuve.

1. Lorsque vous dosez le détergent, consultez les informations mentionnées précédemment pour ajuster la quantité correcte. À l'intérieur du distributeur D se trouvent des indications pour aider au dosage de la lessive.

2. Enlevez les résidus de détergent sur le bord des récipients avant de fermer le couvercle; un clic se fait entendre.
3. Fermez le couvercle du distributeur de détergent en le tirant vers le haut jusqu'à ce que le dispositif soit fermement en place.

Le distributeur de détergent s'ouvre automatiquement, au moment déterminé par le programme.

L'utilisation d'un détergent non-conçu pour les lave-vaisselle peut provoquer un dysfonctionnement ou des dommages à l'appareil.

UTILISATION QUOTIDIENNE

1. VÉRIFIER LE BRANCHEMENT DE L'EAU

Assurez-vous que l'appareil est raccordé à un réseau d'alimentation et que le robinet de l'eau est ouvert.

2. ALLUMER LE LAVE-VAISSELLE

Ouvrez la porte et appuyez sur la touche **MARCHE-ARRÊT**.

3. CHARGER LES PANIERS (voir CHARGEMENT DES PANIERS).

4. REPLIR LE DISTRIBUTEUR DE DÉTERGENT

5. CHOISIR LE PROGRAMME ET PERSONNALISER LE CYCLE

Sélectionnez le meilleur programme selon le type de vaisselle et le niveau de saleté (voir DESCRIPTION DES PROGRAMMES) en appuyant sur la touche **PRÉCÉDENT/SUIVANT** sélectionnée.

Sélectionnez les options désirées (voir OPTIONS ET FONCTIONS). Toutes les options ne sont pas compatibles avec tous les programmes.

6. DÉMARRER

Démarrez le cycle de lavage et appuyez sur la touche **DÉPART/Pause** (le voyant est allumé) et en fermant la porte dans les 4 secondes. Quand le programme démarre, vous entendez un bip simple. Si la porte n'a pas été fermée dans les 4 secondes, le signal d'alarme est activé. Dans ce cas, ouvrez la porte, appuyez sur la touche **DÉPART/Pause** et fermez de nouveau la porte dans les 4 sec.

7. FIN DU CYCLE DE LAVAGE

La fin du programme de lavage est indiquée par un son et l'écran affiche **END (FIN)**. Ouvrez la porte et éteignez l'appareil en appuyant sur la touche **MARCHE-ARRÊT**.

Pour éviter de vous brûler, attendez quelques minutes avant de retirer la vaisselle. Déchargez les paniers en commençant par le panier inférieur.

MODIFICATION D'UN PROGRAMME EN COURS

Si vous avez sélectionné le mauvais programme, vous pouvez le changer, à condition que ce soit fait au tout début du cycle. Pour cela, effectuez une **RÉINITIALISATION** de la machine: appuyez sur la touche **MARCHE-ARRÊT** et maintenez-la appuyée pendant plus de 3 secondes, et la machine s'éteindra. Le tableau de commande affichera « 0:01 ». Fermez la porte et attendez la fin du cycle de vidange (environ 1 minute). Ouvrez la porte et rallumez la machine en utilisant le bouton **MARCHE-ARRÊT** et sélectionnez le nouveau programme de lavage et les éventuelles options souhaitées. Démarrer le cycle en appuyant sur la touche **DÉPART/Pause** et en fermant la porte dans les 4 secondes.

AJOUT DE VAISSELLE SUPPLÉMENTAIRE

Sans couper la machine, ouvrez la porte tout d'abord légèrement pour éviter que l'eau n'éclabousse (Le voyant **DÉPART/Pause** commence à clignoter) **Attention : vapeur chaude.** Placer la vaisselle dans le lave-vaisselle. Appuyez sur la touche **DÉPART/Pause** et fermez la porte dans les 4 sec, le cycle reprendra à l'endroit où il a été interrompu.

INTERRUPTIONS ACCIDENTELLES

Si la porte est ouverte durant le cycle de lavage, ou s'il y a une panne de courant, le cycle s'interrompt. Fermez la porte et le cycle reprendra au moment où il a été interrompu **UNIQUEMENT SI VOUS APPUYEZ** sur la touche **DÉPART/Pause** et fermer la porte dans les 4 secondes.

AVIS ET CONSEILS

CONSEILS

Avant de charger les paniers, enlevez tous les résidus de nourriture sur la vaisselle et videz les verres. **Vous n'avez pas besoin de rincer la vaisselle avant de la placer dans le lave-vaisselle.**

Placez la vaisselle pour qu'elle tienne bien en place et ne risque pas de tomber; et placez les récipients avec les ouvertures vers le bas et les parties concaves/convexes de côté pour permettre à l'eau d'atteindre toutes les surfaces et couler librement.

Avertissement : Vérifiez que les couvercles, poignées et poêle à frire n'empêchent pas les bras d'aspersion de tourner librement. Placez les petits articles dans le panier à couvert. La vaisselle et les casseroles très sales devraient être placées sur le panier inférieur car les jets d'eau sont plus forts dans cette section et permet un meilleur rendement lors du lavage. Après avoir chargé l'appareil, assurez-vous que les bras d'aspersion peuvent bouger librement.

VAISSELLE QUI NE CONVIENT PAS

- Vaisselle et couverts en bois.
- Verres décoratifs délicats, produits artisanaux, et vaisselle antique. Les garnitures ne sont pas résistantes.
- Les pièces en matériel synthétique qui ne supportent pas les hautes températures.
- La vaisselle en cuivre ou en étain.
- La vaisselle tachée de cendre, de cire, de graisse lubrifiante, ou d'encre.

Les couleurs des garnitures de verre et des pièces d'aluminium/argent peuvent changer et ternir durant le cycle de lavage. Certains types de verre (p. ex. les objets en cristal) peuvent aussi devenir opaque après plusieurs cycles de lavage.

VERRES ET VAISSELLE ENDOMMAGÉS

- Seulement utiliser des verres ou de la porcelaine qui sont lavables au lave-vaisselle conformément aux recommandations du fabricant.
- Utilisez un détergent doux, adéquat pour la vaisselle.
- Retirez les verres et les couverts du lave-vaisselle aussitôt que le cycle de lavage est terminé.

ASTUCES SUR L'ÉCONOMIE D'ÉNERGIE

- Lorsque le lave-vaisselle domestique est utilisé conformément aux instructions du fabricant, **le lavage de la vaisselle dans un lave-vaisselle consomme habituellement MOINS D'ÉNERGIE et d'eau que le lavage à la main.**
- Afin d'optimiser l'efficacité du lave-vaisselle, il est recommandé de **débuter le cycle de lavage une fois que le lave-vaisselle est totalement chargé.** Le chargement du lave-vaisselle domestique jusqu'à la capacité indiquée par le fabricant contribuera à économiser de l'énergie et de l'eau. Vous trouverez des informations sur le chargement correct de la vaisselle dans le chapitre CHARGEMENT DES PANIERS. En cas de chargement partiel, il est recommandé d'utiliser des options de lavage spécifiques si elles sont disponibles (Demi-charge / Zone Wash/ Multizone), en remplissant uniquement les paniers sélectionnés. Un chargement incorrect ou une surcharge du lave-vaisselle peut augmenter l'utilisation des ressources (telles que l'eau, l'énergie et le temps, et augmenter le niveau de bruit), en réduisant les performances de nettoyage et de séchage.
- Un pré-rinçage manuel des éléments de vaisselle provoque une augmentation de la consommation d'eau et d'énergie et n'est pas recommandé.

HYGIÈNE

Pour éviter les odeurs et les dépôts qui pourraient s'accumuler dans le lave-vaisselle, **lancer le programme Autonettoyant** (sans vaisselle à l'intérieur) **au moins une fois par mois** (cf. rubrique OPTIONS ET FONCTIONS).

RÉSISTANCE AU GEL

Si l'appareil est installé dans une pièce exposée au risque de gel, **vidangez-le complètement.** Fermez la valve d'eau, retirez les tuyaux d'arrivée et de vidange, puis laissez l'eau s'écouler. **Assurez-vous que l'adoucisseur d'eau est plein de sel régénérant dissous dans le réservoir de sel,** pour protéger l'appareil des températures pouvant aller jusqu'à -20°C. Si l'appareil a été conservé dans des conditions de gel, il doit rester à une température ambiante de 5°C minimum pendant **au moins 24 heures** avant la première utilisation.

TABLEAU DES PROGRAMMES

Pro-gramme	Description des programmes	Séchage	NaturalDry	Options disponibles *)	Durée du programme de lavage (h:min) ^{**)}	Consomma-tion d'eau (l/cycle)	Consom-mation d'énergie (kWh/cycle)
P1 Eco	Éco 50° - Le programme Eco est adapté pour nettoyer la vaisselle normalement sale. Pour cette utilisation, c'est le programme qui a une consommation d'eau et d'énergie la plus optimale. Il est utilisé pour évaluer la conformité à la législation européenne en matière d'éco-conception.	✓	✓		4:00	9,5	0,64
P2	Intensif Auto 65° - Programme automatique pour la vaisselle et les casseroles très sales.	✓	✓		2:25-3:10	15,5-24,5	1,30-1,70
P3	Mixte Auto 55° - Programme automatique pour de la vaisselle normalement sale avec des résidus d'aliments séchés.	✓	✓		1:20-3:00	7,5-19,5	0,75-1,20
P4	Rapide Auto 50° - Programme automatique pour de la vaisselle normalement et légèrement sale. Le cycle quotidien qui assure un nettoyage optimal et des performances de séchage en moins de temps.	✓	✓		1:00-1:50	7,5-15,5	0,70-1,10
P5	Rapide 45° - Ce programme est recommandé pour une quantité limitée de vaisselle légèrement sale sans résidus d'aliments séchés. N'inclut pas de phase de séchage.	-	✓		0:30-0:40	10-12	0,55-0,65
P6	Cristal 45° - Programme pour la vaisselle délicate, plus sensible aux températures élevées, comme les verres et les tasses.	✓	✓		1:40-1:50	12,5-16,5	0,95-1,20
P7	Silencieux 55° - Adéquat lorsque l'appareil fonctionne la nuit. Assure un nettoyage et des performances de séchage optimaux avec les plus faibles émissions de bruit.	✓	✓		3:50-4:10	10,5-14,5	0,80-1,15
P8	Antibactérien 65° - Vaisselle sale ou très sale, avec lavage antibactérien supplémentaire. Peut être utilisé pour effectuer l'entretien du lave-vaisselle.	✓	-		1:55-2:10	12-19	1,40-1,80
P9	Prélavage - Utilisez ce programme pour rafraîchir la vaisselle qui sera lavée plus tard. N'utilisez pas de détergent avec ce programme.	-	✓		0:12	4,5	0,10
P10	Autonettoyant 65° - Programme à utiliser pour effectuer l'entretien du lave-vaisselle, à réaliser uniquement lorsque le lave-vaisselle est VIDE en utilisant des détergents spécifiques conçus pour l'entretien du lave-vaisselle.	-	-		1:15	11,0	1,10

Les données du programme Éco sont mesurées sous des conditions en laboratoire conformément à la norme européenne EN 60436:2020. Note pour les laboratoires d'essai : pour toutes informations sur les conditions d'essai comparatif EN, s'adresser à : dw_test_support@whirlpool.com. Aucun prétraitement de la vaisselle n'est nécessaire avant l'un quelconque des programmes.

*) Les options ne peuvent pas toutes être utilisées en même temps.

**) Les valeurs indiquées pour des programmes différents du programme Éco sont fournis à titre indicatif uniquement. Le temps réel peut varier selon des facteurs comme la température et la pression de l'eau, la température de la pièce, la quantité de détergent, la quantité et le type de vaisselle, l'équilibre de la charge, les options supplémentaires sélectionnées, et la calibration du capteur. La calibration du capteur peut augmenter la durée du programme jusqu'à 20 minutes.

OPTIONS ET FONCTIONS

Les **OPTIONS** peuvent être sélectionnées/désélectionnées, après avoir choisi le programme, directement en appuyant sur la touche correspondante (si disponibles - les témoins s'allument) (voir le PANNEAU DE COMMANDE). Si une option n'est pas compatible avec le programme sélectionné (voir TABLEAU DES PROGRAMMES), le voyant correspondant clignote 3 fois et un bip se fait entendre. La fonction n'est pas activée. Une option peut changer le temps ou la consommation d'eau ou d'énergie du programme.

POWER CLEAN® - Grâce aux jets haute pression supplémentaires, cette option fournit un lavage plus intensif et puissant dans le panier inférieur, dans la zone spécifique. Elle est recommandée pour le lavage des poêles et des casseroles (Voir la section de chargement Power Clean®).

DEMI-CHARGE - S'il n'y a pas trop de vaisselle à laver, une option DEMI-CHARGE est utilisée pour économiser de l'eau, de l'électricité et du temps en fonction du programme choisi.

Rappelez-vous de diminuer de moitié la quantité de détergent.

EXTRA SEC - Une température supérieure pendant le rinçage final et une phase de séchage prolongée permettent un séchage amélioré. L'option EXTRA SEC prolonge le cycle de lavage.

DÉPART DIFFÉRÉ - Le début du programme peut être différé entre 30 minutes et 24 heures.

1. Sélectionnez le programme et les options souhaités. Appuyez sur la touche DÉPART DIFFÉRÉ (plusieurs fois) pour retarder le début du programme. Réglable de 0:30 à 24 heures. Une fois que le réglage de 24 heures est atteint, appuyer encore une fois sur DÉPART DIFFÉRÉ pour désactiver la fonction DÉPART DIFFÉRÉ.

2. Appuyez sur le touche DÉPART/Pause et fermez la porte dans un délai de 4 sec.: la minuterie commence le compte à rebours.

3. Une fois le temps écoulé, le voyant s'éteint et le programme démarre automatiquement.

La fonction DÉPART DIFFÉRÉ ne peut pas être modifiée lorsque le programme est en cours.

ÉCLAIRAGE AU SOL - Un voyant LED projeté sur le sol indique que le lave-vaisselle fonctionne. Le voyant s'éteint à la fin d'un cycle. Cette fonction est active par défaut, mais il est possible de la désactiver dans le « MENU DE RÉGLAGE ».

NaturalDry - C'est un système de séchage à convection qui ouvre automatiquement la porte pendant/après la phase de séchage pour assurer une performance de séchage exceptionnelle chaque jour. La porte s'ouvre à la température qui est sûre pour les meubles de votre cuisine. A titre de protection supplémentaire contre la vapeur, un adhésif anti-vapeur spécifiquement conçu est livré avec le lave-vaisselle. Pour voir comment poser cet adhésif, consulter le GUIDE D'INSTALLATION. Cette fonction est active par défaut, mais il est possible de la désactiver dans le « MENU DE RÉGLAGE ».

DÉTECTION - Lorsque le capteur détecte le niveau de saleté, une animation apparaît sur l'écran (environ 20 min.) et la durée du cycle est mise à jour. La DÉTECTION est destinée au niveau de salissure de la vaisselle et elle est présente pour tous les cycles de lavage (excepté Eco) en ajustant le programme en conséquence.

PROGRAMME FAVORI - Le programme favori peut être enregistré et sera facilement accessible. Trouver le programme en utilisant PRÉCÉDENT/SUIVANT, puis appuyer sur la touche de programme FAVORI pendant 3 secondes.

ROBINET D'EAU FERMÉ - Alarme
Clignote lorsqu'il n'y a pas d'arrivée d'eau ou que le robinet d'eau est fermé.

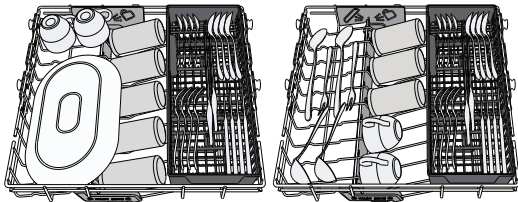
DÉTARTRAGE - Alarme - Une accumulation de tartre a été détectée sur des composants internes de l'appareil. Vérifier si le **Réglage de Dureté** de l'eau est à la valeur correcte et si **du sel est présent dans le réservoir de sel** (voir **PREMIÈRE UTILISATION**), puis **utiliser un produit détartrant** (la marque WPro est recommandée) avec le **programme Autonettoyant**. Après un détartrage réussi, l'icône s'éteindra.

Si les actions ci-dessus ne sont pas réalisées, les performances du produit se détérioreront. Un avertissement de « Détartrage » commencera à clignoter et une alarme « **dES** » apparaîtra sur l'écran. Si aucune action n'est entreprise, l'appareil pourra encore effectuer quelques cycles de lavage (nombre indiqué pendant l'affichage de l'alarme « **dES** ») puis il sera **BLOQUÉ** pour éviter les dommages aux composants, avec seulement le **programme Autonettoyant disponible**. La réalisation d'un détartrage complet déblocuera le produit. En cas de quantités très importantes de tartre, il est possible de devoir lancer deux fois successivement le programme Autonettoyant pour que le détartrage soit efficace.

CHARGEMENT DES PANIERS

PANIER LE PLUS HAUT

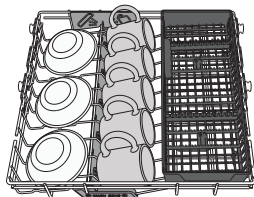
Le panier le plus haut est une zone de lavage dédiée aux bols, tasses, verres, couverts et ustensiles, que vous chargeriez habituellement dans les paniers inférieurs. Vous bénéficiez donc de plus de place pour le reste de la vaisselle quotidienne dans les autres paniers. L'espace dédié aux couverts facilite le rangement après le cycle de lavage et améliore la performance de lavage et de séchage.



Les couteaux et autres ustensiles avec des bords tranchants doivent être placés dans le panier à couverts avec la pointe vers le bas.

PANIER SUPÉRIEUR

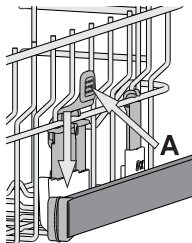
Chargez la vaisselle délicate et légère: verres, tasses, soucoupes, saladiers bas. Le panier supérieur comprend des supports rabattables qui peuvent être placés en position verticale pour charger des assiettes, ou en position horizontale (bas) pour faciliter le chargement des bols et autres récipients.



(exemple de chargement du panier supérieur)

Ajuster la hauteur du panier supérieur

Vous pouvez ajuster la hauteur du panier supérieur: position élevée pour placer la vaisselle encombrante sur le panier inférieur et éviter les chocs avec le panier supérieur; en créant plus d'espace en hauteur. Le panier supérieur comprend un dispositif de réglage de la hauteur (voir figure). Sans appuyer sur les leviers, soulevez simplement le panier supérieur en le tenant par les côtés jusqu'à ce qu'il soit stable en position élevée. Pour abaisser le panier, appuyez sur les leviers **A** sur les côtés du panier et déplacez-le vers le bas.



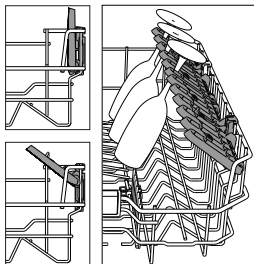
Nous vous conseillons fortement de ne pas ajuster la hauteur du panier lorsqu'il est chargé.

Ne JAMAIS soulever ou abaisser un seul côté du panier.

Volets pliables avec positions ajustables

Les volets pliables latéraux peuvent être pliés ou dépliés afin d'optimiser la disposition de la vaisselle à l'intérieur du panier. Les verres de vin peuvent être placés de façon sécuritaire dans les volets pliables en insérant le pied de chaque verre dans la fente correspondante. Selon le modèle:

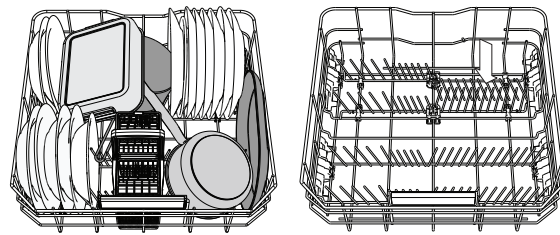
- pour déplier les volets, il est nécessaire de les coulisser vers le haut et de les tourner ou de les libérer des fixations et de les tirer vers le bas.
- pour replier les volets, il est nécessaire de les tourner et de les faire coulisser vers le bas ou de les tirer vers le haut et de les accrocher aux fixations.



CAPACITÉ : 14 couverts standards

PANIER INFÉRIEUR

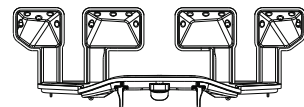
Pour les poêles, les couvercles, les plats, les saladiers, les couverts, etc. Les grands plats et les grands couvercles devraient être placés sur le côté pour éviter qu'ils n'entravent le fonctionnement des bras d'aspersion. Le panier inférieur comprend des supports rabattables qui peuvent être placés en position verticale pour charger des assiettes, ou en position horizontale (bas) pour faciliter le chargement des casseroles et des saladiers.



(exemple de chargement du panier inférieur)

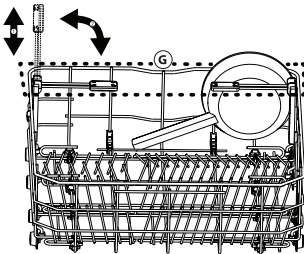
POWER CLEAN®

Power Clean® utilise des jets d'eau spéciaux, situés à l'arrière de la cavité, pour laver les articles très sales avec une intensité plus élevée. Le panier inférieur comprend une zone d'espace, un support spécial qui se trouve à l'arrière du panier, qui peut être utilisé pour supporter les poêles à frire et les moules dans une position verticale, prenant ainsi moins de place. Placer les poêles et les casseroles face aux jets Power Clean® situés à l'arrière de la cuve et activez **POWER CLEAN®** sur le bandeau.



Comment utiliser Power Clean®.

1. Réglez la zone Power Clean® (G) en rabattant les supports pour assiettes arrière pour charger des casseroles.
2. Chargez les grands plats et les casseroles en les inclinant à la verticale dans la zone Power Clean®. Les casseroles doivent être inclinées dans la direction des jets d'eau haute pression.

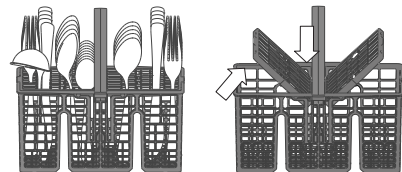


PANIER À COUVERT

Il comprend des grilles supérieures pour placer les couverts plus facilement.

Le panier à couvert doit uniquement être placé à l'avant du panier inférieur.

Les couteaux et autres ustensiles avec des bords tranchants doivent être placés dans le panier à couvert avec la pointe vers le bas, ou placés à l'horizontale dans le compartiment rabattable sur le panier supérieur.



NETTOYAGE ET ENTRETIEN

NETTOYER L'ENSEMBLE FILTRE

Nettoyez régulièrement l'ensemble filtre pour éviter qu'il ne se bouche et pour permettre aux eaux usées de bien s'éliminer.

L'utilisation du lave-vaisselle avec des filtres obstrués ou des corps étrangers à l'intérieur du système de filtration ou des bras de lavage peut provoquer un dysfonctionnement du lave-vaisselle en réduisant l'efficacité de lavage, en augmentant le bruit de fonctionnement et la consommation d'électricité.

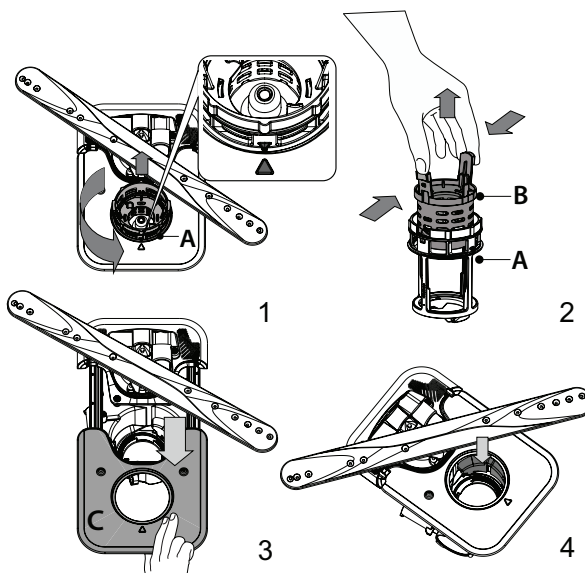
L'ensemble filtre comprend trois filtres qui séparent les résidus de nourriture de l'eau de lavage pour ensuite faire circuler l'eau.

N'utilisez pas le lave-vaisselle sans les filtres ou si un filtre est mal ajusté.

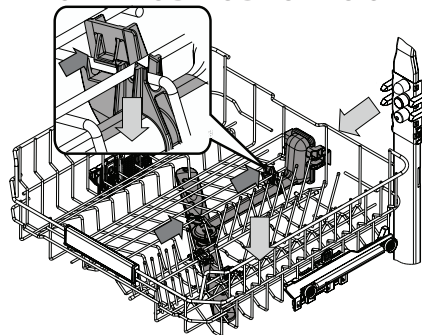
Au moins une fois par mois ou tous les 30 cycles, vérifiez l'assemblage du filtre et si nécessaire, nettoyez-le minutieusement sous l'eau courante, en utilisant une brosse non-métallique et en suivant les instructions ci-dessous:

1. Tournez le filtre cylindrique **A** dans le sens antihoraire et retirez-le (Fig. 1). **Il est important lors de la réinstallation du filtre que les deux triangles indiqués sur le zoom (Fig. 1) correspondent.**
2. Enlevez le panier du filtre **B** en appliquant une légère pression sur les volets latéraux (Fig. 2).
3. Retirez la plaque du filtre en acier inoxydable **C** (Fig. 3).
4. Si vous trouvez des objets étrangers (comme du verre brisé, de la porcelaine, des os, des pépins de fruits, etc), enlevez-les minutieusement.
5. Inspecter la cavité et enlever les résidus de nourriture. **NE JAMAIS ENLEVER** la protection de la pompe du cycle de lavage (indiqué par la flèche) (Fig 4).

Après avoir nettoyé les filtres, assemblez de nouveau l'ensemble filtre et remettez-le en place correctement; c'est très important pour que le lave-vaisselle garde son efficacité.



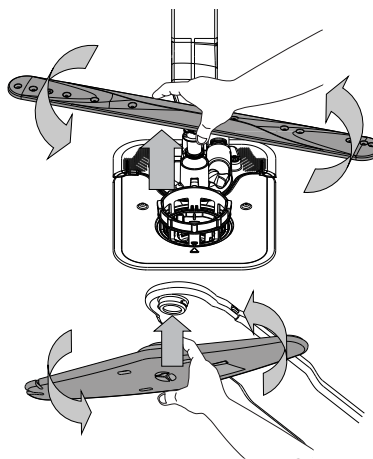
NETTOYER LES BRAS D'ASPERSION



Le panier le plus haut dispose d'une barre d'arrivée d'eau fixe avec des buses de lavage orientées vers le haut. Pour la nettoyer, vous pouvez faire coulisser le panier vers l'extérieur et retirer les éléments qui peuvent s'être logés dans les buses à l'aide d'une petite pince.

À l'occasion, des résidus de nourriture s'incrustent dans les bras d'aspersion et bloquent les trous utilisés pour asperger de l'eau. Il est donc conseillé de vérifier les bras de temps en temps et de les nettoyer avec une petite brosse non métallique.

Pour démonter le bras d'aspersion intermédiaire, il faut déclipser l'ensemble collecteur d'eau situé sous le panier supérieur.



Le bras d'aspersion inférieur se démonte en le tirant vers le haut, tout en le tournant dans le sens inverse des aiguilles d'une montre.

Pour remonter le bras d'aspersion inférieur, il faut le pousser vers le bas tout en le tournant dans le sens des aiguilles d'une montre.

Le bras d'aspersion supérieur se démonte en le tirant vers le bas, tout en le tournant dans le sens inverse des aiguilles d'une montre. Pour remonter le bras d'aspersion supérieur, il faut le pousser vers le haut tout en le tournant dans le sens des aiguilles d'une montre.

DÉPANNAGE

Si votre lave-vaisselle ne fonctionne pas correctement, vérifiez si le problème peut être résolu en suivant la liste ci-après. Pour d'autres erreurs ou problèmes, contactez le Service après-vente agréé dont les coordonnées peuvent être trouvées dans le livret de garantie. Les pièces de rechange seront disponibles pour une période allant jusqu'à 7 ou jusqu'à 10 ans, selon les exigences spécifiques du règlement.

PROBLÈMES	CAUSES POSSIBLES	SOLUTIONS
L'indicateur de sel est allumé	Le réservoir de sel est presque vide.	Remplissez le réservoir de sel régénérant (voir REMPLEUR LE RÉSERVOIR DE SEL). Réglez la dureté de l'eau (voir TABLEAU DE DURETÉ DE L'EAU).
Le voyant de niveau de sel clignote	Le réservoir de sel est vide.	Remplissez le réservoir avec du sel dès que possible. L'utilisation de l'appareil sans sel peut provoquer des dommages à ses composants internes.
Le voyant de liquide de rinçage est allumé ou clignote	Le distributeur de liquide de rinçage est vide. (Après le remplissage, il est possible que le voyant du liquide de rinçage reste allumé pendant un certain temps).	Remplissez le distributeur avec du liquide de rinçage (voir REMPLEUR LE DISTRIBUTEUR DE LIQUIDE DE RINÇAGE).
Le voyant de détartrage est allumé ou clignote ; L'alarme « dES » s'affiche.	Du calcaire s'accumule sur les composants internes de l'appareil.	Détartrez l'appareil immédiatement en utilisant le programme Autonettoyant et un produit détartrant disponible dans le commerce (voir OPTIONS ET FONCTIONS). Remplissez le réservoir avec du sel. Vérifiez le réglage de la dureté de l'eau. Si l'appareil n'est pas détartré, il arrêtera de fonctionner.
Le lave-vaisselle ou les commandes ne fonctionnent pas.	L'appareil n'est pas bien branché.	Insérez la fiche dans la prise de courant.
	Panne de courant.	Pour des raisons de sécurité, le lave-vaisselle ne redémarrera pas automatiquement lors du rétablissement du courant. Ouvrez la porte du lave-vaisselle, appuyez sur le touche DÉPART/Pause, et fermez la porte dans les 4 secondes.
	La porte du lave-vaisselle n'est pas fermée. La tige du système NaturalDry n'est pas rentrée.	Poussez vigoureusement la porte pour entendre le « clic ».
	Un cycle est interrompu en cas d'ouverture de la porte pendant plus de 4 secondes.	Appuyez sur DÉPART/Pause et fermez la porte dans les 4 secondes.
	Le panneau de commande ne répond pas ou le message F6 E1 est affiché.	Éteignez l'appareil en appuyant sur la touche MARCHE-ARRÊT/Réinitialisation, rallumez-le environ une minute après, et redémarrez le programme. Si le problème persiste, débranchez l'appareil pendant 1 minute, puis rebranchez-le.

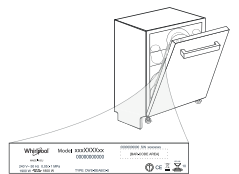
PROBLÈMES	CAUSES POSSIBLES	SOLUTIONS
Le lave-vaisselle ne se vidange pas. L'afficheur indique: F7 E3 ou F9 E1	Le filtre est bouché par des résidus de nourriture ou du calcaire.	Nettoyez le filtre et détartrez l'appareil (voir <i>NETTOYER L'ENSEMBLE FILTRE et INSTRUCTION POUR LE DÉTARTRAGE</i>).
	Le tuyau de vidange est plié.	Vérifiez le tuyau de vidange (voir <i>INSTRUCTIONS D'INSTALLATION</i>).
	Le conduit de vidange de l'évier est bouché.	Nettoyez le conduit de vidange de l'évier.
Le lave-vaisselle fait beaucoup de bruit.	La vaisselle s'entrechoque.	Remplacez la vaisselle correctement (voir <i>CHARGEMENT DES PANIERS</i>).
	Une quantité de mousse excessive est présente.	Le détergent a été mal mesuré ou il n'est pas adéquat pour les lave-vaisselle (voir <i>REPLISSAGE DU DISTRIBUTEUR DE DÉTERGENT</i>). Relancez le cycle en cours en éteignant le lave-vaisselle, puis en le rallumant, sélectionnez un nouveau programme, appuyez sur MARCHE-ARRÊT et fermez la porte dans les 4 secondes. Merci de ne pas ajouter de détergent.
	La vaisselle n'a pas été bien rangée.	Remplacez la vaisselle correctement (voir <i>CHARGEMENT DES PANIERS</i>).
	Le filtre est bouché par des résidus de nourriture ou du calcaire.	Nettoyez l'ensemble de filtre (voir <i>NETTOYAGE ET ENTRETIEN</i>).
La vaisselle n'est pas propre.	La vaisselle n'a pas été bien rangée.	Remplacez la vaisselle correctement (voir <i>CHARGEMENT DES PANIERS</i>).
	Les bras d'aspersion ne tournent pas librement, ils sont gênés par la vaisselle.	Remplacez la vaisselle correctement (voir <i>CHARGEMENT DES PANIERS</i>). Vérifier que le panier supérieur est dans la position correcte et ajuster le (lever) si nécessaire.
	Le cycle de lavage n'est pas assez intensif.	Sélectionnez le cycle de lavage approprié (voir <i>TABLEAU DES PROGRAMMES</i>).
	Une quantité de mousse excessive est présente.	Le détergent a été mal mesuré ou il n'est pas adéquat pour les lave-vaisselle (voir <i>REPLIR LE DISTRIBUTEUR DE DÉTERGENT</i>).
	Le bouchon du compartiment de liquide de rinçage n'est pas bien fermé.	Assurez-vous que le bouchon du distributeur de liquide de rinçage est fermé.
	Le filtre est bouché par des résidus de nourriture ou du calcaire.	Nettoyez le filtre et détartrez l'appareil (voir <i>NETTOYER L'ENSEMBLE FILTRE</i>).
	Le réservoir de sel est vide.	Remplir le réservoir de sel (voir <i>REPLIR LE RÉSERVOIR DE SEL</i>).
L'eau n'arrive pas au lave-vaisselle. L'afficheur indique : H2O et  est allumé ; une alarme sonore retentit.	L'alimentation d'eau est vide ou le robinet est fermé.	Assurez-vous qu'il y a de l'eau dans le circuit d'alimentation ou que le robinet est ouvert.
	Le tuyau d'arrivée d'eau est plié.	Vérifiez le tuyau d'entrée (voir <i>INSTALLATION</i>). Ouvrez la porte du lave-vaisselle, appuyez sur le touche DÉPART/Pause, et fermez la porte dans les 4 secondes.
	Le tamis dans le tuyau d'arrivée d'eau est obstrué; vous devez le nettoyer.	Vérifiez et nettoyez le tamis dans le tuyau d'entrée d'eau. Ouvrez la porte du lave-vaisselle, appuyez sur le touche DÉPART/Pause, et fermez la porte dans les 4 secondes.
Le lave-vaisselle termine son cycle prématurément. L'afficheur indique : F8 E3 .	Le bouchon du compartiment de liquide de rinçage n'est pas bien fermé.	Nettoyez le filtre et détartrez l'appareil (voir <i>NETTOYER L'ENSEMBLE FILTRE et INSTRUCTION POUR LE DÉTARTRAGE</i>).
	Le tuyau de vidange est positionné trop bas ou se vide dans le système d'évacuation domestique.	Vérifiez que le tuyau de vidange n'est pas trop engagé dans la canalisation murale du réseau d'évacuation des eaux usées (voir <i>INSTALLATION</i>). En cas d'un branchement du tuyau de vidange sur le syphon d'un évier de cuisine, il faut installer un dispositif anti retour pour éviter le risque de siphonnage du lave-vaisselle.
	Une quantité de mousse excessive est présente.	Le détergent a été mal mesuré ou il n'est pas adéquat pour les lave-vaisselle (voir <i>REPLIR LE DISTRIBUTEUR DE DÉTERGENT</i>).
	De l'air est présent dans l'alimentation en eau.	Vérifiez si l'alimentation en eau présente des fuites ou d'autres problèmes laissant entrer de l'air.
La vaisselle n'est pas bien séchée.	Il n'y a pas de liquide de rinçage ou le dosage est trop faible.	Assurez-vous que le distributeur de liquide de rinçage est rempli (voir <i>REPLIR LE DISTRIBUTEUR DE LIQUIDE DE RINÇAGE</i>). Les tablettes multifonctions ne donnent pas un résultat de séchage aussi bon que l'utilisation effective de liquide de rinçage.
	La vaisselle a été chargée après l'ouverture automatique de la porte mais avant la fin du cycle effectif.	Assurez-vous que le cycle a pris fin avant de commencer à décharger la vaisselle (voir <i>UTILISATION QUOTIDIENNE</i>). Pour des résultats de séchage encore meilleurs, il est recommandé de laisser la vaisselle à l'intérieur du lave-vaisselle avec la porte ouverte pendant 15 minutes supplémentaires après la fin du cycle.
	La vaisselle est positionnée trop à plat.	Si vous constatez des flaques d'eau dans les cavités des tasses, mugs ou bols, essayez de charger la vaisselle (en particulier dans le panier supérieur) de manière plus inclinée pour permettre à l'eau de s'égoutter davantage avant que le séchage ne débute.
	Le cycle sélectionné n'a pas de phase de séchage.	Vérifiez sur le <i>TABLEAU DE PROGRAMMES</i> si le programme sélectionné est équipé dans la phase de séchage. Un cycle sans phase de séchage ne peut pas donner une efficacité de séchage souhaitée, il est donc recommandé de changer la sélection de cycle pour celle qui présente une phase de séchage.
	La vaisselle est anti-adhérente ou en plastique.	Il est normal qu'il reste quelques gouttes d'eau sur ce type de matériau.
La vaisselle et les verres ont des traces bleues ou des teintes bleutées.	Le dosage du liquide de rinçage est excessif.	Ajuster le dosage à une valeur inférieure.
Des traces de calcaire ou un film blanc sont présentes sur la vaisselle et les verres.	Le réservoir à sel est vide.	Remplissez le réservoir avec du sel dès que possible. L'utilisation de l'appareil sans sel peut provoquer des dommages à ses composants internes.
	Le réglage de la dureté de l'eau est trop bas.	Augmenter le réglage (voir <i>TABLEAU DURETÉ DE L'EAU</i>).
	Le bouchon du réservoir de sel n'est pas bien fermé.	Vérifiez et fermez le bouchon du réservoir de sel.
	Le réservoir de liquide de rinçage est vide ou le dosage de liquide de rinçage est insuffisant.	Remplissez le distributeur avec du liquide de rinçage et vérifiez le réglage du dosage (pour plus d'informations - voir <i>REPLIR LE DISTRIBUTEUR DE LIQUIDE DE RINÇAGE</i>).
Le lave-vaisselle affiche F8 E5	La vanne est bloquée ou défectueuse.	Fermez le robinet d'eau, si possible. Ne coupez pas l'alimentation électrique. Appelez la maintenance.



Vous trouverez les documents normatifs, la documentation standard, le classement des pièces de rechange et des informations supplémentaires sur les produits:

- En utilisant le QR code sur votre produit et visitant notre site web docs.whirlpool.eu/docs
- En visitant notre site web parts-selfservice.europeanappliances.com
- Vous pouvez également **contacter notre Service après-vente** (voir numéro de téléphone dans le livret de garantie). Lorsque vous contactez notre Service après-vente, veuillez indiquer les codes figurant sur la plaque signalétique de l'appareil.

Les informations relatives au modèle peuvent être trouvées en utilisant le QR-Code figurant sur l'étiquette énergétique. L'étiquette comprend également l'identifiant du modèle qui peut être utilisé pour consulter le portail du registre sur le site <https://eprel.ec.europa.eu>.



FR





KÖSZÖNJÜK, HOGY A WHIRLPOOL TERMÉKÉT VÁLASZTOTTA!
Teljes körű támogatásért kérjük, regisztrálja termékét honlapunkon: www.whirlpool.eu/register

A készülék használata előtt olvassa el figyelmesen a Biztonsági és telepítési útmutatót. A termékről további információt a következő weboldalon talál: docs.whirlpool.eu/docs

⚠ A beszerelést követően ne felejtse el eltávolítani a mosogatógépből a szállításhoz használt védőelemeket.

KEZELŐPANEL

1. **BE-KI/Újraindítás** gomb és jelzőfény
2. **ELŐZŐ program** gomb
3. **KÖVETKEZŐ program** gomb
4. **KEDVENC program** gomb és jelzőfény
5. **Sótartály** üres jelzőfény
6. **Öblítőszer tartály** üres jelzőfény
7. **VÍZKÖMMENTESÍTÉS** jelzőfény
8. **Elzárt vízcsap** jelzőfény
9. **Kijelző**
10. **Programszám és hátralevő idő** jelzőfény
11. **Power Clean® opciógomb** és jelzőfény



12. **Fél töltet opciógomb** és jelzőfény/**Beállítások** - 3 másodperces lenyomás
13. **Extra Száraz opciógomb** és jelzőfény
14. **Késleltetés opciógomb** és jelzőfény
15. **INDÍTÁS/Szünet** gomb és jelzőfény

ELSŐ HASZNÁLAT

BEÁLLÍTÁSOK MENÜ

1. Kapcsolja be a készüléket a **BE-KI** (⏻) gombbal.
2. Tartva lenyomva a **Beállítások** (⚙) (Fél töltet (⏻)) gombot 3 másodpercig, amíg hangjelzést nem hall, és a kijelzőn megjelenik a „**SET**” üzenet.
3. Egy másodperc múlva megjelenik az első rendelkezésre álló beállítás („**h**” betű).
4. Nyomja meg a **ELŐZŐ**/**KÖVETKEZŐ** gombot a rendelkezésre álló beállítások (lásd a lenti táblázatot) listájának végiggörgetéséhez, majd nyomja meg a **INDÍTÁS/Szünet** (▶) gombot a kiválasztott beállítás értékének megtekintéséhez és módosításához.
5. Nyomja meg a **ELŐZŐ**/**KÖVETKEZŐ** gombot az érték módosításához, majd nyomja meg a **INDÍTÁS/Szünet** (▶) gombot az új érték mentéséhez és a főmenübe történő visszatéréshez.
6. További beállítások módosításához ismételje meg a 4. és az 5. lépést.
7. Nyomja meg az **BE-KI** (⏻) gombot, vagy várjon 30 másodpercet a menüből történő kilépéshez.

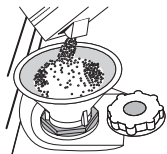
BETŰ	BEÁLLÍTÁSOK	ÉRTÉKEK (Alapértelmezett – félkövér)
h	Vízkeménység szintje (lásd „A VÍZKEMÉNYSEG BEÁLLÍTÁSA” és a „VÍZKEMÉNYSÉGI TÁBLÁZAT”)	1 2 3 4 5
a	Öblítő szintje (lásd: „A VÍZKEMÉNYSEG BEÁLLÍTÁSA”)	0 1 2 3 4 5
o	NaturalDry (lásd: „OPCIÓK ÉS FUNKCIÓK”) „1” = Be, „0” = Ki	1 0
e	Padlófény (lásd: „OPCIÓK ÉS FUNKCIÓK”) „1” = Be, „0” = Ki	1 0
s	Hang „1” = Be, „0” = Ki	1 0
i	Gyári beállítások Nyomja meg a INDÍTÁS/Szünet gombot a Beállítások menüben található beállítások értékének gyári alapértékre történő visszaállításához.	-

A SÓTARTÁLY FELTÖLTÉSE

Só használatával elkerülhető, hogy **VÍZKŐ** képződjön az edényeken és a gép funkcionális alkatrészein.

A sótartály a mosogatógép alsó részén található (a bal oldali alsó kosár alatt).

- Feltétlenül szükséges, hogy a **só tartály soha ne legyen üres.**
- Fontos, hogy a víz keménység be legyen állítva.
- Ha a **SÓ UTÁNTÖLTÉSE** jelzőfény (☼) világít a kezelőpanelen, só-t kell betölteni.



1. Vegye ki az alsó kosarat, és csavarja ki a tartály kupakját (az óramutató járásával ellentétes irányba).
2. Helyezze be a tölcser (lásd az ábrát), és töltsse fel teljesen a só tartályt (ehhez kb. 0,5 kg só szükséges). Előfordulhat, hogy egy kevés víz kifolyik a rekeszből.
3. **Csak a legelső használatkor: töltsse fel vízzel a só tartályt!**

4. Vegye ki a tölcser, és törölje le az esetlegesen kiszóródott sót a nyílás környékéről.

Zárja vissza szorosan a kupakot úgy, hogy a mosogatási program során ne kerülhessen mosogatószer a tartályba (ellenkező esetben a vízlágyító helyrehozhatatlanul károsodhat). **A korrózió megelőzése érdekében a só betöltését követően mindig futtasson egy programot.**

A vízkeménység beállítása

A vízlágyító akkor működik tökéletesen, ha a vízkeménységet a lakóhelyén elérhető víz tényleges keménysége alapján állítja be. Ezzel kapcsolatban érdeklődjön a helyi vízműveknél. A gyári beállítás a közepes „**3**” vízkeménység. Lásd „VÍZKEMÉNYSÉGI TÁBLÁZAT”.

Víz keménységi táblázat			
Szint	°dH Német rendszer	°fH Francia rendszer	°Clark Angol rendszer
1 (lágy)	0 - 6	0 - 10	0 - 7
2 (közepes)	7 - 11	11 - 20	8 - 14
3 (átlagos)	12 - 16	21 - 29	15 - 20
4 (kemény)	17 - 34	30 - 60	21 - 42
5 (nagyon kemény)	35 - 50	61 - 90	43 - 62

A módosításhoz kövesse a „BEÁLLÍTÁSOK MENÜ” részben leírt utasításokat. **Kizárólag mosogatógépekhez készült só-t használjon.**

Miután só-t öntött a készülékbe, a „SÓ UTÁNTÖLTÉSE” jelzőfény kialszik.

Ha nem tölti fel a só tartályt, a vízlágyító és a fűtőelem a vízkő felhalmozódása miatt károsodhat. Só használata bármilyen mosogatószer mellett ajánlott.

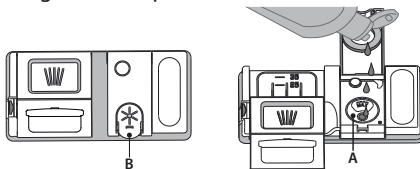
VÍZLÁGYÍTÓ RENDSZER

A vízlágyító rendszer automatikusan csökkenti a víz keménységét, így megelőzve a vízkő felhalmozódását a fűtőszálon, így jobb mosogatási hatékonyságot biztosítva. **A rendszer sóval regenerálja magát, ezért a só-tárolót kiürülés esetén fel kell tölteni.** A regenerálás gyakorisága a víz keménység szintjének beállításától függ - a regenerálás **4-6** Eco ciklus alatt történik meg **3-ra** állított vízkeménység szinttel. A regenerációs folyamat a ciklus elején további friss víz hozzáadásával történik.

- Egyetlen regenerálás során a készülék: ~3 l vizet használ fel;
- A program 5 perccel tovább tart;
- Kevesebb, mint 0,005 kWh energiát használ fel.

AZ ÖBLÍTŐSZER-ADAGOLÓ FELTÖLTÉSE

Az öblítőszerrel könnyebben SZÁRADNAK az edények. Az öblítőszer adagoló **A** akkor kell feltölteni, ha az **ÖBLÍTŐSZER UTÁNTÖLTÉSE** jelzőfény (☼) világít a kezelőpanelen.



1. Nyissa ki az adagolót **B** úgy, hogy a fedélen lévő fület lenyomja, majd felfelé húzza.
2. Óvatosan öntse be az öblítőszer-t. Ne lépje túl a tartályban jelölt maximális mennyiséget (110 ml), és ne öntse ki a folyadékot.

Ha ez mégis megtörténik, azonnal törölje fel a kiömlött folyadékot egy száraz ruhával.

3. Csukja vissza a fedelet: ehhez nyomja le, amíg kattanás nem hallatszik. **SOHA ne öntse az öblítőszer-t közvetlenül a mosogatóterbe.**

Az öblítőszer adagolása

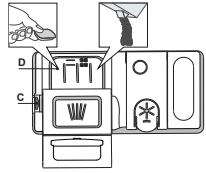
Ha nem elégedett a szárítási eredménnyel, módosítsa a használt öblítőszer mennyiségét.

Ha az öblítőszer szintjét 0-ra állítja, a készülék nem adagol öblítőszer-t. Az **ÖBLÍTŐSZER UTÁNTÖLTÉSE** jelzőfény nem fog kigyulladni, amikor kifogy az öblítőszer.

A mosogatógép típusától függően legfeljebb **6** szint állítható be.

- Ha kékes csíkok jelennek meg az edényeken, alacsony értéket állítson be (0-3).
- Ha vízcsapok vagy vízkő látható az edényeken, magas értéket állítson be (4-5).

A MOSOGATÓSZER-ADAGOLÓ FELTÖLTÉSE



A mosogatószer-adagoló nyításához használja az **C** eszközt. A mosogatószer kizárólag a száraz **D** adagolóba önthető. Az előmosogatáshoz használt mosogatószert közvetlenül a mosogatóterbe helyezze.

1. A mosogatószer kimérésekor a helyes mennyiség meghatározását az eddigi információk alapján végezze. A mosogatószer-adagoló **D** belsejében elhelyezett jelzések segítenek a megfelelő mennyiség meghatározásában.

2. Törölje le a kiömlött mosogatószert az adagoló széléről, majd zárja vissza a fedelet kattanásig.
3. Zárja vissza a mosogatószer-adagoló fedelét: húzza felfelé, amíg a zár szerkezet rögzül.

A mosogatószer-adagoló automatikusan kinyílik, amikor a program az adott szakaszba ér.

A nem mosogatógéphez készült mosogatószer használata a készülék hibás működését vagy sérülését okozhatja.

MINDENNAPI HASZNÁLAT

1. ELLENŐRIZZE A VÍZBEKÖTÉST

Ellenőrizze, hogy a mosogatógép rá van-e kötve a vízhálózatra, és hogy a csap nyitva van-e.

2. KAPCSOLJA BE A MOSOGATÓGÉPET

Nyissa ki az ajtót, és nyomja meg az **BE/KI** gombot.

3. A KOSARAK MEGTÖLTÉSE (lásd: A KOSARAK MEGTÖLTÉSE).

4. A MOSOGATÓSZER-ADAGOLÓ FELTÖLTÉSE

5. A PROGRAM KIVÁLASZTÁSA ÉS A CIKLUS BEÁLLÍTÁSA

Válassza ki az edények típusának és szennyezettségi fokának legmegfelelőbb programot (lásd *PROGRAMOK ISMERTETÉSE*) az ahhoz tartozó **ELŐZŐ/KÖVETKEZŐ** gombbal. Válassza ki a kívánt opciókat (lásd *OPCIÓK ÉS FUNKCIÓK*). Nem minden opció kompatibilis minden programmal.

6. INDÍTÁS

Indítsa el a mosogatósi programot: ehhez nyomja meg a **INDÍTÁS/Szünet** gombot (a LED világít), és 4 mp-en belül csukja be az ajtót. A program indulásakor egy sípolás hallatszik. Ha az ajtót nem csukja be 4 másodpercen belül, riasztás hallható. Ilyen esetben nyissa ki az ajtót, nyomja meg a **INDÍTÁS/Szünet** gombot, majd csukja vissza az ajtót 4 mp-en belül.

7. A MOSOGATÁSI CIKLUS VÉGE

A mosogatósi ciklus végén hangjelzés hallható, illetve a kijelzőn az **END (VÉGE)** üzenet jelenik meg. Nyissa ki az ajtót, és kapcsolja ki a készüléket az **BE/KI** gombbal.

Az égési sérülések elkerülése érdekében az edények kipakolása előtt várjon néhány percet. Vegye ki az edényeket. Először az alsó kosarat ürítse ki.

FOLYAMATBAN LÉVŐ PROGRAM MÓDOSÍTÁSA

Ha nem megfelelő programot választott, az közvetlenül az indulás után még módosítható. **Újraindítás** a készüléket: nyomja meg és tartsa lenyomva 3 mp-nél hosszabban az **BE/KI** gombot, ekkor a készülék kikapcsol. **A kijelzőn a „0:01” érték látható.** Csukja be az ajtót, és várjon, amíg a leeresztési ciklus véget ér (kb. 1 perc). Nyissa ki az ajtót, és kapcsolja vissza a készüléket az **BE/KI** gombbal, majd válassza ki az új mosogatósi programot és a kívánt opciókat. A program indításához nyomja meg a **INDÍTÁS/Szünet** gombot, és 4 mp-en belül csukja be az ajtót.

TOVÁBBI EDÉNYEK HOZZÁADÁSA

A készülék kikapcsolása nélkül nyissa ki az ajtót óvatosan, hogy ne folyhasson ki a víz (a **INDÍTÁS/Szünet** LED villogni kezd) (**Vigyázat! Forró gőz!**), majd helyezze be az edényeket a mosogatógépbbe. Nyomja meg a **INDÍTÁS/Szünet** gombot, és 4 mp-en belül csukja be az ajtót: a program onnan folytatódik, ahol korábban megszakította azt.

VÉLETLEN MEGSZAKÍTÁS

Ha a mosogatósi program futása közben kinyitják az ajtót, vagy elmeleg az áram, a program leáll. **AMENNYIBEN MEGNYOMJA** a **INDÍTÁS/Szünet** gombot és 4 mp-en belül becsukja az ajtót, a program onnan folytatódik, ahol korábban megszakította azt.

TANÁCSOK ÉS TIPPEK

TANÁCSOK

A kosarak megtöltése előtt távolítsa el az ételmaradékokat az edényekről, és ürítse ki a poharakat. **Mosogatás előtt nem szükséges folyó vízzel leöblíteni az edényeket.**

Az edényeket úgy rendezze el, hogy biztosan álljanak, ne dőljenek el könnyen. Az edények nyílása lefelé nézzen, és a homorú/domború részek ferdén álljanak, hogy a víz mindenhol elérjen, és akadálytalanul folyhasson. **Vigyázat!** A fedők, fogantyúk, tálak és serpenyők nem állítják meg a forgó szórókarokat.

A kisebb tárgyakat az evőeszközkosárba helyezze. Az erősen szennyezett edényeket az alsó kosárba kell helyezni, mivel ott erősebb a vízpermet, azaz jobb a mosogatósi eredmény. A készülék megtöltése után ellenőrizze, hogy a szórókarok forgását nem akadályozza-e valami.

GÉPBE NEM MOSOGATHATÓ EDÉNYEK

- Fából készült edények és evőeszközök.
- Kényes, díszes poharak, kézműves és antik edények. Ezek a díszítések nem bírják a gépi mosogatót.
- Szintetikus anyagból készült részek, amelyek nem bírják a magas hőmérsékletet.
- Réz- és bádgedények.
- Hamuval, viasszal, kenőzsírral vagy tintával szennyezett edények.

A poharakon lévő díszítés és az alumínium- vagy ezüstedények színe megváltozhat, kifakulhat a mosogatósi során. Egyes üvegtípusok (pl. kristályüveg) néhány mosogatósi ciklus után homályossá válhatnak.

A POHARAK ÉS AZ EDÉNYEK KÁROSODÁSA

- A készülékbe kizárólag olyan üveg- és porcelánedények helyezhetők, amelyek a gyártó állítása szerint mosogatógépbbe mosogathatók.
- Az edényekhez megfelelő, kímélő mosogatószert használjon.
- Az edényeket és az evőeszközöket a mosogatósi ciklus végeztével azonnal vegye ki a mosogatógépből.

A POHARAK ÉS AZ EDÉNYEK KÁROSODÁSA

- Ha a háztartási mosogatógépet a gyártó utasításainak megfelelően használják, **az edények mosogatógépbbe történő mosgatása általában KEVESEBB ENERGIÁT és vizet igényel, mint a kézi mosogatás.**
- A mosogatógép hatékonyságának maximalizálásához javasolt **a mosogatósi programot a mosogatógép teljes betöltése után indítani.** Ha a háztartási mosogatógépet a gyártó által jelzett kapacitásig tölti fel, azzal energiát és vizet takaríthat meg. Az edények helyes betöltésével kapcsolatos információt a **KOSARAK MEGRAKODÁSA** című fejezetben talál. Részleges betöltés esetén javasolt a megfelelő mosogatósi beállítást (Fél töltet / Zónamosogatás / Multizone) használni, ha lehetséges, csak a kijelölt kosarakat használva. A mosogatógép helytelen betöltése vagy túltöltése fokozhatja az erőforrások (például víz, energia és idő) felhasználását, megnövelheti a zajszintet, és csökkentheti a mosogatósi és szárítási teljesítményt.
- Az edények manuális előöblítése megnövekedett víz- és energiafogyasztást eredményezhet, és nem javasolt.

HIGIÉNYA

A mosogatógépből keletkező kellemetlen szag és lerakódások elkerülése érdekében legalább havonta egyszer futtasson le egy magas hőmérsékletű programot. Használjon egy teáskanál mosogatószert, és a készülék tisztításához futtassa le a programot edények nélkül.

FAGYTÜRÉS

Ha a készüléket fagynak kitett helyen tárolják, **teljesen le kell eresztetni.** Zárja el a vízcsapot, vegye le a be- és kimeneti tömlőket, és engedje le teljesen a vizet. **Ellenőrizze, hogy a sótartályban lévő vízlágyító biztosan tele van-e oldott regenerálószóval:** így védhető meg a készülék a -20 °C-nál hidegebb hőmérséklettel. Ha a készüléket fagyos körülmények között tárolták, az első indítás előtt **legalább 24 órára** min. 5 °C-os környezeti hőmérsékletre kell helyezni.

PROGRAMTÁBLÁZAT

Program	A programok bemutatása	Száritási fázis	NaturalDry	Választható beállítások *)	A mosogatósi program időtartama (óra:perc)**	Vízfogyasztás (liter/ciklus)	Energiafogyasztás (kWh/ciklus)
P1 Eco	Öko 50° - Az energiatakarékos programmal átlagosan szennyezett edényeket tisztíthat, amely a kombinált energia- és vízfogyasztása miatt a leghatékonyabb program, és a segítségével kiértékelhető, hogy a készülék megfelel-e az EU energiatakarékos kivitelre vonatkozó jogszabályának.	✓	✓	POWER CLEAN 1/2 + ↻	4:00	9,5	0,64
P2	Auto Intenzív 65° - Erősen szennyezett edények és serpenyők mosogatásához.	✓	✓	POWER CLEAN 1/2 + ↻	2:25-3:10	15,5-24,5	1,30-1,70
P3	Auto Vegyes 55° - Automatikus program normál szennyezettségű edényekhez, melyeken rászáradt ételmaradék található.	✓	✓	POWER CLEAN 1/2 + ↻	1:20-3:00	7,5-19,5	0,75-1,20
P4	Auto Gyors 50° - Automatikus program normál és enyhe szennyezettségű edényekhez. Mindennap használható program, amely rövidebb idő alatt is optimális mosogatósi és szárítási eredményt nyújt.	✓	✓	POWER CLEAN 1/2 + ↻	1:00-1:50	7,5-15,5	0,70-1,10
P5	Gyors 45° - Ez a program olyan kevés és enyhén szennyezett edényekhez használható, amelyek nem található rászáradt étel. Nem tartalmaz szárítási szakaszt.	-	✓	1/2 + ↻	0:30-0:40	10-12	0,55-0,65
P6	Üveg 45° - Program az olyan kényes edényekhez, melyek az átlagnál érzékenyebbek a magas hőmérsékletre.	✓	✓	1/2 + ↻	1:40-1:50	12,5-16,5	0,95-1,20
P7	Halk 55° - Ha a készüléket éjszaka kívánja működtetni, ez a megfelelő program. Az optimális teljesítmény garantált.	✓	✓	+ ↻	3:50-4:10	10,5-14,5	0,80-1,15
P8	Fertőtlenítő 65° - Normál vagy erősen szennyezett edényekhez használható program, amely egy kiegészítő antibakteriális mosogatót is tartalmaz.	✓	-	POWER CLEAN 1/2 + ↻	1:55-2:10	12-19	1,40-1,80
P9	Előmosogatás - Ezt a programot olyan edényekhez használhatja, amelyeket később szeretne elmosogatni. Ehhez a programhoz nem kell mosogatószert használni.	-	✓	1/2 ↻	0:12	4,5	0,10
P10	Öntisztítás 65° - A mosogatógép karbantartására szolgáló programot csak akkor alkalmazza, ha a mosogatógép ÜRES, valamint használjon a mosogatógép karbantartására alkalmas, speciális tisztítószert.	-	-	↻	1:15	11,0	1,10

Az ÖKO program adatainak mérése laboratóriumi körülmények között, az EN 60436:2020 európai szabvány előírásainak megfelelően történt. Megjegyzés a vizsgálat laboratóriumok számára: az EN összehasonlító vizsgálatának körülményeivel kapcsolatos információkért írjon a következő címre: dw_test_support@whirlpool.com.
Az edények előkezelése egyik programnál sem szükséges.

*) Nem minden opció használható egyszerre.

**) Az energiatakarékos programtól eltérő programokhoz megadott értékek csak tájékoztató jellegűek. A tényleges időtartam számos tényezőtől függ, mint például a belépő víz hőmérsékletétől és nyomásától, a helyiség hőmérsékletétől, a mosogatószer mennyiségétől, az edények mennyiségétől és típusától, a súlyelosztástól, a kiválasztott kiegészítő funkcióktól és az érzékelő kalibrációjától. Az érzékelő kalibrációja akár 20 perccel is növelheti a program hosszát.

OPCIÓK ÉS FUNKCIÓK

Az OPCIÓK a program kiválasztása után kiválaszthatók/törölhetők a megfelelő gomb megnyomásával (ha van – kigyullad a jelzőfény) (lásd KEZELŐPANEL). Ha valamely opció nem kompatibilis a kiválasztott programmal (lásd: PROGRAMOK TÁBLÁZATA), a megfelelő LED háromszor gyorsan felvilág, és sípoló hangjelzések hallhatók. Az opció nem aktív. Az opciók a program időtartamának, illetve víz- és energiafogyasztásának módosítására szolgálnak.

POWER CLEAN® - Mivel ez a program további szórófejeket is aktivál, a mosogatás az alsó kosár egy bizonyos területén jóval erőteljesebb. Ez az opció lábasok és tálak mosogatásához ajánlott (Lásd a Power Clean® betöltése részt).

FÉL TÖLTET - Ha nincs sok mosogatnivaló, akkor a víz, az áram és a mosogatószer megtakarítása érdekében használja a FÉL TÖLTET opciót. **Ne feledje, hogy ilyenkor csökkentett mennyiségű mosogatószert kell használni.**

EXTRA SZÁRAZ - Ha az utolsó öblítés magasabb hőmérsékleten történik és a szárítás hosszabb ideig tart, azzal növelhető a szárítás hatékonysága. Az EXTRA SZÁRAZ opció kiválasztásakor nő a mosogatósi ciklus hossza.

KÉSLELTETÉS - A program indítását 30 perctől 24 óráig terjedő időtartamig késleltetheti.

1. Válassza ki a programot és a tetszőleges opciókat. A program indításának késleltetéséhez nyomja meg (többször) a KÉSLELTETÉS gombot. 30 perc és 24 óra közötti időtartam állítható be. Amikor a 24 órás időtartamot eléri, nyomja meg még egyszer a KÉSLELTETÉS gombot a KÉSLELTETÉS funkció kikapcsolásához.

2. Nyomja meg a INDÍTÁS/Szünet gombot, és zárja be az ajtót 4 másodpercen belül. Az időzítő elkezd a visszaszámlálást.

3. A beállított idő leteltekor kialszik a jelzőfény, és automatikusan elindul a program. **KÉSLELTETÉS funkció nem állítható be, ha a program már fut.**

ÉRZÉKELÉS - Miközben az érzékelő a szennyezettség fokát méri, animáció látható a kijelzőn (kb. 20 percig), és a program időtartama frissül. Az érzékelő funkció az edények szennyezettségi mértékének meghatározására szolgál, és minden programnál használható (az Öko kivételével): a szükséges mértékben módosítja a programot.

A VÍZCSAP ZÁRVA VAN - A figyelmeztetés villog, ha nincs belépő víz, vagy el van zárva a vízcsap.

PADLÓFÉNY - A padlóra vetített LED-fény jelzi, hogy a mosogatógép működik. Egy program végén a fény kialszik. Ez a funkció alapértelmezés szerint aktív, de a „BEÁLLÍTÁSOK MENÜ” ki lehet kapcsolni.

NaturalDry - Olyan konvekciós szárítórendszer, amely automatikusan kinyitja az ajtót a szárítási fázis közben/után a folyamatos, kiemelkedően jó szárítási eredmény érdekében. Az ajtó csak olyan hőmérsékleten nyílik ki, amely nem károsítja a konyhaszerekrényeket.

A gőz ellen további védelmet nyújt a mosogatógéphez mellékelt, külön erre a célra tervezett védőfólia.

A védőfólia felhelyezésének lépéseit az ÜZEMBE HELYEZÉSI ÚTMUTATÓBAN találja.

Ez a funkció alapértelmezés szerint aktív, de a „BEÁLLÍTÁSOK MENÜ” ki lehet kapcsolni.

VÍZKÖMENTESÍTÉS - Riasztás - A készülék belső alkatrészein vízkölerakódás érzékelhető. **Ellenőrizze**, hogy a vízkeménység beállítása megfelelő értékű-e, és hogy a sótartályban van-e **só** (lásd ELSŐ HASZNÁLAT), majd használja a **vízköoldó terméket** (a WPro márka javasolt) **Öntisztítási programmal**. Sikeres vízkömentesítés után az ikon eltűnik.

Ha nem hajtja végre a fenti műveleteket, a készülék teljesítménye csökkenni fog. A kijelzőn villogni kezd a **Vízkömentesítés** figyelmeztetés, és megjelenik a **«DES»** riasztás. Ha továbbra sem végzi el a vízkömentesítést, a készülék csak bizonyos számú ciklus indítását fogja engedélyezni (a **«DES»** riasztással együtt jelenik meg), majd **BLOKKOLVA** lesz az alkatrészek sérülésének megelőzése érdekében, és csak az **Öntisztítási program lesz használható**. A teljes vízkömentesítés végrehajtásával feloldja a készülék blokkolását. Ha rendkívül nagy mennyiségű vízkö rakódott le, előfordulhat, hogy a vízkömentesítést kétszer kell végrehajtani a megfelelő hatékonyság érdekében.

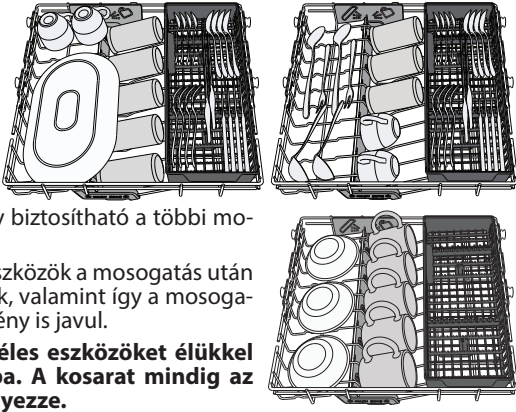
KEDVENC PROGRAM - A kedvenc program menthető és egyszerűen elérhető. Keresse meg a programot a **ELŐZŐ/KÖVETKEZŐ** gombbal, majd 3 másodpercig tartsa nyomva a **KEDVENC PROGRAM** gombot.

LEGMAGASABB SZINT

A legmagasabb szint kifejezetten tálak, bögrék, de akár olyan nagyobb tányérok és evőeszközök tisztítására szolgáló mosogatási zóna, amelyeket normál esetben az alsó szintre helyezünk, de így plusz hely biztosítható a többi mosogatnivalónak.

A külön gyűjtött evőeszközök a mosogatás után könnyebben kivethetők, valamint így a mosogatási és szárítási eredmény is javul.

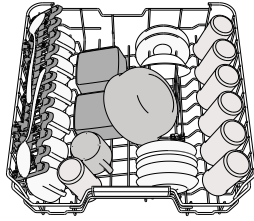
A késeket és egyéb éles eszközöket élükkel lefelé rakja a kosárba. A kosarat mindig az alsó kosár elejére helyezze.

**FELSŐ KOSÁR**

Ide helyezhetők a kényesebb és könnyű edények, például poharak, csészék, tálkák, kis salátástálak.

A felső kosár lehajtható tartóelemekkel rendelkezik: függőleges helyzetbe állítva csészealjkat, kistányérokat, leengedett helyzetbe állítva pedig tálakat, ételtartókat pakolhat be.

(példa a megtöltött felső kosárra)

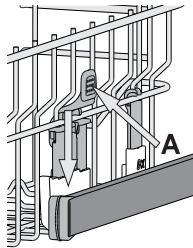
**A felső kosár magasságának beállítása**

A felső kosár magassága állítható. Ha a felső állásba állítja, az alsó kosárba nagyobb edények helyezhetők; ha az alsó állásba állítja, maximálisan kihasználhatók a lehajtható rögzítőelemek: függőlegesen több hely áll rendelkezésre, és az alsó kosárba pakolt edényeknek is elegendő hely jut.

A **felső kosár magasságbeállítóval** rendelkezik (lásd az ábrát). Magasabbra állításához fogja meg a kosár két oldalát, és az emelőkarok megnyomása nélkül emelje azt feljebb. A kosár a felső helyzetbe áll. Az alsó helyzetbe állításához nyomja meg a kosár két oldalán lévő emelőkarokat A, és tolja lefelé a kosarat.

Kifejezetten javasoljuk, hogy ne módosítsa a kosár magasságát akkor, amikor a kosárban edények találhatók.

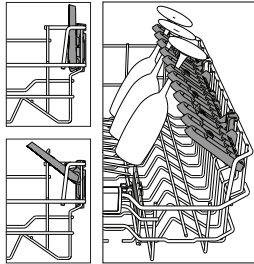
A kosár lejjebb vagy feljebb helyezésekor SOHA ne csak az egyik oldal magasságát módosítsa.

**Állítható magasságú lehajtható polcok**

A kosárban lévő edények optimális elrendezése érdekében az oldalsó polcok fel- és lehajthatók. A borospoharak biztonságosan helyezhetők a lehajtható polcokra: a poharak talpát illesse a megfelelő nyílásokba.

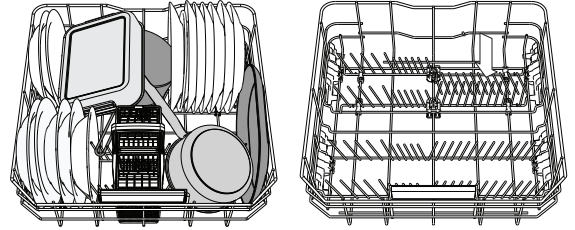
Készüléktípustól függően:

- a polcok lehajtásához csúsztassa azokat fel és forgassa el, vagy vegye ki a rögzítőkből és húzza lefelé.
- a polcok felhajtásához forgassa azokat el és csúsztassa lefelé, vagy húzza felfelé és rögzítse.

**ALSÓ KOSÁR**

Ide fazekak, fedők, tányérok, salátástálak, evőeszközök stb. pakolhatók. A nagyobb tányérokat és fedőket lehetőség szerint a kosár szélére helyezze, hogy biztosan ne érjenek a szűrőkarokhoz.

Az alsó kosár lehajtható tartóelemekkel rendelkezik: függőleges helyzetbe állítva tányérokat, vízszintes (leengedett) helyzetbe állítva pedig tálakat, lábasokat pakolhat be egyszerűen.



(példa a megtöltött alsó kosárra)

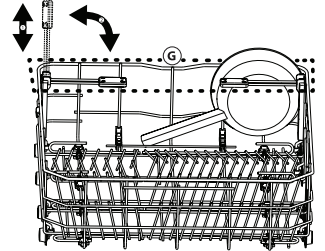
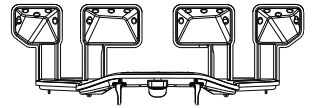
POWER CLEAN®

A Power Clean® során a készülék a mosogatótér hátsó része felől érkező vízsugarak segítségével intenzívebben mossa el az erősen szennyezett edényeket. Az alsó kosárban található egy ún. nagyterű zóna (Power Clean® támogatás). Ez a speciális, kihúzható tartóelem a kosár hátsó részén található, és lehetővé teszi a serpenyők és tepsik függőleges helyzetben történő elhelyezését, amivel hely takarítható meg.

Helyezze be a gépbe a fazekakat/tálakat úgy, hogy a Power Clean® berendezés felé nézzenek, majd kapcsolja be a kezelőpanelen a **POWER CLEAN®** opciót.

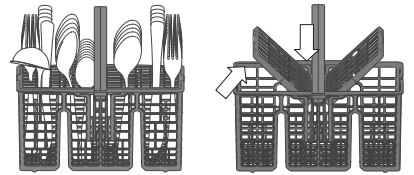
A Power Clean® funkció használata:

1. Készítse elő a Power Clean® területet (G): hajtja le a hátsó tányértartókat, hogy beférjenek az edények.
2. Tegye be a fazekakat és a tálakat úgy, hogy a Power Clean® terület felé dőljenek. A fazekakat a nagynyomású vízsugarak felé kell megdönteni.

**Evőeszközkosár**

A kosár felső ráccsal rendelkezik, melynek segítségével jobban elrendezhetők az evőeszközök. Az evőeszközkosár kizárólag az alsó kosár elülső részére helyezhető.

A késeket és egyéb éles eszközöket hegyükkel lefelé rakja az evőeszközkosárba, vagy helyezze azokat vízszintesen a felső kosár lehajtható tartólemeire.

**ÁPOLÁS ÉS KARBANTARTÁS****A SZÜRŐEGYSÉG TISZTÍTÁSA**

Rendszeresen tisztítsa ki a szűrőegységet, így megelőzhető a szűrők eltömődése, és a víz szabadon tud távozni.

Ha a mosogatógép használata során a szűrők el vannak tömődve, illetve ha a szűrőrendszerben vagy a szűrőkarokban tárgyak vannak, az a berendezés nem megfelelő működését okozhatja, ami a teljesítmény csökkenését, zajos működést vagy nagyobb erőforrás-felhasználást eredményezhet.

A szűrőegység három szűrőből áll, amelyek eltávolítják az ételmaradékokat a mosogatóvízből, majd visszaforgatják a vizet.

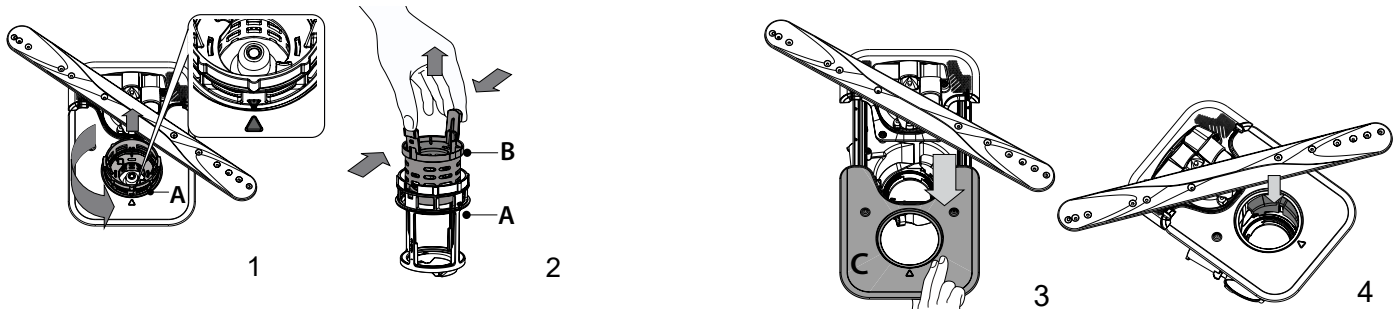
A mosogatógép nem használható szűrők nélkül vagy meglazult szűrővel.

Havonta legalább egyszer vagy 30 programonként ellenőrizze a szűrőegységet, és szükség esetén tisztítsa meg alaposan folyó víz alatt, nemfémes kefével, az alábbi utasításoknak megfelelően:

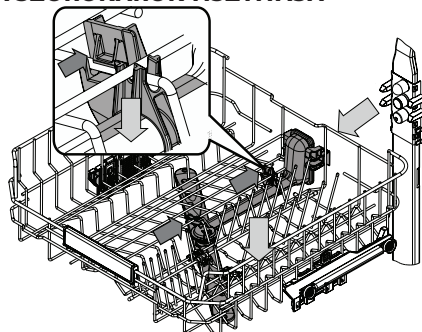
1. Forgassa a henger alakú szűrőt **A** az óramutató járásával ellentétes irányba, majd húzza ki (1. ábra). **A szűrő visszahelyezésekor fontos, hogy a képen lévő két háromszög pontosan illeszkedjen.**

2. Vegye ki a kehely alakú szűrőt **B** úgy, hogy enyhén megnyomja az oldalsó füleket (2. ábra).
3. Csúsztassa ki a rozsdamentes acélból készült szűrőlemezt **C** (3. ábra).
4. Ha idegen tárgyat (például törött üveget, porcelánt, csontot, gyümölcsmagot stb.) talál, **óvatossággal távolítsa el azt.**
5. Ellenőrizze a szűrőrészt, és távolítsa el az ételmaradékokat. **SOHA NE TÁVOLÍTSA EL** a mosogatóciklust végző pumpa védőfedelét (nyíl jelzi) (4. ábra)!

A szűrők tisztítása után helyezze vissza a szűrőegységet, és rögzítse megfelelően a helyére. Ez elengedhetetlen a mosogatógép hatékony működéséhez.

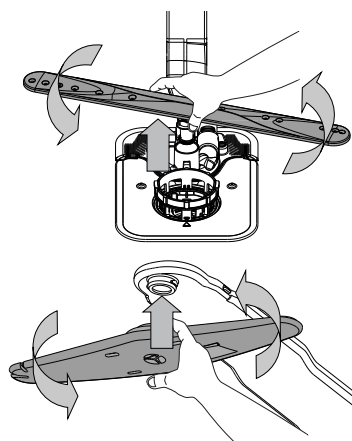


A SZÓRÓKAROK TISZTÍTÁSA



Időnként ételmaradék száradhat a szórókarokra, és eltömítheti a víz permetezésére szolgáló nyílásokat. Ezért javasoljuk, hogy rendszeresen ellenőrizze a szórókarokat, és tisztítsa meg azokat egy kisméretű, nemfémes kefével.

A felső szórókar az elosztóval együtt vehető le.



Az alsó szórókart felfelé húzva és az óramutató járásával ellentétes irányba elforgatva lehet kivenni a helyéről. A szórókart lefelé húzva és az óramutató járásával megegyező irányba elforgatva lehet visszaszerelni.


A felső szórókart felfelé nyomva és az óramutató járásával ellentétes irányba elforgatva lehet kivenni a helyéről. A szórókart felfelé húzva és az óramutató járásával megegyező irányba elforgatva lehet visszaszerelni.

A felső szint (legmagasabb szint) rögzített tömlővel rendelkezik, melyben a fűvókák felfelé néznek. Tisztításához húzza ki a szintet, és egy csipesszel távolítsa el a maradványokat.

HIBAELHÁRÍTÁS

Ha a mosogatógép nem megfelelően működik, ellenőrizze, hogy a probléma javítható-e az alábbi lista lépéseinek végrehajtásával. Más hibák vagy problémák esetében lépjen kapcsolatba a hivatalos vevőszolgálattal, amelynek kapcsolattartási adatai a garanciafüzetben találhatóak. A pótalkatrészek akár 7, akár 10 évig is rendelkezésre állnak, az adott rendelet követelményeinek megfelelően.

HIBA	LEHETSÉGES OK	MEGOLDÁS
A sómennyiségre figyelmeztető jelzőfény világít.	A sótartály hamarosan kiürül.	Töltse fel a tartályt sóval (további információ: lásd A SÓTARTÁLY FELTÖLTÉSE). Szükség esetén ellenőrizze a beállított vízkeménységet (lásd VÍZKEMÉNYSÉGI TÁBLÁZAT).
A sómennyiségre figyelmeztető jelzőfény villog.	A sótartály üres.	Minél hamarabb töltse fel a tartályt sóval. A készülék só nélkül történő használata károsíthatja annak belső alkatrészeit.
Az öblítőszer mennyiségére figyelmeztető jelzőfény világít vagy villog.	Az öblítőszer-adagoló üres. (Előfordulhat, hogy az öblítőszer mennyiségére figyelmeztető jelzőfény feltöltés után is világít egy rövid ideig).	Töltse fel a tartályt öblítőszerrel (további információ: - lásd AZ ÖBLÍTŐSZER-ADAGOLÓ FELTÖLTÉSE).
A vízkömentesítésre figyelmeztető jelzőfény világít vagy villog; a „dES” figyelmeztetés látható a kijelzőn.	A készülék belső alkatrészei vízkövesednek.	Azonnal vízkömentesítse a készüléket az Öntisztítás programmal és a kereskedelmi forgalomban kapható vízkömentesítő szerrel (lásd OPCIOK ÉS FUNKCIÓK). Töltse fel a tartályt sóval. Ellenőrizze a vízkeménységre vonatkozó beállítást. Ha nem végez vízkömentesítést, a készülék le fog állni.
A mosogatógép nem indul vagy nem reagál a parancsokra.	Nem megfelelően csatlakoztatta a készüléket.	Csatlakoztassa a dugót a hálózati aljzatba.
	Áramkimaradás.	Biztonsági okokból a mosogatógép nem indul újra automatikusan az áramellátás helyreállásakor. Nyissa ki a mosogatógép ajtaját, nyomja meg a INDÍTÁS/Szünet gombot, majd 4 másodpercen belül csukja be az ajtót.
	Nincs bezárva a mosogatógép ajtaja. Nincs bepattintva az NaturalDry fül.	Erőteljesen nyomja be az ajtót, amíg kattantást nem hall.
	A program megszakadt, mivel az ajtót 4 mp-nél hosszabban nyitva tartották.	Nyomja meg a INDÍTÁS/Szünet gombot, és csukja be az ajtót 4 mp-en belül.
A mosogatógép nem eresztí le a vizet. A kijelzőn látható érték: F7 E3 vagy F9 E1	Nem működik a kezelőpanel, vagy az F6 E1 érték látható a kijelzőn.	Kapcsolja ki a készüléket a BE-KI/Újraindítás gombbal, majd kb. 1 perc elteltével kapcsolja vissza, és indítsa újra a programot. Ha a probléma továbbra is fennáll, válassza le a készüléket a hálózatról 1 percre, majd csatlakoztassa újra.
	Az ételmaradék vagy vízkő eltömítette a szűrőt.	Tisztítsa ki a szűrőt, és vízkömentesítse a készüléket (lásd A SZÜRŐEGYSÉG TISZTÍTÁSA és VÍZKÖMENTESÍTÉSI ÚTMUTATÓ).
	Meghajlott a leeresztő tömlő.	Ellenőrizze a leeresztőtömlőt (lásd BESZERELÉSI ÚTMUTATÓ).
A mosogatógép túl hangosan működik.	Eltömődött a mosogató lefolyócsöve.	Tisztítsa meg a mosogató lefolyócsövét.
	Az edények egymáshoz ütődnek.	Megfelelően helyezze be az edényeket (lásd A KOSARAK MEGTÖLTÉSE).
	Túl sok hab képződött.	Nem megfelelően mérte ki a mosogatószert, vagy az nem használható mosogatógépben (lásd A MOSOGATÓSZER-ADAGOLÓ FELTÖLTÉSE). Indítsa el újra az aktuális programot az BE-KI gombbal, majd kapcsolja be ismét a készüléket, válasszon egy új programot, nyomja meg a INDÍTÁS/Szünet gombot, és csukja be az ajtót 4 másodpercen belül. Ne töltsön bele mosogatószert.
	Nem megfelelően rendezte el az edényeket.	Rendezze el megfelelően az edényeket (lásd A KOSARAK MEGTÖLTÉSE).
Az ételmaradék vagy vízkő eltömítette a szűrőt.	Tisztítsa ki a szűrőegységet (lásd ÁPOLÁS ÉS KARBANTARTÁS).	

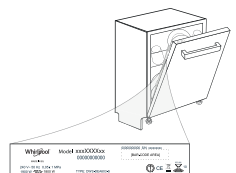
HIBA	LEHETSÉGES OK	MEGOLDÁS
Az edények nem tiszták.	Nem megfelelően rendezte el az edényeket.	Rendezze el megfelelően az edényeket (lásd A KOSARAK MEGTÖLTÉSE).
	A szűrőkarok nem forognak szabadon, mivel az edények útban vannak.	Rendezze el megfelelően az edényeket (lásd A KOSARAK MEGTÖLTÉSE). Ellenőrizze, hogy megfelelő-e a felső kosár helyzete, és szükség esetén igazítsa meg (emelje meg).
	A mosogatási ciklus túlzottan kímélő.	Válasszon megfelelő mosogatási programot (lásd PROGRAMTÁBLÁZAT).
	Túl sok hab képződött.	Nem megfelelően mérte ki a mosogatószert, vagy az nem használható mosogatógépben (lásd A MOSOGATÓSZER-ADAGOLÓ FELTÖLTÉSE).
	Nem megfelelően zárta vissza az öblítőszer rekeszének fedelét.	Zárja vissza az öblítőszer-adagoló kupakját.
	Az ételmaradék vagy vízkő eltömítette a szűrőt.	Tisztítsa ki a szűrőt, és vízkőmentesítse a készüléket (lásd A SZÜRŐEGYSÉG TISZTÍTÁSA).
	A sótartály üres.	Töltse fel a tartályt (lásd A SÓTARTÁLY FELTÖLTÉSE).
A készülék nem vesz fel vizet. A kijelzőn látható érték: világitó H2O  ; hangjelzés hallatszik.	Nem jön víz a vízvezetékéből, vagy el van zárva a vízcsap.	Ellenőrizze, hogy jön-e víz a vízvezetékéből, és a vízcsap nyitva van-e.
	Meghajlott a vízbevezető tömlő.	Ellenőrizze a vízbevezető tömlőt (lásd BESZERELÉS). Nyissa ki a mosogatógép ajtaját, nyomja meg a INDÍTÁS/Szünet gombot, majd 4 másodpercen belül csukja be az ajtót.
	Eltömődött a vízbevezető tömlőben lévő szűrő. Ki kell tisztítani.	Ellenőrizze és tisztítsa ki a vízbevezető tömlőben lévő szűrőt. Nyissa ki a mosogatógép ajtaját, nyomja meg a INDÍTÁS/Szünet gombot, majd 4 másodpercen belül csukja be az ajtót.
A mosogatógép túl hamar fejezi be a programot. A kijelzőn látható érték: F8 E3	Az ételmaradék vagy vízkő eltömítette a szűrőt.	Tisztítsa ki a szűrőt, és vízkőmentesítse a készüléket (lásd A SZÜRŐEGYSÉG TISZTÍTÁSA és VÍZKŐ-MENTESÍTÉSI ÚTMUTATÓ).
	A leeresztőtömlő túl alacsonyan van, vagy a háztartási szennyvízrendszerbe ereszti a vizet.	Ellenőrizze, hogy a leeresztőtömlő vége megfelelő magasságban van-e (lásd BESZERELÉS). Ellenőrizze, hogy a rendszer a háztartási szennyvízrendszerbe ereszti-e a vizet, és szükség esetén szereljen be visszacsapó/légbeszívó szelepet.
	Túl sok hab képződött.	Nem megfelelően mérte ki a mosogatószert, vagy az nem használható mosogatógépben (lásd A MOSOGATÓSZER-ADAGOLÓ FELTÖLTÉSE).
	Levegő van a vízvezetékben.	Ellenőrizze a tömlőt és a tömítéseket, hogy nem szivárognak-e valahol.
Az edények nem kellően szárazak.	Elfogyott vagy nem elegendő az öblítőszer.	Ellenőrizze, hogy fel van-e töltve az öblítőszer-adagoló (lásd AZ ÖBLÍTŐSZER-ADAGOLÓ FELTÖLTÉSE). A többfunkciós tabletták önmagukban nem biztosítanak olyan jó szárítási eredményt, mint a folyékony öblítőszer.
	Az edényeket az ajtó automatikus nyitása után kipakolták, de ekkor még nem fejeződött be a folyamatban lévő program.	Az edények kipakolása előtt ellenőrizze, hogy befejeződött-e a program (lásd MINDENNAPI HASZNÁLAT). A még jobb szárítási eredményért javasoljuk, hogy hagyja nyitva a mosogatógép ajtaját, és hagyja a készülékben az edényeket a program lejártától számított 15 percig.
	Túl egyenesen behelyezett edények.	Ha víz van a bögrék, poharak, tálak mélyedéseiben, próbálja megdöntve behelyezni az edényeket (különösen a felső rekesz esetén), így több víz le tud csöpögni a szárítás előtt.
	A kiválasztott programban nincs szárítási szakasz.	Ellenőrizze a PROGRAMTÁBLÁZATBAN, hogy a választott program tartalmaz-e szárítási szakaszt. Előfordulhat, hogy a szárítási szakasz nélküli programok nem a kívánt szárítási eredményt nyújtják, ezért javasolt szárítási szakasszal rendelkező programot választani.
	Az edények tapadásmentes anyagból vagy műanyagból készültek.	Normális jelenség, ha az ilyen anyagokon vízcseppek láthatók.
Az edényeken és a poharakon kék csíkok vagy kékes elszíneződés látható.	A készülék túl sok öblítőszer adagol.	Állítsa alacsonyabb fokozatra az adagolást.
Az edényeken és a poharakon vízkő vagy fehér réteg látható.	A sótartály üres.	Minél hamarabb töltse fel a tartályt sóval. A készülék só nélkül történő használata károsíthatja annak belső alkatrészeit.
	Túl alacsony szintre van állítva a vízkeménység.	Állítson be magasabb szintet (lásd VÍZKEMÉNYSÉGI TÁBLÁZAT).
	A sótartály kupakja nem megfelelően lett visszazárva.	Ellenőrizze és zárja vissza a sótartály kupakját.
A mosogatógép kijelzőjén az F8 E5 érték látható	Az öblítőtartály üres, vagy a készülék nem elegendő öblítőszer adagol.	Töltse fel a tartályt öblítőszerrel, és ellenőrizze az adagolási beállítást (további információ: lásd AZ ÖBLÍTŐSZER-ADAGOLÓ FELTÖLTÉSE).
	Eltömődött vagy hibás szelep.	Ha lehetséges, zárja el a vízcsapot. Ne szüntesse meg a tápellátást. Hívja a vevőszolgálatot.



A szabályzatok, a szabványos dokumentáció, a tartalékalkatrészek rendelése és a termékkel kapcsolatos további információk az alábbi elérhetőségeken található:

- A QR-kód segítségével és látogasson el a: docs.whirlpool.eu/docs
- Látogasson el a: parts-selfservice.europeanappliances.com
- Vagy vegye fel a **kapcsolatot a vevőszolgálattal** (a telefonszámot lásd a garanciafüzetben). Amennyiben a vevőszolgálathoz fordul, kérjük, adja meg a termék adattábláján feltüntetett kódokat.

A modell adataihoz olvassa be az energiafogyasztást jelölő címkén található QR-kódot. A címkén található modellazonosító segítségével használható a regisztrációs portál <https://eprel.ec.europa.eu>.





GRAZIE PER AVER ACQUISTATO UN PRODOTTO WHIRLPOOL.

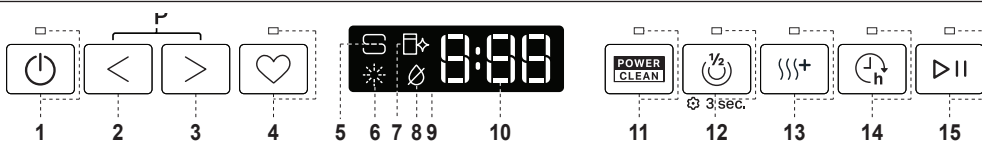
Per ricevere assistenza in modo più completo, registrare il proprio apparecchio sul sito: www.whirlpool.eu/register

Prima di utilizzare l'apparecchio, legga attentamente le Istruzioni di sicurezza e di installazione. Maggiori informazioni sul prodotto disponibili sul sito web: docs.whirlpool.eu/docs

⚠ Dopo l'installazione, ricordarsi di rimuovere tutte le parti di protezione per il trasporto dalla lavastoviglie.

PANNELLO DI CONTROLLO

1. Tasto **ACCENSIONE/SPEGNIMENTO/Ripristino** con relativa spia
2. Tasto **programma PRECEDENTE**
3. Tasto **programma SUCCESSIVO**
4. Tasto **programma PREFERITO** con relativa spia
5. Spia serbatoio **Sale** vuoto
6. Spia serbatoio **Brillantante Vuoto**
7. Spia **DECALCIFICAZIONE**
8. Spia **Rubinetto Acqua Chiuso**
9. **Display**
10. **Numero di programma** e indicatore di **durata residua**
11. Tasto **opzione Power Clean®** con relativa spia



12. Tasto **opzione di Mezzo Carico** con relativa spia / **Impostazioni** - pressione di 3 sec.
13. Tasto **opzione Extra Asciutto** con relativa spia
14. Tasto **opzione Avvio Ritardato** con relativa spia
15. Tasto **AVVIO/Pausa** con relativa spia

PRIMO UTILIZZO

MENU IMPOSTAZIONI

1. Azionare l'apparecchio premendo il tasto **ACCENSIONE/SPEGNIMENTO**.
2. Tenere premuto il tasto **Impostazioni** (Mezzo Carico) per 3 secondi, finché non si udirà un bip e il display visualizzerà "SET" (Impostato).
3. Dopo un secondo, verrà visualizzata la prima impostazione disponibile (lettera "h").
4. Premere **PRECEDENTE** / **SUCCESSIVO** per scorrere in avanti e indietro l'elenco delle impostazioni disponibili (vedere la tabella sottostante), quindi premere **AVVIO/Pausa** per visualizzare e modificare il valore dell'impostazione attualmente selezionata.
5. Premere **PRECEDENTE** / **SUCCESSIVO** per modificare in avanti o indietro il valore, quindi premere **AVVIO/Pausa** per salvare il nuovo valore e tornare al menu principale.
6. Per modificare un'altra impostazione, ripetere i punti 4 e 5.
7. Premere **ACCENSIONE/SPEGNIMENTO** o attendere 30 secondi per uscire dal menu.

Impostazione della durezza dell'acqua

Per consentire che il dispositivo addolcente dell'acqua agisca al meglio, è essenziale che l'impostazione del livello di durezza dell'acqua tenga conto della sua durezza effettiva nell'utenza domestica. È possibile ottenere il valore di durezza dell'acqua nell'utenza domestica rivolgendosi al proprio fornitore. L'impostazione di fabbrica è "3". Vedere „TABELLA DELLA DUREZZA DELL'ACQUA”.

Tabella della durezza dell'acqua			
Livello	°dH Gradi tedeschi	°fH Gradi francesi	°Clark Gradi inglesi
1 (dolce)	0 - 6	0 - 10	0 - 7
2 (moderatamente dolce)	7 - 11	11 - 20	8 - 14
3 (medio)	12 - 16	21 - 29	15 - 20
4 (dura)	17 - 34	30 - 60	21 - 42
5 (molto dura)	35 - 50	61 - 90	43 - 62

LETTERA	IMPOSTAZIONE	VALORI (Predefinito - in grassetto)
h	Grado di durezza dell'acqua (vedere "IMPOSTAZIONE DELLA DUREZZA DELL'ACQUA" e "TABELLA DELLA DUREZZA DELL'ACQUA")	1 2 3 4 5
i	Livello del brillantante (vedere "REGOLAZIONE DEL DOSAGGIO DI BRILLANTANTE")	0 1 2 3 4 5
j	NaturalDry (vedere "OPZIONI E FUNZIONI") "1" = Accese, "0" = Spente	1 0
k	Luce sul pavimento (vedere "OPZIONI E FUNZIONI") "1" = Accese, "0" = Spente	1 0
l	Segnale acustico "1" = Accese, "0" = Spente	1 0
m	Impostazioni di fabbrica Premere AVVIO/Pausa per ripristinare i valori di fabbrica di tutte le impostazioni incluse nel menu delle impostazioni.	-

Per effettuare modifiche, seguire le istruzioni riportate nella sezione „MENU IMPOSTAZIONI”.

Utilizzare soltanto sale di tipo specifico per lavastoviglie.

Dopo aver versato il sale all'interno della macchina, la spia riempimento SALE si spegne.

La mancanza di sale nel serbatoio potrebbe danneggiare l'addolcitore d'acqua e la resistenza per effetto dell'accumulo di calcare. L'uso del sale è consigliato con qualsiasi tipo di detersivo per lavastoviglie.

SISTEMA DI ADDOLCIMENTO DELL'ACQUA

L'addolcitore riduce automaticamente la durezza dell'acqua, impedendo la formazione di calcare sulla serpentina e contribuendo a migliorare l'efficienza di lavaggio. **Questo sistema si rigenera con il sale, che deve essere perciò rabboccato quando il serbatoio del sale è vuoto.** La frequenza di rigenerazione dipende dal livello di durezza impostato - con la durezza dell'acqua impostata al livello **3**, la rigenerazione avviene ogni **4-6** cicli Eco. Il processo di rigenerazione avviene all'inizio del ciclo con acqua fresca aggiuntiva.

- Ogni rigenerazione comporta: un consumo di ~3 litri d'acqua;
- Un prolungamento di 5 minuti della normale durata del ciclo;
- Un consumo di energia minore di 0,005 kWh.

RIEMPIMENTO DEL SERBATOIO SALE

L'uso di sale previene la formazione di CALCARE sulla superficie dei piatti e sui componenti della macchina.

Il serbatoio del sale si trova nella parte inferiore della lavastoviglie (sotto il cestello inferiore sul lato sinistro).

- È indispensabile che **il serbatoio del sale non sia mai vuoto.**
- È essenziale quindi che il livello di durezza dell'acqua sia stato impostato.
- Il sale deve essere inserito quando la spia RIEMPIMENTO SALE sul pannello comandi è accesa.



1. Togliere il cestello inferiore e svitare il tappo del serbatoio (ruotare in senso antiorario).
2. Sistemare opportunamente l'imbuto (vedere figura) e rifornire il serbatoio del sale fino all'orlo (circa 0,5 kg); Non è inconsueto che l'acqua trabocchi leggermente.
3. **Solo la prima volta: riempire d'acqua il serbatoio del sale.**

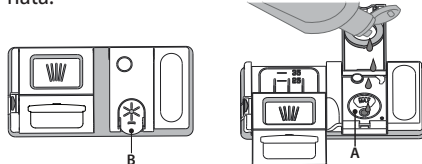
4. Togliere l'imbuto ed eliminare qualsiasi residuo di sale dall'areacircostante l'apertura.

Accertarsi che il tappo sia adeguatamente serrato per evitare l'ingresso di detersivo all'interno della vaschetta durante il programma di lavaggio (ciò potrebbe causare il danneggiamento del dispositivo addolcente senza possibilità di riparazione).

Eseguire un programma ogni volta che si completa il riempimento del serbatoio del sale per evitare la corrosione.

RIEMPIMENTO DEL DISTRIBUTORE BRILLANTANTE

L'utilizzo di brillantante facilita il processo di ASCIUGATURA delle stoviglie. Il distributore di brillantante **A** deve essere riempito ogni volta che a spia dell'indicatore di RIEMPIMENTO BRILLANTANTE sul pannello comandi è illuminata.



1. Aprire il distributore **B** esercitando opportuna pressione e quindi sollevando la linguetta posta sul coperchio.
2. Versare delicatamente il brillantante fino al segno che indica il livello di riferimento

massimo (110 ml), ma evitandone la fuoriuscita. Nel caso in cui ciò si verifici, asciugare immediatamente il liquido fuoriuscito mediante un panno asciutto.

3. Abbassare il coperchio fino ad avvertire lo scatto che ne segnala la chiusura. **Non versare MAI il brillantante direttamente all'interno della vaschetta.**

Regolazione del dosaggio di brillantante

Se non si è completamente soddisfatti del processo di asciugatura, è possibile regolare la quantità di brillantante da utilizzare.

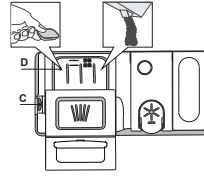
Per effettuare modifiche, seguire le istruzioni riportate nella sezione „MENU IMPOSTAZIONI”.

Nel caso in cui il livello di brillantante sia impostato su ZERO, il brillantante non viene erogato. In caso di esaurimento del brillantante **la spia BRILLANTANTE INSUFFICIENTE** non è illuminata. A seconda del modello di lavastoviglie è possibile impostare al massimo **6** livelli.

- In presenza di strisce con sfumature blu sulla superficie dei piatti, impostare un livello di dosaggio basso (0-3).
- In presenza di gocce d'acqua o di calcare sulla superficie dei piatti impostare invece dosaggi alti (4-5).

RIEMPIMENTO DEL DISTRIBUTORE DETERATIVO

Per aprire il distributore detersivo utilizzare il dispositivo di apertura **C**. Versare il detersivo esclusivamente nel distributore **D** asciutto. Mettere la dose di detersivo per il prelavaggio direttamente all'interno del distributore.



1. Per il dosaggio corretto del detersivo fare riferimento ai dati sopra riportati. La vaschetta **D** contiene indicatori di livello per facilitare il dosaggio del detersivo.
2. Eliminare eventuali residui di detersivo dai bordi del distributore e chiudere il coperchio fino ad avvertire lo scatto caratteristico.
3. Chiudere il coperchio del distributore sollevandolo fino a portare il dispositivo di chiusura in sede.

Il distributore del detersivo si apre automaticamente quando previsto dal programma in uso. **L'uso di un detersivo non specifico per lavastoviglie potrebbe causare malfunzionamenti o danni all'apparecchio.**

USO QUOTIDIANO

1. VERIFICA DEL COLLEGAMENTO ALLA RETE IDRICA

Verificare che la lavastoviglie sia collegata alla rete idrica e che il rubinetto dell'acqua sia aperto.

2. AZIONAMENTO DELLA LAVASTOVIGLIE

Aprire la porta e premere il tasto **ACCENSIONE/SPEGNIMENTO**.

3. CARICAMENTO DEI CESTELLI (vedere CARICAMENTO DEI CESTELLI).

4. RIEMPIMENTO DEL DISTRIBUTORE DETERATIVO

5. SELEZIONARE IL PROGRAMMA E ADATTARE IL CICLO SECONDO NECESSITÀ

Selezionare il programma più appropriato in base al tipo di stoviglie e al loro livello di sporco (vedere DESCRIZIONE DEI PROGRAMMI) premendo il pulsante **PRECEDENTE/SUCCESSIVO** selezionato.

Selezionare le opzioni richieste (vedere OPZIONI E FUNZIONI). Non tutte le opzioni sono compatibili con tutti i programmi.

6. AVVIO

Avviare il ciclo di lavaggio premendo il pulsante **AVVIO/Pausa** (il led è acceso) e chiudendo la porta entro 4 secondi. Quando il programma si avvia, verrà emesso un singolo segnale acustico. Se la porta non viene chiusa entro 4 secondi viene emesso un suono di allarme. In questo caso, aprire la porta, premere il tasto **AVVIO/Pausa** e richiudere la porta entro 4 sec.

7. FINE DEL CICLO DI LAVAGGIO

La fine del ciclo di lavaggio è indicata da un suono e il display visualizza **END** (FINE). Aprire la porta e spegnere l'apparecchio premendo il pulsante **ACCENSIONE/SPEGNIMENTO**. Per evitare bruciacature, prima di togliere le stoviglie attendere pochi minuti. Scaricare i cestelli, iniziando da quello inferiore.

MODIFICA DI UN PROGRAMMA IN ESECUZIONE

Se è stato selezionato un programma sbagliato, è possibile cambiarlo, a condizione che sia appena iniziato. **RESET** della macchina: tenere premuto il pulsante **ACCENSIONE/SPEGNIMENTO** per più di 3 secondi, e la macchina si spegnerà. **Il pannello di controllo mostrerà "0:01"**. Chiudere la porta e attendere il termine del ciclo di scarico (circa 1 minuto). Aprire la porta e riaccendere la macchina usando il pulsante **ACCENSIONE/SPEGNIMENTO** e selezionare il nuovo ciclo di lavaggio e le opzioni desiderate.

Avviare il ciclo premendo il pulsante **AVVIO/Pausa** e chiudendo la porta entro 4 secondi.

AGGIUNTA DI STOVIGLIE EXTRA

Senza spegnere la macchina, aprire prima leggermente la porta per evitare che l'acqua fuoriesca (il led **AVVIO/Pausa** inizia a lampeggiare) (**Attenzione! Vapore caldo!**) e mettere le stoviglie nella lavastoviglie. Premere il tasto **AVVIO/Pausa** e chiudere lo sportello entro 4 secondi; il ciclo riprenderà dal punto in cui era stato interrotto.

INTERRUZIONI ACCIDENTALI

Se la porta viene aperta durante il ciclo di lavaggio, o se si verifica un'interruzione di corrente, il ciclo si interrompe. **SOLO SE SI PREME il pulsante AVVIO/Pausa** e si chiude la porta entro 4 secondi, il ciclo riprenderà dal punto in cui è stato interrotto.

AVVISI E CONSIGLI

CONSIGLI

Prima di caricare i cestelli, eliminare tutti i residui di cibo dalle stoviglie e vuotare i bicchieri. **Non occorre il risciacquo sotto acqua corrente prima del caricamento.**

Sistemare le stoviglie in modo che rimangano in sede e non si possano ribaltare; e sistemare le vaschette con le aperture rivolte verso il basso e le parti concave/complesse disposte obliquamente, per consentire all'acqua di lavaggio di raggiungere ogni superficie e scorrervi liberamente.

Avvertenza: coperchi, vassoi e padelle non devono ostacolare la rotazione degli aspersori.

Riporre tutti gli oggetti di piccole dimensioni nel cestello portaposate.

Quando molto sporche, riporre piatti e pentole nel cestello inferiore poiché nel relativo settore gli aspersori svolgono un'azione più intensa e consentono migliori prestazioni nel lavaggio.

Una volta completata la procedura di carico, accertarsi che gli aspersori possano ruotare liberamente.

STOVIGLIE DI TIPO NON ADATTO

- Stoviglie e posate in legno.
- Bicchieri decorati, pezzi di artigianato e piatti antichi. le decorazioni non sono sufficientemente resistenti.
- Componenti in materiali sintetici che non resistono alle temperature elevate.
- Stoviglie in rame e stagno.
- Stoviglie sporche di cenere, cera, grasso lubrificante o inchiostro.

Durante la fase di lavaggio i colori delle decorazioni di bicchieri e pezzi in alluminio/argento possono sbiadire. Alcuni tipi di bicchieri (es. i bicchieri in cristallo) possono divenire opachi anche soltanto dopo un certo numero di lavaggi.

DANNEGGIAMENTO DI BICCHIERI E STOVIGLIE

- Utilizzare soltanto bicchieri e porcellane garantite dal produttore per il lavaggio in lavastoviglie.
- Utilizzare un detersivo delicato e adatto al tipo di stoviglie in questione.
- Togliere i bicchieri e gli altri elementi dalla lavastoviglie non appena sia terminato il ciclo di lavaggio.

CONSIGLI PER IL RISPARMIO ENERGETICO

- Se la lavastoviglie viene usata secondo le istruzioni del produttore, **il lavaggio delle stoviglie a macchina comporta normalmente un MINORE CONSUMO DI ENERGIA e acqua rispetto al lavaggio a mano.**
- Per ottimizzare l'efficienza della lavastoviglie si raccomanda di **avviare il ciclo di lavaggio con l'apparecchio a pieno carico.** Caricando la lavastoviglie fino alla capacità indicata dal produttore si contribuirà a ridurre i consumi d'acqua e di energia. Per informazioni sul caricamento corretto delle stoviglie, leggere la sezione CARICAMENTO DEI CESTELLI. In caso di carico parziale, si raccomanda di usare le apposite opzioni di lavaggio, se disponibili (Mezzo carico/ Zone Wash/ Multizona), caricando solo i cestelli selezionati. Un caricamento non corretto o eccessivo della lavastoviglie può aumentare il consumo di risorse (acqua, energia e tempo, oltre a una maggiore rumorosità) e ridurre le prestazioni di lavaggio e asciugatura.
- Il pre-risciacquo delle stoviglie comporta un maggiore consumo di acqua ed energia e non è consigliato.

IGIENIZZANTE

Per evitare la formazione di cattivi odori e sedimenti vari all'interno della lavastoviglie, **avviare un programma che preveda temperature elevate almeno una volta al mese.** Per eseguire la pulizia dell'apparecchio utilizzare un cucchiaino di detersivo e avviare il ciclo in assenza di carico.

RESISTENZA AL GELO

Se l'apparecchio è collocato in un locale esposto al pericolo di gelo, **occorre svuotarlo completamente.** Chiudere il rubinetto dell'acqua e staccare i tubi di alimentazione e di scarico, quindi far defluire l'acqua. **Assicurarsi che l'addolcitore d'acqua sia pieno di sale di rigenerazione disciolto nel relativo contenitore,** per proteggere l'apparecchio da temperature fino a -20°C.

Se l'apparecchio è stato immagazzinato in condizioni di gelo, deve rimanere a una temperatura ambiente di min. 5°C **per almeno 24 ore** prima del primo funzionamento.

TABELLA DEI PROGRAMMI

Programma	Descrizione dei programmi	Fase di asciugatura	NaturalDry	Opzioni disponibili *)	Durata programma di lavaggio (h:min)**	Consumo d'acqua (litri/ciclo)	Consumo energetico (kWh/ciclo)
P1 Eco	Eco 50° - Il programma è indicato per le stoviglie mediamente sporche; è il programma più efficiente in termini di consumo combinato di acqua ed energia per questo tipo di stoviglie e viene usato per valutare la conformità dell'apparecchio alla legislazione UE in materia di progettazione ecocompatibile.	✓	✓		4:00	9,5	0,64
P2	Auto Intensivo 65° - Il programma automatico per piatti e pentole molto sporchi.	✓	✓		2:25-3:10	15,5-24,5	1,30-1,70
P3	Auto Misti 55° - Il programma automatico per piatti normalmente sporchi e con residui secchi di cibo.	✓	✓		1:20-3:00	7,5-19,5	0,75-1,20
P4	Auto Rapido 50° - Il programma automatico per piatti normalmente e leggermente sporchi. Ciclo quotidiano; permette di ottenere risultati di lavaggio e asciugatura ottimali in un tempo inferiore.	✓	✓		1:00-1:50	7,5-15,5	0,70-1,10
P5	Rapido 45° - Il programma è consigliato per una quantità limitata di piatti poco sporchi e senza residui secchi di cibo. Non include la fase di asciugatura.	-	✓		0:30-0:40	10-12	0,55-0,65
P6	Cristalli 45° - Il programma adatto a oggetti delicati, più sensibili alle temperature elevate, ad esempio bicchieri e tazze.	✓	✓		1:40-1:50	12,5-16,5	0,95-1,20
P7	Silenzioso 55° - Adatto al funzionamento nelle ore notturne. Permette di ottenere risultati di lavaggio e asciugatura ottimali con una minima emissione sonora.	✓	✓		3:50-4:10	10,5-14,5	0,80-1,15
P8	Antibatterico 65° - Sporco normale e molto sporco, con azione antibatterica supplementare. Ciclo utilizzabile per la manutenzione della lavastoviglie.	✓	-		1:55-2:10	12-19	1,40-1,80
P9	Prelavaggio - Da utilizzare per sciacquare le stoviglie da lavare successivamente. Questo programma non richiede detersivo.	-	✓		0:12	4,5	0,10
P10	Autopulente 65° - Il programma da utilizzare per la manutenzione della lavastoviglie; deve essere eseguito solo con l'apparecchio VUOTO e usando un detersivo specifico per la manutenzione della lavastoviglie.	-	-		1:15	11,0	1,10

La misurazione dei dati per la creazione del programma ECO avviene in condizioni di laboratorio secondo quanto prescritto dalle norme europee EN 60436:2020. Nota per i laboratori di Prove: per informazioni sulle condizioni della prova comparativa EN, farne richiesta all'indirizzo: dw_test_support@whirlpool.com

Questi programmi non richiedono un pre-trattamento delle stoviglie.

*) Non è possibile selezionare tutte le opzioni contemporaneamente.

***) Ad eccezione del programma Eco, i valori riportati per gli altri programmi sono puramente indicativi. La durata effettiva può dipendere da molti fattori, quali la temperatura e la pressione dell'acqua di alimentazione, la temperatura ambiente, la dose di detersivo utilizzata, la quantità e il tipo di carico e il suo bilanciamento, la selezione di determinate opzioni e la taratura dei sensori. La taratura dei sensori può prolungare la durata dei programmi anche di 20 minuti.

OPZIONI E FUNZIONI

Le OPZIONI possono essere selezionate/deselezionate, dopo aver scelto il programma, direttamente premendo il pulsante corrispondente (se disponibile - l'indicatore si accende) (vedere PANNELLO DI CONTROLLO). In caso di opzione non compatibile con il programma selezionato (vedere TABELLA DEI PROGRAMMI), il LED corrispondente lampeggia 3 volte in rapida successione ed emette i previsti segnali acustici. L'opzione non è in tal caso abilitata. Un'opzione può modificare il tempo o il consumo di acqua o di energia per il programma.

POWER CLEAN® - Grazie ai getti speciali supplementari questa funzione consente un lavaggio più intenso ed efficace nell'area specifica del cestello inferiore. Si raccomanda questa funzione per il lavaggio di pentole e casseruole (fare riferimento alla sezione di caricamento di Power Clean®).

MEZZO CARICO - Se le stoviglie da lavare non sono numerose, la funzione di mezzo carico MEZZO CARICO serve a risparmiare acqua, elettricità o tempo, a seconda del programma selezionato.

Ricordare di ridurre la dose di detersivo.

EXTRA ASCIUTTO - La temperatura più elevata durante il risciacquo finale e la fase di asciugatura prolungata consentono di migliorare l'asciugatura. L'opzione EXTRA ASCIUTTO comporta una maggior durata del ciclo di lavaggio.

AVVIO RITARDATO - L'avvio del programma può essere ritardato per un periodo di tempo compreso tra **30 minuti** e **24 ore**.

1. Selezionare il programma richiesto e qualsiasi opzione necessaria. Per ritardare l'avvio del programma premere (ripetutamente) il tasto AVVIO RITARDATO. Regolabile da 30 minuti a 24 ore. Una volta raggiunta l'impostazione di 24 ore, premere il tasto AVVIO RITARDATO un'altra volta per disattivare la funzione AVVIO RITARDATO.
2. Premere il tasto AVVIO/Pausa e chiudere lo sportello entro 4 secondi. Il timer inizierà il conto alla rovescia.
3. Una volta trascorso questo periodo di tempo, la corrispondente spia si spegne e il programma si avvia automaticamente.

Una volta avviato il programma, non è più possibile impostare la funzione AVVIO RITARDATO.

RILEVAMENTO - Quando il sensore rileva il livello del suolo, sul display appare un'animazione (circa 20 minuti) e la durata del ciclo viene aggiornata. Il RILEVAMENTO riguarda il livello di sporco delle stoviglie ed è presente per tutti i cicli (tranne l'Eco), regolando il programma di conseguenza.

RUBINETTO ACQUA CHIUSO - Allarme - Lampeggia, quando non è presente acqua in ingresso o il rubinetto dell'acqua è chiuso.

LUCE SUL PAVIMENTO - La luce di un LED proiettata sul pavimento segnala che la lavastoviglie è in funzione. La luce si spegne al termine di un ciclo. Nell'impostazione predefinita questa funzione è attiva, ma è possibile disattivarla nel "MENU IMPOSTAZIONI".

NaturalDry - È un sistema di asciugatura a convezione che apre automaticamente lo sportello durante/dopo la fase di asciugatura, per garantire ogni giorno prestazioni di asciugatura eccezionali. Lo sportello si apre ad una temperatura sicura per i mobili della cucina.

Come ulteriore protezione dal vapore, insieme alla lavastoviglie viene aggiunta una pellicola di protezione appositamente progettata.

Per vedere come montare la pellicola di protezione, fare riferimento alle ISTRUZIONI PER L'INSTALLAZIONE. Nell'impostazione predefinita questa funzione è attiva, ma è possibile disattivarla nel "MENU IMPOSTAZIONI".

DECALCIFICAZIONE - Allarme - È stato rilevato un accumulo di calcare sui componenti interni dell'apparecchio. Verificare se l'impostazione della durezza dell'acqua è al valore corretto e se nel contenitore del sale è presente del sale (vedere PRIMO UTILIZZO), quindi utilizzare un prodotto decalcificante (si raccomanda il marchio WPro) con il programma Autopulizia. Dopo una corretta decalcificazione, l'icona smetterà di essere visualizzata. Se le azioni di cui sopra non vengono eseguite, le prestazioni del prodotto si deteriorano. L'avviso DECALCIFICAZIONE inizierà a lampeggiare e l'allarme «DES» apparirà sul display. Se non si interviene, l'apparecchio consentirà di avviare solo un certo numero di cicli (indicato durante la visualizzazione dell'allarme «DES» e quindi si bloccherà per evitare danni ai componenti, rendendo disponibile solo il programma Autopulente. Eseguendo una decalcificazione completa, il prodotto si sblocca. In caso di quantità estremamente elevate di calcare, potrebbe essere necessario eseguire la decalcificazione due volte per essere efficiente.

PROGRAMMA PREFERITO - Il programma PREFERITO può essere salvato e sarà facilmente accessibile. Trovare il programma utilizzando PRECEDENTE/ SUCCESSIVO, quindi premere il tasto programma PREFERITO per 3 secondi.

CARICAMENTO DEI CESTELLI

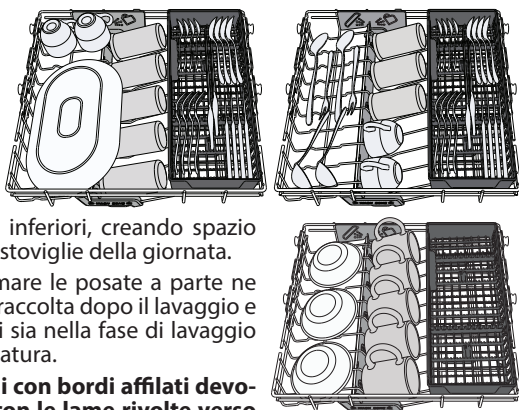
CAPACITÀ: 14 coperti standard

CESTELLO PIU' ALTO

Il cestello più alto offre una Zona di lavaggio per la pulizia mirata di ciotole, tazze, persino piatti e posate di grandi dimensioni che normalmente verrebbero caricati nei cestelli inferiori, creando spazio extra per il resto delle stoviglie della giornata.

La possibilità di sistemare le posate a parte ne rende più semplice la raccolta dopo il lavaggio e migliora le prestazioni sia nella fase di lavaggio che in quella di asciugatura.

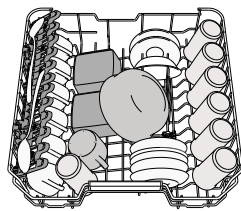
Coltelli e altri utensili con bordi affilati devono essere sistemati con le lame rivolte verso il basso.



CESTELLO SUPERIORE

Riporvi i piatti poco resistenti e le stoviglie delicate: vetri, tazze, piattini, insalatiere dai bordi bassi. Il cestello superiore è munito di sponde ribaltabili da utilizzare in posizione verticale per la sistemazione di piattini per tea/dessert oppure in posizione abbassata per consentire il carico di scodelle e recipienti per alimenti.

(esempio di carico del cestello superiore)



Regolazione in altezza del cestello superiore

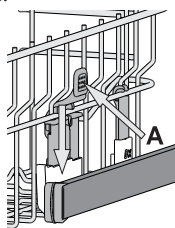
È possibile regolare del cestello superiore nel senso dell'altezza: la posizione rialzata consente di sfruttare al massimo il cestello inferiore per riporvi le stoviglie di dimensioni ingombranti, mentre la posizione ribassata consente di utilizzare le sponde ribaltabili creando lo spazio che esse richiedono e di evitare urti con gli oggetti caricati nel cestello inferiore.

Il cestello superiore è munito di **regolatore in altezza** (vedere figura) che non richiede pressione sulle leve; sollevarlo tenendolo per i lati, non appena si trovi in posizione rialzata.

Per ripristinare la posizione ribassata, agire sulle leve **A** poste ai lati del cestello e abbassare il cestello.

Si raccomanda vivamente di non procedere alla regolazione in altezza di cestelli già caricati.

Non rialzare o ribassare MAI il cestello agendo su un lato soltanto.



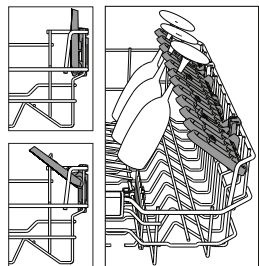
Sponde ribaltabili con posizione regolabile

Le sponde ribaltabili laterali possono essere estese o ripiegate per ottimizzare la disposizione delle stoviglie nel cestello.

Si possono disporre i bicchieri da vino nelle sponde ribaltabili in modo assolutamente sicuro, inserendone lo stelo negli appositi spazi.

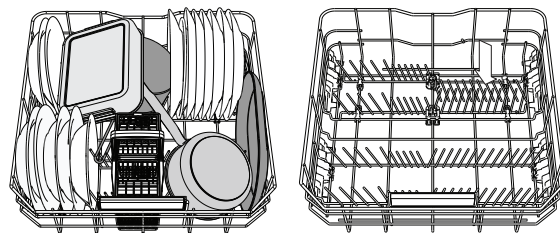
In base al modello:

- per estendere le sponde occorre farle scorrere verso l'alto e ruotarle oppure sganciarle dai fermi e abbassarle.
- per ripiegare le sponde occorre ruotarle e farle scorrere verso il basso oppure sollevarle e aganciarle ai fermi.



CESTELLO INFERIORE

Per pentole, coperchi, piatti, insalatiere, stoviglie, ecc. In teoria conviene disporre piatti e coperchi di grandi dimensioni ai lati, per evitare interferenze con l'elemento aspersione. Il cestello inferiore è munito di sponde ribaltabili da utilizzare in posizione verticale per la migliore sistemazione dei piatti oppure in posizione orizzontale (abbassata) per consentire il facile carico di scodelle e recipienti per alimenti.



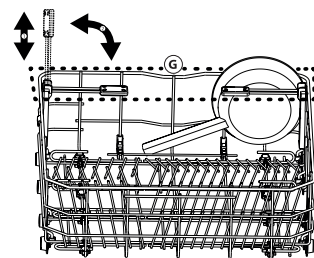
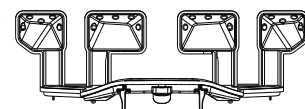
(esempio di carico nel cestello inferiore)

POWER CLEAN®

L'opzione Power Clean® utilizza specifici getti d'acqua nel retro della cavità per ottenere un lavaggio più intensivo delle stoviglie molto sporche. Il cestello inferiore è munito di Space Zone, lo specifico sostegno estraibile posto nella parte posteriore del cestello e utilizzabile per sostenere in posizione verticale pentole e casseruole e ottimizzare in tal modo lo spazio. Nel disporre pentole e casseruole rivolte verso l'elemento Power Clean® attivare la corrispondente opzione **POWER CLEAN®** dal pannello comandi.

Uso dell'opzione Power Clean®:

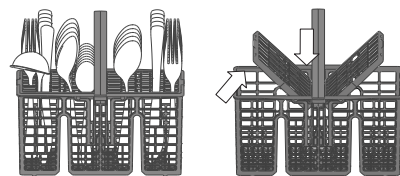
1. Regolare l'area Power Clean® (**G**) ripiegando verso il basso i supporti posteriori piatti per caricare le pentole.
2. Caricare le pentole e le casseruole in posizione inclinata verticale nell'area Power Clean®. Le pentole devono essere inclinate verso i potenti getti d'acqua.



Cutlery basket

It is fitted with top grids for improved cutlery arrangement. It must only be positioned at the front of the lower rack.

Knives and other utensils with sharp edges must be placed in the cutlery basket with the points facing downwards or they must be positioned horizontally in the tip-up compartments on the upper rack.



CURA E MANUTENZIONE

PULIZIA DEL GRUPPO FILTRO

Pulire regolarmente il gruppo filtro in modo che nei relativi elementi non si formino ostruzioni e che l'acqua vi scorra regolarmente.

L'uso della lavastoviglie con i filtri ostruiti, o con oggetti estranei nel sistema filtrante o nei bracci irroratori, può causare malfunzionamenti e determinare una perdita di prestazioni, un aumento della rumorosità o un maggiore consumo di risorse.

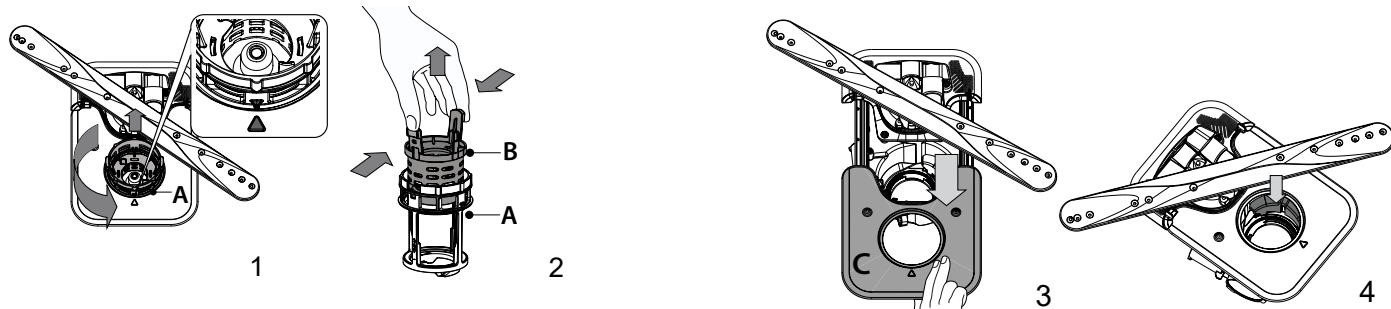
Il gruppo filtro è composto da tre elementi filtranti che eliminano la presenza di residui di cibo dall'acqua di lavaggio, rimettendola in circolo ai fini del programma: per ottenere le migliori prestazioni durante il lavaggio è necessario che tali elementi siano sempre puliti.

Non utilizzare mai la lavastoviglie priva dei filtri o con i filtri allentati.

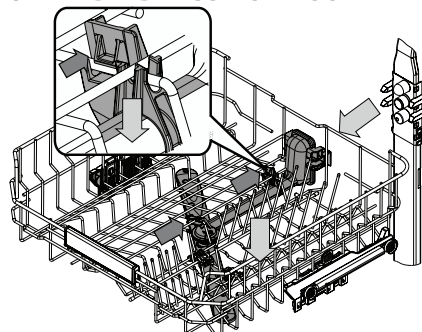
Almeno una volta al mese o ogni 30 cicli di lavaggio, verificare lo stato del gruppo filtro e se necessario pulirlo completamente sotto getto di acqua corrente, servendosi di spazzola metallica e seguendo le istruzioni sotto riportate:

1. Ruotare il filtro cilindrico **A** in senso antiorario, quindi estrarlo (Fig 1). **Quando si reinstalla il filtro, è importante che i due triangoli indicati sullo zoom coincidano.**
2. Smontare il filtro a tazza **B** esercitando una leggera pressione sulle sponde laterali (Fig 2).
3. Far scorrere il filtro a piastra in acciaio inossidabile **C**, fino ad estrarlo (Fig 3).
4. Se si trovano oggetti estranei (frammenti di vetro, porcellana, ossa, semi di frutta, ecc.), **rimuoverli con attenzione.**
5. Esaminare il sifone ed eliminare la presenza di qualsiasi residuo di cibo. **NON TOGLIERE MAI** l'elemento di protezione della pompa di lavaggio (indicato da una freccia) (Fig 4).

Dopo aver pulito i filtri, rimontare il gruppo e fissarlo correttamente in sede ciò è fondamentale per garantire l'efficienza della lavastoviglie.

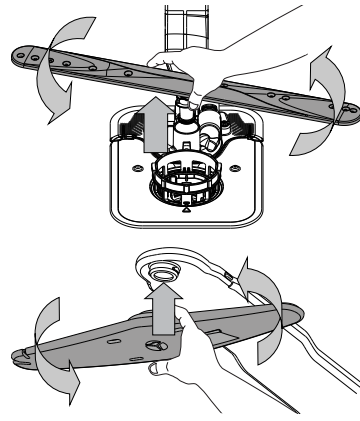


PULIZIA DEI BRACCI ASPERSORI



I residui di cibo possono occasionalmente formare incrostazioni sui bracci aspersori e bloccare i fori utilizzati per l'irrorazione dell'acqua. Si raccomanda pertanto di ispezionare di volta in volta i bracci e di pulirli mediante piccola spazzola metallica.

Per rimuovere lo spruzzo superiore, è necessario rimuoverlo insieme al collettore.



Il braccio di spruzzo inferiore può essere rimosso tirandolo verso l'alto e ruotandolo in senso antiorario. Il montaggio posteriore del braccio di spruzzo avviene tirandolo verso il basso e ruotandolo in senso orario.

Il braccio di spruzzo superiore può essere rimosso premendolo verso l'alto e successivamente ruotandolo in senso antiorario. Per rimontare il braccio di spruzzo, tirarlo verso l'alto e ruotarlo in senso orario.

Il cestello più alto è dotato di un tubo di lavaggio fisso con tutti gli ugelli di lavaggio rivolti verso l'alto. Per pulirlo, è possibile estrarre il cestello e, con una pinzetta, rimuovere gli oggetti eventualmente incastrati negli ugelli.

RISOLUZIONE DEI PROBLEMI

Se la lavastoviglie non funziona correttamente, provare a risolvere il problema consultando l'elenco sotto riportato. Per errori o problemi di altro tipo, contattare un Servizio Assistenza Tecnica autorizzato; i dati di contatto sono riportati nel libretto di garanzia. I ricambi saranno disponibili per un periodo fino a 7 o fino a 10 anni, secondo i requisiti specifici del regolamento.

PROBLEMI	POSSIBILI CAUSE	SOLUZIONE
La spia del sale è accesa	Il serbatoio del sale è quasi vuoto.	Riempire il serbatoio con sale (per ulteriori informazioni - vedere <i>RIEMPIMENTO DEL SERBATOIO SALE</i>). Se necessario, verificare l'impostazione della durezza dell'acqua - vedere <i>IMPOSTAZIONE DELLA DUREZZA DELL'ACQUA</i> .
La spia del sale lampeggia	Il serbatoio del sale è vuoto.	Riempire il serbatoio di sale il prima possibile. L'utilizzo dell'apparecchio senza sale può causare danni ai componenti interni.
La spia del brillantante è accesa o lampeggia	Il distributore del brillantante è vuoto. (Dopo il riempimento, la spia del brillantante può rimanere accesa per un breve periodo).	Riempire la vaschetta con un brillantante (per maggiori informazioni - vedere <i>RIEMPIMENTO DEL DISTRIBUTORE BRILLANTANTE</i>).
La spia di decalcificazione è accesa o lampeggia; Viene visualizzato l'allarme „dES“.	Il calcare si sta accumulando sui componenti interni dell'apparecchio.	Decalcificare immediatamente l'apparecchio utilizzando il programma AUTOPULENTE e un prodotto decalcificante disponibile in commercio (vedere <i>OPZIONI E FUNZIONI</i>). Riempire il serbatoio di sale. Verificare l'impostazione della durezza dell'acqua. Se l'apparecchio non viene decalcificato, smetterà di funzionare.
La lavastoviglie non si avvia o i comandi non rispondono.	L'apparecchio non è stato collegato correttamente all'alimentazione elettrica.	Inserire la spina nella presa di corrente.
	Mancanza di corrente.	Per motivi di sicurezza, la lavastoviglie non si riavvierà automaticamente al ritorno della corrente. Aprire la porta, premere il tasto AVVIO/Pausa e richiudere la porta entro 4 secondi.
	Mancata chiusura della porta lavastoviglie. Il perno NaturalDry non viene inserito.	Spingere con decisione la porta fino ad avvertire il caratteristico "click".
	Un ciclo viene interrotto dall'apertura della porta per più di 4 secondi.	Premere AVVIO/Pausa e chiudere la porta entro 4 secondi.
Lo scarico della lavastoviglie non avviene. Sul display viene visualizzato: F7 E3 o F9 E1	Il filtro è intasato da residui di cibo o calcare.	Pulire il filtro e decalcificare l'apparecchio (vedere <i>PULIZIA DEL GRUPPO FILTRO e ISTRUZIONI PER LA DECALCIFICAZIONE</i>).
	Il tubo flessibile di drenaggio è attorcigliato.	Controllare il tubo flessibile di scarico (vedere <i>ISTRUZIONI DI INSTALLAZIONE</i>).
	Tubo di scarico del lavandino ostruito.	Pulire il tubo di scarico del lavandino.
La rumorosità della lavastoviglie è eccessiva.	Le stoviglie si scontrano l'una con l'altra.	Posizionare correttamente le stoviglie (vedere <i>CARICAMENTO DEI CESTELLI</i>).
	È presente una quantità eccessiva di schiuma.	Il detersivo non è stato dosato in modo corretto oppure non è del tipo adatto alle lavastoviglie (vedere <i>RIEMPIMENTO DEL DISTRIBUTORE DETERSIVO</i>). Per riavviare il ciclo in corso, spegnere e riaccendere la lavastoviglie, scegliere un nuovo programma, premere AVVIO/Pausa e chiudere lo sportello entro 4 secondi. Non aggiungere altro detersivo.
	Le stoviglie non sono state disposte correttamente.	Sistemare le stoviglie nel modo corretto (vedere <i>CARICAMENTO DEI CESTELLI</i>).
	Il filtro è intasato da residui di cibo o calcare.	Pulire il gruppo filtro (vedere <i>CURA E MANUTENZIONE</i>).

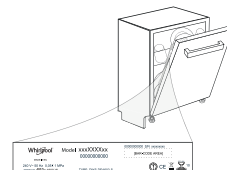
PROBLEMI	POSSIBILI CAUSE	SOLUZIONE
Le stoviglie non risultano pulite.	Le stoviglie non sono state disposte correttamente.	Sistemare le stoviglie nel modo corretto (<i>vedere CARICAMENTO DEI CESTELLI</i>).
	Impedimento nella rotazione dei bracci aspersori a causa dell'interferenza dei piatti.	Sistemare le stoviglie nel modo corretto (<i>vedere CARICAMENTO DEI CESTELLI</i>). Verificare che il cestello superiore sia nella posizione corretta e, se necessario, regolarlo (sollevarlo).
	Il ciclo di lavaggio è eccessivamente delicato.	Selezionare un ciclo di lavaggio appropriato (<i>vedere TABELLA DEI PROGRAMMI</i>).
	È presente una quantità eccessiva di schiuma.	Il dosaggio del detersivo non è stato stabilito in modo corretto oppure il detersivo non è del tipo adatto alle lavastoviglie (<i>vedere RIEMPIMENTO DEL DISTRIBUTORE DETERSIVO</i>).
	Il tappo del vano del brillantante non è stato chiuso correttamente.	Accertarsi che il tappo sul distributore brillantante sia chiuso.
	Il filtro è intasato da residui di cibo o calcare.	Pulire il filtro e decalcificare l'apparecchio (<i>vedere PULIZIA DEL GRUPPO FILTRO</i>).
	Il serbatoio del sale è vuoto.	Riempire il serbatoio del sale (<i>vedere RIEMPIMENTO DEL SERBATOIO SALE</i>).
La lavastoviglie non esegue il carico dell'acqua. Il display mostra: H2O e  si accende; suona l'allarme acustico.	Assenza di alimentazione idrica o rubinetto chiuso.	Assicurarsi che sia presente acqua nella rete idrica e che il rubinetto dell'acqua sia aperto.
	Il tubo flessibile di ingresso dell'acqua è attorcigliato.	Controllare il tubo flessibile di ingresso (<i>vedere INSTALLAZIONE</i>). Aprire la porta, premere il tasto AVVIO/Pausa e richiudere la porta entro 4 secondi.
	La griglia nel tubo flessibile di ingresso dell'acqua è intasata; è necessario pulirlo.	Controllare e pulire la griglia nel tubo flessibile di ingresso dell'acqua. Aprire la porta, premere il tasto AVVIO/Pausa e richiudere la porta entro 4 secondi.
La lavastoviglie termina il ciclo di lavaggio troppo presto. Il display mostra: F8 E3	Il filtro è intasato da residui di cibo o calcare.	Pulire il filtro e decalcificare l'apparecchio (<i>vedere PULIZIA DEL GRUPPO FILTRO e ISTRUZIONI PER LA DECALCIFICAZIONE</i>).
	Il tubo di scarico è posizionato troppo in basso o crea un effetto sifone nell'impianto di scarico domestico.	Controllare che l'estremità del tubo di scarico si trovi all'altezza corretta (<i>vedere INSTALLAZIONE</i>). Verificare la presenza di effetti sifone nel sistema fognario domestico e, se necessario, installare un interruttore sifone/una valvola di ammissione dell'aria.
	È presente una quantità eccessiva di schiuma.	Il dosaggio del detersivo non è stato stabilito in modo corretto oppure il detersivo non è del tipo adatto alle lavastoviglie (<i>vedere RIEMPIMENTO DEL DISTRIBUTORE DETERSIVO</i>).
	Aria nella rete idrica.	Controllare che non vi siano perdite nell'impianto idraulico o altri problemi che causino l'ingresso di aria.
Le stoviglie non vengono asciugate bene.	Il brillantante non è presente o il dosaggio è troppo basso.	Assicurarsi che la vaschetta del brillantante sia piena (<i>vedere RIEMPIMENTO DEL DISTRIBUTORE BRILLANTANTE</i>). Le sole compresse multifunzionali non garantiscono un effetto di asciugatura altrettanto buono rispetto all'uso effettivo del brillantante liquido.
	Le stoviglie sono state scaricate dopo l'apertura automatica della porta, ma prima della fine del ciclo effettivo.	Assicurarsi che il ciclo sia terminato prima di iniziare a scaricare le stoviglie (<i>vedere USO QUOTIDIANO</i>). Per ottenere risultati di asciugatura ancora migliori, si consiglia di lasciare le stoviglie all'interno della lavastoviglie con la porta aperta per altri 15 minuti dopo la fine del ciclo.
	Le stoviglie sono troppo distese.	Se si notano ristagni d'acqua all'interno delle cavità di tazze, tazzine o ciotole, provare a caricare le stoviglie (soprattutto nel cestello superiore) fornendo una maggiore inclinazione per far gocciolare una maggiore quantità d'acqua prima dell'inizio dell'asciugatura.
	Il ciclo selezionato non prevede la fase di asciugatura.	Verificare nella <i>TABELLA DEI PROGRAMMI</i> se il programma selezionato è predisposto per la fase di asciugatura. Il ciclo senza la fase di asciugatura potrebbe non fornire l'efficienza di asciugatura desiderata, quindi si raccomanda di cambiare la selezione del ciclo con quella che prevede la fase di asciugatura.
	Piatti in materiale antiaderente o in plastica.	La presenza di alcune gocce d'acqua su questo tipo di materiale è normale.
I piatti e i bicchieri presentano striature blu o sfumature bluastre.	La dose di brillantante è eccessiva.	Regolare il dosaggio su un'impostazione più bassa.
I piatti e i bicchieri sono ricoperti di calcare o di una pellicola biancastra.	Il serbatoio del sale è vuoto.	Riempire il serbatoio di sale il prima possibile. L'utilizzo dell'apparecchio senza sale può causare danni ai componenti interni.
	L'impostazione della durezza dell'acqua è troppo bassa.	Aumentare l'impostazione (<i>vedere TABELLA DELLA DUREZZA DELL'ACQUA</i>).
	Tappo del serbatoio sale non correttamente chiuso.	Controllare e chiudere il tappo del serbatoio del sale.
	Il serbatoio del brillantante è vuoto o il dosaggio del brillantante è insufficiente.	Riempire nuovamente la vaschetta con il brillantante e controllare l'impostazione del dosaggio (per maggiori informazioni - <i>vedere RIEMPIMENTO DEL DISTRIBUTORE BRILLANTANTE</i>).
La lavastoviglie indica: F8 E5	La valvola è bloccata o difettosa.	Chiudere il rubinetto dell'acqua, se possibile. Non interrompere l'alimentazione elettrica. Chiamare l'assistenza.



Documentazione normativa, documentazione standard, ordinazione di pezzi di ricambio e altre informazioni sul prodotto possono essere reperite:

- Usare il codice QR e visitando il nostro sito web docs.whirlpool.eu/docs
- Visitando il nostro sito web parts-selfservice.europanappliances.com
- Oppure, **contattare il Servizio Assistenza Tecnica** (al numero di telefono riportato sul libretto di garanzia). Quando si contatta il Servizio Assistenza Tecnica, fornire i codici presenti sulla targhetta matricola del prodotto.

I dati del modello possono essere richiamati usando il codice QR riportato sull'etichetta energetica. L'etichetta riporta anche il codice identificativo del modello che può essere utilizzato per consultare il portale di registrazione su <https://eprel.ec.europa.eu>





DĖKOJAME, KAD ĮSIGIJOTE WHIRLPOOL GAMINĮ.

Kad galėtumėte tinkamai pasinaudoti pagalba, užregistruokite savo prietaisą svetainėje: www.whirlpool.eu/register

Prieš pradėdami naudotis prietaisu, atidžiai perskaitykite saugos ir montavimo instrukcijas. Daugiau informacijos apie gaminį pateikiama svetainėje: docs.whirlpool.eu/docs



Po montavimo nepamirškite nuo indaplovės nuimti apsauginių transportavimo dalių.

VALDYMO SKYDELIS

1. ĮJUNGIMO-İŞJUNGIMO/Nustatymo iš naujo mygtukas su indikatoriaus lempute
2. ANKSTESNĖS programos mygtukas
3. KITOS programos mygtukas
4. MĖGSTAMIAUSIOS programos mygtukas su indikatoriaus lempute
5. Tuščios Druskos Talpyklos indikatoriaus lemputė
6. Tuščios Skalavimo Skysčio Talpyklos indikatoriaus lemputė
7. NUOSĖDŲ ŠALINIMO indikatoriaus lemputė
8. Uždaryto Vandens Čiaupo indikatoriaus lemputė
9. Ekranas
10. Programos numerio ir likusio laiko indikatorius



11. Power Clean® parinkties mygtukas su indikatoriaus lempute
12. Pusinės įkrovos parinkties mygtukas su indikatoriaus lempute / Nustatymas – spauskite 3 sek.
13. Ypač Sausa parinkties mygtukas su indikatoriaus lempute
14. Atidėjimo parinkties mygtukas su indikatoriaus lempute
15. PALEIDIMO/Pristabdymo mygtukas su indikatoriaus lempute

NAUDOJIMAS PIRMĄ KARTĄ

NUSTATYMŲ MENIU

1. Įjunkite įrenginį paspausdami ĮJUNGIMO/İŞJUNGIMO mygtuką.
2. Paspauskite ir 3 sek. palaikykite Nustatymo (Pusinės įkrovos) mygtuką, kol pasigirs signalas, o ekrane bus rodoma „SET“.
3. Praėjus vieni sekundei bus rodomas pirmas galimas nustatymas (raidė „h“).
4. Paspauskite mygtuką ANKSTESNIS</KITAS> ir slinkite galimų nustatymų sąrašą (žr. toliau pateikiamą lentelę), tada paspauskite PALEISTI/Pristabdyti , jei norite peržiūrėti ir pakeisti pasirinkto nustatymo reikšmę.
5. Paspauskite ANKSTESNIS</KITAS>, jei norite pakeisti reikšmę, tada paspauskite PALEISTI/Pristabdyti , išsaugokite naująją reikšmę ir grįžkite į pagrindinį meniu.
6. Jei norite pakeisti kitą nustatymą, kartokite 4 ir 5 punkto veiksmus.
7. Jei norite išeiti iš meniu, paspauskite ĮJUNGIMO/İŞJUNGIMO mygtuką arba palaukite 30 sek.

RAIDĖ	NUSTATYMAS	REIKŠMĖS (Numatytais – paryškintais)
	Vandens kietumo lygis (žr. „VANDENS KIETUMO NUŠTATYMAS“ ir „VANDENS KIETUMO LENTELĖ“)	1 2 3 4 5
	Skalavimo skysčio dozavimo lygis (žr. „SKALAVIMO SKYSČIO DOZAVIMO REGULIAVIMAS“)	0 1 2 3 4 5
	NaturalDry (žr. „PARINKTYS IR FUNKCIJOS“) "1" = Įjungta, "0" = Išjungta	1 0
	Lemputė ant grindų (žr. „PARINKTYS IR FUNKCIJOS“) "1" = Įjungta, "0" = Išjungta	1 0
	Garsas "1" = Įjungta, "0" = Išjungta	1 0
	Gamykliniai nustatymai Paspauskite PALEISTI/Pristabdyti, jei norite atkurti visas numatytas gamyklinių nustatymų reikšmes, įtrauktas į nustatymų meniu.	-

DRUSKOS TALPYKLOS PAPILDYMAS

Naudojant druską ant indų ir prietaiso funkcinių dalių nesikaupia kalkių nuosėdos. Druskos talpykla yra apatinėje indaplovės dalyje (po apatine lentynėle kairėje pusėje).

- Būtina užtikrinti, kad druskos talpykla nebūtų tuščia.
- Labai svarbu, kad nustatytumėte vandens kietumą.
- Kai valdymo skydelyje užsidega DRUSKOS PAPILDYMO indikatoriaus lemputė , reikia įpilti druskos.



1. Išimkite apatinę lentynėlę ir atsukite talpyklos dangtelį (sukite prieš laikrodžio rodyklę).
2. Įstatykite piltuvėlį (žr. paveikslėlių) ir pripildykite druskos talpyklą iki pat jos kraštų (apie 0,5 kg); gali būti, kad iškės šiek tiek vandens.
3. Tik atliekant pirmą kartą: pripildykite druskos talpyklą su vandeniu.

4. Išimkite piltuvėlį ir nušluostykite druskos likučius nuo angos. Dangtelį būtina gerai užsukti, kad veikiant plovimo programai į talpyklą nepatektų ploviklių (tai gali nepataisomai sugadinti vandens minkštinimo įtaisą). Įpylę druskos visada nedelsdami paleiskite programą, kad išvengtumėte korozijos.

Vandens kietumo nustatymas

Kad vandens minkštinimo įtaisas veiktų tinkamai, labai svarbu, kad vandens kietumas būtų nustatytas pagal tikrąjį vandens kietumą jūsų namuose. Šią informaciją galite gauti iš vietinio vandens tiekėjo. Gamyklinis nustatymas yra "3". Žr. „VANDENS KIETUMO LENTELĖ“.

Vandens kietumo lentelė

Lygis	°dH Vokiškieji laipsniai	°fH Prancūziškieji laipsniai	°Clark Angliški laipsniai
1 (minkštas)	0 - 6	0 - 10	0 - 7
2 (vidutinis)	7 - 11	11 - 20	8 - 14
3 (vidurkis)	12 - 16	21 - 29	15 - 20
4 (kietas)	17 - 34	30 - 60	21 - 42
5 (labai kietas)	35 - 50	61 - 90	43 - 62

Norėdami pakeisti vykdykite skyriuje „NUSTATYMŲ MENU“ pateikiamas instrukcijas.

Naudokite tik specialiai indaplovėms skirtą druską.

Kai visą druską supilsite į prietaisą, DRUSKOS PAPILDYMO indikatoriaus lemputė užges.

Jei nebus pripildyta druskos talpykla, dėl susikaupusių kalkių apnašų gali būti pažeistas vandens minkštinimo ir kaitinimo elementas.

Druską rekomenduojame naudoti karu su indaplovėms skirtomis plovimo priemonėmis.

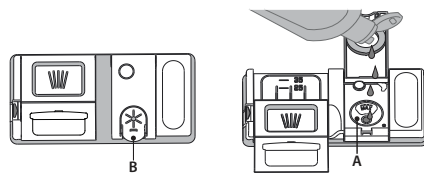
VANENS MINKŠTINIMO SISTEMA

Vandens minkštinimo įranga automatiškai sumažina vandens kietumą, taip išvengiama kalkių sancaupų ant kaitinimo elemento, pagerėja plovimo efektyvumas. Ši sistema savaime atsinaujina naudojama druską, todėl ištuštėjus druskos rezervuarui jį reikia papildyti. Atsinaujinimo dažnis priklauso nuo vandens kietumo lygio nustatymo – atnaujinimas vykdomas vieną kartą per 4-6 „Eco“ ciklą, kai nustatytas 3 vandens kietumo lygis. Regeneracijos procesas vykdomas ciklo pradžioje, įpilant papildomai švaraus vandens.

- Vienam atnaujinimui sunaudojama: ~3 l vandens;
- Cilas užtrunka iki 5 minučių ilgiau;
- Sunaudojama mažiau nei 0,005 kWh energijos.

SKALAVIMO SKYSČIO DOZATORIAUS PILDYMAS

Skalavimo skystis padeda lengviau išdžiovinti indus. Skalavimo skysčio dozatorių A reikėtų pripildyti, kai valdymo skydelyje užsidega SKALAVIMO SKYSČIO PAPILDYMO indikatoriaus lemputė .



1. Paspausdami ir patraukdami aukštyn dangtelio fiksatorių atidarykite dozatorių B.

2. Atsargiai įpilkite skalavimo skysčio iki maksimalaus lygio žymos (110 ml) – nepripilkite per daug. Jei taip kartais nutiktų, iškart nuvalykite išspylusį skystį sausa šluoste.

3. Uždarydami paspauskite dangtelį, kad pasigirstų spragtelėjimas.

Skalavimo skysčio NIEKADA nepilkite tiesiai į indaplovę.

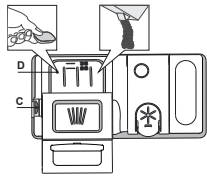
Skalavimo skysčio dozavimo reguliavimas

Jei nesate visiškai patenkinti džiovimo rezultatais, galite pareguliuoti naudojamo skalavimo skysčio kiekį. Norėdami pakeisti vykdykite skyriuje „NUSTATYMŲ MENU“ pateikiamas instrukcijas.

Jei skalavimo skysčio lygį nustatysite kaip NULLIS, skalavimo skystis nebus naudojamas. Pasibaigus skalavimo skysčiui ŽEMO SKALAVIMO SKYSČIO LYGIO indikatoriaus lemputė neužsidegs.

Atsižvelgiant į naudojamos indaplovės modelį galite nustatyti iki 6 lygių.

- Jei ant indų matote melsvus dryžius, nustatykite žemesnį skaičių (0-3).
- Jei ant indų matote vandens lašelius arba kalkių nuosėdų žymes, nustatykite didesnį skaičių (4-5).



PLOVIKLIO DOZATORIAUS PILDYMAS

Jei norite atidaryti ploviklio dozatorių, naudokite atidarymo įtaisą C. Ploviklio pilkite tik į sausą dozatorių D. Parengiamojo plovimo ploviklio kiekį įdėkite tiesiai į indaplovę.

1. Matuodami ploviklio kiekį vadovaukitės anksčiau pateikta informacija, kad įdėtumėte tinkamą jo kiekį. Dozatoriaus D viduje yra žymos, kurios padės pasirinkti tinkamą ploviklio kiekį.

2. Pašalinkite ploviklio likučius iš dozatoriaus kampe, tada uždarykite dangtelį taip, kad jis spragtelėtų.
3. Traukdami aukštyn, kol uždarymo įtaisas užsifiksuos vietoje, uždarykite ploviklio dozatoriaus dangtelį.

Ploviklio dozatorius automatiškai atsidarys reikiamu metu vykdant programą.

Naudojant ne indaplovėms skirtą skalbimo priemonę įrenginys gali netinkamai veikti arba sugesti.

KASDIENIS NAUDOJIMAS

1. PATIKRINKITE PRIJUNGIMĄ PRIE VANDENTIEKIO

Patikrinkite, ar indaplovė prijungta prie vandentiekio sistemos ir atidarytas čiaupas.

2. ĮJUNKITE INDAPLOVĘ

Atidarykite dureles ir paspauskite **ĮJUNGIMO/ISJUNGIMO** o mygtuką.

3. SUDĖKITE INDUS Į LENTYNĖLES (žr. *DĖJIMAS Į LENTYNĖLES*).

4. PLOVIKLIO DOZATORIAUS PILDYMAS

5. PASIRINKITE PROGRAMĄ IR PRITAIKYKITE CIKLĄ

Pagal indų tipą ir jų nešvarumo lygį (žr. *PROGRAMŲ APRAŠYMAS*) spausdami mygtuką **ANKSTESNIS/KITAS** pasirinkite tinkamą programą.

Pasirinkite reikiamas parinktis (žr. *PARINKTYS IR FUNKCIJOS*). Ne visos parinktys suderinamos su visomis funkcijomis.

6. PALEIDIMAS

Paleiskite plovimo ciklą paspausdami **PALEISTI/Pristabdyti** mygtuką (LED ims šviesti) ir per 4 sekundes uždarydami dureles. Kai programa pasileis, išgirsite vieną pyptelėjimą. Jeigu durelės nebus uždarytos per 4 sekundes, pasigirs įspėjamasis signalas. Tokiu atveju atidarykite dureles, paspauskite **PALEISTI/Pristabdyti** mygtuką ir vėl uždarykite dureles per 4 sekundes.

7. PLOVIMO CIKLO PABAIGA

Apie pasibaigusį plovimo ciklą praneša garsinis signalas ir ekrane rodomas užrašas **END** (baigta). Atidarykite dureles ir išjunkite prietaisą paspausdami **ĮJUNGIMO/ISJUNGIMO** mygtuką.

Prieš išimdami indus palaukite kelias minutes, kad nenusidegintumėte. Išimkite indus iš lentynėlių pradėdami nuo apatinės.

VEIKIANČIOS PROGRAMOS PAKEITIMAS

Jei pasirinkote netinkamą programą, ją galima pakeisti, jei ji ką tik prasidėjo. Mašinos **NUSTATYMAS IŠ NAUJO**: paspauskite ir ilgiau nei 3 sek. palaikykite **ĮJUNGIMO/ISJUNGIMO** mygtuką, kad išjungtumėte mašiną. **Prietaisų skydelyje matysite „0:01“**. Uždarykite dureles ir palaukite, kol bus baigtas išleidimo ciklas (apie 1 min.). Atidarykite dureles ir vėl įjunkite mašiną paspausdami **ĮJUNGIMO/ISJUNGIMO** mygtuką, tada pasirinkite naują plovimo ciklą ir norimas parinktis. Paleiskite ciklą paspausdami **PALEISTI/Pristabdyti** mygtuką ir uždarydami dureles per 4 sek.

PAPILDOMŲ INDŲ ĮDĖJIMAS

Neišjungdami mašinos šiek tiek praverkite dureles, kad neištikėtų vanduo (ims mirksėti **PALEISTI/Pristabdyti** LED) (**Įspėjimas! Karšti garai!**) ir įdėkite indus į indaplovę. Paspauskite **PALEISTI/Pristabdyti** mygtuką ir per 4 sekundes uždarykite dureles; ciklas bus tęsiamas nuo tos vietos, kurioje jis buvo nutrauktas.

NETYČINIS NUTRAUKIMAS

Jei plovimo ciklo metu atidarysite dureles arba nutrūks elektros tiekimas, ciklas bus sustabdytas. **TIK JEI PASPAUSITE PALEISTI/Pristabdyti** mygtuką ir uždarykite dureles per 4 sek., ciklas bus tęsiamas nuo tos vietos, kurioje jis buvo nutrauktas.

PATARIMAI IR REKOMENDACIJOS

PATARIMAI

Prieš dėdami į krepšius nuo indų pašalinkite visus maisto likučius, o stiklines išpilkite. **Skalauti po tekančiu vandeniu nereikia.**

Indus sudėkite taip, kad jie tvirtai laikytųsi vietoje ir neapvirėtų; indus sudėkite angomis žemyn, o įgaubtas / išgaubtas dalis – įstrižai, taip vanduo pasieks visus paviršius ir galės laisvai tekėti.

Perspėjimas: dangteliai, rankenėlės, padėklai ir kepimo skardos netrukdo mentėms su purkštukais sukis.

Visus smulkius daiktus sudėkite į įrankių krepšį.

Stipriai nešvarius indus ir keptuves dėkite į apatinį krepšį, nes šiame skyriuje vandens srovė yra stipresnė, todėl plaunama intensyviau.

Sukrovę indus į prietaisą įsitikinkite, ar laisvai sukasi mentės su purkštukais.

NETINKAMI INDAI

- Mediniai indai ir įrankiai.
 - Jautrios dekoruotos stiklinės, meno dirbiniai ir antikvariniai indai. Šių indų papuošimai nėra atsparūs.
 - Dalys iš sintetinių medžiagų nėra atsparios aukštai temperatūrai.
 - Variniai ir alaviniai indai.
 - Indai sutepti pelenais, vašku, tepalu ar rašalu.
- Plaunant stiklinių indų spalvoti papuošimai ir aliumininės / sidabro detalės gali pakeisti spalvą ir išblukti. Be to, po kelių plovimo ciklų tam tikrų tipų stiklo (pvz., krištolo) indai gali tapti matiniais.

STIKLO IR INDŲ PAŽEIDIMAI

- Naudokite tik stiklinius ir porcelianinius indus, kurių gamintojas nurodo, jog juos saugu plauti indaplovėje.
- Naudokite švelnų ploviklį, kuris tinka indams.
- Stiklines, taures ar indus iš indaplovės išimkite kuo greičiau pasibaigus plovimo ciklui.

PATARIMAI DĖL ENERGIJOS TAUPYMO

- Kai būtina indaplovė naudojama pagal gamintojo instrukcijas, **plaunant stalo indus indaplovėje paprastai sunaudojama MAŽIAU ENERGIJOS ir vandens, nei plaunant indus rankomis.**
- Kad būtų maksimaliai išnaudojamas indaplovės efektyvumas, rekomenduojama **paleisti plovimo ciklą, kai indaplovė pilnai užkrauta.** Užkraunant buitinę indaplovę iki gamintojo nurodytos talpos, bus sutaupoma daugiau energijos ir vandens. Informacijos, kaip teisingai sudėti stalo indus, rasite skyriuje LENTYNĖLIŲ UŽPILDYMAS. Jei užkrovė tik dalinai, rekomenduojama naudoti atitinkamą plovimo parinktį, jei ji yra (pusinė įkrova / zonos plovimas / keleto zonų), užpildant tik pasirinktas lentynėles. Neteisingai sudėjus indus arba pridėjus jų per daug gali padidėti resursų sąnaudos (pavyzdžiui, vandens, energijos ir laiko, o taip pat gali padidėti triukšmo lygis), sumažėti plovimo ir džiovinimo kokybė.
- Rankiniu būdu praskalaujant indus prieš dedant į indaplovę padidėja vandens ir energijos sąnaudos, todėl tai nerekomenduojama.

HIGIENA

Kad išvengtumėte kvapų ir indaplovėje susikaupusių nešvarumų, **bent kartą per mėnesį paleiskite aukštos temperatūros programą.** Įdėkite šaukštelį ploviklio ir paleiskite programą be įkrovos, kad prietaisą išplautumėte.

APSAUGA NUO ŠALČIO

Jei prietaisas statomas aplinkoje, kurioje esama užšalimo pavojaus, jį **reikia visiškai ištuštinti.** Užsukite vandens čiaupą, atjunkite tiekimo ir išleidimo žarnas, išleiskite visą vandenį. **Įsitikinkite, ar vandens minkštinimo įrenginio druskos** talpykloje yra ištirpusios atkuriamosios druskos, kad prietaisui nepakenktų aplinkos temperatūra, pvz., -20 °C.

Jei prietaisas buvo laikomas šaltoje patalpoje, jis turi pastovėti aplinkoje, kurios temperatūra mažiausiai 5°C bent **24 val.** prieš paleidžiant jį pirmą kartą.

PROGRAMŲ LENTELĖ

Programa	Programų aprašymas	Džiovinimo etapas	NaturalDry	Galimos parinktys *)	Plovimo programos trukmė (h:min)**)	Vandens sąnaudos (litrai ciklui)	Energijos sąnaudos (kWh/ciklui)
P1 Eco	Ekonominė 50° - Programa „Eco“ tinka įprastai užterštiems stalo indams plauti iškart po naudojimo, tai efektyviausia programa pagal bendras energijos ir vandens sąnaudas, ji naudojama, kad būtų tenkinamos ES ekologinio projektavimo nuostatos.	✓	✓	POWER CLEAN 1/2 + ↻ h	4:00	9,5	0,64
P2	Automatinė Intensyvus 65° - Automatinė programa stipriai užterštiems indams ir keptuvėms (netink jautriems indams).	✓	✓	POWER CLEAN 1/2 + ↻ h	2:25-3:10	15,5-24,5	1,30-1,70
P3	Automatinė Mišriems 55° - Automatinė programa įprastai nešvariems indams, ant kurių yra pridžiuvusių maisto likučių.	✓	✓	POWER CLEAN 1/2 + ↻ h	1:20-3:00	7,5-19,5	0,75-1,20
P4	Automatinė Greitas 50° - Automatinė programa įprastai nešvariems ir tik šiek tiek nešvariems indams. Kasdienis ciklas, užtikrinantis optimalią švarą ir džiovinimą per trumpesnę laiką.	✓	✓	POWER CLEAN 1/2 + ↻ h	1:00-1:50	7,5-15,5	0,70-1,10
P5	Greita 45° - programa rekomenduojama nedideliame šiek tiek nešvarių indų kiekiui, ant kurių nėra pridžiuvusių maisto likučių. Nėra džiovinimo fazės.	-	✓	1/2 + ↻ h	0:30-0:40	10-12	0,55-0,65
P6	Krištolas 45° - Programa, skirta jautriems indams, kurie jautriau reaguoja į aukštą temperatūrą, pvz., stiklinės, taurės ir puodeliai.	✓	✓	1/2 + ↻ h	1:40-1:50	12,5-16,5	0,95-1,20
P7	Tyloji 55° - Tinka, kai prietaisą įjungiate nakčiai. Užtikrina optimalią švarą ir džiovinimą skleidžiant kuo mažiau triukšmo.	✓	✓	+ ↻ h	3:50-4:10	10,5-14,5	0,80-1,15
P8	Sanitarinė 65° - Įprastai arba stipriai nešvarūs indai, kai reikia papildomo antibakterinio plovimo. Gali būti naudojamas atliekant indaplovės techninę priežiūrą.	✓	-	POWER CLEAN 1/2 + ↻ h	1:55-2:10	12-19	1,40-1,80
P9	Parengiamasis plovimas - Naudokite indams, kurie bus plaunami vėliau, paruošti. Šiai programai nenaudojama jokie ploviklio.	-	✓	1/2 ↻ h	0:12	4,5	0,10
P10	Savaiminio valymo 65° - Programa, skirta naudoti indaplovės priežiūrai, turi būti vykdoma tik kai indaplovė yra TUŠČIA, naudojant specialias plovimo priemones, skirtas indaplovės priežiūrai.	-	-	↻ h	1:15	11,0	1,10

Ekonominės („Eco“) programos duomenys yra apskaičiuoti laboratorijos sąlygomis vadovaujantis Europos standarto EN 60436:2020 reikalavimais. Pastaba bandymų laboratorijoms: dėl informacijos apie lyginamuosius Europos standartus rašykite adresu: dw_test_support@whirlpool.com. Pirminis lėkščių apdorojimas nereikalingas prieš visas programas. *) Vienu metu galima naudoti ne visas parinktis. **) Reikšmės, pateikiamos kitoms programoms nei „Eco“, yra tik rekomendacinio pobūdžio. Tikrasis laikas gali keistis dėl daugelio veiksnių, pvz., tiekiamo vandens temperatūros ir slėgio, patalpos temperatūros, ploviklio kiekio, įkrovos kiekio ir tipo, įkrovos paskirstymo, papildomai pasirinktų parinkčių ir jutiklio kalibravimo. Dėl jutiklio kalibravimo programos trukmė gali pailgėti iki 20 min.

PARINKTYS IR FUNKCIJOS

PARINKTYS gali būti pasirinktos / anuliuotos pasirinkus programą, tiesiogiai paspaudžiant atitinkamą mygtuką (jei indikatorius yra, jis švies) (žr. VALDYMO SKYDELĮ). Jei parinktis negali būti naudojama su pasirinkta programa (žr. PROGRAMŲ LENTELĖ), greitai 3 kartus sumirksės atitinkama LED lemputė ir pasigirs signalas. Parinktis nebus įjungta. Parinktis gali pakeisti programos trukmę, vandens arba energijos sąnaudas.

POWER CLEAN - Dėl papildomų vandens purkštukų šioje srityje ši programa intensyviau plauna apatinėje lentinėlėje konkrečioje vietoje sudėtus indus. Šią parinktį rekomenduojama naudoti plaunant puodus ir troškintuvus. Norėdami įjungti POWER CLEAN, paspauskite šį mygtuką. (Žr. skyrių „Power Clean“ pridėjimas).

1/2 PUSINĖ ĮKROVA - Jei plaunamų indų nedaug, pasirinkę PUSINĖ ĮKROVĄ galite taupyti vandenį, elektrą ir laiką, atsižvelgiant į pasirinktą programą. **Nepamirškite sumažinti ir ploviklio kiekio.**

|||+ YPAČ SAUSA - Naudojant aukštesnę temperatūrą galutinio skalavimo metu ir pailginus džiovinimo etapą pagerinami džiovinimo rezultatai. Įjungus parinktį YPAČ SAUSA plovimo ciklas pailgėja.

↻ h ATIDĖJIMAS - Programos paleidimą galima atidėti pasirinktam laikui nuo **0:30 iki 24 val.**

1. Pasirinkite programą ir pageidaujamas parinktis. Spauskite ATIDĖJIMO mygtuką (spaudinėkite) ir pasirinkite programos atidėjimo laiką. Galima nustatyti nuo 0:30 iki 24 val. Kai pasiekiamas 24 val. nustatymas, paspauskite ATIDĖJIMO mygtuką dar kartą, kad išjungtumėte ATIDĖJIMO funkciją.

2. Paspauskite PALEISTI/Pristabdyti mygtuką ir per 4 sekundes uždarykite dureles.

3. Šiam laikui pasibaigus indikatorius lemputė užgesta, o programa paleidžiama automatiškai.

ATIDĖJIMO funkcijos negalima įjungti, kai programa paleidžiama.

♥ MĖGSTAMIAUSIA - mėgstamiausią programą galima išsaugoti, kad ji būtų lengvai pasiekiami. Suraskite programą mygtukais ANKSTESNĖ/KITA, tada paspauskite ir 3 sek palaikykite nuspaudę mygtuką Mėgstamiausia programa.

✘ UŽSUKTAS VANDENS ČIAUPAS – Signalas - Mirksi, kai neįteka vanduo ar užsuktas vandens čiaupas.

LEMPUTĖ ANT GRINDŲ - LED lemputė šviečia ant grindų ir rodo, kad indaplovė veikia. Lemputė užgesta pasibaigus ciklui. Ši funkcija įjungžiama pagal numatytuosius nustatymus, tačiau ją galima išjungti NUSTATYMŲ MENIU.

NaturalDry - patogi džiovinimo sistema, kuri automatiškai atidaro dureles džiovinimo fazės metu ar po jos, kad visada būtų užtikrinami puikūs džiovinimo rezultatai. Durelės atsidaro, kai temperatūra yra saugi jūsų virtuvės baldams. Kaip papildoma apsauga nuo garų kartu su indaplove pridėdama specialią apsauginę plėvelę. Kaip sumontuoti apsauginę plėvelę, žiūrėkite ĮRENGIMO VADOVĄ. Ši funkcija įjungžiama pagal numatytuosius nustatymus, tačiau ją galima išjungti NUSTATYMŲ MENIU.

🔔 NUOSĖDŲ ŠALINIMAS – Signalas - Nustatyta, kad ant prietaiso vidinių komponentų susikaupę kalkių nuosėdų. Patikrinkite, ar tinkama vandens kietumo nustatymo reikšmė ir ar **druskos talpykloje yra druskos** (žr. NAUDOJIMAS PIRMA KARTĄ), tada naudokite kalkių šalinimo priemonę (rekomenduojama naudoti „WPro“ prekių ženklą gaminius) ir paleiskite **Savaiminio valymo programą**. Sėkmingai pašalinus kalkes, piktograma nebebus rodoma.

Neatlikus nurodytų veiksmų, gaminio eksploatacinės savybės pablogės. Ims mirksėti įspėjimas NUOSĖDŲ ŠALINIMAS ir ekrane bus rodomas signalas «DES». Jei nesiimsite jokių veiksmų, prietaisas leis paleisti tik tam tikrą ciklų skaičių (kai ekrane rodomas «DES» signalas), o tada bus **užblokuotas**, kad būtų išvengta komponentų pažeidimų ir bus galima naudoti **tik Savaiminio valymo programą**. Atlikus visišką kalkių šalinimą, prietaisas bus atblokuotas. Jei kalkių kiekis labai didelis, siekiant užtikrinti veiksmingą jų šalinimą procesą gali tekti atlikti du kartus.

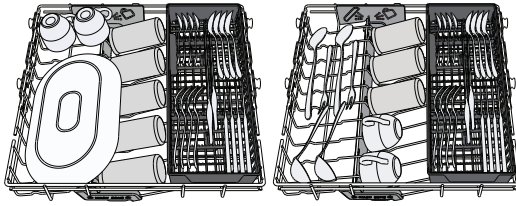
L: 1/2 VERTINIMAS - Kai jutiklis nustato nešvarumo lygį, ekrane parodoma animacija (apie 20 min.) ir ciklo trukmė pakoreguojama. Vertinimas skirtas nustatyti indų nešvarumo lygį; jis taikomas visuose cikluose (išskyrus „Eco“) ir atitinkamai pakoreguoja programą.

DĖJIMAS Į LENTYNĖLES

TALPA: 18 standartinių talpos nustatymų

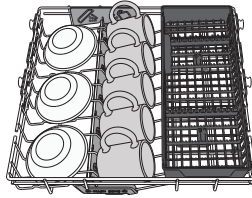
AUKŠČIAUSIA LENTYNĖLĖ

Aukščiausios lentynėlės plovimo zona yra skirta plauti dubenis, puodelius, net didelės lėkštes ir stalo įrankius, kuriuos paprastai dėdavome į apatinę lentynėlę, todėl dabar atsiranda papildomos vietos likusiems dienos indams.



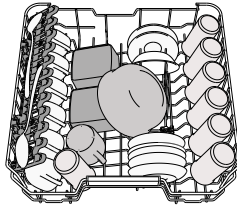
Įrankius sudėjus atskirame skyriuje lengviau juos surinkti baigus plauti, be to, pagerinami plovimo ir džiovinimo rezultatai.

Peilius ir kitus aštrius įrankius būtina dėkite ašmenimis žemyn.



VIRŠUTINĖ LENTYNĖLĖ

Sudėkite jautrius ir lengvus indus: stiklines, puodelius, lėkšteles, žemas salotines. Viršutinėje lentynėlėje yra pakeliamas atramos, kurias galima naudoti vertikaloje padėtyje, kai reikia sudėti puodelius / deserto lėkšteles, arba nuleisti, kad būtų galima sudėti dubenėlius ir maisto indelius.

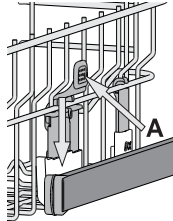


(indų dėjimo viršutinėje lentynėlėje pavyzdys)

Viršutinės lentynėlės aukščio reguliavimas

Viršutinės lentynėlės aukštį galima reguliuoti: viršutinė padėtis yra skirta dideliems indams apatiniame krepšyje sudėti, o apatinė – kad išnaudotumėte visas atlenkiamas atramas ir sukurtumėte daugiau vietos viršuje, o apatinėje lentynėlėje sudėti daiktai nesiliestų.

Viršutinėje lentynėlėje yra įrengtas **aukščio reguliatorius** (žr. pav.), nespausdami svirčių kelkite ją aukščiau tiesiog laikydami už lentynėlės kraštų, kol ji stabiliai užsifiksuos viršutinėje padėtyje. Jei lentynėlę vėl norite nuleisti, paspauskite svirtis **A** lentynėlės šonuose ir nuleiskite krepšį žemyn.

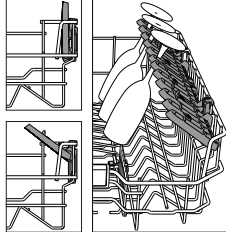


Primitytinai rekomenduojame lentynėlės aukščio nereguliuoti, kai ji pilna. NIEKADA nebandykite lentynėlės nuleisti ar pakelti tik vienoje pusėje.

Reguliuojamos padėties užlenkiami skydeliai

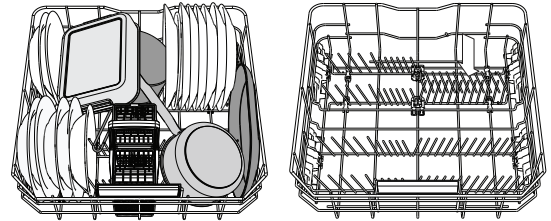
Šoninius užlenkiamus skydelius galima užlenkti ar atlenkti, kad optimizuotumėte indų išdėstymą krepšyje. Vyno taures galima saugiai dėti į užlenkiamus skydelius – tiesiog kiekvienos taurės kojelę įstatykite į atitinkamą angą. Priklausomai nuo modelio:

- Norint atlenkti skydelį, reikės jį pastumti aukščiau ir pasukti arba atlaisvinti laikiklius ir truktelėti žemyn.
- Norint užlenkti skydelį, reikės jį pasukti ir nulenkti skydelius žemyn arba truktelėti aukščiau ir pritvirtinti skydelius prie laikiklių.



APATINĖ LENTYNĖLĖ

Puodams, dangčiams, lėkštėms, salotinėms, įrankiams ir pan. Dideles lėkštes ir dangčius geriausia dėti kraštuose, kad jie netrukdytų mentėms su purkštukais. Apatinėje lentynėlėje yra pakeliamas atramos, kurias galima naudoti vertikaloje padėtyje, kai reikia sudėti lėkštes, arba horizontalioje padėtyje, kad būtų galima sudėti keptuves ir salotines.



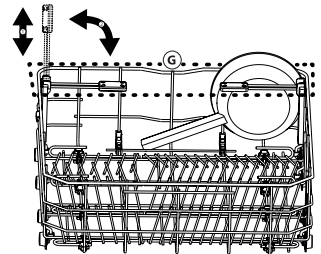
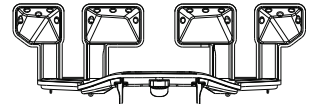
(indų dėjimo apatinėje lentynėlėje pavyzdys)

POWER CLEAN®

Power Clean® funkcija pasitelkdama specialias vandens sroves angoje galinėje dalyje intensyviau plauna stipriai nešvarius indus. Apatinėje lentynėlėje yra Power Clean® palaikymas, specialiai ištraukiamas atrama lentynėlės gale, kurią galima naudoti norint paremti keptuves ar kepimo skardas ir išlaikyti jas stačias, kad jos užimtų mažiau vietos. Jei puodus / troškintuvus įdėsite nukreipę į Power Clean®, skydelyje įjunkite funkciją **POWER CLEAN**.

Kaip naudoti Power Clean®:

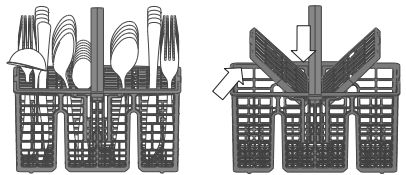
1. Sureguliuokite Power Clean® sritį (**G**) – nulenkite galinius lėkščių laikiklius, kad galėtumėte sudėti puodus.
2. Puodus ir troškintuvus Power Clean® srityje sudėkite vertikaliai šiek tiek pakreipdami. Puodai turi būti atsukti link vandens purkštukų.



ĮRANKIŲ KREPŠYS

Kad įrankius būtų patogiau sudėti, modulinio krepšelio viršuje yra tinklelis. Įrankių krepšelį būtina statykite tik apatinės lentynėlės priekyje.

Peilius ir kitus aštrius įrankius reikia dėti į įrankių krepšį smailiaju žemyn arba dėti horizontaliai atlenkiamame skyriuje viršutinėje lentynėlėje.



PRIEŽIŪRA IR TECHNINĖ PRIEŽIŪRA

FILTRŲ BLOKO VALYMAS

Reguliariai valykite filtras, kad jie neužsikimštų ir tinkamai ištekėtų panaudotas vanduo.

Naudojant indaplovę su užterštais filtrais arba esant svetimkūnių filtravimo sistemoje ar purkštuvuose galimas netinkamas veikimas – tai našumo sumažėjimas, triukšmingas veikimas arba didesnės resursų sąnaudos.

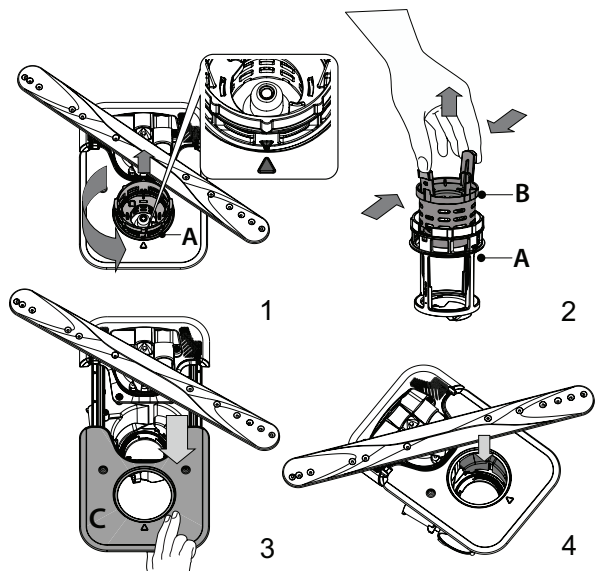
Filtrų bloką sudaro trys filtras, kurie iš plovimo vandens pašalina maisto likučius ir recirkuliuoja vandenį.

Indaplovę draudžiama naudoti be filtrų arba netinkamai pritvirtintus filtras.

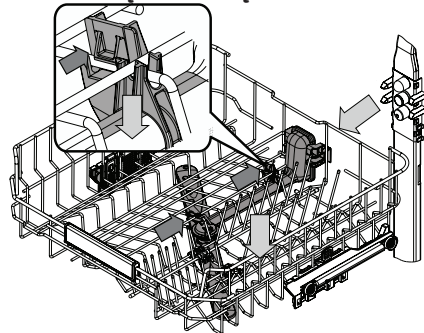
Bent kartą per mėnesį arba po kiekvienų 30 ciklų patikrinkite filtrų bloką ir prireikus jį gerai išplaukite po tekančiu vandeniu naudodami nemetalinį šepetėlį ir laikydami toliau pateikiamus nurodymus:

1. Pasukite cilindro formos filtrą **A** prieš laikrodžio rodyklę ir ištraukite jį (1 pav.). **Labai svarbu, kad montuojant filtrą iš naujo, abu trikampiai, pavaizduoti priartintame brėžinyje, sutaptų.**
2. Nuimkite filtro dangtelį **B** šiek tiek paspausdami šoninius fiksatorius (2 pav.).
3. Ištraukite nerūdijančio plieno plokštelės filtrą **C** (3 pav.).
4. Jei radote pašalinių objektų (pavyzdžiui stiklo ar porceliano šukių, kaulų, vaisių sėklų ir t. t.) **kruopščiai juos pašalinkite.**
5. Patikrinkite ir pašalinkite susikaupusius maisto likučius. **NIEKADA NENUIMKITE** plovimo ciklo siurblio apsaugos (parodyta rodykle) (4 pav.).

Išplovę filtras vėl įstatykite filtrų bloką ir tinkamai užfiksuokite jį vietoje. Tai labai svarbu norint užtikrinti tinkamą indaplovės veikimą.

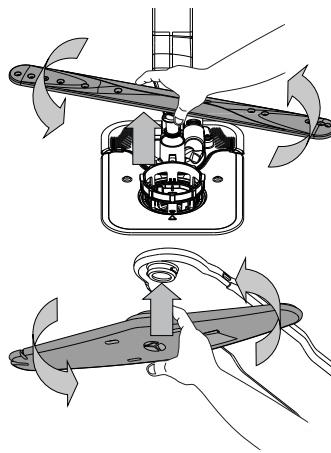


PURKŠTUKŲ ALKŪNIŲ VALYMAS



Kartais maisto likučiai gali įstrigti purkštukų alkūnėse ir užkšti angas, per kurias purškiamas vanduo. Todėl rekomenduojama kartkartėmis patikrinti alkūnes ir nuvalyti jas nedideliu nemetaliniu šepetėliu.

Norint išimti viršutinį purkštuką jį turite išimti kartu su vamzdynu.



Apatinę purkštukų alkūnę galima nuimti patraukiant aukštyn ir pasukant ją prieš laikrodžio rodyklę. Gražinkite apatinę purkštukų alkūnę atgal spustelėdami ją žemyn ir pasukdami pagal laikrodžio rodyklę.

Viršutinę purkštukų alkūnę galima nuimti patraukiant aukštyn ir pasukant ją prieš laikrodžio rodyklę. Gražinkite ją atgal truktelėdami aukštyn ir pasukdami pagal laikrodžio rodyklę.

Aukščiausiai esančioje lentynoje yra fiksuotas plovimo vamzdis, kurio visi plovimo purkštukai nukreipti į viršų. Norėdami išvalyti, galite išstumti lentyną ir pincetu išimti liekanas, kurios gali būti įstrigusios purkštukuose.

TRIKČIŲ ŠALINIMAS

Jei jūsų indaplovė tinkamai neveikia, patikrinkite, ar problemą galima išspręsti pasinaudojus šiuo sąrašu. Esant kitoms klaidoms ar problemoms, kreipkitės į įgaliotą techninės priežiūros centrą, kurio kontaktinę informaciją galite rasti garantijos knygelėje. Atsarginių detalių bus galima įsigyti 7 arba 10 metų, atsižvelgiant į įstatymuose numatytus reikalavimus.

PROBLEMOS	GALIMOS PRIEŽASTYS	SPRENDIMAI
Šviečia druskos indikatorius	Druskos rezervuaras yra beveik tuščias.	Įpilkite į rezervuarą druskos (daugiau informacijos - žr. DRUSKOS TALPYKLOS PAPILDYMAS). Jei reikia, patikrinkite vandens kietumo nustatymą - žr. VANDENS KIETUMO LENTELĒ.
Druskos indikatorius mirksi	Druskos rezervuaras yra tuščias.	Kuo greičiau įpilkite druskos į rezervuarą. Jei prietaisą naudosite be druskos, gali būti pažeisti vidiniai jo komponentai.
Šviečia arba mirksi skalavimo skysčio indikatorius	Skalavimo skysčio dozatorius yra tuščias. (Įpylus skalavimo skysčio indikatorius gali dar kurį laiką šviesti).	Įpilkite į rezervuarą skalavimo skysčio (daugiau informacijos žr. SKALAVIMO SKYSČIO DOZATORIAUS PILDYMAS).
Šviečia arba mirksi kalkių šalinimo indikatorius Rodomas įspėjimas «dES».	Ant vidinių prietaiso komponentų kaupiasi kalkių nuosėdos.	Nedelsdami atlikite prietaiso kalkių šalinimą naudodami Savaiminio Valymo programą ir parduotuvės parduodamą kalkių šalinimo priemonę (žr. PARINKTYS IR FUNKCIJOS). Įpilkite druskos į rezervuarą. Patikrinkite vandens kietumo nustatymą. Jei neatliksite kalkių šalinimo procedūros, prietaisas gali nustoti veikti.
Indaplovė neįsijungia arba neatsako į komandas.	Prietaisas yra netinkamai prijungtas prie maitinimo.	Įkiškite kištuką į maitinimo lizdą.
	Nutrūko elektros energijos tiekimas.	Siekiant užtikrinti saugumą, atkūrus maitinimo tiekimą indaplovė automatiškai nepasileis. Atidarykite dureles, paspauskite PALEIDIMO/Pristabdymo mygtuką ir vėl uždarykite dureles per 4 sekundes.
	Neuždarytos indaplovės durelės. NaturalDry smeigtukas neįtrauktas.	Stipriai pastumkite dureles, kad pasigirstų spragtelėjimas.
	Ciklą nutraukė ilgesnis nei 4 sek. durelių atidarymas.	Paspauskite PALEIDIMO/Pristabdymo mygtuką ir vėl uždarykite dureles per 4 sekundes.
Indaplovė neišleidžia vandens. Ekrane rodoma: F7 E3 arba F9 E1	Valdymo skydelis nereaguoja arba rodo F6 E1.	Išjunkite prietaisą paspausdami ĮJUNGIMO-IŠJUNGIMO/Nustatymo mygtuką, maždaug po minutės vėl jį įjunkite ir iš naujo paleiskite programą. Jei problema išlieka, atjunkite prietaisą nuo tinklo, palaukite 1 minutę, tada vėl prijunkite.
	Susikaupę maisto likučiai arba kalkės užkimšo filtrą.	Išvalykite filtrą ir atlikite prietaiso kalkių šalinimo procedūrą (žr. FILTRŲ BLOKO VALYMAS ir KALKIŲ ŠALINIMO INSTRUKCIJOS).
	Susimetusi išleidimo žarna.	Patikrinkite išleidimo žarną (žr. ĮRENGIMO INSTRUKCIJA).
Indaplovė neišleidžia vandens. Ekrane rodoma: H2O ir šviečia; skamba garsinis signalas.	Užsikimšęs praustuvo išleidimo vamzdis.	Išvalykite praustuvo išleidimo vamzdį.
	Indai dauzosi vienas į kitą.	Tinkamai sudėkite indus (žr. DĖJIMAS Į LENTYNĖLES).
	Susidarė per didelis putų kiekis.	Netinkamai pamatavote ploviklio kiekį arba jis netinkamas indaplovėms (žr. PLOVIKLIO DOZATORIAUS PILDYMAS). Išjungdami ir vėl įjungdami indaplovę paleiskite esamą ciklą iš naujo, pasirinkite naują programą, paspauskite PALEIDIMO/Pristabdymo mygtuką ir uždarykite dureles per 4 sekundes. Nepilkite ploviklio.
	Indai sudėti netinkamai.	Indus sudėkite tinkamai (žr. DĖJIMAS Į LENTYNĖLES).
Indai nešvarūs.	Susikaupę maisto likučiai arba kalkės užkimšo filtrą.	Išplaukite filtrų bloką (žr. PRIEŽIŪRA IR TECHNINĖ PRIEŽIŪRA).
	Indai sudėti netinkamai.	Indus sudėkite tinkamai (žr. DĖJIMAS Į LENTYNĖLES).
	Purkštukų alkūnės negali laisvai sukstis, nes joms trukdo indai.	Indus sudėkite tinkamai (žr. DĖJIMAS Į LENTYNĖLES). Patikrinkite, ar viršutinė lentynėlė yra tinkamoje padėtyje ir, jei reikia, ją pakoreguokite (pakelkite).
	Plovimo ciklas per švelnus.	Pasirinkite tinkamą plovimo ciklą (žr. PROGRAMŲ LENTELĒ).
	Susidarė per didelis putų kiekis.	Netinkamai pamatavote ploviklio kiekį arba jis netinkamas indaplovėms (žr. PLOVIKLIO DOZATORIAUS PILDYMAS).
	Skalavimo skysčio skyriaus dangtelis uždarytas netinkamai.	Patikrinkite, ar uždarytas skalavimo skysčio dozatoriaus dangtelis.
Indaplovė neprisipildo vandens. Ekrane rodoma: H2O ir šviečia; skamba garsinis signalas.	Susikaupę maisto likučiai arba kalkės užkimšo filtrą.	Išvalykite filtrą ir atlikite prietaiso kalkių šalinimo procedūrą (žr. FILTRŲ BLOKO VALYMAS).
	Druskos rezervuaras yra tuščias.	Pripildykite druskos talpyklą (žr. DRUSKOS TALPYKLOS PAPILDYMAS).
	Neprijungtas vandens tiekimas arba uždarytas čiaupas.	Patikrinkite, ar prijungtas vandens tiekimas ir ar atsuktas vandens čiaupas.
Indaplovė neprisipildo vandens. Ekrane rodoma: H2O ir šviečia; skamba garsinis signalas.	Susimetė vandens įleidimo žarna.	Patikrinkite įleidimo žarną (žr. ĮRENGIMAS). Atidarykite dureles, paspauskite PALEIDIMO/Pristabdymo mygtuką ir vėl uždarykite dureles per 4 sekundes.
	Užsikimšęs vandens įleidimo žarnos sietelis; jį reikia išvalyti.	Patikrinkite ir išvalykite vandens įleidimo žarnos sietelį. Uždarykite dureles ir paspauskite PALEIDIMO/Pristabdymo mygtuką.

PROBLEMOS	GALIMOS PRIEŽASTYS	SPRENDIMAI
Indaplovės ciklas baigiasi per anksti. Ekrane rodoma: F8 E3	Susikaupę maisto likučiai arba kalkės užkimšo filtrą.	Išvalykite filtrą ir atlikite prietaiso kalkių šalinimo procedūrą (žr. <i>FILTRŲ BLOKO VALYMAS ir KALKIŲ ŠALINIMO INSTRUKCIJOS</i>).
	Išleidimo žarna įrengta per žemai arba susidaro sifonas į namų kanalizacijos sistemą.	Patikrinkite, ar išleidimo žarnos galas yra tinkamame aukštyje (žr. <i>ĮRENGIMAS</i>). Patikrinkite, ar nesusidaro sifonas į namų kanalizacijos sistemą ir, jei reikia, sumontuokite pertraukiklį / oro įleidimo vožtuvą.
	Susidarė per didelis putų kiekis.	Netinkamai pamatavote ploviklio kiekį arba jis netinkamas indaplovėms (žr. <i>PLOVIKLIO DOZATORIAUS PILDYMAS</i>).
	Oras vandens tiekimo sistemoje.	Patikrinkite vandens tiekimo sandarumą ar kitas problemas, dėl kurių gali patekti oro.
Indai tinkami neišdžiovinami.	Nėra skalavimo priemonės arba jos dozė yra per maža.	Įsitikinkite, kad skalavimo priemonės dozatorius yra užpildytas (žr. <i>SKALAVIMO SKYSČIO DOZATORIAUS PILDYMAS</i>). Naudojant tik daugiavfunkcines tabletes nebus užtikrintas toks geras džiovavimo efektas, kaip naudojant skystą skalavimo priemonę.
	Indai buvo išimti automatiškai atidarius duris, tačiau dar nepasibaigus visam ciklui.	Prieš pradėdami iškrauti indus, įsitikinkite, kad ciklas yra pasibaigęs (žr. <i>KASDIENIS NAUDOJIMAS</i>). Siekiant dar geresnių džiovavimo rezultatų, ciklui pasibaigus rekomenduojame indus palikti indaplovėje atidarytomis durelėmis dar 15 minučių.
	Indai sustatyti per plokščiai.	Jeigu puodelių, bokalų ar dubenų ertmėse pastebėjote vandens, pabandykite indus į indaplovės (ypač viršutinę jų lentynėlę) krauti didesniu pasvyrimu, kad kuo didesnis vandens kiekis nulašėtų dar neprasisidėjus džiovinimui.
	Pasirinktas ciklas neturi džiovavimo etapo.	PROGRAMŲ LENTELEJE patikrinkite, ar pasirinktoje programoje yra džiovavimo etapas. Naudojant ciklą be džiovavimo etapo gali nepavykti užtikrinti pageidaujamo džiovavimo efektyvumo, todėl rekomenduojama pasirinkti ciklą su džiovavimo faze.
Indai yra pagaminti nelipnios medžiagos ar plastiko.	La presenza di alcune gocce d'acqua su questo tipo di materiale è normale.	
Indai ir stiklinės turi mėlynų dryžių arba melsvų atspalvių.	Naudojama per daug skalavimo skysčio.	Nustatykite mažesnę skysčio kiekį.
Indai ir stiklinės padengti kalkių nuosėdomis arba balkšva plėvele.	Druskos rezervuaras yra tuščias.	Kuo greičiau įpilkite druskos į rezervuarą. Jei prietaisą naudosite be druskos, gali būti pažeisti vidiniai jo komponentai.
	Vandens kietumo nustatymas yra per mažas.	Padidinkite nustatymą (žr. <i>VANDENS KIETUMO LENTELE</i>).
	Netinkamai uždarytas druskos talpyklos dangtelis.	Patikrinkite ir uždarykite druskos rezervuaro dangtelį.
Skalavimo skysčio rezervuaras yra tuščias arba nepakankama skalavimo skysčio dozė.	Įpilkite į rezervuarą skalavimo skysčio ir patikrinkite dozavimo nustatymą (daugiau informacijos - žr. <i>SKALAVIMO SKYSČIO DOZATORIAUS PILDYMAS</i>).	
Indaplovės ekranas rodo F8 E5	Vožtuvas užblokuotas arba sugedęs.	Jeigu yra galimybė, užsukite vandens čiaupą. Neiškinkite maitinimo tiekimo. Kreipkitės į techninės priežiūros centrą.

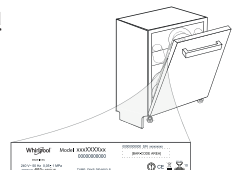


Informaciją apie įmonės politiką, standartinę dokumentaciją, informaciją apie atsarginių dalių užsakymą ir papildomą informaciją galite rasti atlikdami toliau nurodytus veiksmus:

- Naudodami QR kodą ir apsilankydami mūsų tinklalapyje docs.whirlpool.eu/docs
- Apsilankydami mūsų tinklalapyje parts-selfservice.europeanappliances.com
- Arba **kreipdamiesi į techninės priežiūros centrą** (žr. telefono numerius garantijos lankstinuke).

Kreipiantis į techninės priežiūros centrą būtina pateikti gaminio duomenų plokštelėje nurodytus kodus

Modelio informaciją galima gauti pasinaudojus QR kodu, pateikiamu energijos klasės etiketėje. Etiketėje yra nurodytas ir modelio identifikatorius, kuriuo galima pasinaudoti registro portale <https://eprel.ec.europa.eu>.





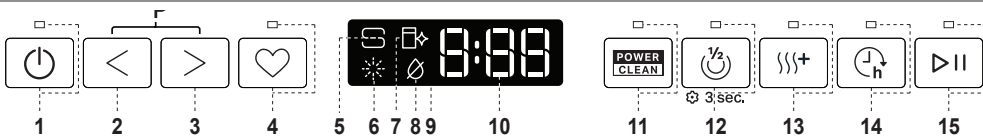
PALDIES, KA IEGĀDĀJĀTIES WHIRLPOOL IZSTRĀDĀJUMU.
Lai saņemtu pilnvērtīgu palīdzību, lūdzu, reģistrējiet savu ierīci
vietnē: www.whirlpool.eu/register

Pirms ierīces lietošanas rūpīgi izlasiet Drošības un uzstādīšanas instrukciju. Vairāk informācijas par jūsu izstrādājumu atradīsiet tīmekļa vietnē: docs.whirlpool.eu/docs

Pēc uzstādīšanas neaizmirstiet noņemt no trauku mazgājamās mašīnas visus transportēšanas aizsarglīdzekļus.

VADĪBAS PANELIS

1. **IESLĒGŠANAS/IZSLĒGŠANAS/Atiestatīšanas** poga ar indikatora gaismīņu
2. **IEPRIEKŠĒJĀS programmas** poga
3. **NĀKAMĀS programmas** poga
4. **IECIENĪTĀKĀ programmas** poga ar indikatora gaismīņu
5. **Tukšas sāls** tvertnes indikatora gaismīņa
6. **Tukšas skalošanas līdzekļa tvertnes** indikatora gaismīņa
7. **ATKALĶOŠANAS** indikatora gaismīņa
8. **Aizvērts Ūdens Krāna** indikatora gaismīņa
9. **Programmas numura un atlikušā laika** indikators
10. **Displejs**



11. **Power Clean® funkcijas** poga ar indikatora gaismīņu
12. **Pusielādes funkcijas** poga ar indikatora gaismīņu/ **Iestatījumi** – turiet nospiestu 3 sek.
13. **Loti Sauss funkcijas** poga ar indikatora gaismīņu
14. **Āizkave funkcijas** poga ar indikatora gaismīņu
15. **PALAIŠANAS/Apturēšanas** poga ar indikatora gaismīņu

PIRMĀ LIETOŠANAS REIZE

IESTATĪJUMU IZVĒLNE

1. Ieslēdziet ierīci, nospiežot **IESLĒGŠANAS/IZSLĒGŠANAS** (⏻) pogu.
2. Nospiediet **Iestatījumu** (⚙️) (Pusielāde (⏻)) pogu un turiet to nospiestu 3 sekundes, līdz dzirdat skaņas signālu un displejā ir redzams „**SET**”.
3. Pēc 1 sekundes tiks atainots pirmais pieejamais iestatījums („h” burts).
4. Nospiediet **IEPRIEKŠĒJĀS </NĀKAMĀS>**, lai ritinātu pieejamo iestatījumu sarakstu (skatīt zemāk esošo tabulu), pēc tam nospiediet **PALAIŠANAS/Apturēšanas** ▶️, lai apskatītu un mainītu aktuāli atlasītā iestatījuma vērtību.
5. Nospiediet **IEPRIEKŠĒJĀS </NĀKAMĀS>**, lai mainītu vērtību, pēc tam nospiediet **PALAIŠANAS/Apturēšanas** ▶️, lai saglabātu jauno vērtību un atgrieztos galvenajā izvēlnē.
6. Lai mainītu citu iestatījumu, atkārtojiet 4. and 5. punktu.
7. Nospiediet **IESLĒGŠANAS/IZSLĒGŠANAS** (⏻) vai nogaidiet 30 sekundes, lai izietu no izvēlnes.

BURTS	IESTATĪJUMS	VĒRTĪBAS (noklusējams – treknrakstā)
h	Ūdens cietības līmenis (skatīt „ŪDENS CIETĪBAS IESTATĪŠANA” un „ŪDENS CIETĪBAS TABULA”)	1 2 3 4 5
f	Skalošanas līdzekļa līmenis (skatīt „SKALOŠANAS LĪDZEKĻA DEVAS PIELĀGOŠANA”)	0 1 2 3 4 5
□	NaturalDry (skatīt „IZVĒLES IESPĒJAS UN FUNKCIJAS”) “1” = Iesl., “0” = Iszl.	1 0
⏻	Gaisma uz grīdas (skatīt „IZVĒLES IESPĒJAS UN FUNKCIJAS”) “1” = Iesl., “0” = Iszl.	1 0
⏻	Skana “1” = Iesl., “0” = Iszl.	1 0
⏻	Rūpnīcas iestatījumi Nospiediet PALAIŠANAS/Apturēšanas , lai atjaunotu visas iestatījumu, kas ir iekļauti iestatījumu izvēlnē, vērtības uz rūpnīcas noklusējuma parametriem.	-

SĀLS TVERTNES UZPILDE

Sāls lietošana novērš KALĶĀKMENS veidošanos uz traukiem un ierīces funkcionālajām daļām.

Sāls tvertne atrodas trauku mazgājamās mašīnas apakšējā daļā (zem apakšējā plaukta kreisajā pusē).

- **SĀLS TVERTNE NEKAD NEDRĪKST** būt tukša.
- Ir svarīgi iestatīt ūdens cietību.
- Kad vadības panelī ir iedegta **SĀLS UZPILDES indikatora gaismīņa** (S), ir jāuzpilda sāls.



1. Izņemiet zemāko statīvu un atskrūvējiet tvertnes vāciņu (pretēji pulksteņa rādītāja virzienam).
2. Novietojiet piltuvi (skatiet attēlu) un piepildiet sāls tvertni līdz augšai (aptuveni 0,5 kg); no tā nevajadzētu iztecēt ūdenim.
3. **Tikai pirmajā reizē rikojieties šādi: sāls tvertni uzpildiet ar ūdeni.**

4. Izņemiet piltuvi un noslaukiet uz atveres palikušo sāli. Pārlicinieties, ka vāciņš ir stingri pieskrūvēts, lai mazgāšanas programmas laikā tvertnē neiekļūtu mazgāšanas līdzeklis (tas var sabojāt ūdens mikstinātāju). **Lai novērsu koroziju, katru reizi pēc sāls tvertnes uzpildīšanas palaidiet programmu pēc iespējas ātrāk.**

Ūdens cietības iestatīšana

Lai ļautu ūdens mikstinātājam darboties kā paredzēts, ir svarīgi norādīt tādu ūdens cietību, kāda ir ūdenim jūsu mājās. Ādu informāciju varat uzziņāt pie vietējā ūdens piegādātāja. Vidējai ūdens cietībai rūpnīcas iestatījumos norādīta vērtība “3”. Skatiet „ŪDENS CIETĪBAS TABULA”.

Ūdens cietības tabula

Līmenis	°dH Vācu grādi	°fH Franču grādi	°Clark Angļu grādi
1 (soft)	0 - 6	0 - 10	0 - 7
2 (medium)	7 - 11	11 - 20	8 - 14
3 (average)	12 - 16	21 - 29	15 - 20
4 (hard)	17 - 34	30 - 60	21 - 42
5 (very hard)	35 - 50	61 - 90	43 - 62

Lai mainītu, ievērojiet norādījumus sadaļā “IESTATĪJUMU IZVĒLNE”.

Izmantojiet tikai tādu sāli, kas paredzēta lietošanai trauku mazgājamās mašīnās.

Pēc tam, kad mašīnā iebērtā sāls, **SĀLS UZPILDES** indikatora gaismīņa izslēdzas.

Neuzpildot sāls tvertni, var tikt bojāts ūdens mikstinātājs un sildelements, kā rezultātā uzkrāsies kaļķakmens nogulsnes.

Sāli ieteicams lietot kopā ar visu veidu trauku mazgāšanas līdzekļiem.

ŪDENS MIKSTINĀŠANAS SISTĒMA

Ūdens mikstinātājs automātiski samazina ūdens cietības līmeni, nepieļaujot kaļķakmens nogulšņu uzkrāšanos uz sildītāja un nodrošinot labāku tīrīšanas efektivitāti.

Šī sistēma tiek automātiski reģenerēta ar sāli, tādēļ ir nepieciešams papildināt sāls tvertni, ja tā ir tukša.

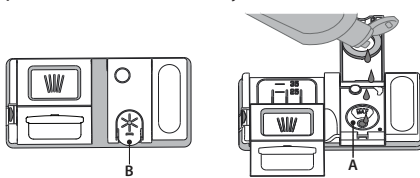
Reģenerācijas biežums ir atkarīgs no ūdens cietības līmeņa iestatījuma – reģenerācija notiek vienu reizi katrā 4-6 Eco ciklā, ja ūdens cietības līmenis ir iestatīts uz 3.

Reģenerācijas process norisinās cikla sākumā ar papildu svaigu ūdeni.

- Viena reģenerācijas cikla laikā tiek patērēts: aptuveni 3 l ūdens,
- Katra cikla izpildes laiks tiek pagarināts līdz 5 minūtēm;
- Tiek patērēts mazāk par 0,005 kWh enerģijas.

UZPILDIET SKALOŠANAS LĪDZEKĻA DOZATORU

Skalošanas līdzeklis ļauj vieglāk NOŽĀVĒT traukus. Kad vadības panelī ir iedegta **SKALOŠANAS LĪDZEKĻA UZPILDES indikatora gaismīņa** (S), jāuzpilda skalošanas līdzekļa dozators A.



1. Atveriet dozatoru **B**, nospiežot un paceļot vāku cilni.
2. Rūpīgi ielejiet skalošanas līdzekli līdz maksimālajai uzpildes vietas atzīmei (110 ml), neizšķakstiet neizlejiet to. Ja tā noticis, nekavējoties noslaukiet to ar sausu drānu.

3. Uzspiediet uz vāciņa, līdz dzirdat aizvēršanas klikšķi.

NEKAD neļiejiet skalošanas līdzekli tieši cilindrā.

Skalošanas līdzekļa devas pielāgošana

Ja jūs neapmierina žāvēšanas rezultāti, varat pielāgot izmantojamā skalošanas līdzekļa daudzumu.

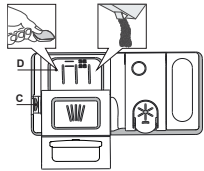
Lai mainītu, ievērojiet norādījumus sadaļā “IESTATĪJUMU IZVĒLNE”.

Ja skalošanas līdzekļa līmenis ir iestatīts uz ZERO, nav nepieciešams skalošanas līdzeklis. Ja skalošanas līdzeklis būs beidzies, **zema skalošanas līdzekļa līmeņa indikators** neieidēgsies.

Atkarībā no trauku mazgājamās mašīnas modeļa, iespējams iestatīt ne vairāk kā 6 līmeņus.

- Ja uz traukiem redzamas zilgas svītras, iestatiet mazāku vērtību (0-3).
- Ja uz traukiem redzami ūdens pilieni vai kaļķakmens nogulsnes, iestatiet augstāku vērtību (4-5).

MAZGĀŠANAS LĪDZEKĻA DOZATORA UZPILDE



Lai atvērtu mazgāšanas līdzekļa dozatoru, izmantotiet atvēršanas instrumentu C. Ielejiet mazgāšanas līdzekli tikai sausajā dozatorā D. Priekšmazgāšanai nepieciešamo mazgāšanas līdzekļa daudzumu ievietojiet tieši cilindrā.

1. Nosakot mazgāšanas līdzekļa daudzumu, skatiet iepriekš minēto informāciju, lai pievienotu pareizu daudzumu līdzekļa. Dozatorā D ir norādes, lai pareizi dozētu mazgāšanas līdzekli.

2. Pirms vāka aizvēršanas (līdz dzirdams klikšķis) notīriet mazgāšanas līdzekļa atlikumus no dozatora.
3. Aizveriet mazgāšanas līdzekļa dozatoru, ceļot to uz augšu, līdz slēdzene ir vietā.

Mazgāšanas līdzekļa dozators atveras automātiski, kad pienācis attiecīgais brīdis programmā.

Ja izmantosit mazgāšanas līdzekli, kas nav paredzēts trauku mazgājamām mašīnām, var rasties ierīces darbības traucējumi vai bojājumi.

IKDIENAS LIETOŠANA

1. PĀRBAUDIET ŪDENS SAVIENOJUMU

Pārbaudiet, vai trauku mazgājamā mašīna ir pieslēgta ūdens padevei un vai krāns ir atvērts.

2. IESLĒDZIET TRAUKU MAZGĀJAMO MAŠĪNU

Atveriet durvis un nospiediet **IESLĒGŠANAS/IZSLĒGŠANAS** pogu.

3. PIEPILDIET STATĪVUS (skatiet STATĪVU PIEPILDĪŠANA).

4. MAZGĀŠANAS LĪDZEKĻA DOZATORA UZPILDE

5. ATLASIET PROGRAMMU UN PIELĀGOJIET CIKLU

Atlasiet piemērotāko programmu, ņemot vērā trauku veidu un to netīrumu līmeni, (skatīt PROGRAMMU APRĀKSTU) nospiežot atlasītās **IEPRIEKŠĒJĀS/NĀKAMĀS** pogu.

Atlasiet vēlamās iespējas (skatiet sadaļu IESPĒJAS UN FUNKCIJAS). Ne visas izvēles iespējas ir saderīgas ar visām programmām.

6. PALAIŠANA

Palaidiet mazgāšanas ciklu, nospiežot **PALAIŠANAS/Apturēšanas** pogu (LED iedegas) un aizverot durvis 4 sekunžu laikā. Kad programma sāk darboties, jūs izdzirdēsiet vienu īsu skaņas signālu. Ja durvis netiek aizvērtas 4 sekunžu laikā, atskanēs brīdinājuma signāls. Šādā gadījumā atveriet ierīces durvis, vēlreiz nospiediet pogu **PALAIŠANAS/Apturēšanas** un 4 sekunžu laikā aizveriet ierīces durvis.

7. MAZGĀŠANAS CIKLA BEIGAS

Mazgāšanas cikla beigās tiek atskaņots skaņas signāls, bet displejā parādās rādījums **END** (PABEIGTS). Atveriet durvis un izslēdziet ierīci, nospiežot **IESLĒGŠANAS/IZSLĒGŠANAS** pogu.

Lai izvairītos no apdedzinājumiem, pagaidiet pāris minūtes un tikai tad izņemiet traukus. Izņemiet traukus no statīviem, sākot ar apakšējo.

AKTĪVAS PROGRAMMAS MODIFICĒŠANA

Ja ir tikusi atlasīta nepareizā programma, ir iespējams to mainīt ar nosacījumu, ka tā ir tikko sākusies. Ierīces **ATIESTATĪŠANA**: nospiediet un turiet **IESLĒGŠANAS/IZSLĒGŠANAS** pogu ilgāk nekā 3 sekundes, un ierīce izslēgsies. **Informācijas panelis uzrādīs "0:01"**. Aizveriet durvis un gaidiet, līdz beidzas ūdens novadīšanas cikls (apm. 1 minūti). Atveriet durvis un atkal ieslēdziet ierīci, nospiežot **IESLĒGŠANAS/IZSLĒGŠANAS** pogu un atlasiet jauno mazgāšanas ciklu un citas vēlamās iespējas. Palaidiet ciklu, nospiežot pogu **PALAIŠANAS/Apturēšanas**, un aizveriet ierīces durvis 4 sekunžu laikā.

PAPILDU TRAUKU PIEVIENOŠANA

Neizslēdzot ierīci, vispirms nedaudz atveriet ierīces durvis, lai novērstu ūdens izsūkšanos (**PALAIŠANAS/Apturēšanas** LED gaisma sāk mirgot) (**Uzmanību! Karsts tvaiks!**) un ievietojiet traukus trauku mazgājamā mašīnā. Nospiediet pogu **PALAIŠANAS/Apturēšanas** un 4 sekunžu laikā aizveriet ierīces durvis, programma atsāks darbību no vietas, kur tā tika pārtraukta.

NEJAUŠI TRAUČĒJUMI

Ja mazgāšanas cikla laikā tiek atvērtas durvis vai notiek elektropadeves pārrāvums, cikls pārtrauc darboties. **TIKAI TAD JA NOSPIEDISIET** pogu **PALAIŠANAS/Apturēšanas** un 4 sekunžu laikā aizvērsiet ierīces durvis, cikls atsāks darbību no vietas, kur tā tika pārtraukta.

PADOMI UN IETEIKUMI

PADOMI

Pirms grozu piepildīšanas notīriet no traukiem ēdienu atlikumus un izlejiet šķidrumus no glāzēm. **Nav nepieciešams vispirms izskalot zem tekoša ūdens.**

Novietojiet traukus tā, lai tie stingri turētos vietā un nepārkļautos; pārtikas konteinerus novietojiet ar atverēm uz leju un ieliekumiem/ izliekumiem vērstiem uz sānu, lai tādējādi ļautu ūdenim piekļūt ikvienai vietai un brīvi plūst.

Brīdinājums: vāki, rokturi, tvertnes un pannas netraucē smidzināšanas svīrai griezties.

Mazākos priekšmetus ievietojiet galda piederumu grozā.

Ļoti netīri trauki un pannas jāievieto apakšējā grozā, jo tā ir vieta, kur ūdens strūkļas ir spēcīgākas un tādējādi nodrošina vēl labāku mazgāšanu. Pēc ierīces piepildīšanas pārlicinieties, ka ierīces smidzināšanas svīras var brīvi griezties.

NEPIEMĒROTI TRAUKI

- Koka trauki un piederumi.
- Trauslas un dekorētas glāzes, mākslinieciski amatnieku darinājumi un antikī trauki. Rotājumi nav izturīgi.
- Sintētisko materiālu daļas, kas nevar izturēt augstu temperatūru.
- Vara un alvas trauki.
- Trauki, kas nosmērēti ar pelniem, vasku, eļļu vai tinti.

Mazgāšanas laikā glāžu rotājumu un alumīnija/sudraba priekšmetu krāsa var mainīties. Dažādi stikla priekšmeti (piemēram, kristāla trauki) pēc vairākām mazgāšanas reizēm var kļūt nespodri.

GLĀŽU UN TRAUKU BOJĀJUMI

- Lietojiet tikai tādas glāzes un porcelāna traukus, kurus saskaņā ar ražotāja norādēm atļauts mazgāt trauku mazgājamā mašīnā.
- Lietojiet traukiem piemērotu delikātu mazgāšanas līdzekli
- Tiklīdz mazgāšanas cikls ir beidzies, izņemiet glāzes uz galda piederumus no trauku mazgājamās mašīnas.

ENERĢIJAS TAUPĪŠANAS PADOMI

- Ja sadzīves trauku mazgājamo mašīnu lieto atbilstoši ražotāja norādījumiem, **virtuves trauku mazgāšanas laikā parasti tiek patērēts MAZĀK ENERĢIJAS un ūdens, nekā mazgājot traukus ar rokām.**
- Lai maksimāli palielinātu trauku mazgājamās mašīnas efektivitāti, ieteicams ieslēgt mazgāšanas ciklu tikai tad, **kad trauku mazgājamās mašīna ir pilnībā noslogota.** Trauku mazgājamās mašīnas noslodze, vadoties pēc ražotāja ieteikumiem, palīdzēs mazināt enerģijas un ūdens patēriņu. Informāciju par pareizu virtuves trauku ievietošanu skatiet nodaļā PLAUKTU PIEPILDĪŠANA. Ja trauku mazgājamā mašīna netiek pilnībā noslogota, ieteicams izmantot paredzētās mazgāšanas iespējas (ja pieejamas) (Half load (Puse ielādes)/Zone Wash (Zonas mazgāšana)/Multizone (Vairākas zonas)), piepildot tikai izvēlētos plauktus. Nepareiza trauku mazgāšanas mašīnas piepildīšana palielinās resursu patēriņu (piemēram, ūdeni, enerģiju un laiku, kā arī tiks palielināts trokšņa līmenis), samazinot tīrīšanas un žāvēšanas veiktspēju.
- Manuāla virtuves piederumu un trauku priekšskalošana izraisīs ūdens un enerģijas patēriņa pieaugumu, un tas nav ieteicams.

HIGIĒNA

Lai ierīces iekšpusē neuzkrātos nepatīkamas smakas un nogulsnes, **vismaz reizi mēnesī ieteicams izpildīt programmu ar augstu temperatūru.** Lai iztīrītu ierīci, izmantojiet vienu tējkaroti mazgāšanas līdzekļa un darbiniet ierīci bez tajā ievietotiem traukiem.

SALIZTURĪBA

Ja ierīce atrodas vietā, kur iespējama sasaldēšana, **tā pilnībā jāiztukšo.** Aizgrieziet ūdens krānu, ņemiet iepļūdes un izplūdes šļūtenes un izlaidiet visu ūdeni. **Nodrošiniet, lai ūdens mikstinātājā atrastos izšķīdināta reģenerācijas sāls,** kas pasargā ierīci temperatūrā līdz -20°C . Ja ierīce atradās sala apstākļos, ierīcei ir jāatrodas apkārtējās vides temperatūrā pie vismaz 5°C **vismaz 24 stundas** pirms pirmās iedarbināšanas.

PROGRAMMU TABULA

Programma	Programmu apraksts	Žāvēšanas posms	NaturalDry	Pieejamās izvēlnes *)	Mazgāšanas programmas darbības laiks (h:min)**)	Ūdens patēriņš (litri/cikli)	Enerģijas patēriņš (kWh/cikli)
P1 Eco	Eko 50° - Eko programma ir piemērota, lai notīrītu vidēji netirus virtuves traukus, un tā ir efektīvākā šāda veida mazgāšanas programma, jo mazina enerģijas un ūdens patēriņu atbilstoši ES ekodizaina normatīviem.	✓	✓		4:00	9,5	0,64
P2	Automātisks Intensīvs 65° - Automātiskā programma ieteicama ļoti netīriem traukiem un pannām.	✓	✓		2:25-3:10	15,5-24,5	1,30-1,70
P3	Automātisks Jauktā 55° - automātiska programma vidēji netīriem traukiem ar piekaltušām ēdiena paliekām.						
P4	Automātisks Ātri 50° - automātiska programma vidēji un nedaudz netīriem traukiem ar piekaltušām ēdiena paliekām. Ikdienu cikls, kas nodrošina optimālu mazgāšanas un žāvēšanas veiktspēju īsākā laikā.						
P5	Ātrais 45° - programma tiek ieteikta ierobežotam daudzumam nedaudz netīru trauku bez piekaltušām ēdiena paliekām. Nav iekļauta žāvēšanas fāze.	-	✓		0:30-0:40	10-12	0,55-0,65
P6	Kristāli 45° - Programma traušu, pret augstu temperatūru jutīgāku trauku, piemēram, glāžu un krūžu, mazgāšanai.	✓	✓		1:40-1:50	12,5-16,5	0,95-1,20
P7	Kluss 55° - Paredzēts ierīces darbināšanai naktī. Nodrošina optimālu mazgāšanu un žāvēšanu ar mazāko iespējamo trokšņa līmeni.	✓	✓		3:50-4:10	10,5-14,5	0,80-1,15
P8	Dezinficēšana 65° - Vidēji vai ļoti netīriem traukiem ar papildu antibakteriālo mazgāšanu. Var izmantot trauku mazgājamās mašīnas apkopei.	✓	-		1:55-2:10	12-19	1,40-1,80
P9	Priekšmazgāšana - Virtuves trauku vēlākai mazgāšanai. Šajā programmā nav paredzēts izmantot mazgāšanas līdzekli.	-	✓		0:12	4,5	0,10
P10	Paštīrīšanās 65° - Programma, kas jāizmanto trauku mazgājamās mašīnas tehniskās apkopes veikšanai, ir jāizpilda tikai tad, kad trauku mazgājamā mašīna ir TUKŠA, un šai darbībai ir jāizmanto īpaši, trauku mazgājamās mašīnas apkopei paredzēti tīrīšanas līdzekļi	-	-		1:15	11,0	1,10

EKO programmas dati noteikti laboratoriskos apstākļos saskaņā ar Eiropas standartu EN 60436:2020.

Piezīme testa laboratorijām: informāciju par salīdzinošiem EN testēšanas apstākļiem, lūdzu, sūtiet e-pastu uz šo adresi: dw_test_support@whirlpool.com

Trauku priekšmazgāšana nav nepieciešama nevienā programmā.

*) Ne visas iespējas var izmantot vienlaicīgi.

***) Vērtības, kas norādītas citām programmām, nevis Eko ir tikai informatīvas. Reālais laiks var mainīties, ņemot vērā tādas faktorus kā pievadītā ūdens temperatūra un spiediens, istabas temperatūra, mazgāšanas līdzekļa daudzums, trauku daudzums un veids, trauku izkārtojums, papildu izvēlnes un sensoru kalibrēšana. Sensoru kalibrēšana var palielināt programmu darbības laiku par 20minūtēm.

IZVĒLNES UN FUNKCIJAS

IZVĒLES iespējas var tikt atlasītas/nodzēstas pēc programmas izvēles, tieši nospiežot attiecīgo pogu (ja tāds ir pieejams – indikators izgaismojas) (skatīt KONTROLES PANELIS). Ja izvēlni nav iespējams savietot ar atlasīto programmu (skatiet PROGRAMMU TABULU), attiecīgā LED lampiņa mirgos trīs sekundes un tiks atskaņots skaņas signāls. Izvēlne nebūs iespējota. Ar izvēles iespēju ir iespējams izmainīt programmas laiku vai ūdens vai enerģijas patēriņu.

POWER CLEAN® - Pateicoties spēcīgām papildu strūklām, šī izvēlne nodrošina intensīvāku un spēcīgāku mazgāšanu apakšējā stativā (konkrētā zonā). Šī izvēlne ieteicama katlu un kastroļu mazgāšanai (Lūdzu skatīt Power Clean® ielādes nodaļu).

1/3 PUSIELĀDE - ja nav pietiekoši daudz mazgāšanai paredzēto trauku, PUSIELĀD tiek izmantots, lai taupītu ūdeni, elektrību vai laiku, tkarībā no atlasītās programmas.

Neaizmirstiet samazināt mazgāšanas līdzekļa daudzumu.

5+ ĻOTI SAUSS - Lai uzlabotu žāvēšanu, pēdējās skalošanas laikā tiek palielināta temperatūra, un žāvēšanas fāze tiek pagarināta. ĻOTI SAUSS izvēlne pagarina mazgāšanas ciklu.

1h AIZKAVE – programmas palaišanu iespējams atlikt uz laiku no 30 minūtēm līdz 24 stundām.

1. Atlasiet programmu un jebkuras vēlamās iespējas. Lai atliktu programmas palaišanu, nospiediet AIZKAVES pogu (vairākkārt). Iespējams noregulēt no 30 minūtēm līdz 24 stundām. Kad ir sasniegts 24 stundu iestatījums, nospiediet AIZKAVE vēlreiz, lai deaktivizētu AIZKAVES funkciju.

2. Nospiediet pogu PALAIŠANA/Apturēšana un 4 sekunžu laikā aizveriet ierīces durvis.

3. Tiklīdz laiks būs beidzies, indikators izdzisis, un programma sāks automātiski darboties.

AIZKAVES funkciju nav iespējams aktivizēt, ja programma jau ir palaista.

NOTEIKŠANA – Kad sensors nosaka netīrības līmeni, displejā tiek parādīta animācija (apm.20 min.) un tiek atjaunināts cikla ilgums. Noteikšana ir paredzēta trauku netīrības līmeņa noteikšanai un tā pastāv visos ciklos (izņemot Eco), atbilstoši pielāgojot programmu.

AIZVĒRTS ŪDENS KRĀNS— **trauksme** - Mirgo, ja nav iepildes ūdens vai ūdens krāns ir aizvērts.

GAISMA UZ GRĪDAS - Gaismas diožu gaisma tiek projicēta uz grīdas, lai parādītu, ka trauku mazgājamā mašīna darbojas. Apgaismojums izdzies cikla beigās. Šī funkcija ir aktivizēta pēc noklusējuma, taču to ir iespējams deaktivizēt "SETTINGS MENU" (Iestatījumu izvēlne).

NaturalDry - ir konvekcijas žāvēšanas sistēma, kas automātiski atver ierīces durvis žāvēšanas laikā/pēc tās, nodrošinot labāko žāvēšanu ik dienu. Ierīces durvis atveras pie temperatūras, kas neietekmē jūsu virtuves mēbeles, tāpēc durvis netiks atvērtas.

Kā papildus tvaika aizsardzība, kopā ar trauku mazgājamo mašīnu tiek piegādāta speciāli izgatavota aizsargfolija.

Lai noskaidrotu, kā uzstādīt aizsargfoliju, lūdzu, skatiet UZSTĀDĪŠANAS PAMĀCĪBU. Šī funkcija ir aktīva pēc noklusējuma, bet to iespējams deaktivizēt "IESTĀTĪJUMU IZVĒLNĒ".

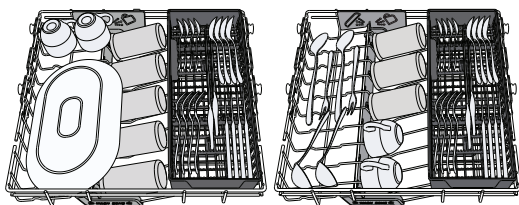
ATKAĻĶOŠANAS - Trauksme – Tika konstatēta kaļķakmens uzkrāšanās uz ierīces iekšējiem komponentiem. Pārbaudiet, vai **Ūdens cietības iestatījums** atrodas pie pareizās vērtības un sāls tvertnē ir **sāls** (skatīt PIRMĀ LIETOŠANAS REIZE), **pēc tam izmantojiet atkaļķošanas izstrādājumu** (tiek ieteikti WPro zimola izstrādājumi) ar **PAŠTĪRĪŠANAS programmu**. Pēc tam, kad atkaļķošana ir bijusi sekmīga, ikona vairs netiks uzrādīta displejā.

Ja augstāk minētās darbības netiks veiktas, izstrādājuma veiktspēja samazināsies. ATKAĻĶOŠANA brīdinājums sāks mirgot un **«DES»** trauksmes simbols parādīsies displejā. Ja vēl joprojām nav veiktas attiecīgās darbības, ierīce ļaus veikt tikai noteiktu daudzumu mazgāšanas ciklu (norādītas **«DES»** trauksmes displejā) un tad tiks **BLOKĒTA**, lai novērstu komponentu bojājumus; ierīce būs **pieejama tikai ar PAŠTĪRĪŠANAS programmu**. Pēc pilnīgas atkaļķošanas ierīce tiks atbloķēta. Gadījumos, kad kaļķakmens daudzums ir ārkārtīgi liels, efektivitātes nolūkos atkaļķošanu var nākties veikt divreiz.

IECIENĪTĀKĀ PROGRAMMA - iecienītāko programmu ir iespējams sglabāt, un tā būs viegli pieejama. Atradiet programmu ar IEPRIEKŠĒJAS /NĀKĀMĀS, tad nospiediet iecienītākās programmas pogu 3 sekundes.

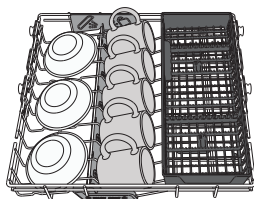
AUGSTĀKAIS PLAUKTS

Augstākais plaukts ir mērķa tīrīšanas mazgājamā zona bļodīnām, krūzēm, pat lieliem šķīvjiem un galda piederumiem, kurus parasti novietojam zemākos plauktos, radot papildu vietu traukiem, kas sakrājas dienas gaitā.



Izkārtojot galda piederumus atsevišķi, pēc mazgāšanas tos būs vieglāk savākt, kā arī tie tiks labāk nomazgāti.

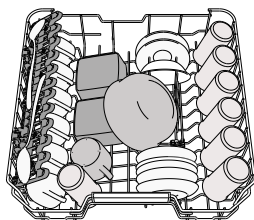
Nažus un citus priekšmetus ar asām malām jānovieto tā, lai asmeņi būtu vērsti uz leju.



AUGŠĒJAIS STATĪVS

Ievietojiet trauslus un vieglus traukus: glāzes, krūzes, apakštases, seklas salātu bļodas. Apakšējais statīvs aprīkots ar īpašiem balstiem, ko iespējams izmantot vertikālā pozīcijā, ja tajā tiek ievietotas tējas vai deserta tasītes, vai pazeminātā pozīcijā, lai ievietotu katlus un pārtikas konteinerus.

(piemērs augšējā statīva piepildīšanai)



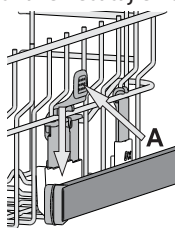
Augšējā statīva augstuma pielāgošana

Augšējā statīva augstumu iespējams pielāgot: augstākā pozīcijā, lai apakšējā grozā ievietotu lielākus traukus, un zemākā pozīcijā, lai optimāli izmantotu īpašos atbalstu, nodrošinātu vairāk vietas augšējā daļā un neļautu augšējā statīvā ievietotajiem traukiem sadurties ar apakšējā statīva ievietotajiem. Augšējais statīvs aprīkots ar **Augšējā statīva augstuma regulatoru** (skatiet attēlu); paceliet to, nespiežot uz svirām, bet vienkārši turot statīva malas, līdz statīvs ir stabili novietots augšējā pozīcijā.

Lai atgrieztu statīvu zemākajā pozīcijā, nospiediet statīva malas esošās sviras **A** un bīdīet grozu uz leju.

Ir stingri ieteicams nepielāgot statīvu augstumu, kad tajos ir ievietoti trauki.

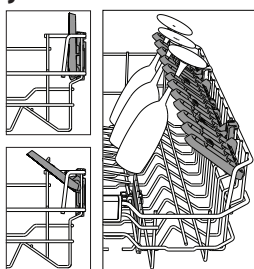
NEKAD nepaceliet vai nenolaidiet grozu tikai vienā pusē.



Atlokāmie plaukti ar pielāgojamu novietojumu

Sānu pielāgojamus atlokus var pielocīt vai atlocīt, lai optimizētu pārtikas produktu izvietošanu statīvā. Vina glāzes var droši ievietot atlokāmajos plauktos, glāžu kājiņas ievietojot attiecīgajās atverēs. Atkarībā no modeļa:

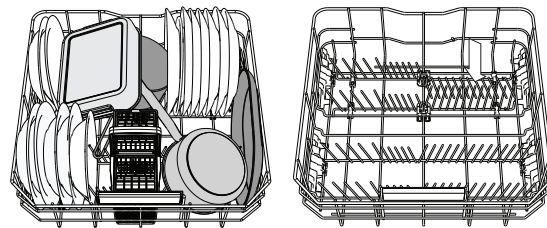
- lai atlocītu malas, nepieciešams tās pavirzīt augšup un pagriezt vai atbrīvot no stiprinājumiem un pavilkt augšup.
- lai salocītu malas, nepieciešams tās pagriezt un pavirzīt lejup vai pavilkt tās augšup un ievietot stiprinājumos.



APAKŠĒJAIS STATĪVS

Katliem, vākiem, šķīvjiem, salātu bļodām, galda piederumiem utt. Lieli šķīvji un vāki jānovieto sānos, lai tie netraucētu smidzināšanas svirai.

Apakšējais statīvs aprīkots ar īpašiem balstiem, ko iespējams izmantot vertikālā pozīcijā, ja šķīvji tiek ievietoti horizontāli (apakšā), tādējādi ļaujot vienkārši ievietot arī pannas un salātu bļodas.



(piemērs apakšējā statīva piepildīšanai)

POWER CLEAN®

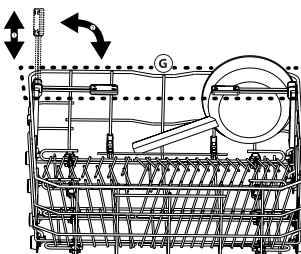
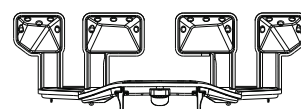
Power Clean® funkcija izmanto īpašas ūdens strūkļas iedobuma aizmugurē, lai intensīvāk mazgātu ļoti netirus priekšmetus.

Apakšējais statīvs ir aprīkots ar īpašu paplašinājumu — tas ir uz āru izvelkams balsts statīva aizmugurē, ko iespējams izmantot, lai atbalstītu pannas vai cepspannas, kad tās novietotas stāvus, tādējādi aizņemot mazāk vietas.

Ievietojot katlus un kastroļus un vēršot tos Power Clean® virzienā, vadības panelī aktivizējiet funkciju **POWER CLEAN®**.

Kā izmantot Power Clean® funkciju:

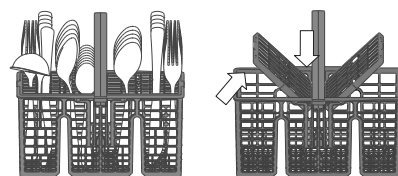
1. Pielāgojiet Power Clean® funkcijas zonu (**G**), nolieciet uz leju aizmugures plāksnes turētājus, lai ievietotu katlus.
2. Vertikāli saskvērtus katlus un kastroļus ievietojiet Power Clean® funkcijas zonā. Katli ir jāsavērš spēcīgo ūdens strūkļu virzienā.



PIEDERUMU GROZS

Groza augšpusē iestrādāts režģis, lai tādējādi ļautu vienkāršāk izkārtot galda piederumus. Piederumu grozu atļauts novietot tikai apakšējā statīva priekšpusē.

Naži un citi asi priekšmeti jāievieto galda piederumu grozā ar spicajiem galiem vērstiem uz leju vai jānovieto horizontāli augšējā statīva nodalījumos ar spicajiem galiem vērstiem uz augšu.



TĪRĪŠANA UN APKOPE

FILTRU KOMPLEKTA TĪRĪŠANA

Regulāri iztīriet filtrus, lai tie neaizsērētu un notekūdens aizplūstu pareizi. Ja izmantosit trauku mazgājamo mašīnu, kad ir aizsērējuši filtri vai filtrēšanas sistēmā vai izsmidzinātājos ir iekļuvusi svešķermeņi, var rasties ierīces darbības traucējumi, kas mazinās veiktspēju, palielinās trokšņa līmeni un resursu patēriņu.

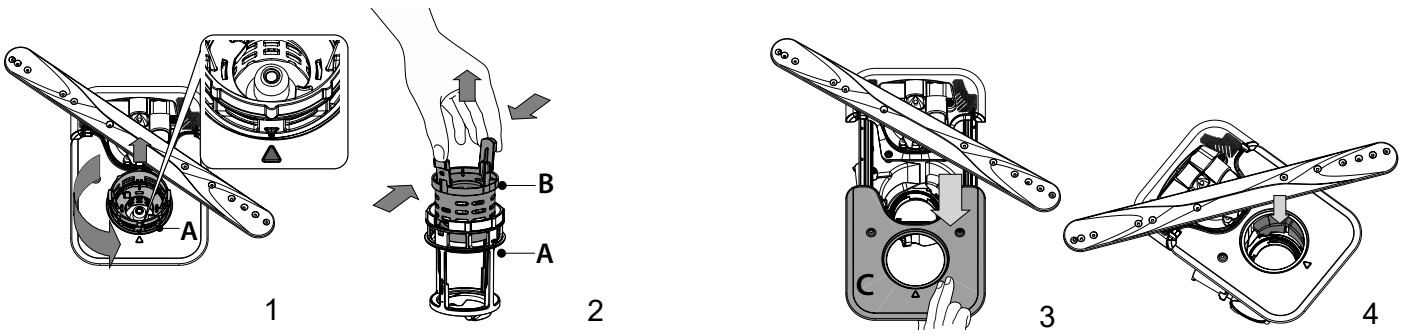
Filtru komplekts sastāv no trim filtriem, kas savāc mazgāšanas ūdenī esošās ēdienu paliekas un veic ūdens cirkulāciju.

Trauku mazgājamo mašīnu nevar izmantot bez filtriem, kā arī tad, ja filtri ir vaļīgi.

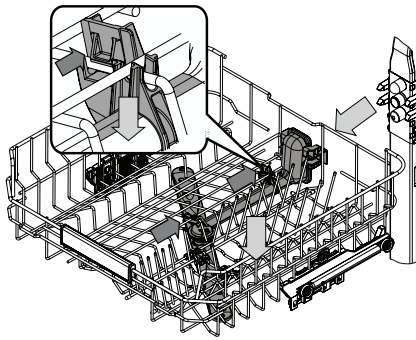
Vismaz reizi mēnesī vai ik pēc 30 cikliem pārbaudiet filtra mezglu un, ja nepieciešams, iztīriet to ar suku (nemetāla) zem tekoša ūdens un ievērojiet zemāk minētos norādījumus:

1. Pagrieziet cilindrisko filtru **A** pretēji pulksteņa rādītāja virzienam un izvelciet to (1. attēls). **Atkal uzstādot filtru, ir svarīgi, lai abi tuvinātajā attēlā redzami trīsstūri atrastos viens otram pretī.**
2. Noņemiet kausveida filtru **B**, uzspiežot uz tā sānu atlokliem (2. attēls).
3. Izņemiet plakano nerūsējoša tērauda filtru **C** (3. attēls).
4. Ja tiek konstatēti svešķermeņi (piemēram, saplusuša stikla, porcelāna gabali, kauli, augļu sēklas u.c.), **uzmanīgi izņemiet tos.**
5. Pārbaudiet sietu un iztīriet ēdienu atliekas. **NEKAD NENOŅEMĪET** mazgāšanas cikla sūkņa drošības elementu (norādīts ar bultiņu) (4. attēls).

Pēc filtru iztīrīšanas novietojiet tos atpakaļ vietā un rūpīgi nostipriniet; tas ir svarīgi, lai saglabātu trauku mazgājamo mašīnas darbības efektivitāti.

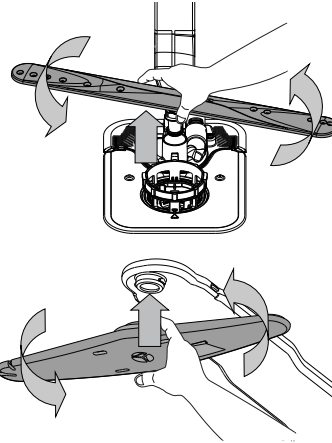


SMIDZINĀŠANAS SVIRU TĪRĪŠANA



Dažkārt ēdiena paliekas var piekalst smidzināšanas svirām un bloķēt atveres, pa kurām tiek smidzināts ūdens. Tādēļ ir ieteicams laiku pa laikam notīrīt sviras ar nelielu birstīti (ne metāla).

Lai noņemtu augšējo smidzinātāju, tas ir jānoņem kopā ar savācēju.



Apakšējo smidzināšanas sviru iespējams noņemt, pavelkot to uz augšu un rotējot to pretēji pulksteņrādītāja virzienam. Smidzināšanas sviru iespējams uzlikt atpakaļ, pavelkot to uz leju un rotējot to pulksteņrādītāja virzienā.

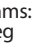
Augšējo smidzināšanas sviru iespējams noņemt, piespiežot to uz augšu un rotējot to pretēji pulksteņrādītāja virzienam. Smidzināšanas sviru iespējams uzlikt atpakaļ, pavelkot to uz augšu un rotējot to pulksteņrādītāja virzienā.

Augstākais plaukts ir nofiksētas mazgāšanas caurule, ar visām mazgāšanas sprauslām pavērstām augšup. Lai to notīrītu, jūs varat izvilkēt arī plauktu un ar pinceti notīrīt daļiņas, kas var būt nosēdušās sprauslās.

PROBLĒMU RISINĀŠANA

Ja trauku mazgājamā mašīna nedarbojas pareizi, pārbaudiet, vai problēmu nav iespējams novērst patstāvīgi, skatot tabulu zemāk. Citu kļūdu gadījumā, lūdzu, sazinieties ar pēcpārdošanas dienestu, kura saziņas dati ir norādīti garantijas bukletā. Rezerves daļas būs pieejamas līdz 7 vai līdz 10 gadiem atbilstoši konkrētajā regulējumā noteiktajām prasībām.

PROBLĒMAS	IESPĒJAMIE CĒĻŅI	RISINĀJUMI
Deg sāls indikators	Sāls tvertne ir gandrīz tukša.	Iepildiet tvertnē sāli (papildinformāciju skatiet SĀLS TVERTNES UZPILDE). Pārbaudiet ūdens cietības iestatījumus, ja tas ir nepieciešams – skatiet ŪDENS CIETĪBAS TABULA .
Mirgo sāls indikators	Tukša sāls tvertne.	Pēc iespējas ātrāk iepildiet tvertnē sāl. Ierīces lietošana bez sāls var radīt tās iekšējo komponentu bojājumus.
Deg vai mirgo skalošanas līdzekļa indikators	Tukšs skalošanas līdzekļa dozators. (Pēc skalošanas līdzekļa uzpildes līmeņa indikators var palikt izgaismots uz kādu brīdi).	Iepildiet dozatorā skalošanas līdzekli (papildinformāciju skatiet UZPILDIET SKALOŠANAS LĪDZKĻĀ DOZATORU).
Deg vai mirgo atkalķošanas indikators Tiek uzrādīts "dES" trauksmes signāls.	Tika konstatēta kaļķakmens uzkrāšanās uz ierīces iekšējiem komponentiem.	Nekavējoties veiciet ierīces atkalķošanu ar PĀSTĪRĪŠANAS programmu un tirdzniecībā pieejamo atkalķošanas līdzekli (skatīt IZVĒLNES UN FUNKCIJAS). Iepildiet tvertnē sāli. Pārbaudiet ūdens cietības iestatījumus. Ja ierīce netiek atkalķota, tā pārtrauks darboties.
Trauku mazgājamā mašīna nedarbojas vai nereaģē uz komandām.	Ierīce nav pareizi pieslēgta elektropadevei.	Ievietojiet kontaktdakšu rozetē.
	Elektropadeves pārrāvums.	Drošības apsvērumu dēļ trauku mazgājamā mašīna netiks pārstartēta, atjaunojot energoapgādi. Atveriet trauku mazgājamās mašīnas durvis, nospiediet pogu PALAIŠANAS/Apturēšana un 4 sekunžu laikā aizveriet ierīces durvis.
	Trauku mazgājamās mašīnas durvis nav aizvērtas. NaturalDry tapa nav ievilkta.	Enerģiski spiediet durvis, līdz ir dzirdams „klikšķis”.
	Ciklu ir pārtraukusi divju atvēršana ilgāk nekā 4 sekundes.	Nospiediet pogu PALAIŠANAS/Apturēšana pogu un 4 sekunžu laikā aizveriet ierīces durvis.
No trauku mazgājamās mašīnas neizplūst ūdens. Displejā redzams: F7 E3 vai F9 E1	Ēdiena atliekas un kaļķakmens ir nosprostojusi filtru.	Notīriet filtru un atkalķojiet ierīci (skatīt FILTRU KOMPLEKTA TĪRĪŠANA un ATKAĻĶOŠANU).
	Notekcaurule ir saliekusies.	Pārbauiet notekcauruli (skatīt UZSTĀDĪŠANAS INSTRUKCIJAS).
	Izlietnes novadcaurule ir nosprostota.	Iztīriet izlietnes novadcauruli.
Trauku mazgājamā mašīna rada skaļu troksni.	Trauki sitas viens pret otru.	Novietojiet traukus pareizi (skatīt STATĪVU PIEPILDĪŠANA).
	Tiek novērots pārlietu liels putu daudzums.	Nav pareizi noteikts mazgāšanas līdzekļa daudzums vai tas nav piemērots lietošanai trauku mazgājamā mašīnā (skatīt MAZGĀŠANAS LĪDZKĻĀ DOZATORA UZPILDE). Atiestatiet pašreizējo ciklu, izslēdzot trauku mazgājamo mašīnu, pēc tam vēlreiz to ieslēdziet, atlasiet jaunu programmu, nospiediet pogu PALAIŠANA/Apturēšana un 4 sekunžu laikā aizveriet durvis. Nepievienojiet mazgāšanas līdzekli.
	Trauki nav izvietoti pareizi.	Novietojiet traukus pareizi (skatīt STATĪVU PIEPILDĪŠANA).
	Filtru ir aizsprotojušas ēdiena paliekas vai kaļķakmens.	Iztīriet filtru komplektu (skatīt TĪRĪŠANA UN APKOPE).

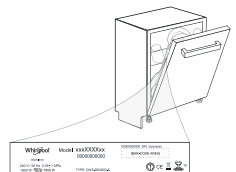
PROBLĒMAS	IESPĒJAMIE CĒĻŅI	RISINĀJUMI
Trauki nav tīri.	Trauki nav izvietoti pareizi.	Novietojiet traukus pareizi (<i>skatiet STATĪVU PIEPILDĪŠANA</i>).
	Smidzināšanas balsteņi nevar brīvi rotēt; tie aizķeras aiz šķīvjiem.	Novietojiet traukus pareizi (<i>skatiet STATĪVU PIEPILDĪŠANA</i>). Pārbaudiet, vai augšējais plaukts ir pareizi novietots un noregulējiet (paceliet) to uz augšu, ja nepieciešams.
	Mazgāšanas cikls ir pārāk maigs.	Izvēlieties atbilstošu mazgāšanas ciklu (<i>skatiet PROGRAMMU TABULU</i>).
	Tiek novērots pārlietu liels putu daudzums.	Mazgāšanas līdzekļa daudzums nav pareizi aprēķināts vai tas nav piemērots izmantošanai trauku mazgājamās mašinās (<i>skatiet MAZGĀŠANAS LĪDZEKĻA DOZATORA UZPILDE</i>).
	Skalošanas līdzekļa nodalījuma vāciņš nav ticis pareizi aizvērts.	Pārliecinieties, ka skalošanas līdzekļa dozatora vāciņš ir aizvērts.
	Filtru ir aizsprotojušas ēdiena paliekas vai kaļķakmens.	Notīriet filtru un atkalķojiet ierīci (<i>skatīt FILTRU KOMPLEKTA TĪRĪŠANA</i>).
Tukša sāls tvertne.	Uzpildiet sāls tvertni (<i>skatiet SĀLS TVERTNES UZPILDE</i>).	
Trauku mazgājamā mašīnā neieplūst ūdens. Displejā redzams: H2O un  deg akustiski skaņas signāli.	Neotiek ūdens padeve vai ūdens krāns ir aizvērts.	Pārliecinieties, vai ūdens tiek pievadīts, un ūdens krāns ir atgriezts.
	Saliekusies ūdens ieplūdes šļūtene.	Pārbaudiet ieplūdes šļūteni (<i>skatīt UZSTĀDĪŠANA</i>). Atveriet trauku mazgājamās mašīnas durvis, nospiediet pogu PALAIŠANA/Apturēšana un 4 sekunžu laikā aizveriet ierīces durvis.
	Ekrāns ūdens ieplūdes ekrānā ir aizsērējis to ir nepieciešams iztīrīt.	Pārbaudiet un notīriet ekrānu ūdens ieplūdes šļūtenē. Atveriet trauku mazgājamās mašīnas durvis, nospiediet pogu PALAIŠANA/Apturēšana un 4 sekunžu laikā aizveriet ierīces durvis.
Trauku mazgājamā mašīna priekšlaikus pabeidz mazgāšanas ciklu. Displejā redzams: F8 E3	Ēdiena atliekas un kaļķakmens ir nosprostojuši filtru.	Notīriet filtru un atkalķojiet ierīci (<i>skatīt FILTRU KOMPLEKTA TĪRĪŠANA un ATKAĻĶOŠANU</i>).
	Izplūdes šļūtene ir novietota pārāk zemu, vai ūdens ieplūst mājas notekūdeņu sistēmā.	Pārbaudiet, vai novadcaurules gals ir novietots pareizā augstumā (<i>skatiet UZSTĀDĪŠANA</i>). Pārbaudiet ūdens ieplūdi kanalizācijas sistēmā, un, ja nepieciešams, uzstādiet sifona atslogu/gaisa padeves vārstu.
	Tiek novērots pārlietu liels putu daudzums.	Mazgāšanas līdzekļa daudzums nav pareizi aprēķināts vai tas nav piemērots izmantošanai trauku mazgājamās mašinās (<i>skatiet MAZGĀŠANAS LĪDZEKĻA DOZATORA UZPILDE</i>).
	Gaiss ūdens pievades sistēmā.	Pārbaudiet, vai ūdens apgādē nav noplūžu vai citu problēmu, kas ļauj ieplūst gaisam.
Trauki nav labi nožuvuši.	Nav pievienots trauku skalošanas šķīdums vai tā doza ir pārāk nēcīga.	Pārliecinieties, ka trauku skalošanas līdzekļa dozators ir piepildīts (<i>skatīt UZPILDIET SKALOŠANAS LĪDZEKĻA DOZATORU</i>). Daudzfunkcionālo tablešu izmantošana nesniegs tik labus žāvēšanas rezultātus kā trauku skalošanas līdzekļa izmantošana.
	Trauki ir izņemti pēc automātiskās durvju atvēršanās, bet nesagaidot aktīvā mazgāšanas cikla beigās.	Pirms trauku izņemšanas pārliecinieties, ka mazgāšanas cikls ir tiešām pabeigts (<i>skatīt IKDIENAS LIETOŠANA</i>). Lai iegūtu vēl labākus žāvēšanas rezultātus, ir ieteicams atstāt traukus trauku mazgāšanas mašīnā ar atvērtām durvīm vēl papildus 15 minūtes pēc mazgāšanas cikla beigām.
	Trauki ir novietoti pārāk guļus.	Ja novērojat ūdens paliekas tasiņu, krūžu vai bļodu iekšienē, mēģiniet ievietot traukus (īpaši augšējā statīvā) vairāk sagāzot slīpi, lai ļautu lielākam ūdens daudzumam noplīgt pirms sākas īstais žāvēšanas process.
	Izvēlētajam ciklam nav žāvēšanas fāzes.	Lūdzam pārbaudīt <i>PROGRAMMU TABULĀ</i> , vai izvēlētajā mazgāšanas programmā ir iekļauta žāvēšanas fāze. Mazgāšanas cikls bez žāvēšanas fāzes var nesniegt vēlamo žāvēšanas efektivitāti, tādēļ ir ieteicams nomainīt mazgāšanas ciklu uz tādu, kurā ir iekļauta žāvēšanas fāze.
	Traukiem ir pretpiedeguma pārklājums vai tie ir izgatavoti no plastmasas.	Dažas atlikušas ūdens pīles uz šī materiāla veida ir normāla parādība.
Šķīvjiem un glāzēm ir zilās svītras un zilgana nokrāsa.	Tiek lietots pārāk liels daudzums skalošanas līdzekļa.	Noregulējiet daudzumu uz mazāku iestatījumu.
Šķīvji vai glāzes ir pārklātas ar kaļķakmeni vai bālganu plēvīti.	Tukša sāls tvertne.	Pēc iespējas ātrāk iepildiet tvertnē sāli. Ierīces lietošana bez sāls var radīt tās iekšējo komponentu bojājumus.
	Ūdens cietības iestatījums ir pārāk nēcīgs.	Palieliniet iestatījumu (<i>skatiet ŪDENS CIETĪBAS TABULĀ</i>).
	Sāls tvertnes vāciņš nav pareizi aizvērts.	Pārbaudiet un aizveriet sāls tvertnes vāciņu.
Skalošanas līdzekļa tvertne ir tukša vai tiek lietots nepietiekošs skalošanas līdzekļa daudzums.	Iepildiet dozatorā skalošanas līdzekli un pārbaudiet dozatora iestatījumu (<i>papildinformāciju skatiet UZPILDIET SKALOŠANAS LĪDZEKĻA DOZATORU</i>).	
Trauku mazgājamā mašīna uzrāda F8 E5	Vārsts ir nosprostots vai bojāts.	Ja tas ir iespējams, aizveriet ūdens krānu. Neizslēdziet ierīci no elektrotīkla. Sazinieties ar servisu.



Politikas, standarta dokumentāciju, rezerves daļu pasūtīšanu un produktu papildinformāciju var atrast:

- Izmantojot QR kodu un apmeklējot mūsu tīmekļa vietni docs.whirlpool.eu/docs
- Apmeklējot mūsu tīmekļa vietni: parts-selfservice.europeanappliances.com
- Vai arī **sazinieties ar mūsu pēcpārdošanas servisu** (tālruna numurs ir norādīts garantijas grāmatīņā). Sazinoties ar mūsu pēcpārdošanas servisu, lūdzu, nosauciet kodus, kas redzami izstrādājuma datu plāksnītē.

Modeļa informāciju var iegūt, izmantojot QR kodu, kas norādīts jaudas uzlīmē. Uzlīmē norādīts arī modeļa identifikators, ko var izmantot, lai skatītu informāciju reģistra portālā: <https://eprel.ec.europa.eu>.





DANK U WEL VOOR UW AANKOOP VAN EEN WHIRLPOOL PRODUCT.

Voor verdere assistentie kunt u het apparaat registreren op:
www.whirlpool.eu/register

Lees vóór gebruik van het apparaat de veiligheids- en installatie-instructies zorgvuldig door. Meer informatie over uw product is te vinden op website: docs.whirlpool.eu/docs

Vergeet niet om na de installatie alle transportbeschermingen van de vaatwasser te verwijderen.

BEDIENINGSPANEEL

- AAN-UIT/Reset**-toets met controlelampje
- Programmatoets **VORIGE**
- Programmatoets **VOLGENDE**
- Programmatoets **FAVORIETEN** met controlelampje
- Controlelampje **zoutreservoir leeg**
- Controlelampje **spoelglansmiddelreservoir leeg**
- Controlelampje **ONTKALKEN**
- Controlelampje **Gesloten Waterkraan**
- Display**
- Nummer programma** en controlelampje **resterende tijd**



- Toets voor **optie Power Clean®** met controlelampje
- Toets voor **optie Halve Lading** met controlelampje/**Instellingen** - 3 sec. indrukken
- Toets voor **optie Extra Droog** met controlelampje
- Toets voor **optie Uitstel** met controlelampje
- Toets **START/Pauze** met controlelampje

EERSTE GEBRUIK

INSTELLING MENU

- Het apparaat inschakelen door op de toets **AAN-UIT** te drukken.
- Houd de toets **Instellingen** (Halve Lading) 3 seconden ingedrukt tot u een pieptoon hoort en **SET** op het display verschijnt.
- Na één seconde verschijnt de eerste beschikbare instelling (letter **h**).
- Druk op **VORIGE** / **VOLGENDE** om door de lijst met beschikbare instellingen te bladeren (zie onderstaande tabel) en druk vervolgens op **START/Pauze** om de waarde van de geselecteerde instelling te bekijken of te wijzigen.
- Druk op **VORIGE** / **VOLGENDE** om de waarde te veranderen, druk vervolgens op **START/Pauze** om de nieuwe waarde op te slaan en terug te keren naar het hoofdmenu.
- Herhaal punt 4 en 5 om andere instellingen te wijzigen.
- Druk op **AAN-UIT** of wacht 30 seconden om het menu te verlaten.

De fabrieksinstelling is "3" voor gemiddelde waterhardheid. Zie „TABEL WATERHARDHEID”.

Tabel waterhardheid			
Niveau	°dH Duitse graden	°fH Franse graden	°Clark Engelse graden
1 (zacht)	0 - 6	0 - 10	0 - 7
2 (gemiddeld)	7 - 11	11 - 20	8 - 14
3 (gemiddeld)	12 - 16	21 - 29	15 - 20
4 (hard)	17 - 34	30 - 60	21 - 42
5 (zeer hard)	35 - 50	61 - 90	43 - 62

LETTER	INSTELLING	WAARDEN (Standaard - vetgedrukt)
h	Waterhardheidsgraad (zie 'DE WATERHARDHEID INSTELLEN' en 'TABEL WATERHARDHEID')	1 2 3 4 5
f	Glansspoelmiddelpeil (zie 'DE DOSERING GLANSSPOELMIDDEL AANPASSEN')	0 1 2 3 4 5
o	NaturalDry (zie 'OPTIES EN FUNCTIES') '1' = Aan, '0' = Uit	1 0
l	Licht op de vloer (zie 'OPTIES EN FUNCTIES') '1' = Aan, '0' = Uit	1 0
s	Geluid '1' = Aan, '0' = Uit	1 0
i	Fabrieksinstellingen Druk op START/Pauze om alle waarden in het instellingenmenu terug te zetten naar de fabrieksinstellingen.	-

Volg de instructies in het hoofdstuk „INSTELLING MENU” om dit te wijzigen.

Gebruik alleen zout dat speciaal voor afwasmachines is bestemd.

Wanneer het zout in de machine is gestrooid wordt het lampje **ZOUT BIJVULLEN** uitgeschakeld.

Als het zoutreservoir niet gevuld wordt, kunnen de waterverzachter en het verwarmingselement beschadigd raken als gevolg van de accumulatie van ketelsteen.

Het gebruik van zout wordt aanbevolen met elk type vaatwasmiddel.

WATERVERZACHTEND SYSTEEM

Waterverzachters reduceren automatisch de waterhardheid en voorkomen bijgevolg ketelsteenvorming op de verwarmers en dragen bij tot een efficiëntere reiniging.

Dit systeem wordt automatisch met zout geregeneerd, u dient dus het zoutreservoir te vullen wanneer het leeg is.

De frequentie van de regeneratie hangt af van de instelling van het waterhardheidsniveau - de regeneratie wordt uitgevoerd om de **4-6** Eco-cyclussen met het waterhardheidsniveau ingesteld op **3**.

De regeneratie vindt plaats aan het begin van het programma met extra vers water.

- Eén enkele regeneratie verbruikt: ~3 liter water;
- Doet de cyclus 5 minuten langer duren;
- Verbruikt minder dan 0,005 kWh energie.

HET ZOUTRESERVOIR BIJVULLEN

Het gebruik van zout voorkomt de vorming van **KALKAANSLAG** op het vaatwerk en op de functionele onderdelen van de machine.

Het zoutreservoir bevindt zich onderin de vaatwasser (onder het onderste rek aan de linkerkant).

- Het is noodzakelijk dat **het zoutreservoir nooit leeg is.**
- het is belangrijk dat de hardheid van het water wordt ingesteld.
- Zout moet worden bijgevoerd wanneer het controlelampje **ZOUT BIJVULLEN** op het bedieningspaneel brandt.



1. Verwijder het onderste rek en draai de dop van het reservoir los (linksom).
2. Plaats de trechter (zie afbeelding) en vul het zoutreservoir tot aan de rand (ongeveer 0,5 kg); het is niet ongebruikelijk dat er een beetje water uit lekt.
3. **Alleen de eerste maal dat u dit doet: vul het zoutreservoir met water.**

4. Verwijder de trechter en veeg alle zoutresten weg van de opening. Zorg ervoor dat de dop strak is aangedraaid, zodat geen vaatwasmiddel in de container kan komen tijdens het wasprogramma (dit kan de waterontharder onherstelbaar beschadigen).

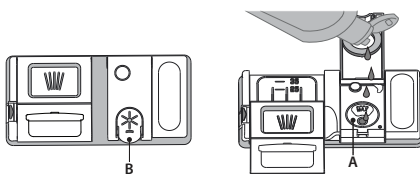
Draai altijd een programma zodra u het zoutreservoir heeft bijgevoerd om corrosie te voorkomen.

De waterhardheid instellen

Als u de waterontharder perfect wilt laten werken is het essentieel dat de instelling van de waterhardheid is gebaseerd op de werkelijke waterhardheid in uw huis. Deze informatie kan bij uw lokale waterleverancier worden opgevraagd.

HET GLANSSPOELMIDDELRESERVOIR BIJVULLEN

Glansspoelmiddel maakt het **DROGEN** van de vaat gemakkelijker. Het glansspoelmiddelreservoir **A** moet worden gevuld wanneer het controlelampje **GLANSSPOELMIDDEL BIJVULLEN** op het display brandt.



1. Open het doseerbakje **B** door de tab op het deksel in te drukken en omhoog te trekken.
2. Het glansspoelmiddel zorgvuldig inbrengen tot aan de maximum (110 ml) insteekgleuf van de vulruimte - voorkom morsen.

Wanneer dit gebeurt het gemorste glansspoelmiddel onmiddellijk met een droge doek reinigen.

3. Om het te sluiten het deksel naar beneden drukken totdat u een klik hoort. **Het glansspoelmiddel NOOIT rechtstreeks in de kuip gieten.**

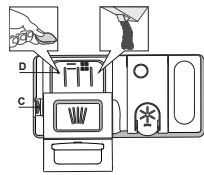
De dosering glansspoelmiddel aanpassen

Als u niet volledig tevreden bent over de droogresultaten kunt u de gebruikte hoeveelheid glansspoelmiddel aanpassen. Volg de instructies in het hoofdstuk „INSTELLING MENU” om dit te wijzigen. Als het niveau van het glansspoelmiddel is ingesteld op **NUL (ECO)** zal geen glansspoelmiddel worden afgegeven. Het controlelampje **LAAG GLANSSPOELMIDDEL** zal niet branden als het glansspoelmiddel op is.

Er kan een maximum van **6** niveaus worden ingesteld, afhankelijk van het model afwasmachine.

- Als u blauwe strepen op het vaatwerk ziet stel dan een laag getal in (0-3).
- Als er druppels water of kalkaanslag op het vaatwerk zijn stel dan een hoog getal in (4-5).

HET VAATWASMIDDELDOSEERBAKJE VULLEN



Gebruik de opening apparaat **C** om het vaatwasmiddeldoseerbakje te openen. Het vaatwasmiddel alleen in het droge doseerbakje **D** invoeren. Plaats de hoeveelheid vaatwasmiddel voor voorspoelen direct in de kuip.

DAGELIJKS GEBRUIK

1. WATERAANSLUITING CONTROLEREN

Controleer of de wasmachine is aangesloten op de waterleiding en of de waterkraan open is.

2. DE AFWASMACHINE INSCHAKELEN

Open de deur en druk op de toets **AAN/UIT**.

3. DE REKKEN VULLEN (zie REKKEN VULLEN).

4. HET VAATWASMIDDELDOSEERBAKJE VULLEN

5. HET PROGRAMMA KIEZEN EN DE CYCLUS AANPASSEN

Kies het meest geschikte programma op basis van het soort serviesgoed en de vervuilingsgraad (zie *PROGRAMMABESCHRIJVING*) door de toets van het gekozen **VORIGE/VOLGENDE** in te drukken. Selecteer de gewenste opties (zie *OPTIES EN FUNCTIES*). Niet alle opties zijn compatibel met alle programma's.

6. START

Start het programma door op de toets **START/Pauze** te drukken en de deur binnen 4 sec. te sluiten. Wanneer het programma start hoort u een enkele piep. Als de deur niet binnen 4 seconden is gesloten, hoort u een geluid ter waarschuwing. Open in dat geval de deur, druk op de **START/Pauze**-toets en sluit de deur opnieuw binnen 4 sec.

7. EINDE VAN HET WASPROGRAMMA

Het einde van de wascyclus wordt aangegeven met een geluid en op de display is **END** te zien. Open de deur en schakel het apparaat uit door op de toets **AAN/UIT** te drukken.

Een paar minuten wachten voordat het serviesgoed wordt verwijderd - om brandwonden te voorkomen. De rekken uitladen, te beginnen met het onderste rek.

1. Raadpleeg bij het afmeten van het vaatwasmiddel de eerder vermelde informatie om de juiste hoeveelheid toe te voegen. In het doseerbakje **D** vindt u de aanwijzingen voor het doseren van het vaatwasmiddel.
2. Verwijder de resten vaatwasmiddel van de randen van het doseerbakje en sluit het deksel totdat het klikt.
3. Sluit het deksel van het vaatwasmiddeldoseerbakje door het omhoog te trekken tot het sluitingsmechanisme is vastgezet.

Het vaatwasmiddeldoseerbakje opent automatisch op het juiste moment, volgens het programma.

Het gebruik van vaatwasmiddelen die niet bedoeld zijn voor vaatwasmachines kan de slechte werking van het apparaat veroorzaken of het beschadigen.

EEN LOPEND PROGRAMMA WIJZIGEN

Als er een verkeerd programma geselecteerd is, kan het worden gewijzigd, mits het nog maar net begonnen is. **RESET** de machine: Houd de toets **AAN/UIT** langer dan 3 sec. ingedrukt. De machine wordt uitgeschakeld. **Het dashboard toont "0:01"**. Sluit de deur en wacht tot de afvoercyclus afgelopen is (ongeveer 1 minuut). Open de deur en schakel de machine weer in met de knop **AAN/UIT** en selecteer de nieuwe wascyclus en eventuele gewenste opties. Start het programma door op **START/Pauze** te drukken en de deur binnen 4 sec. te sluiten.

EXTRA SERVIESGOED TOEVOEGEN

Open de deur een klein stukje zonder de machine uit te schakelen, zorg dat er geen water uitspat (het controlelampje **START/Pauze** knippert) (**Let op: Hete stoom!**) en doe de vaat in de vaatwasser. Druk op de **START/Pauze**-toets en sluit de deur binnen 4 sec., de cyclus wordt hernomen vanaf het punt waarop het was onderbroken.

ONBEDOELDE ONDERBREKING

Als de deur wordt geopend of als de stroom uitvalt tijdens het programma, stopt het programma. **ALLEEN DOOR OP START/Pauze TE DRUKKEN** en de deur binnen 4 sec. te sluiten, gaat het programma weer verder vanaf het punt waarop het werd onderbroken.

ADVIEZEN EN TIPS

ADVIEZEN

Verwijder alvorens de manden te laden alle voedselresten uit het serviesgoed en leeg de glazen. **Het serviesgoed hoeft niet tevoren onder stromend water afgespoeld te worden.**

Het serviesgoed zo rangschikken dat het stevig op zijn plaats staat en niet omslaat; rangschik de containers met de openingen naar beneden gericht en de holle/bolle onderdelen schuin geplaatst, waardoor het water elk oppervlak kan bereiken en vrij kan stromen.

Waarschuwing: zorg ervoor dat deksels, grepen, platen en koekenpannen de sproeierarmen niet belemmeren bij het draaien.

Plaats geen kleine voorwerpen in de bestekmand.

Erg vervuild vaatwerk en pannen moeten in de onderste mand worden geplaatst, omdat in deze ruimte de watersproeiers sterker zijn en hogere wasprestaties hebben.

Zorg ervoor dat na het laden van het apparaat de sproeierarmen vrij kunnen draaien.

ONGESCHIKT SERVIESGOED

- Houten servies en bestek.
- Kwetsbare gedecoreerde glazen, artistiek handwerk en antiek serviesgoed. Hun decoraties zijn hier niet tegen bestand.
- Delen van synthetisch materiaal die niet bestand zijn tegen hoge temperaturen.
- Koperen en tinnen serviesgoed.
- Serviesgoed bevuild met as, was, smeervet of inkt.

De kleuren van glasdecoraties en aluminium/zilveren stukken kunnen wijzigen en vervagen tijdens het wasproces. Sommige soorten glas (bv. kristallen voorwerpen) kunnen na een aantal wascyclussen ook dof worden.

SCHADE AAN GLASWERK EN SERVIESGOED

- Gebruik alleen glas en porselein waarvan de fabrikant garandeert dat het veilig is voor de afwasmachine.
- Gebruik een zacht vaatwasmiddel dat geschikt is voor serviesgoed.
- Haal glazen en bestek uit de afwasmachine zodra het wasprogramma afgelopen is.

TIPS VOOR ENERGIEBESPARING

- Wanneer de huishoudelijke vaatwasmachine gebruikt wordt volgens de aanwijzingen van de fabrikant, **verbruikt het wassen van vaatwerk in een vaatwasmachine gewoonlijk MINDER ENERGIE en water dan met de hand afwassen.**
- Om de efficiëntie van de vaatwasmachine te maximaliseren wordt aanbevolen om **de wascyclus eerst te starten wanneer de vaatwasmachine helemaal gevuld is.** De huishoudelijke vaatwasmachine vullen tot de hoeveelheid aangegeven door de fabrikant draagt bij tot het besparen van energie en water. Informatie over het correct laden van vaatwerk vindt u in het hoofdstuk **DE REKKEN VULLEN**. Als de machine gedeeltelijk is gevuld, wordt aanbevolen om de speciaal daarvoor bedoelde wasopties, indien voorzien, te gebruiken (Halve lading/ Zone Wash/ Multizone) en enkel geselecteerde rekken te vullen. De vaatwasmachine onjuist of overmatig vullen kan het gebruik van de hulpbronnen verhogen (zoals water, energie en tijd, en ook het geluidsniveau) en de reinigings- en droogprestaties verlagen.
- Vaatwerk vooraf met de hand spoelen verhoogt het water- en energieverbruik en wordt niet aanbevolen.

HYGIËNE

Om te voorkomen dat zich geur en afzetting ophoopt in de afwasmachine moet u ten minste één per maand een programma met hoge temperatuur laten draaien. Gebruik een theelepel vaatwasmiddel en laat het apparaat zonder lading draaien.

VOORZORGSMAATREGELEN BIJ VORST

Als het apparaat in een vertrek is geplaatst dat aan vorst kan worden blootgesteld, **moet al het water worden afgevoerd.** Draai de waterkraan dicht, koppel de toevoer- en afvoerslangen los en laat al het water er vervolgens uitstromen. **Zorg ervoor dat de waterontharder vol zit met opgelost regenererend zout in het zoutreservoir** om het apparaat te beschermen tegen temperaturen tot -20°C. Als het apparaat bij temperaturen onder nul is opgeslagen, moet het **minstens 24** uur op een omgevingstemperatuur van minimaal 5°C blijven staan alvorens het weer in te schakelen.

PROGRAMMATABEL

Programma	Beschrijving programma's	Drogen fase	NaturalDry	Beschikbare functies *)	Duur van wasprogramma (h:min)**)	Waterverbruik (liter/cyclus)	Energieverbruik (kWh/cyclus)
P1 Eco	Eco 50° - programma is geschikt voor het reinigen van normaal vervuild vaatwerk, dat voor dit gebruik het meest efficiënte programma is wat betreft de combinatie van energie- en waterverbruik en in overeenstemming is met de Europese Ecodesign-wetgeving. aangepast.	✓	✓		4:00	9,5	0,64
P2	Auto Intensief 65° - Automatisch programma voor zwaar vervuild vaatwerk en pannen.	✓	✓		2:25-3:10	15,5-24,5	1,30-1,70
P3	Auto Gemengd 55° - Automatisch programma voor normaal vuile vaat met opgedroogde etensresten.	✓	✓		1:20-3:00	7,5-19,5	0,75-1,20
P4	Auto Snel 50° - Automatisch programma voor normaal en licht vuile vaat. Het dagelijkse programma voor het optimaal reinigen en drogen in kortere tijd.	✓	✓		1:00-1:50	7,5-15,5	0,70-1,10
P5	Snel 45° - Programma dat kan worden gebruikt voor een halve lading licht vervuilde vaat zonder opgedroogde etensresten. Heeft geen droogfase.	-	✓		0:30-0:40	10-12	0,55-0,65
P6	Kristallen 45° - Programma voor kwetsbare stukken die gevoeliger zijn voor hoge temperaturen, bijvoorbeeld glazen en kopjes.	✓	✓		1:40-1:50	12,5-16,5	0,95-1,20
P7	Stil 55° - Geschikt voor werking van het apparaat in de nacht. Garandeert een optimale reinigende en drogende werking met de laagste geluidsemissie.	✓	✓		3:50-4:10	10,5-14,5	0,80-1,15
P8	Desinfecterende 65° - Normaal of sterk vervuild serviesgoed, met extra antibacteriële afwasfase. Kan gebruikt worden voor het uitvoeren van onderhoud aan de afwasmachine.	✓	-		1:55-2:10	12-19	1,40-1,80
P9	Voorspoelen - Gebruikt om servies vochtig te houden dat later gewassen moet worden. Met dit programma wordt er geen vaatwasmiddel gebruikt.	-	✓		0:12	4,5	0,10
P10	Zelfreinigend 65° - Programma te gebruiken voor het onderhoud van de afwasmachine, wordt enkel uitgevoerd wanneer de afwasmachine LEEG is met gebruik van specifieke reinigingsmiddelen die speciaal ontworpen zijn voor het onderhoud van de afwasmachine.	-	-		1:15	11,0	1,10

De gegevens van het ECO-programma worden gemeten onder laboratoriumomstandigheden, volgens de Europese norm EN 60436:2020. Aanwijzing voor de Proeflaboratoria: Voor gedetailleerde informatie over de omstandigheden van de EN-vergelijkingstest kunt u contact opnemen met: dw_test_support@whirlpool.com

Voorbehandeling van het vaatwerk vóór de programma's is niet nodig.
 *) Niet alle opties kunnen tegelijkertijd gebruikt worden.
 **) Waarden aangegeven voor andere programma's dan het Eco-programma zijn slechts indicatief. De werkelijke tijd is afhankelijk van vele factoren, zoals de temperatuur en de druk van het toevoerwater, de kamertemperatuur, hoeveelheid vaatwasmiddel, de hoeveelheid en soort lading, evenwicht van de lading, extra gekozen opties en de kalibratie van de sensor. De kalibratie van de sensor kan de duur van het programma met max. 20 min. verlengen.

OPTIES EN FUNCTIES

OPTIES kunnen na het kiezen van het programma direct worden in-/uitgeschakeld door op de betreffende toets te drukken (het indicatorlampje gaat branden, indien beschikbaar) (zie BEDIENINGSPANEEL). Als een optie niet compatibel is met het geselecteerde programma (zie PROGRAMMATABEL) gaat de bijbehorende LED 3 keer snel knipperen en klinken er pieptonen. De optie wordt niet ingeschakeld. Een optie kan de tijd of het water- of energieverbruik voor het programma wijzigen.

POWER CLEAN® - Dankzij de extra krachtige stralen biedt deze functie een intensievere en krachtigere afwascyclus op de betreffende plek in het onderste reka. Deze functie wordt aanbevolen voor het afwassen van pannen en ovenschalen. (Zie het gedeelte over Power Clean®).

HALVE LADING - Als er niet veel vaat moet worden gewassen, wordt de functie HALVE LADING gebruikt om water, elektriciteit of tijd te besparen, afhankelijk van het gekozen programma.

Vergeet niet om de hoeveelheid vaatwasmiddel te verminderen.

EXTRA DROOG - Een hogere temperatuur en langere droogfase na de laatste speelbeurt helpen de vaat beter te drogen. De EXTRA DROOG optie verlengt het wasprogramma.

UITSTEL - De start van het programma kan worden uitgesteld voor een periode tussen 0:30 en 24 uur.

- Selecteer het programma en eventuele gewenste opties. Druk (meerdere keren) op de UITSTEL-toets om de start van het programma uit te stellen. Instelbaar van 0:30 tot 24 uur. Zodra de instelling van 24 uur is bereikt, drukt u nogmaals op de toets UITSTEL om de functie uit te schakelen.
- Druk op de toets START/Pauze en sluit binnen 4 seconden de deur de timer begint met aftellen.
- Wanneer deze tijd verstreken is wordt het controlelampje uitgeschakeld en begint het programma automatisch.

Zodra er een programma is gestart kan de UITSTEL-functie niet worden ingesteld.

LICHT OP DE VLOER - Er wordt LED-licht op de vloer geprojecteerd om aan te geven dat de afwasmachine in bedrijf is. Het licht gaat uit aan het einde van een programma. Deze functie is standaard actief, maar kan worden uitgeschakeld in het "INSTELLING MENU".

NaturalDry - Een convectiedroogstelsel dat de deur tijdens/na de droogfase automatisch opent voor buitengewone droogprestaties, elke dag weer. De deur gaat open bij een temperatuur die veilig is voor uw keukenmeubelen, dus niet wanneer de optie ANTIBACTERIEEL SPOELEN is ingeschakeld. Als extra bescherming tegen stoom wordt een speciaal ontworpen beschermingsfolie bij de vaatwasser geleverd. Raadpleeg het INSTALLATIE-BOEKJE om te zien hoe u de beschermingsfolie aanbrengt. Deze functie is standaard actief, maar kan worden uitgeschakeld in het "INSTELLING MENU".

WAARNEMEN - Wanneer de sensor meet hoe vuil de vaat is, verschijnt er een animatie op het display (ongeveer 20 min.) en wordt de programmaduur aangepast. Bij het waarnemen wordt gekeken hoe vuil de vaat is. Dit kan worden gebruikt bij alle programma's (behalve Eco) waarbij het programma dienovereenkomstig wordt aangepast.

WATERTOEVOER GESLOTEN - Alarm - Knippert wanneer er geen watertoevoer is of de waterkraan gesloten is.

FAVORIETEN - De mogelijkheid om uw favoriete programma op te slaan voor handiger gebruik. Selecteer met de knop VORIGE/VOLGENDE het programma en houd vervolgens de favorieten knop 3 seconden ingedrukt.

ONTKALKEN – Alarm - Er is kalkaanslag geconstateerd op interne onderdelen van het apparaat. **Controleer of de waterhardheid** juiste is ingesteld en of er **zout** in het zoutreservoir zit (zie **EERSTE GEBRUIK**). **Gebruik vervolgens een ontkalkingsmiddel** (het merk WPro wordt aanbevolen) met het programma **Zelfreinigen**. Na een succesvolle ontkalking wordt het symbool niet meer weergegeven.

Als de bovenstaande handelingen niet worden uitgevoerd, zal het apparaat minder goed werken. De waarschuwing 'Ontkalken' begint te knipperen en op het display verschijnt 'dES'. Als er nog steeds niet wordt ingegrepen, start het apparaat nog slechts enkele malen op (aangegeven met 'dES' op het display). Hierna start het apparaat niet meer om schade aan onderdelen te voorkomen. **Alleen het programma Zelfreinigen is nog beschikbaar**. Pas na een volledige ontkalking start het apparaat weer. Bij extreem veel kalkaanslag kan het nodig zijn om twee keer te ontkalken.

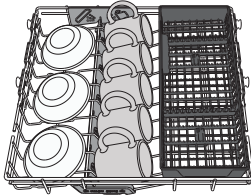
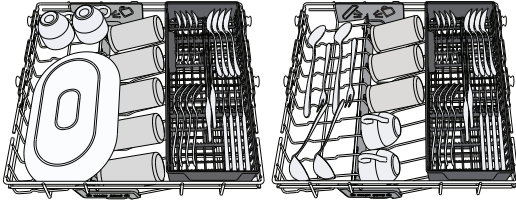
REKKEN VULLEN

HOOGSTE REK

Het hoogste rek biedt een speciale reinigingszone voor kommen, mokken en zelfs grote bordes en bestek die u normaal gesproken in de onderste rekken zou plaatsen. Hierdoor ontstaat extra ruimte voor de rest van de vaat.

Een aparte rangschikking voor het bestek maakt het oppakken na de afwas eenvoudiger en verbetert de was- en droogprestaties.

Messen en andere gebruiksvoorwerpen met scherpe randen moeten worden geplaatst met de punten naar beneden gericht.

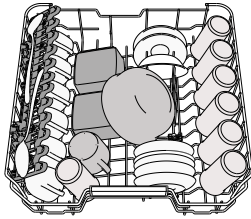


BOVENSTE REK

Laden van kwetsbaar en licht vaatwerk: glazen, kopjes, schoteltjes, lage saladekommen.

Het bovenste rek heeft opklapbare steunen die in een verticale positie kunnen worden gebruikt bij het schikken van thee/dessertschoteltjes of in een lagere positie om kommen en schalen te laden.

(laadvoorbeeld voor het bovenste rek)



De hoogte van het bovenste rek afstellen

De hoogte van het bovenste rek kan worden afgesteld: hoge stand voor groot serviesgoed in de onderste mand en lage stand om optimaal gebruik te maken van de opklapbare steunen, door het creëren van meer ruimte naar boven en botsen met de items die in het onderste rek zijn geladen te voorkomen.

Het bovenste rek is uitgerust met een **hoogteversteller bovenste rek** (zie afbeelding, zonder op de hefboomen te hoeven drukken, opheffen door gewoon de zijkanten van het rek vast te houden, zodra het rek stabiel in de bovenste positie staat. Voor herstellen naar de lagere positie op de hefboomen **A** aan de zijkanten van het rek drukken en de mand naar beneden verplaatsen.

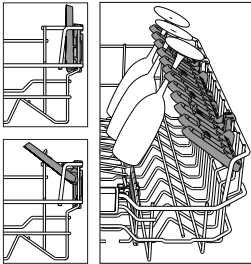
Het is raadzaam de hoogte van het rek niet aan te passen wanneer het is geladen. NOOIT de mand slechts aan één kant verhogen of verlagen.

Opvouwbare kleppen met verstelbare stand

De opvouwbare kleppen aan de zijkant kunnen worden opgevouwen of opengevouwen voor een optimale rangschikking van het serviesgoed in het rek. Wijneglazen kunnen veilig in de opvouwbare kleppen worden geplaatst door de steel van elk glas in de overeenkomstige sleuven in te voeren.

Afhankelijk van het model:

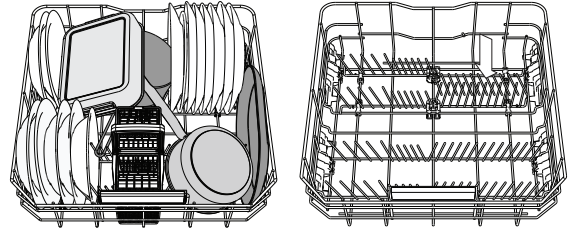
- om de kleppen open te vouwen moet u ze omhoog schuiven en roteren of ze losmaken van de klemmen en omlaag trekken.
- om de kleppen op te vouwen moet u ze roteren en omlaag schuiven of ze omhoog trekken en aan de klemmen vastmaken.



CAPACITEIT: 14 standaard couverts

ONDERSTE REK

Voor potten, deksels, platen, saladekommen, bestek enz. Grote platen en deksels moeten idealiter aan de zijkanten worden geplaatst, om aanraking met de sproeierarmen te voorkomen. Het onderste rek heeft opklapbare steunen die in een verticale positie kunnen worden gebruikt bij het schikken van platen of in een horizontale positie (lager) om pannen en saladekommen te laden.



(laadvoorbeeld voor het onderste rek)

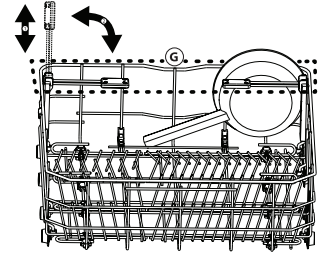
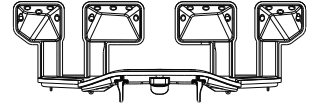
POWER CLEAN®

Power Clean® maakt gebruik van speciale waterstralen aan de achterzijde van de ruimte voor een intensievere reiniging van zeer vuile items. Het onderste rek heeft een lege ruimte, een speciale uittrekbare steun aan de achterzijde van het rek, die kan worden gebruikt ter ondersteuning van koekenpannen of braadpannen in verticale positie, zodat ze minder ruimte in beslag nemen.

Activeer **POWER CLEAN®** op het paneel tijdens het plaatsen van de pannen / ovenschalen tegenover het Power Clean® component.

Power Clean® gebruiken:

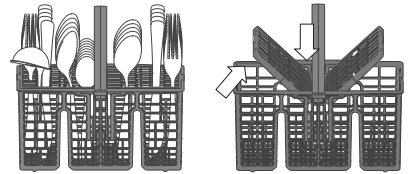
1. Pas het Power Clean® gebied (G) aan door de achterste bordhouders omlaag te klappen om potten en pannen te laden.
2. Laad potten, pannen en schalen verticaal gekanteld in het Power Clean® gebied. Potten en pannen moeten naar de krachtige waterstralen toe gekanteld worden.



BESTEKKORF

Het is uitgerust met rasters aan de bovenkant, om het bestek beter te kunnen rangschikken. Het mag alleen aan de voorkant van het onderste rek worden geplaatst.

Messen en andere gebruiksvoorwerpen met scherpe randen moeten in de bestekmand worden gezet met de punten naar beneden gericht of horizontaal geplaatst in de opklapbare compartimenten op het bovenste rek.



REINIGING EN ONDERHOUD

HET FILTERSISTEEM REINIGEN

Reinig het filtersysteem regelmatig, zodat de filters niet verstopten en het afvalwater correct weg stroomt.

Het gebruik van vaatwasmachines met verstopte filters of vreemde voorwerpen in het filtersysteem of de sproeiarmen kan de slechte werking ervan en bijgevolg lagere prestaties, lawaai of een hoger verbruik van hulpbronnen veroorzaken.

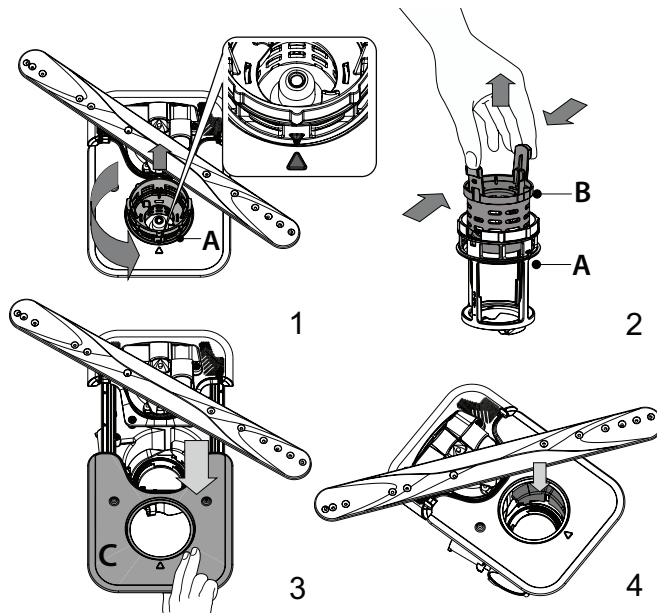
Het filtersysteem bestaat uit drie filters die voedselresten uit het afwaswater verwijderen en vervolgens het water opnieuw laten circuleren.

De afwasmachine mag niet worden gebruikt zonder filters of als het filter is losgeraakt.

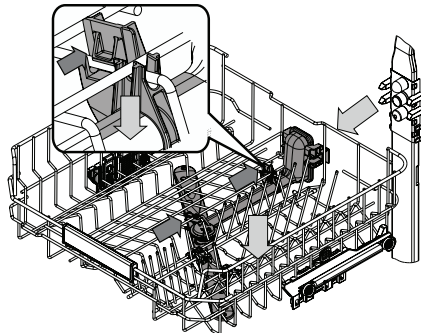
Controleer tenminste eens per maand of na elke 30 cyclussen het filtersysteem en reinig het eventueel grondig onder stromend water, met een niet-metalen borstel en volgens de onderstaande instructies:

1. Draai het cilindrische filter **A** linksom en trek het uit (Afb. 1). **Bij het terugplaatsen van het filter is het belangrijk dat de twee driehoeken die op de vergroting zijn aangegeven, elkaar raken.**
2. Verwijder het houderfilter **B** door licht op de zijkleppen te drukken (Afb. 2).
3. Schuif de roestvrij stalen plaat filter **C** er uit (Afb. 3).
4. Als u vreemde voorwerpen vindt (gebroken glas, porselein, beenderen, zaden van vruchten, enz.), **verwijdert u ze zorgvuldig.**
5. Inspecteer de sifon en verwijder eventuele voedselresten. **VERWIJDER NOOIT** de pompbescherming van het wasprogramma (aangegeven door de pijl) (Afb. 4).

Na het schoonmaken van het filter het filtersysteem opnieuw plaatsen en goed op zijn plaats zetten; dit is essentieel voor het behoud van de efficiënte werking van de afwasmachine.



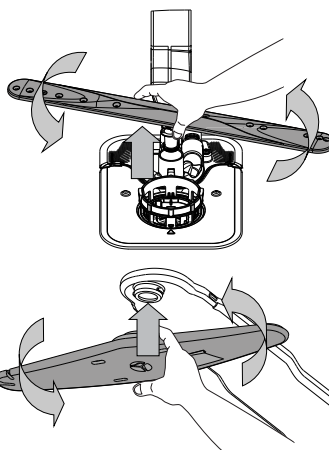
DE SPROEIERARMEN REINIGEN



Af en toe kunnen er voedselresten op de sproeiarmen vastzitten en worden de openingen voor het water sproeien geblokkeerd. Het is daarom raadzaam dat u de armen van tijd tot tijd controleert en ze met een kleine niet-metalen borstel schoonmaakt.

U kunt de bovenste sproeier alleen samen met het spuitstuk verwijderen.

Het hoogste rek heeft een vaste waterbuis waarvan alle sproeiers naar boven zijn gericht. Om de buis schoon te maken, schuift u het rek naar buiten. Met een pincet kunt u dingen uit de sproeiers verwijderen.



De onderste sproeierarm kan worden verwijderd door het omhoog te trekken. Trek de sproeierarm omhoog en draai hem rechtsonder om hem weer te bevestigen.

De bovenste sproeierarm kan worden verwijderd door deze omhoog te duwen en linksom te draaien. Trek de sproeierarm omhoog en draai hem rechtsonder om hem weer te bevestigen.

PROBLEMEN OPLOSSEN

Als uw vaatwasmachine niet goed werkt, doorloopt u de onderstaande lijst om te controleren u of u het probleem kunt verhelpen. Voor andere fouten of problemen neemt u contact op met de bevoegde Consumentenservice, de contactgegevens ervan vindt u in de garantieboekje. Reserveonderdelen zijn beschikbaar voor een periode van maximaal 7 of maximaal 10 jaar, afhankelijk van de regels die van toepassing zijn.

PROBLEMEN	MOGELIJKE OORZAKEN	OPLOSSINGEN
☹ De zoutindicator brandt	Zoutreservoir is bijna leeg.	Vul het reservoir met zout (voor meer informatie - zie HET ZOUTRESERVOIR BIJVULLEN). Controleer zo nodig de instelling van de waterhardheid - zie TABEL WATERHARDHEID.
☹ De zoutindicator knippert	Zoutreservoir is leeg.	Vul het reservoir zo snel mogelijk met zout. Gebruik van het apparaat zonder zout kan de interne onderdelen beschadigen.
☼ Glansspoelmiddelindicator brandt of knippert	Glansspoelmiddelbakje is leeg. (Na het bijvullen kan de glansspoelmiddelindicator nog even blijven branden).	Vul het reservoir met een glansspoelmiddel (zie - HET GLANSSPOELMIDDELRESERVOIR BIJVULLEN).
☹ De ontkalkingsindicator brandt of knippert; het alarm „dES” wordt weergegeven.	Er zit kalkaanslag op de interne onderdelen van het apparaat.	Ontkalk het apparaat onmiddellijk met behulp van het Zelfreinigendprogramma en een in de handel verkrijgbaar ontkalkingsmiddel (zie OPTIES EN FUNCTIES). Vul het reservoir met zout. Controleer de instelling van de waterhardheid. Als het apparaat niet wordt ontkalkt, werkt het niet meer.
De afwasmachine start niet of reageert niet op opdrachten.	Het apparaat is niet goed aangesloten.	Steek de stekker in het stopcontact.
	Stroomuitval.	Om veiligheidsredenen start de vaatwasser niet automatisch opnieuw op wanneer de stroom weer beschikbaar is. Open de deur van de vaatwasmachine, druk op de START/Pauze-toets en sluit de deur binnen 4 sec.
	De deur van de afwasmachine is niet goed gesloten. De pin NaturalDry is niet ingetrokken.	De deur krachtig aanduwen totdat u de „klik” hoort.
	Een programma wordt onderbroken als de deur langer dan 4 seconden wordt geopend.	Druk op START/Pauze en sluit de deur binnen 4 seconden.
	Het bedieningspaneel reageert niet of F6 E1 wordt weergegeven.	Schakel het apparaat uit door op de toets AAN/UIT/Reset te drukken, schakel het na ongeveer een minuut weer in en start het programma opnieuw. Als het probleem niet is verholpen, trekt u de stekker van het apparaat 1 minuut uit het stopcontact en plaatst u hem weer terug.

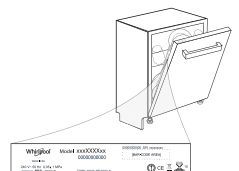
PROBLEMEN	MOGELIJKE OORZAKEN	OPLOSSINGEN
De afwasmachine pompt niet af. Weergave op het display: F7 E3 of F9 E1	Filter is verstopt met voedselresten of kalkaanslag.	Reinig het filter en ontcalc het apparaat (zie HET FILTERSYSTEEM REINIGEN en ONTKALKEN).
	Er zit een knik in de afvoerslang.	Controleer de afvoerslang (zie AANWIJZINGEN VOOR INSTALLATIE).
	De pijp van de gootsteenafvoer is geblokkeerd.	Reinig de pijp van de gootsteenafvoer.
De vaatwasser maakt veel lawaai.	Het serviesgoed rammelt tegen elkaar.	Rangschik het serviesgoed goed (zie REKKEN VULLEN).
	Er is te veel schuim aanwezig.	Het vaatwasmiddel is niet goed afgemeten of het is niet geschikt voor gebruik in afwasmachines (zie HET VAATWASMIDDELDOSEERBAKJE VULLEN). Start de actuele wascyclus opnieuw: schakel de afwasmachine UIT, vervolgens terug in, selecteer een nieuw programma, druk op START/Pauze en sluit de deur binnen 4 seconden. Voeg geen vaatwasmiddel toe.
	Het serviesgoed is niet goed gerangschikt.	Rangschik het serviesgoed goed (zie REKKEN VULLEN).
	Het filter is verstopt met voedselresten of kalkaanslag.	Reinig het filtersysteem (zie REINIGING EN ONDERHOUD).
Het vaatwerk is niet schoon.	Het serviesgoed is niet goed gerangschikt.	Rangschik het serviesgoed goed (zie REKKEN VULLEN).
	Sproeierarmen kunnen niet vrij draaien, ze worden door het serviesgoed belemmerd.	Rangschik het serviesgoed goed (zie REKKEN VULLEN). Controleer of het bovenste rek in de juiste stand staat en stel het zo nodig bij (optillen).
	Het wasprogramma is te zacht.	Selecteer een geschikt wasprogramma (zie PROGRAMMATABEL).
	Er is te veel schuim aanwezig.	Het vaatwasmiddel is niet goed afgemeten of het is niet geschikt voor gebruik in afwasmachines (zie HET VAATWASMIDDELDOSEERBAKJE VULLEN).
	De dop op het glansspoelmiddelcompartiment is niet goed afgesloten.	Zorg ervoor dat de dop van het glansspoelmiddelbakje is gesloten.
	Het filter is verstopt met voedselresten of kalkaanslag.	Reinig het filter en ontcalc het apparaat (zie HET FILTERSYSTEEM REINIGEN).
De afwasmachine vult zich niet met water. Op het scherm: H2O is verlicht; er klinkt een geluidsalarm.	Geen water in de watertoevoer of de kraan is gesloten.	Zorg ervoor dat er water in de watertoevoer komt en dat de kraan open staat.
	Er zit een knik in de toevoerslang.	Controleer de toevoerslang (zie INSTALLATIE). Open de deur van de vaatwasmachine, druk op de START/Pauze-toets en sluit de deur binnen 4 sec.
	De zeef in de watertoevoerslang is verstopt; het moet gereinigd worden.	Controleer en reinig de zeef in de watertoevoerslang. Open de deur van de vaatwasmachine, druk op de START/Pauze-toets en sluit de deur binnen 4 sec.
De vaatwasser beëindigt het programma voortijdig. Op het scherm: F8 E3	Filter is verstopt met voedselresten of kalkaanslag.	Reinig het filter en ontcalc het apparaat (zie HET FILTERSYSTEEM REINIGEN en ONTKALKEN).
	De afvoerslang zit te laag of hevelt naar de riolering.	Controleer of het uiteinde van de afvoerslang op de juiste hoogte is geplaatst (zie INSTALLATIE). Controleer of er naar het riool wordt geheveld en installeer zo nodig een hevelonderbreker/luchttoevoerklep.
	Er is te veel schuim aanwezig.	Het vaatwasmiddel is niet goed afgemeten of het is niet geschikt voor gebruik in afwasmachines (zie HET VAATWASMIDDELDOSEERBAKJE VULLEN).
	Lucht in de watertoevoer.	Controleer de watertoevoer op lekken of andere problemen die lucht binnenlaten.
Het serviesgoed is niet goed droog.	Er is geen spoelglansmiddel aanwezig of de dosering is te laag.	Zorg ervoor dat het spoelglansmiddelbakje gevuld is (zie HET GLANSSPOELMIDDELRESERVOIR BIJVULLEN). Met multifunctionele tabletten droogt het serviesgoed niet zo goed als wanneer er een vloeibaar spoelglansmiddel wordt gebruikt.
	Het serviesgoed is uit het apparaat gehaald nadat de deur automatisch werd geopend, maar vóór het einde van het programma.	Controleer of het programma is afgelopen voordat u het serviesgoed uit het apparaat haalt (zie DAGELIJKS GEBRUIK). Laat het serviesgoed nog 15 minuten met de deur open in de vaatwasser staan nadat het programma is afgelopen om het extra goed te laten drogen.
	Het serviesgoed is te vlak gerangschikt.	Als er water in de holtes van kopjes, mokken of kommen blijft staan, probeer het serviesgoed dan schuiner te laden (vooral in het bovenste rek) zodat het water kan weglopen voordat het drogen begint.
	Het geselecteerde programma heeft geen droogfase.	Controleer in de PROGRAMMATABEL of het geselecteerde programma een droogfase heeft. Programma's zonder de droogfase drogen minder goed. Voor een goede droging is het raadzaam een programma met droogfase te kiezen.
	Het vaatwerk heeft een antiaanbaklaag of is van kunststof.	Het is normaal dat waterdruppels op dit soort materiaal achterblijven.
Er zitten blauwe strepen of blauwachtige tinten op het serviesgoed.	De dosering van glansspoelmiddel is te hoog.	Stel de dosering lager in.
Het serviesgoed is bedekt met kalk of een witachtige film.	Zoutreservoir is leeg.	Vul het reservoir zo snel mogelijk met zout. Gebruik van het apparaat zonder zout kan de interne onderdelen beschadigen.
	De waterhardheid is te laag ingesteld.	Verhoog de instelling (zie TABEL WATERHARDHEID).
	De dop van het zoutreservoir is niet goed gesloten.	Controleer en sluit de dop van het zoutreservoir.
Op de vaatwasser staat F8 E5	Het spoelglansmiddelreservoir is leeg of de spoelglansmiddeldosering is onvoldoende.	Vul het reservoir met spoelglansmiddel en controleer de doseerinstelling (zie HET GLANSSPOELMIDDELRESERVOIR BIJVULLEN).
	De klep is geblokkeerd of defect.	Sluit de kraan, indien mogelijk. Schakel de voeding niet uit. Bel de klantenservice.



De bedrijfsregels, standaarddocumentatie, bestellen van onderdelen en aanvullende productinformatie kunt u vinden:

- Gebruik makend van de QR-code en op onze website: docs.whirlpool.eu/docs
- Op onze website: parts-selfservice.europeanappliances.com
- Anders, **contacteer onze Klantenservice** (Het telefoonnummer staat in het garantieboekje). Wanneer u contact neemt met de Klantenservice, gelieve de codes te vermelden die op het identificatieplaatje van het apparaat staan.

De modelinformatie kan gevonden worden aan de hand van de QR-code die op het energielabel aangegeven is. Het label bevat ook de model-ID die kan worden gebruikt om het portaal van het register te raadplegen op <https://eprel.ec.europa.eu>.





DZIĘKUJEMY ZA ZAKUP PRODUKTU WHIRLPOOL
Aby uzyskać kompleksową pomoc, prosimy zarejestrować urządzenie na stronie: www.whirlpool.eu/register.

Przed rozpoczęciem użytkowania urządzenia, należy uważnie przeczytać instrukcję bezpieczeństwa i instrukcję montażu. Więcej informacji na temat produktu można znaleźć na stronie internetowej: docs.whirlpool.eu/docs

⚠ Po instalacji prosimy pamiętać o wyjęciu ze zmywarki wszystkich elementów zabezpieczających w czasie transportu.

PANEL STEROWANIA

1. Przycisk i kontrolka **WŁ.-WYŁ./Reset**
2. Przycisk wyboru programu **POPZEDNI**
3. Przycisk wyboru programu **NASTĘPNY**
4. Przycisk i kontrolka wyboru programu **ULUBIONY**
5. Kontrolka **Brak soli**
6. Kontrolka **Brak płynu nabłyszczającego**
7. Kontrolka **ODKAMIENIANIE**
8. Kontrolka **Zamknięty zawór wody**
9. **Wyświetlacz**
10. **Numer programu i wskaźnik pozostałego czasu**
11. Przycisk i kontrolka **opcji Power Clean®**



12. Przycisk i kontrolka **opcji Połowa Załadunku/ Ustawienia** - wciśnięcie przycisku przez 3 sek.
13. przycisk i kontrolka **opcji Dodatkowe Suszenie**
14. Przycisk i kontrolka **opcji Opóźnienie**
15. Przycisk i kontrolka **START/Pauza**

PIERWSZE UŻYCIĘ

MENU USTAWIENI

1. Włączyć urządzenie, naciskając przycisk **WŁ.-WYŁ.** (⏻).
2. Nacisnąć i przytrzymać przycisk **Ustawienia** (⚙️) (Połowa Załadunku (⏻) przez 3 sekundy, do momentu aż rozlegnie się sygnał dźwiękowy a na wyświetlaczu pojawi się komunikat „**Set**”.
3. Po jednej sekundzie wyświetli się pierwsze dostępne ustawienie (litera „h”).
4. Wcisnąć przycisk **POPZEDNI/NASTĘPNY>**, aby przewinąć listę dostępnych ustawień (patrz tabela poniżej), następnie wcisnąć **START/Pauza** (▶️) aby podejrzeć i zmienić wartość wybranego obecnie ustawienia.
5. Wcisnąć przycisk **POPZEDNI/NASTĘPNY>**, aby zmienić wartość, następnie wcisnąć **START/Pauza** (▶️), aby zapisać nową wartość i wrócić do menu głównego.
6. Aby zmienić inne ustawienie, powtórzyć punkty 4 i 5.
7. Wcisnąć **WŁ.-WYŁ.** (⏻) lub odczekać 30 sekund aby wyjść z menu.

Tę informację można uzyskać od lokalnego dostawcy wody. Zakład produkcyjny ustawia domyślną wartość "3" dla twardości wody. Zobacz „**TABELA TWARDOŚCI WODY**”.

Poziom	°dH	°fH	°Clark
	St. niemieckie	St. francuskie	St. brytyjskie
1 (miękka)	0 - 6	0 - 10	0 - 7
2 (średnia)	7 - 11	11 - 20	8 - 14
3 (przeciętna)	12 - 16	21 - 29	15 - 20
4 (twarda)	17 - 34	30 - 60	21 - 42
5 (bardzo twarda)	35 - 50	61 - 90	43 - 62

Aby zmienić ustawienie, należy wykonać czynności zgodnie z instrukcjami podanymi w rozdziale „MENU USTAWIENI”.

Należy stosować wyłącznie taką sól, która jest specjalnie przeznaczona do zmywarek.

Po wysypaniu soli do zmywarki kontrolka **BRAK SOLI** gaśnie.

Jeśli pojemnik z solą jest pusty, istnieje ryzyko uszkodzenia zmiękczacza wody oraz grzałki z powodu nagromadzenia osadu.

Stosowanie soli jest zalecane z każdym rodzajem detergentu do zmywarek.

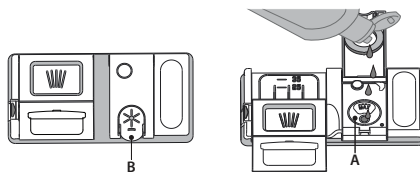
SYSTEM ZMIĘKCZANIA WODY

Zmiękczacze wody automatycznie zmniejsza twardość wody, tym samym zapobiegając nagromadzeniu osadu na grzałce co z kolei przyczynia się do większej wydajności zmywania. **System sam regeneruje się przy pomocy soli, zatem zbiornik soli należy uzupełniać jak tylko będzie pusty.** Częstotliwość regeneracji zależy od ustawienia poziomu twardości wody - regeneracja następuje raz na 4-6 cykli Eko, kiedy twardość wody ustawiona jest na poziom 3. Proces regeneracji zachodzi na początku cyklu z dodatkową świeżą wodą.

- Podczas jednej regeneracji: ~Zużycie 3 L wody;
- Dodatkowe 5 minut cyklu;
- Zużycie poniżej 0,005 kWh energii elektrycznej.

NAPEŁNIANIE DOZOWNIKA PŁYNU NABŁYSZCZAJĄCEGO

Płyn nabłyszczający ułatwia **SUSZENIE** naczyń. Dozownik płynu nabłyszczającego **A** powinien zostać napełniony, gdy kontrolka **BRAK PŁYNU NABŁYSZCZAJĄCEGO** (☀️), świeci się na panelu sterowania.



1. Otworzyć dozownik **B**, naciskając i podnosząc kłapkę na pokrywce.
2. Ostrożnie wlewać płyn nabłyszczający, aż do kreski oznaczającej maksymalny poziom napełnienia (110 ml) - unikać rozlania płynu.

Jeśli tak się stanie, należy natychmiast wytrzeć rozlany płyn suchą szmatką.

3. Zatrzasnąć pokrywkę.

NIGDY nie wlewać płynu nabłyszczającego bezpośrednio do komory zmywarki.

Regulacja dozowania płynu nabłyszczającego

Jeśli rezultaty suszenia nie są w pełni zadowalające, można wyregulować dozowanie używanego płynu nabłyszczającego.

Aby zmienić ustawienie, należy wykonać czynności zgodnie z instrukcjami podanymi w rozdziale „MENU USTAWIENI”.

Jeśli poziom dozowania płynu nabłyszczającego został ustawiony na ZERO (EKO), płyn nabłyszczający nie będzie dozowany. Kontrolka **BRAK PŁYNU NABŁYSZCZAJĄCEGO** nie będzie świecić, jeśli zabraknie płynu nabłyszczającego. Można ustawić maksymalnie 6 poziomów, zależnie od modelu zmywarki.

- Jeśli na naczyńach są widoczne niebieskawe smugi, należy ustawić niski poziom (0-3).
- Jeśli na naczyńach pozostają krople wody lub oznaki kamienia, należy ustawić wysoki poziom (4-5).

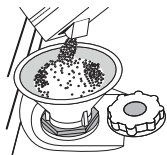
LITERA	USTAWIENIE	WARTOŚCI (Domyślne - pogrubiona czcionką)
h	Poziom twardości wody (patrz „ USTAWIENIE TWARDOŚCI WODY ” oraz „ TABELA TWARDOŚCI WODY ”)	1 2 3 4 5
f	Poziom dozowania nabłyszczacza (patrz „ REGULACJA DOZOWANIA PŁYNU NABŁYSZCZAJĄCEGO ”)	0 1 2 3 4 5
□	NaturalDry (patrz „ OPCJE I FUNKCJE ”) „1” = Wł., „0” = Wył.	1 0
☀️	Światło skierowane na podłogę (patrz „ OPCJE I FUNKCJE ”) „1” = Wł., „0” = Wył.	1 0
🔊	Dźwięk „1” = Wł., „0” = Wył.	1 0
⏻	Ustawienia fabryczne Wcisnąć przycisk START/Pauza , aby przywrócić domyślne ustawienia fabryczne dla wszystkich wartości zawartych w menu ustawienia.	-

NAPEŁNIANIE ZBIORNIKA SOLI

Zastosowanie soli zapobiega tworzeniu się **KAMIENIA** na naczyńach i funkcjonalnych podzespołach zmywarki.

Zbiornik soli jest zlokalizowany w dolnej części zmywarki (pod koszem dolnym po lewej stronie).

- Konieczne jest, aby **ZBIORNIK SOLI NIGDY NIE BYŁ PUSTY.**
- Ważne też jest odpowiednie ustawienie twardości wody.
- Należy uzupełnić sól, gdy kontrolka **BRAK SOLI** (☹️) świeci się na panelu sterowania.



1. Wyjąć dolny kosz i odkręcić korek zbiornika (w kierunku przeciwnym do ruchu wskazówek zegara).
2. Umieścić lejek (patrz rys.) i wsypać sól aż do krawędzi zbiornika (około 0,5 kg); niewielki wyciek wody jest tu normalny.
3. **Tylko podczas wykonywania czynności po raz pierwszy: Napełnić zbiornik soli wodą.**

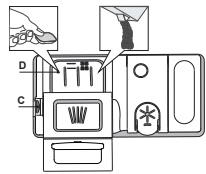
4. Wyjąć lejek i wytrzeć resztki soli wokół otworu. Upewnić się, czy korek jest mocno dokręcony, aby detergent nie mógł przedostać się do zbiornika podczas programu zmywania (mogłoby to spowodować nienaprawialne uszkodzenie zmiękczacza wody).

Za każdym razem, gdy tylko ukończone zostanie uzupełnianie soli, należy włączyć jeden z programów zmywania, aby zapobiec korozji.

Ustawienie twardości wody

Aby zmiękczacze wody działał idealnie, istotne jest ustawienie twardości wody na podstawie rzeczywistej twardości doprowadzanej wody.

NAPEŁNIANIE DOZOWNIKA DETERGENTU



Aby otworzyć dozownik detergentu, użyć urządzenia do otwierania C. Detergent wsypywać/wlewać tylko do suchego zasobnika D. Detergent przeznaczony do mycia wstępnego wsypywać/wlewać bezpośrednio do komory zmywarki.

1. Odmierzając dawkę detergentu, należy uwzględnić informacje podane powyżej, aby dodana ilość detergentu była prawidłowa. Wewnątrz dozownika D znajdują się oznaczenia ułatwiające dozowanie detergentu.

2. Przed zatrzaśnięciem pokrywy usunąć pozostałości detergentu z krawędzi dozownika.
3. Zamknąć pokrywę dozownika detergentu, pociągając ją w górę tak, aż urządzenie zamykające zostanie zablokowane na swoim miejscu. Dozownik detergentu otwiera się automatycznie w odpowiednim czasie, zgodnie z danym programem.

Zastosowanie detergentów nieprzeznaczonych do użytku w zmywarkach może spowodować nieprawidłowe działanie lub uszkodzenie urządzenia.

CODZIENNA EKSPLOATACJA

1. SPRAWDZENIE PRZYŁĄCZA WODY

Sprawdzić, czy zmywarka jest podłączona do instalacji wodnej i czy zawór wody jest otwarty.

2. WŁĄCZANIE ZMYWARKI

Otwórz drzwiczki i naciśnij przycisk **WŁ.-WYŁ.**

3. WKŁADANIE NACZYŃ DO KOSZA (patrz ŁADOWANIE KOSZY).

4. NAPEŁNIANIE DOZOWNIKA DETERGENTU

5. WYBÓR PROGRAMU I DOSTOSOWANIE CYKLU

Wybierz najbardziej odpowiedni program, dostosowany do typu naczyń stołowych i poziomu ich zabrudzenia (patrz OPIS PROGRAMÓW), naciskając przyciski **POPZEDNI/NASTĘPNY**. Wybierz żądane opcje (patrz OPCJE I FUNKCJE). Nie wszystkie opcje są przystosowane do wszystkich programów.

6. START

Uruchom cykl zmywania naciskając przycisk **START/Pauza** (diody LED świeci) i zamykając drzwiczki w przeciągu 4 sekund. Po uruchomieniu programu urządzenie wyemituje pojedynczy sygnał dźwiękowy. Jeśli drzwiczki nie zostaną zamknięte w przeciągu 4 sekund, rozlegnie się dźwięk alarmu. W takim przypadku otwórz drzwiczki, naciśnij przycisk **START/Pauza** i ponownie zamknij drzwiczki w przeciągu 4 sekund.

7. KONIEC CYKLU ZMYWANIA

Koniec cyklu zmywania jest sygnalizowany przez sygnał dźwiękowy oraz za pomocą komunikatu **END [KONIEC]** na wyświetlaczu. Otwórz drzwiczki i wyłącz urządzenie, naciskając przycisk **WŁ.-WYŁ.**

Przed wyjęciem naczyń odczekaj kilka minut - aby uniknąć oparzenia. Wyjmij naczynia, zaczynając od dolnego kosza.

ZMIANA URUCHOMIONEGO PROGRAMU

Jeżeli wybrany został niewłaściwy program, można go zmienić, pod warunkiem, że program dopiero się rozpoczął. **PONOWNE USTAWIENIE** maszyny: naciśnij i przytrzymaj przycisk **WŁ.-WYŁ.** przez ponad 3 sekundy i maszyna się wyłączy. **Na tablicy wskaźników wyświetli się komunikat „0:01”**. Zamknij drzwiczki i poczekaj, aż zakończy się cykl spuszczenia wody (około 1 minuty). Otwórz drzwiczki i włącz z powrotem urządzenie za pomocą przycisku **WŁ.-WYŁ.** i wybrać nowy cykl zmywania oraz żądane opcje. Uruchom cykl, naciskając przycisk **START/Pauza** i zamykając drzwiczki w przeciągu 4 sekund.

DODAWANIE DODATKOWYCH NACZYŃ STOŁOWYCH

Bez wyłączania zmywarki lekko uchyl drzwiczki, aby uniknąć rozpryskiwania się wody na zewnątrz (diody **START/Pauza** zaczyna migać) (**Uwaga: Gorąca para!**) i umieść naczynia wewnątrz zmywarki. Zamknij drzwiczki i naciśnij przycisk **START/Pauza** i zamknij drzwiczki w przeciągu 4 sekund. Cykl będzie kontynuowany od momentu, w którym został przerwany.

PRZYPADKOWE PRZERWANIE CYKLU

Jeżeli drzwiczki zostaną otwarte w trakcie trwania cyklu zmywania lub jeśli nastąpiła przerwa w dopływie prądu, cykl zostanie wstrzymany. Zamknij drzwiczki i **JEDYNIÉ WÓWCZAS, GDY** naciśniesz przycisk **START/Pauza** i zamkniesz drzwiczki w przeciągu 4 sekund, cykl będzie kontynuowany od momentu, w którym został przerwany.

PORADY I WSKAZÓWKI

PORADY

Przed włożeniem naczyń do kosza, należy usunąć wszystkie resztki jedzenia i opróżnić szklanki. **Nie trzeba ich wcześniej płukać pod bieżącą wodą.** Rozmieść naczynia tak, aby były mocno utrzymywane na miejscu i nie mogły się przewrócić; pojemniki ułożyć tak, aby ich otwory były skierowane w dół, a wkłesłe/wypukłe elementy były ustawione ukośnie, dzięki czemu woda będzie mogła docierać do każdej powierzchni i swobodnie przepływać.

Ostrzeżenie: pokrywki, uchwyty, tace i patelnie nie mogą uniemożliwiać obracania się ramion natryskowych.

Wszystkie małe przedmioty należy umieszczać w koszyku na sztućce.

Bardzo zabrudzone naczynia i patelnie powinny być umieszczane w dolnym koszu, ponieważ w tej części komory zmywarki strumienie wody są silniejsze i zmywanie jest bardziej skuteczne.

Po włożeniu naczyń do zmywarki trzeba sprawdzić, czy ramiona natryskowe mogą obracać się swobodnie.

NACZYŃIA NIE NADAJĄCE SIĘ DO ZMYWANIA W ZMYWARKACH

- Naczynia i sztućce drewniane.
 - Szklanki z delikatnym zdobieniem, wyroby artystyczne lub naczynia artystyczne. Ich zdobienia nie są odporne.
 - Elementy z tworzywa sztucznego, które nie są odporne na wysokie temperatury.
 - Naczynia miedziane i cynowe.
 - Naczynia zabrudzone popiołem, woskiem, smarem lub tuszem.
- Kolory szklanych dekoracji oraz aluminiowe/srebrne części mogą zmienić się lub ściemnieć podczas zmywania. Niektóre rodzaje wyrobów szklanych (np. kryształ) mogą stracić przezroczystość po zbyt wielu cyklach zmywania.

USZKODZENIE NACZYŃ SZKLANYCH I PORCELANOWYCH

- W zmywarkach można myć tylko takie naczynia szklane i porcelanowe, których producent deklaruje, że są przeznaczone do zmywarek.
- Używać delikatnego detergentu, przeznaczonego do porcelany
- Naczynia szklane i porcelanowe należy wyjmować ze zmywarki, jak tylko zmywanie się skończy.

WSKAZÓWKI DOTYCZĄCE OSZCZĘDZANIA ENERGII

- Jeśli zmywarka domowa użytkowana jest zgodnie z zaleceniami producenta, **zmywanie naczyń w zmywarce zazwyczaj pochłania MNIEJ ENERGII ELEKTRYCZNEJ i mniej wody niż zmywanie ręczne.**
- Aby maksymalnie zwiększyć wydajność zmywarki, **należy uruchamiać cykl zmywania po pełnym załadowaniu urządzenia.** Ładowanie zmywarki domowej w stopniu zalecanym przez producenta przyczyni się do oszczędności energii elektrycznej i wody. Informacje na temat prawidłowego ładowania naczyń w zmywarce można odnaleźć w rozdziale ŁADOWANIE KOSZY. W przypadku częściowego załadowania, zaleca się skorzystanie ze specjalnych opcji, jeśli są one dostępne (Połowa załadunku/ Zmywanie strefowe/ Wiele stref), zapewniając jedynie wybrane kosze. Nieprawidłowe lub nadmierne ładowanie zmywarki może spowodować zwiększenie zużycia mediów (np. wody, energii, czasu lub zwiększenie poziomu hałasu), co wpływa negatywnie na wydajność suszenia.
- Ręczne spłukiwanie naczyń przyczyni się do większego zużycia wody i energii elektrycznej i nie jest zalecane.










DEZYNFEKCJA ZMYWARKI

Aby uniknąć powstawania nieprzyjemnych zapachów i tworzenia się osadów, które mogą pojawić się w zmywarce, **należy co najmniej raz w miesiącu włączyć program z wysoką temperaturą.** Aby wyczyścić zmywarkę, należy wysypać/wlać jedną łyżeczkę detergentu i włączyć program bez wkładania naczyń.

ODPORNOŚĆ NA NISKIE TEMPERATURY

Jeśli urządzenie jest umieszczone w środowisku narażonym na ryzyko niskich temperatur, **należy je całkowicie opróżnić z wody.** Zamknij zawór wody i odłącz wąż doprowadzający wodę oraz wąż spustowy, a następnie pozwól na wypłynięcie z nich wody. **Sprawdź, czy ze zmiekczaczy wody jest wypełniony rozpuszczoną solą regeneracyjną w zbiorniku soli,** aby chronić urządzenie przed temperaturami aż do -20 °C. Jeżeli urządzenie było przechowywane w warunkach niskich temperatur, przed pierwszym uruchomieniem musi ono pozostać w temperaturze otoczenia wynoszącej min. 5°C przez przynajmniej 24 godziny.

TABELA PROGRAMÓW

Program	Opis programów	Faza suszenia Natural-Dry	Dostępne opcje *)	Czas trwania programu zmywania (godz.:min)**)	Zużycie wody (litry/cykl)	Zużycie energii (kWh/cykl)	
P1 Eco	Eko 50° - program jest przeznaczony do mycia naczyń o zwykłym stopniu zabrudzenia; dla tego zastosowania jest to najbardziej wydajny program pod względem zużycia energii elektrycznej i wody oraz w takim zastosowaniu program ten uzyskał certyfikat zgodności z dyrektywą unijną Ecodesign.	✓	✓	POWER CLEAN 1/2 + ⌚	4:00	9,5	0,64
P2 	Intensywny Automatyczny 65° - Automatyczny program do zmywania mocno zabrudzonych garnków i talerzy.	✓	✓	POWER CLEAN 1/2 + ⌚	2:25-3:10	15,5-24,5	1,30-1,70
P3 	Mieszany Automatyczny 55° - automatyczny program do normalnie zabrudzonych naczyń z zaschniętymi resztkami jedzenia.	✓	✓	POWER CLEAN 1/2 + ⌚	1:20-3:00	7,5-19,5	0,75-1,20
P4 	Szybki Automatyczny 50° - automatyczny program do średnio i lekko zabrudzonych naczyń. Cykl do codziennego stosowania, który zapewnia optymalne rezultaty zmywania i suszenia w krótszym czasie.	✓	✓	POWER CLEAN 1/2 + ⌚	1:00-1:50	7,5-15,5	0,70-1,10
P5 	Szybki 45° - Program należy stosować przy połowie załadunku lub lekko zabrudzonych naczyniach, na których nie zalegają resztki jedzenia. Nie ma fazy suszenia.	-	✓	1/2 + ⌚	0:30-0:40	10-12	0,55-0,65
P6 	Kryształ 45° - Program do mycia delikatnych naczyń, które są bardziej wrażliwe na wysoką temperaturę, np. szklanki i kubeczki.	✓	✓	1/2 + ⌚	1:40-1:50	12,5-16,5	0,95-1,20
P7 	Cichy 55° - Odpowiedni do zmywania w nocy. Zapewnia optymalne rezultaty zmywania i suszenia przy najniższej emisji hałasu.	✓	✓	+ ⌚	3:50-4:10	10,5-14,5	0,80-1,15
P8 	Dezynfekujący 65° - Średnio lub bardzo zabrudzone naczynia, z dodatkowym działaniem antybakteryjnym. Można wykorzystywać do wykonania czynności związanych z konserwacją zmywarki.	✓	-	POWER CLEAN 1/2 + ⌚	1:55-2:10	12-19	1,40-1,80
P9 	Mycie wstępne - Opłukiwanie naczyń przeznaczonych do późniejszego mycia. W tym programie nie używa się żadnego detergentu.	-	✓	1/2 ⌚	0:12	4,5	0,10
P10 	Samoczyszczenie 65° - Program przeznaczony do przeprowadzania konserwacji zmywarki, tylko w przypadku gdy zmywarka jest PUSTA, z zastosowaniem specjalnych detergentów służących do konserwacji zmywarki.	-	-	⌚	1:15	11,0	1,10

Dane Programu Eko uzyskano na podstawie pomiarów wykonanych w warunkach laboratoryjnych zgodnie z normą europejską EN 60436:2020.

Uwaga dla laboratoriów testowych: szczegółowe informacje dotyczące warunków testów porównawczych EN można uzyskać pod adresem:

dw_test_support@whirlpool.com

Przed każdym z tych programów nie ma potrzeby wstępnego przygotowania naczyń.

*) Nie wszystkie opcje mogą być używane jednocześnie.

**) Wartości podane dla innych programów niż program Eko mają charakter referencyjny. Rzeczywisty czas może się zmieniać w zależności od wielu czynników, takich jak temperatura i ciśnienie dopływającej wody, temperatura otoczenia, ilość detergentu, wielkość i typ załadunku oraz jego wyważenie, a także od dodatkowo wybranych opcji i kalibracji czujnika. Kalibracja czujnika może wydłużyć czas trwania programu aż o 20 min.

OPCJE I FUNKCJE

OPCJE można wybierać/ anulować wybór bezpośrednio po wybraniu programu, naciskając odpowiedni przycisk (jeśli jest dostępna – zapala się kontrolka) (patrz PANEL STEROWANIA). Jeśli dana opcja nie może być używana z wybranym programem (patrz TABELA PROGRAMÓW), odpowiednia dioda LED migie szybko 3 razy i będzie słycać sygnał dźwiękowy. Opcja nie zostanie włączona. Opcja może zmienić czas lub zużycie wody lub energii dla programu.

POWER CLEAN® - Dzięki dodatkowym silnym dyszom ta opcja zapewnia bardziej intensywne i dokładne mycie w koszu dolnym, w określonym jego obszarze. Opcja ta jest polecana do mycia garnków i patelni. (Prosimy zapoznać się z częścią dotyczącą obciążenia Power Clean®).

1/2 POŁOWA ZAŁADUNKU - Jeśli nie ma wielu naczyń do zmywania, używany jest program połowy załadunku, w celu oszczędzania wody, energii elektrycznej lub czasu, w zależności od wybranego programu.

Należy pamiętać, aby zmniejszyć ilość detergentu.

||||+ DODATKOWE SUSZENIE - Wyższa temperatura podczas ostatniego płukania i przedłużona faza suszenia pozwala na lepsze suszenie. Opcja DODATKOWE SUSZENIE powoduje wydłużenie cyklu zmywania.

⌚ OPÓŹNIENIE - Włączenie programu można opóźnić o pewien czas, od 30 minut do 24 godzin.

1. Wybrać program i którąkolwiek z żądanych opcji. Nacisnąć przycisk OPÓŹNIENIE (kilkukrotnie), aby opóźnić rozpoczęcie programu. Dostępna jest regulacja w zakresie od pół godziny do 24 godzin. Gdy osiągnięte zostanie ustawienie 24 godzin, wcisnąć przycisk OPÓŹNIENIE kolejny raz, aby dezaktywować funkcję OPÓŹNIENIE.

2. Wcisnąć przycisk START/Pauza i zamknąć drzwi w przeciągu 4 sek. Zegar zacznie odliczanie.

3. Po upływie ustawionego czasu kontrolka gaśnie, a program włącza się automatycznie.

Funkcja OPÓŹNIENIE nie może być ustawiana po włączeniu się programu.

WYKRYWANIE - kiedy czujnik wykryje poziom zabrudzenia, na wyświetlaczu pojawi się animacja (około 20 min.), a długość cyklu zmywania zostanie zaktualizowana. Funkcja wykrywania służy do pomiaru poziomu zabrudzenia naczyń i jest ona obecna we wszystkich cyklach (z wyjątkiem trybu Eco), dostosowując odpowiednio program.

ŚWIATŁO SKIEROWANE NA PODŁOGĘ - Lampka LED świecąca na podłogę wskazuje, że zmywarka działa. Lampka wyłącza się po zakończeniu cyklu. Ta funkcja jest domyślnie ustawiona jako aktywna, jednak można ją wyłączyć w "MENU USTAWIEN".


NaturalDry - to konwekcyjny system suszenia, który automatycznie otwiera drzwiczki podczas/ po fazie suszenia, aby zapewnić doskonałe rezultaty suszenia każdego dnia. Drzwiczki można otworzyć po osiągnięciu temperatury bezpiecznej dla mebli kuchennych, zatem przy użyciu opcji DEZYNFEKCJA drzwiczki będą zablokowane.

Do zmywarki dołączono specjalnie zaprojektowaną folię ochronną która pełni funkcję dodatkowej ochrony przed parą.

Prosimy zapoznać się z INSTRUKCJĄ INSTALACJI, aby dowiedzieć się, jak zamontować folię ochronną. Ta funkcja jest domyślnie ustawiona jako aktywna, jednak można ją wyłączyć w "MENU USTAWIEN".

ODKAMINIENIE - Alarm - Wykryto nagromadzenie kamienia na wewnętrznych elementach urządzenia. Sprawdzić, czy **Ustawienie Twardości Wody** ma prawidłową wartość, a **sól** jest obecna w pojemniku na sól (patrz PIERWSZE UŻYCIĘ), a następnie **użyć produktu do odkamieniania** (zalecana marka WPro) i włączyć program **Samoczyszczenie**. Po udanym odkamienianiu ikona nie będzie już wyświetlana.

Jeśli opisane powyżej czynności nie zostaną wykonane, wydajność maszyny się pogorszy. Ostrzeżenie «Odkamienianie» zacznie mrugać, a alarm «dES» pojawi się na wyświetlaczu. Jeśli nadal nie podjęte zostanie żadne działanie, urządzenie umożliwi włączenie jedynie pewnej ilości cykli (wskazanej podczas wyświetlania alarmu «dES») a następnie zostanie **ZABLOKOWANE**, aby zapobiec uszkodzeniom elementów urządzenia, a **dostępny będzie jedynie program Samoczyszczenie**. Przeprowadzenie pełnego odkamieniania odblokuje urządzenie. W przypadku wyjątkowo dużych ilości kamienia, możliwe, że trzeba będzie wykonać odkamienianie dwa razy, aby było skuteczne.

 **ULUBIONY PROGRAM** - Ulubiony program można zapisać i będzie łatwo dostępny. Znaleźć program przy użyciu przycisku **POPZEDNI/NASTĘPNY**, a następnie wcisnąć i przytrzymać przycisk Ulubionego programu przez 3 sekundy.

 **ZAWÓR WODY ZAMKNIĘTY - Alarm** - Miga, gdy nie jest doprowadzana woda lub zawór wody jest zamknięty.

ŁADOWANIE KOSZY

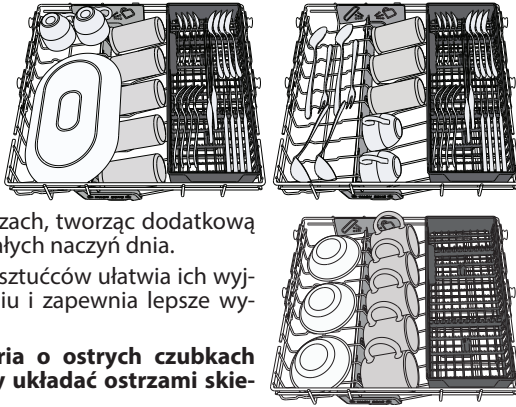
POJEMNOŚĆ: 14 standardowych nakryć

NAJWYŻSZY KOSZ

Najwyższy kosz zapewnia strefę zmywania przeznaczoną do zmywania misek, kubków, a nawet dużych talerzy i naczyń stołowych, które normalnie można załadować w dolnych koszach, tworząc dodatkową przestrzeń dla pozostałych naczyń dnia.

Rozdzielone ułożenie sztućców ułatwia ich wyjmowanie po zmywaniu i zapewnia lepsze wysuszenie.

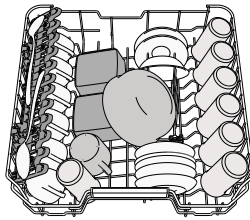
Noże i inne akcesoria o ostrych czubkach i krawędziach należy układać ostrzami skierowanymi w dół.



GÓRNY KOSZ

Tu należy wkładać delikatne i lekkie naczynia: szklanki, filiżanki, talerzki, małe miseczki do sałatek. Górny kosz jest wyposażony w podnoszone wsporniki, które mogą być używane w pozycji pionowej przy wkładaniu spodeczków/talerzyków deserowych lub w pozycji opuszczonej, przy wkładaniu misek i pojemników na żywność.

(przykładowe załadowanie górnego kosza)

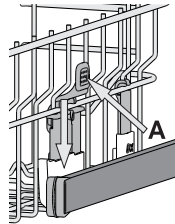


Regulacja wysokości górnego kosza

Wysokość górnego kosza można wyregulować: wyższe położenie umożliwia umieszczenie dużych naczyń w dolnym koszu, a niższe pozwala na najwyższe ustawienie podnoszonych wsporników, co daje więcej miejsca u góry, a jednocześnie pozwala uniknąć stykania się z naczyniami umieszczonymi w dolnym koszu.

Górny kosz jest wyposażony w **regulator wysokości górnego kosza** (patrz ilustracja); bez naciskania dźwignek, można łatwo podnieść kosz trzymając go za boczne części i umieszczając stabilnie w górnym położeniu. Aby przywrócić dolne położenie, nacisnąć dźwigniki **A** po bokach kosza i przesunąć kosz w dół.

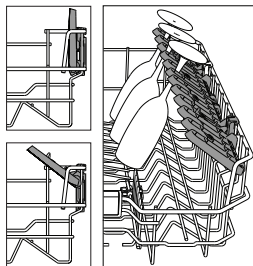
Zdecydowanie zalecamy, aby nie regulować wysokości kosza, gdy jest załadowany. NIGDY nie podnosić lub opuszczać kosza tylko z jednej strony.



Składane półeczki z regulowanym położeniem

Boczne składane kłapy można złożyć lub rozłożyć, aby zoptymalizować ułożenie naczyń w koszyku. Kieliszki do wina można bezpiecznie umieścić, wkładając nóżkę każdego kieliszka do odpowiedniego otworu. W zależności od modelu:

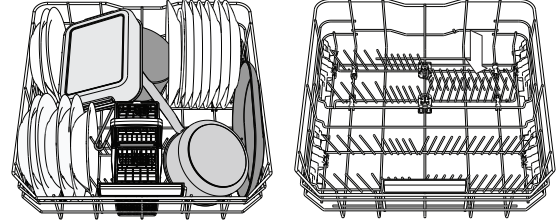
- aby rozłożyć kłapy, należy wysunąć je do góry i obrócić lub zwolnić z zatrzasków i pociągnąć do dołu.
- aby złożyć kłapy, należy obrócić je i wsunąć je do dołu lub wyciągnąć do góry i zamocować do zatrzasków.



DOLNY KOSZ

Do garnków, pokrywek, talerzy, misek do sałatek, sztućców itp. Duże talerze i pokrywki powinny być umieszczane z boku, aby uniknąć stykania się z ramieniem natryskowym.

Dolny kosz jest wyposażony w podnoszone wsporniki, które mogą być używane w położeniu pionowym przy wkładaniu talerzy lub w położeniu poziomym, aby ułatwić wkładanie patelni i misek.



(przykładowe załadowanie dolnego kosza)

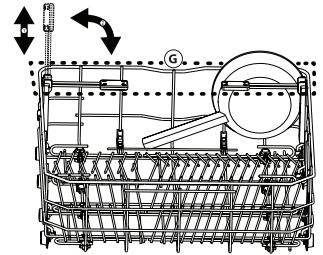
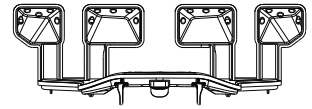
POWER CLEAN®

System Power Clean® wykorzystuje specjalne dysze wodne znajdujące się z tyłu komory, które pozwalają na intensywne mycie bardzo zabrudzonych naczyń. Dolny kosz posiada miejsce do umieszczania dużych przedmiotów. Z tyłu kosza znajduje się specjalny wysuwany wspornik, który może być używany do podparcia patelni lub blach do pieczenia i ustawienia ich pionowo, dzięki czemu będą zajmowały mniej miejsca.

Umieszczając garnki/patelnie skierowane w stronę elementu Power Clean®, należy włączyć **POWER CLEAN** na panelu sterowania.

Stosowanie opcji Power Clean®:

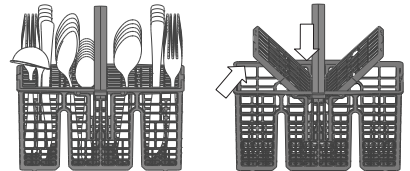
1. Dostosować obszar Power Clean (**G**), składając tylne uchwyty w taki sposób, aby móc włożyć garnki.
2. Włożyć przechylone w pionie garnki i patelnie w obszar Power Clean®. Garnki muszą być zwrócone w kierunku silnych dysz wodnych.



Koszyk na sztućce

Koszyk jest wyposażony w górne kratki, które pozwalają na lepsze rozmieszczenie sztućców. Koszyk na sztućce powinien być umieszczony tylko w przedniej części dolnego kosza.

Noże i inne akcesoria o ostrych czubkach i krawędziach należy wkładać do koszyka na sztućce ostrzami skierowanymi w dół lub układać je poziomo na podnoszonych półeczkach, w górnym koszu.



UTRZYMANIE I KONSERWACJA

CZYSZCZENIE ZESPOŁU FILTRA

Zespół filtra należy regularnie czyścić, zapobiegając jego zapychaniu i zapewniając prawidłowy odpływ ścieków.

Używanie zmywarki, w której zablokowane są filtry lub zawierającej ciała obce w układzie filtrowania może spowodować nieprawidłowe działanie urządzenia, co prowadzi do obniżenia wydajności, głośnej pracy lub większego wykorzystania mediów.

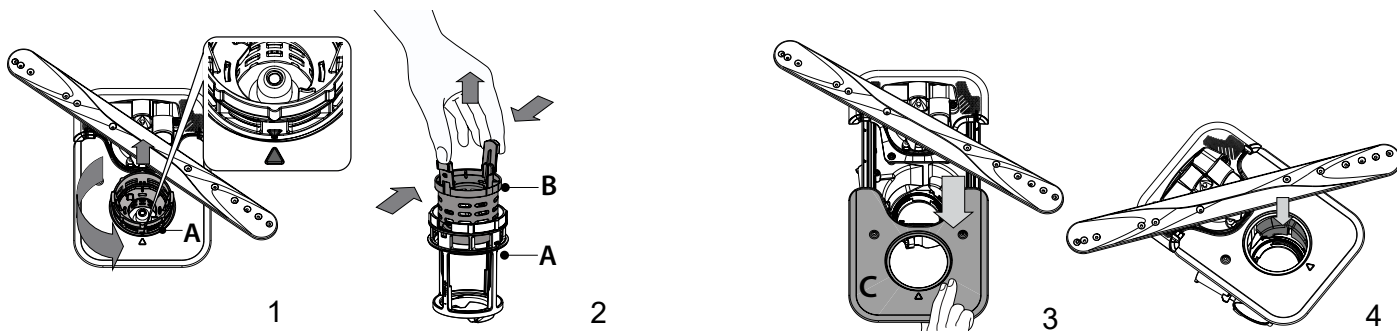
Zespół filtra składa się z trzech filtrów, które usuwają resztki jedzenia z myjącej wody, a następnie umożliwiają jej obieg: aby uzyskać najlepsze rezultaty zmywania, należy utrzymywać je w czystości.

Nie wolno używać zmywarki bez filtrów lub jeśli filtry są źle zamocowane.

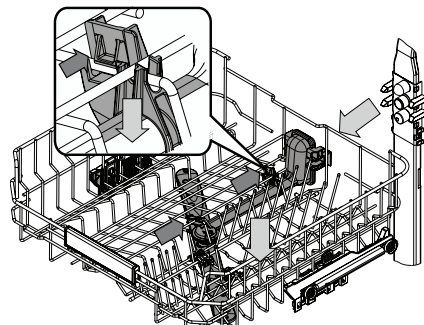
Co najmniej raz na miesiąc lub po każdym 30 cyklach zmywania należy sprawdzić zespół filtra i w razie potrzeby oczyścić go dokładnie pod bieżącą wodą za pomocą szczoteczki z nie-metalowym włosiem i postępując zgodnie z poniższymi instrukcjami:

1. Odkręcić filtr cylindryczny **A** w kierunku ruchu wskazówek zegara i wyciągnąć go (Rys. 1). **Ważne jest, aby przy ponownym montażu filtra, dwa trójkąty pokazane na zbliżeniu, spotkały się.**
2. Zdjąć korek filtra **B** lekko naciskając boczne kłapki (Rys. 2).
3. Wsunąć filtr płytkowy ze stali nierdzewnej **C** (Rys. 3).
4. W przypadku odnalezienia ciał obcych (np. potłuczonego szkła, porcelany, kości, pestek owoców itp.), **należy je ostrożnie wyjąć.**
5. Sprawdzić syfon i usunąć wszelkie resztki potraw. **NIGDY NIE NALEŻY WYJMOWAĆ osłony pompy cyklu myjącego (pokazane strzałką) (Rys. 4).**

Po oczyszczeniu filtrów założyć z powrotem zespół filtra i zamocować go w prawidłowym położeniu; jest to niezbędne dla utrzymania sprawnego funkcjonowania zmywarki.

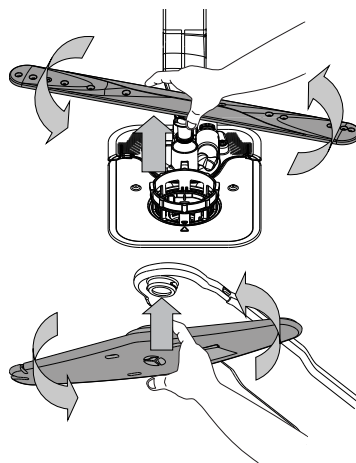


CZYSZCZENIE RAMION NATRYSKOWYCH



Może się zdarzyć, że resztki potraw pozostaną na ramionach natryskowych i będą zatykać otwory, przez które wytryskiwana jest woda. Dlatego też zaleca się, aby od czasu do czasu sprawdzić ramiona natryskowe i oczyścić je małą szczoteczką z nie-metalowym włosiem.

Aby usunąć spryskiwacz górny, usuń go z kolektorem.



Dolne ramie natryskowe można wyjmować pociągając je w górę i obracając je w kierunku przeciwnym do wskazówek zegara. Ponowne osadzenie ramienia natryskowego odbywa się poprzez pociągnięcie go w dół i obrócenie go w kierunku zgodnym z ruchem wskazówek zegara.

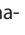
Górne ramie natryskowe można wyjmować wciskając je w górę i obracając je w kierunku przeciwnym do wskazówek zegara. Ponowne osadzenie ramienia natryskowego odbywa się poprzez pociągnięcie go w górę i obrócenie go w kierunku zgodnym z ruchem wskazówek zegara.

Najwyższy kosz ma stałą rurę myjącą ze wszystkimi dyszami myjącymi skierowanymi do góry. Aby ją wyczyścić, można wysunąć półkę i pęsetą usunąć przedmioty, które mogły utknąć w dyszach.

USUWANIE USTEREK

Jeśli zmywarka nie działa prawidłowo, należy sprawdzić czy problem można rozwiązać wykonując czynności opisane poniżej. W przypadku błędów lub problemów prosimy skontaktować się z zakładem serwisowym, którego dane kontaktowe można odnaleźć w książeczce gwarancyjnej. Części zamienne będą dostępne przez okres do 7 lub do 10 lat, zgodnie z określonymi wymaganiami rozporządzenia.

PROBLEMY	MOŻLIWE PRZYCZYNY	ROZWIĄZANIE
Świeci się wskaźnik soli	Zbiornik soli jest prawie pusty.	Napełnij zbiornik solą (aby uzyskać więcej informacji, patrz NAPEŁNIANIE ZBIORNIKA SOLI). W razie potrzeby sprawdź ustawienie twardości wody, patrz TABELA TWARDOŚCI WODY .
Wskaźnik soli miga	Zbiornik soli jest pusty.	Jak najszybciej napełnij zbiornik solą. Używanie urządzenia bez soli może spowodować uszkodzenie jego podzespołów wewnętrznych.
Wskaźnik płynu nabyłszycającego świeci się lub miga	Dozownik płynu nabyłszycającego jest pusty. (Po ponownym napełnieniu wskaźnik płynu nabyłszycającego może pozostać zapalony przez krótki czas).	Ponownie napełnij dozownik płynem nabyłszycającym (aby uzyskać więcej informacji, patrz NAPEŁNIANIE DOZOWNIKA PŁYNU NABYLSZYCAJĄCEGO).
Wskaźnik odkamieniania świeci się lub miga; wyświetlany jest alarm „dES”.	Na wewnętrznych podzespołach urządzenia osadza się kamień.	Natychmiast usuń kamień z urządzenia korzystając z programu Samoczyszczenie i dostępnego na rynku preparatu do usuwania kamienia (patrz OPCJE I FUNKCJE). Ponownie napełnij zbiornik solą. Sprawdź ustawienie twardości wody. Jeśli urządzenie nie zostanie odkamienione, przestanie działać.
Zmywarka nie włącza się lub nie reaguje na polecenia.	Urządzenie nie zostało prawidłowo podłączone do zasilania.	Włóż wtyczkę przewodu zasilającego do gniazdka.
	Przerwa w dopływie prądu.	Ze względów bezpieczeństwa, zmywarka nie uruchomi się ponownie automatycznie po przywróceniu zasilania. Otwórz drzwiczki zmywarki, naciśnij przycisk START/Pauza i zamknij drzwiczki w przeciągu 4 sekund.
	Drzwiczki zmywarki nie są zamknięte. Sworzeń NaturalDry nie jest wsunięty.	Energicznie popchnij drzwiczki aż do usłyszenia “kliknięcia”.
	Cykl zostaje przerwany przez otwarcie drzwi przez ponad 4 sekundy.	Naciśnij przycisk START/Pauza i zamknij drzwiczki w przeciągu 4 sekund.
	Panel sterowania nie odpowiada lub wyświetlany jest komunikat F6 E1 .	Wyłącz urządzenie, naciskając przycisk WŁ.-WYŁ./RESET, po około jednej minucie z powrotem je włącz i ponownie uruchom program. Jeśli problem nadal występuje, odłącz urządzenie na 1 minutę, a następnie podłącz je z powrotem.
Zmywarka nie odpompowuje wody. Na wyświetlaczu widoczny jest komunikat: F7 E3 lub F9 E1	Filtr jest zatkany resztkami potraw lub kamieniem.	Oczyść filtr i usuń kamień z urządzenia (patrz CZYSZCZENIE ZESPOŁU FILTRA I INSTRUKCJA ODKAMINIENIA).
	Wąż odpływowy jest zagięty.	Sprawdź wąż odpływowy (patrz INSTRUKCJA INSTALACJI).
	Rura odpływu zlewu jest zatkana.	Oczyść rurę odpływu w zlewie.
Zmywarka powoduje nadmierny hałas.	Naczynia stukają się między sobą.	Prawidłowo rozmieść naczynia (patrz ŁADOWANIE KOSZY).
	Występuje nadmierna ilość piany.	Porcja detergentu nie została poprawnie odmierzona, albo detergent nie nadaje się do stosowania w zmywarkach (patrz NAPEŁNIANIE DOZOWNIKA DETERGENTU). Ponownie uruchom bieżący cykl poprzez WYŁĄCZENIE zmywarki, następnie włącz ją ponownie, wybierz nowy program, naciśnij przycisk START/Pauza i zamknij drzwiczki w przeciągu 4 sekund. Nie dodawaj żadnego detergentu.
	Naczynia nie zostały prawidłowo rozmieszczone.	Prawidłowo rozmieść naczynia (patrz ŁADOWANIE KOSZY).
	Filtr jest zatkany resztkami potraw lub kamieniem.	Oczyść zespół filtra (patrz UTRZYMANIE I KONSERWACJA).

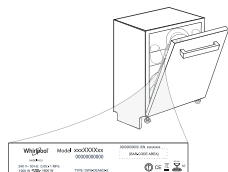
PROBLEMY	MOŻLIWE PRZYCZYNY	ROZWIĄZANIE
Naczynia nie są czyste.	Naczynia nie zostały prawidłowo rozmieszczone.	Prawidłowo rozmieść naczynia (patrz ŁADOWANIE KOSZY).
	Ramiona natryskowe nie mogą obracać się swobodnie, zaczepiają się o naczynia.	Prawidłowo rozmieść naczynia (patrz ŁADOWANIE KOSZY). Sprawdzić, czy górny kosz jest w prawidłowym położeniu i w razie potrzeby wyreguluj (podnieś).
	Cykl zmywania jest zbyt delikatny.	Wybierz odpowiedni cykl zmywania (patrz TABELA PROGRAMÓW).
	Występuje nadmierna ilość piany.	Porcja detergentu nie została poprawnie odmierzona, albo detergent nie nadaje się do stosowania w zmywarkach (patrz NAPEŁNIANIE DOZOWNIKA DETERGENTU).
	Pokrywka przegródki na płyn nablyszczający nie została prawidłowo zamknięta.	Upewnij się, czy dozownik płynu nablyszczającego jest zamknięty.
	Filtr jest zatkany resztkami potraw lub kamieniem.	Oczyść filtr i usuń kamień z urządzenia (patrz CZYSZCZENIE ZESPOŁU FILTRA).
	Zbiornik soli jest pusty.	Napełnij zbiornik soli (patrz NAPEŁNIANIE ZBIORNIKA SOLI).
Zmywarka nie napelnia się wodą. Na wyświetlaczu widoczny jest komunikat: H2O i  się świeci; rozlega się alarm akustyczny.	Brak wody w sieci wodociągowej lub zawór jest zamknięty.	Sprawdź, czy woda dopływa z sieci wodociągowej lub czy zawór wody jest otwarty.
	Wąż dopływowy wody jest zagięty.	Sprawdź wąż dopływowy (patrz INSTRUKCJA INSTALACJI). Otwórz drzwiczki zmywarki, naciśnij przycisk START/Pauza i zamknij drzwiczki w przeciągu 4 sekund.
	Filtr siatkowy w węży dopływowy wody jest zapchany; niezbędne jest jego oczyszczenie.	Sprawdź i oczyść filtr siatkowy w węży dopływowy wody. Otwórz drzwiczki zmywarki, naciśnij przycisk START/Pauza i zamknij drzwiczki w przeciągu 4 sekund.
Zmywarka kończy cykl przedwcześnie. Na wyświetlaczu widoczny jest komunikat: F8 E3	Filtr jest zatkany resztkami potraw lub kamieniem.	Oczyść filtr i usuń kamień z urządzenia (patrz CZYSZCZENIE ZESPOŁU FILTRA i INSTRUKCJA ODKAMIENIANIA).
	Wąż odpływowy ustawiony zbyt nisko lub odprowadzanie wody za pomocą syfonu do domowej sieci kanalizacyjnej.	Sprawdź czy końcówka węża odpływowego jest ustawiona na odpowiedniej wysokości (patrz INSTRUKCJA INSTALACJI). Sprawdź czy woda nie jest odprowadzana za pomocą syfonu do domowej sieci kanalizacyjnej, i w razie potrzeby zamontować przerywacz syfonu/zawór napowietrzający.
	Występuje nadmierna ilość piany.	Porcja detergentu nie została poprawnie odmierzona, albo detergent nie nadaje się do stosowania w zmywarkach (patrz NAPEŁNIANIE DOZOWNIKA DETERGENTU).
	Powietrze w instalacji doprowadzenia wody.	Sprawdź czy w instalacji wodnej nie ma nieszczelności lub innych problemów umożliwiających dostęp powietrza.
Naczynia nie są dobrze wysuszone.	Brak płynu nablyszczającego lub dawka jest zbyt mała.	Upewnij się, że dozownik płynu nablyszczającego jest napełniony (patrz NAPEŁNIANIE DOZOWNIKA PŁYNU NABLYSZCZĄCEGO). Same tabletki wielofunkcyjne do zmywarek nie zapewnią tak dobrych efektów suszenia, jak rzeczywiste używanie płynu nablyszczającego.
	Naczynia zostały wyładowane po automatycznym otwarciu drzwi, ale przed faktycznym zakończeniu cyklu.	Przed rozpoczęciem rozładowywania naczyń należy upewnić się, że cykl zakończył się (patrz CODZIENNA EKSPLOATACJA). W celu uzyskania jeszcze lepszych rezultatów suszenia zaleca się pozostawienie naczyń wewnątrz zmywarki z otwartymi drzwiami przez dodatkowe 15 minut po zakończeniu cyklu.
	Naczynia są ulokowane zbyt płasko.	W przypadku zauważenia kałuży wody w zagłębieniach filiżanek, kubków lub misek, spróbuj załadować naczynia (zwłaszcza w górnym koszu), tak aby zapewnić większe nachylenie, w celu umożliwienia ściekania większej ilości wody przed rozpoczęciem suszenia.
	Wybrany cykl nie posiada fazy suszenia.	Prosimy sprawdzić w TABELI PROGRAMÓW, czy wybrany program jest wyposażony w fazę suszenia. Cykl bez fazy suszenia może nie zapewniać pożądanej wydajności suszenia, dlatego zaleca się zmianę wyboru cyklu na ten, który posiada fazę suszenia.
	Naczynia są wykonane z tworzywa sztucznego lub materiału antyadhezyjnego.	Trochę kropelek wody, pozostających na tego typu materiale, jest zjawiskiem normalnym.
Naczynia i szklanki mają niebieskie smugi lub niebieskawe odcienie.	Dozowanie płynu nablyszczającego jest nadmierne.	Zmień dozowanie na niższe ustawienia.
Naczynia i szklanki są pokryte wapiennym lub białawą warstwą.	Zbiornik soli jest pusty.	Jak najszybciej napełnij zbiornik solą. Używanie urządzenia bez soli może spowodować uszkodzenie jego podzespołów wewnętrznych.
	Twardość wody jest ustawiona na zbyt niską twardość.	Zwiększ ustawienie (patrz TABELA TWARDOŚCI WODY).
	Pokrywka zbiornika soli nie jest dokładnie zamknięta.	Sprawdź i zamknij pokrywkę zbiornika soli.
	Zbiornik płynu nablyszczającego jest pusty lub dozowanie płynu nablyszczającego jest niewystarczające.	Ponownie napełnij dozownik płynem nablyszczającym i sprawdź ustawienie dozowania (aby uzyskać więcej informacji, patrz NAPEŁNIANIE DOZOWNIKA PŁYNU NABLYSZCZĄCEGO).
Zmywarka wyświetla komunikat F8 E5	Zawór jest zablokowany lub uszkodzony.	Jeśli to możliwe, zamknij zawór wody. Nie wyłączaj zasilania. Zadzwoń do serwisu.



Zasady, standardową dokumentację, informacje na temat zamawiania części zamiennych oraz dodatkowe informacje o produkcie można znaleźć:

- Używając kodu QR i odwiedzając naszą stronę internetową: docs.whirlpool.eu/docs
- Odwiedzając naszą stronę internetową: parts-selfservice.europeanappliances.com
- Ewentualnie można skontaktować się z naszą obsługą posprzedażową (patrz numer telefonu w książeczce gwarancyjnej). Kontaktując się z naszą obsługą posprzedażową, należy podać kody zamieszczone na tabliczce identyfikacyjnej produktu.

Informacje o modelu można uzyskać przy pomocy kodu QR podanego na etykiecie energetycznej. Etykieta zawiera również identyfikator modelu, którego można użyć do znalezienia informacji na portalu rejestru pod adresem <https://eprel.ec.europa.eu>.





OBRIgADO POR TER ADQUIRIDO UM PRODUTO WHIRLPOOL.
Para beneficiar de uma assistência mais completa, registre o seu aparelho em: www.whirlpool.eu/register

Antes de utilizar o aparelho, leia atentamente as instruções de instalação e de segurança. Mais informações sobre o seu produto disponíveis no website: docs.whirlpool.eu/docs

⚠ Após a instalação, certifique-se de que remove todas as peças de proteção de transporte da máquina de lavar loiça.

PAINEL DE CONTROLO

1. Botão **LIGAR-DESLIGAR/REINICIAR** com indicador luminoso
2. Botão **programa ANTERIOR**
3. Botão **programa SEGUINTE**
4. Botão **programa FAVORITOS** com indicador luminoso
5. Luz indicadora do depósito de **Sal** vazio
6. Luz indicadora do depósito de **Abrilhantador** vazio
7. Luz indicadora **DESCALCIFICAR**
8. Indicador luminoso de **Torneira de Água Fechada**
9. **Visor**
10. Indicador de **Número de programa e tempo restante**



11. Botão da **opção Power Clean®** com indicador luminoso
12. Botão da **opção Meia Carga** com indicador luminoso/ **Definições** - prima 3 seg.
13. Botão da **opção Secagem Extra** com indicador luminoso
14. Botão da **opção Início diferido** com indicador luminoso
15. Botão **INÍCIO/Pausa** com luz indicadora

PRIMEIRA UTILIZAÇÃO

MENU DE PROGRAMAÇÃO

1. Ligue a máquina premindo o botão **LIGAR/DESLIGAR**.
2. Prima o botão **Definições** (Meia carga) durante 3 segundos, até ouvir um sinal sonoro e o visor apresentar „Set“.
3. Após um segundo, será apresentada a primeira definição disponível (letra „h“).
4. Prima **ANTERIOR</SEGUINTE>** para percorrer a lista de definições disponíveis (ver tabela abaixo), de seguida, prima **INÍCIO/Pausa** para ver e alterar o valor da definição atualmente selecionada.
5. Prima **ANTERIOR</SEGUINTE>** para alterar o valor, de seguida, prima **INÍCIO/Pausa** para guardar o novo valor e regressar ao menu principal.
6. Para alterar para outra definição, repita os pontos 4 e 5.
7. Prima **LIGAR/DESLIGAR** ou aguarde 30 segundos para sair do menu.

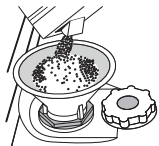
LETRA	PROGRAMAÇÃO	VALORES (Padrão - a negrito)
h	Nível de Dureza da Água (consulte "PROGRAMAÇÃO DO NÍVEL DE DUREZA DA ÁGUA" e "TABELA DE DUREZA DA ÁGUA")	1 2 3 4 5
i	Nível do Abrilhantador (consulte "AJUSTAR A DOSAGEM DE ABRILHANTADOR")	0 1 2 3 4 5
j	NaturalDry (consulte "OPÇÕES E FUNÇÕES") "1" = Ligado, "0" = Desligado	1 0
k	Luz no chão (consulte "OPÇÕES E FUNÇÕES") "1" = Ligado, "0" = Desligado	1 0
l	Som "1" = Ligado, "0" = Desligado	1 0
m	Definições de fábrica Prima INÍCIO/Pausa para repor nas definições de fábrica todos os valores das programações incluídas no menu de programação.	-

ENCHER O DEPÓSITO DO SAL

A utilização de sal evita a formação de calcário na loiça e nos componentes funcionais da máquina.

O depósito de sal está situado na parte inferior da máquina de lavar loiça (por baixo do cesto inferior no lado esquerdo).

- É obrigatório que o **depósito de sal nunca esteja vazio**.
- É importante definir a dureza da água.
- O sal deve ser colocado quando o indicador luminoso **REABASTECIMENTO DO SAL** estiver aceso no painel de comandos.



1. Retire o cesto inferior e desaperte a tampa do depósito (no sentido contrário ao dos ponteiros do relógio).
2. Posicione o funil (ver a figura) e encha o depósito de sal até ao rebordo (aprox. 0,5 kg); é normal que saia alguma água.
3. **Apenas na primeira vez em que o fizer: encha o depósito de sal com água.**

4. Retire o funil e limpe qualquer resíduo de sal da abertura. Certifique-se de que a tampa está bem apertada para que não entre detergente no depósito durante o programa de lavagem (tal pode danificar o amaciador de água de modo irreparável).

Execute um programa de cada vez, assim que completar o enchimento do depósito de sal para evitar a corrosão.

Programação do nível de dureza da água

Para que o amaciador de água funcione corretamente, é essencial que a definição de dureza da água tenha por base a dureza da água existente em sua casa. Pode obter esta informação consultando a empresa de abastecimento de água local.

A definição de fábrica é "3". Consulte "TABELA DE DUREZA DA ÁGUA". Para alterar, siga as instruções na secção "MENU DE PROGRAMAÇÃO".

Tabela de dureza da água

Nível	°dH Graus Alemães	°fH Graus Franceses	°Clark Graus ingleses
1 (macia)	0 - 6	0 - 10	0 - 7
2 (média)	7 - 11	11 - 20	8 - 14
3 (média)	12 - 16	21 - 29	15 - 20
4 (dura)	17 - 34	30 - 60	21 - 42
5 (muito dura)	35 - 50	61 - 90	43 - 62

Se o depósito de sal não for enchido, o amaciador de água e o elemento de aquecimento podem ser danificados em resultado da acumulação de calcário.

Utilize apenas sal especificamente concebido para máquinas de lavar loiça. Depois de colocar o sal na máquina, o indicador luminoso **REABASTECIMENTO DO SAL** apaga-se.

A utilização de sal é recomendada com qualquer tipo de detergente para a máquina de lavar loiça.

SISTEMA DE DESENDURECIMENTO DA ÁGUA

O descalcificador de água reduz automaticamente a dureza da água evitando, conseqüentemente, a acumulação de calcário no aquecedor, e contribuindo também para uma melhor eficiência de limpeza.

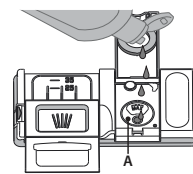
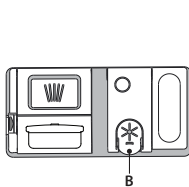
Este sistema regenera-se com sal, portanto, é necessário reabastecer o recipiente de sal sempre que este estiver vazio.

A frequência da regeneração depende da definição do nível de dureza da água - a regeneração ocorre uma vez a cada **4-6** ciclos Eco com uma definição de dureza da água de nível **3**. O processo de regeneração ocorre no início do ciclo com a adição de água fresca.

- Uma única regeneração consome: ~3 litros de água;
- Demora até 5 minutos adicionais para o ciclo;
- Consome menos de 0,005 kWh de energia.

ENCHER O DISTRIBUIDOR DE ABRILHANTADOR

O abrlhantador facilita a SECAGEM da loiça. O distribuidor de abrlhantador **A** deve ser enchido quando o indicador luminoso de **REABASTECIMENTO DO ABRILHANTADOR** no painel de comandos se acender.



1. Abra o distribuidor **B** pressionando e puxando a patilha da tampa.

2. Encha cuidadosamente com abrlhantador até ao entalhe de referência máximo (110 ml) da área de enchimento, evitando derramá-lo. Se isso acontecer, limpe imediatamente com um pano seco.

3. Pressione a tampa para baixo até ouvir um clique de fecho. **NUNCA deite o abrlhantador diretamente na cuba da máquina.**

Ajustar a dosagem de abrlhantador

Se não estiver completamente satisfeito(a) com os resultados da secagem, pode ajustar a quantidade de abrlhantador utilizado.

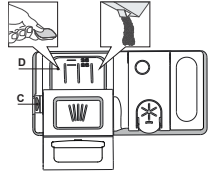
Para alterar, siga as instruções na secção "MENU DE PROGRAMAÇÃO". Se o nível de abrlhantador estiver definido para ZERO, não será distribuído abrlhantador. **O indicador luminoso de POUCO ABRILHANTADOR** não se acende se o abrlhantador acabar.

É possível definir um máximo de **6** níveis, de acordo com o modelo da máquina de lavar loiça

- Se a loiça possuir riscas azuladas, defina um nível baixo (0-3).
- Se existirem gotas de água ou marcas de calcário na loiça, defina um número alto (4-5).

ENCHER O DISTRIBUIDOR DE DETERGENTE

Para abrir o distribuidor de detergente, utilize o dispositivo de abertura C. Coloque o detergente apenas no distribuidor seco D. Coloque a quantidade de detergente para pré-lavagem diretamente na cuba.



1. Para dosar o detergente, consulte as informações anteriormente mencionadas para adicionar a quantidade correta. No interior do distribuidor D, existem indicações que ajudam a dosar o detergente.
2. Elimine os resíduos de detergente dos rebordos do distribuidor e feche a tampa até fazer clique.

3. Feche a tampa do distribuidor de detergente puxando-a para cima até que o dispositivo de fecho esteja fixo no devido local.

O distribuidor de detergente abre-se automaticamente no momento certo, de acordo com o programa.

A utilização de detergentes inapropriados para máquinas de lavar louça poderá causar avarias ou danos no aparelho.

UTILIZAÇÃO DIÁRIA

1. VERIFICAR A LIGAÇÃO AO ABASTECIMENTO DE ÁGUA

Certifique-se de que a máquina de lavar louça está ligada à rede de abastecimento de água e que a torneira está aberta.

2. LIGAR A MÁQUINA DE LAVAR LOIÇA

Abra a porta e prima o botão **LIGAR/DESLIGAR**.

3. CARREGAR OS CESTOS (consultar "COMO COLOCAR A LOIÇA NOS CESTOS")

4. ENCHER O DISTRIBUIDOR DE DETERGENTE

5. SELECIONAR UM PROGRAMA E PERSONALIZAR O CICLO

Selecione o programa mais adequado de acordo com o tipo de louça e o seu nível de sujidade (ver DESCRIÇÃO DOS PROGRAMAS) premindo o botão **ANTERIOR/SEGUINTE** selecionado. Selecione as opções pretendidas (ver OPÇÕES E FUNÇÕES). Nem todas as opções são compatíveis com todos os programas.

6. INICIAR

Inicie o ciclo de lavagem premindo o botão **INÍCIO/Pausa** (o LED acende-se) e feche a porta no espaço de 4 segundos. Quando o programa começar, é emitido um sinal sonoro. Se a porta da máquina não for fechada no espaço de 4 segundos, é emitido um sinal sonoro de aviso. Neste caso, abra a porta, prima o botão **INÍCIO/Pausa** e feche a porta novamente no espaço de 4 segundos.

7. FIM DO CICLO DE LAVAGEM

O final do ciclo de lavagem é indicado por um aviso sonoro e o visor apresenta a mensagem **END (FIM)**. Abra a porta e desligue a máquina premindo o botão **LIGAR/DESLIGAR**.

Aguarde alguns minutos antes de retirar os talheres, a fim de evitar queimaduras. Descarregue os cestos, começando pelo inferior.

ALTERAR UM PROGRAMA EM CURSO

Caso tenha selecionado um programa incorreto, poderá alterá-lo desde que o mesmo tenha começado há pouco tempo. **REINICIALIZAR** a máquina: prima e mantenha premido o botão **LIGAR/DESLIGAR** durante mais de 3 segundos e a máquina irá desligar-se. **O painel de controlo irá apresentar a mensagem "0:01"**. Feche a porta e aguarde até que o ciclo de drenagem termine (cerca de 1 minuto). Abra a porta e ligue novamente a máquina utilizando o botão **LIGAR/DESLIGAR** seleccione o novo ciclo de lavagem e as opções desejadas. Inicie o ciclo premindo o botão **INÍCIO/Pausa** e fechando a porta no espaço de 4 segundos.

ADICIONAR LOIÇA ADICIONAL

Sem desligar a máquina, abra primeiro a porta ligeiramente para evitar salpicos de água (o LED **INÍCIO/Pausa** começa a piscar) (**Atenção! vapor quente!**) e coloque a louça no interior da máquina. Prima o botão **INÍCIO/Pausa** e feche a porta no espaço de 4 segundos para retomar o ciclo no ponto em que foi interrompido.

INTERRUPÇÕES ACIDENTAIS

Se a porta for aberta durante o ciclo de lavagem ou se houver um corte de energia, o ciclo é interrompido. **APENAS SE PREMIR o botão INÍCIO/Pausa** e fechar a porta no espaço de 4 segundos, o ciclo será retomado no ponto em que foi interrompido.

CONSELHOS E SUGESTÕES

CONSELHOS

Antes de carregar os cestos, elimine todos os restos de comida da louça e esvazie os copos. **Não é necessário passar previamente a louça por água corrente.**

Disponha a louça de modo a que fique firme e não vire; disponha os recipientes com as aberturas voltadas para baixo e os elementos côncavos/convejos na diagonal, a fim de permitir que a água chegue a toda a superfície e flua facilmente.

Aviso: as tampas, as pegas, os tabuleiros e as frigideiras não impedem a rotação dos braços aspersores.

Coloque os objetos pequenos no cesto dos talheres.

A louça e os tachos muito sujos devem ser colocados no cesto inferior, uma vez que nesta área a aspersão de água é mais intensa e permite obter melhores resultados de lavagem.

Depois de carregar a máquina, certifique-se de que os braços aspersores conseguem rodar livremente.

LOIÇA INADEQUADA

- Louça e talheres de madeira.
- Copos frágeis com decoração, artesanato artístico ou louça antiga. As decorações não são resistentes.
- Peças de material sintético que não resistam a temperaturas altas.
- Louça de cobre e estanho.
- Louça suja com cinza, cera, lubrificante ou tinta.

As cores das decorações de peças em vidro e as peças de alumínio/prata podem sofrer alterações e desbotar durante o processo de lavagem. Alguns tipos de vidro (por ex., cristal) podem ficar opacos após alguns ciclos de lavagem.

DANOS EM VIDRO E LOIÇA

- Coloque apenas vidros e porcelana que tenham garantia do fabricante como sendo adequados para lavagem na máquina de lavar louça.
- Utilize um detergente suave adequado para louça
- Retire os vidros e a louça da máquina de lavar louça assim que o ciclo de lavagem termine.

SUGESTÕES PARA POUPAR ENERGIA

- Se a máquina de lavar louça for utilizada de acordo com as instruções do fabricante, **um ciclo de lavagem de louça consome habitualmente MENOS ENERGIA e água do que uma lavagem manual da louça.**
- Para maximizar a eficiência da máquina de lavar louça, Se a máquina de lavar louça for utilizada de acordo com as instruções do fabricante, **um ciclo de lavagem de louça consome habitualmente MENOS ENERGIA e água do que uma lavagem manual da louça.** Para maximizar a eficiência da máquina de lavar louça, **recomenda-se que inicie o ciclo de lavagem assim que a máquina esteja totalmente carregada com louça.** Ao carregar a máquina de lavar louça até à capacidade máxima indicada pelo fabricante irá contribuir para poupar energia e água. Poderá encontrar informações sobre o carregamento correto da louça na secção "CARREGAR OS CESTOS". Caso a máquina de lavar louça seja carregada apenas parcialmente, recomenda-se que utilize as opções de lavagem dedicadas, se disponíveis (Meia carga/ Zone Wash/ Multi-zone), carregando louça apenas nos cestos selecionados para o efeito. Carregar ou sobrecarregar incorretamente a máquina de lavar louça pode aumentar o uso de recursos (como água, energia e tempo, além de aumentar o nível de ruído), reduzindo o desempenho de limpeza e de secagem.
- A pré-lavagem manual de louça causa um aumento do consumo de água e de energia, não sendo, portanto, recomendada.

HIGIENIZAÇÃO

Para evitar odores e acumulação de sedimentos na máquina de lavar louça, **execute um programa de temperatura elevada pelo menos uma vez por mês.** Utilize uma colher de chá de detergente e coloque a máquina a funcionar sem carga para efetuar a limpeza do aparelho.

RESISTÊNCIA AO GELO

Se a máquina for colocada num local exposto ao risco de congelamento, **a mesma tem de ser drenada completamente.** Feche a torneira da água e retire os tubos de alimentação e de descarga e, de seguida, faça escoar a água. **Certifique-se de que o amaciador de água está cheio de sal regenerador dissolvido no depósito de sal,** ara proteger o aparelho de temperaturas até -20 °C. Se o aparelho for armazenado sob condições de geada, o mesmo deve permanecer a uma temperatura ambiente mínima de 5 °C durante, pelo menos, 24 horas antes da primeira utilização.

TABELA DE PROGRAMAS

Programa	Descrição dos programas	Fase de secagem	NaturalDry	Opções disponíveis *)	Duração do programa de lavagem (h:min) ^(**)	Consumo de água (litros/ciclo)	Consumo de energia (kWh/ciclo)
P1 Eco	Eco 50° - O programa Eco é ideal para lavar loiça com um nível de sujidade normal, sendo o programa mais eficiente para o efeito em termos da sua utilização combinada de energia e de água e estando em conformidade com a legislação de conceção ecológica da UE.	✓	✓		4:00	9,5	0,64
P2 A	Auto Intensivo 65° - Programa automático para loiça e tachos muito sujos.	✓	✓		2:25-3:10	15,5-24,5	1,30-1,70
P3 A	Auto Mistio 55° - Programa automático para loiça com um nível de sujidade normal, com resíduos de alimentos secos.	✓	✓		1:20-3:00	7,5-19,5	0,75-1,20
P4 A	Auto Rapido 50° - Programa automático para loiça com um nível de sujidade normal e leve. Ciclo diário, que garante um desempenho de limpeza e secagem ideais num período de tempo mais curto.	✓	✓		1:00-1:50	7,5-15,5	0,70-1,10
P5	Rapid 45° - Este programa é recomendado para uma quantidade limitada de loiça com um nível de sujidade leve, sem resíduos de alimentos secos. Não inclui uma fase de secagem.	-	✓		0:30-0:40	10-12	0,55-0,65
P6	Cristais 45° - Programa para objetos frágeis e mais sensíveis a temperaturas elevadas, tais como copos de vidro e chávenas.	✓	✓		1:40-1:50	12,5-16,5	0,95-1,20
P7	Silencioso 55° - Adequado para um funcionamento noturno do aparelho. Garante um desempenho de limpeza e secagem ideais com a menor emissão menor de ruído possível.	✓	✓		3:50-4:10	10,5-14,5	0,80-1,15
P8	Desinfecção 65° - Loiça com um grau de sujidade normal ou muito suja, com uma ação antibacteriana suplementar. Programa a utilizar para efetuar a manutenção da máquina de lavar loiça.	✓	-		1:55-2:10	12-19	1,40-1,80
P9	Pré-Lavagem - Utilizado para refrescar a loiça a ser lavada mais tarde. Neste programa não é utilizado detergente.	-	✓		0:12	4,5	0,10
P10	Limpeza Automática 65° - Programa a ser utilizado para efetuar a manutenção da máquina de lavar loiça, a ser efetuado apenas quando a máquina de lavar loiça estiver VAZIA e utilizando detergentes específicos concebidos para a manutenção de máquinas de lavar loiça.	-	-		1:15	11,0	1,10

Os dados do programa ECO são avaliados em condições laboratoriais de acordo com a norma europeia EN 60436:2020. Nota para os Laboratórios de Ensaio: para informações sobre as condições do ensaio comparativo EN, solicitar ao endereço: dw_test_support@whirlpool.com. Não é necessário efetuar qualquer tipo de pré-tratamento da loiça antes de iniciar os programas. *) Nem todas as opções podem ser utilizadas em simultâneo. **) Os valores apresentados para todos os programas, à exceção do programa Eco, são meramente indicativos. O tempo real poderá variar dependendo de vários fatores, tais como a temperatura e a pressão da água de entrada, a temperatura ambiente, a quantidade de detergente, a quantidade e o tipo de carga, o equilíbrio da carga, as opções adicionais selecionadas e a calibragem do sensor. A calibragem do sensor pode aumentar a duração do programa até 20 min.

OPÇÕES E FUNÇÕES

As OPÇÕES podem ser selecionadas/desselecionadas após a escolha do programa, ao premir diretamente o botão correspondente (se disponível - o indicador acende-se) (consulte PAINEL DE CONTROLO). Se uma opção não for compatível com o programa selecionado (consulte a TABELA DE PROGRAMAS) o LED correspondente pisca rapidamente 3 vezes e é emitido um sinal sonoro. A opção não será ativada. Uma opção pode alterar a duração ou o consumo de água ou energia do programa.

POWER CLEAN® - Graças aos jatos de potência suplementar, esta opção permite uma lavagem mais intensa e rigorosa no cesto inferior, na área específica. Esta opção é recomendada para a lavagem de tachos e painelas. (Consulte a seção de carregamento Power Clean®).

MEIA CARGA - Se a carga de loiça a lavar for reduzida poderá ser utilizado o programa de meia carga para poupar água, eletricidade ou tempo, dependendo do programa selecionado.

Lembre-se de reduzir a quantidade de detergente.

SECAGEM EXTRA - A temperatura mais elevada durante a lavagem final e a fase de secagem alargada permite um processo de secagem melhorado. A opção SECAGEM EXTRA provoca o aumento da duração do ciclo de lavagem.

INÍCIO DIFERIDO - O início do programa poderá ser diferido, num período entre **0:30 e 24 horas**.

1. Seleccione o programa e quaisquer opções pretendidas. Prima o botão INÍCIO DIFERIDO (repetidamente) para atrasar o início do programa. Ajustável entre 0:30 e 24 horas. Uma vez atingida a definição de 24 horas, prima INÍCIO DIFERIDO noutra altura para desativar a função INÍCIO DIFERIDO.
2. Prima o botão INÍCIO/Pausa e feche a porta no espaço de 4 segundos. O temporizador dará início à contagem decrescente.
3. Decorrido este tempo, o indicador luminoso apaga-se e o programa começa automaticamente.


Não é possível definir a função INÍCIO DIFERIDO depois de um programa ter começado.

DETEÇÃO - Quando o sensor está ativado para detetar o nível de sujidade da loiça, é apresentada uma animação no visor (cerca de 20 min.) e a duração do ciclo é atualizada. A função de DETEÇÃO aplica-se ao nível de sujidade da loiça e está presente em todos os ciclos (exceto Eco), ajustando o programa em conformidade.

LUZ NO CHÃO - Uma luz LED projetada no chão indica que a máquina de lavar loiça está em funcionamento. A luz apaga-se no final do ciclo. Esta função está ativa por predefinição, mas é possível desativá-la no MENU DE DEFINIÇÕES.

NaturalDry - trata-se de um sistema de secagem por convecção que abre automaticamente a porta durante/após o ciclo de secagem, de forma a garantir um excelente desempenho de secagem diariamente. A porta abre-se a uma temperatura que é segura para os seus móveis de cozinha. Como proteção adicional contra o vapor, é fornecida juntamente com a máquina de lavar loiça uma película de proteção especialmente concebida para o efeito. Para mais informações sobre como instalar esta película de proteção, consulte o GUIA DE INSTALAÇÃO. Esta função está ativa por predefinição, mas é possível desativá-la no "MENU DE PROGRAMAÇÃO".

DESCALCIFICAR - Alarme - Foi detetada a acumulação de calcário nos componentes internos da máquina. Verifique se a **Definição de Dureza da Água** está no valor correto e se o **depósito de sal tem sal** (consulte PRIMEIRA UTILIZAÇÃO), depois **utilizar um produto descalcificador** (recomenda-se a marca WPro) com o **programa Limpeza Automática**. Após uma descalcificação bem sucedida, o ícone deixará de ser exibido. «Se le azioni di cui sopra non vengono eseguite, le prestazioni del prodotto si deteriorano. L'avviso DESCALCIFICAR inizierà a lampeggiare e l'allarme «DES» apparirà sul display. Se non si interviene, l'apparecchio consentirà di avviare solo un certo numero di cicli (indicato durante la visualizzazione dell'allarme «DES») e quindi si **BLOCCHERÀ** per evitare danni ai componenti, **rendendo disponibile solo il programma Limpeza Automática**. Eseguen-do una decalcificazione completa, il prodotto si sblocca. In caso di quantità estremamente elevate di calcare, potrebbe essere neces-sario eseguire la decalcificazione due volte per essere efficiente.

 **FAVORITOS** - O programa FAVORITOS pode ser guardado e será de fácil acesso. Encontre o programa usando **ANTERIOR/SEGUINTE** e, de seguida, prima o botão do programa Favoritos durante 3 segundos.

 **Alarme -TORNEIRA DA ÁGUA FECHADA** - Fica intermitente quando não está a entrar água ou quando a torneira da água está fechada.

CARREGAR OS CESTOS

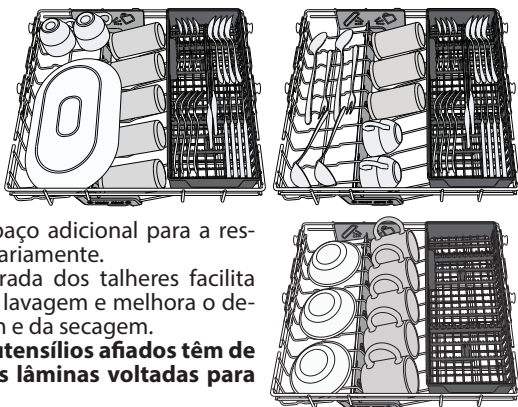
CAPACIDADE: 14 talheres padrão

CESTO MAIS ALTO

O cesto mais alto fornece uma zona de lavagem direcionada para tigelas, canecas e até mesmo para pratos grandes e talheres que normalmente seriam colocados nos cestos inferiores, criando espaço adicional para a restante loiça utilizada diariamente.

Uma disposição separada dos talheres facilita a sua remoção após a lavagem e melhora o desempenho da lavagem e da secagem.

As facas e os outros utensílios afiados têm de ser colocados com as lâminas voltadas para baixo.

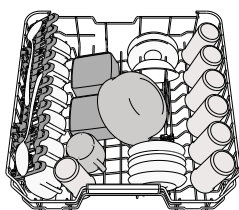


CESTO SUPERIOR

Carregue neste cesto a loiça frágil e leve: copos, chávenas, pires, tigelas.

O cesto superior tem suportes rebatíveis, que podem ser utilizados numa posição vertical para colocar pires de chá/sobremesa ou numa posição inferior, para colocar tigelas e recipientes.

(exemplo de carga no cesto superior)

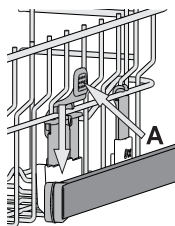


Ajustar a altura do cesto superior

É possível ajustar a altura do cesto superior: utilize uma posição mais elevada para colocar loiça mais volumosa no cesto inferior e uma posição mais baixa para aproveitar ao máximo os suportes rebatíveis, criando mais espaço superior e evitando o choque com os objetos colocados no cesto inferior.

O cesto superior está equipado com um **Ajuste de altura do cesto superior** (consulte a figura); sem pressionar as alavancas, eleve o cesto segurando-o pelas partes laterais, logo que o cesto fique estável na posição superior. Para voltar à posição inferior, pressione as alavancas **A** existentes nas partes laterais do cesto e desloque-o para baixo.

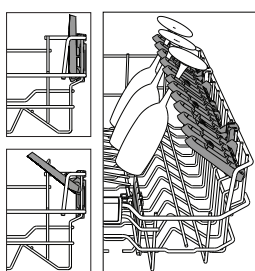
Recomendamos vivamente que não ajuste a altura do cesto quando este está carregado. NUNCA eleve ou baixe o cesto apenas de um lado.



Abas dobráveis com posição ajustável

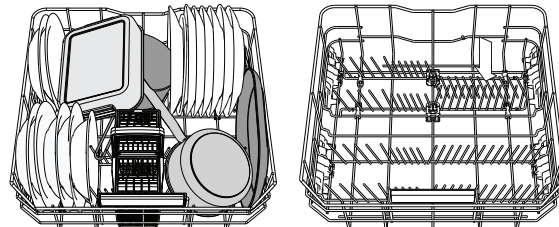
As abas laterais podem ser dobradas ou desdobradas para otimizar a disposição da loiça dentro do cesto. Os copos de vinho podem ser posicionados em segurança nas abas dobráveis, introduzindo o pé de cada copo nas ranhuras correspondentes. Conforme o modelo:

- para desdobrar as abas, é necessário deslizá-las para cima e rodá-las ou soltá-las dos encaixes e puxá-las para baixo.
- para dobrar as abas, é necessário rodá-las e deslizá-las para baixo ou puxá-las para cima e encaixá-las nos respetivos encaixes.



CESTO INFERIOR

Para tachos, tampas, pratos, saladeiras, talheres, etc.. Os pratos e as tampas grandes devem ser colocados dos lados, a fim de evitar interferências com o braço aspersor. O cesto inferior tem suportes rebatíveis, que podem ser utilizados numa posição vertical para colocar pratos ou numa posição horizontal (inferior) para colocar facilmente tachos ou saladeiras.



(exemplo de carga para o cesto inferior)

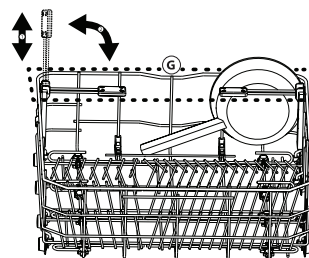
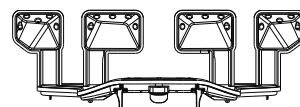
POWER CLEAN®

A função Power Clean® utiliza jatos de água especiais situados na parte traseira da cuba para lavar os objetos mais sujos com maior intensidade. O cesto inferior tem uma zona de espaço adicional, um suporte especial de puxar na parte traseira do cesto que pode ser utilizado para o suporte de frigideiras ou para os tabuleiros de forno na posição vertical, o que permite que ocupem menos espaço.

Colocando os tachos/panelas voltados para o componente Power Clean®, ative a função **POWER CLEAN®** no painel.

How to use Power Clean®:

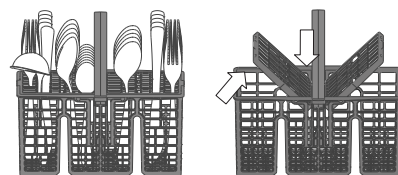
1. Ajuste a área Power Clean® (**G**) dobrando para baixo os suportes traseiros dos pratos para introduzir tachos.
2. Introduza os tachos e as panelas inclinados na vertical na área Power Clean®. Os tachos têm de estar inclinados na direção dos jatos de água.



Cesto para os talheres

Está equipado com duas grelhas superiores para facilitar a disposição dos talheres. Só pode ser posicionado na parte dianteira do cesto inferior.

As facas e os outros utensílios afiados têm de ser colocados no cesto dos talheres, com as extremidades voltadas para baixo ou horizontalmente nos compartimentos rebatíveis do cesto superior.



LIMPEZA E MANUTENÇÃO

LIMPAR O CONJUNTO DE FILTROS

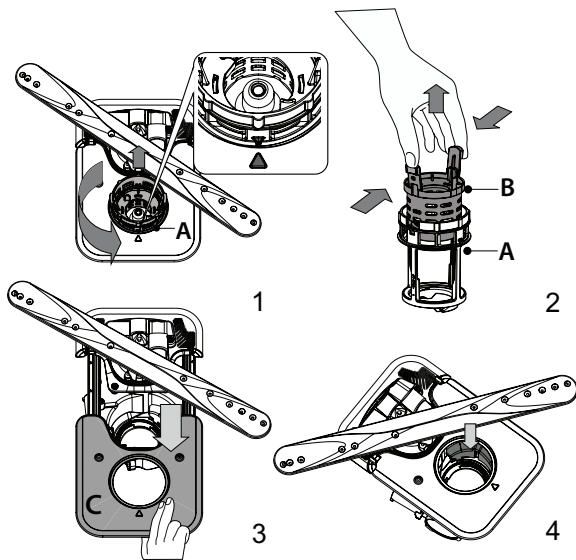
Limpe regularmente o conjunto de filtros para que os filtros não fiquem entupidos e para que a água residual flua corretamente. Ao utilizar a máquina de lavar loiça com filtros obstruídos ou objetos estranhos dentro do sistema de filtragem ou nos pulverizadores poderá causar o mau funcionamento da unidade, resultando numa perda de desempenho, num funcionamento ruidoso ou numa maior utilização de recursos. O conjunto de filtros é composto por três filtros que eliminam os restos de comida da água de lavagem e fazem recircular a água: para obter os melhores resultados de lavagem é necessário limpá-los.

A máquina de lavar loiça não pode ser utilizada sem filtros ou com os filtros soltos.

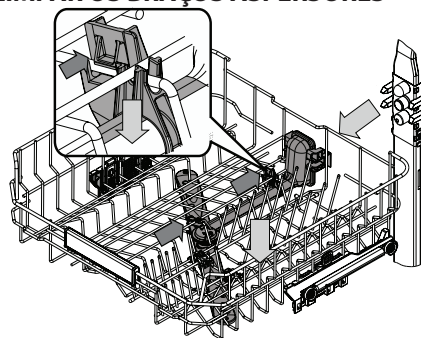
Pelo menos uma vez por mês ou após cada 30 ciclos, verifique o conjunto de filtros e, se necessário, limpe-os muito bem em água corrente, utilizando uma escova não metálica e seguindo as instruções abaixo:

1. Rode o filtro cilíndrico **A** no sentido contrário ao dos ponteiros do relógio e retire-o (Fig. 1). **É importante que, ao reinstalar o filtro, os dois triângulos apresentados na ampliação se encontrem.**
2. Retire a parte interna do filtro **B** exercendo uma ligeira pressão nas abas laterais (Fig. 2).
3. Faça deslizar para fora o filtro de aço inoxidável **C** (Fig. 3).
4. Caso encontre quaisquer objetos estranhos (tais como vidros e porcelana partidos, ossos de comida, sementes de frutos, etc.) **remova-os cuidadosamente.**
5. Inspeccione o coletor e retire quaisquer restos de comida. **NUNCA RETIRE** a proteção da bomba do ciclo de lavagem ((apresentado por uma seta) (Fig. 4).

Depois de limpar os filtros, volte a colocar o conjunto de filtros e fixe-o corretamente na devida posição; isto é essencial para manter um funcionamento eficaz da máquina de lavar loiça.

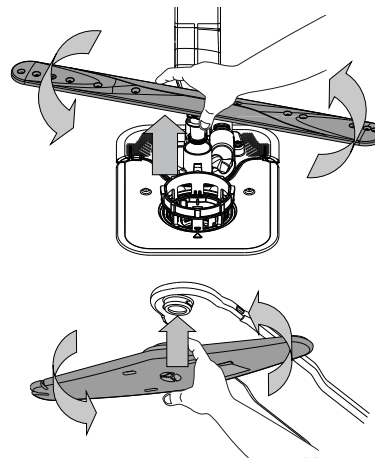


LIMPAR OS BRAÇOS ASPERSORES



Por vezes, os restos de comida podem acumular-se nos braços aspersores e bloquear os orifícios utilizados para pulverizar a água. Assim, recomenda-se que verifique periodicamente os braços e que os limpe com uma escova pequena não metálica.

Para remover o aspersor superior, deverá removê-lo juntamente com o coletor.



É possível remover o braço aspersor inferior puxando-o para cima e rodando-o no sentido contrário ao dos ponteiros do relógio. A montagem do braço aspersor é feita puxando-o para baixo e rodando-o no sentido dos ponteiros do relógio.

É possível remover o braço aspersor superior pressionando-o para cima e depois rodando-o no sentido contrário ao dos ponteiros do relógio. A montagem do braço aspersor é feita puxando-o para cima e rodando-o no sentido dos ponteiros do relógio.

O cesto mais alto possui um tubo de lavagem fixo com todos os bicos de lavagem voltados para cima. Para limpá-lo, pode deslizar o cesto para fora e, utilizando uma pinça, remover os itens que possam estar alojados nos bicos.

RESOLUÇÃO DE PROBLEMAS

Caso a sua máquina de lavar loiça não funcione corretamente, verifique se consegue resolver o problema através das soluções apresentadas na lista que se segue. Para outros erros ou problemas, entre em contato com o Serviço de Pós-venda Autorizado, cujos detalhes de contacto podem ser encontrados no livrete da garantia. As peças sobressalentes estarão disponíveis por um período de até 7 ou até 10 anos, de acordo com os requisitos específicos do Regulamento.

PROBLEMAS	CAUSAS POSSÍVEIS	SOLUÇÕES
O indicador de sal está aceso	O reservatório do sal está vazio.	Encha o reservatório com sal (veja mais informações - consulte ENCHER O DEPÓSITO DO SAL). Verifique a definição de dureza da água, se necessário - consulte TABELA DE DUREZA DA ÁGUA.
O indicador do sal está a piscar.	Reservatório do sal está vazio.	Encha o reservatório com sal assim que possível. A colocação da máquina em funcionamento sem sal poderá causar danos aos seus componentes internos.
Luz indicadora de abrillantador acesa ou a piscar intermitentemente	O distribuidor do abrillantador está vazio. (Após encher o depósito, o indicador do abrillantador poderá permanecer aceso durante um curto período de tempo).	Encha o distribuidor com abrillantador (veja mais informações - consulte ENCHER O DISTRIBUIDOR DE ABRILHANTADOR).
O indicador de descalcificação está aceso ou a piscar intermitentemente; O alarme «dES» é apresentado.	Existe acumulação de calcário nos componentes internos do aparelho.	Descalcifique imediatamente o aparelho utilizando o programa Limpeza Automática e um produto de descalcificação disponível no mercado (consulte OPÇÕES E FUNÇÕES). Encha o depósito com sal. Verifique a definição de dureza da água. Se o aparelho não for descalcificado, deixará de funcionar.
A máquina de lavar loiça não começa a funcionar ou não responde aos comandos.	A máquina não está ligada corretamente.	Ligue a ficha à tomada.
	Corte de energia.	Por motivos de segurança, a máquina de lavar loiça não se liga automaticamente após um corte de energia. Abra a porta da máquina de lavar loiça, prima o botão INÍCIO/Pausa e feche a porta no espaço de 4 segundos.
	A porta da máquina de lavar loiça não está fechada. O pino NaturalDry não está empurrado para dentro.	Empurre vigorosamente a porta até ouvir um "clique".
	A abertura da porta durante mais de 4 segundos leva à interrupção do ciclo.	Prima o botão INÍCIO/Pausa e feche a porta no espaço de 4 segundos.
A máquina de lavar loiça não escoa a água. Visualização no visor: F7 E3 ou F9 E1.	O painel de controlo não responde ou a mensagem F6 E1 é apresentada.	Desligue a máquina premindo o botão LIGAR-DESLIGAR/Reiniciar, volte a ligá-la passado cerca de um minuto e reinicie o programa. Se o problema persistir, desligue o aparelho durante 1 minuto e ligue-o novamente.
	O filtro está obstruído com resíduos de alimentos ou calcário.	Limpe o filtro e descalcifique o aparelho (ver LIMPAR O CONJUNTO DE FILTROS e INSTRUÇÕES DE DESCALCIFICAÇÃO).
	Mangueira de drenagem dobrada.	Verifique a mangueira de drenagem (ver INSTRUÇÕES DE INSTALAÇÃO).
	O tubo de escoamento do lava-loiça está obstruído.	Limpe o tubo de escoamento do lava-loiça.

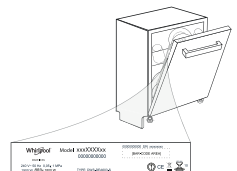
PROBLEMAS	CAUSAS POSSÍVEIS	SOLUÇÕES
A máquina de lavar loiça faz um ruído excessivo.	A loiça está a chocalhar uma contra a outra.	Posicione a loiça corretamente (ver <i>CARREGAR OS CESTOS</i>).
	Existe uma quantidade excessiva de loiça.	O detergente não foi doseado corretamente ou não é adequado para utilização em máquinas de lavar loiça (ver <i>ENCHIMENTO DO DISTRIBUIDOR DE DETERGENTE</i>). Reinicie o ciclo atual desligando a máquina de lavar loiça e, em seguida, volte a ligá-la. Selecione um novo programa, prima INÍCIO/Pausa e feche a porta dentro de 4 segundos. Não adicione mais detergente.
	A loiça foi disposta de forma incorreta.	Disponha a loiça corretamente (ver <i>CARREGAR OS CESTOS</i>).
	O filtro está obstruído com resíduos de alimentos ou calcário.	Limpe o conjunto de filtros (ver <i>LIMPEZA E MANUTENÇÃO</i>).
A loiça não fica limpa.	A loiça foi disposta de forma incorreta.	Disponha a loiça corretamente (ver <i>CARREGAR OS CESTOS</i>).
	Os braços aspersores não conseguem rodar livremente, sendo impedidos pela loiça.	Disponha a loiça corretamente (ver <i>CARREGAR OS CESTOS</i>). Verifique se o cesto superior está na posição correta e ajuste-o (elevar) se necessário.
	O ciclo de lavagem é demasiado suave.	Selecione um ciclo de lavagem apropriado (ver <i>TABELA DE PROGRAMAS</i>).
	Existe uma quantidade excessiva de loiça.	O detergente não foi doseado corretamente ou não é adequado para utilização em máquinas de lavar loiça (ver <i>ENCHER O DISTRIBUIDOR DE DETERGENTE</i>).
	A tampa do depósito de abrillantador não está bem fechada.	Certifique-se de que a tampa do distribuidor de abrillantador está fechada.
	O filtro está obstruído com resíduos de alimentos ou calcário.	Limpe o filtro e descalcifique o aparelho (ver <i>LIMPAR O CONJUNTO DE FILTROS</i>).
	O reservatório do sal está vazio.	Encha o depósito de sal (ver <i>ENCHER O DEPÓSITO DO SAL</i>).
A máquina de lavar loiça não se enche de água. O visor apresenta: H2O e  está aceso; é emitido um alarme sonoro."	Não há abastecimento de água ou a torneira está fechada.	Certifique-se de que há água ou que a torneira está aberta.
	A mangueira de entrada de água está dobrada.	Verifique a mangueira de entrada de água (ver <i>INSTALAÇÃO</i>). Abra a porta da máquina de lavar loiça, prima o botão INÍCIO/Pausa e feche a porta no espaço de 4 segundos.
	O filtro da mangueira de entrada de água está obstruído; é necessário limpá-lo.	Verifique e limpe o filtro da mangueira de entrada de água. Abra a porta da máquina de lavar loiça, prima o botão INÍCIO/Pausa e feche a porta no espaço de 4 segundos.
A máquina de lavar loiça termina o ciclo prematuramente. O visor apresenta: F8 E3 .	O filtro está obstruído com resíduos de alimentos ou calcário.	Limpe o filtro e descalcifique o aparelho (ver <i>LIMPAR O CONJUNTO DE FILTROS e INSTRUÇÕES DE DESCALCIFICAÇÃO</i>).
	Mangueira de drenagem numa posição demasiado baixa ou com o sifão no sistema de esgotos doméstico.	Verifique se a extremidade da mangueira de drenagem está colocada à altura correta (ver <i>INSTALAÇÃO</i>). Verifique o sifão no sistema de esgotos doméstico e instale um disjuntor de sifão/válvula de admissão de ar se necessário.
	Existe uma quantidade excessiva de loiça.	O detergente não foi doseado corretamente ou não é adequado para utilização em máquinas de lavar loiça (ver <i>ENCHER O DISTRIBUIDOR DE DETERGENTE</i>).
	Existe ar no abastecimento de água.	Verifique se existem fugas ou quaisquer outros problemas no abastecimento de água que estejam a causar a entrada de ar.
A secagem da loiça não é efetuada corretamente.	Não existe abrillantador ou a dosagem é muito baixa.	Certifique-se de que o distribuidor do abrillantador está cheia (<i>ENCHER O DISTRIBUIDOR DE ABRILHANTADOR</i>). A utilização de apenas pastilhas multifunções não proporciona efeitos de secagem tão bons como a utilização de abrillantador líquido.
	A loiça foi retirada da máquina após a abertura automática da porta, mas antes do término efetivo do ciclo.	Certifique-se de que o ciclo terminou antes de começar a retirar a loiça da máquina (ver <i>UTILIZAÇÃO DIÁRIA</i>). Para resultados de secagem ainda melhores, é recomendável deixar a loiça dentro da máquina com a porta aberta durante 15 minutos após o término do ciclo.
	A loiça fica posicionada demasiadamente na horizontal.	Se notar poças de água no interior das cavidades de xícaras, canecas ou tigelas, tente carregar a loiça (principalmente no cesto superior) proporcionando uma maior inclinação, de forma a que escorra uma maior quantidade de água antes de iniciar a secagem.
	O ciclo selecionado não possui a fase de secagem.	Na <i>TABELA DE PROGRAMAS</i> , verifique se o programa selecionado dispõe de fase de secagem. Um ciclo sem fase de secagem pode não fornecer a eficiência de secagem desejada, portanto, é recomendável alterar a seleção do ciclo para um que possua uma fase de secagem.
	A loiça é antiaderente ou de plástico.	É normal que permaneçam algumas gotas de água neste tipo de material.
Os pratos e copos ficam com riscas azuis ou com um tom azulado.	A dose de abrillantador é excessiva.	Ajuste a dosagem para um nível mais baixo.
Os pratos e os copos apresentam calcário ou uma película esbranquiçada.	Reservatório do sal está vazio.	Encha o reservatório com sal assim que possível. A colocação da máquina em funcionamento sem sal poderá causar danos aos seus componentes internos.
	A definição da dureza da água está demasiado baixa.	Aumente a definição (ver <i>TABELA DE DUREZA DA ÁGUA</i>).
	A tampa do depósito de sal não está bem fechada.	Verifique e feche a tampa do depósito do sal.
	O depósito do abrillantador está vazio ou a dosagem do abrillantador é insuficiente.	Encha o distribuidor com abrillantador e verifique as definições de dosagem (ver <i>ENCHER O DISTRIBUIDOR DE ABRILHANTADOR</i>).
A máquina de lavar loiça apresenta a mensagem F8 E5 .	A válvula está bloqueada ou avariada.	Feche a torneira da água, se possível. Não desligue a fonte de alimentação. Contacte a Assistência.



As políticas da empresa, documentação padrão, encomenda de peças sobresselentes e informações adicionais sobre o produto poderão ser consultadas em:

- Utilizando o código QR e visitando o nosso website: docs.whirlpool.eu/docs
- Visitando o nosso website: parts-selfservice.europeanappliances.com
- Em alternativa, **contacte o nosso Serviço Pós-venda** (através do número de telefone contido no livrete da garantia). Ao contactar o nosso Serviço Pós-Venda, indique os códigos fornecidos na placa de identificação do seu produto.

A informação relativa ao modelo pode ser obtida utilizando o código QR indicado na etiqueta energética. A etiqueta inclui também o identificador do modelo, que pode ser utilizado para consultar o portal de registo em <https://eprel.ec.europa.eu>





ĎAKUJEME, ŽE STE SI KÚPILI VÝROBK WHIRLPOOL.
Ak chcete získať komplexnejšiu pomoc a podporu, zaregistrujte, prosím, svoj spotrebič na: www.whirlpool.eu/register

Pred použitím spotrebiča si starostlivo prečítajte bezpečnostné pokyny a návod na inštaláciu. Viac informácií o výrobku nájdete na webovej stránke: docs.whirlpool.eu/docs



Po inštalácii nezabudnite odstrániť z umývačky všetky súčiastky na ochranu pri preprave.

OVLÁDACÍ PANEL

1. Tlačidlo **ZAP.-VYP./Reštart** s kontrolkou
2. Tlačidlo **PREDCHÁDZAJÚCI program**
3. Tlačidlo **ĎALŠÍ program**
4. Tlačidlo **OBLÚBENÝ program** s kontrolkou
5. Kontrolka prázdny zásobník soli
6. Kontrolka prázdny zásobník leštidla
7. Kontrolka **ODVÁPNIŤ**
8. Kontrolka **Zatvorený vodovodný ventil**
9. Ukazovateľ čísla programu a zostávajúceho času
10. Displej
11. Tlačidlo možnosti **Power Clean®** s kontrolkou



12. Tlačidlo možnosti **Polovičná Náplň** s kontrolkou/ **Nastavenia** - stlačiť na 3 sekundy
13. Tlačidlo možnosti **Extra Sušenia** s kontrolkou/
14. Tlačidlo **Odložený Štart** s kontrolkou
15. Tlačidlo **ŠTART/Pauza** s kontrolkou

PRVÉ POUŽITIE

PONUKA NASTAVENÍ

1. Zapnite spotrebič stlačením tlačidla **ZAP./VYP.**
2. Na 3 sekundy podržte tlačidlo **Nastavenia** (Polovičná Náplň), až kým sa neozve pípnutie a na displeji sa zobrazí „SEt“.
3. Po jednej sekunde sa zobrazí prvé dostupné nastavenie (písmeno „h“).
4. Stlačením **PREDCHÁDZAJÚCI/ĎALŠÍ** prechádzate zoznamom dostupných nastavení (pozri tabuľku ďalej), potom stlačte **ŠTART/Pauza** pre zobrazenie a zmenu hodnoty aktuálne zvoleného nastavenia.
5. Stlačením **PREDCHÁDZAJÚCI/ĎALŠÍ** zmeníte hodnotu, potom stlačte **ŠTART/Pauza** pre uloženie novej hodnoty a návrat do hlavnej ponuky.
6. Pre zmenu ďalšieho nastavenia zopakujte body 4 a 5.
7. Stlačte **ZAP./VYP.** alebo počkajte 30 sekúnd, ak chcete ponuku zatvoriť.

PÍSMENO	NASTAVENIE	HODNOTY (Štandardné - tučným písmom)
[h]	Úroveň tvrdosti vody (pozri NASTAVENIE TVRDOSTI VODY a TABUĽKA TVRDOSTI VODY)	1 2 3 4 5
[l]	Úroveň leštidla (pozri NASTAVENIE DÁVKOVANIA LEŠTIDLA)	0 1 2 3 4 5
[d]	NaturalDry (pozri MOŽNOSTI A FUNKCIE) „1“ = Zap., „0“ = Vyp.	1 0
[s]	Svetlo na podlahe (pozri MOŽNOSTI A FUNKCIE) „1“ = Zap., „0“ = Vyp.	1 0
[z]	Zvuk „1“ = Zap., „0“ = Vyp.	1 0
[v]	Nastavenie z výroby Stlačením tlačidla ŠTART/Pauza obnovíte nastavenie z výroby všetkých hodnôt nastavení zahrnutých v ponuke nastavení	-

PLNENIE ZÁSOBNÍKA SOLI

Používanie soli zabraňuje tvorbe vodného kameňa na riadoch a funkčných komponentoch umývačky. Zásobník soli sa nachádza v spodnej časti umývačky (pod spodným košom na ľavej strane).

- Je nevyhnutné, aby **zásobník soli nebol nikdy prázdny**.
 - Je dôležité nastaviť tvrdosť vody.
 - Soľ treba doplniť, keď na ovládacom paneli svieti **kontrolka DOPLNIŤ SOL**.
1. Vyberte spodný koš a odskrutkujte uzáver zásobníka (proti smeru hodinových ručičiek).
 2. Nasadte násypku (pozri obrázok) a naplňte zásobník až po okraj (približne 0,5 kg); je bežné, že trochu vody vytečie.
 3. **Vykonáva sa len prvýkrát: zásobník soli naplňte vodou.**



4. Vyberte násypku a zvyšky soli na otvore utrite. Dbajte, aby bol uzáver pevne zatiahnutý, aby sa počas umývacieho programu nedostal do zásobníka umývací prostriedok (mohlo by to nenapraviteľne poškodiť zmäkčovač vody). **Spustite program zakaždým hneď po doplnení zásobníka soli, aby ste sa vyhlili korózii.**

Nastavenie tvrdosti vody

Aby mohol zmäkčovač dokonale pracovať, je dôležité, aby bola tvrdosť vody nastavená podľa skutočnej tvrdosti vody vo vašej domácnosti. Túto informáciu môžete získať od miestneho dodávateľa vody. Z výroby je nastavená priemerná tvrdosť vody „3“. Pozri „TABUĽKA TVRDOSTI VODY“.

Ak ho chcete zmeniť, postupujte podľa pokynov v časti „PONUKA NASTAVENÍ“.

Používajte iba soľ určenú špeciálne do umývačiek. Keď do umývačky nasypete soľ, kontrolka DOPLNIŤ SOL zhasne. **Ak zásobník soli nenaplníte, zmäkčovač vody a ohrievacie teleso sa môžu poškodiť v dôsledku hromadenia vodného kameňa.** Použitie soli sa odporúča s akýmkoľvek typom umývacieho prostriedku do umývačky riadu.

Tabuľka tvrdosti vody

Úroveň	°dH Nemecké stupne	°fH Francúzske stupne	°Clark Anglické stupne
1 (mäkká)	0 - 6	0 - 10	0 - 7
2 (stredná)	7 - 11	11 - 20	8 - 14
3 (priemerná)	12 - 16	21 - 29	15 - 20
4 (tvrdá)	17 - 34	30 - 60	21 - 42
5 (veľmi tvrdá)	35 - 50	61 - 90	43 - 62

SYSTEM NA ZMÄKČOVANIE VODY

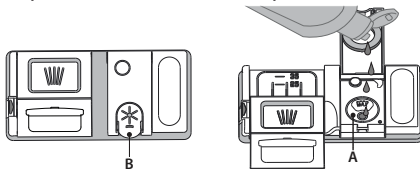
Zmäkčovač vody automaticky znižuje tvrdosť vody, čím zároveň zabraňuje tvorbe vodného kameňa v ohrievачi a prispieva k vyššej efektívnosti umývania. **Tento systém sa automaticky regeneruje pomocou soli, a preto je nutné pravidelne doplniť zásobník soli, keď bude prázdny.**

Intervaly vykonávania regenerácie závisia od nastavenia tvrdosti vody – regenerácia sa vykonáva raz za 4-6 Eco cyklov, ak je tvrdosť vody nastavená na 3. Proces regenerácie prebieha na začiatku cyklu s pridaním čerstvej vody.

- Pri regenerácii sa spotrebuje: približne 3 litre vody;
- Pridá k cyklu dodatočných 5 minút;
- Spotrebuje sa pri nej 0,005 kWh energie

PLNENIE DÁVKOVAČA LEŠTIDLA

Leštadlo uľahčuje SUŠENIE riadu. Dávkovač leštiaceho prostriedku **A** treba naplniť, keď na ovládacom paneli svieti **kontrolka DOPLNIŤ LEŠTIDLO**.



1. Otvorte dávkovač **B** stlačením a zdvihnutím držiaka na veko.
2. Opatrne nalejte leštadlo až po značku maximum (110 ml) v plniacom priestore – dbajte, aby ste ho nerozliali. Ak sa to stane, leštadlo ihneď utrite suchou handričkou.

3. Zatlačte veko, až počujete cvaknutie. **NIKDY nelejte leštadlo priamo do vaničky umývačky.**

Nastavenie dávkovania leštidla

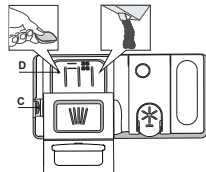
Ak nie ste celkom spokojní s výsledkom sušenia, môžete nastaviť množstvo použitého leštidla.

Ak ho chcete zmeniť, postupujte podľa pokynov v časti „PONUKA NASTAVENÍ“. Ak je úroveň leštidla nastavená na NULA, nepridáva sa nijaké množstvo leštidla. Kontrolka **MÁLO LEŠTIDLA** sa nerozsvieti, ani keď sa leštadlo minie.

V závislosti od modelu umývačky možno nastaviť maximálne 6 úrovní.

- Ak vidíte na riade modrasté pásiky, nastavte nízku hodnotu (0-3).
- Ak sú na riade kvapky vody alebo stopy po vodnom kameni, nastavte vysokú hodnotu (4-5).

PLNENIE DÁVKOVAČA UMÝVACIEHO PROSTRIEDKU



Dávkovač umývacieho prostriedku otvorte pomocou otváracieho zariadenia **C**. Umývací prostriedok dávajte iba do suchého dávkovača **D**. Umývací prostriedok na predumývanie dajte priamo do vaničky.

1. Pri odmeriavaní umývacieho prostriedku sa riadte uvedenými informáciami, aby ste pridali správne množstvo. Vnútri dávkovača **D** sa nachádzajú značky, ktoré pomôžu pri dávkovaní umývacieho prostriedku.
2. Odstráňte zvyšky umývacieho prostriedku z okrajov dávkovača a až potom veko zatvorte, až sa ozve cvaknutie.
3. Zatvorte veko dávkovača umývacieho prostriedku jeho nadvihnutím, až uzatváracie zariadenie zapadne na miesto. Dávkovač umývacieho prostriedku sa automaticky otvorí v správnom čase podľa programu. **Ak používate čistiaci prostriedok, ktorý nie je určený na umývačky, môžete tým spôsobiť poruchu alebo poškodenie spotrebiča.**

KAŽDODENNÉ POUŽÍVANIE

1. SKONTROLUJTE PRIPOJENIE K VODOVODU

Skontrolujte, či je spotrebič pripojený k vodovodnej sieti a či je otvorený vodovodný ventil.

2. ZAPNITE UMÝVAČKU

Otvorte dvierka a stlačte tlačidlo **ZAP./VYP.**

3. ULOŽTE RIAD DO KOŠOV (pozri UKLADANIE RIADU DO KOŠOV)

4. PLNENIE DÁVKOVAČA UMÝVACIEHO PROSTRIEDKU

5. ZVOĽTE PROGRAM A UPRAVTE SI CYKLUS PODĽA ŽELANIA

Vyberte najvhodnejší program podľa typu nádob a stupňa zašpinenia (pozri *OPIS PROGRAMOV*) stlačením zvoleného tlačidla **PREDCHÁDZA-JÚCI/DALŠÍ**.

Zvoľte požadované možnosti (pozri *MOŽNOSTI A FUNKCIE*). Nie všetky možnosti sú kompatibilné so všetkými programami.

6. ŠTART

Cyklus umývania spustíte stlačením tlačidla **ŠTART/Pauza** (rozsvieti sa LED) a zatvorením dvierok do 4 sekúnd. Keď sa program spustí, ozve sa jedno zapípanie. Ak dvierka nezatvoríte do 4 sekúnd, ozve sa výstražný signál. V takomto prípade dvierka neatvárajte, stlačte tlačidlo **ŠTART/Pauza** a znova zatvorte dvierka do 4 sekúnd.

7. UKONČENIE CYKLU UMÝVANIA

Koniec cyklu umývania oznámi zvuková signalizácia a na displeji sa zobrazí **END** (KONIEC). Otvorte dvierka a vypnite spotrebič stlačením tlačidla **ZAP./VYP.**

Niekoľko minút počkajte, aby ste sa nepopáli, a potom nádoby vyberte. Vyložte riad z košov, začnite od spodného.

ÚPRAVA BEŽIACEHO PROGRAMU

Ak ste zvolili nesprávny program, je možné ho zmeniť za podmienky, že sa iba začal. **RESET** spotrebiča: stlačte a podržte tlačidlo **ZAP./VYP.** dlhšie ako 3 sekundy a spotrebič sa vypne. **Na prístrojovej doske sa zobrazí „0:01“.** Zatvorte dvierka a počkajte, kým sa skončí cyklus odčerpania (cca 1 minúta). Otvorte dvierka a znova spotrebič zapnite pomocou tlačidla **ZAP./VYP.** a zvolte požadovanú možnosť. Spustíte cyklus stlačením tlačidla **ŠTART/Pauza** a zatvorením dvierok do 4 sekúnd.

PRIDANIE RIADU NAVYŠE

Bez vypnutia spotrebiča najprv pootvorte dvierka, aby voda nevyšlechla (LED kontrolka **ŠTART/Pauza** začne blikať) (**Pozor! Horúca para!**) a vložte riad do umývačky. Stlačte tlačidlo **ŠTART/Pauza** a zatvorte dvierka do 4 sekúnd, cyklus bude pokračovať od bodu, kde bol prerušený.

NÁHODNÉ PRERUŠENIA

Ak sa dvierka otvoria počas umývacieho cyklu, alebo v prípade výpadku prúdu, cyklus sa zastaví. Zatvorte dvierka a **IBA AK STLAČÍTE** tlačidlo **ŠTART/Pauza** a zatvoríte dvierka do 4 sekúnd, cyklus bude pokračovať od bodu, kde bol prerušený.

RADY A TIPY

TIPY

Pred naložením riadu do košov odstráňte všetky zvyšky jedla z nádob a vyprázdňte poháre. **Riad nemusíte vopred oplachovať pod tečúcou vodou.** Uložte nádoby tak, aby sedeli pevne na mieste a neprevrátili sa; a uložte ich tak, aby boli otvorené nadol, a vypuklé časti, aby boli naklonené a voda sa tak mohla voľne dostať ku všetkým povrchom.

Pozor: veká, ruky, podnosy a panvice na vysmazanie nesmú brániť otáčaniu ostrekovacích ramien.

Drobné veci ukladajte do košíka na príbor. Veľmi špinavý riad a hrnce treba ukladať do spodného koša, lebo v tejto časti sú prúdy vody silnejšie a zvyšujú umývací výkon. Po naplnení spotrebiča sa presvedčte, či sa ostrekovacie ramená môžu voľne otáčať.

NEVHODNÉ PREDMETY

- Drevené nádoby a príbor.
 - Krehké zdobené poháre, umelecký ručne maľovaný a starožitný porcelán. Ich zdobenie nie je odolné.
 - Časti z plastu, ktoré nie sú odolné voči vysokým teplotám.
 - Medené a cínové nádoby.
 - Riad zašpinený od popola, vosku, mazadiel alebo atramentu.
- Farby ozdôb na skle a hliníkové/strieborné kusy sa môžu počas umývania meniť a vyblednúť. Niektoré typy skla (napr. krištálové predmety) môžu po niekoľkých umytiach zmatnieť.

POŠKODENIE SKLA A PORCELÁNU

- Používajte iba sklo a porcelán, pri ktorých výrobca zaručuje, že ich možno bezpečne umývať v umývačke.
- Používajte jemný umývací prostriedok vhodný na porcelán
- Vytiahnite poháre a príbor z umývačky hneď po skončení umývacieho cyklu.

TIPY NA ÚSPORU ENERGIE

- Keď používate umývačku riadu do domácnosti v súlade s pokynmi výrobcu, **pri umývaní kuchynského riadu v umývačke sa spravidla spotrebuje MENEJ ENERGIE a vody ako pri ručnom umývaní riadu.**
- Na dosiahnutie maximálnej efektivity umývačky riadu sa odporúča **spustiť cyklus umývania až potom, čo bude kompletne naplnená.** Ak naložíte umývačku riadu až do kapacity uvedenej výrobcom, prispějete tým k úspore energie a vody. Informácie o správnom nakladaní riadu nájdete v kapitole s názvom **NAKLADANIE KOŠOV.** V prípade čiastočného naplnenia sa odporúča používať špecializované možnosti umývania (Polovičná náplň/Zónové umývanie/Multizónové umývanie), ak sú k dispozícii, a naplniť iba konkrétne koše. Pri nesprávnom alebo nadmernom naplnení sa môže zvýšiť spotreba umývačky (či už ide o spotrebu vody, energie, času alebo väčšiu mieru hluku), čo povedie k zníženiu výkonu pri umývaní a sušení.
- Manuálne predbežné oplachovanie kuchynského riadu má za následok zvýšenú spotrebu vody a energie, a preto sa neodporúča.

HYGIENA

Aby ste sa vyhlili zápachu a usadeninám, ktoré sa môžu nahromadiť v umývačke, **aspoň raz do mesiaca spustite program s vysokou teplotou.** Do prázdnej umývačky dajte čajovú lyžičku umývacieho prostriedku a pustite ju naprázdno, aby sa vyčistila.

ODOLNOSŤ VOČI MRAZU

Ak je spotrebič umiestnený v prostredí s rizikom mrazu, **je potrebné z neho úplne vypustiť vodu.** Uzavrte vodovodný kohútik, odstráňte privodnú a odtokovú hadicu a nechajte vodu vyteciť. **Presvedčte sa, že zmäkčovač vody je plný rozpustenej regeneračnej soli v zásobníku soli,** aby bol spotrebič chránený pred teplotami až do -20°C.

Ak bol spotrebič uskladnený v podmienkach, kde mrzlo, musí pred prvým spustením **aspoň 24 hodín** stáť pri okolitej teplote minimálne 5°C.

TABUĽKA PROGRAMOV

Program	Opis programov	Fáza sušenia	Natural-Dry	Dostupné možnosti ¹⁾	Trvanie umývacieho programu (h:min)**)	Spotreba vody (litre/cyklus)	Spotreba energie (kWh/cyklus)
P1 Eco	Eko 50° - Program Eco je vhodný na umývanie bežne zašpineného kuchynského riadu, preto ide o najefektívnejší program na tento účel z hľadiska spotreby energie a vody, ktorý sa používa na stanovenie súladu s legislatívou Ecodesign v rámci EÚ.	✓	✓	1/3	4:00	9,5	0,64
P2	Auto Intenzívne 65° - Automatický program na silne znečistený riad a panvice.	✓	✓	1/3	2:25-3:10	15,5-24,5	1,30-1,70
P3	Automatický Zmiešaný 55° - Automatický program na normálne znečistený riad so zasušenými zvyškami jedla.	✓	✓	1/3	1:20-3:00	7,5-19,5	0,75-1,20
P4	Automatický Rýchly 50° - Automatický program na normálne a trochu znečistený riad. Každodenný cyklus, ktorý zabezpečuje optimálny výsledok umývania a sušenia v kratšom čase.	✓	✓	1/3	1:00-1:50	7,5-15,5	0,70-1,10
P5	Rýchly 45° - Program, ktorý sa odporúča pre obmedzené množstvo trochu znečisteného riadu bez zasušených zvyškov jedla. Neobsahuje fázu sušenia.	-	✓		0:30-0:40	10-12	0,55-0,65
P6	Krištáľové 45° - Program na krehké kusy riadu, ktoré sú citlivejšie na vysoké teploty, napríklad poháre a šálky	✓	✓		1:40-1:50	12,5-16,5	0,95-1,20
P7	Tichý 55° - Vhodný na nočnú prevádzku spotrebiča. Zabezpečuje optimálne umývanie a sušenie s najnižšou hlučnosťou.	✓	✓		3:50-4:10	10,5-14,5	0,80-1,15
P8	Dezinfekcia 65° - Normálne až silne zašpinený riad – zahŕňa dodatočné antibakteriálne opláchnutie. Možno ho použiť na údržbu umývačky.	✓	-	1/3	1:55-2:10	12-19	1,40-1,80
P9	Predumývanie - Na odmočenie riadu, ktorý sa bude umývať neskôr. Pri tomto programe sa nepoužíva umývací prostriedok.	-	✓		0:12	4,5	0,10
P10	Autočistenie 65° - Program určený na údržbu umývačky sa musí spúšťať iba v PRÁZDNEJ umývačke s použitím špeciálnych prostriedkov určených na údržbu umývačky.	-	-		1:15	11,0	1,10

Údaje z programu EKO sú namerané v laboratórnych podmienkach podľa európskej normy EN 60436:2020.

Poznámka pre Skúšobné laboratóriá: O informácie o podmienkach vykonania komparatívnej skúšky EN môžete požiadať na adrese: dw_test_support@whirlpool.com

Príprava riadu pred umývaním nie je potrebná pri nijakom programe.

*) Nie všetky možnosti možno použiť súčasne s inými.

***) Hodnoty uvedené pri iných programoch ako Eko sú iba orientačné. Skutočný čas sa môže líšiť v závislosti od mnohých faktorov, ako sú teplota a tlak privádzanej vody, teplota vmiestnosti, množstvo umývacieho prostriedku, množstvo a typ vloženého riadu, jeho rozloženie, ďalšie zvolené možnosti akalibrácia senzoru.

Kalibrácia senzoru môže predĺžiť trvanie programu až o 20 minút.

MOŽNOSTI A FUNKCIE

MOŽNOSTI možno zvoliť/zrušiť po zvolení programu priamo stlačením príslušného tlačidla (ak sú dostupné, rozsvieti sa kontrolka) (pozri OVLÁDACÍ PANEL). Ak možnosť nie je kompatibilná so zvoleným programom (pozri TABUĽKU PROGRAMOV), 3 razy rýchlo zabliká príslušná LED kontrolka a ozve sa pípanie. Možnosť sa neaktivuje. Voliteľnou možnosťou možno zmeniť čas alebo spotrebu vody alebo energie pre program.

POWER CLEAN® - Vďaka prídavným výkonným dýzám táto funkcia umožňuje intenzívnejšie a účinnejšie umývanie v spodnom koši, v špecifickej oblasti. Táto možnosť sa používa na umývanie hrncov a kastrolov (Pozri časť Power Clean® naplnenie).

POLOVIČNÁ NÁPLŇ - Ak máte na umývanie málo riadov, používa sa polovičná náplň pre úsporu vody, elektriny alebo času v závislosti od zvoleného programu.

Nezabudnite znížiť množstvo umývacieho prostriedku.

EXTRA SUŠENIE - Vyššia teplota počas záverečného oplachovania a predĺžená fáza sušenia umožňuje lepšie sušenie. Možnosť EXTRA SUŠENIE predĺži cyklus umývania.

ODLOŽENÝ ŠTART-Začiatok programu možno posunúť o **30 minút** až **24 hodín**.

1. Zvoľte program a akúkoľvek želanú možnosť. Opakovane stlačte tlačidlo ODKLAD, čím posuniете začiatok programu. Dá sa nastaviť čas 0:30 až 24 hodín. Po dosiahnutí nastavenia 24 hodín znova stlačte ODKLAD na vypnutie funkcie ODKLAD.
2. Stlačte tlačidlo START/Pauza (ŠTART/Pauza) a zatvorte dvierka do 4 sekúnd.
3. Po uplynutí zvoleného času kontrolka zhasne a program sa automaticky spustí.

Po spustení programu už funkciu posunutia štartu nemožno nastaviť.

OBLÚBENÝ - Oblúbený program možno uložiť a bude ľahko prístupný. Vyhľadajte program pomocou PREDCHÁDZAJÚCI/ĎALŠÍ a potom na 3 sekundy stlačte tlačidlo OBLÚBENÝ program.

ZATVORENÝ VODOVODNÝ VENTIL - **Upozornenie** - Bliká v prípade žiadneho prítoku vody alebo zatvoreného vodovodného ventilu.

SVETLO NA PODLAHE - Svetielko kontrolky LED premietané na dlážku signalizuje, že umývačka pracuje. Svetlo zhasne na konci cyklu. Svetlo zhasne na konci cyklu. Jedná sa o predvolenú funkciu, ktorú môžete zmeniť v "MENU NASTAVENIA."

NaturalDry - je konvekčný systém sušenia, ktorý automaticky otvorí dvierka počas/po fáze sušenia, čím zaistí výnimočný výsledok sušenia každý deň. Dvierka sa otvárajú pri teplote, ktorá neohrozí váš kuchynský nábytok, preto sa neotvorí. Ako doplnková ochrana pred parou bola k umývačke priložená špeciálne navrhnutá ochranná fólia.

Spôsob montáže ochrannej fólie nájdete v NÁVODE NA INŠTALÁCIU. Táto funkcia je aktivovaná štandardne, ale je možné ju deaktivovať v ponuke PONUKA NASTAVENÍ.

ODVÁPNIŤ - **Upozornenie** - Bolo zistené nahromadenie vodného kameňa na vnútorných komponentoch spotrebiča. Skontrolujte, či máte v **Nastaveniach Tvrdosti Vody** správnu hodnotu a v zásobníku soli **sol** (pozri PRVÉ POUŽITIE), potom použite **odvápňovací prostriedok** (odporúča sa značka WPro) s **programom Autočistenie**. Po úspešnom odvápnení sa ikonka už nebude zobrazovať.

Ak sa vyššie uvedené činnosti nevykonajú, výkon spotrebiča sa zhorší. Upozornenie ODVÁPNIŤ začne blikat a na displeji sa zobrazí „des“. Ak sa činnosť napriek tomu nevykoná, spotrebič dovolí spustiť iba určitý počet cyklov (zobrazený pri upozornení „des“ na displeji) a potom sa **ZABLOKUJE**, aby zabránil poškodeniu komponentu, a **bude k dispozícii iba program Autočistenie**. Vykonanie odvápnenia spotrebič odblokuje. V prípade mimoriadne veľkého množstva vodného kameňa možno odvápnenie vykonať dva razy, aby bolo účinné.

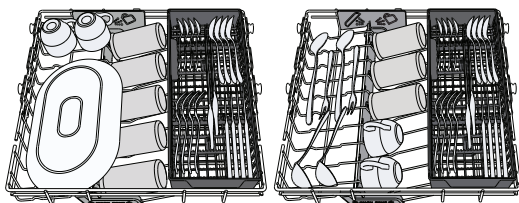
SNÍMANIE - Keď senzor zisťuje úroveň znečistenia, na displeji sa zobrazí animácia (asi 20 minút) a trvanie cyklu sa aktualizuje. Snímanie je pre úroveň znečistenia riadu a je pri všetkých cykloch (okrem Eko) a príslušne upraví progra.

UKLADANIE RIADU DO KOŠOV

KAPACITA: 14 štandardných súprav

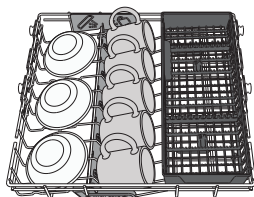
NAJVYŠŠÍ KÔŠ

Najvyšší kôš poskytuje cieleňú umývaciu zónu pre misky, hrnceky, ale aj pre väčšie tanierie a príbor, ktoré by ste normálne uložili do spodných košov, čím vznikne viac priestoru pre ostatný každodenný riad.



Vďaka oddelenému uloženiu sa príbor po umytí ľahšie vyberá a dosiahne sa lepší výsledok umývania a sušenia.

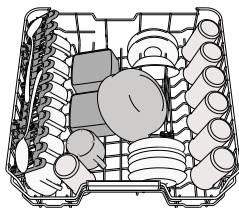
Nože a ostatné kuchynské náčinie s ostrými okrajmi treba uložiť čepeľami nadol.



VRCHNÝ KÔŠ

Ukladajte doň krehké a ľahké nádoby: poháre, šálky, tanieriky, nízke šalátové misky. Vrchný kôš má oporu proti prevráteniu, ktorú možno použiť vo vertikálnej polohe pri ukladaní podšálok a dezertných tanierikov alebo v spodnej polohe na ukladanie misiek a nádob na jedlo.

(príklad naplnenia vrchného koša)



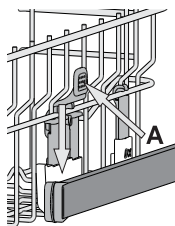
Nastavenie výšky vrchného koša

Výška vrchného koša je nastaviteľná: vysoká poloha umožňuje uložiť do spodného koša objemný riad a nízka poloha umožňuje čo najlepšie využiť opory proti prevráteniu vytvorením väčšieho miesta smerom nahor a vyhnúť sa tomu, aby riad narážal o veci v spodnom koši.

Vrchný kôš je vybavený **nastavovačom výšky vrchného koša** (pozri obrázok), bez stláčania páčok ho jednoducho nadvihnete uchopením bočnic koša, len čo je kôš v stabilnej hornej polohe.

Na vrátenie do spodnej polohy stlačte páčky **A** na bočkoch koša a posuňte kôš nadol.

V žiadnom prípade neodporúčame nastavovať výšku koša, keď je plný. NIKDY nezdvíhajte ani nespúšťajte kôš iba na jednej strane.



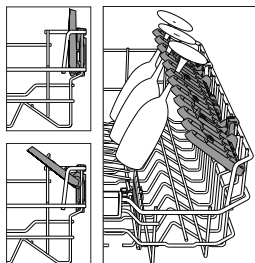
Skĺpacie klapky s nastaviteľnou polohou

Bočné sklápacie opierky je možné sklopiť alebo vyklopiť, aby bolo možné optimalizovať usporiadanie riadu v zásuvke.

Vínové poháre možno bezpečne uložiť do sklápacích opierok vložением stopky pohára do príslušnej štrbiny.

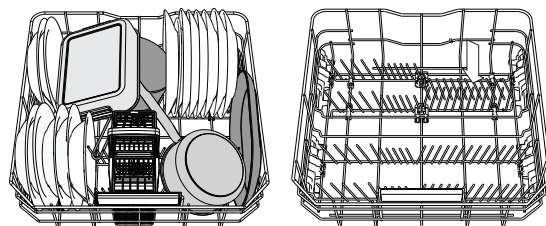
V závislosti od modelu:

- pri vyklápaní opierku posuňte hore a otočte ju alebo ju uvoľnite zo západiek a potiahnite ju dole.
- pri sklápaní opierku otočte a zasuňte ju dole alebo ju vytiahnite hore a zatlačte do západiek.



SPODNÝ KÔŠ

Na hrnce, pokrievky, tanierie, šalátové misky, príbor a pod. Veľké tanierie a pokrievky by mali byť uložené po bokoch, aby na ne ostrekovacie ramená nenarážali. Spodný kôš má opory proti prevráteniu, ktoré možno použiť v zvislej polohe pri ukladaní tanierov alebo v horizontálnej polohe (nižšie) pre ľahké uloženie panvic a šalátových misiek.



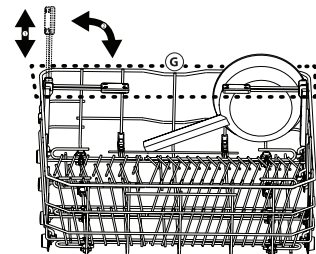
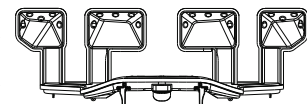
(príklad naplnenia spodného koša)

POWER CLEAN®

Funkcia Power Clean® využíva špeciálne vodné dýzy v zadnej časti priestoru na intenzívne umývanie veľmi špinavých nádob. Spodný kôš má oddeľovaciu zónu, špeciálnu vyťahovaciu oporu v zadnej časti koša, ktorá môže slúžiť na podopretie panvic alebo plechov na pečenie, aby boli v zvislej polohe a zabrali tak menej miesta. Po umiestnení hrncov/kastrólov oproti komponentu Power Clean® aktivujte na ovládacom paneli **POWER CLEAN**.

Ako používať Power Clean®:

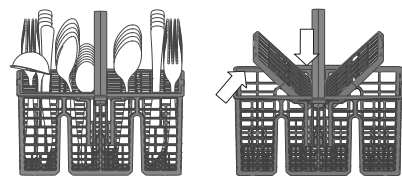
1. Upravte priestor Power Clean® (G) sklopením zadných držiakov tanierov, aby sa tam zmestili hrnce.
2. Vložte vertikálne naklonené hrnce a kastróly do oblasti Power Clean®. Hrnce musia byť naklonené smerom k vodným dýzám.



Košik na príbor

Je vybavený hornou mriežkou na lepšie rozloženie príboru. Musí byť uložený iba v prednej časti spodného koša.

Nože a ostatné kusy príboru s ostrými hrotmi treba uložiť do košíka na príbor hrotmi nadol, alebo musia byť uložené vodorovne v naklonených priehradkách na vrchom koši.



STAROSTLIVOSŤ A ÚDRŽBA

ČISTENIE ZOSTAVY FILTRA

Zostavu filtra pravidelne čistite, aby sa filtre neupchali a odpadová voda mohla správne odtekať.

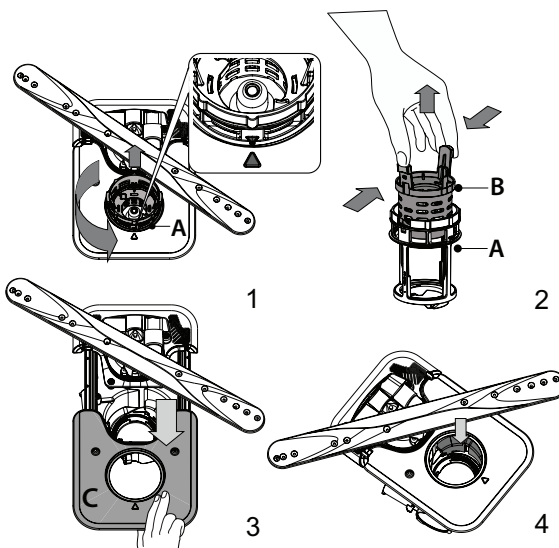
Ak používate umývačku riadu s upchatými filtermi alebo s cudzími telesami vo filtračnom systéme či v ostrekovacích ramenách, môže to spôsobiť poruchu s následným zhoršením výkonu, nárastom hluku alebo zvýšením spotreby. Zostava filtra pozostáva z troch filtrov, ktoré odstraňujú zvyšky jedla z umývačky a potom vodu recirkulujú.

Umývačku nesmiete používať bez filtrov, alebo ak je filter uvoľnený.

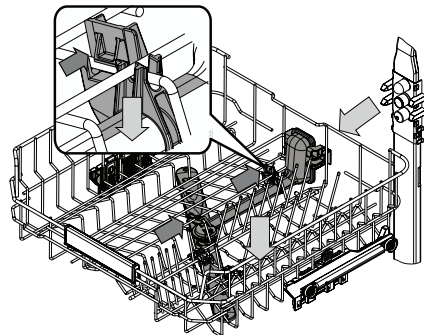
Aspoň raz mesačne alebo zakaždým po 30 cykloch skontrolujte zostavu filtra a v prípade potreby ju pomocou nekovovej kefy dôkladne vyčistite pod tečúcou vodou podľa nižšie uvedených pokynov:

1. Otočte valcovým filtrom **A** proti smeru hodinových ručičiek a vytiahnite ho (obr. 1). **Je dôležité, aby sa pri opätovnej inštalácii filtra dva trojuholníky zobrazené na zväčšenine stretli.**
2. Vytiahnite vrchný filter **B** jemným zatlačením na bočné klapky (obr. 2).
3. Vyberte plechový filter z nehrdzavejúcej ocele **C** (obr. 3).
4. V prípade, že nájdete cudzie telesá (napr. úlomky skla, porcelánu, kostí, ovocné semená a pod.), **opatrne ich vyberte.**
5. Skontrolujte sifón a odstráňte zvyšky jedla. **NIKDY NEVYBERAJTE ochranu čerpadla (označené šípku) (obr. 4).**

Po vyčistení filtrov zostavu filtrov vložte na miesto a zafixujte v správnej polohe; je to dôležité pre správnu činnosť umývačky.

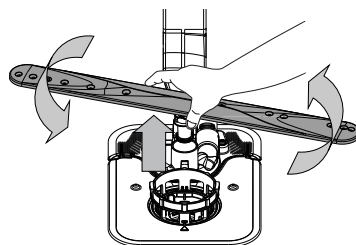


ČISTENIE OSTREKOVACÍCH RAMIEN

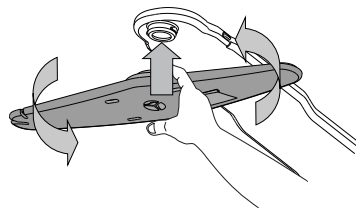


Občas sa zvyšky jedla môžu zasušiť aj na ostrekovacích ramenách a zablokovať diery, cez ktoré strieka voda. Preto sa odporúča občas ramená kontrolovať a čistiť ich malou nekovovou kefkou.

Ak chcete odstrániť horný ostrekovač, musíte ho odstrániť spolu s prírodným potrubím.



Spodné ostrekovacie rameno možno vybrať potiahnutím nahor a otočením proti smeru hodinových ručičiek. Znovu ho namontujete potiahnutím nadol a otočením v smere hodinových ručičiek.



Horné ostrekovacie rameno možno vybrať zatlačením nahor a otočením proti smeru hodinových ručičiek. Znovu ho namontujete potiahnutím nahor a otočením v smere hodinových ručičiek.

Najvyšší kôš má umývaciu vaničku so všetkými umývacími dýzami otočenými nahor. Ak ju chcete vyčistiť, kôš vysuňte von a pinzetou odstráňte kúsky, ktoré mohli uviaznuť v dýzach.

RIEŠENIE PROBLÉMOV

Ak vaša umývačka riadnu nefunguje správne, zistite, či problém nemožno vyriešiť po konzultácii s nasledujúcim zoznamom. V prípade ďalších chýb a problémov sa obráťte na autorizovaný popredajný servis, pričom kontaktné údaje nájdete v záručnej knižke. Náhradné diely budú k dispozícii počas 7 alebo až 10 rokov podľa konkrétnych požiadaviek nariadení.

PROBLÉMY	MOŽNÉ PRÍČINY	RIEŠENIA
Kontrolka soli svieti.	Zásobník soli je takmer prázdny.	Doplňte do zásobníka soľ (ďalšie informácie - pozri <i>PLNENIE ZÁSOBNÍKA SOLI</i>). V prípade potreby skontrolujte nastavenie tvrdosti vody - pozri <i>TABUĽKA TVRDOSTI VODY</i> .
Kontrolka soli bliká	Zásobník soli je prázdny.	Čo najskôr doplňte do zásobníka soľ. Používanie spotrebiča bez soli môže poškodiť jeho vnútorné komponenty.
Kontrolka leštidla svieti alebo bliká	Dávkovač leštidla je prázdny. (Po doplnení leštidla môže kontrolka ešte krátko svietiť).	Naplňte dávkovač leštidlom (viac informácií - pozri <i>PLNENIE DÁVKOVAČA LEŠTIDLA</i>).
Kontrolka odvápnenia svieti alebo bliká; Zobrazuje sa varovanie „dES“.	Na vnútorných komponentoch spotrebiča sa hromadí vodný kameň.	Okamžite spotrebič odvápnite pomocou programu Autočistenie a komerčne dostupného odvápnovacieho prostriedku (pozri <i>MOŽNOSTI A FUNKCIE</i>). Doplňte do zásobníka soľ. Skontrolujte nastavenie tvrdosti vody. Ak spotrebič nie je odvápnenny, prestane pracovať.
Umývačka sa nespúšťa a nereaguje na príkazy.	Spotrebič nie je riadne pripojený do elektrickej zásuvky.	Zastrčte zástrčku do zásuvky.
	Výpadok prúdu.	Z bezpečnostných dôvodov sa po obnove prívodu elektrickej energie umývačka riadu nereštaruje automaticky. Otvorte dverka umývačky, stlačte tlačidlo ŠTART/Pauza a zatvorte dverka do 4 sekúnd.
	Dvierka umývačky nie sú zatvorené. Kolík NaturalDry nie je vtiahnutý.	Energicky dvierka zatlačte tak, aby ste počuli „cvaknutie“.
	Cyklus je prerušený otvorením dvierok na viac ako 4 sekundy.	Do 4 sekúnd zatvorte dvierka a stlačte tlačidlo ŠTART/Pauza.
Z umývačky neodtiekla voda. Zobrazenie na displeji: F7 E3 alebo F9 E1	Filter je upchatý zvyškami jedla alebo vodným kameňom.	Vyčistite filter a spotrebič odvápnite (pozri <i>ČISTENIE ZOSTAVY FILTRA</i> a <i>NÁVOD NA ODVÁPNENIE</i>).
	Zalomená odtoková hadica.	Skontrolujte odtokovú hadicu (pozri <i>NÁVOD NA INŠTALÁCIU</i>).
	Odtokové potrubie drezu je upchaté.	Vyčistite odtokové potrubie drezu.
Umývačka vydáva nadmerný hluk.	Nádoby o seba hrkocú.	Uložte nádoby správne (pozri <i>UKLADANIE RIADU DO KOŠOV</i>).
	Vzniká nadmerné množstvo pary.	Umývací prostriedok nebol dávkovaný správne alebo nie je vhodný do umývačiek (pozri <i>PLNENIE DÁVKOVAČA UMÝVACIEHO PROSTRIEDKU</i>). Reštartujte aktuálny cyklus vypnutím umývačky, potom ju znova zapnite, zvolte nový program, stlačte ŠTART/Pauza a do 4 sekúnd zatvorte dverka. Nepridávajte čistiaci prostriedok.
	Riad nebol správne uložený.	Uložte nádoby správne (pozri <i>UKLADANIE RIADU DO KOŠOV</i>).
	Filter je upchatý zvyškami jedla alebo vodným kameňom.	Vyčistite zostavu filtrov (pozri <i>STAROSTLIVOSŤ A ÚDRŽBA</i>).
Riad nie je čistý.	Riad nebol správne uložený.	Uložte nádoby správne (pozri <i>UKLADANIE RIADU DO KOŠOV</i>).
	Ostrekovacie ramená sa nemôžu voľne točiť, bránia im v tom kusy riadu.	Uložte nádoby správne (pozri <i>UKLADANIE RIADU DO KOŠOV</i>). Skontrolujte, či je horný kôš v správnej polohe a prípade potreby ho upravte (zdvihnite).
	Umývací cyklus je príliš jemný.	Vyberte príslušný umývací cyklus (pozri <i>TABUĽKU PROGRAMOV</i>).
	Vzniká nadmerné množstvo pary.	Umývací prostriedok nebol dávkovaný správne alebo nie je vhodný do umývačiek riadu (pozri <i>PLNENIE DÁVKOVAČA UMÝVACIEHO PROSTRIEDKU</i>).
	Veko priehradky na leštadlo nebolo správne uzavreté.	Presvedčte sa, či je veko dávkovača leštidla uzavreté.
	Filter je upchatý zvyškami jedla alebo vodným kameňom.	Vyčistite filter a spotrebič odvápnite (pozri <i>ČISTENIE ZOSTAVY FILTRA</i>).
Umývačka sa neplní vodou. Zobrazenie na displeji: H2O a svieti; ozýva sa zvukový alarm.	Zásobník soli je prázdny.	Naplňte zásobník soli (pozri <i>PLNENIE ZÁSOBNÍKA SOLI</i>).
	V prívode nie je voda alebo je uzavretý ventil.	Presvedčte sa, či je v prívode voda a či je kohútik otvorený.
	Prívodná hadica je ohnutá.	Skontrolujte prívodnú hadicu (pozri <i>INŠTALÁCIA</i>). Otvorte dverka umývačky, stlačte tlačidlo ŠTART/Pauza a zatvorte dverka do 4 sekúnd.
	Sieťko v prívodnej hadici je upchaté. Je nevyhnutné ho vyčistiť.	Skontrolujte a vyčistite sieťko v prívodnej hadici. Otvorte dverka umývačky, stlačte tlačidlo ŠTART/Pauza a zatvorte dverka do 4 sekúnd.

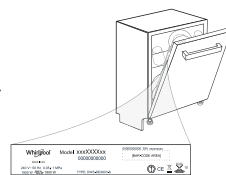
PROBLÉMY	MOŽNÉ PRÍČINY	RIEŠENIA
Umývačka predčasne ukončuje cyklus. Zobrazenie na displeji: F8 E3	Filter je upchatý zvyškami jedla alebo vodným kameňom.	Vyčistite filter a spotrebič odvápnite (<i>pozri ČISTENIE ZOSTAVY FILTRA a NÁVOD NA ODVÁPNEŇIE</i>).
	Odtoková hadica je umiestnená príliš nízko alebo voda odteká do domáceho odpadového systému.	Skontrolujte, či je koniec odtokovej hadice umiestnený v správnej výške (<i>pozri INŠTALÁCIA</i>). Skontrolujte odvádzanie do systému domového odpadu, v prípade potreby namontujte vypínač odtoku/ventil prívodu vzduchu.
	Vzniká nadmerné množstvo pary.	Umývací prostriedok nebol dávkovaný správne alebo nie je vhodný do umývačiek riadu (<i>pozri PLNENIE DÁVKOVAČA UMÝVACIEHO PROSTRIEDKU</i>).
	V prívode vody je vzduch.	Skontrolujte, či v prívode vody nie sú netesnosti alebo iné problémy, pre ktoré uniká vzduch dovnútra.
Riad nie je dobre vysušený.	V dávkovači nie je leštadlo alebo je dávka príliš malá.	Presvedčte sa, či je dávkovač leštidla plný (<i>pozri PLNENIE DÁVKOVAČA LEŠTIDLA</i>). Iba multifunkčné tablety nezabezpečia taký dobrý výsledok sušenia ako použitie tekutého leštidla.
	Riad bol vyložený po automatickom otvorení dvierok, ale pred skutočným ukončením cyklu.	Predtým ako začnete riad vykladať, presvedčte sa, či sa cyklus skončil (<i>pozri KAŽDODENNÉ POUŽÍVANIE</i>). Pre ešte lepší výsledok sušenia sa odporúča nechať riad v umývačke pri otvorených dvierkach ďalších 15 minút po skončení cyklu.
	Riad je uložený príliš na plocho.	Ak v šálkach, pohároch alebo miskách zbadáte kaluže vody, skúste ukladať riad (najmä v hornom koši) väčšmi naklonený, aby väčšie množstvo vody pred sušením odtieklo.
	Zvolený cyklus nemá fázu sušenia.	Overte si v <i>TABULKE PROGRAMOV</i> , či má zvolený program fázu sušenia. Cyklus bez fázy sušenia nemusí dosahovať želanú účinnosť sušenia, preto sa odporúča vybrať radšej cyklus, ktorý má fázu sušenia.
	Nádoby majú úpravu proti pripáleniu alebo sú z plastu.	Je normálne, že na takomto type materiálu zostávajú nejaké kvapky vody.
Na riade a pohároch sú modré pásy ale majú modrastý odtieň.	Dávka leštidla je priveľmi veľká.	Nastavte dávkovanie na nižšie hodnoty.
Na riadoch a pohároch sú usadeniny vodného kameňa alebo biely povlak.	Zásobník soli je prázdny.	Čo najskôr doplňte do zásobníka soľ. Používanie spotrebiča bez soli môže poškodiť jeho vnútorné komponenty.
	Je nastavená príliš nízka tvrdosť vody.	Zvýšte hodnoty tvrdosti vody (<i>pozri TABULKU TVRDOSTI VODY</i>).
	Uzáver zásobníka soli nie je dobre zavretý.	Skontrolujte a zatvorte záver zásobníka soli.
	Zásobník leštidla je prázdny alebo dávkovanie leštidla je nedostatočné.	Naplňte dávkovač leštidlom a skontrolujte nastavenie dávkovania (viac informácií nájdete - <i>pozri PLNENIE DÁVKOVAČA LEŠTIDLA</i>).
Umývačka riadu zobrazuje F8 E5	Ventil je zablokovaný alebo chybný.	Zatvorte ventil prívodu vody, ak je to možné. Nevypínajte napájanie. Zavolajte servis.



Firemné zásady, štandardnú dokumentáciu, objednávanie náhradných dielov a ďalšie informácie o produkte nájdete na:

- Pomocou QR kódu a na našej webovej stránke: docs.whirlpool.eu/docs
- Na našej webovej stránke: parts-selfservice.europeanappliances.com
- Prípadne **sa obráťte na náš popredajný servis** (Telefónne číslo nájdete v záručnej knižke). Pri kontaktovaní nášho popredajného servisu uvedte, prosím, kódy z výrobného štítku vášho spotrebiča.

Informácie o modele získate cez QR kód na energetickom štítku. Na štítku tiež nájdete identifikačné číslo modelu, ktoré môžete použiť na vyhľadávanie v registri na portáli <https://eprel.ec.europa.eu>.



400020003108B

05/2024 ks - Xerox Fabriano

