

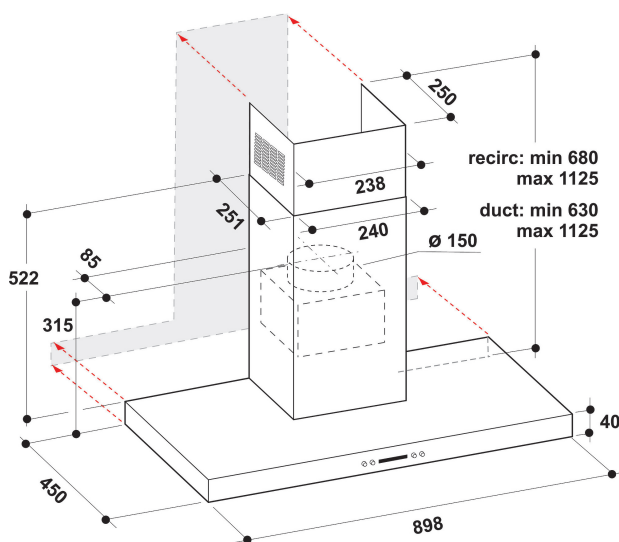
WHBS 93 F LE X

12NC: 859991549880

GTIN (EAN) code: 8003437233111

Whirlpool

SENSING THE DIFFERENCE



- Maximum noise level 69 dBA
- Air Flow (min. - max.): 285, 610, booster 720 m³/h
- Maximum extraction rate: 610 (m³/h)
- Energy class B
- Extraction / Recirculation Rate
%Z_REQ_MAX_OUT_EXTRACTION% / 330 m³/h
- 4 speed settings + booster
- Odour Filter
- ZenMode
- 2 LED, 5 W lamps
- 1 x 250 W motor
- Electronic Soft buttons
- 3 Washable aluminium filters
- Timer
- Grease Filtering Efficiency Class: C
- Lighting Efficiency Class: A
- Fluid Dynamic Efficiency Class: B

Whirlpool wall mounted cooker hood - WHBS 93 F LE X

This Whirlpool wall mounted Cooker Hood features: dishwasher-safe, washable aluminium grease filters. LED lights for ideal lighting. An outstanding cooker extractor fan, ensuring a fresh, grease-free cooking environment. Between 60cm and 90cm wide appliance. New design ensuring extra silent performance.



LED lighting

Increased energy and cost efficiency. The LED lighting system lasts 10 times longer than traditional bulbs and uses 90% less energy.



ZenMode

Providing the ideal balance between performance and silence, Whirlpool's ZenMode ensures the hood is powerful enough to keep the air fresh and clean while making the kitchen a quieter, more enjoyable place for cooking and socialising.



Electronic control

Effortless control. This Whirlpool Hood includes an intuitive electronic user interface, designed to provide you with the simplest, most satisfying user experience ever.



4 Speeds

Versatile performance. This Whirlpool Hood offers 4 speed options, giving you complete control over the extraction rate.



Wall-mounted installation

Wall-mounted installation. This wall-mounted Whirlpool Hood is a breeze to install.



Total annual energy consumption

Ideal performance, outstanding savings. Whirlpool Hoods are designed to provide exceptional results, while reducing energy costs.



Carbon Filter Included

Enjoy fresh air in your kitchen, always. This Whirlpool Hood includes a carbon purifying air filter, that effectively protects your kitchen from odours and grease.



Flexible Installation

Flexible installation options. This Whirlpool Hood can be operated in either Ducted or Recirculated mode (filter needed), so you can enjoy complete freedom when designing your kitchen.



Booster

Odour-free cooking. This Whirlpool Hood features an extraction booster, that ensures ideal air filtration and odour and grease aspiration.

WHBS 93 F LE X

12NC: 859991549880

GTIN (EAN) code: 8003437233111

Whirlpool

SENSING THE DIFFERENCE

MAIN FEATURES

Product group	Hood
Colour body	Inox
Material body	Stainless steel
Colour chimney	Inox
Material chimney	Stainless steel
Typology	Wall-mounted
Installation type	Wall-mounted
Type of control	Electronic
Type of control settings	-
Decor panel options	N/A
Motor location	Integrated motor in hood chimney
Operating Mode	Convertible
Electrical connection rating (W)	255
Current (A)	1,1
Voltage (V)	220-240
Frequency (Hz)	50
Length of Electrical Supply Cord (cm)	150
Plug type	Schuko
Chimney height (mm)	530-1125
Height of product, without chimney (mm)	40
Height of the product	680
Width of the product	898
Depth of the product	450
Minimum niche height	0
Minimum niche width	0
Niche depth	0
Net weight (kg)	19.3

TECHNICAL FEATURES

Type of manual control devices	Soft buttons
Type of automatic control devices	-
Number of motors	1
Total power of the motors (W)	250
Number of speed settings: boost option availability	4
Boost presence	Yes
Maximum output air extraction (m ³ /h)	713
Boost position air extraction (m ³ /h)	720
Maximum output recirculating air (m ³ /h)	330
Boost position output recirculating (m ³ /h)	330
Light Control Type	On/Off
Number of lights	2
Type of lamps used	LED
Total power of the lamps (W)	5
Diameter of air outlet (mm)	150
No-return airflow flap	No
Grease filter material	Washable aluminium
Odour filter	Yes

PERFORMANCES

Sound power at min. speed (2010/30/EU)	53
Sound power at max. speed (2010/30/EU)	69
Noise level with boost position (dB(A) re 1 pW)	0

ENERG Y IJA
енергия · ενεργεια IE IA

WHIRLPOOL
WHBS 93 F LE X

A+++
A++
A+
A
B
C
D

B

62,9
kWh/annum

ABCDEFG ABCDEFG ABCDEFG

69 dB

65/2014