

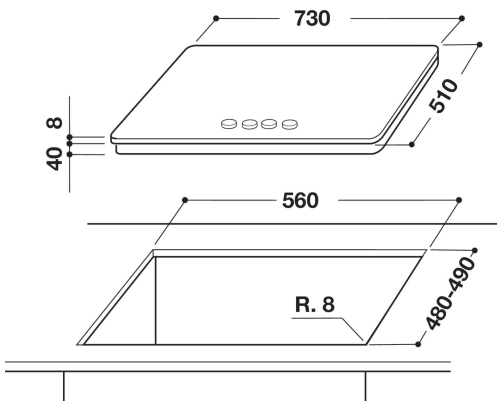
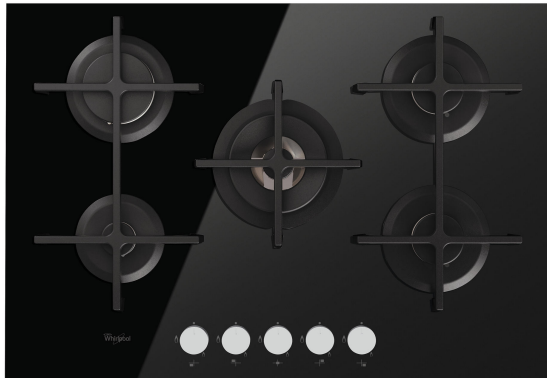
GOA 7523/NB

12NC: 859462510000

EAN code: 8003437831119

Whirlpool

SENSING THE DIFFERENCE



MAIN FEATURES

| | |
|--|------------|
| Product group | Hob |
| Construction type | Вбудована |
| Type of control | Mechanical |
| Type of control setting and signalling devices | - |
| Number of gas burners | 5 |
| Number of electric cooking zones | 0 |
| Number of electric plates | 0 |
| Number of radiant plates | 0 |
| Number of halogen plates | 0 |
| Number of induction plates | 0 |
| Number of electric warming zones | 0 |
| Location of control panel | Hob Front |
| Basic surface material | Glass |
| Main colour of product | Black |
| Electrical connection rating (W) | 0 |
| Gas connection rating (W) | 12300 |
| Current (A) | 0,2 |
| Voltage (V) | 220-240 |
| Frequency (Hz) | 50-60 |
| Length of Electrical Supply Cord (cm) | 85 |
| Plug type | Hi |
| Gas connection | Cilindric |
| Width of the product | 730 |
| Height of the product | 49 |
| Depth of the product | 510 |
| Minimum niche height | 41 |
| Minimum niche width | 560 |
| Niche depth | 480 |
| Net weight (kg) | 14 |
| Automatic programmes | Hi |

TECHNICAL FEATURES

| | |
|-------------------------|-----------|
| Power on indicator | Hi |
| Plate on indicator | 0 |
| Type of regulation | Semirapid |
| Type of lid | Without |
| Residual heat indicator | without |
| Main on/off switch | Hi |
| Safety device | - |
| Timer | Hi |

ENERGY LABEL

Energy input

Gas