

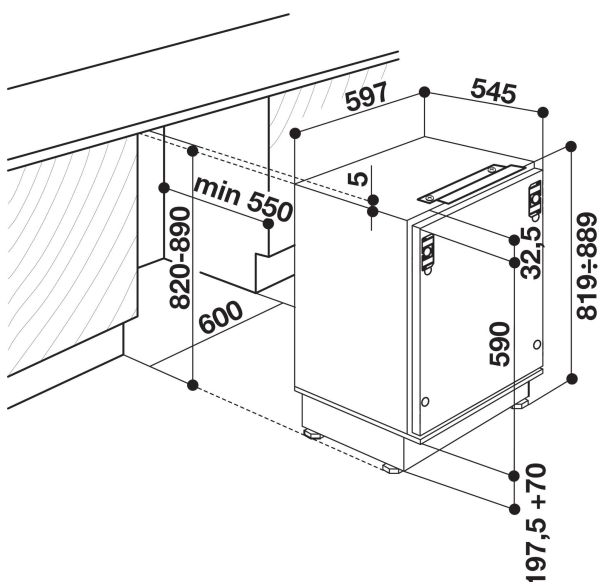
AFB 828/A+

12NC: 850482896000

EAN code: 8003437132070

Whirlpool

SENSING THE DIFFERENCE



MAIN FEATURES

Product group	Zamrzivači
Commercial code	AFB 828/A+
EAN code	8003437132070
Construction type	Built-in
Installation type	Ugradno-podpultni
Type of control	Mechanical
Main colour of product	White
Connection rating (W)	110
Current (A)	13
Voltage (V)	220-240
Frequency (Hz)	50
Length of Electrical Supply Cord (cm)	245
Plug type	Schuko
Total unit net capacity (l)	94
Height of the product	817
Width of the product	596
Depth of the product	544
Maximum adjustability feet	0
Net weight (kg)	35
Gross weight (kg)	37
Door hinge	-

TECHNICAL FEATURES

Defrost process	Manual
Fast freezing function	Yes
Temperature adjustable freezer	-
Freezer section with thaw water drainage system	Ne
Number of drawers/baskets	2
Lockable door	-
Thermometer freezer section	None
Light	-

ENERGY LABEL

Energy efficiency class - NEW (2010/30/EC)	A+
Freezing capacity (kg/24h) - NEW (2010/30/EC)	12
Temperature rise time (h)	28
Climate class	SN-T
Frost free system	Ne
Freezer Net capacity (l) - NEW (2010/30/EC)	94