

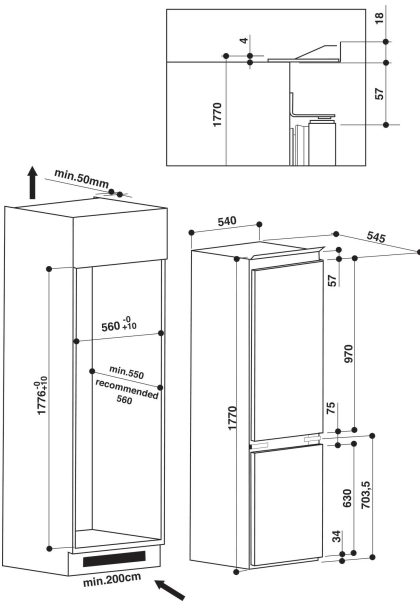
# ART 1176/A++ SF

12NC: 856439296060

EAN code: 8003437040702



SENSING THE DIFFERENCE



## MAIN FEATURES

Product group	Kombinovaná chladnička s mrazničkou
Installation type	Vstavaná
Type of control	Electronic
Construction type	Vstavaná
Main colour of product	Nerez
Connection rating (W)	140
Current (A)	16
Voltage (V)	220-240
Frequency (Hz)	50
Number of compressors	1
Length of Electrical Supply Cord (cm)	245
Plug type	Schuko
Total unit net capacity (l)	275
Star Rating	4
Height of the product	1770
Width of the product	540
Depth of the product	545
Maximum adjustability feet	0
Net weight (kg)	50.60

## TECHNICAL FEATURES

Defrost process fridge section	Automatic
Defrost process freezer section	Manual
Fast cooling switch	Áno
Fast freezing function	Nie
Door opened indicator freezer	Nie
Temperature adjustable	Áno
Temperature adjustable freezer	Nie
Interior ventilator fridge section	Áno
Number of freezing drawers	3
Automatic motor-driven ice-maker	N/A
Number of shelves in fridge compartment	5
Material of the shelves	Glass With Profile
Thermometer fridge section	None
Thermometer freezer section	None
Number of temperature zones	2

## ENERGETICKÝ ŠTÍTK

Energy efficiency class - NEW (2010/30/EC)	A++
Energy consumption annual (kWh/annum) - NEW (2010/30/EC)	235
Refrigerator Net capacity (l) - NEW (2010/30/EC)	195
Freezer Net capacity (l) - NEW (2010/30/EC)	80
Freezing capacity (kg/24h) - NEW (2010/30/EC)	3.50
Climate class	SN-T
Noise level (dB(A) re 1 pW)	35
Frost free system	Nie