

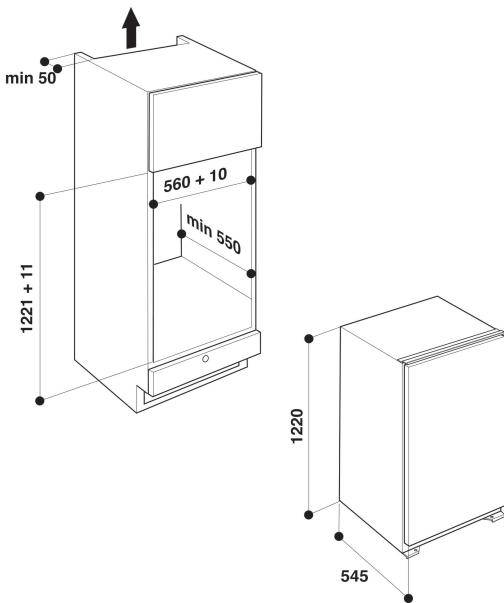
ARG 736/A+/6

12NC: 858601596000

EAN code: 8003437135019



SENSING THE DIFFERENCE



MAIN FEATURES

Product group	Refrigerator
Commercial code	ARG 736/A+/6
EAN code	8003437135019
Construction type	Built-in
Installation type	Built-in
Type of control	Mechanical
Type of control setting and signalling devices	Mechanic
Main colour of product	White
Connection rating (W)	75
Current (A)	16
Voltage (V)	220-240
Frequency (Hz)	50
Length of Electrical Supply Cord (cm)	245
Plug type	Schuko
Total unit net capacity (l)	208
Star Rating	Automatic
Number of independent cooling systems	1
Height of the product	1221
Width of the product	540
Depth of the product	550
Depth with open door 90 degree (mm)	-
Maximum adjustability feet	0
Net weight (kg)	40
Door hinge	Right reversible

TECHNICAL FEATURES

-	-
Warning signal / Malfunction	No signal
Defrost process fridge section	Automatic
Fast cooling switch	Ne
Interior ventilator fridge section	Ne
Shelves for Bottles	Yes
Lockable door	Ne
Number of shelves in fridge compartment	5
Number of Adjustable Shelves in fridge compartment	4
Material of the shelves	Glass
Thermometer fridge section	None

ENERGY LABEL

Energy efficiency class - NEW (2010/30/EC)	A+
Energy consumption annual (kWh/annum) - NEW (2010/30/EC)	132
Refrigerator Net capacity (l) - NEW (2010/30/EC)	208
Freezer Net capacity (l) - NEW (2010/30/EC)	0
Freezing capacity (kg/24h) - NEW (2010/30/EC)	0
Temperature rise time (h)	0
Climate class	SN-T
Noise level (dB(A) re 1 pW)	35
Frost free system	Ne
Maximum ambient temperature	0
Minimum ambient temperature	0
Other Compartment	-