

Instructions for use

WASHING MACHINE

GB

GB

English,1

FR

Français,13

IT

Italiano, 25

CZ

Český,37

SK

Slovensky,49

BG

Български,61

IWB 51251

Contents

Installation, 2-3

Unpacking and levelling
Connecting the electricity and water supplies
The first wash cycle
Technical data

Care and maintenance, 4

Cutting off the water or electricity supply
Cleaning the washing machine
Cleaning the detergent dispenser drawer
Caring for the door and drum of your appliance
Cleaning the pump
Checking the water inlet hose

Precautions and tips, 5

General safety
Disposal

Description of the washing machine and starting a wash cycle, 6-7

Control panel
Indicator lights
Starting a wash cycle

Wash cycles, 8

Table of wash cycles

Personalisation, 9

Setting the temperature
Functions

Detergents and laundry, 10

Detergent dispenser drawer
Preparing the laundry
Garments requiring special care
Load balancing system

Troubleshooting, 11

Service, 12

Installation

GB

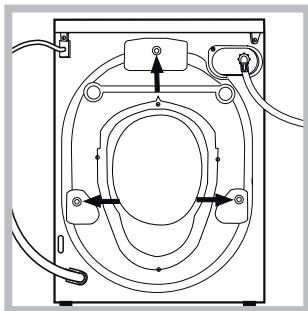
! This instruction manual should be kept in a safe place for future reference. If the washing machine is sold, transferred or moved, make sure that the instruction manual remains with the machine so that the new owner is able to familiarise himself/herself with its operation and features.

! Read these instructions carefully: they contain vital information relating to the safe installation and operation of the appliance.

Unpacking and levelling

Unpacking

1. Remove the washing machine from its packaging.
2. Make sure that the washing machine has not been damaged during the transportation process. If it has been damaged, contact the retailer and do not proceed any further with the installation process.

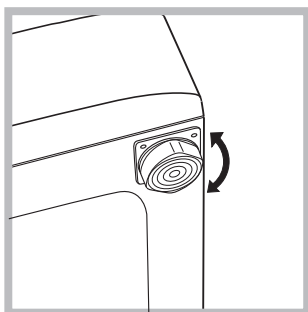


3. Remove the **3** protective screws (used during transportation) and the rubber washer with the corresponding spacer, located on the rear part of the appliance (see figure).

4. Close off the holes using the plastic plugs provided.
5. Keep all the parts in a safe place: you will need them again if the washing machine needs to be moved to another location.

! Packaging materials should not be used as toys for children.

Levelling



1. Install the washing machine on a flat sturdy floor, without resting it up against walls, furniture cabinets or anything else.

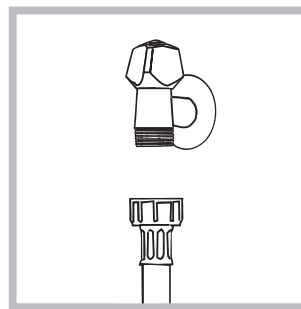
2. If the floor is not perfectly level, compensate for any unevenness by tightening

or loosening the adjustable front feet (see figure); the angle of inclination, measured in relation to the worktop, must not exceed 2°.

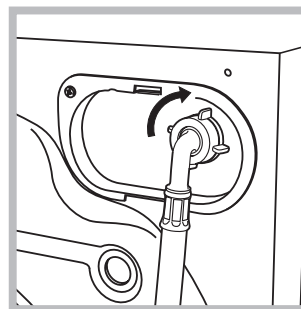
Levelling the machine correctly will provide it with stability, help to avoid vibrations and excessive noise and prevent it from shifting while it is operating. If it is placed on carpet or a rug, adjust the feet in such a way as to allow a sufficient ventilation space underneath the washing machine.

Connecting the electricity and water supplies

Connecting the water inlet hose



1. Connect the supply pipe by screwing it to a cold water tap using a $\frac{3}{4}$ gas threaded connection (see figure). Before performing the connection, allow the water to run freely until it is perfectly clear.



2. Connect the inlet hose to the washing machine by screwing it onto the corresponding water inlet of the appliance, which is situated on the top right-hand side of the rear part of the appliance (see figure).

3. Make sure that the hose is not folded over or bent.

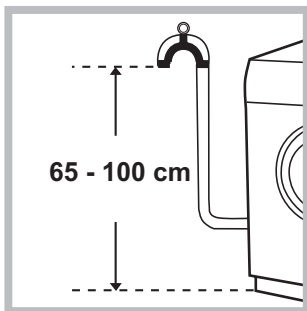
! The water pressure at the tap must fall within the values indicated in the Technical details table (see next page).

! If the inlet hose is not long enough, contact a specialised shop or an authorised technician.

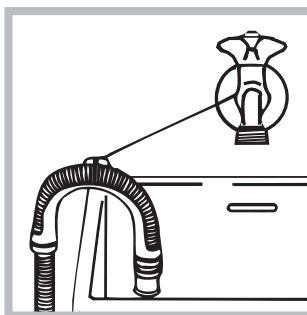
! Never use second-hand hoses.

! Use the ones supplied with the machine.

Connecting the drain hose



Connect the drain hose, without bending it, to a drainage duct or a wall drain located at a height between 65 and 100 cm from the floor;



alternatively, rest it on the side of a washbasin or bathtub, fastening the duct supplied to the tap (see figure). The free end of the hose should not be underwater.

! We advise against the use of hose extensions; if it is absolutely necessary, the extension must have the same diameter as the original hose and must not exceed 150 cm in length.

Electrical connections

Before plugging the appliance into the electricity socket, make sure that:

- the socket is earthed and complies with all applicable laws;
- the socket is able to withstand the maximum power load of the appliance as indicated in the Technical data table (see opposite);
- the power supply voltage falls within the values indicated in the Technical data table (see opposite);
- the socket is compatible with the plug of the washing machine. If this is not the case, replace the socket or the plug.

! The washing machine must not be installed outdoors, even in covered areas. It is extremely dangerous to leave the appliance exposed to rain, storms and other weather conditions.

! When the washing machine has been installed, the electricity socket must be within easy reach.

! Do not use extension cords or multiple sockets.


! The cable should not be bent or compressed.

! The power supply cable must only be replaced by authorised technicians.

Warning! The company shall not be held responsible in the event that these regulations are not respected.

The first wash cycle

Once the appliance has been installed, and before you use it for the first time, run a wash cycle with detergent and no laundry, using the wash cycle 2.

Technical data	
Model	IWB 51251
Dimensions	width 59,5 cm height 85 cm depth 51,7 cm
Capacity	from 1 to 5 kg
Electrical connections	please refer to the technical data plate fixed to the machine
Water connection	maximum pressure 1 MPa (10 bar) minimum pressure 0.05 MPa (0.5 bar) drum capacity 46 litres
Spin speed	up to 1200 rotations per minute
Test wash cycles in accordance with directives 1061/2010 and 1015/2010.	Programme 2: Cotton standard 60°C; Programme 3: Cotton standard 40°C.
	This appliance conforms to the following EC Directives: - 2004/108/CE (Electromagnetic Compatibility) - 2012/19/EU - 2006/95/EC Low Voltage)

Care and maintenance

GB

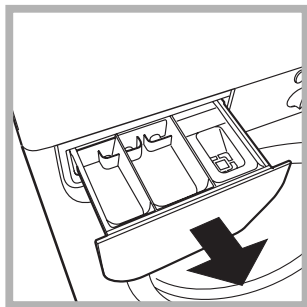
Cutting off the water and electricity supplies

- Turn off the water tap after every wash cycle. This will limit wear on the hydraulic system inside the washing machine and help to prevent leaks.
- Unplug the washing machine when cleaning it and during all maintenance work.

Cleaning the washing machine

The outer parts and rubber components of the appliance can be cleaned using a soft cloth soaked in lukewarm soapy water. Do not use solvents or abrasives.

Cleaning the detergent dispenser drawer



Remove the dispenser by raising it and pulling it out (see figure). Wash it under running water; this operation should be repeated frequently.

Caring for the door and drum of your appliance

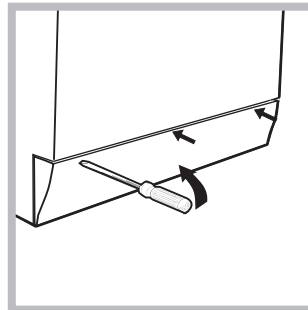
- Always leave the porthole door ajar in order to prevent unpleasant odours from forming.

Cleaning the pump

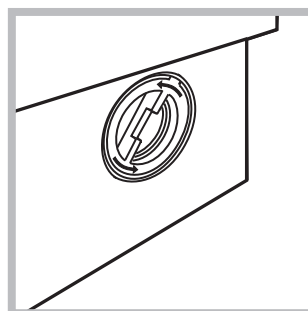
The washing machine is fitted with a self-cleaning pump which does not require any maintenance. Sometimes, small items (such as coins or buttons) may fall into the pre-chamber which protects the pump, situated in its bottom part.

! Make sure the wash cycle has finished and unplug the appliance.

To access the pre-chamber:



1. using a screwdriver, remove the cover panel on the lower front part of the washing machine (see figure);



2. unscrew the lid by rotating it anti-clockwise (see figure); a little water may trickle out. This is perfectly normal;

3. clean the inside thoroughly;
4. screw the lid back on;
5. reposition the panel, making sure the hooks are securely in place before you push it onto the appliance.

Checking the water inlet hose

Check the inlet hose at least once a year. If there are any cracks, it should be replaced immediately: during the wash cycles, water pressure is very strong and a cracked hose could easily split open.

! Never use second-hand hoses.

! This washing machine was designed and constructed in accordance with international safety regulations. The following information is provided for safety reasons and must therefore be read carefully.

General safety

- This appliance was designed for domestic use only.
- This appliance can be used by children aged from 8 years and above and persons with reduced physical, sensory or mental capabilities or lack of experience and knowledge if they have been given supervision or instruction concerning use of the appliance in a safe way and understand the hazards involved. Children shall not play with the appliance. Cleaning and user maintenance shall not be made by children without supervision.
- Do not touch the machine when barefoot or with wet or damp hands or feet.
- Do not pull on the power supply cable when unplugging the appliance from the electricity socket. Hold the plug and pull.
- Do not open the detergent dispenser drawer while the machine is in operation.
- Do not touch the drained water as it may reach extremely high temperatures.
- Never force the porthole door. This could damage the safety lock mechanism designed to prevent accidental opening.
- If the appliance breaks down, do not under any circumstances access the internal mechanisms in an attempt to repair it yourself.
- Always keep children well away from the appliance while it is operating.
- The door can become quite hot during the wash cycle.
- If the appliance has to be moved, work in a group of two or three people and handle it with the utmost care. Never try to do this alone, because the appliance is very heavy.
- Before loading laundry into the washing machine, make sure the drum is empty.

Disposal

- Disposing of the packaging materials: observe local regulations so that the packaging may be re-used.
- The European Directive 2012/19/EU on Waste Electrical and Electronic Equipment, requires that old household electrical appliances must not be disposed of in the normal unsorted municipal waste stream. Old appliances must be collected separately in order to optimise the recovery and recycling of the materials they contain and reduce the impact on human health and the environment. The crossed out “wheeled bin” symbol on the product reminds you of your obligation, that when you dispose of the appliance it must be separately collected.

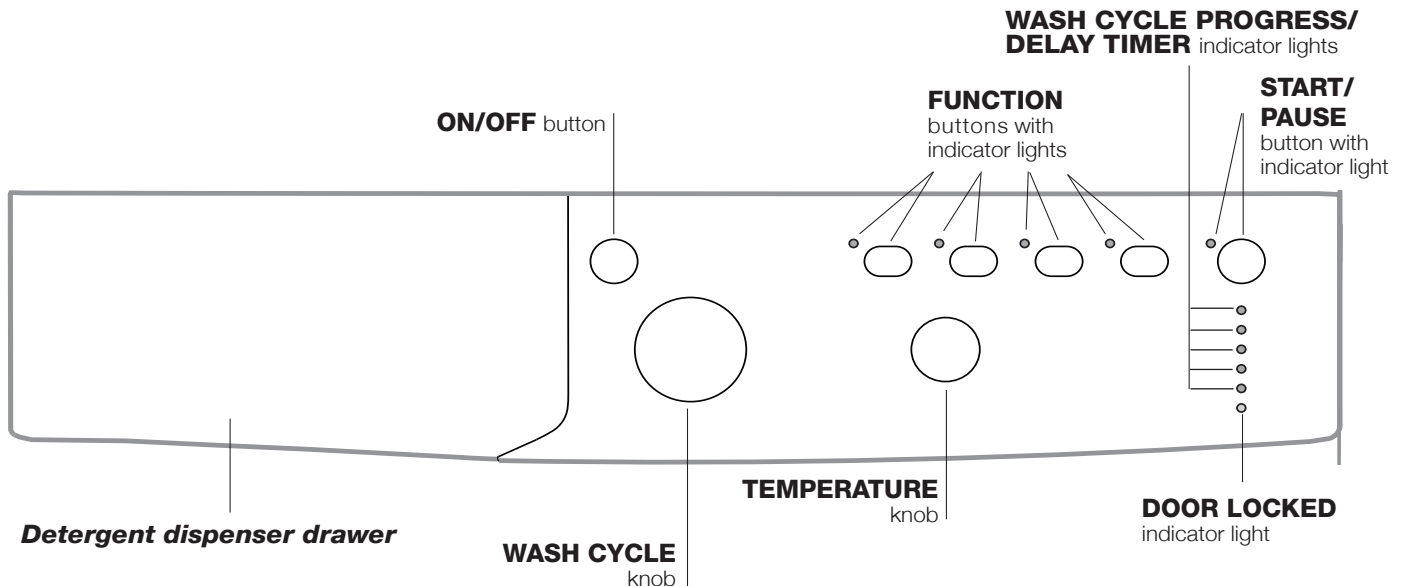
Consumers should contact their local authority or retailer for information concerning the correct disposal of their old appliance.

GB

Description of the washing machine and starting a wash cycle

Control panel

GB



Detergent dispenser drawer: used to dispense detergents and washing additives (see “Detergents and laundry”).

ON/OFF button: switches the washing machine on and off.

WASH CYCLE knob: programmes the wash cycles. During the wash cycle, the knob does not move.


FUNCTION buttons with indicator light: used to select the available functions. The indicator light corresponding to the selected function will remain lit.

TEMPERATURE knob: sets the temperature or the cold wash cycle (see “Personalisation”).

WASH CYCLE PROGRESS/DELAY TIMER indicator lights: used to monitor the progress of the wash cycle. The illuminated indicator light shows which phase is in progress. If the Delay Timer function has been set, the time remaining until the wash cycle starts will be indicated (see next page).

DOOR LOCKED indicator light: indicates whether the door may be opened or not (see next page).

START/PAUSE button with indicator light: starts or temporarily interrupts the wash cycles.

N.B. To pause the wash cycle in progress, press this button; the corresponding indicator light will flash orange, while the indicator light for the current wash cycle phase will remain lit in a fixed manner. If the DOOR LOCKED  indicator light is switched off, the door may be opened (wait approximately 3 minutes).

To start the wash cycle from the point at which it was interrupted, press this button again.

Standby mode

This washing machine, in compliance with new energy saving regulations, is fitted with an automatic standby system which is enabled after about 30 minutes if no activity is detected. Press the ON-OFF button briefly and wait for the machine to start up again.

Indicator lights

The indicator lights provide important information. This is what they can tell you:

Delayed start

If the DELAY TIMER function has been activated (see “Personalisation”), after the wash cycle has been started the indicator light corresponding to the selected delay period will begin to flash:








As time passes, the remaining delay will be displayed and the corresponding indicator light will flash:



The set programme will start once the selected time delay has expired.

Wash cycle phase indicator lights

Once the desired wash cycle has been selected and has begun, the indicator lights switch on one by one to indicate which phase of the cycle is currently in progress.

Wash	
Rinse	
Spin	
Drain	
End of wash cycle	

Function buttons and corresponding indicator lights

When a function is selected, the corresponding indicator light will illuminate.


If the selected function is not compatible with the programmed wash cycle, the corresponding indicator light will flash and the function will not be activated.

If the selected function is not compatible with another function which has been selected previously, the indicator light corresponding to the first function selected will flash and only the second function will be activated; the indicator light corresponding to the enabled option will remain lit.

Door locked indicator light

When the indicator light is on, the porthole door is locked to prevent it from being opened; make sure the indicator light is off before opening the door (wait approximately 3 minutes). To open the door during a running wash cycle, press the START/PAUSE button; the door may be opened once the DOOR LOCKED indicator light turns off.



Starting a wash cycle

1. Switch the washing machine on by pressing the ON/OFF button. All indicator lights will switch on for a few seconds, then they will switch off and the START/PAUSE indicator light will pulse.
2. Load the laundry and close the door.
3. Set the WASH CYCLE knob to the desired programme.
4. Set the washing temperature (see “Personalisation”).
5. Measure out the detergent and washing additives (see “Detergents and laundry”).
6. Select the desired functions.
7. Start the wash cycle by pressing the START/PAUSE button and the corresponding indicator light will remain lit in a fixed manner, in green. To cancel the set wash cycle, pause the machine by pressing the START/PAUSE button and select a new cycle.
8. At the end of the wash cycle the **END** indicator light will switch on. The door can be opened once the DOOR LOCKED  indicator light turns off (wait approximately 3 minutes). Take out your laundry and leave the appliance door ajar to make sure the drum dries completely. Switch the washing machine off by pressing the ON/OFF button.

Wash cycles

GB

Table of wash cycles

Wash cycles	Description of the wash cycle	Max. temp. (°C)	Max. speed (rpm)	Detergents			Max. load (kg)	Residual dampness %	Energy consumption kWh	Total water lt	Cycle duration
				Pre-wash	Wash	Fabric softener					
Daily											
1	Cotton with prewash: extremely soiled whites.	90°	1200	●	●	●	5	53	1,90	68	155'
2	Cotton Standard 60° (1): heavily soiled whites and resistant colours.	60° (Max. 90°)	1200	-	●	●	5	53	0,85	47,2	165'
3	Cotton Standard 40° (2): lightly soiled whites and delicate colours.	40°	1200	-	●	●	5	53	0,83	49	155'
4	Synthetics: heavily soiled resistant colours.	60°	800	-	●	●	3	44	0,78	33	105'
4	Synthetics (3): lightly soiled resistant colours.	40°	800	-	●	●	3	44	0,49	38	95'
5	Mix Colored: lightly soiled whites and delicate colours.	40°	1200	-	●	●	5	53	0,86	56	95'
20° Zone											
6	Cotton Standard 20°: lightly soiled whites and delicate colours.	20°	1200	-	●	●	5	-	-	-	170'
7	Mix Light	20°	800	-	●	●	5	-	-	-	120'
8	20' Refresh	20°	800	-	●	●	1,5	-	-	-	20'
Special											
9	Silk/Curtains: for garments in silk and viscose, lingerie.	30°	0	-	●	●	1	-	-	-	55'
10	Wool: for wool, cashmere, etc.	40°	800	-	●	●	1,5	-	-	-	70'
11	Jeans	40°	800	-	●	●	3	-	-	-	75'
Sport											
12	Sport Intensive	30°	600	-	●	●	3	-	-	-	85'
13	Sport Light	30°	600	-	●	●	3	-	-	-	60'
14	Sport Shoes	30°	600	-	●	●	Max. 2 Pairs	-	-	-	55'
Partial wash cycles											
	Rinse	-	1200	-	-	●	5	-	-	-	36'
	Spin + Drain	-	1200	-	-	-	5	-	-	-	10'

The length of cycle shown on the display or in this booklet is an estimation only and is calculated assuming standard working conditions. The actual duration can vary according to factors such as water temperature and pressure, the amount of detergent used, the amount and type of load inserted, load balancing and any wash options selected.

1) Test wash cycle in compliance with directive 1061/2010: set wash cycle 2 with a temperature of 60°C.

This cycle is designed for cotton loads with a normal soil level and is the most efficient in terms of both electricity and water consumption; it should be used for garments which can be washed at 60°C. The actual washing temperature may differ from the indicated value.

2) Test wash cycle in compliance with directive 1061/2010: set wash cycle 3 with a temperature of 40°C.

This cycle is designed for cotton loads with a normal soil level and is the most efficient in terms of both electricity and water consumption; it should be used for garments which can be washed at 40°C. The actual washing temperature may differ from the indicated value.

For all Test Institutes:

2) Long wash cycle for cottons: set wash cycle 3 with a temperature of 40°C.

3) Synthetic program along: set wash cycle 4 with a temperature of 40°C.

Sport Intensive (wash cycle 12) is for washing heavily soiled sports clothing fabrics (tracksuits, shorts, etc.); for best results, we recommend not exceeding the maximum load indicated in the "Table of wash cycles".

Sport Light (wash cycle 13) is for washing lightly soiled sports clothing fabrics (tracksuits, shorts, etc.); for best results, we recommend not exceeding the maximum load indicated in the "Table of wash cycles". We recommend using a liquid detergent and dosage suitable for a half-load.

Sport Shoes (wash cycle 14) is for washing sports shoes; for best results, do not wash more than 2 pairs simultaneously.

The 20° wash cycles (20° Zone) offer effective washing performance at low temperatures, reducing electricity usage and expenditure while benefitting the environment. The 20° wash cycles meet all requirements:

Cotton Standard 20° (programme 6) ideal for lightly soiled cotton loads. The effective performance levels achieved at cold temperatures, which are comparable to washing at 40°, are guaranteed by a mechanical action which operates at varying speed, with repeated and frequent peaks.

Mix Light (programme 7) ideal for mixed loads (cotton and synthetics) with a normal soil level. The effective performance levels achieved at cold temperatures are guaranteed by a mechanical action which operates at varying speed, across set average intervals.

20' Refresh (programme 8) ideal for refreshing and washing lightly soiled garments in a few minutes. It lasts just 20 minutes and therefore saves both time and energy. It can be used to wash different types of fabrics together (except for wool and silk), with a maximum load of 1.5 kg.

Setting the temperature

Turn the TEMPERATURE knob to set the wash temperature (see *Table of wash cycles*).

The temperature may be lowered, or even set to a cold wash ❄️.

The washing machine will automatically prevent you from selecting a temperature which is higher than the maximum value set for each wash cycle.

! Exception: if the **2** programme is selected, the temperature can be increased up to a value of 90°C.

Functions

The various wash functions available with this washing machine will help to achieve the desired results, every time.

To activate the functions:

1. Press the button corresponding to the desired function;
2. the function is enabled when the corresponding indicator light is illuminated.


Note:

- If the selected function is not compatible with the programmed wash cycle, the corresponding indicator light will flash and the function will not be activated.
- If the selected function is not compatible with another function which has been selected previously, the indicator light corresponding to the first function selected will flash and only the second function will be activated; the indicator light corresponding to the enabled option will remain lit.

EcoTime

Selecting this option enables you to suitably adjust drum rotation, temperature and water to a reduced load of lightly soiled cotton and synthetic fabrics (refer to the "*Table of wash cycles*"). "EcoTime" enables you to wash in less time thereby saving water and electricity. We suggest using a liquid detergent suitably measured out to the load quantity.

Energy Saver

The  Energy Saver function saves energy by not heating the water used to wash your laundry - an advantage both to the environment and to your energy bill. Instead, intensified wash action and water optimisation ensure great wash results in the same average time of a standard cycle.

For the best washing results we recommend the usage of a liquid detergent.



Press this button to reduce the spin speed.

Delay timer

This timer delays the start time of the wash cycle by up to 12 hours.

Press the button repeatedly until the indicator light corresponding to the desired delay time switches on. The fifth time the button is pressed, the function will be disabled.

N.B. Once the START/PAUSE button has been pressed, the delay time can only be modified by decreasing it until launching the set programme.

Detergents and laundry

GB

Detergent dispenser drawer

Good washing results also depend on the correct dose of detergent: adding too much detergent will not necessarily result in a more efficient wash, and may in fact cause build up on the inside of your appliance and contribute to environmental pollution.

! Do not use hand washing detergents because these create too much foam.

! Use powder detergent for white cotton garments, for pre-washing, and for washing at temperatures over 60°C.

! Follow the instructions given on the detergent packaging.



Open the detergent dispenser drawer and pour in the detergent or washing additive, as follows.

compartment 1: Pre-wash detergent (powder)

compartment 2: Detergent for the wash cycle (powder or liquid)

Liquid detergent should only be poured in immediately prior to the start of the wash cycle.

compartment 3: Additives (fabric softeners, etc.)

The fabric softener should not overflow the grid.

Preparing the laundry

- Divide the laundry according to:
 - the type of fabric/the symbol on the label
 - the colours: separate coloured garments from whites.
- Empty all garment pockets and check the buttons.
- Do not exceed the values listed in the "Table of wash cycles", which refer to the weight of the laundry when dry.


How much does your laundry weigh?

- 1 sheet 400-500 g
- 1 pillow case 150-200 g
- 1 tablecloth 400-500 g
- 1 bathrobe 900-1200 g
- 1 towel 150-250 g

Garments requiring special care

Silk: use special wash cycle **9** to wash all silk garments. We recommend the use of special detergent which has been designed to wash delicate clothes.

Curtains: fold curtains and place them in a pillow case or mesh bag. Use wash cycle **9**.

Wool: all wool garments can be washed using programme **10**, even those carrying the "hand-wash only"  label. For best results, use special detergents and do not exceed 1,5 kg of laundry.

Jeans: Turn garments inside-out before washing and use a liquid detergent. Use programme **11**.

Load balancing system

Before every spin cycle, to avoid excessive vibrations and to distribute the load in a uniform manner, the drum rotates continuously at a speed which is slightly greater than the washing rotation speed. If, after several attempts, the load is not balanced correctly, the machine spins at a reduced spin speed. If the load is excessively unbalanced, the washing machine performs the distribution process instead of spinning. To encourage improved load distribution and balance, we recommend small and large garments are mixed in the load.

Your washing machine could fail to work. Before contacting the Technical Assistance Centre (see “Assistance”), make sure that the problem cannot be solved easily using the following list.

Problem:

Possible causes / Solutions:

The washing machine does not switch on.

- The appliance is not plugged into the socket fully, or is not making contact.
- There is no power in the house.

The wash cycle does not start.

- The washing machine door is not closed properly.
- The ON/OFF button has not been pressed.
- The START/PAUSE button has not been pressed.
- The water tap has not been opened.
- A delayed start has been set (see “Personalisation”).

The washing machine does not take in water (the indicator light for the first wash cycle stage flashes rapidly).

- The water inlet hose is not connected to the tap.
- The hose is bent.
- The water tap has not been opened.
- There is no water supply in the house.
- The pressure is too low.
- The START/PAUSE button has not been pressed.

The washing machine continuously takes in and drains water.

- The drain hose is not fitted at a height between 65 and 100 cm from the floor (see “Installation”).
- The free end of the hose is under water (see “Installation”).
- The wall drainage system is not fitted with a breather pipe.

If the problem persists even after these checks, turn off the water tap, switch the appliance off and contact the Assistance Service. If the dwelling is on one of the upper floors of a building, there may be problems relating to water drainage, causing the washing machine to fill with water and drain continuously. Special anti-draining valves are available in shops and help to avoid this inconvenience.

The washing machine does not drain or spin.

- The wash cycle does not include draining: some wash cycles require the drain phase to be started manually.
- The drain hose is bent (see “Installation”).
- The drainage duct is clogged.

The washing machine vibrates a lot during the spin cycle.

- The drum was not unlocked correctly during installation (see “Installation”).
- The washing machine is not level (see “Installation”).
- The washing machine is trapped between cabinets and walls (see “Installation”).

The washing machine leaks.

- The water inlet hose is not screwed on properly (see “Installation”).
- The detergent dispenser drawer is blocked (for cleaning instructions, see “Care and maintenance”).
- The drain hose is not fixed properly (see “Installation”).

The “Functions” indicator lights and the “start/pause” indicator light flash, while one of the “phase in progress” indicator lights and the “door locked” indicator light will remain lit in a fixed manner.

- Switch off the machine and unplug it, wait for approximately 1 minute and then switch it back on again.
If the problem persists, contact the Technical Assistance Service.

There is too much foam.

- The detergent is not suitable for machine washing (it should display the text “for washing machines” or “hand and machine wash”, or the like).
- Too much detergent was used.

Service

GB

Before calling for Assistance:

- Check whether you can solve the problem alone (see "Troubleshooting");
- Restart the programme to check whether the problem has been solved;
- If this is not the case, contact an authorised Technical Assistance Centre using the telephone number provided on the guarantee certificate.

! Always request the assistance of authorised technicians.

Have the following information to hand:

- the type of problem;
- the appliance model (Mod.);
- the serial number (S/N).

This information can be found on the data plate applied to the rear of the washing machine, and can also be found on the front of the appliance by opening the door.

COMMISSION DELEGATED REGULATION (EU) No 1061/2010	
Brand	INDESIT
Model	IWB 51251 C ECO EU
Rated capacity in kg of cotton	5
Energy efficiency class on a scale from A+++ (low consumption) to G (high consumption)	A+
Energy consumption per year in kWh ¹⁾	169
Energy consumption of the standard 60 °C cotton programme at full load in kWh ²⁾	0.852
Energy consumption of the standard 60 °C cotton programme at partial load in kWh ²⁾	0.673
Energy consumption of the standard 40 °C cotton programme at partial load in kWh ²⁾	0.592
Power consumption of the off-mode in W	0.5
Power consumption of the left-on mode in W	8
Water consumption per year in litres ³⁾	7800
Spin-drying efficacy class on a scale from G (minimum efficacy) to A (maximum efficacy)	B
Maximum spin speed attained ⁴⁾	1200
Remaining moisture content ⁵⁾	53.0%
Programme time of the "standard 60 °C cotton" at full load in minutes	165
Programme time of the "standard 60 °C cotton" at partial load in minutes	135
Programme time of the "standard 40°C cotton" at partial load in minutes	130
Duration of the left-on mode in minutes	30
Noise in dB(A) re 1 pW washing ⁶⁾	62
Noise in dB(A) re 1 pW spinning ⁶⁾	80
Built-in model	

¹⁾ The "standard 60°C cotton" at full and partial load and the "standard 40°C cotton" at partial load are the standard washing programmes to which the information in the label and the fiche relates. Standard 60°C cotton and standard 40°C cotton are suitable to clean normally soiled cotton laundry and are the most efficient programmes in terms of combined energy and water consumption. Partial load is half the rated load.

²⁾ Based on 220 standard washing cycles for cotton programmes at 60°C and 40°C at full and partial load, and the consumption of the low-power modes. Actual energy consumption will depend on how the appliance is used.

³⁾ Based on 220 standard washing cycles for cotton programmes at 60°C and 40°C at full and partial load. Actual water consumption will depend on how the appliance is used.

⁴⁾ For the standard 60 °C at full and partial load or the 40°C at partial whichever is lower.

⁵⁾ Attained for 60 °C cotton at full and partial load or the 40°C at partial whichever is higher.

⁶⁾ Based on washing and spinning phases for the standard 60°C cotton programme at full load.

FR

Français

IWB 51251

Sommaire

Installation, 14-15

Déballage et mise à niveau
Raccordements eau et électricité
Premier cycle de lavage
Caractéristiques techniques

Entretien et soin, 16

Coupure de l'arrivée d'eau et du courant
Nettoyage du lave-linge
Nettoyage du tiroir à produits lessiviels.
Entretien du hublot et du tambour
Nettoyage de la pompe
Contrôle du tuyau d'arrivée de l'eau

Précautions et conseils, 17

Sécurité générale
Mise au rebut

Description du lave-linge et démarrage d'un programme, 18-19

Bandeau de commandes
Voyants
Démarrage d'un programme

Programmes, 20

Tableau des programmes

Personnalisations, 21

Sélection de la température
Fonctions

Produits lessiviels et linge, 22

Tiroir à produits lessiviels
Triage du linge
Linge ou vêtements particuliers
Système d'équilibrage de la charge

Anomalies et remèdes, 23

Assistance, 24

Installation

FR

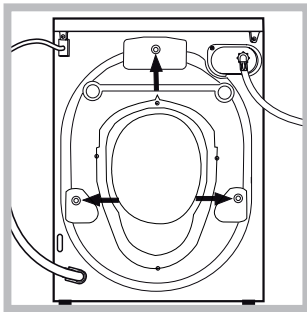
! Conserver ce mode d'emploi pour pouvoir le consulter à tout moment. En cas de vente, de cession ou de déménagement, veiller à ce qu'il suive toujours le lave-linge pour que son nouveau propriétaire soit informé sur son mode de fonctionnement et puisse profiter des conseils correspondants.

! Lire attentivement les instructions: elles fournissent des conseils importants sur l'installation, l'utilisation et la sécurité de l'appareil.

Déballage et mise à niveau

Déballage

1. Déballer le lave-linge.
2. Contrôler que le lave-linge n'a pas été endommagé pendant le transport. S'il est abîmé, ne pas le raccorder et contacter le vendeur.



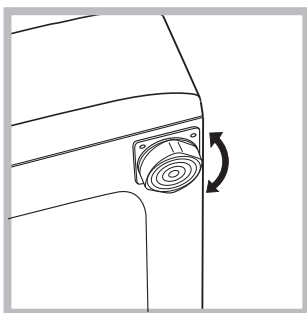
3. Enlever les **3** vis de protection servant au transport, le caoutchouc et la cale, placés dans la partie arrière (voir figure).

4. Boucher les trous à l'aide des bouchons plastique fournis.
5. Conserver toutes ces pièces: il faudra les remonter en cas de transport du lave-linge.

! Les pièces d'emballage ne sont pas des jouets pour enfants.

Mise à niveau

1. Installer le lave-linge sur un sol plat et rigide, sans l'appuyer contre des murs, des meubles ou autre.

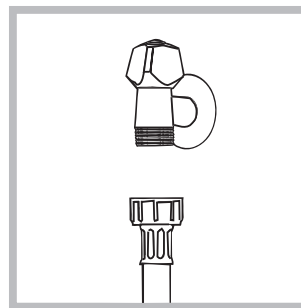


2. Si le sol n'est pas parfaitement horizontal, visser ou dévisser les pieds de réglage avant (voir figure) pour niveler l'appareil; son angle d'inclinaison, mesuré sur le plan de travail, ne doit pas dépasser 2°.

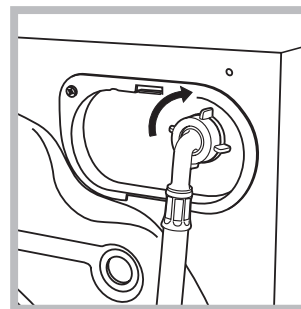
Une bonne mise à niveau garantit la stabilité de l'appareil et évite qu'il y ait des vibrations, du bruit et des déplacements en cours de fonctionnement. Si la machine est posée sur de la moquette ou un tapis, régler les pieds de manière à ce qu'il y ait suffisamment d'espace pour assurer une bonne ventilation.

Raccordements eau et électricité

Raccordement du tuyau d'arrivée de l'eau



1. Reliez le tuyau d'alimentation en le vissant à un robinet d'eau froide à embout fileté 3/4 gaz (voir figure). Faire couler l'eau jusqu'à ce qu'elle soit limpide et sans impuretés avant de raccorder.



2. Raccorder le tuyau d'arrivée de l'eau au lave-linge en le vissant à la prise d'eau prévue, dans la partie arrière en haut à droite (voir figure).

3. Attention à ce que le tuyau ne soit pas plié ou écrasé.

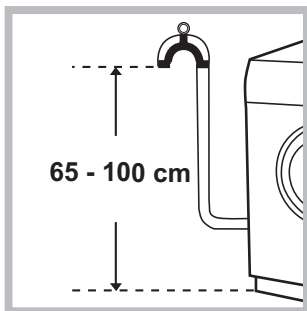
! La pression de l'eau doit être comprise entre les valeurs indiquées dans le tableau des Caractéristiques techniques (voir page ci-contre).

! Si la longueur du tuyau d'alimentation ne suffit pas, s'adresser à un magasin spécialisé ou à un technicien agréé.

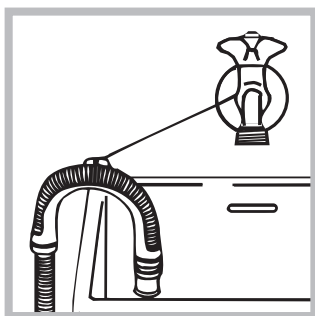
! N'utiliser que des tuyaux neufs.

! Utiliser ceux qui sont fournis avec l'appareil.

Raccordement du tuyau de vidange



Raccorder le tuyau d'évacuation, sans le plier, à un conduit d'évacuation ou à une évacuation murale placés à une distance du sol comprise entre 65 et 100 cm;



ou bien l'accrocher à un évier ou à une baignoire, dans ce cas, fixer le support en plastique fourni avec l'appareil au robinet (voir figure). L'extrémité libre du tuyau d'évacuation ne doit pas être plongée dans l'eau.

! L'utilisation d'un tuyau de rallonge est absolument déconseillée mais si on ne peut faire autrement, il faut absolument qu'il ait le même diamètre que le tuyau original et sa longueur ne doit pas dépasser 150 cm.

Branchement électrique

Avant de brancher la fiche dans la prise de courant, s'assurer que:

- la prise est bien reliée à la terre et est conforme aux réglementations en vigueur;
- la prise est bien apte à supporter la puissance maximale de l'appareil indiquée dans le tableau des Caractéristiques techniques (voir ci-contre);
- la tension d'alimentation est bien comprise entre les valeurs figurant dans le tableau des Caractéristiques techniques (voir ci-contre);
- la prise est bien compatible avec la fiche du lave-linge. Autrement, remplacer la prise ou la fiche.

! Le lave-linge ne doit pas être installé dehors, même à l'abri, car il est très dangereux de le laisser exposé à la pluie et aux orages.

! Après installation du lave-linge, la prise de courant doit être facilement accessible.

! N'utiliser ni rallonges ni prises multiples.


! Le câble ne doit être ni plié ni trop écrasé.

! Le câble d'alimentation ne doit être remplacé que par des techniciens agréés.

Attention! Nous déclinons toute responsabilité en cas de non-respect des normes énumérées ci-dessus.

Premier cycle de lavage

Avant la première mise en service de l'appareil, effectuer un cycle de lavage avec un produit lessiviel mais sans linge et sélectionner le programme 2.

Caractéristiques techniques	
Modèle	IWB 51251
Dimensions	largeur 59,5 cm hauteur 85 cm profondeur 51,7 cm
Capacité	de 1 à 5 kg
Raccordements électriques	Voir la plaque signalétique appliquée sur la machine
Raccordements hydrauliques	pression maximale 1 MPa (10 bar) pression minimale 0,05 MPa (0,5 bar) capacité du tambour 46 litres
Vitesse d'essorage	jusqu'à 1200 tours minute
Programmes de contrôle selon les directives 1061/2010 et 1015/2010	programme 2; Coton standard 60 °C. programme 3; Coton standard 40 °C.
	Cet appareil est conforme aux Directives Communautaires suivantes: - 2004/108/CE (Compatibilité électromagnétique) - 2012/19/EU - 2006/95/CE (Basse Tension)

Entretien et soin

FR

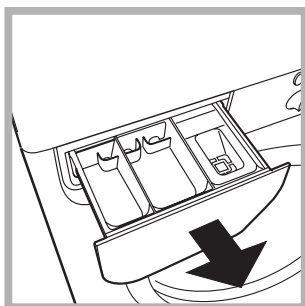
Coupure de l'arrivée d'eau et du courant

- Fermer le robinet de l'eau après chaque lavage. Cela réduit l'usure de l'installation hydraulique du lave-linge et évite tout danger de fuites.
- Débrancher la fiche de la prise de courant lors de tout nettoyage du lave-linge et pendant tous les travaux d'entretien.

Nettoyage du lave-linge

Pour nettoyer l'extérieur et les parties en caoutchouc, utiliser un chiffon imbibé d'eau tiède et de savon. N'utiliser ni solvants ni abrasifs.

Nettoyage du tiroir à produits lessiviels.



Soulever le tiroir et le tirer vers soi pour le sortir de son logement (voir figure). Le laver à l'eau courante; effectuer cette opération assez souvent.

Entretien du hublot et du tambour

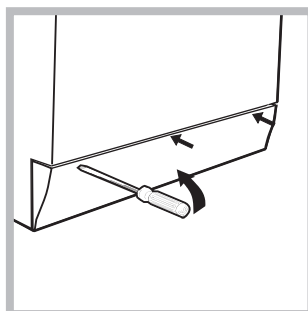
- Il faut toujours laisser le hublot entrouvert pour éviter la formation de mauvaises odeurs.

Nettoyage de la pompe

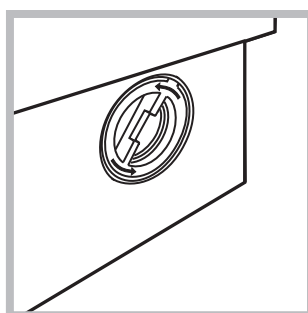
Le lave-linge est équipé d'une pompe autonettoyante qui n'exige aucune opération d'entretien. Il peut toutefois arriver que de menus objets (pièces de monnaie, boutons) tombent dans la préchambre qui protège la pompe, placée en bas de cette dernière.

! S'assurer que le cycle de lavage est bien terminé et débrancher la fiche.

Pour accéder à cette préchambre:



1. démonter le panneau situé à l'avant du lave-linge à l'aide d'un tournevis (voir figure);



2. dévisser le couvercle en le tournant dans le sens inverse des aiguilles d'une montre (voir figure); il est normal qu'un peu d'eau s'écoule;

3. nettoyer soigneusement l'intérieur;
4. revisser le couvercle;
5. remonter le panneau en veillant à bien enfiler les crochets dans les fentes prévues avant de le pousser contre l'appareil.

Contrôle du tuyau d'arrivée de l'eau

Contrôler le tuyau d'alimentation au moins une fois par an. Procéder à son remplacement en cas de craquements et de fissures; car les fortes pressions subies pendant le lavage pourraient provoquer des cassures.

! N'utiliser que des tuyaux neufs.

! Ce lave-linge a été conçu et fabriqué conformément aux normes internationales de sécurité. Ces consignes sont fournies pour des raisons de sécurité, il faut les lire attentivement.

Sécurité générale

- Cet appareil est conçu pour un usage domestique.
- Cet appareil peut être utilisé par les enfants à partir de 8 ans et par les personnes dont les capacités physiques, sensorielles ou mentales sont réduites ou qui ne disposent pas des connaissances suffisantes, à condition qu'ils soient encadrés ou aient été formés de façon appropriée pour l'utilisation de l'appareil de façon sûre et en comprenant les dangers qui y sont liés. Les enfants ne doivent pas jouer avec l'appareil. L'entretien et le nettoyage ne doivent pas être effectués par les enfants sans surveillance.
- Ne jamais toucher l'appareil si l'on est pieds nus et si les mains sont mouillées ou humides.
- Ne jamais tirer sur le câble pour débrancher la fiche de la prise de courant.
- Ne pas ouvrir le tiroir à produits lessiviels si la machine est branchée.
- Ne pas toucher à l'eau de vidange, elle peut atteindre des températures très élevées.
- Ne pas forcer pour ouvrir le hublot: le verrouillage de sécurité qui protège contre les ouvertures accidentelles pourrait s'endommager.
- En cas de panne, éviter à tout prix d'accéder aux mécanismes internes pour tenter une réparation.
- Veiller à ce que les enfants ne s'approchent pas de l'appareil pendant son fonctionnement.
- Pendant le lavage, le hublot a tendance à se réchauffer.
- Deux ou trois personnes sont nécessaires pour déplacer l'appareil avec toutes les précautions nécessaires. Ne jamais le déplacer tout seul car il est très lourd.
- Avant d'introduire le linge, s'assurer que le tambour est bien vide.

Mise au rebut

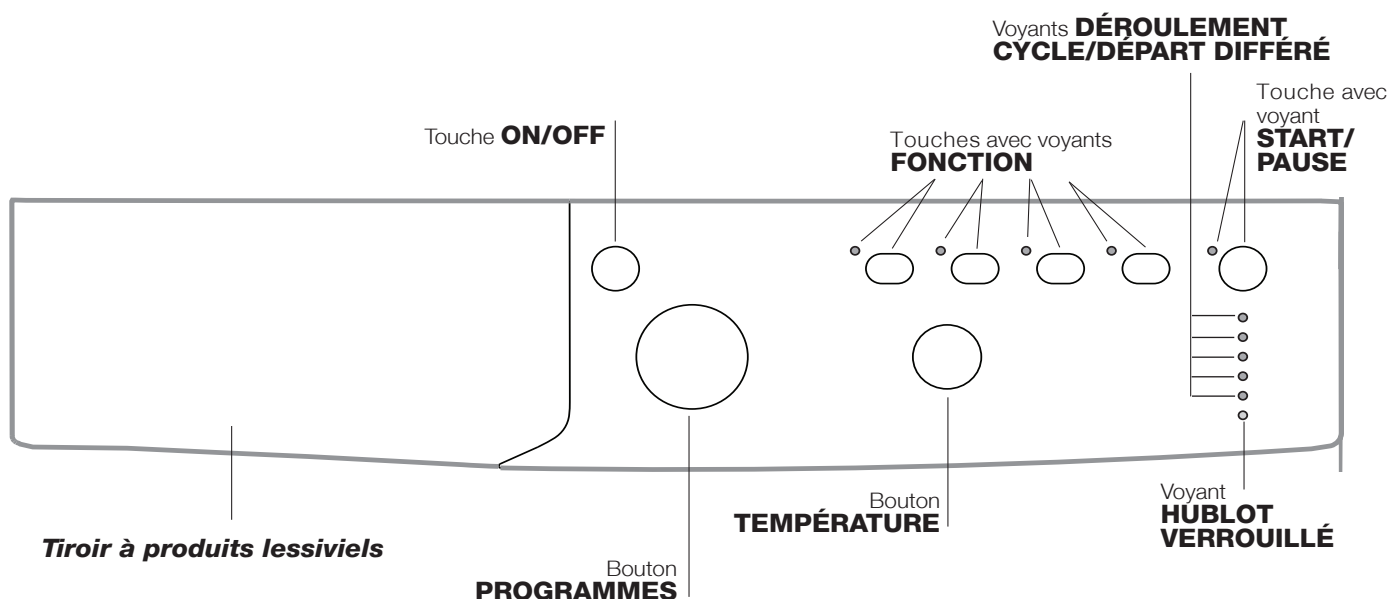
- Mise au rebut du matériel d'emballage: se conformer aux réglementations locales de manière à ce que les emballages puissent être recyclés.
- La Directive Européenne 2012/19/EU sur les Déchets des Equipements Electriques et Electroniques, exige que les appareils ménagers usagés ne soient pas jetés dans le flux normal des déchets municipaux. Les appareils usagés doivent être collectés séparément afin d'optimiser le taux de récupération et le recyclage des matériaux qui les composent et réduire l'impact sur la santé humaine et l'environnement. Le symbole de la "poubelle

barrée" est apposée sur tous les produits pour rappeler les obligations de collecte séparée. Les consommateurs devront contacter les autorités locales ou leur revendeur concernant la démarche à suivre pour l'enlèvement de leur vieil appareil.

Description du lave-linge et démarrage d'un programme

FR

Bandeau de commandes



Tiroir à produits lessiviels: pour charger les produits lessiviels et les additifs (voir "Produits lessiviels et linge").

Touche **ON/OFF**: pour allumer ou éteindre le lave-linge.

Bouton **PROGRAMMES**: pour sélectionner les programmes. Pendant le programme, le bouton ne tournera pas.

Touches avec voyants **FONCTION**: pour sélectionner les fonctions disponibles. Le voyant correspondant à la fonction sélectionnée restera allumé.


Bouton **TEMPÉRATURE**: pour sélectionner la température ou un lavage à froid (voir "Personnalisations").

Voyants **DÉROULEMENT CYCLE/DÉPART DIFFÉRÉ**: pour suivre le stade d'avancement du programme de lavage.

Le voyant allumé indique la phase de lavage en cours. Si la fonction "Départ différé" (départ différé) a été sélectionnée, ils indiquent le temps restant jusqu'au démarrage du programme (voir page ci-contre).

Voyant **HUBLLOT VERROUILLÉ**: indique si la porte est verrouillée (voir page ci-contre).

Touche avec voyant **START/PAUSE**: pour démarrer les programmes ou les interrompre momentanément.

N.B.: pour effectuer une pause du lavage en cours, appuyer sur cette touche, le voyant correspondant se mettra à clignoter en orange tandis que celui de la phase en cours restera allumé fixe. Si le voyant HUBLLOT VERROUILLÉ  est éteint, on peut ouvrir la porte (3 minutes environ). Pour faire redémarrer le lavage exactement de l'endroit où il a été interrompu, appuyer une nouvelle fois sur la touche.

Stand-by

Ce lave-linge, conformément aux nouvelles normes en vigueur dans le domaine de l'économie d'énergie, est équipée d'un système d'extinction automatique (veille) activé après 30 minutes environ d'inutilisation. Appuyez brièvement sur la touche ON-OFF et attendre que la machine soit réactivée.

Voyants

Les voyants fournissent des informations importantes. Voilà ce qu'ils signalent:

Départ différé

Si la fonction "Départ différé" a été activée (voir "Personnalisations"), le voyant correspondant au temps sélectionné se mettra à clignoter, après avoir lancé le programme:

3h 

6h 

9h 

12h 

Au fur et à mesure que le temps passe, le temps restant est affiché avec clignotement du voyant correspondant.

3h 

6h 

9h 


12h 

Quand le retard sélectionné touche à sa fin le programme sélectionné démarre.

Voyants phase en cours

Une fois que le cycle de lavage sélectionné a démarré, les voyants s'allument progressivement pour indiquer son stade d'avancement:

Lavage 

Rinçage 

Essorage 

Vidange 

Fin de Lavage 

Touches fonction et voyants correspondants

La sélection d'une fonction entraîne l'allumage du voyant correspondant.


Si la fonction sélectionnée est incompatible avec le programme sélectionné, le voyant correspondant se met à clignoter et la fonction n'est pas activée.

Si l'option sélectionnée est incompatible avec une autre fonction précédemment sélectionnée, le voyant correspondant à la première fonction se met à clignoter et seule la deuxième fonction est activée, le voyant de la touche s'allume au fixe.

Voyant hublot verrouillé



Le voyant allumé indique que le hublot est verrouillé pour en empêcher l'ouverture. Attendre que le voyant cesse de clignoter avant d'ouvrir la porte (3 minutes environ). Pour ouvrir le hublot tandis qu'un cycle est en cours, appuyer sur la touche START/PAUSE; si le voyant HUBLOT VERROUILLÉ est éteint, on peut ouvrir le hublot.

Démarrage d'un programme

1. Allumer le lave-linge en appuyant sur la touche ON/OFF. Tous les voyants s'allument pendant quelques secondes puis s'éteignent, seul le voyant START/PAUSE flashe.
2. Charger le linge et fermer le hublot.
3. Sélectionner à l'aide du bouton PROGRAMMES le programme désiré.
4. Sélectionner la température de lavage (voir "Personnalisations").
5. Verser les produits lessiviels et les additifs (voir "Produits lessiviels et linge").
6. Sélectionner les fonctions désirées.
7. Appuyer sur la touche START/PAUSE pour démarrer le programme, le voyant correspondant vert restera allumé en fixe. Pour annuler le cycle sélectionné, appuyer sur la touche START/PAUSE pour placer l'appareil en pause et choisir un nouveau cycle.
8. A la fin du programme, le voyant END s'allume. Quand le voyant HUBLOT VERROUILLÉ  s'éteint, on peut ouvrir le hublot (3 minutes environ). Sortir le linge et laisser le hublot entrouvert pour faire sécher le tambour. Eteindre le lave-linge en appuyant sur la touche ON/OFF.

Programmes

Tableau des programmes

Programmes	Description du Programme	Temp. maxi. (°C)	Vitesse maxi (tours minute)	Lessive			Charge maxi (Kg)	Humidité résiduelle %	Consommation d'énergie kWh	Eau totale lt	Durée cycle
				Pré-lavage	Lavage	Assouplissant					
Programmes Quotidiens (Daily)											
1	Coton avec pré-lavage: blancs extrêmement sales.	90°	1200	●	●	●	5	53	1,90	68	155'
2	Coton standard (1): blancs et couleurs résistantes très sales.	60° (Max. 90°)	1200	-	●	●	5	53	0,85	47,2	165'
3	Coton standard (2): blancs et couleurs délicates peu sales.	40°	1200	-	●	●	5	53	0,83	49	155'
4	Synthétiques: couleurs résistantes très sales.	60°	800	-	●	●	3	44	0,78	33	105'
4	Synthétiques (3): couleurs résistantes peu sales.	40°	800	-	●	●	3	44	0,49	38	95'
5	Mix couleurs: blancs peu sales et couleurs délicates.	40°	1200	-	●	●	5	53	0,86	56	95'
20° Zone											
6	Coton standard: blancs et couleurs délicates peu sales.	20°	1200	-	●	●	5	-	-	-	170'
7	Mix Light	20°	800	-	●	●	5	-	-	-	120'
8	20' Refresh	20°	800	-	●	●	1,5	-	-	-	20'
Spéciaux (Special)											
9	Soie et voilage: pour linge en soie, viscose, lingerie.	30°	0	-	●	●	1	-	-	-	55'
10	Laine: pour laine, cachemire, etc.	40°	800	-	●	●	1,5	-	-	-	70'
11	Jeans	40°	800	-	●	●	3	-	-	-	75'
Sport											
12	Sport Intensive	30°	600	-	●	●	3	-	-	-	85'
13	Sport Light	30°	600	-	●	●	3	-	-	-	60'
14	Sport Shoes	30°	600	-	●	●	Max. 2 Paires	-	-	-	55'
Programmes partiels											
	 Rinçage	-	1200	-	-	●	5	-	-	-	36'
	 Essorage + Vidange	-	1200	-	-	-	5	-	-	-	10'

La durée du cycle indiquée sur l'écran ou dans la notice représente une estimation calculée dans des conditions standard. Le temps effectif peut varier en fonction de nombreux facteurs tels que : température et pression de l'eau en entrée, température ambiante, quantité de lessive, quantité et type de charge, équilibrage de la charge, options supplémentaires sélectionnées.

1) Programme de contrôle selon la norme 1061/2010: sélectionner le programme 2 et une température de 60°C.

Ce cycle convient au lavage d'une charge de coton normalement sale et c'est le plus performant en termes de consommation d'eau et d'énergie, l'utiliser pour du linge lavable à 60°C. La température effective de lavage peut différer de la température indiquée.

2) Programme de contrôle selon la norme 1061/2010: sélectionner le programme 3 et une température de 40°C.

Ce cycle convient au lavage d'une charge de coton normalement sale et c'est le plus performant en termes de consommation d'eau et d'énergie, l'utiliser pour du linge lavable à 40°C. La température effective de lavage peut différer de la température indiquée.

Pour tous les instituts qui effectuent ces tests :

2) Programme coton long: sélectionner le programme 3 et une température de 40°C.

3) Programme Synthétique ainsi que: sélectionner le programme 4 et une température de 40°C.

Sport Intensive (programme 12): est spécialement conçu pour laver des textiles vêtements de sport (survêtements, shorts, etc.) très sales; pour obtenir d'excellents résultats nous recommandons de ne pas dépasser la charge maximale indiquée dans le "Tableau des programmes".

Sport Light (programme 13): est spécialement conçu pour laver des textiles vêtements de sport (survêtements, shorts, etc.) peu sales; pour obtenir d'excellents résultats nous recommandons de ne pas dépasser la charge maximale indiquée dans le "Tableau des programmes". Nous recommandons d'utiliser de la lessive liquide, avec une dose pour la demi-charge.

Sport Shoes (programme 14): est spécialement conçu pour laver des chaussures de sport; pour obtenir d'excellents résultats nous recommandons de ne pas en laver plus de 2 paires à la fois.

Les programmes 20° (Zone 20°) offrent de bonnes performances de lavage aux basses températures avec une consommation d'électricité réduite qui permet de faire des économies tout en respectant l'environnement. Les programmes 20° satisfont toutes les exigences:

Coton standard (programme 6) idéal pour des charges de linge sale en coton. Les bonnes performances, même à froid, comparables à celles d'un lavage à 40°, sont assurées grâce à une action mécanique qui brasse en variant la vitesse et avec des pics répétés et rapprochés.

Mix Light (programme 7) idéal pour des charges mixtes (coton et synthétiques) moyennement sales. Les bonnes performances de lavage, même à froid, sont assurées grâce à une action mécanique qui brasse en variant la vitesse à des intervalles moyens et déterminés.

20' Refresh (programme 8) cycle idéal pour rafraîchir du linge peu sale en quelques minutes. Il ne dure que 20 minutes et permet ainsi de faire des économies de temps et d'énergie. Il permet de laver ensemble des textiles différents (sauf laine et soie) avec une charge maximum de 1,5 kg.

Sélection de la température

Tourner le bouton TEMPÉRATURE pour sélectionner la température de lavage (voir *Tableau des programmes*).

La température peut être abaissée jusqu'au lavage à froid (❄).

La machine interdira automatiquement toute sélection d'une température supérieure à la température maximale prévue pour chaque programme.

! Exception: lors de la sélection du programme **2** la température peut être augmentée jusqu'à 90°.

Fonctions

Les différentes fonctions de lavage prévues par le lave-linge permettent d'obtenir la propreté et le blanc souhaités.

Pour activer les fonctions:

1. appuyer sur la touche correspondant à la fonction désirée;
2. l'allumage du voyant correspondant signale que la fonction est activée.

Remarque:

- Si la fonction sélectionnée est incompatible avec le programme sélectionné, le voyant correspondant se met à clignoter et la fonction n'est pas activée.
- Si l' fonction sélectionnée est incompatible avec une autre fonction précédemment sélectionnée, le voyant correspondant à la première fonction se met à clignoter et seule la deuxième fonction est activée, le voyant de la touche s'allume au fixe.

EcoTime

La sélection de cette option permet d'optimiser les mouvements mécaniques, la température et l'eau en fonction d'une charge réduite de coton et synthétiques peu sales (voir *"Tableau des programmes"*). "EcoTime" permet de laver en faisant des économies considérables de temps et de consommations d'eau et d'énergie. Il est conseillé d'utiliser une dose de lessive liquide adaptée à la charge.

Energy Savér

La fonction Energy Savér permet d'économiser l'énergie puisque l'eau utilisée pour la lessive n'est pas réchauffée : un plus pour l'environnement et pour votre facture d'électricité. L'action renforcée et l'optimisation de la consommation de l'eau garantissent d'excellents résultats pour une durée moyenne identique à celle d'un cycle standard. Pour de meilleurs résultats en matière de lavage, utilisez une lessive liquide.



En appuyant sur cette touche on réduit la vitesse de l'essorage.

Départ différé

Pour différer la mise en marche de la machine jusqu'à 12 heures.

Appuyer plusieurs fois de suite sur la touche jusqu'à ce que le voyant correspondant au retard souhaité s'allume. A la cinquième pression sur la touche, la fonction se désactive.

N.B: Après avoir appuyé sur la touche START/PAUSE, le retard programmé ne peut être modifié que pour le diminuer jusqu'à lancer le programme sélectionné.

Produits lessiviels et linge

FR

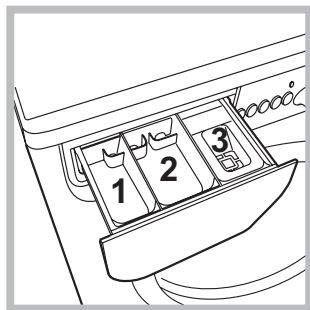
Tiroir à produits lessiviels

Un bon résultat de lavage dépend aussi d'un bon dosage de produit lessiviel: un excès de lessive ne lave pas mieux, il incruste l'intérieur du lave-linge et pollue l'environnement.

! Ne pas utiliser de lessives pour lavage à la main, elles moussent trop.

! Utiliser des lessives en poudre pour du linge en coton blanc et en cas de pré-lavage et de lavages à une température supérieure à 60°C.

! Respecter les indications figurant sur le paquet de lessive.



Sortir le tiroir à produits lessiviels et verser la lessive ou l'additif comme suit.

bac 1: Lessive pré-lavage (en poudre)

bac 2: Lessive lavage (en poudre ou liquide)

Versez la lessive liquide juste avant la mise en marche.

bac 3: Additifs (adoucissant, etc.)

L'assouplissant ne doit pas déborder de la grille.

! N'utilisez pas de lessives pour lavage à la main, elles génèrent trop de mousse.

Triage du linge

- Trier correctement le linge d'après:
 - le type de textile / le symbole sur l'étiquette.
 - les couleurs: séparer le linge coloré du blanc.
- Vider les poches et contrôler les boutons.
- Ne pas dépasser les valeurs indiquées dans le "Tableau des programmes" correspondant au poids de linge sec.


Combien pèse le linge ?

- 1 drap 400-500 g
- 1 taie d'oreiller 150-200 g
- 1 nappe 400-500 g
- 1 peignoir 900-1200 g
- 1 serviette éponge 150-250 g

Linge ou vêtements particuliers

Soie: sélectionner le programme de lavage spécial **9** pour vêtements en soie. Il est conseillé d'utiliser une lessive spéciale pour linge délicat.

Rideaux: pliez-les bien et glissez-les dans une taie d'oreiller ou dans un sac genre filet. Sélectionner le programme **9**.

Laine: grâce au programme **10** vous pouvez laver à la machine tous vos vêtements en laine, y compris ceux qui portent l'étiquette "lavage à la main uniquement" . Pour obtenir d'excellents résultats utilisez un produit lessiviel spécial et ne dépassez pas une charge de 1,5 kg.

Jeans: mettez les jeans à l'envers avant de les laver et utilisez une lessive liquide. Sélectionnez le programme **11**.

Système d'équilibrage de la charge

Avant tout essorage, pour éviter toute vibration excessive et répartir le linge de façon uniforme, le lave-linge fait tourner le tambour à une vitesse légèrement supérieure à la vitesse de lavage. Si au bout de plusieurs tentatives, la charge n'est toujours pas correctement équilibrée, l'appareil procède à un essorage à une vitesse inférieure à la vitesse normalement prévue. En cas de déséquilibre excessif, le lave-linge préfère procéder à la répartition du linge plutôt qu'à son essorage. Pour une meilleure répartition de la charge et un bon équilibrage, nous conseillons de mélanger de grandes et petites pièces de linge.

Il peut arriver que le lave-linge ne fonctionne pas bien. Avant d'appeler le Service de dépannage (voir "Assistance"), contrôler s'il ne s'agit pas par hasard d'un problème facile à résoudre à l'aide de la liste suivante.

Anomalies:

Causes / Solutions possibles:

Le lave-linge ne s'allume pas.

- La fiche n'est pas branchée dans la prise de courant ou mal branchée.
- Il y a une panne de courant.

Le cycle de lavage ne démarre pas.

- Le hublot n'est pas bien fermé.
- La touche ON/OFF n'a pas été enfoncée.
- La touche START/PAUSE n'a pas été enfoncée.
- Le robinet de l'eau n'est pas ouvert.
- Un départ différé a été sélectionné (voir "Personnalisations").

Il n'y a pas d'arrivée d'eau (le voyant de la première phase de lavage clignote rapidement).

- Le tuyau d'arrivée de l'eau n'est pas raccordé au robinet.
- Le tuyau est plié.
- Le robinet de l'eau n'est pas ouvert.
- Il y a une coupure d'eau.
- La pression n'est pas suffisante.
- La touche START/PAUSE n'a pas été enfoncée.

Le lave-linge prend l'eau et vidange continuellement.

- Le tuyau de vidange n'est pas installé à une distance du sol comprise entre 65 et 100 cm (voir "Installation").
- L'extrémité du tuyau de vidange est plongée dans l'eau (voir "Installation").
- L'évacuation murale n'a pas d'évent.

Si après ces vérifications, le problème persiste, fermer le robinet de l'eau, éteindre la machine et appeler le service Assistance. Si l'appartement est situé en étage dans un immeuble, il peut y avoir des phénomènes de siphonnage qui font que le lave-linge prend et évacue l'eau continuellement. Pour supprimer cet inconvénient, on trouve dans le commerce des soupapes spéciales anti-siphonnage.

Le lave-linge ne vidange pas et n'essore pas.

- Le programme ne prévoit pas de vidange: pour certains programmes, il faut la faire partir manuellement.
- Le tuyau de vidange est plié (voir "Installation").
- La conduite d'évacuation est bouchée.

Le lave-linge vibre beaucoup pendant l'essorage.

- Le tambour n'a pas été débloqué comme il faut lors de l'installation du lave-linge (voir "Installation").
- Le lave-linge n'est pas posé à plat (voir "Installation").
- Le lave-linge est coincé entre des meubles et le mur (voir "Installation").

Le lave-linge a des fuites.

- Le tuyau d'arrivée de l'eau n'est pas bien vissé (voir "Installation").
- Le tiroir à produits lessiviels est bouché (pour le nettoyer voir "Entretien et soin").
- Le tuyau de vidange n'est pas bien fixé (voir "Installation").

Les voyants des Fonctions et le voyant START/PAUSE clignotent. Le voyant du phase de lavage et le voyant hublot verrouillé restent fixes.

- Eteindre l'appareil et débrancher la fiche de la prise de courant, attendre 1 minute environ avant de rallumer.
Si l'anomalie persiste, appeler le service d'assistance.

Il y a un excès de mousse.

- Le produit de lavage utilisé n'est pas une lessive spéciale machine (il faut qu'il y ait l'inscription "pour lave-linge", "main et machine", ou autre semblable).
- La quantité utilisée est excessive.

Assistance

FR

Avant d'appeler le service après-vente:

- Vérifier si on ne peut pas résoudre l'anomalie par ses propres moyens (voir "Anomalies et Remèdes");
- Remettre le programme en marche pour contrôler si l'inconvénient a disparu;
- Autrement, contacter le Centre d'Assistance technique agréé au numéro de téléphone indiqué sur le certificat de garantie.

! Ne jamais s'adresser à des techniciens non agréés.

Communiquer:

- le type de panne;
- le modèle de l'appareil (Mod.);
- son numéro de série (S/N).

Ces informations se trouvent sur la plaque signalétique apposée à l'arrière du lave-linge et à l'avant quand on ouvre la porte hublot.

RÈGLEMENT DÉLÉGUÉ (UE) N o 1061/2010 DE LA COMMISSION

RÈGLEMENT DÉLÉGUÉ (UE) N o 1061/2010 DE LA COMMISSION	
Marque	INDESIT
Modèle	IWB 51251 C ECO EU
Capacité nominale en kg de coton	5
Classe énergétique sur une échelle de A+++ (faible consommation) à G (consommation élevée)	A+
Consommation d'énergie par année en kWh ¹⁾	169
Consommation d'énergie d'un programme coton standard à 60°C et à pleine charge en kWh ²⁾	0.852
Consommation d'énergie d'un programme coton standard à 60°C et à demi-charge en kWh ²⁾	0.673
Consommation d'énergie d'un programme coton standard à 40°C et à demi-charge en kWh ²⁾	0.592
Consommation d'énergie en mode "off" en W	0,5
Consommation d'énergie en mode "on" en W	8
Consommation d'eau par an en litres ³⁾	7800
Classe d'efficacité d'essorage sur une échelle de G (efficacité minimum) à A (efficacité maximum)	B
Vitesse d'essorage maximum ⁴⁾	1200
Taux d'humidité résiduelle (en %) ⁵⁾	53,0%
Durée du « programme coton standard à 60°C » à pleine charge en minutes	165
Durée du « programme coton standard à 60°C » à demi-charge en minutes	135
Durée du « programme coton standard à 40°C » à demi-charge en minutes	130
Durée du mode laissé en marche en minutes	30
Émissions acoustiques dans l'air, exprimées en dB(A) re 1 pW en phase de lavage ⁶⁾	62
Émissions acoustiques dans l'air, exprimées en dB(A) re 1 pW en phase d'essorage ⁶⁾	80
Encastrable	

¹⁾ Le programme "coton standard 60°C" pleine et demi-charge et le programme "coton standard 40°C" demi-charge sont les programmes de lavage standard auxquels se rapportent les informations qui figurent sur l'étiquette et sur la fiche. Ils conviennent pour laver du linge en coton normalement sale, et il s'agit des programmes les plus efficaces en termes de consommation combinée d'eau et d'énergie. La demi-charge correspond à la moitié de la charge nominale.

²⁾ Sur la base de 220 cycles de lavage standard pour les programmes coton à 60°C et à 40°C à pleine et à demi-charge, et de la consommation des modes à faible puissance. La consommation réelle d'énergie dépend des conditions d'utilisation de l'appareil.

³⁾ Sur la base de 220 cycles de lavage standard pour les programmes coton à 60°C et à 40°C à pleine et à demi-charge. La consommation réelle d'eau dépend des conditions d'utilisation de l'appareil.

⁴⁾ Pour le programme standard à 60°C à pleine ou demi-charge, ou le programme standard à 40°C à demi-charge, la valeur la plus faible des deux étant retenue.

⁵⁾ Atteint avec le programme coton à 60°C à pleine et demi-charge, ou le programme coton à 40°C à demi-charge, la valeur la plus élevée des deux étant retenue.

⁶⁾ Sur la base des phases de lavage et d'essorage pour le programme coton standard à 60°C à pleine charge.



Italiano

IWB 51251

Sommario

Installazione, 26-27

Disimballo e livellamento
Collegamenti idraulici ed elettrici
Primo ciclo di lavaggio
Dati tecnici

Manutenzione e cura, 28

Escludere acqua e corrente elettrica
Pulire la lavabiancheria
Pulire il cassetto dei detersivi
Curare oblò e cestello
Pulire la pompa
Controllare il tubo di alimentazione dell'acqua

Precauzioni e consigli, 29

Sicurezza generale
Smaltimento

Descrizione della lavabiancheria e avviare un programma, 30-31

Pannello di controllo
Spie
Avviare un programma

Programmi, 32

Tabella dei programmi

Personalizzazioni, 33

Impostare la temperatura
Opzioni

Detersivi e biancheria, 34

Cassetto dei detersivi
Preparare la biancheria
Capi particolari
Sistema bilanciamento del carico

Anomalie e rimedi, 35

Assistenza, 36

Assistenza Attiva 7 giorni su 7

Installazione

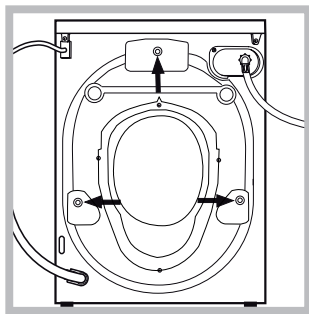
! È importante conservare questo libretto per poterlo consultare in ogni momento. In caso di vendita, di cessione o di trasloco, assicurarsi che resti insieme alla lavabiancheria per informare il nuovo proprietario sul funzionamento e sui relativi avvertimenti.

! Leggere attentamente le istruzioni: ci sono importanti informazioni sull'installazione, sull'uso e sulla sicurezza.

Disimballo e livellamento

Disimballo

1. Disimballare la lavabiancheria.
2. Controllare che la lavabiancheria non abbia subito danni nel trasporto. Se fosse danneggiata non collegarla e contattare il rivenditore.



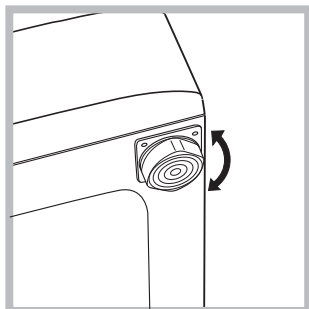
3. Rimuovere le 3 viti di protezione per il trasporto e il gommino con il relativo distanziale, posti nella parte posteriore (vedi figura).

4. Chiudere i fori con i tappi di plastica in dotazione.
5. Conservare tutti i pezzi: qualora la lavabiancheria debba essere trasportata, dovranno essere rimontati.

! Gli imballaggi non sono giocattoli per bambini.

Livellamento

1. Installare la lavabiancheria su un pavimento piano e rigido, senza appoggiarla a muri, mobili o altro.

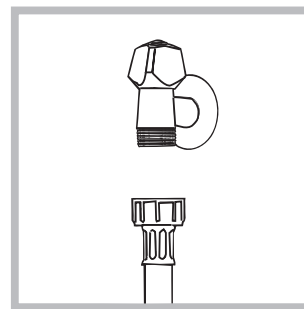


2. Se il pavimento non fosse perfettamente orizzontale, compensare le irregolarità svitando o avvitando i piedini anteriori (vedi figura); l'angolo di inclinazione, misurato sul piano di lavoro, non deve superare i 2°.

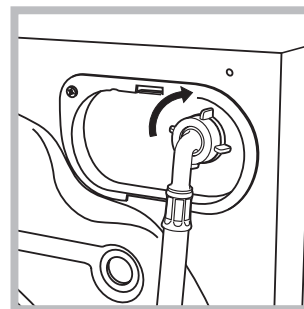
Un accurato livellamento dà stabilità alla macchina ed evita vibrazioni, rumori e spostamenti durante il funzionamento. In caso di moquette o di un tappeto, regolare i piedini in modo da conservare sotto la lavabiancheria uno spazio sufficiente per la ventilazione.

Collegamenti idraulici ed elettrici

Collegamento del tubo di alimentazione dell'acqua



1. Collegare il tubo di alimentazione avvitandolo a un rubinetto d'acqua fredda con bocca filettata da 3/4 gas (vedi figura). Prima di allacciare, far scorrere l'acqua finché non sia limpida.



2. Collegare il tubo di alimentazione alla lavabiancheria avvitandolo all'apposita presa d'acqua, nella parte posteriore in alto a destra (vedi figura).

3. Fare attenzione che nel tubo non ci siano né pieghe né strozzature.

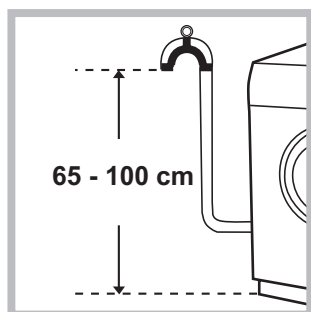
! La pressione idrica del rubinetto deve essere compresa nei valori della tabella Dati tecnici (vedi pagina a fianco).

! Se la lunghezza del tubo di alimentazione non fosse sufficiente, rivolgersi a un negozio specializzato o a un tecnico autorizzato.

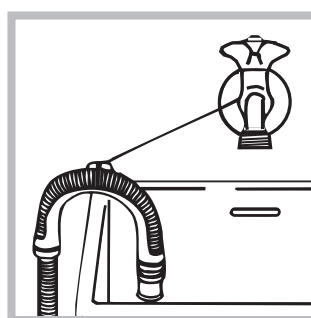
! Non utilizzare mai tubi già usati.

! Utilizzare quelli in dotazione alla macchina.

Collegamento del tubo di scarico



Collegare il tubo di scarico, senza piegarlo, a una condotta di scarico o a uno scarico a muro posti tra 65 e 100 cm da terra;



oppure appoggiarlo al bordo di un lavandino o di una vasca, legando la guida in dotazione al rubinetto (vedi figura). L'estremità libera del tubo di scarico non deve rimanere immersa nell'acqua.

! È sconsigliato usare tubi di prolunga; se indispensabile, la prolunga deve avere lo stesso diametro del tubo originale e non superare i 150 cm.

Collegamento elettrico

Prima di inserire la spina nella presa della corrente, accertarsi che:

- la presa abbia la messa a terra e sia a norma di legge;
- la presa sia in grado di sopportare il carico massimo di potenza della macchina, indicato nella tabella Dati tecnici (vedi a fianco);
- la tensione di alimentazione sia compresa nei valori indicati nella tabella Dati tecnici (vedi a fianco);
- la presa sia compatibile con la spina della lavabiancheria. In caso contrario sostituire la presa o la spina.

! La lavabiancheria non va installata all'aperto, nemmeno se lo spazio è riparato, perché è molto pericoloso lasciarla esposta a pioggia e temporali.

! A lavabiancheria installata, la presa della corrente deve essere facilmente raggiungibile.

! Non usare prolunghe e multiple.

! Il cavo non deve subire piegature o compressioni.

! Il cavo di alimentazione deve essere sostituito solo da tecnici autorizzati.

Attenzione! L'azienda declina ogni responsabilità qualora queste norme non vengano rispettate.

Primo ciclo di lavaggio

Dopo l'installazione, prima dell'uso, effettuare un ciclo di lavaggio con detersivo e senza biancheria impostando il programma 2.

Dati tecnici

Modello IWB 51251

Dimensioni larghezza cm 59,5
altezza cm 85
profondità cm 51,7

Capacità da 1 a 5 kg

Collegamenti elettrici vedi la targhetta caratteristiche tecniche applicata sulla macchina

Collegamenti idrici pressione massima 1 MPa (10 bar)
pressione minima 0,05 MPa (0,5 bar)
capacità del cesto 46 litri

Velocità di centrifuga sino a 1200 giri al minuto

Programmi di controllo secondo la direttiva 1061/2010 e 1015/2010 programma 2; Cotone standard 60°C.
programma 3; Cotone standard 40°C.



Questa apparecchiatura è conforme alle seguenti Direttive Comunitarie:

- 2004/108/CE (Compatibilità Elettromagnetica)
- 2012/19/EU
- 2006/95/CE (Bassa Tensione)

Manutenzione e cura

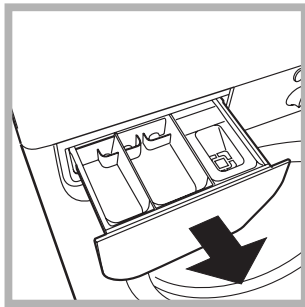
Escludere acqua e corrente elettrica

- Chiudere il rubinetto dell'acqua dopo ogni lavaggio. Si limita così l'usura dell'impianto idraulico della lavabiancheria e si elimina il pericolo di perdite.
- Staccare la spina della corrente quando si pulisce la lavabiancheria e durante i lavori di manutenzione.

Pulire la lavabiancheria

La parte esterna e le parti in gomma possono essere puliti con un panno imbevuto di acqua tiepida e sapone. Non usare solventi o abrasivi.

Pulire il cassetto dei detersivi



Sfilare il cassetto sollevandolo e tirandolo verso l'esterno (vedi figura). Lavarlo sotto l'acqua corrente; questa pulizia va effettuata frequentemente.

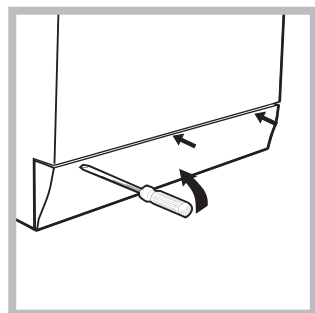
Curare oblò e cestello

- Lasciare sempre socchiuso l'oblò per evitare che si formino cattivi odori.

Pulire la pompa

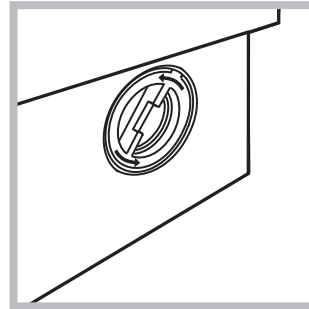
La lavabiancheria è dotata di una pompa autopulente che non ha bisogno di manutenzione. Può però succedere che piccoli oggetti (monete, bottoni) cadano nella precamera che protegge la pompa, situata nella parte inferiore di essa.

! Assicurarsi che il ciclo di lavaggio sia terminato e staccare la spina.



Per accedere alla precamera:

1. rimuovere il pannello di copertura sul lato anteriore della lavabiancheria con l'ausilio di un giravite (vedi figura);



2. svitare il coperchio ruotandolo in senso antiorario (vedi figura): è normale che fuoriesca un po' d'acqua;

3. pulire accuratamente l'interno;
4. riavvitare il coperchio;
5. rimontare il pannello assicurandosi, prima di spingerlo verso la macchina, di aver inserito i ganci nelle apposite asole.

Controllare il tubo di alimentazione dell'acqua

Controllare il tubo di alimentazione almeno una volta all'anno. Se presenta screpolature e fessure va sostituito: durante i lavaggi le forti pressioni potrebbero provocare improvvise spaccature.

! Non utilizzare mai tubi già usati.

! La lavabiancheria è stata progettata e costruita in conformità alle norme internazionali di sicurezza. Queste avvertenze sono fornite per ragioni di sicurezza e devono essere lette attentamente.

Sicurezza generale

- Questo apparecchio è stato concepito esclusivamente per un uso di tipo domestico.
- Questo apparecchio può essere usato da bambini da 8 anni in su e da persone con capacità fisiche, sensoriali o mentali ridotte o con esperienza e conoscenze insufficienti se sono supervisionati o se hanno ricevuto adeguata formazione in merito all'uso dell'apparecchio in modo sicuro e capendo i pericoli connessi. I bambini non devono giocare con l'apparecchio. Manutenzione e pulizia non devono essere effettuati dai bambini senza supervisione.
- La lavabiancheria deve essere usata solo da persone adulte e secondo le istruzioni riportate in questo libretto.
- Non toccare la macchina a piedi nudi o con le mani o i piedi bagnati o umidi.
- Non staccare la spina dalla presa della corrente tirando il cavo, bensì afferrando la spina.
- Non aprire il cassetto dei detersivi mentre la macchina è in funzione.
- Non toccare l'acqua di scarico, che può raggiungere temperature elevate.
- Non forzare in nessun caso l'oblò: potrebbe danneggiarsi il meccanismo di sicurezza che protegge da aperture accidentali.
- In caso di guasto, in nessun caso accedere ai meccanismi interni per tentare una riparazione.
- Controllare sempre che i bambini non si avvicinino alla macchina in funzione.
- Durante il lavaggio l'oblò tende a scaldarsi.
- Se dev'essere spostata, lavorare in due o tre persone con la massima attenzione. Mai da soli perché la macchina è molto pesante.
- Prima di introdurre la biancheria controlla che il cestello sia vuoto.

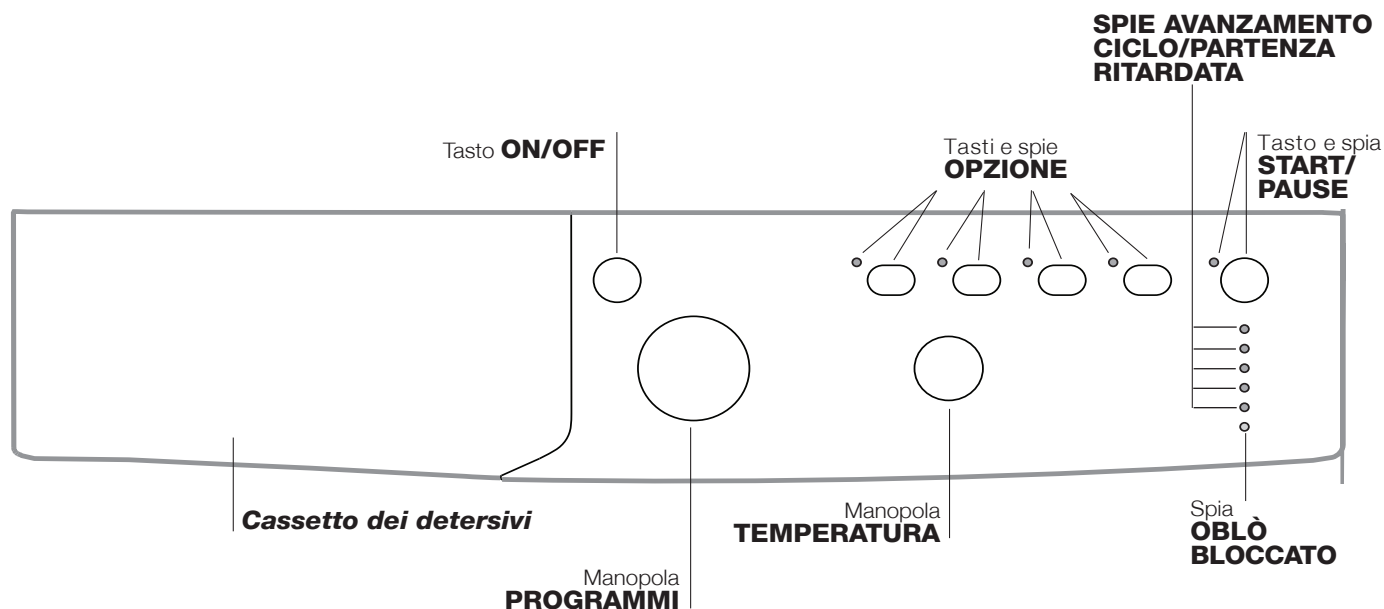
Smaltimento

- Smaltimento del materiale di imballaggio: attenersi alle norme locali, così gli imballaggi potranno essere riutilizzati.
- La direttiva Europea 2012/19/EU sui rifiuti di apparecchiature elettriche ed elettroniche, prevede che gli elettrodomestici non debbano essere smaltiti nel normale flusso dei rifiuti solidi urbani. Gli apparecchi dismessi devono essere raccolti separatamente per ottimizza-

re il tasso di recupero e riciclaggio dei materiali che li compongono ed impedire potenziali danni per la salute e l'ambiente. Il simbolo del cestino barrato è riportato su tutti i prodotti per ricordare gli obblighi di raccolta separata. Per ulteriori informazioni, sulla corretta dismissione degli elettrodomestici, i detentori potranno rivolgersi al servizio pubblico preposto o ai rivenditori.

Descrizione della lavabiancheria e avviare un programma

Pannello di controllo



Cassetto dei detersivi: per caricare detersivi e additivi (vedi "Detersivi e biancheria").

Tasto **ON/OFF:** per accendere e spegnere la lavabiancheria.

Manopola **PROGRAMMI:** per impostare i programmi. Durante il programma la manopola resterà ferma.

Tasti e spie **OPZIONE:** per selezionare le opzioni disponibili. La spia relativa all'opzione selezionata rimarrà accesa.

Manopola **TEMPERATURA:** per impostare la temperatura o il lavaggio a freddo (vedi "Personalizzazioni").


SPIE AVANZAMENTO CICLO/PARTENZA RITARDATA: per seguire lo stato di avanzamento del programma di lavaggio.

La spia accesa indica la fase in corso.

Se è stata impostata l'opzione "Partenza Ritardata", indicheranno il tempo mancante all'avvio del programma (vedi pagina a fianco).

Spia **OBLÒ BLOCCATO:** per capire se l'oblò è apribile (vedi pagina a fianco).

Tasto e spia **START/PAUSE:** per avviare i programmi o interromperli momentaneamente.

N.B.: per mettere in pausa il lavaggio in corso, premere questo tasto, la spia relativa lampeggerà con colore arancione mentre quella della fase in corso sarà accesa fissa. Se la spia **OBLÒ BLOCCATO**  sarà spenta, si potrà aprire l'oblò (attendere 3 minuti circa). Per far ripartire il lavaggio dal punto in cui è stato interrotto, premere nuovamente questo tasto.

Modalità di stand by

Questa lavatrice, in conformità alle nuove normative legate al risparmio energetico, è dotata di un sistema di autospegnimento (stand by) che entra in funzione dopo alcuni minuti nel caso di non utilizzo. Premere brevemente il tasto ON-OFF e attendere che la macchina si riattivi.

Spie

Le spie forniscono informazioni importanti. Ecco che cosa dicono:

Partenza ritardata

Se è stata attivata l'opzione "Partenza ritardata" (vedi "Personalizzazioni"), dopo avere avviato il programma, inizierà a lampeggiare la spia relativa al ritardo selezionato:







Col trascorrere del tempo verrà visualizzato il ritardo residuo con il lampeggio della spia relativa:



Trascorso il ritardo selezionato avrà inizio il programma impostato.

Spie fase in corso

Una volta selezionato e avviato il ciclo di lavaggio desiderato, le spie si accenderanno progressivamente per indicarne lo stato di avanzamento:

Lavaggio	
Risciacquo	
Centrifuga	
Scarico	
Fine lavaggio	

Tasti opzione e relative spie

Selezionando un'opzione la spia relativa si illuminerà. Se l'opzione selezionata non è compatibile con il programma impostato la spia relativa lampeggerà e l'opzione non verrà attivata.

Se l'opzione selezionata non è compatibile con un'altra precedentemente impostata, la spia relativa alla prima funzione selezionata lampeggerà e verrà attivata solo la seconda, la spia dell'opzione attivata si illuminerà.


Spia oblò bloccato

La spia accesa indica che l'oblò è bloccato per impedire l'apertura; per aprire l'oblò è necessario che la spia sia spenta (attendere 3 minuti circa).

Per aprire l'oblò mentre un ciclo è in corso premere il pulsante START/PAUSE; se la spia OBLÒ BLOCCATO è spenta sarà possibile aprire l'oblò.

! Il lampeggio veloce delle spie delle "fasi di lavaggio" e quella dell'OBLÒ BLOCCATO segnalano un'anomalia (vedi "Anomalie e rimedi").

Avviare un programma

1. Accendere la lavabiancheria premendo il tasto ON/OFF. Tutte le spie si accenderanno per qualche secondo, poi si spegneranno e pulserà la spia START/PAUSE.
2. Caricare la biancheria e chiudere l'oblò.
3. Impostare con la manopola PROGRAMMI il programma desiderato.
4. Impostare la temperatura di lavaggio (vedi "Personalizzazioni").
5. Versare detersivo e additivi (vedi "Detersivi e biancheria").
6. Selezionare le opzioni desiderate.
7. Avviare il programma premendo il tasto START/PAUSE e la spia relativa rimarrà accesa fissa di colore verde. Per annullare il ciclo impostato mettere la macchina in pausa premendo il tasto START/PAUSE e scegliere un nuovo ciclo.
8. Al termine del programma si illuminerà la spia END. Quando la spia OBLÒ BLOCCATO  si spegnerà sarà possibile aprire l'oblò (attendere 3 minuti circa). Estrarre la biancheria e lasciare l'oblò socchiuso per far asciugare il cestello. Spegnerne la lavabiancheria premendo il tasto ON/OFF.

Programmi

Tabella dei programmi

Programmi	Descrizione del Programma	Temp. max. (°C)	Velocità max. (giri al minuto)	Detersivi			Carico max. (Kg)	Umidità residua %	Consumo energia kWh	Acqua totale lt	Durata ciclo
				Prelavaggio	Lavaggio	Ammorbidente					
Giornalieri (Daily)											
1	Cotone con prelavaggio : bianchi estremamente sporchi.	90°	1200	●	●	●	5	53	1,90	68	155'
2	Cotone standard: (1) : bianchi e colorati resistenti molto sporchi.	60° (Max. 90°)	1200	-	●	●	5	53	0,85	47,2	165'
3	Cotone standard: (2) : bianchi poco sporchi e colori delicati.	40°	1200	-	●	●	5	53	0,83	49	155'
4	Sintetici : colori resistenti molto sporchi.	60°	800	-	●	●	3	44	0,78	33	105'
4	Sintetici (3) : colori resistenti poco sporchi.	40°	800	-	●	●	3	44	0,49	38	95'
5	Mix colorati : bianchi poco sporchi e colori delicati.	40°	1200	-	●	●	5	53	0,86	56	95'
Zona 20°											
6	Cotone standard	20°	1200	-	●	●	5	-	-	-	170'
7	Mix light	20°	800	-	●	●	5	-	-	-	120'
8	20' refresh	20°	800	-	●	●	1,5	-	-	-	20'
Speciali (Special)											
9	Seta e tende : per capi in seta, viscosa, lingerie.	30°	0	-	●	●	1	-	-	-	55'
10	Lana : per lana, cachemire, ecc.	40°	800	-	●	●	1,5	-	-	-	70'
11	Jeans	40°	800	-	●	●	3	-	-	-	75'
Sport											
12	Sport Intensive	30°	600	-	●	●	3	-	-	-	85'
13	Sport Light	30°	600	-	●	●	3	-	-	-	60'
14	Sport Shoes	30°	600	-	●	●	Max. 2 paia	-	-	-	55'
Parziali											
	Risciacquo	-	1200	-	-	●	5	-	-	-	36'
	Centrifuga + Scarico	-	1200	-	-	-	5	-	-	-	10'

La durata del ciclo indicata sul display o sul libretto è una stima calcolata in base a condizioni standard. Il tempo effettivo può variare in base a numerosi fattori quali temperatura e pressione dell'acqua in ingresso, temperatura ambiente, quantità di detersivo, quantità e tipo di carico, bilanciamento del carico, opzioni aggiuntive selezionate.

1) Programma di controllo secondo la direttiva 1061/2010: impostare il programma 2 con una temperatura di 60°C.

Questo ciclo è adatto per pulire un carico di cotone normalmente sporco ed è il più efficiente in termini di consumo combinato di energia e di acqua, da usare su capi lavabili a 60 °C. La temperatura effettiva di lavaggio può differire da quella indicata.

2) Programma di controllo secondo la direttiva 1061/2010: impostare il programma 3 con una temperatura di 40°C.

Questo ciclo è adatto per pulire un carico di cotone normalmente sporco ed è il più efficiente in termini di consumo combinato di energia e di acqua, da usare su capi lavabili a 40 °C. La temperatura effettiva di lavaggio può differire da quella indicata.

Per tutti Test Institutes:

2) Programma cotone lungo: impostare il programma 3 con una temperatura di 40°C.

3) Programma sintetico lungo: impostare il programma 4 con una temperatura di 40°C.

Sport Intensive (programma 12) è studiato per lavare tessuti per abbigliamento sportivo (tute, calzoncini, ecc.) molto sporchi; per ottenere i migliori risultati è consigliabile non superare il carico massimo indicato nella "Tabella dei programmi".

Sport Light (programma 13) è studiato per lavare tessuti per abbigliamento sportivo (tute, calzoncini, ecc.) poco sporchi; per ottenere i migliori risultati è consigliabile non superare il carico massimo indicato nella "Tabella dei programmi". Si raccomanda di usare detersivo liquido, usare una dose adatta a mezzo carico.

Sport Shoes (programma 14) è studiato per lavare scarpe sportive; per ottenere i migliori risultati non lavarne più di 2 paia.

I programmi 20° (Zona 20°) offrono buone performance di lavaggio a basse temperature consentendo un minore utilizzo di energia elettrica con un risparmio economico e un beneficio per l'ambiente. I programmi 20° rispondono a tutte le esigenze:

Cotone standard (programma 6) ideale per carichi in cotone sporchi. Le buone performance anche a freddo, comparabili con un lavaggio a 40°, sono garantite da un'azione meccanica che lavora con variazione di velocità a picchi ripetuti e ravvicinati.

Mix light (programma 7) ideale per carichi misti (cotone e sintetici) mediamente sporchi. Le buone performance di lavaggio anche a freddo sono garantite da un'azione meccanica che lavora con variazione di velocità su intervalli medi e determinati.

20' refresh (programma 8) ciclo ideale per rinfrescare e lavare capi leggermente sporchi in pochi minuti.

Dura solo 20 minuti e fa così risparmiare tempo ed energia. E' possibile lavare insieme tessuti di diversa natura (esclusi lana e seta) con un carico massimo di 1,5 kg.

Impostare la temperatura

Ruotando la manopola TEMPERATURA si imposta la temperatura di lavaggio (vedi *Tabella programmi*).

La temperatura si può ridurre sino al lavaggio a freddo ❄.

La macchina impedirà automaticamente di impostare una temperatura maggiore a quella massima prevista per ogni programma.

! Eccezione: selezionando il programma **2** la temperatura può essere portata sino a 90°.

Opzioni

Le varie opzioni di lavaggio previste dalla lavabiancheria permettono di ottenere la pulizia e il bianco desiderati.

Per attivare le opzioni:

1. premere il tasto relativo all'opzione desiderata;
2. l'accensione della spia relativa segnala che l'opzione è attiva.

Nota:

- Se l'opzione selezionata non è compatibile con il programma impostato la spia relativa lampeggerà e l'opzione non verrà attivata.
- Se l'opzione selezionata non è compatibile con un'altra precedentemente impostata, la spia relativa alla prima funzione selezionata lampeggerà e verrà attivata solo la seconda, la spia dell'opzione attivata si illuminerà.

EcoTime

Selezionando questa opzione la movimentazione meccanica, la temperatura e l'acqua sono ottimizzate per un carico ridotto di cotone e sintetici poco sporchi (vedi *"Tabella dei programmi"*).

Con "EcoTime" puoi lavare in tempi ridotti, risparmiando acqua ed energia. Si consiglia di utilizzare una dose di detersivo liquido adatta alla quantità di carico.

Energy Saver

L'opzione Energy Saver risparmia energia non riscaldando l'acqua utilizzata per lavare i tuoi capi, un vantaggio sia per l'ambiente che per la tua bolletta dell'elettricità. Al contrario, un'azione meccanica intensificata ed un utilizzo ottimizzato dell'acqua assicurano ottimi risultati di lavaggio nello stesso tempo di un ciclo standard.

Per i migliori risultati di lavaggio, raccomandiamo l'utilizzo di detersivo liquido.



Premendo questo tasto si riduce la velocità di centrifuga

Partenza ritardata

Ritarda l'avvio della macchina sino a 12 ore.

Premere più volte il tasto fino a far accendere la spia relativa al ritardo desiderato. Alla quinta pressione del tasto la l'opzione si disattiverà.

N.B.: Una volta premuto il tasto START/PAUSE, si può modificare il valore del ritardo solo diminuendolo fino ad avviare il programma impostato.

Detersivi e biancheria

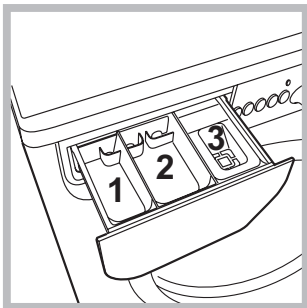
Cassetto dei detersivi

Il buon risultato del lavaggio dipende anche dal corretto dosaggio del detersivo: eccedendo non si lava in modo più efficace e si contribuisce a incrostare le parti interne della lavabiancheria e a inquinare l'ambiente.

! Non usare detersivi per il lavaggio a mano, perché formano troppa schiuma.

! Usare detersivi in polvere per capi in cotone bianchi e per il prelavaggio e per lavaggi con temperatura superiore a 60°C.

! Seguire le indicazioni riportate sulla confezione di detersivo.



Estrarre il cassetto dei detersivi e inserire il detersivo o l'additivo come segue.

vaschetta 1: Detersivo per prelavaggio (in polvere)

vaschetta 2: Detersivo per lavaggio (in polvere o liquido)

Il detersivo liquido va versato solo prima dell'avvio.

vaschetta 3: Additivi (ammorbidente, ecc.)

L'ammorbidente non deve fuoriuscire dalla griglia.

Preparare la biancheria

- Suddividere la biancheria secondo:
 - il tipo di tessuto / il simbolo sull'etichetta.
 - i colori: separare i capi colorati da quelli bianchi.
- Vuotare le tasche e controllare i bottoni.
- Non superare i valori indicati nella "Tabella dei Programmi" riferiti al peso della biancheria asciutta.


Quanto pesa la biancheria?

- 1 lenzuolo 400-500 gr.
- 1 federa 150-200 gr.
- 1 tovaglia 400-500 gr.
- 1 accappatoio 900-1.200 gr.
- 1 asciugamano 150-250 gr.

Capi particolari

Seta: utilizzare l'apposito programma **9** per lavare tutti i capi in seta. Si consiglia l'utilizzo di un detersivo specifico per capi delicati.

Tende: si raccomanda di piegarle e sistemarle dentro una federa o un sacchetto a rete. Utilizzare il programma **9**.

Lana: con il programma **10** è possibile lavare in lavatrice tutti i capi in lana, anche quelli con l'etichetta "solo lavaggio a mano" . Per ottenere i migliori risultati utilizzare un detersivo specifico e non superare 1,5 kg di bucato.

Jeans: rovesciare i capi prima del lavaggio ed utilizzare un detersivo liquido. Utilizzare il programma **11**.

Sistema bilanciamento del carico

Prima di ogni centrifuga, per evitare vibrazioni eccessive e per distribuire il carico in modo uniforme, il cestello effettua delle rotazioni ad una velocità leggermente superiore a quella del lavaggio. Se al termine di ripetuti tentativi il carico non fosse ancora correttamente bilanciato la macchina effettua la centrifuga ad una velocità inferiore a quella prevista. In presenza di eccessivo sbilanciamento la lavabiancheria effettua la distribuzione anziché la centrifuga. Per favorire una migliore distribuzione del carico e il suo corretto bilanciamento si consiglia di mescolare capi grandi e piccoli.

Può accadere che la lavabiancheria non funzioni. Prima di telefonare all'Assistenza (vedi "Assistenza"), controllare che non si tratti di un problema facilmente risolvibile aiutandosi con il seguente elenco.

Anomalie:

La lavabiancheria non si accende.

Il ciclo di lavaggio non inizia.

La lavabiancheria non carica acqua (Sul display viene visualizzata la scritta H2O lampeggiante).

La lavabiancheria carica e scarica acqua di continuo.

La lavabiancheria non scarica o non centrifuga.

La lavabiancheria vibra molto durante la centrifuga.

La lavabiancheria perde acqua.

Le spie delle "opzioni" e la spia di "START/PAUSE" lampeggiano e una delle spie della "fase in corso" e di "oblò bloccato" si accendono fisse.

Si forma troppa schiuma.

Possibili cause / Soluzione:

- La spina non è inserita nella presa della corrente, o non abbastanza da fare contatto.
- In casa non c'è corrente.

- L'oblò non è ben chiuso.
- Il tasto ON/OFF non è stato premuto.
- Il tasto START/PAUSE non è stato premuto.
- Il rubinetto dell'acqua non è aperto.
- Si è impostato un ritardo sull'ora di avvio.

- Il tubo di alimentazione dell'acqua non è collegato al rubinetto.
- Il tubo è piegato.
- Il rubinetto dell'acqua non è aperto.
- In casa manca l'acqua.
- Non c'è sufficiente pressione.
- Il tasto START/PAUSE non è stato premuto.

- Il tubo di scarico non è installato fra 65 e 100 cm da terra (vedi "Installazione").
- L'estremità del tubo di scarico è immersa nell'acqua (vedi "Installazione").
- Lo scarico a muro non ha lo sfiato d'aria.

Se dopo queste verifiche il problema non si risolve, chiudere il rubinetto dell'acqua, spegnere la lavabiancheria e chiamare l'Assistenza. Se l'abitazione si trova agli ultimi piani di un edificio, è possibile che si verifichino fenomeni di sifonaggio, per cui la lavabiancheria carica e scarica acqua di continuo. Per eliminare l'inconveniente sono disponibili in commercio apposite valvole anti-sifonaggio.

- Il programma non prevede lo scarico: con alcuni programmi occorre avviarlo manualmente.
- Il tubo di scarico è piegato (vedi "Installazione").
- La condotta di scarico è ostruita.

- Il cestello, al momento dell'installazione, non è stato sbloccato correttamente (vedi "Installazione").
- La lavabiancheria non è in piano (vedi "Installazione").
- La lavabiancheria è stretta tra mobili e muro (vedi "Installazione").

- Il tubo di alimentazione dell'acqua non è ben avvitato (vedi "Installazione").
- Il cassetto dei detersivi è intasato (per pulirlo vedi "Manutenzione e cura").
- Il tubo di scarico non è fissato bene (vedi "Installazione").

- Spegnere la macchina e togliere la spina dalla presa, attendere circa 1 minuto quindi riaccenderla.
Se l'anomalia persiste, chiamare l'Assistenza.

- Il detersivo non è specifico per lavabiancheria (deve esserci la dicitura "per lavatrice", "a mano e in lavatrice", o simili).
- Il dosaggio è stato eccessivo.

Assistenza

Prima di contattare l'Assistenza:

- Verificare se l'anomalia può essere risolta da soli (vedi "Anomalie e rimedi").
- Riavviare il programma per controllare se l'inconveniente è stato ovviato;
- In caso negativo, contattare il Numero Unico 199.199.199*.

! Non ricorrere mai a tecnici non autorizzati.

Comunicare:

- il tipo di anomalia;
- il modello della macchina (Mod.);
- il numero di serie (S/N).

Queste informazioni si trovano sulla targhetta applicata nella parte posteriore della lavabiancheria e nella parte anteriore aprendo l'oblò.

Assistenza Attiva 7 giorni su 7



In caso di necessità d'intervento chiamare il Numero Unico Nazionale 199.199.199*. Un operatore sarà a completa disposizione per fissare un appuntamento con il Centro Assistenza Tecnico Autorizzato più vicino al luogo da cui si chiama. È attivo 7 giorni su 7, sabato e domenica compresi, e non lascia mai inascoltata una richiesta.

* Al costo di 14,25 centesimi di Euro al minuto (iva inclusa) dal Lun. al Ven. dalle 08:00 alle 18:30, il Sab. dalle 08:00 alle 13:00 e di 5,58 centesimi di Euro al minuto (iva inclusa) dal Lun. al Ven. dalle 18:30 alle 08:00, il Sab. dalle 13:00 alle 08:00 e i giorni festivi, per chi chiama da telefono fisso. Per chi chiama da radiomobile le tariffe sono legate al piano tariffario dell'operatore telefonico utilizzato. Le suddette tariffe potrebbero essere soggette a variazione da parte dell'operatore telefonico; per maggiori informazioni consultare il sito www.aristonchannel.com.

FICHE TECNICA - REGOLAMENTO DELEGATO (UE) N. 1061/2010 DELLA COMMISSIONE

FICHE TECNICA - REGOLAMENTO DELEGATO (UE) N. 1061/2010 DELLA COMMISSIONE	
Marchio	INDESIT
Modello	IWB 51251 C ECO EU
Capacità in kg di cotone	5
Classe di efficienza energetica su una scala da A+++ (basso consumo) a G (alto consumo)	A+
Consumo annuo di energia in kWh ¹⁾	169
Consumo di energia del programma cotone standard a 60°C a pieno carico in kWh ²⁾	0.852
Consumo di energia del programma cotone standard a 60° carico parziale in kWh ²⁾	0.673
Consumo di energia del programma cotone standard a 40° a carico parziale in kWh ²⁾	0.592
Consumo di potenza in modo spento in W	0,5
Consumo di potenza in modo lasciato acceso in W	8
Consumo di acqua in litri/anno ³⁾	7800
Classe di efficacia di centrifuga su una scala da G (efficacia minima) ad A (efficacia massima)	B
Velocità massima di centrifuga raggiunta ⁴⁾	1200
Umidità residua ⁵⁾	53.0%
Durata del programma cotone standard a 60°C a pieno carico in minuti	165
Durata del programma cotone standard a 60°C a carico parziale in minuti	135
Durata del programma cotone standard a 40°C a carico parziale in minuti	130
Durata del modo lasciato acceso in minuti	30
Rumore in dB(A) re 1 pW in lavaggio ⁶⁾	62
Rumore in dB(A) re 1 pW in centrifuga ⁶⁾	80
Modello da incasso	

¹⁾ Basato su 220 cicli di lavaggio cotone standard a 60°C e a 40°C a carico pieno e parziale e sul consumo nei modi di spento e lasciato acceso. Il consumo effettivo dipende dalla modalità di utilizzo della lavabiancheria.

²⁾ Il "cotone standard a 60°C" a carico pieno e parziale ed il "cotone standard a 40°C" a carico parziale sono i programmi di lavaggio standard ai quali fanno riferimento le informazioni sull'etichetta e sulla scheda, questi programmi sono adatti per lavare cotone normalmente sporco e sono i programmi più efficienti in termini di consumo combinato di energia e acqua. Il carico parziale è la metà del carico nominale.

³⁾ Basato su 220 cicli di lavaggio cotone standard a 60°C e a 40°C a carico pieno e parziale. Il consumo effettivo dipende dalla modalità di utilizzo dell'apparecchio.

⁴⁾ Valore minimo fra il programma cotone standard 60°C a pieno e metà carico e il cotone standard 40°C a metà carico.

⁵⁾ Valore massimo fra il programma cotone standard 60°C a pieno e metà carico e il cotone standard 40°C a metà carico.

⁶⁾ Misurato sul programma cotone standard a 60°C pieno carico.

CZ

Česky

IWB 51251

Obsah

Instalace, 38-39

Rozbalení a vyrovnání do vodorovné polohy
Připojení k elektrické a k vodovodní síti
První prací cyklus
Technické údaje

Údržba a péče, 40

Uzavření přívodu vody a vypnutí elektrického napájení
Čištění pračky
Čištění dávkovače pracích prostředků
Péče o dvířka a buben
Čištění čerpadla
Kontrola přítokové hadice na vodu

Opatření a rady, 41

Základní bezpečnostní pokyny
Likvidace

Popis pračky a zahájení pracího programu, 42-43

Ovládací panel
Kontrolky
Zahájení pracího programu

Prací programy, 44

Tabulka pracích programů

Uživatelská nastavení, 45

Nastavení teploty
Funkce

Prací prostředky a prádlo, 46

Dávkovač pracích prostředků
Příprava prádla
Oděvy vyžadující zvláštní péči
Systém automatického vyvážení náplně

Poruchy a způsob jejich odstranění, 47

Servisní služba, 48

Instalace

CZ

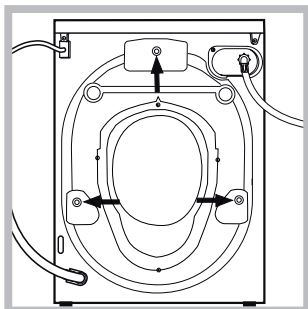
! Je důležité uschovat tento návod tak, abyste jej mohli kdykoli konzultovat. V případě prodeje, darování nebo přestěhování pračky se ujistěte, že zůstane uložen v blízkosti pračky, aby mohl posloužit novému majiteli při seznámení s její činností a s příslušnými upozorněními.

! Pozorně si přečtěte uvedené pokyny: obsahují důležité informace týkající se instalace, použití a bezpečnosti při práci.

Rozbalení a vyrovnaní do vodorovné polohy

Rozbalení

1. Rozbalte pračku.
2. Zkontrolujte, zda během přepravy nedošlo k jejímu poškození. V případě, že je poškozena, ji nezapojujte a obraťte se na prodejce.



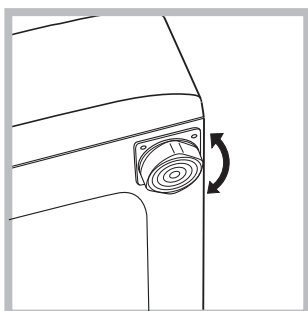
3. Odstraňte 3 šrouby chránící před poškozením během přepravy a gumovou podložku s příslušnou rozpěrkou, které se nacházejí v zadní části (viz obrázek).

4. Uzavřete otvory po šroubech plastovými krytkami z příslušenství.
5. Uschovejte všechny díly: v případě opětovné přepravy pračky je bude třeba namontovat zpět.

! Obaly nejsou hračky pro děti!

Vyrovnaní do vodorovné polohy

1. Pračku je třeba umístit na rovnou a pevnou podlahu, aniž by se opírala o stěnu, nábytek či něco jiného.



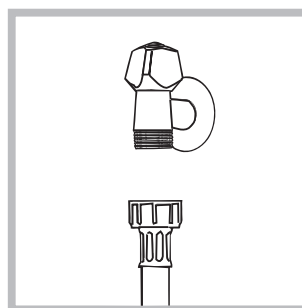
2. V případě, že podlaha není dokonale vodorovná, mohou být případné rozdíly vykompenzovány šroubováním

předních nožek (viz obrázek); Úhel sklonu, naměřený na pracovní ploše, nesmí přesáhnout 2°.

Dokonalé vyrovnaní do vodorovné polohy zabezpečí stabilitu zařízení a zamezí vzniku vibrací a hluku během činnosti. V případě instalace na podlahovou krytinu nebo na koberec nastavte nožky tak, aby pod pračkou zůstal dostatečný volný prostor pro ventilaci.

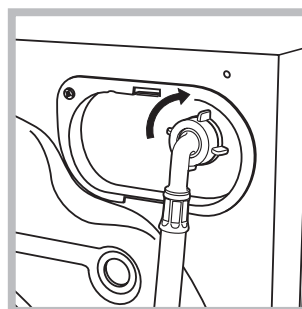
Připojení k elektrické a k vodovodní síti

Připojení přítokové hadice vody



de čirá.

1. Připojte přívodní hadici jejím zašroubováním ke kohoutku studené vody s hrdlem se závitem 3/4" (viz obrázek). Před připojením hadice nechte vodu odtékat, dokud nebu-



2. Připojte přítokovou hadici k pračce prostřednictvím příslušné přípojky na vodu, umístěné vpravo nahoře (viz obrázek).

3. Dbejte na to, aby hadice nebyla příliš ohnutá ani stlačená.

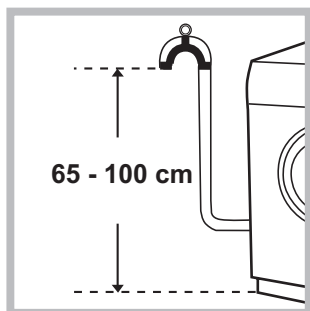
! Tlak v rozvodu vody se musí pohybovat v rozmezí hodnot uvedených v tabulce s technickými údaji (viz vedlejší strana).

! V případě, že délka přítokové hadice nebude dostatečná, obraťte se na specializovanou prodejnu nebo na autorizovaný technický personál.

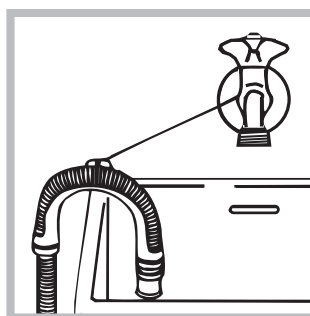
! Nikdy nepoužívejte již použité hadice.

! Používejte hadice z příslušenství zařízení.

Připojení vypouštěcí hadice



Připojte vypouštěcí hadici, aniž byste ji ohýbali, k odpadovému potrubí nebo k odpadu ve stěně, který se nachází od 65 do 100 cm nad zemí;



nebo ji uchyťte k okraji umývadla či vany a připevněte vodící držák z příslušenství ke kohoutu (viz obrázek). Volný konec vypouštěcí hadice nesmí zůstat ponořený do vody.

! Použití prodlužovacích hadic se nedoporučuje; je-li však nezbytné, prodlužovací hadice musí mít stejný průměr jako originální hadice a její délka nesmí přesáhnout 150 cm.

Připojení k elektrické síti

Před zasunutím zástrčky do zásuvky se ujistěte, že:

- Je zásuvka uzemněna a že vyhovuje normám;
- je zásuvka schopna snést maximální zátěž odpovídající jmenovitému příkonu zařízení, uvedenému v tabulce s technickými údaji (viz vedle);
- hodnota napájecího napětí odpovídá údajům uvedeným v tabulce s technickými údaji (viz vedle);
- je zásuvka kompatibilní se zástrčkou pračky. V opačném případě je třeba vyměnit zásuvku nebo zástrčku.

! Pračka nesmí být umístěna venku – pod širým nebem, a to ani v případě, že by se jednalo o místo chráněné před nepřízní počasí, protože je velmi nebezpečné vystavit ji působení deště a bouří.

! Po definitivní instalaci pračky musí zásuvka zůstat snadno přístupná.

! Nepoužívejte prodlužovací kabely a rozvodky.

! Kabel nesmí být ohnutý ani stlačený.

! Výměna kabelu musí být svěřena výhradně autorizovanému technickému personálu.

Upozornění! Výrobce neponese žádnou odpovědnost za následky nerespektování uvedených předpisů.

První prací cyklus

Po instalaci zařízení je třeba ještě předtím, než je použijete na praní prádla, provést jeden zkušební cyklus s pracím prostředkem a bez náplně prádla nastavením pracího programu 2.

Technické údaje

Model	IWB 51251
Rozměry	šířka 59,5 cm výška 85 cm hloubka 51,7 cm
Kapacita	od 1 do 5 kg
Napájení	Viz štítek s technickými údaji, aplikovaný na zařízení.
Připojení k rozvodu vody	maximální tlak 1 MPa (10 bar) minimální tlak 0.05 MPa (0.5 bar) kapacita bubny 46 litrů
Rychlost odstředování	až do 1200 otáček za minutu
Kontrolní programy podle směrníc 1061/2010 a 1015/2010	program 2; standardní program pro bavlnu pro praní při 60°C. program 3; standardní program pro bavlnu pro praní při 40°C.
	Toto zařízení odpovídá následujícím normám Evropské unie: - 2004/108/CE (Elektromagnetická kompatibilita) - 2006/95/CE (Nízké napětí) - 2012/19/EU

Údržba a péče

CZ

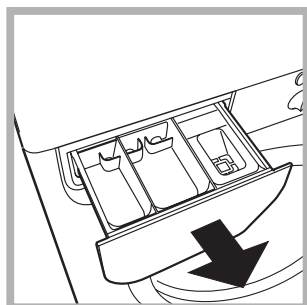
Uzavření přívodu vody a vypnutí elektrického napájení

- Po každém praní uzavřete přívod vody. Tímto způsobem dochází k omezení opotřebení pračky a ke snížení nebezpečí úniku vody.
- Před zahájením čištění pračky a během operací údržby vytáhněte zástrčku napájecího kabelu z elektrické zásuvky.

Čištění pračky

Vnější části a části z gumy se mohou čistit hadrem navlhčeným ve vlažné vodě a saponátu. Nepoužívejte rozpouštědla ani abrazivní látky.

Čištění dávkovače pracích prostředků



Vytáhněte dávkovač jeho nadzvednutím a vytažením směrem ven (viz obrázek). Umyjte jej pod proudem vody; tento druh vyčištění je třeba provádět pravidelně.

Péče o dvířka a buben

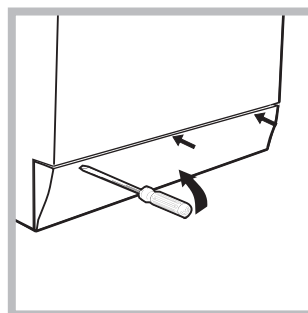
- Dvířka ponechte pokaždé pootevřená, aby se zabránilo tvorbě nepříjemných zápachů.

Čištění čerpadla

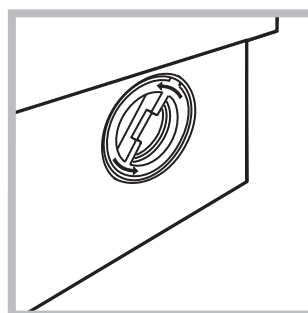
Součástí pračky je samočisticí čerpadlo, které nevyžaduje údržbu. Může se však stát, že se v jeho vstupní části, určené k jeho ochraně a nacházející se v jeho spodní části, zachytí drobné předměty (mince, knoflíky).

! Ujistěte se, že byl prací cyklus ukončen, a vytáhněte zástrčku ze zásuvky.

Přístup ke vstupní části čerpadla:



1. pomocí šroubováku odstraňte krycí panel nacházející se v přední části pračky (viz obrázek);



2. odšroubujte víko jeho otáčením proti směru hodinových ručiček (viz obrázek): vytečení malého množství vody je zcela běžným jevem;

3. dokonale vyčistěte vnitřek;
4. zašroubujte zpět víko;
5. namontujte zpět panel, přičemž se před jeho přisunutím k zařízení ujistěte, že došlo ke správnému zachycení háčků do příslušných podélných otvorů.

Kontrola přítokové hadice na vodu

Stav přítokové hadice je třeba zkontrolovat alespoň jednou ročně. Jsou-li na ní viditelné praskliny nebo trhliny, je třeba ji vyměnit: silný tlak působící na hadici během pracího cyklu by mohl způsobit její náhlé roztržení.

! Nikdy nepoužívejte již použité hadice.

! Pračka byla navržena a vyrobena v souladu s platnými mezinárodními bezpečnostními předpisy. Tato upozornění jsou uváděna z bezpečnostních důvodů a je třeba si je pozorně přečíst.

Základní bezpečnostní pokyny

- Toto zařízení bylo navrženo výhradně pro použití v domácnosti.
- Toto zařízení mohou používat děti od 8 let a osoby se sníženými fyzickými, senzorickými nebo duševními schopnostmi nebo osoby s nedostatečnými zkušenostmi a znalostmi, když se nacházejí pod náležitým dohledem nebo když byly náležitě vyškoleny ohledně bezpečného použití zařízení a uvědomují si související nebezpečí. Děti si nesmí hrát se zařízením. Děti nesmí provádět operace údržby a čištění bez dohledu.
- Pračku mohou používat pouze dospělé osoby podle pokynů uvedených v tomto návodu.
- Nedotýkejte se zařízení bosí nebo v případě, že máte mokré ruce či nohy.
- Nevytahujte zástrčku ze zásuvky tahem za kabel, ale uchopením za zástrčku.
- Neotvírejte dávkovač pracích prostředků během činnosti zařízení.
- Nedotýkejte se odčerpávané vody, protože může mít velmi vysokou teplotu.
- Nepokoušejte se o násilné otevření dvířek: mohlo by dojít k poškození bezpečnostního uzávěru, který zabraňuje náhodnému otevření.
- Při výskytu poruchy se v žádném případě nepokoušejte o opravu vnitřních částí zařízení.
- Vždy mějte pod kontrolou děti a zabraňte tomu, aby se přibližovaly k zařízení během pracího cyklu.
- Během pracího cyklu mají dvířka tendenci ohřát se.
- V případě potřeby přemíst'ujte pračku ve dvou nebo ve třech a věnujte celé operaci maximální pozornost. Nikdy se nepokoušejte zařízení přemíst'ovat sami, je totiž velmi těžké.
- Před zahájením vkládání prádla zkontrolujte, zda je buben prázdný.

Likvidace

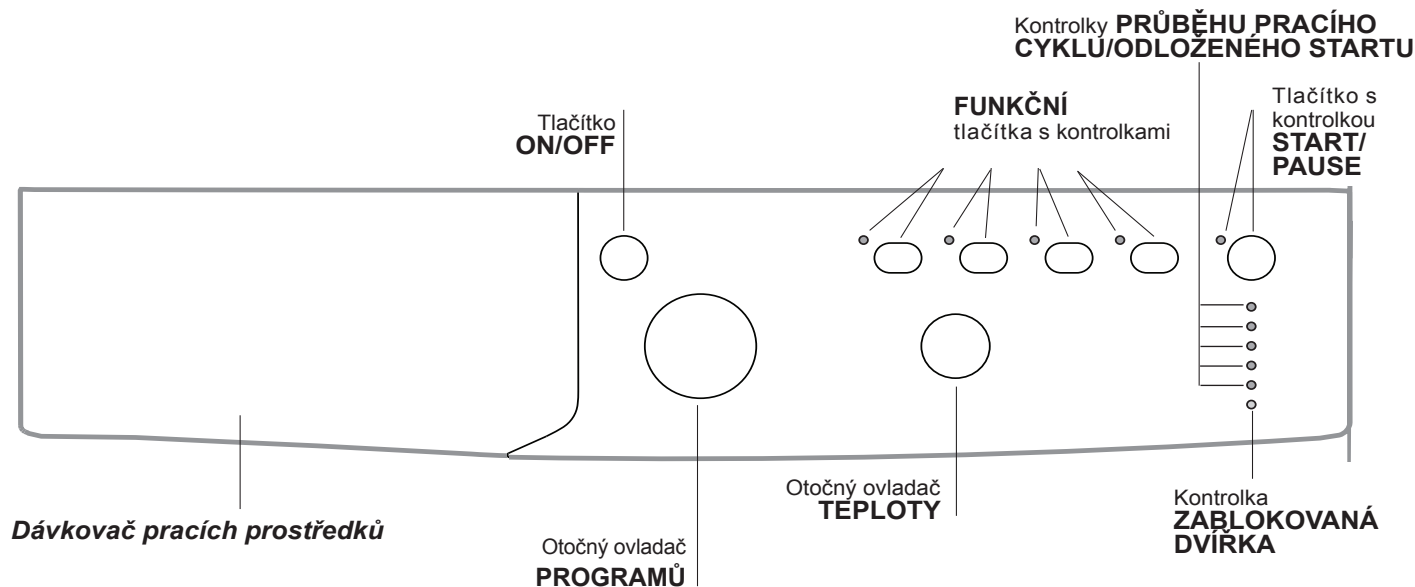
- Likvidace obalových materiálů: při jejich odstranění postupujte v souladu s místními předpisy a dbejte na možnou recyklaci.
- Evropská směrnice 2012/19/EU o odpadních elektrických a elektronických zařízeních stanovuje, že staré domácí elektrické spotřebiče nesmí být odkládány do běžného netříděného domovního odpadu. Staré spotřebiče musí být odevzdány do odděleného sběru, a to za účelem recyklace a optimálního využití materiálů, které obsahují, a z důvodu předcházení negativním dopadům na lidské zdraví a životní prostředí. Symbol "přeškrtnuté popelnice" na výrobku vás upozorňuje na povinnost odevzdat zařízení po

skončení jeho životnosti do odděleného sběru. Spotřebitelé by měli kontaktovat příslušné místní úřady nebo svého prodejce ohledně informací týkajících se správné likvidace starého zařízení.

Popis pračky a zahájení pracího programu

Ovládací panel

CZ



Dávkovač pracích prostředků: slouží k dávkování pracích prostředků a přídatných prostředků (viz „Prací prostředky a prádlo“).

Tlačítko **ON/OFF**: slouží k zapnutí a vypnutí pračky.

Otočný ovladač **PROGRAMŮ**: pro nastavení pracích programů. Během pracího programu zůstane ve stejné poloze.

FUNKČNÍ tlačítka s kontrolkami: slouží k volbě jednotlivých dostupných funkcí. Kontrolka zvolené funkce zůstane rozsvícena.

Otočný ovladač **TEPLoty**: slouží k nastavení teploty praní nebo praní ve studené vodě (viz „Uživatelská nastavení“).

Kontrolky **PRŮBĚHU PRACÍHO CYKLU/ODLOŽENÉHO STARTU**: slouží ke kontrole průběhu pracího programu. Rozsvícená kontrolka poukazuje na probíhající fázi. V případě, že byla nastavena funkce „Odloženého startu“, budou informovat o čase zbývajícím do zahájení pracího programu (viz *vedlejší strana*).

Kontrolka **ZABLOKOVANÁ DVÍŘKA**: informuje o tom, zda je možné otevřít dvířka (viz *vedlejší strana*).

Tlačítko s kontrolkou **START/PAUSE**: Slouží ke spuštění nebo dočasnému přerušení programů.

POZN.: Stisknutí tohoto tlačítka slouží k přerušení probíhajícího praní; příslušná kontrolka bude blikat oranžovým světlem, zatímco kontrolka probíhající fáze zůstane rozsvícena stálým světlem. Když bude kontrolka **ZABLOKOVANÁ DVÍŘKA** zhasnuta, bude možné otevřít dvířka (vyčkejte přibližně 3 minuty). Za účelem opětovného zahájení praní z bodu, ve kterém bylo přerušeno, znovu stiskněte toto tlačítko.

Pohotovostní režim

Za účelem shody s novými předpisy souvisejícími s energetickou úsporou je tato pračka vybavena systémem automatického vypnutí (přechodu do pohotovostního režimu – standby), který je aktivován po uplynutí několika minut, když se pračka nepoužívá. Krátce stiskněte tlačítko ON-OFF a vyčkejte na obnovení činnosti zařízení.

Kontrolky

Kontrolky jsou zdrojem důležitých informací. Informují nás o následujících skutečnostech:

Odložený start

Když byla aktivována funkce „Odloženého startu“ (viz „Uživatelská nastavení“), po zahájení pracího programu začne blikat příslušná kontrolka zvoleného odložení:

3h 

6h 

9h 

12h 

Průběžně bude zobrazován čas zbývající do startu a zobrazování bude prováděno blikáním příslušné kontrolky:

3h 

6h 

9h 

12h 


Po uplynutí zvolené doby odložení dojde k zahájení nastaveného programu.


Kontrolka aktuální fáze pracího programu:

Po zvolení a zahájení požadovaného pracího cyklu dojde k postupnému rozsvícení kontrolky informující o jeho průběhu.

Praní 

Máchání 

Odstředování 

Odčerpání vody 

Ukončení praní 

Funkční tlačítka a příslušné kontrolky

Po zvolení konkrétní funkce dojde k rozsvícení příslušné kontrolky.


V případě, že zvolená funkce není kompatibilní s nastaveným pracím programem, příslušná kontrolka začne blikat a funkce nebude aktivována.

V případě, že zvolená funkce není kompatibilní s jinou předem zvolenou funkcí, kontrolka první funkce bude blikat a bude aktivována pouze druhá, přičemž kontrolka zvolené funkce se rozsvítí stálým světlem.

Kontrolka zablokovaných dvířek

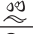

Rozsvícení této kontrolky poukazuje na to, že dvířka jsou zajištěna kvůli zamezení náhodnému otevření; aby se zabránilo poškození dvířek, před jejich otevřením je třeba vyčkat, dokud uvedená kontrolka nezhasne; (vyčkejte přibližně 3 minuty). Za účelem otevření dvířek v průběhu pracího cyklu stiskněte tlačítko START/PAUSE; když bude kontrolka ZABLOKOVANÁ DVÍŘKA zhasnutá, bude možné otevřít dvířka.

Zahájení pracího programu

1. Zapněte pračku stisknutím tlačítka ON/OFF. Všechny kontrolky se rozsvítí na několik sekund, poté se zhasnou a bude blikat kontrolka START/PAUSE.
2. Naplňte pračku a zavřete dvířka.
3. Otočným ovladačem PROGRAMŮ nastavte požadovaný prací program.
4. Nastavte teplotu praní (viz „Uživatelská nastavení“).
5. Nadávkujte prací prostředek a přídatné prostředky (viz „Prací prostředky a prádlo“).
6. Zvolte požadované funkce.
7. Zahajte prací program stisknutím tlačítka START/PAUSE a příslušná kontrolka zůstane rozsvícena stálým světlem zelené barvy. Zrušení nastaveného pracího cyklu se provádí přerušením činnosti zařízení stisknutím tlačítka START/PATA a volbou nového cyklu.
8. Po ukončení pracího programu se rozsvítí kontrolka END. Po zhasnutí kontrolky ZABLOKOVANÁ DVÍŘKA  bude možné otevřít dvířka (vyčkejte přibližně 3 minuty). Vytáhněte prádlo a nechte dvířka pootevřená, aby bylo umožněno vysušení bubnu. Vypněte pračku stisknutím tlačítka ON/OFF.

Prací programy

Tabulka pracích programů

Programy	Popis programu	Max. teplota (°C)	Max. rychlost (otáčky za minutu)	Prací prostředky			Max. náplň (kg)	Zbytková vlhkost %	Spotřeba energie kWh	Celkové množství vody lt	Cycle duration
				Předpraní	Praní	Aviváž					
Programy pro každodenní praní (Daily)											
1	BAVLNA + PŘEDPRANÍ: mimořádně znečištěné bílé prádlo.	90°	1200	●	●	●	5	53	1,90	68	155'
2	Standardní program pro bavlnu pro praní při 60 °C (1): silně znečištěné bílé a barevné prádlo z odolných tkanin.	60° (Max. 90°)	1200	-	●	●	5	53	0,85	47,2	165'
3	Standardní program pro bavlnu pro praní při 40 °C (2): silně znečištěné bílé a barevné choulostivé prádlo.	40°	1200	-	●	●	5	53	0,83	49	155'
4	Syntetika: velmi znečištěné barevné prádlo z odolných tkanin.	60°	800	-	●	●	3	44	0,78	33	105'
4	Syntetika (3): částečně znečištěné barevné prádlo z odolných tkanin.	40°	800	-	●	●	3	44	0,49	38	95'
5	Barevná bavlna: málo znečištěné bílé a barevné choulostivé prádlo.	40°	1200	-	●	●	5	53	0,86	56	95'
20° Zone											
6	Standardní program pro bavlnu pro praní při 20°C: silně znečištěné bílé a barevné choulostivé prádlo.	20°	1200	-	●	●	5	-	-	-	170'
7	Mix Light	20°	800	-	●	●	5	-	-	-	120'
8	20' Refresh	20°	800	-	●	●	1,5	-	-	-	20'
Speciální programy (Special)											
9	HEDVÁBÍ/ZÁCLONY: pro prádlo z hedvábí, viskózy, spodní prádlo.	30°	0	-	●	●	1	-	-	-	55'
10	Vlna: pro vlnu, kašmír atd.	40°	800	-	●	●	1,5	-	-	-	70'
11	Jeans	40°	800	-	●	●	3	-	-	-	75'
Sport											
12	Sport Intensive	30°	600	-	●	●	3	-	-	-	85'
13	Sport Light	30°	600	-	●	●	3	-	-	-	60'
14	Sport Shoes	30°	600	-	●	●	Max. 2 páry.	-	-	-	55'
Díčí programy											
	 Máchání	-	1200	-	-	●	5	-	-	-	36'
	 Odstředování + Odčerpání vody	-	1200	-	-	-	5	-	-	-	10'

Doba trvání cyklu uvedená na displeji nebo v návodu představuje odhad vypočítaný na základě standardních podmínek. Skutečná doba se může měnit v závislosti na četných faktorech, jako je např. teplota a tlak vody na vstupu, teplota prostředí, množství pracího prostředku, množství a druh náplně, vyvážení náplně a zvolené volitelné funkce.

1) Kontrolní program podle normy 1061/2010: nastavte program 2 s teplotou 60°C.

Tento cyklus je vhodný pro praní běžně znečištěné bavlny a jedná se o neúčinnější cyklus z hlediska kombinované spotřeby energie a vody určený pro prádlo, které lze prát při teplotě do 60 °C. Skutečná teplota praní se může lišit od uvedené.

2) Kontrolní program podle normy 1061/2010: nastavte program 3 s teplotou 40°C.

Tento cyklus je vhodný pro praní běžně znečištěné bavlny a jedná se o neúčinnější cyklus z hlediska kombinované spotřeby energie a vody určený pro prádlo, které lze prát při teplotě do 40°C. Skutečná teplota praní se může lišit od uvedené.

Pro všechny Kontrolní ústavy:

2) Dlouhý program na praní bavlny: nastavte program 3 s teplotou 40°C.

3) Syntetický program spolu: nastavte program 4 s teplotou 40°C.

Sport Intensive (program 12) byl navržen pro velmi znečištěné látky sportovního oblečení (teplákové soupravy, šortky apod.); pro dosažení optimálních výsledků se doporučuje nepřekračovat maximální náplň uvedenou v "Tabulka pracích programů".

Sport Light (program 13) byl navržen pro mírně znečištěné látky sportovního oblečení (teplákové soupravy, šortky apod.); pro dosažení optimálních výsledků se doporučuje nepřekračovat maximální náplň uvedenou v "Tabulka pracích programů".

Doporučuje se použít tekuté prací prostředky a použít dávku vhodnou pro poloviční náplň.

Sport Shoes (program 14) byl navržen pro praní sportovní obuvi; pro dosažení optimálních výsledků neperte více než 2 páry najednou.

Programy 20° (20° Zone) nabízejí dobrou výkonnost praní při nízkých teplotách, přičemž umožňují nižší použití elektrické energie s výhodami pro finanční úsporu i pro životní prostředí. Programy 20° vyhovují všem požadavkům:

Standardní program pro bavlnu pro praní při 20°C (program 6) ideální pro náplně ze znečištěné bavlny. Dobrá výkonnost i za studena, srovnatelná s praním při 40 °C, je zaručena mechanickým působením, které je založeno na změně rychlosti v krátkých nebo dlouhých intervalech.

Mix Light (program 7) ideální pro smíšené náplně (bavlna a syntetika), tvořené středně znečištěným prádlem. Dobrá výkonnost praní i za studena je zaručena mechanickým působením, které je založeno na změně rychlosti ve středních nebo určených intervalech.

20' Refresh (program 8) osvěžení ideální cyklus pro osvěžení a praní mírně znečištěného prádla v průběhu pár minut. Trvá pouze 20 minut a šetří tak čas i energii. Umožňuje prát dohromady tkaniny různého druhu (s výjimkou vlny a hedvábí) při náplni nepřesahující 1,5 kg.

Nastavení teploty

Otáčením otočného ovladače TEPLOTY se nastavuje teplota praní (viz *Tabulka programů*).

Teplota může být postupně snižována až po praní ve studené vodě (❄).

Zařízení automaticky zabrání nastavení vyšší teploty, než je maximální teplota pro každý prací program.

! Výjimka: při volbě programu **2** bude možné zvýšit teplotu až na 90°C.

Funkce

Jednotlivé funkce, kterými pračka disponuje, umožňují dosáhnout požadovaného stupně čistoty a bělosti praného prádla.

Způsob aktivace jednotlivých funkcí:

1. stiskněte příslušné tlačítko požadované funkce;
2. rozsvícení příslušné kontrolky signalizuje, že došlo k aktivaci zvolené funkce.

Poznámka:

- V případě, že zvolená funkce není kompatibilní s nastaveným pracím programem, příslušná kontrolka začne blikat a funkce nebude aktivována.
- V případě, že zvolená funkce není kompatibilní s jinou předem zvolenou funkcí, kontrolka první funkce bude blikat a bude aktivována pouze druhá, přičemž kontrolka zvolené funkce se rozsvítí stálým světlem.

EcoTime

Volbou této volitelné funkce se bude mechanický pohon, teplota a voda optimalizovat pro sníženou náplň mírně znečištěné bavlny a syntetických materiálů "*Tabulka pracích programů*". Při použití "EcoTime" můžete pracovat s kratšími dobami a ušetřit vodu a energii. Doporučuje se používat dávku tekutého pracího prostředku vhodnou pro naplněné množství.

Energy Savēr

Funkce ^{Energy Savēr} přispívá k energetické úspoře tím, že neohřívá vodu použitou pro praní prádla – jedná se o výhodu pro životní prostředí i pro účet za elektrickou energii. Zesílený účinek a optimalizovaná spotřeba vody vskutku zaručují optimální výsledky během stejné průměrné doby odpovídající standardnímu cyklu. Pro dosažení lepších výsledků praní se doporučuje použít tekutý prací prostředek.



Slouží ke snížení rychlosti odstředování.

Odložený start

Slouží k odložení zahájení pracího cyklu až o 12 hodin.

Opakovaně stiskněte tlačítko až do rozsvícení kontrolky označující požadovanou dobu odložení. Po pátém stisknutí tlačítka dojde k vyloučení uvedené funkce.

POZN.: Po stisknutí tlačítka START/PAUSE je možné změnit hodnotu odložení pouze ve smyslu jejího snížení, a to až do zahájení nastaveného programu.

Prací prostředky a prádlo

CZ

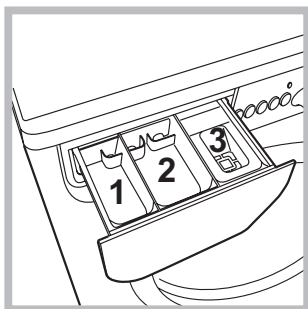
Dávkovač pracích prostředků

Dobry výsledek praní závisí také na správném dávkování pracího prostředku: použití jeho nadměrného množství snižuje efektivitu praní a napomáhá tvorbě vodního kamene na vnitřních částech pračky a zvyšuje znečištění životního prostředí.

! Nepoužívejte prací prostředky určené pro ruční praní, protože způsobují tvorbu nadměrného množství pěny.

! Pro předpírku a praní při teplotě vyšší než 60 °C použijte práškové prací prostředky pro bílé bavlněné prádlo.

! Dodržujte pokyny uvedené na obalu pracího prostředku.



Při vytahování dávkovače pracích prostředků a při jeho plnění pracími nebo přídatnými prostředky postupujte následovně.

příhrádka 1: Prací prostředek (práškový) pro předpírku.

příhrádka 2: Prací prostředek (práškový anebo tekutý) pro praní

Tekutý prací prostředek se nalévá pouze těsně před uvedením do chodu.

příhrádka 3: Přídatné prostředky (aviváž, atd.)

Aviváž nesmí vytékat z mřížky.

Příprava prádla

- Roztřídte prádlo podle:
 - druhu tkaniny / symbolu na visačce.
 - barvy: oddělte barevné prádlo od bílého.
- Vyprázdněte kapsy a zkontrolujte knoflíky.
- Nepřekračujte hodnoty povolené náplně, uvedené v „Tabulka pracích programů“, vztahující se na hmotnost suchého prádla.


Kolik váží prádlo?

- 1 prostěradlo 400-500 g
- 1 povlak na polštář 150-200 g
- 1 ubrus 400-500 g
- 1 župan 900-1.200 g
- 1 ručník 150-250 g

Oděvy vyžadující zvláštní péči

Hedvábí: použijte příslušný program **9** pro praní všeho prádla z hedvábí. Doporučujeme použití pracího prostředku pro choulostivé prádlo.

Záclony: přehnout je a uložit dovnitř povlaku na polštář anebo do sáčku ze síťoviny. Použijte program **9**.

Vlna: S programem **10** je možné prát v pračce všechny druhy vlněného prádla, také ty, které jsou označeny visačkou „prát pouze v ruce“ . Pro dosažení optimálních výsledků použijte specifický prací prostředek a nepřekračujte 1,5 kg prádla.

Jeans: převratte prádlo naruby a použijte tekutý prací prostředek. Použijte program **11**.

System automatického vyvážení náplně

Před každým odstředováním buben provede otáčení rychlostí lehce převyšující rychlost praní, aby se odstranily vibrace a aby se náplň rovnoměrně rozložila. V případě, že po několikanásobných pokusech o vyvážení prádlo ještě nebude správně vyváženo, zařízení provede odstředování nižší rychlostí, než je přednastavená rychlost. Za přítomnosti nadměrného nevyvážení pračka provede namísto odstředování vyvážení. Za účelem dosažení rovnoměrnějšího rozložení náplně a jejího správného vyvážení se doporučuje míchat velké a malé kusy prádla.

Může se stát, že pračka nebude fungovat. Dříve, než zatelefonujete na Servisní službu (viz „*Servisní služba*“), zkontrolujte, zda se nejedná o problém, který lze snadno vyřešit s pomocí následujícího seznamu.

Poruchy:

Možné příčiny / Způsob jejich odstranění:

Pračku nelze zapnout.

- Zástrčka není zasunuta v zásuvce nebo není zasunuta natolik, aby došlo ke spojení kontaktů.
- V celém domě je vypnutý proud.

Nedochází k zahájení pracího cyklu.

- Nejsou řádně zavřená dvířka.
- Nebylo stisknuto tlačítko ON/OFF.
- Nebylo stisknuto tlačítko START/PAUSE.
- Nebyl otevřen kohout přívodu vody.
- Byl nastaven odložený start (viz „*Uživatelská nastavení*“).

Pračka nenapouští vodu (rychle bliká kontrolka první fáze praní).

- Přívodní hadice není připojena k vodovodnímu kohoutu.
- Hadice je příliš ohnutá.
- Nebyl otevřen kohout přívodu vody.
- V celém domě je uzavřený přívod vody.
- V rozvodu vody není dostatečný tlak.
- Nebylo stisknuto tlačítko START/PAUSE.

Dochází k nepřetržitému napouštění a odčerpávání vody.

- Vypouštěcí hadice se nachází mimo určené rozmezí od 65 do 100 cm nad zemí (viz „*Instalace*“).
 - Koncová část vypouštěcí hadice je ponořena ve vodě (viz „*Instalace*“).
 - Odpad ve stěně není vybaven odvzdušňovacím otvorem.
- Když ani po uvedených kontrolách nedojde k odstranění problému, uzavřete přívod vody, vypněte pračku a přivolejte Servisní službu. V případě, že se byt nachází na jednom z nejvyšších poschodí, je možné, že dochází k sifonovému efektu, jehož následkem pračka nepřetržitě napouští a odčerpává vodu. Pro odstranění uvedeného efektu jsou v prodeji běžně dostupné speciální protisifonové ventily.

Nedochází k vyčerpání vody nebo k odstředování.

- Odčerpání vody netvoří součást nastaveného programu: u některých programů je třeba jej aktivovat manuálně.
- Vypouštěcí hadice je ohnutá (viz „*Instalace*“).
- Odpadové potrubí je ucpáno.

Během odstředování je možné pozorovat silné vibrace pračky.

- Během instalace nebyl buben odjištěn předepsaným způsobem (viz „*Instalace*“).
- Pračka není dokonale vyrovnaná do vodorovné polohy (viz „*Instalace*“).
- Pračka je stlačena mezi nábytkem a stěnou (viz „*Instalace*“).

Dochází k úniku vody z pračky.

- Přítoková hadice není správně zašroubována (viz „*Instalace*“).
- Dávkovač pracích prostředků je ucpán (způsob jeho vyčištění je uveden v části „*Údržba a péče*“).
- Vypouštěcí hadice není upevněna předepsaným způsobem (viz „*Instalace*“).

Kontrolky „volitelné funkce“ a kontrolka „START/PAUSE“ blikají a jedna z kontrolek „probíhající fáze“ a „zablokovaná dvířka“ se rozsvítí stálým světlem.

- Vypněte zařízení a vytáhněte zástrčku ze zásuvky, vyčkejte přibližně 1 minutu a opětovně jej zapněte.
- Když porucha přetrvává, obraťte se na Servisní službu.

Dochází k tvorbě nadměrného množství pěny.

- Použitý prací prostředek není vhodný pro použití v automatické pračce (musí obsahovat označení „pro praní v pračce“, „pro ruční praní nebo pro praní v pračce“ nebo podobné označení).
- Bylo použito jeho nadměrné množství.

Servisní služba

CZ

Před přivoláním Servisní služby:

- Zkontrolujte, zda nejste schopni poruchu odstranit sami (viz „Poruchy a způsob jejich odstranění“);
- Opětovně uveďte do chodu prací program, abyste ověřili, zda byla porucha odstraněna;
- V opačném případě se obraťte na Centrum servisní služby na telefonním čísle uvedeném na záručním listu.

! Nikdy se neobracejte s žádostí o pomoc na techniky, kteří nejsou k výkonu této činnosti oprávněni.

Při hlášení poruchy uveďte:

- druh poruchy;
- model zařízení (Mod.);
- výrobní číslo (S/N).

Tyto informace jsou uvedeny na štítku aplikovaném na zadní části pračky a v její přední části, dostupné po otevření dvířek.

NAŘÍZENÍ KOMISE V PŘENESENÉ PRÁVOMOCI (EU) č. 1061/2010

NAŘÍZENÍ KOMISE V PŘENESENÉ PRÁVOMOCI (EU) č. 1061/2010	
Značka	INDESIT
Model	IWB 51251 C ECO EU
Jmenovitá kapacita bavlněné látky v kg	5
Třída energetické účinnosti na stupnici A+++ (nejnižší spotřeba) až G (vysoká spotřeba)	A+
Roční spotřeba energie v kWh ¹⁾	169
Spotřeba energie standardního programu pro bavlnu pro praní při 60 °C s celou náplní v kWh ²⁾	0.852
Spotřeba energie standardního programu pro bavlnu pro praní při 60 °C s poloviční náplní v kWh ²⁾	0.673
Spotřeba energie standardního programu pro bavlnu pro praní při 40 °C s poloviční náplní v kWh ²⁾	0.592
Vážená spotřeba energie ve vypnutém stavu ve W	0,5
Vážená spotřeba energie v režimu ponechání v zapnutém stavu ve W	8
Roční spotřeba vody v litrech ³⁾	7800
Třída účinnosti sušení odšťedáváním na stupnici od G (nejmenší účinnost) do A (nejvyšší účinnost)	B
Maximální otáčky při odšťedávání ⁴⁾	1200
Zbytkový obsah vlhkosti v % ⁵⁾	53.0%
Trvání „standardního programu pro bavlnu pro praní při 60 °C“ s celou náplní v minutách.	165
Trvání „standardního programu pro bavlnu pro praní při 60 °C“ s poloviční náplní v minutách.	135
Trvání „standardního programu pro bavlnu pro praní při 40 °C“ s poloviční náplní v minutách.	130
Trvání režimu ponechání v zapnutém stavu v minutách	30
Emise hluku v dB(A) re 1 pW během praní ⁶⁾	62
Emise hluku v dB(A) re 1 pW během odšťedávání ⁶⁾	80
Vestavný spotřebič	

¹⁾ „Standardní program pro bavlnu pro praní při 60 °C“ s celou náplní a poloviční náplní a standardní program pro bavlnu pro praní při 40 °C s poloviční náplní jsou standardní prací programy, na které se vztahují informace uvedené na energetickém štítku a v informačním listu. Tyto programy jsou vhodné pro praní běžně znečištěného bavlněného prádla a jedná se o neúčinnější programy z hlediska kombinované spotřeby energie a vody.

²⁾ Na základě 220 standardních pracích cyklů s programy pro bavlnu pro praní při 60 °C a 40 °C s celou a poloviční náplní a spotřeba v režimech s nízkou spotřebou energie. Skutečná spotřeba energie bude záviset na tom, jak je spotřebič používán.

³⁾ Na základě 220 standardních pracích cyklů s programy pro bavlnu pro praní při 60 °C a 40 °C s celou a poloviční náplní. Skutečná spotřeba vody bude záviset na tom, jak je spotřebič používán.

⁴⁾ U standardního programu pro bavlnu pro praní při 60 °C s celou náplní nebo u standardního programu pro bavlnu pro praní při 40 °C s poloviční náplní podle toho, která hodnota je menší.

⁵⁾ U standardního programu pro bavlnu pro praní při 60 °C s celou náplní nebo u standardního programu pro bavlnu pro praní při 40 °C s poloviční náplní podle toho, která hodnota je větší.

⁶⁾ Během fáze praní a odšťedávání u standardního programu pro bavlnu pro praní při 60 °C s celou náplní.

SK

Slovensky

IWB 51251

Obsah

Inštalácia, 50-51

Rozbalenie a vyrovnanie do vodorovnej polohy
Pripojenie k elektrickej a k vodovodnej sieti
Prvý prací cyklus
Technické údaje

Údržba a starostlivosť, 52

Uzavretie prívodu vody a vypnutie elektrického napájania
Čistenie práčky
Čistenie dávkovača pracích prostriedkov
Starostlivosť o dvierka a bubon
Čistenie čerpadla
Skontrolujte prítokovú hadicu vodu

Opatrenia a rady, 53

Základné bezpečnostné pokyny
Likvidácia

Popis práčky a zahájenie pracieho programu, 54-55

Ovládací panel
Kontrolky
Zahájenie pracieho programu

Pracie programy, 56

Tabuľka pracích programov

Užívateľské nastavenia, 57

Nastavenie teploty
Funkcie

Pracie prostriedky a prádlo, 58

Dávkovač pracích prostriedkov
Príprava prádla
Prádlo vyžadujúce osobitnú starostlivosť
Systém automatického vyváženia náplne

Poruchy a spôsob ich odstránenia, 59

Servisná služba, 60

Inštalácia

SK

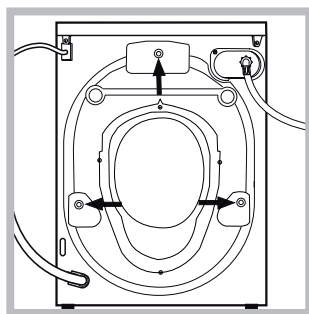
! Je veľmi dôležité uschovať tento návod kvôli prípadnému ďalšiemu použitiu. V prípade predaja, darovania alebo presťahovania práčky sa uistite, že zostane uložený v jej blízkosti, aby mohol poslúžiť novému majiteľovi pri oboznámení sa s činnosťou a s príslušnými upozoreniami.

! Pozorne si prečítajte uvedené pokyny: obsahujú dôležité informácie, týkajúce sa inštalácie, použitia a bezpečnosti pri práci.

Rozbalenie a vyrovnanie do vodorovnej polohy

Rozbalenie

1. Rozbaľte práčku.
2. Skontrolujte, či počas prepravy nedošlo k jej poškodeniu. V prípade, že je poškodená, nezapájajte ju a obráťte sa na predajcu.



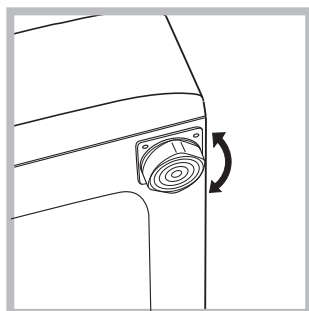
3. Odstráňte 3 skrutky slúžiace na ochranu počas prepravy a gumovú podložku s príslušným dištančným členom, ktoré sa nachádzajú v zadnej časti (vid' obrázok).

4. Uzatvorte otvory po skrutkách plastovými krytkami z príslušenstva.
5. Uschovajte všetky diely: v prípade opätovnej prepravy práčky ich bude potrebné opätovne namontovať.

! Obaly nie sú hračky pre deti!

Vyrovnanie do vodorovnej polohy

1. Práčku je potrebné umiestniť na rovnú a pevnú podlahu tak, aby nebola opretá o stenu, nábytok alebo o niečo iné.

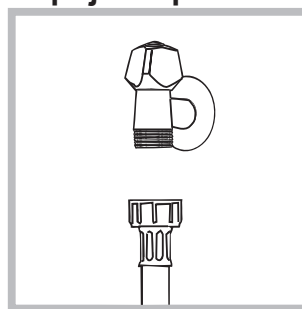


2. V prípade, že podlaha nie je dokonale vodorovná, môžu byť prípadné rozdiely vykompenzované skrútkovaním predných nožičiek (vid' obrázok); Uhol sklonu, nameraný na pracovnej ploche, nesmie presiahnuť 2°.

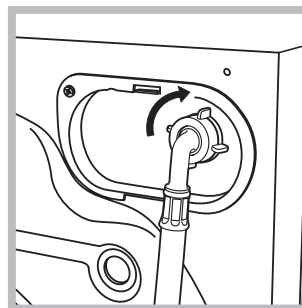
Dokonalé vyrovnanie do vodorovnej polohy zabezpečí stabilitu zariadenia a zamedzí vzniku vibrácií a hluku počas činnosti. V prípade inštalácie na podlahovú krytinu alebo na koberec, nastavte nožičky tak, aby pod práčkou zostal dostatočný voľný priestor na ventiláciu.

Pripojenie k elektrickej a k vodovodnej sieti

Pripojenie prítokovej hadice vody



1. Pripojte prívodnú hadicu jej zaskrutkovaním ku kohútiku so studenou vodou s hrdlom so závitom 3/4" (vid' obrázok). Pred pripojením hadice nechajte vodu odtiecť, až kým nebude číra.



2. Pripojte prítokovú hadicu k práčke, jej zaskrutkovaním k príslušnej prípojke na vodu, umiestnenej vpravo hore (vid' obrázok).

3. Zabezpečte, aby hadica nebola príliš ohnutá alebo stlačená.

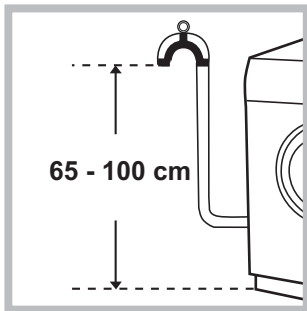
! Tlak v rozvode vody sa musí pohybovať v rozmedzí hodnôt uvedených v tabuľke s technickými údajmi (vid' vedľajšia strana).

! V prípade, že dĺžka prítokovej hadice nebude dostatočná, obráťte sa na špecializovanú predajňu alebo na autorizovaný technický personál.

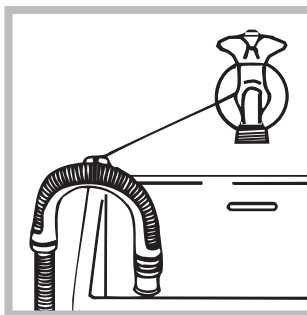
! Nikdy nepoužívajte už použité hadice.

! Používajte hadice z príslušenstva zariadenia.

Pripojenie vypúšťacej hadice



Pripojte vypúšťaciu hadicu, bez toho aby ste ju ohli, k odpadovému potrubiu alebo k odpadu v stene, ktorý sa nachádza od 65 do 100 cm nad zemou;



alebo ju uchytíte k okraju umývadla či vane, a pripevníte vodiaci držiak z príslušenstva ku kohútu (vid' obrázok). Voľný koniec vypúšťacej hadice nesmie zostať ponorený do vody.

! Použitie predlžovacích hadíc sa neodporúča; ak je však nevyhnutné, predlžovacia hadica musí mať rovnaký priemer ako originálna hadica a jej dĺžka nesmie presiahnuť 150 cm.

Pripojenie k elektrickej sieti

Pred zasunutím zástrčky do zásuvky sa uistite, že:

- zásuvka je uzemnená a že vyhovuje normám;
- zásuvka je schopná uniesť maximálnu záťaž odpovedajúcu menovitému príkonu zariadenia, uvedenému v tabuľke s technickými údajmi (vid' vedľa);
- hodnota napájacieho napätia odpovedá údajom uvedeným v tabuľke s technickými údajmi (vid' vedľa);
- zásuvka je kompatibilná so zástrčkou práčky. V opačnom prípade je potrebné vymeniť zásuvku alebo zástrčku.

! Práčka nesmie byť umiestnená vonku – pod holým nebom, a to ani v prípade, keby sa jednalo o miesto chránené pred nepriazňou počasia, pretože je veľmi nebezpečné vystaviť ju dažďu a búrkam.

! Po ukončení inštalácie musí zásuvka zostať ľahko prístupná.

! Nepoužívajte predlžovacie káble a rozvodky.

! Kábel nesmie byť ohnutý alebo pritlačený.

! Výmena kábla musí byť zverená výhradne autorizovanému technickému personálu.

Upozornenie! Výrobca neponesie žiadnu zodpovednosť za následky spôsobené nerešpektovaním týchto pokynov.

Prvý prací cyklus

Po inštalácii zariadenia je potrebné ešte pred jeho použitím vykonať jeden skúšobný cyklus s prácim prostriedkom a bez náplne prádla, nastavením pracieho programu 2.

Technické údaje	
Model	IWB 51251
Rozmery	šírka 59,5 cm výška 85 cm hĺbka 51,7 cm
Kapacita	od 1 do 5 kg
Elektrické zapojení	Vid' štítok s technickými údajmi, aplikovaný na zariadení.
Pripojenie k rozvodu vody	maximálny tlak 1 MPa (10 bar) maximálny tlak 0,05 MPa (0.5 bar) kapacita bubna 46 litrov
Rýchlost odstredovania	Až do 1200 otáčok za minútu
Kontrolné programy podľa smerníc 1061/2010 a 1015/2010	Program 2: štandardný program pre bavlnu pri 60°C. Program 3: štandardný program pre bavlnu pri 40°C.
 	Toto zariadenie je v zhode s nasledujúcimi smernicami Európskej únie: - 2004/108/CE (Elektromagnetická kompatibilita) - 2006/95/CE (Nízke napätie) - 2012/19/EU

Údržba a starostlivosť

SK

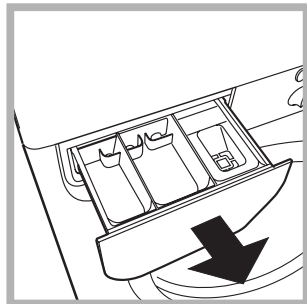
Uzavretie prívodu vody a vypnutie elektrického napájania

- Po každom praní uzatvorte prívod vody. Týmto spôsobom sa znižuje opotrebenie rozvodu vody zariadenia a znižuje sa nebezpečenstvo úniku vody.
- Pred zahájením čistenia práčky a počas údržby je potrebné vytiahnuť zástrčku prívodného kábla zo zásuvky.

Čistenie práčky

Vonkajšie časti a časti z gumy môžu byť čistené utierkou navlhčenou vo vlažnej vode a saponáte. Nepoužívajte rozpúšťadlá alebo abrazívne prostriedky.

Čistenie dávkovača pracích prostriedkov



Vytiahnite dávkovač jeho nadvihnutím a vytiahnutím smerom von (vid' obrázok). Dávkovač umyte pod prúdom vody; toto čistenie je potrebné vykonávať pravidelne.

Starostlivosť o dvierka a bubon

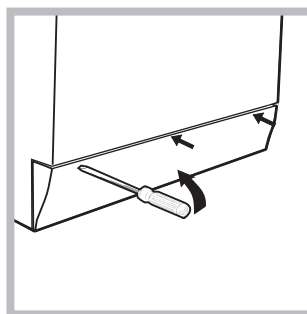
- Dvierka ponechajte zakaždým pootvorené, aby sa zabránilo tvorbe nepríjemných zápachov.

Čistenie čerpadla

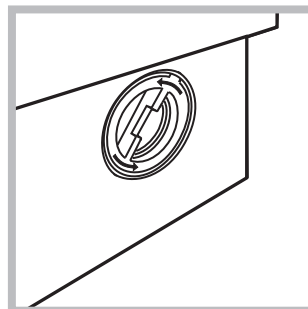
Súčasťou práčky je samočistiace čerpadlo, ktoré nevyžaduje údržbu. Môže sa však stať, že sa v jeho vstupnej ochrannej časti, nachádzajúcej na spodku, zachytia drobné predmety (mince, gombíky).

! Uistite sa, že prací cyklus bol ukončený a vytiahnite zástrčku zo zásuvky.

Prístup k vstupnej časti čerpadla:



1. pomocou skrutkovača odstráňte krycí panel, nachádzajúci sa v prednej časti práčky (vid' obrázok);



2. odskrutkujte veko otáčaním proti smeru hodinových ručičiek (vid' obrázok): vytečenie malého množstva vody je úplne bežným javom;

3. dokonale vyčistite vnútro;
4. nasadte naspäť veko;
5. namontujte naspäť krycí panel, pričom sa pred jeho prisunutím k práčke uistite, že došlo k správnej zachyteniu háčikov do príslušných otvorov.

Skontrolujte prítokovú hadicu vodu

Stav prítokovej hadice je potrebné skontrolovať aspoň raz ročne. Ak sú na nej viditeľné praskliny alebo trhliny, je potrebné ju vymeniť: silný tlak v hadici počas pracieho cyklu by mohol spôsobiť jej náhle roztrhnutie.

! Nikdy nepoužívajte už použité hadice.

! Práčka bola navrhnutá a vyrobená v súlade s platnými medzinárodnými bezpečnostnými predpismi. Tieto upozornenia sú uvádzané z bezpečnostných dôvodov a je potrebné si ich pozorne prečítať.

Základné bezpečnostné pokyny

- Toto zariadenie bolo navrhnuté výhradne na použitie ako spotrebič.
- Toto zariadenie smú používať deti od 8 rokov, osoby náležite vyškolené ohľadne bezpečného použitia zariadenia, ktoré si uvedomujú súvisiace nebezpečenstvo a v prípade dozoru aj osoby so zníženými fyzickými, senzorickými alebo duševnými schopnosťami alebo osoby s nedostatočnými skúsenosťami a znalosťami. Deti sa so zariadením nesmú hrať. Operácie údržby a čistenia nesmú vykonávať deti bez dohľadu.
- Nedotýkajte sa zariadenia bosí, alebo v prípade, keď máte mokré ruky alebo nohy.
- Nevyťahujte zástrčku zo zásuvky ťahaním za kábel, ale uchopením za zástrčku.
- Neotvárajte dávkovač pracích prostriedkov počas činnosti zariadenia.
- Nedotýkajte sa odčerpávanej vody, pretože môže mať veľmi vysokú teplotu.
- V žiadnom prípade sa nepokúšajte o násilné otvorenie dvierok: mohlo by dôjsť k poškodeniu bezpečnostného uzáveru, ktorý zabraňuje náhodnému otvoreniu.
- Pri výskyte poruchy sa v žiadnom prípade nepokúšajte o opravu vnútorných častí zariadenia.
- Vždy majte pod kontrolou deti a zabráňte tomu, aby sa približovali k zariadeniu počas pracieho cyklu.
- Počas pracieho cyklu majú dvierka tendenciu zohrievať sa.
- Ak je potrebné ju presunúť, je dobré poveriť dve alebo tri osoby a vykonať to s maximálnou pozornosťou. Nikdy sa nepokúšajte zariadenie premiestňovať sami, pretože je veľmi ťažké.
- Pred zahájením vkladania prádla skontrolujte, či je bubon prázdny.

Likvidácia

- Likvidácia obalových materiálov: pri ich odstránení postupujte v súlade s miestnymi predpismi a dbajte na možnú recykláciu.
- Európska smernica 2012/19/EU o odpadových elektrických a elektronických zariadeniach stanovuje, že staré domáce elektrické spotrebiče nesmú byť odkladané do bežného netriedeného domového odpadu. Staré spotrebiče musia byť odovzdané do oddeleného zberu a to za účelom recyklácie a optimálneho využitia materiálov, ktoré obsahujú, z dôvodu prevencie negatívneho dopadu na ľudské zdravie a životné prostredie.

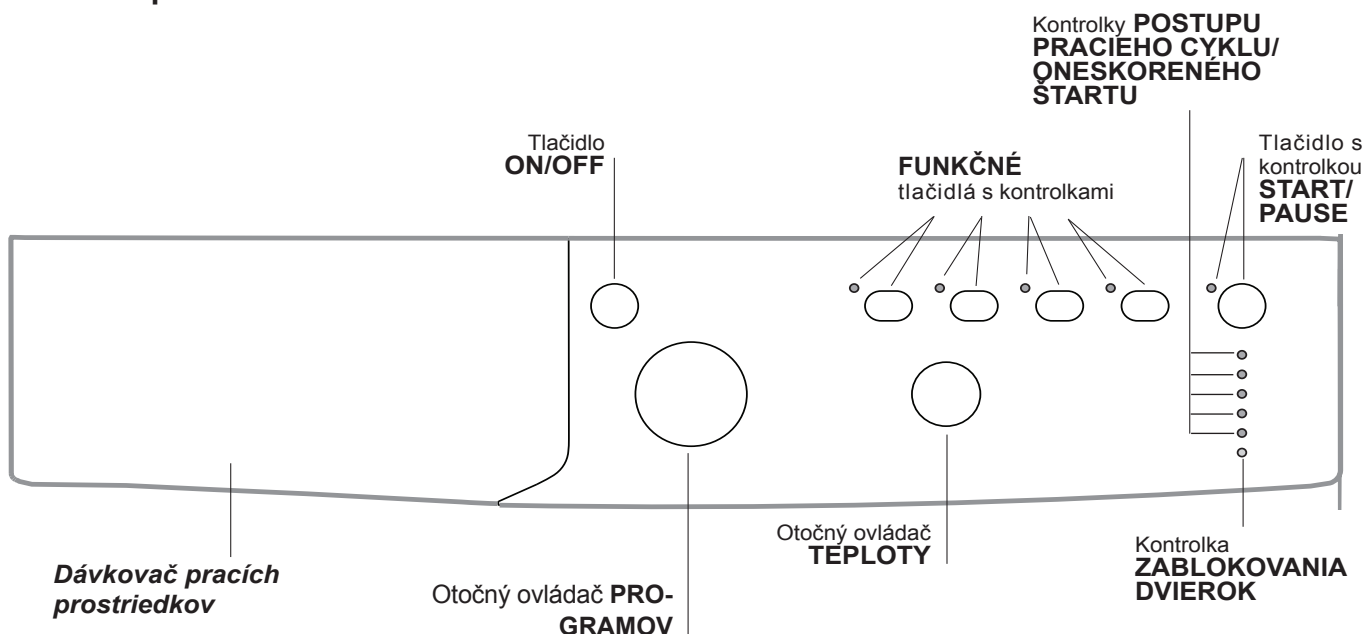
Symbol “prečiarknutej popolnice” na výrobku Vás upozorňuje na povinnosť odovzdať zariadenie po skončení jeho životnosti do oddeleného zberu.

Spotrebitelia majú povinnosť kontaktovať ich lokálny úrad alebo maloobchod kvôli informáciám týkajúcich sa správneho odovzdaniu a likvidácie ich starých spotrebičov.

Popis práčky a zahájenie pracieho programu

SK

Ovládací panel



Dávkovač pracích prostriedkov: slúži na dávkovanie pracích prostriedkov a prídavných prostriedkov (vid' „Pracie prostriedky a prádlo“).

Tlačidlo **ON/OFF**: slúži na zapnutie a vypnutie práčky.

Otočný ovládač **PROGRAMOV**: pre nastavenie pracích programov. Počas pracieho programu zostane v rovnakej polohe.

FUNKČNÉ tlačidlá s kontrolkami: Slúžia na voľbu jednotlivých dostupných funkcií. Kontrolka zvolenej funkcie zostane rozsvietená.


Otočný ovládač **TEPLoty**: slúži na nastavenie teploty alebo prania alebo prania v studenej vode (vid' „Užívateľské nastavenia“).

Kontrolky **POSTUPU PRACIEHO CYKLU/ONESKORENÉHO ŠTARTU**: slúžia na kontrolu postupu pracieho programu.

Rozsvietená kontrolka poukazuje na prebiehajúcu fázu. Ak je nastavená funkcia „Oneskoreného štartu“, budú zobrazovať čas zostávajúci do zahájenia programu (vid' vedľajšia strana).

Kontrolka **ZABLOKOVANIA DVIEROK**: informuje o tom, či je možné otvoriť dvierka (vid' vedľajšia strana).

Tlačidlo s kontrolkou **START/PAUSE**: slúži na zahájenie alebo na dočasné prerušenie programov.

POZN.: Stlačenie tohoto tlačidla slúži na prerušenie prebiehajúceho prania; príslušná kontrolka bude blikať oranžovým svetlom, zatiaľ čo kontrolka prebiehajúcej fázy zostane rozsvietená stálym svetlom. Keď bude kontrolka ZABLOKOVANIA DVIEROK  zhasnutá, bude možné otvoriť dvierka (vyčkajte približne 3 minúty). Pre opätovné zahájenie prania z bodu, v ktorom bolo prerušené, opätovne stlačte toto tlačidlo.

Pohotovostný režim

Po skončení cyklu alebo v case, keď nie je spustený žiaden cyklus, po 30 minútach dôjde k vypnutiu zariadenia kvôli energetickej úspore. Na obnovenie činnosti zariadenia, nachádzajúceho sa v pohotovostnom režime, stačí stlačiť tlačidlo ON/OFF.

Kontrolky

Kontrolky sú zdrojom dôležitých informácií. Informujú o nasledujúcich skutočnostiach:

Oneskorený štart

Keď bola aktivovaná funkcia „Oneskoreného štartu“ (vid' „Užívateľské nastavenia“), po zahájení pracieho programu začne blikať príslušná kontrolka zvoleného oneskorenia:



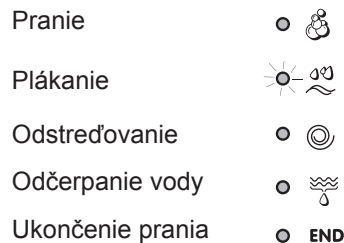
Priebežne bude zobrazovaný čas zostávajúci do štartu, a zobrazovanie bude sprevádzané blikaním príslušnej kontrolky:



Po uplynutí zvolenej doby oneskorenia dôjde k zahájeniu nastaveného programu.

Kontrolky prebiehajúcej fázy

Po zvolení a zahájení požadovaného pracieho cyklu dôjde k postupnému rozsvetovaniu kontroliek informujúcich o jeho postupe.



Funkčné tlačidlá a príslušné kontrolky


Po zvolení konkrétnej funkcie dôjde k rozsvieteniu príslušnej kontrolky.

Keď zvolenú funkciu nie je možné zaradiť do nastaveného programu, príslušná kontrolka bude blikať, budete počuť akustický signál a funkcia nebude aktivovaná. V prípade, že zvolená funkcia nie je kompatibilná s inou predtým zvolenou funkciou, kontrolka prvej voliteľnej funkcie bude blikať a bude aktivovaná len druhá, pričom kontrolka zvolenej funkcie sa rozsvieti stálym svetlom.

Kontrolka zablokovania dvierok



Rozsvietenie tejto kontrolky signalizuje, že dvierka sú zaistené kvôli zamedzeniu ich náhodnému otvoreniu; aby sa dvierka nepoškodili, pred ich otvorením je potrebné vyčkať, kým uvedená kontrolka nezhasne; (vyčkajte približne 3 minúty). Na otvorenie dvierok v priebehu pracieho cyklu stlačte tlačidlo START/PAUSE; keď bude kontrolka ZAISTENÉ DVIERKA zhasnutá, bude možné dvierka otvoriť.

Zahájenie pracieho programu

1. Zapnite práčku stlačením tlačidla ON/OFF. Všetky kontrolky sa rozsvetia na niekoľko sekúnd, potom zhasnú a bude blikať kontrolka START/PAUSE.
2. Naplňte práčku a zatvorte dvierka.
3. Otočným ovládačom PROGRAMOV zvolte požadovaný prací program.
4. Nastavte teplotu prania (vid' „Užívateľské nastavenia“).
5. slúži na dávkovanie pracieho prostriedku a prídavných prostriedkov (vid' „Pracie prostriedky a prádlo“).
6. Zvolte požadované funkcie.
7. Zahajte prací program stlačením tlačidla START/PAUSE a príslušná kontrolka zostane rozsvietená stálym svetlom zelenej farby. Zrušenie nastaveného pracieho cyklu sa vykonáva prerušením činnosti zariadenia stlačením tlačidla START/PAUSE a voľbou nového cyklu.
8. Po ukončení pracieho programu sa rozsvieti kontrolka END. Po zhasnutí kontrolky ZABLOKOVANIA DVIEROK  bude možné dvierka otvoriť (vyčkajte približne 3 minúty). Vytiahnite prádlo a nechajte dvierka pootvorené, aby bolo umožnené vysušenie bubna. Zapnite práčku stlačením tlačidla ON/OFF.

Pracie programy

Tabuľka pracích programov

Pracie programy	Popis programu	Max. Teplota (°C)	Max. rýchlosť (otáčky za minútu)	Pracie prostriedky			Max. náplň (kg)	Zvyšková vlhkosť %	Spotreba energie kWh	Voda celkom lt	Doba trvania cyklu
				Pred-pranie	Pra-nie	Avi-vaz					
Denné (Daily)											
1	Bavlna + predpranie: Mimoriadne špinavé biele prádlo.	90°	1200	●	●	●	5	53	1,90	68	155'
2	Štandardný program pre bavlnu pri 60 °C (1): Znacne špinavé biele a farebné prádlo z odolných tkanín.	60° (Max. 90°)	1200	-	●	●	5	53	0,85	47,2	165'
3	Štandardný program pre bavlnu pri 40 °C (2): Znacne špinavé biele a farebné prádlo z chĺlostivých tkanín.	40°	1200	-	●	●	5	53	0,83	49	155'
4	Syntetika: Veľmi špinavé farebné prádlo z odolných tkanín.	60°	800	-	●	●	3	44	0,78	33	105'
4	Syntetika (3): Čiastočne špinavé farebné prádlo z odolných tkanín.	40°	800	-	●	●	3	44	0,49	38	95'
5	Farebná bavlna: Málo špinavé biele chĺlostivé prádlo.	40°	1200	-	●	●	5	53	0,86	56	95'
20° Zone											
6	Štandardný program pre bavlnu pri 20 °C: Znacne špinavé biele a farebné prádlo z chĺlostivých tkanín.	20°	1200	-	●	●	5	-	-	-	170'
7	Mix Light	20°	800	-	●	●	5	-	-	-	120'
8	20' Refresh	20°	800	-	●	●	1,5	-	-	-	20'
Špeciálne programy (Special)											
9	Hodváb/záclony: Pre prádlo z hodvábu, viskózy, spodné prádlo.	30°	0	-	●	●	1	-	-	-	55'
10	Vlna: Pre vlnu, kašmír, atd.	40°	800	-	●	●	1,5	-	-	-	70'
11	Jeans	40°	800	-	●	●	3	-	-	-	75'
Sport											
12	Sport Intensive	30°	600	-	●	●	3	-	-	-	85'
13	Sport Light	30°	600	-	●	●	3	-	-	-	60'
14	Sport Shoes	30°	600	-	●	●	Max. 2 pairs	-	-	-	55'
Dielcie programy											
	Plákanie	-	1200	-	-	●	5	-	-	-	36'
	Odstred'ovanie + Odčerpanie vody	-	1200	-	-	-	5	-	-	-	10'

Doba trvania cyklu, uvedená na displeji alebo v návode, je stanovená na základe štandardných podmienok. Skutočná doba sa môže meniť v závislosti na mnohých faktoroch, ako sú napr. teplota a tlak vody na vstupe, teplota prostredia, množstvo pracieho prostriedku, množstvo a druh náplne, vyváženie náplne a zvolené funkcie.

1) Kontrolný program podľa normy 1061/2010: nastavte program 2 s teplotou 60°C.

Tento cyklus je vhodný pre pranie bežne znečisteného bavlneného prádla a jedná sa o najúčinnjší cyklus z hľadiska kombinovanej spotreby energie a vody, určený pre prádlo, ktoré je možné prať pri teplote do 60°C. Skutočná teplota prania sa môže líšiť od uvedenej.

2) Kontrolný program podľa normy 1061/2010: nastavte program 3 s teplotou 40°C.

Tento cyklus je vhodný pre pranie bežne znečisteného bavlneného prádla a jedná sa o najúčinnjší cyklus z hľadiska kombinovanej spotreby energie a vody, určený pre prádlo, ktoré je možné prať pri teplote do 40°C. Skutočná teplota prania sa môže líšiť od uvedenej.

Pre všetky Test Institutes:

2) Dlhý program na pranie bavlny: nastavte program 3 s teplotou 40°C.

3) Syntetický program spolu: nastavte program 4 s teplotou 40°C.

Sport Intensive (program 12) bol navrhnutý pre pranie veľmi znečistených látok športového oblečenia (teplákové súpravy, šortky apod.); pre dosiahnutie optimálnych výsledkov sa odporúča neprekračovať maximálnu náplň uvedenú v "Tabuľka pracích programov".

Sport Light (program 13) bol navrhnutý pre pranie málo znečistených látok športového oblečenia (teplákové súpravy, šortky apod.); pre dosiahnutie optimálnych výsledkov sa odporúča neprekračovať maximálnu náplň uvedenú v "Tabuľka pracích programov". Odporúča sa použiť tekuté prací prostriedky a použiť dávku vhodnú pre polovičnú náplň.

Sport Shoes (program 14) bol navrhnutý pre pranie športovej obuvi; pre dosiahnutie optimálnych výsledkov neperte viac ako 2 páry naraz.

Programy 20° (20° Zone) ponúkajú účinné pranie pri nízkych teplotách, čím umožňujú šetrenie elektrickej energie, úsporu peňazí a chránia životné prostredie.

Programy 20° vyhovujú všetkým požiadavkám:

Štandardný program pre bavlnu pri 20 °C (program 6) ideálny pre náplne zo znečistenej bavlny. Účinné pranie i za studena, porovnateľné s práním pri 40 °C, dosiahnuté mechanickým pôsobením, ktoré je založené na zmene rýchlosti v krátkych alebo dlhých intervaloch.

Mix Light (program 7) ideálny pre zmiešané náplne (bavlna a syntetika) stredne znečisteného prádla. Účinné pranie i za studena je dosiahnuté mechanickým pôsobením, ktoré je založené na zmene rýchlosti v stredných alebo určených intervaloch.

20' Osvieženie (program 8) ideálny cyklus pre osvieženie a pranie miere znečisteného prádla v priebehu pár minút. Trvá len 20 minút a šetrí tak čas i energiu. Umožňuje spolu prať tkaniny rôzneho druhu (s výnimkou vlny a hodvábu) pri náplni nepresahujúcej 1,5 kg.

Nastavenie teploty

Otáčaním otočného ovládača TEPLoty sa nastavuje teplota prania (viď *Tabuľka programov*).

Teplota môže byť postupne znižovaná až po pranie v studenej vode (❄).

Zariadenie automaticky zabráni nastaveniu vyššej teploty ako je maximálna teplota pre každý prací program.

! Výnimka: pri voľbe programu **2** bude možné zvýšiť teplotu až na 90°C.

Funkcie

Jednotlivé funkcie, ktorými práčka disponuje, umožňujú dosiahnuť požadovaný stupeň čistoty a belosti praného prádla.

Spôsob aktivácie jednotlivých funkcií:

1. stlačte príslušné tlačidlo požadovanej funkcie;
2. rozsvietenie príslušnej kontrolky signalizuje, že došlo k aktivácii zvolenej funkcie.

Poznámka:

- Keď zvolenú funkciu nie je možné zaradiť do nastaveného programu, príslušná kontrolka bude blikať, budete počuť akustický signál a funkcia nebude aktivovaná.

- V prípade, že zvolená funkcia nie je kompatibilná s inou predtým zvolenou funkciou, kontrolka prvej voliteľnej funkcie bude blikať a bude aktivovaná len druhá, pričom kontrolka zvolenej funkcie sa rozsvieti stálym svetlom.

EcoTime

Voľbou tejto funkcie budú mechanický pohon, teplota a voda nastavené pre zníženú náplň málo znečistenej bavlny a syntetických materiálov (viď „Tabuľka programov“). Pri použití programu „EcoTime“ môžete pracovať s kratšími dobami a ušetriť vodu a energiu. Odporúča sa používať dávku tekutého pracieho prostriedku, vhodnú pre naplnené množstvo.

Energy Savér

Funkcia Energy Savér prispieva k energetickej úspore, tým že neohrieva vodu použitú na pranie prádla – šetrí sa tým nie len životné prostredie, ale aj náklady za elektrickú energiu. Posilnený účinok a optimalizovaná spotreba vody skutočne zabezpečia optimálny výsledok za rovnakú priemernú dobu odpovedajúcu štandardnému cyklu. Na dosiahnutie lepších výsledkov prania sa odporúča použiť tekutý prací prostriedok.



Slúži na zníženie rýchlosti odstreivania.

! Táto funkcia nie je použiteľná pri programoch 9.

Oneskorený štart

Slúži na odloženie zahájenia pracieho cyklu až o 12 hodín.

Opakovane stlačajte tlačidlo, až kým sa nerozsvieti kontrolka označujúca požadovanú dobu oneskorenia. Po piatom stlačení tlačidla dôjde k zrušeniu uvedenej funkcie.

POZN.: Po stlačení tlačidla START/PAUSE je možné zmeniť čas oneskorenia len jeho znížením a to až do zahájenia nastaveného programu.

Pracie prostriedky a prádlo

SK

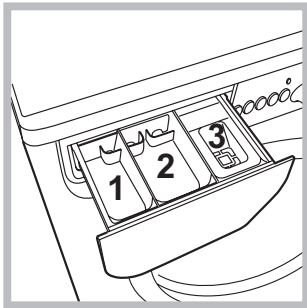
Dávkovač pracích prostriedkov

Dobry výsledok prania závisí aj od správneho dávkovania pracieho prostriedku: použitie nadmerného množstva znižuje efektivitu prania a napomáha tvorbe vodného kameňa na vnútorných častiach práčky a zvyšuje znečistenie životného prostredia.

! Nepoužívajte pracie prostriedky určené na pranie v rukách, pretože spôsobujú tvorbu nadmerného množstva peny.

! Používajte práškové pracie prostriedky pre biele bavlnené prádlo a pre predpieranie a pre pranie pri teplote vyššej ako 60 °C.

! Dodržujte pokyny uvedené na obale pracieho prostriedku.



Pri vyťahovaní dávkovača pracích prostriedkov a pri jeho plnení pracími alebo prídavnými prostriedkami postupujte nasledovne.

priehradka 1: Prací prostriedok na predpieranie (práškový)

priehradka 2: Prací prostriedok na pranie (práškový alebo tekutý)

Tekutý prací prostriedok sa nalieva len tesne pred zahájením pracieho cyklu.

priehradka 3: Prídavné prostriedky (aviváž, atď.)

Aviváž nesmie vytekať z mriežky.

Príprava prádla

- Roztriedte prádlo podľa:
 - druhu tkaniny / symbolu na visačke.
 - farby: oddelte farebné prádlo od bieleho.
- Vyprázdňte vrecká a skontrolujte gombíky.
- Neprekračujte hodnoty povolenej náplne uvedenej v "Tabuľka pracích programov", vzťahujúce sa na hmotnosť suchého prádla:


Koľko váži prádlo?

- 1 plachta 400-500 g
- 1 obliečka 150-200 g
- 1 obrus 400-500 g
- 1 župan 900-1.200 g
- 1 uterák 150-250 g

Prádlo vyžadujúce osobitnú starostlivosť

Hodváb: použite príslušný program **9** na pranie všetkého prádla z hodvábu. Odporúča sa použitie pracieho prostriedku pre chýlostivé prádlo.

Záclony: odporúča sa ich poskladať a vložiť do sáčku dodaného v rámci príslušenstva. Použite program **9**.

Vlna: S programom **10** je možné prať v práčke všetky druhy vlneného prádla, aj tie, ktoré sú označené visačkou „prať len v rukách“ . Pre dosiahnutie optimálnych výsledkov používajte špecifický prací prostriedok a neprekračujte náplň 1,5 kg.

Jeans: Prevráťte prádlo naruby a použite tekutý prací prostriedok. Použite program **11**.

Systém automatického vyváženia náplne

Pred každým odstredovaním bubon vykoná otáčanie rýchlosťou o málo prevyšujúcou rýchlosť prania, aby sa tak odstránili vibrácie a aby sa náplň rovnomerne rozložila. V prípade, že po niekoľko násobných pokusoch o vyváženie prádlo ešte nebude správne vyvážené, zariadenie vykoná odstredovanie nižšou rýchlosťou, ako je prednastavená rýchlosť. Ak je práčka nadmerne nevyvážená, vykoná namiesto odstredovania vyváženie. Za účelom dosiahnutia rovnomernejšieho rozloženia náplne a jej správneho vyváženia, odporúča sa pomiešať veľké a malé kusy prádla.

Môže sa stať, že práčka nebude fungovať. Skôr, ako zatelefonujete na Servisnú službu *vid' „Servisná služba“*) skontrolujte, či sa nejedná o problém ľahko odstrániteľný pomocou nasledujúceho zoznamu.

Poruchy:

Možné príčiny / Spôsob ich odstránenia:

Pračku nie je možné zapnúť.

- Zástrčka nie je zasunutá v elektrickej zásuvke, alebo nie je zasunutá dostatočne, aby došlo k spojeniu kontaktov.
- V celom dome je vypnutý prúd.

Nedochádza k zahájeniu pracieho cyklu.

- Nie sú riadne zatvorené dvierka.
- Nebolo stlačené tlačidlo ON/OFF.
- Nebolo stlačené tlačidlo START/PAUSE.
- Nebol otvorený kohútik prívodu vody.
- Bol nastavený oneskorený štart (*vid' „Užívateľské nastavenia“*).

Pračka nenapúšťa vodu (rýchle bliká kontrolka prvej fázy prania).

- Prítoková hadica nie je pripojená k vodovodnému kohútiku.
- Hadica je príliš ohnutá.
- Nebol otvorený kohútik prívodu vody.
- V celom dome je uzatvorený prívod vody.
- V rozvode vody nie je dostatočný tlak.
- Nebolo stlačené tlačidlo START/PAUSE.

Pračka nepretržite napúšťa a odčerpáva vodu.

- Vypúšťacia hadica sa nachádza mimo určeného rozmedzia od 65 do 100 cm nad zemou (*vid' „Inštalácia“*).
 - Koncová časť vypúšťacej hadice je ponorená vo vode (*vid' „Inštalácia“*).
 - Odpadové potrubie v stene nie je vybavené odvzdušňovacím otvorom.
- Ak po týchto kontrolách nedôjde k odstráneniu problému, zatvorte vodovodný kohútik, vypnite práčku a zavolajte Servisnú službu. V prípade, že sa byt nachádza na jednom z najvyšších poschodí je možné, že dochádza k sifónovému efektu, následkom ktorého práčka nepretržite napúšťa a odčerpáva vodu. Na odstránenie uvedeného efektu sú v predaji bežne dostupné špeciálne „protisifónové“ ventily.

Pračka neodčerpáva vodu alebo neodstreďuje.

- Odčerpanie vody netvorí súčasť nastaveného programu: pri niektorých programoch je potrebné aktivovať ho manuálne.
- Vypúšťacia hadica je ohnutá (*vid' „Inštalácia“*).
- Odpadové potrubie je upchaté.

Pračka vo fáze odstredovania veľmi vibruje.

- Počas inštalácie nebol bubon odistený predpísaným spôsobom (*vid' „Inštalácia“*).
- Pračka nie je dokonale vyrovnaná do vodorovnej polohy (*vid' „Inštalácia“*).
- Zariadenie je stlačené medzi nábytkom a stenou (*vid' „Inštalácia“*).

Z práčky uniká voda.

- Prítoková hadica nie je správne zaskrutkovaná (*vid' „Inštalácia“*).
- Dávkovač pracích prostriedkov je upchatý (spôsob jeho vyčistenia je uvedený v časti *„Údržba a starostlivosť“*).
- Vypúšťacia hadica nie je dobre pripevnená (*vid' „Inštalácia“*).

Kontrolky „voliteľné funkcie“ a kontrolka „START/PAUSE“ blikajú a jedna z kontroliek „prebiehajúca fáza“ a „ZABLOKOVANIA DVIEROK“ sa rozsvieti stálym svetlom.

- Vypnite zariadenie a vytiahnite zástrčku zo zásuvky, vyčkajte 1 minútu a opätovne ho zapnite.
Ak porucha pretrváva, obráťte sa na Servisnú službu.

Dochádza k tvorbe nadmerného množstva peny.

- Použitý prací prostriedok nie je vhodný na použitie v automatickej práčke (musí obsahovať označenie „pre pranie v práčke“, „pre pranie v rukách alebo v práčke“ alebo podobné označenie).
- Bolo použité jeho nadmerné množstvo.

Servisná služba

SK

Pred obrátením sa na Servisnú službu:

- Skontrolujte, či nie ste schopní poruchu odstrániť sami (vid' „Poruchy a spôsob ich odstránenia“);
- Opätovne uveďte do chodu prací program, s cieľom overiť, či bola porucha odstránená;
- V opačnom prípade sa obráťte na Centrum servisnej služby, na telefónnom čísle uvedenom na záručnom liste.

! Nikdy sa neobracajte so žiadosťou o pomoc na technikov, ktorí nie sú na vykonávanie tejto činnosti oprávnení.

Pri hlásení poruchy uveďte:

- druh poruchy;
- model zariadenia (Mod.);
- výrobné číslo (S/N).

Tieto informácie sú uvedené na štítku aplikovanom na zadnej časti práčky a v jej prednej časti, dostupnej po otvorení dvierok.

DELEGOVANÉ NARIADENIE KOMISIE (EÚ) č. 1061/2010	
Značka	INDESIT
Model	IWB 51251 C ECO EU
Menovitá kapacita bavlnenej látky v kg	5
Trieda energetickej účinnosti na stupnici A+++ (najnižšia spotreba) až G (vysoká spotreba)	A+
Ročná spotreba energie v kWh ¹⁾	169
Spotreba energie štandardného programu na bavlnu pre pranie pri 60 °C s celou náplňou v kWh ²⁾	0.852
Spotreba energie štandardného programu na bavlnu pre pranie pri 60 °C s polovičnou náplňou v kWh ²⁾	0.673
Spotreba energie štandardného programu na bavlnu pre pranie pri 40 °C s polovičnou náplňou v kWh ²⁾	0.592
Vážená spotreba energie vo vypnutom stave vo W	0,5
Vážená spotreba energie v režime ponechania v zapnutom stave vo W	8
Ročná spotreba vody v litroch ³⁾	7800
Trieda účinnosti sušenia odstredovaním na stupnici od G (najmenšia účinnosť) do A (najvyššia účinnosť)	B
Maximálne otáčky pri odstredovaní ⁴⁾	1200
Zostatkový obsah vlhkosti v % ⁵⁾	53.0%
Trvanie „štandardného programu na bavlnu pre pranie pri 60 °C“ s celou náplňou v minútach.	165
Trvanie „štandardného programu na bavlnu pre pranie pri 60 °C“ s polovičnou náplňou v minútach.	135
Trvanie „štandardného programu na bavlnu pre pranie pri 40 °C“ s polovičnou náplňou v minútach.	130
Trvanie režimu ponechania v zapnutom stave v minútach	30
Emisia hluku v dB(A) re 1 pW počas prania ⁶⁾	62
Emisia hluku v dB(A) re 1 pW počas odstredovania ⁶⁾	80
Vstavaný spotrebič	

¹⁾ Štandardný program na bavlnu pre pranie pri 60 °C s celou náplňou a polovičnou náplňou a štandardný program na bavlnu pre pranie pri 40°C s polovičnou náplňou sú štandardné prací programy, na ktoré sa vzťahujú informácie uvedené na energetickom štítku a v informačnom liste. Tieto programy sú vhodné na pranie bežne znečistenej bavlnenej bielizne a jedná sa o najúčinnnejšie programy z hľadiska kombinovanej spotreby energie a vody.

²⁾ Na základe 220 štandardných pracích cyklov s programami na bavlnu pre pranie pri 60 °C a 40 °C s celou a polovičnou náplňou a spotreba v režimoch s nízkou spotrebou energie. Skutočná spotreba energie bude závisieť na tom, ako je spotrebič používaný.

³⁾ Na základe 220 štandardných pracích cyklov s programami na bavlnu pre pranie pri 60 °C a 40 °C s celou a polovičnou náplňou. Skutočná spotreba vody bude závisieť na tom, ako je spotrebič používaný.

⁴⁾ U štandardného programu na bavlnu pre pranie pri 60 °C s celou náplňou alebo u štandardného programu na bavlnu pre pranie pri 40 °C s polovičnou náplňou podľa toho, ktorá hodnota je menšia.

⁵⁾ U štandardného programu na bavlnu pre pranie pri 60 °C s celou náplňou alebo u štandardného programu na bavlnu pre pranie pri 40 °C s polovičnou náplňou podľa toho, ktorá hodnota je väčšia.

⁶⁾ Počas fázy prania a odstredovania u štandardného programu na bavlnu pre pranie pri 60 °C s celou náplňou.

BG

Български

IWB 51251

Съдържание

Монтиране, 62-63

Разопаковане и нивелиране
Хидравлични и електрически връзки
Първо пране
Технически данни

Поддръжка и почистване, 64

Спиране на водата и изключване на електрозахранването
Почистване на пералната машина
Почистване на чекмеджето за перилните препарати
Поддръжка на люка и на барабана
Почистване на помпата
Проверка на маркуча за студената вода

Мерки за безопасност и препоръки, 65

Общи предохранителни мерки
Рециклиране

Описание на пералната машина и пускането на дадена програма, 66-67

Табло за управление
Светлинни индикатори
Включване на програма

Програми, 68

Таблица с програмите

Персонализираня, 69

Задаване на температурата
Функции

Перилни препарати и дрехи за пране, 70

Чекмедже за перилните препарати
Цикъл на избелване
Подготвяне на прането
Специфично пране
Система за измерване на товара

Проблеми и мерки за отстраняването им, 71

Сервизно обслужване, 72

Монтиране

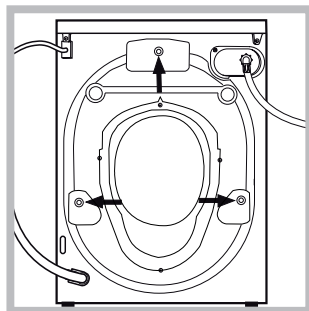
BG

! Важно е да съхранявате инструкциите, за да можете да правите допълнителни справки по всяко време. В случай че пералната машина се продаде, преотстъпи или премести, трябва да се погрижите инструкциите винаги да я придружават, за да се предостави информация на новия собственик за работата и съответните предупреждения. ! Прочетете внимателно инструкциите: защото съдържат важна информация за монтажа, използването и безопасността.

Разопаковане и нивелиране

Разопаковане

1. Разопакувайте пералната машина.
2. Проверете дали пералната машина не е повредена при транспортирането. Ако е повредена, не я свързвайте, а се обърнете към продавача.



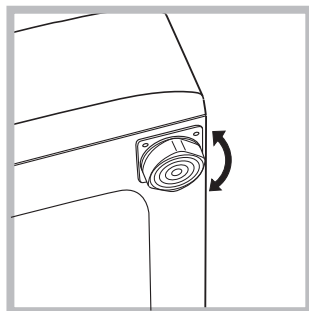
3. Свалете 3-те винта за предпазване при транспорт и гумичката със съответната втулка, поставени от задната страна (виж показаното на фигурата).

4. Затворете отворите с предоставените пластмасови капачки.
5. Съхранете всички части: за да се монтират отново при необходимост пералната машина да бъде транспортирана.

! Опаковъчният материал не е детска играчка.

Нивелиране

1. Монтирайте пералната машина на равен и твърд под, без да я опирате в стени, мебели и др.



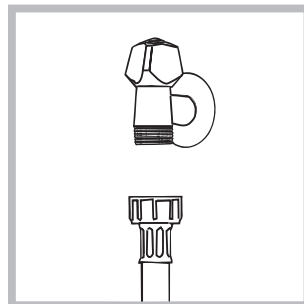
2. Ако подът не е идеално хоризонтален, компенсирате неравностите, като отвиете или завиете предните крачета (виж фигурата); ъгълът на наклона, измерен върху

работната повърхност, не трябва да надвишава 2°.

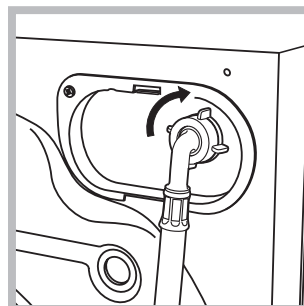
Точното нивелиране позволява машината да бъде стабилна и да се избягват вибрациите, шумът и преместването ѝ по време на работа. Когато настилката е мокет или килим, регулирайте така крачетата, че под пералната машина да остане достатъчно място за вентилация.

Хидравлични и електрически връзки

Свързване на маркуча към водопроводната мрежа



1. Свържете захранващия маркуч, като го завиете към крана за студената вода с накрайник с газова резба 3/4 (виж фигурата). Преди да го свържете, източете водата, докато се избистри.



2. Свържете маркуча за студената вода към пералната машина, като го завиете към специалния щуцер, разположен от задната страна, горе вдясно (виж фигурата).

3. Внимавайте маркуча да не се прегъва и притиска.

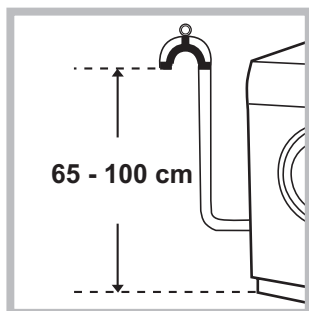
! Налягането по водопроводната мрежа трябва да бъде в границите, указани в таблицата „Технически данни“ (вж. следващата страница).

! Ако дължината на захранващия маркуч не е достатъчна, се обърнете към специализиран магазин или към оторизиран техник.

! Никога не използвайте вече употребяван маркуч.

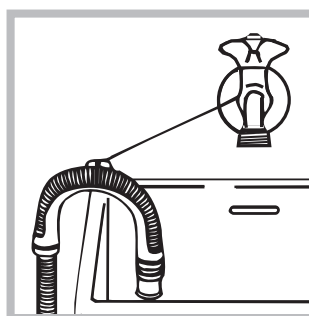
! Използвайте тези, което са доставени с пералната машина.

Свързване на маркуча за мръсната вода



Свържете маркуча за мръсната вода, без да го прегъвате, към канализационната тръба или към тръбата за отвеждане в стената, разположени на височина между 65

и 100 см от пода, или го подпрете на ръба на мивката или ваната,



свързвайки доставения водач към крана (вж. фигурата). Свободният край на маркуча за мръсната вода не трябва да бъде потопен във водата.

! Не се препоръчва използването на удължителни маркучи. Ако е необходимо, удължителят трябва да има същия диаметър като оригиналния и да не надвишава 150 см.

Свързване към електрическата мрежа

Преди да свържете щепсела в контакта, проверете дали:

- контактът е заземен съгласно действащите стандарти;
- контактът може да поеме максималната мощност на натоварване на машината, указана в таблицата с техническите данни (вж следващата страница);
- захранващото напрежение е в границите на указаното в таблицата с техническите данни (вж следващата страница);
- контактът отговаря на щепсела на пералната машина. В противен случай заменете щепсела или контакта.

! Пералната машина не се монтира на открито, дори под навес, защото е много опасно да се остави на влиянието на атмосферните условия.

! За монтираната перална машина електрическият контакт трябва да бъде лесно достъпен.

! Не използвайте удължители или разклонители.

! Кабелът не трябва да бъде огънат или сплескан.

! Захранващият кабел трябва да се подменя само от оторизирани техници. Внимание! Фирмата отхвърля всякаква отговорност в случаите, в които тези норми не се спазват.

Първо пране

След инсталиране и преди употреба включете един цикъл на изпиране с перилен препарат, но без дрехи, задавайки програмата 2.

Технически данни

Модел	IWB 51251
Размери	ширина 59,5 см височина 85 см дълбочина 51,7 см
Вместимост	от 1 до 5 кг.
Електрическо захранване	Виж табелката с характеристиките, поставена на машината
Захранване с вода	максимално налягане 1 MPa (10 bar) минимално налягане 0,05 MPa (0,5 bar) обем на казана 46 литра
Скорост на центрофугата	до 1200 оборота/минута
Програми за проверка съгласно Регламенти № 1061/2010 и № 1015/2010 на Комисията	програма 2; стандартна програма за памук при 60 °C. програма 3; стандартна програма за памук при 40 °C.
 	Пералната машина съответства на следните Европейски директиви: - 2004/108/CE (за електромагнитна съвместимост) - 2012/19/EU - 2006/95/CE (за ниско напрежение)

Поддръжка и почистване

BG

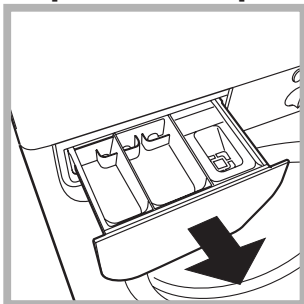
Спиране на водата и изключване на електрозахранването

- Затваряйте крана за вода след всяко изпиране. По този начин се ограничава износването на хидравличната инсталация на пералната машина и се ограничава опасността от течове.
- Изключвайте щепсела от електрическото захранване, когато почиствате пералната машина и по време на работи по поддръжката.

Почистване на пералната машина

Външната част и гумените части могат да се почистват с кърпа с хладка вода и сапун. Не използвайте разтворители или абразивни препарати.

Почистване на чекмеджето за перилните препарати



Извадете чекмеджето с повдигане и изтегляне навън (виж фигурата). Измийте го под течаща вода. Това почистване трябва да се извършва често.

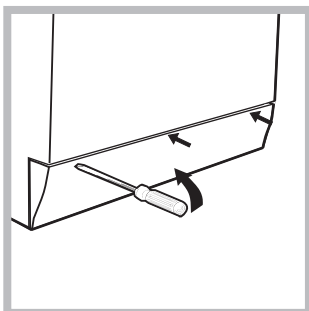
Поддръжка на люка и на барабана

- Оставайте люка винаги открит за избягване образуването на неприятни миризми.

Почистване на помпата

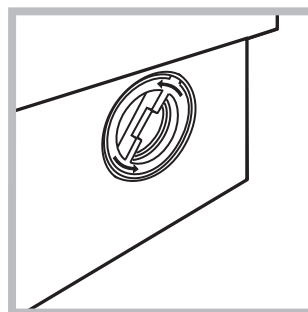
Пералната машина е окомплектована със самопочистваща се помпа, която няма нужда от поддръжка. Възможно е обаче малки предмети (монети, копчета) да попаднат във филтъра, който предпазва помпата и се намира в долната ѝ част.

! Уверете се, че цикълът на пране е завършил, и изключете щепсела от контакта.



За достъп до филтъра:

1. свалете панела в предната част на пералната машина с помощта на отвертка (вж. фигура);



2. отвийте капачката, като я завъртите в посока, обратна на часовниковата стрелка (виж фигура): нормално е да изтече малко вода;

3. почистете внимателно отвътре;
4. завийте отново капачката;
5. затворете отново панела, като, преди да го избутате към пералнята, се уверите, че сте поставили правилно закрепващите куки в специалните водачи.

Проверка на маркуча за студената вода

Проверявайте маркуча за студената вода поне веднъж годишно. Да се замени, ако е напукан и нацепен, защото по време на изпиране голямото налягане може да предизвика внезапно спукване.

! Никога не използвайте вече употребяван маркуч.

! Пералната машина е проектирана и произведена в съответствие с международните норми за безопасност. Предупрежденията тук са продиктувани по причини за безопасност и трябва да се четат внимателно.

Общи предохранителни мерки

- Този уред е предназначен изключително за домашна употреба.
- Този уред може да бъде използван от деца над 8 години и лица с ограничени физически, сетивни или умствени способности, или с недостатъчен опит и познания, ако те са наблюдавани или инструктирани относно използването на уреда от лице, отговорно за тяхната безопасност и разбират опасностите, свързани с употребата на уреда. Децата не трябва да си играят с уреда. Поддръжката и почистването не трябва да се извършват от деца без надзор.
- Пералната машина трябва да се използва само от възрастни хора съгласно инструкциите, предоставени в тази книжка.
- Не докосвайте машината, когато сте боси или с мокри или влажни ръце или крака.
- Изключвайте от контакта, като хващате за щепсела, а не като дърпате кабела.
- Не отваряйте чекмеджето с перилните препарати, докато пералната машина работи.
- Не докосвайте маркуча за мръсната вода, защото може да достигне високи температури.
- Никога не отваряйте люка със сила, защото може да се повреди механизма за безопасност, който предпазва от случайно отваряне.
- В случай на повреда по никакъв повод не достигайте до вътрешните механизми в опити за ремонт.
- Винаги контролирайте децата да не се доближават до работещата машина.
- По време на изпирането люкът се нагрива.
- Преместването да се извършва внимателно от двама или трима души. Никога от сам човек, защото пералната машина тежи много.
- Преди да заредите машината, проверете дали барабанът е празен.

Рециклиране

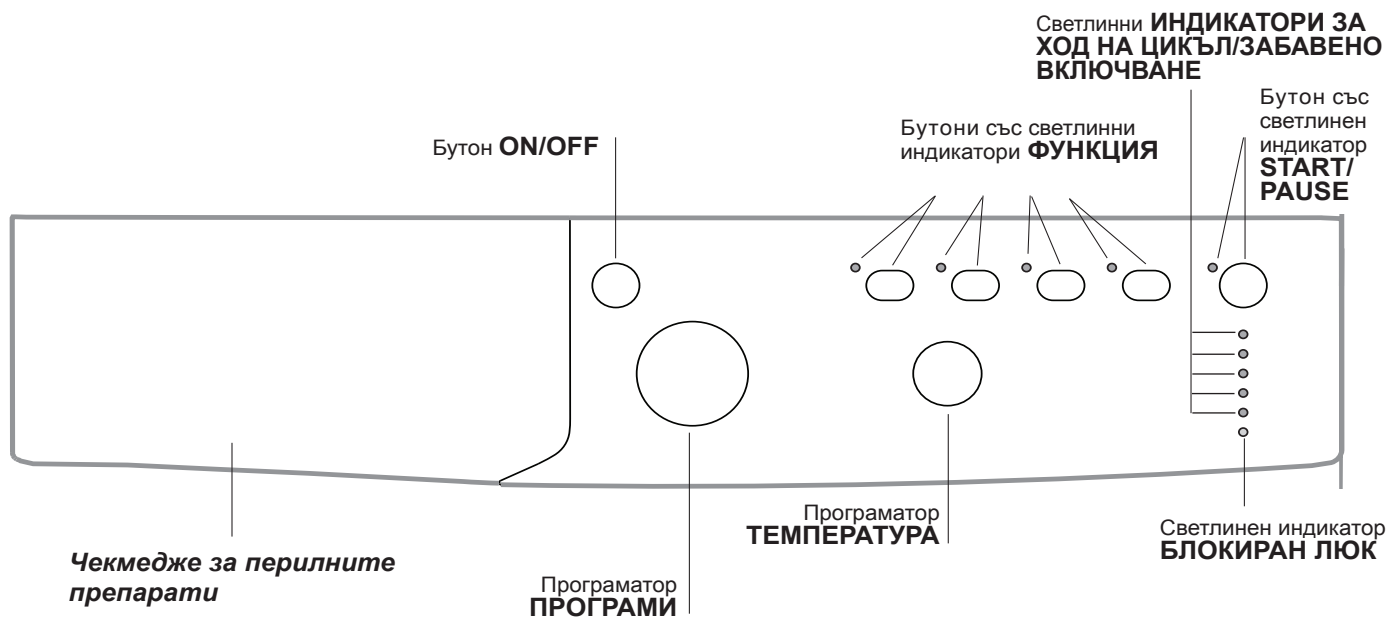
- Унищожаване на опаковъчния материал: спазвайте местните норми – по този начин опаковъчният материал може да се рециклира.
- Европейската директива 2012/19/EU за отпадъците от електрическо и електронно оборудване предвижда домакинските електроуреди да не се изхвърлят заедно с обичайните твърди градски отпадъци. Извадените от употреба уреди трябва да бъдат събирани отделно с цел да бъде увеличен дялът на подлежащите на

повторна употреба и рециклиране материали, от които са направени, както и да бъдат избегнати евентуални вреди за здравето и околната среда. Символът “зачеркнато кошче” е поставен върху всички продукти, за да напомня за задължителното разделно събиране. За допълнителна информация относно правилното изваждане от употреба на домакинските електроуреди, интересувашите се могат да се обърнат към службата за събиране на отпадъци или към дистрибуторите.

Описание на пералната машина и пускането на дадена програма

BG

Табло за управление



Чекмедже за перилните препарати: за дозиране на перилните препарати и добавките (вж. “Перилни препарати и дрехи за пране”).

Бутон ON/OFF: за включване и изключване на пералнята.

Програматор ПРОГРАМИ: за задаване на програмите. По време на изпълнение на програмата ключът остава неподвижен.

Бутони със светлинни индикатори ФУНКЦИЯ: за селектиране на възможните функции. Светлинният индикатор за избраната функция ще продължи да свети.

Програматор ТЕМПЕРАТУРА: за задаване на температура или пране със студена вода (вж. “Персонализираня”).

Светлинни ИНДИКАТОРИ ЗА ХОД НА ЦИКЪЛ/ЗАБАВЕНО ВКЛЮЧВАНЕ: за да следвате хода на изпълнение на програмата за пране.

Включеният светлинен индикатор показва, че се извършва определена фаза от цикъла.

Ако е зададена функцията “Забавено включване”, ще се посочва времето, оставащо до стартирането на програмата (вж. *съседната страница*).

Светлинен индикатор БЛОКИРАН ЛЮК: за да се разбере дали люкът може да се отвори (вж. *съседната страница*).

Бутон със светлинен индикатор START/PAUSE: за стартиране на програмите или временното им прекъсване.

Забележка: за задаване на пауза в прането натиснете отново бутона - индикаторът ще мига с оранжева светлина, докато светлинният индикатор, указващ изпълнение на фаза, ще свети непрекъснато. Ако светлинният индикатор БЛОКИРАН ЛЮК е угаснал, ще може да се отвори вратата на люка (изчакайте около 3 минути). За продължаване на цикъла пране от мястото, в което е бил прекъснат, натиснете отново този бутон.

Режим на stand by

В съответствие с новите нормативи за пестене на енергия тази перална машина е снабдена със система за автоматично изключване (stand by), която се задейства след 30 минути в случай, че машината не се използва. Натиснете за кратко бутон ON/OFF и изчакайте машината да се задейства отново.

Светлинни индикатори

Следящите светлинни индикатори дават важна информация.

Ето какво казват:

Отложен старт

Ако е активирана функцията “Забавено включване” (вж. “Персонализираня”), след пускане на програмата ще светне индикаторът за избраното забавяне:



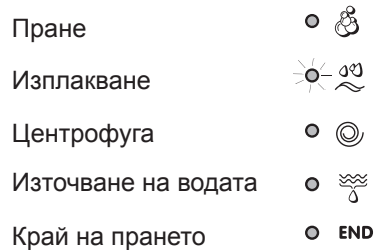
В течение на времето ще се визуализира оставащото забавяне чрез мигане на съответния светлинен индикатор:



След като изтече зададеното време за отлагане на старта, избраната програма ще се включи.

Светлинни индикатори за текущите фази

След като е избран и стартиран желаният цикъл на пране, светлинните индикатори ще светват един след друг, за да указват хода на цикъла:




Бутони за функция и съответни светлинни индикатори

При избор на функция съответният светлинен индикатор ще светне. Ако избраната функция не е съвместима със зададената програма, съответният светлинен индикатор ще мига и функцията няма да се активира. Ако избраната функция не е съвместима с друга предварително зададена, светлинният индикатор, съответстващ на първата избрана функция, мига и се активира само втората, като индикаторът на активираната функция светва.

Светлинен индикатор блокиран люк

Светещият светоиндикатор показва, че люкът е блокиран, за да се възпрепятства отварянето му; за да отворите люка изчакайте светоиндикатора да угасне; (изчакайте около 3 минути). За отваряне на люка по време на пране се натиска бутон START/PAUSE; може да отворите люка, ако светоиндикаторът БЛОКИРАН ЛЮК е угаснал.



Включване на програма

1. Включете пералнята, като натиснете бутона ON/OFF. Всички индикатори ще се включат и ще светят в продължение на няколко секунди, след което ще угаснат и ще светят с пулсираща светлина индикаторът START/PAUSE.
2. Заредете дрехите за пране и затворете люка.
3. Задайте желаната програма с ключа ПРОГРАМИ.
4. Задайте температурата на пране (вж. “Персонализираня”).
5. Поставете перилен препарат и добавки вж. “Перилни препарати и дрехи за пране”.
6. Избиране на желаните функции.
7. Включете програмата, като натиснете бутона START/PAUSE, съответният светлинен индикатор ще свети постоянно в зелен цвят. За да отмените зададения цикъл, поставете машината в пауза, като натиснете бутона START/PAUSE, и изберете новия цикъл.
8. Когато програмата свърши, ще светне индикаторът END. Когато светоиндикаторът БЛОКИРАН ЛЮК  угасне, може да отворите люка (изчакайте около 3 минути). Извадете прането и оставете люка притворен, за да изсъхне барабанът. Изключете пералнята, като натиснете бутона ON/OFF.

Програми

BG

Таблица с програмите

Програми	Описание на програмата	Макс. температура (°C)	Макс. скорост (обороти в минута)	Перилни препарати			Зареждане макс. (кг)	Остайна влажност %	Разход на енергия kWh	Общ разход на вода lt	Продължителност на цикъла
				Пред-ране	Основно пране	Омеко-тител					
Програми за всеки ден (Daily)											
1	ПАМУК "Предпране": Бели, изключително замърсени.	90°	1200	●	●	●	5	53	1,90	68	155'
2	Стандартна програма за памук при 60 °C (1): Бели и цветни, устойчиви, силно замърсени.	60° (Max. 90°)	1200	-	●	●	5	53	0,85	47,2	165'
3	Стандартна програма за памук при 40 °C (2): Бели и цветни, неустойчиви, малко замърсени.	40°	1200	-	●	●	5	53	0,83	49	155'
4	СИНТЕТИЧНИ: Цветни, устойчиви, силно замърсени.	60°	800	-	●	●	3	44	0,78	33	105'
4	СИНТЕТИЧНИ (3): Цветни, устойчиви, малко замърсени.	40°	800	-	●	●	3	44	0,49	38	95'
5	ПАМУК-ЦВЕТНИ: Бели, малко замърсени, и цветни, неустойчиви.	40°	1200	-	●	●	5	53	0,86	56	95'
20° Zone											
6	Стандартна програма за памук при 20°C: Бели и цветни, неустойчиви, малко замърсени.	20°	1200	-	●	●	5	-	-	-	170'
7	Mix Light	20°	800	-	●	●	5	-	-	-	120'
8	20' Refresh	20°	800	-	●	●	1,5	-	-	-	20'
Специални програми (Special)											
9	КОПРИНА/ПЕРДЕТА: За дрехи от коприна, вискоза, фино бельо.	30°	0	-	●	●	1	-	-	-	55'
10	ВЪЛНЕНИ ТЪКАНИ: За вълна, кашмир и т.н.	40°	800	-	●	●	1,5	-	-	-	70'
11	JEANS	40°	800	-	●	●	3	-	-	-	75'
Sport											
12	Sport Intensive	30°	600	-	●	●	3	-	-	-	85'
13	Sport Light	30°	600	-	●	●	3	-	-	-	60'
14	Sport Shoes	30°	600	-	●	●	(макс. 2 чифта.)	-	-	-	55'
Частични програми											
	ИЗПЛАКВАНЕ	-	1200	-	-	●	5	-	-	-	36'
	ЦЕНТРОФУГА + ИЗПОМПВАНЕ	-	1200	-	-	-	5	-	-	-	10'

Продължителността на цикъла, показана на дисплея или посочена в ръководството, е приблизително изчислена въз основа на стандартните условия. Реалното времетраене може да варира в зависимост от множество фактори като температура и налягане на водата при пълнене, температура на въздуха в помещението, количество перилен препарат, количество, вид и тегло на прането, допълнително избрани опции.

1) Програма за проверка съгласно стандарт 2010/1061: задайте програма 2 с температура 60 °C.

Този цикъл е подходящ за пране на памучни, нормално замърсени тъкани и е най-ефективен от гледна точка на комбиниран разход на енергия и вода, подходящ е за дрехи, които могат да се перат на 60°C.

2) Програма за проверка съгласно стандарт 2010/1061: задайте програма 3 с температура 40 °C.

Този цикъл е подходящ за пране на памучни, нормално замърсени тъкани и е най-ефективен от гледна точка на комбиниран разход на енергия и вода, подходящ е за дрехи, които могат да се перат на 40°C.

За всички Test Institutes:

2) Дълга програма за памук; задайте програма 3 с температура 40 °C.

3) Дълга програма за Синтетични; задайте програма 4 с температура 40 °C.

Sport Intensive (програма 12) разработена е за пране на тъкани на силно замърсени спортни дрехи (анцузи, панталони, др.); за постигане на по-добри резултати се препоръчва да не се надвишава максималното натоварване, указано в таблицата „Таблица с програмите“.

Sport Light (програма 13) разработена е за пране на тъкани на леко замърсено спортно облекло (анцузи, панталони, др.); за постигане на по-добри резултати се препоръчва да не се надвишава максималното натоварване, указано в „Таблица с програмите“. Препоръчва се да се използва течен перилен препарат в доза, подходяща за половин зареждане.

Sport Shoes (програма 14) разработена е за пране на спортни обувки; за постигане на по-добри резултати да не се перат повече от 2 чифта.

Програмите за 20° (20°Zone) предлагат добър резултат от изпирането при ниска температура, позволявайки по-ниско потребление на електроенергия, като с това допринасят за опазването на околната среда и икономическата ефективност. Програмите за 20° отговарят на всички изисквания:

Стандартна програма за памук при 20°C (програма 6) е идеална за замърсено пране от памучна тъкан. Добрите резултати включително при изпиране със студена вода, в сравнение с тези след пране при 40°, са гарантирани от механичното действие с промяна на скоростта, многократно и често достигащо до пикови стойности.

Light Mix (програма 7) е идеална за средно замърсено смесено пране (памук и синтетика). Добрите резултати, включително при изпиране със студена вода, са гарантирани от механичното действие с промяна на скоростта на определени интервали с не голяма продължителност.

20' Refresh (програма 8) е идеална програма за освежаване и изпиране на леко замърсено пране за кратко време.

Той трае само 20 минути и по този начин пести енергия и време. Можете да перете едновременно тъкани от различен вид (с изключение на вълна и коприна) с максимално тегло до 1,5 кг.

Задаване на температурата

Завъртайки ключа ТЕМПЕРАТУРА, се задава температурата на пране (вж. Таблица на програмите).

Температурата може да се понижи до пране със студена вода (❄).

Пералнята автоматично ще попречи да се зададе температура, която е по-висока от максималната температура, предвидена за всяка програма.

! Изключение: с избиране на програма 2 температурата може да се повиши до 90°.

Функции

Допълните функции за пране, предвидени в пералната машина, дават възможност за постигане на желаното бяло и чисто пране:

За активиране на възможните функции;

1. натиснете бутона, съответстващ на желаната функция;
2. светването на съответния индикатор показва, че функцията е избрана.

Бележка:

- Ако избраната функция не е съвместима със зададената програма, съответният светлинен индикатор ще мига и функцията няма да се активира.
- Ако избраната функция не е съвместима с друга предварително зададена, светлинният индикатор, съответстващ на първата избрана функция, мига и се активира само втората, като индикаторът на активираната функция светва.

Еco Time

С избирането на тази опция механичните движения, температурата и водата са оптимизирани за пране с намалено зареждане на леко замърсени памучни и синтетични дрехи (вж. „Таблица с програмите“). С “Еco Time” може да се пере за по-кратко време, с намален разход на вода и енергия. Препоръчва се да се използва доза течен перилен препарат, подходяща за количеството на заредения товар.

Energy Saver

Функцията Energy Saver допринася за ограничаване разхода на електроенергия, като не подгрява водата, използвана за измиване на барабана – предимство за околната среда и за сметката за електроенергия. На практика подобрената работа и оптимизираният разход на вода гарантират отлични резултати за същата средна продължителност на стандартния цикъл на изпиране. За постигане на по-добри резултати използвайте течен перилен препарат.



Намалява скоростта на центрофугиране.

Отложен Старт

Забавя пускането на машината до 12 часа.

Натиснете многократно бутона, докато светне индикаторът, съответстващ на желаната стойност за време на забавяне. При петото натискане на бутона функцията няма да е активна.

Забележка: След като веднъж е натиснат бутона START/PAUSE, времето за отлагане на старта може да се промени само с намаляване, като се стигне до пускане на избраната програма.

Перилни препарати и дрехи за пране

BG

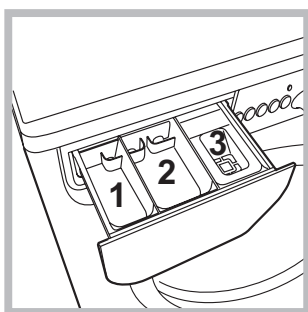
Чекмедже за перилните препарати

Добрият резултат от прането зависи и от правилното дозиране на перилните препарати. с предозиране не се пере по-ефикасно, а това води до отлагане на налепи по вътрешната страна на пералната машина и до замърсяване на околната среда.

! Не използвайте препарати за ръчно пране, защото образуват много пяна.

! Използвайте прахообразни перилни препарати за бели памучни тъкани за предпране и за пране при температура над 60°C.

! Уверете се, че следват указанията, посочени върху опаковката на перилния препарат.



Изтеглете чекмеджето за перилните препарати и изсипете праха за пране и допълните препарати по следния начин.

отделение 1: Препарат за предпране (на прах)

отделение 2: Препарат за пране (на прах или течен)

Течният препарат се изсипва преди включването на машината.

отделение 3: Допълнителни препарати (омекотител и др.)

Омекотителят не трябва да излиза извън решетката.

Подготвяне на прането

- Разпределете прането съобразно:
 - типа на тъканите/символа върху етикета.
 - цветовете: отделете цветните от белите дрехи.
- Изпразнете джобовете и проверете копчетата.
- Не надвишавайте указаните стойности в „Таблица с програмите“, отнасящи се за теглото на сухото пране.


Колко тежат дрехите за пране?

- 1 чаршаф 400-500 г
- 1 калъфка 150-200 г
- 1 покривка 400-500 г
- 1 хавлия 900-1200 г
- 1 кърпа 150-250 г

Специфично пране

Коприна: използвайте специалната програма **9** за пране на всички дрехи от коприна. За деликатните тъкани се препоръчва използването на специален вид перилен препарат.

Пердета: препоръчва се да се сгънат и поставят в доставената торбичка. Използвайте програма **9**.

Вълнени тъкани: С програма **10** е възможно да се перат в пералня всякакви вълнени дрехи, също и тези с етикет “само за ръчно пране” . За постигане на по-добри резултати използвайте специален перилен препарат и не надвишавайте 1,5 kg пране.

Jeans: преди пране обърнете дрехите и използвайте само течен перилен препарат. Използвайте програма **11**.

Система за измерване на товара

Преди всяко центрофугиране, с цел избягване на прекалени вибрации и за равномерно разпределяне на товара, барабанът се завърта с малко по-висока от тази при прането скорост. Ако след направените последователни опити товарът все още не е перфектно разпределен, машината извършва центрофугиране при скорост, по-ниска от предвидената. При наличие на прекален дебалансиране пералнята извършва разпределението вместо центрофугата. За улесняване на по-доброто разпределение на товара и правилното му балансиране се препоръчва да се смесват дрехи за пране с големи и малки размери.

Проблеми и мерки за отстраняването им

Възможно е пералната машина да откаже да работи. Преди да се обадите в сервиза за техническа поддръжка и ремонт (вж. “Сервизно обслужване”), проверете дали не става въпрос за лесно решим проблем, като си помогнете със следващия списък.

Проблеми:

Възможни причини / Мерки за отстраняването им:

Пералната машина не се включва.

- Щепселът не е включен към електрически контакт или не е добре включен, за да прави контакт.
- Няма ток къщи.

Цикълът на изпиране не започва.

- Люкът не е затворен добре.
- Бутонът ON/OFF не е бил натиснат.
- Бутонът START/PAUSE не е бил натиснат.
- Кранът за вода не е отворен.
- Зададено е забавяне, което се е насложило върху времето за пускане (вж. “Персонализираня”).

Пералната машина не се пълни с вода (бързо мига светлинният индикатор за първата фаза на пране).

- Маркучът за студената вода не е свързан към крана.
- Маркучът е прегънат.
- Кранът за вода не е отворен.
- Няма вода по водопроводната мрежа.
- Налягането е недостатъчно.
- Бутонът START/PAUSE не е бил натиснат.

Пералнята непрекъснато се пълни и източва.

- Маркучът за мръсната вода не е монтиран между 65 и 100 см от земята (вж. “Монтиране”).
 - Краят на маркуча за мръсната вода е потопен във вода (вж. “Монтиране”).
 - Канализационната тръба в стената няма отдушник.
- Ако след тези проверки проблемът не се реши, затворете крана за водата, изключете пералната машина и позвънете в сервиза. Ако жилището ви се намира на последните етажи на сградата, налягането на студената вода може да е ниско, поради което пералната машина непрекъснато се пълни и източва. За избягване на това неудобство в търговската мрежа се предлагат подходящи възвратни клапани.

Пералната не се източва или не центрофугира.

- Програмата не предвижда източване: с някои програми трябва да се извършва ръчно.
- Маркучът за мръсната вода е притиснат (вж. “Монтиране”).
- Канализационната тръба е запушена.

Пералната вибрира много по време на центрофугиране.

- При монтажа барабанът не е бил отблокиран правилно (вж. “Монтиране”).
- Пералната машина не е нивелирана (вж. “Монтиране”).
- Пералната машина е притисната между мебели и стена (вж. “Монтиране”).

Пералната има теч.

- Маркучът за студената вода не е добре свързан (вж. “Монтиране”).
- Чекмеджето за перилните препарати е запушено (за почистването му вж. “Поддръжка и почистване”).
- Маркучът за мръсната вода не е фиксиран добре (вж. “Монтиране”).

Светлинните индикатори на “опциите” и светлинният индикатор на “START/PAUSE” мигат и един от светлинните индикатори на “текуща фаза от програмата” и на “блокиран люк” светят постоянно.

- Изключете машината и извадете щепсела от контакта, изчакайте около 1 минута и я включете отново. Ако неизправността не може да се отстрани, потърсете услугите на Сервиза.

Образува се твърде много пяна.

- Перилният препарат не е за автоматична перална (трябва да има надпис “за автоматична перална”, “за пране на ръка и за автоматична перална” или подобен надпис).
- Дозирането е било твърде голямо.

Преди да се свържете с техническия сервиз:

- Проверете дали можете да решите сами проблема (вж. "Проблеми и мерки за отстраняването им");
- Включете отново програмата, за да проверите дали неизправността е отстранена;
- В противен случай се обърнете към оторизирания технически сервиз на телефонния номер, указан на гаранционната карта.

! Никога не ползвайте услугите на неоторизирани техници.

Съобщете:

- типа на проблема;
- модела на машината (Mod.);
- серийния номер (S/N).

Тази информация се намира на фабричната табелка, разположена на задната страна на пералната машина и в предната част, след като се отвори люкът.

ДЕЛЕГИРАН РЕГЛАМЕНТ (ЕС) № 1061/2010 НА КОМИСИЯТА	
Марка	INDESIT
Модел	IWB 51251 C ECO EU
Капацитет на памучно пране в кг	5
Енергиен клас от A+++ (ниска консумация) до G (висока консумация)	A+
Годишна консумация на енергия (kWh) ¹⁾	169
Консумация на енергия при стандартна програма памук 60°C при пълно зареждане в kWh ²⁾	0.852
Консумация на енергия при стандартна програма памук 60°C при частично зареждане в kWh ²⁾	0.673
Консумация на енергия при стандартна програма памук 40°C при частично зареждане в kWh ²⁾	0.592
Консумация на мощност (W) при режим в готовност	0,5
Консумация на мощност (W) при режим на работа	8
Годишна консумация на вода в литри ³⁾	7800
Клас на изсушаване от G (ниска ефективност) до A (висока ефективност)	B
Максимални обороти на центрофугата ⁴⁾	1200
Съдържание на остатъчна влажност ⁵⁾	53.0%
Продължителност в минути на стандартна програма памук 60 °C при пълно зареждане	165
Продължителност в минути на стандартна програма памук 60 °C при частично зареждане	135
Продължителност в минути на стандартна програма памук 40 °C при частично зареждане	130
Продължителност в минути при преминаване от работен режим в режим на изчакване	30
Съдържание на остатъчна влажност ⁶⁾	62
Ниво на шум в dB(A) re 1 pW при центрофугиране ⁶⁾	80
Модел за вграждане	

¹⁾ Информацията на енергийния стикер и описанието на продукта се отнася за стандартна програма памук 60°C при пълно и частично зареждане и стандартна програма памук 40°C при частично зареждане. Стандартните програми памук 60°C и 40°C са подходящи за пране на нормално замърсени памучни тъкани и са най-ефективни по отношение консумацията на енергия и вода. Частичното зареждане е половината от максималния капацитет на пране.

²⁾ Базирано на 220 стандартни цикъла на пране на памучни тъкани при 60°C и 40°C при пълно и частично зареждане и при консумация на нисък режим на мощност. Реалната консумация на енергия зависи от това как се използва уреда.

³⁾ Базирано на 220 стандартни цикъла на пране на памучни тъкани при 60°C и 40°C при пълно и частично зареждане. Реалната консумация на вода зависи от това как се използва уреда.

⁴⁾ По-ниската стойност между стандартни програми 60 °C при пълно и частично зареждане или 40°C при частично зареждане.

⁵⁾ По-високата стойност получена при програми памук 60 °C при пълно или частично зареждане или 40°C при частично зареждане.

⁶⁾ Базирано на фазите на пране и центрофугиране за стандартна програма памук 60°C при пълно зареждане.

Üretici Firma:**Indesit Company Beyaz Eşya****PAZARLAMA A.Ş.****Balmumcu Cad. Karahasan****Sok.****No: 11, 34349– Balmumcu****Beşiktaş – İstanbul****Tel: (0212) 355 53 00**