

IMPORTANT SAFETY INFORMATION

Your safety and the safety of others are very important.

This manual and the appliance itself provide important safety messages, to be read and observed at all times.



This is the safety alert symbol, pertaining to safety, which alerts users to potential hazards to themselves and others. All safety messages will follow the safety alert symbol and either the terms:



DANGER

Indicates a hazardous situation which, if not avoided, will cause serious injury.



WARNING

Indicates a hazardous situation which, if not avoided, could cause serious injury.

All safety messages will tell you what the potential hazard is, tell you how to reduce the chance of injury, and tell you what can happen if the instructions are not followed.

- The appliance must be disconnected from the power supply before carrying out any installation work.
- Installation and maintenance must be carried out by a qualified technician, in compliance with the manufacturer's instructions and local safety regulations. Do not repair or replace any part of the appliance unless specifically stated in the user manual.



WARNING

If the information in this manual is not followed exactly, a fire or explosion may result causing property damage or injury.

- Do not store or use gasoline or other flammable vapors and liquids in the vicinity of this appliance.

WHAT TO DO IF YOU SMELL GAS:

- Do not try to light any appliance.
- Do not touch any electrical switch.
- Do not use any phone in your building.
- Immediately call your gas supplier from a neighbor's phone. Follow the gas supplier's instructions.
- If you cannot reach your gas supplier, call the fire department.
- Installation and service must be performed by a qualified installer, service agency or the gas supplier.

- Install a separating panel under the appliance
- Use appliance in well ventilated rooms only.

The electrical and gas connections must comply with local regulations.

- Regulations require that the appliance is grounded.
- The power cable must be long enough for connecting the appliance, once fitted in its housing, to the power supply
- Use only flexible or rigid metal hose for gas connection.
- Do not place metal objects such as kitchen utensils (knives, forks, spoons...), lids or other similar items on the cooking zone as they can become very hot.
- When the hob is installed, provide a multi-pole circuit breaker with a contact separation of at least 3 mm.
- This appliance complies with current safety regulations and electromagnetic compatibility regulations. Nevertheless, people with a pacemaker should not use this appliance. It is impossible to guarantee that all such devices found on the market comply with current safety regulations and electromagnetic compatibility regulations, and that dangerous interference will not occur. It is also possible that people with other types of devices, such as a hearing aid, could experience some discomfort.
- Do not use multiple plug adapters or extension cords.
- Do not pull the power supply cord in order to unplug the appliance.
- The electrical components must not be accessible to the user after installation.
- Do not touch the appliance with any wet part of the body and do not operate it when barefoot.
- This hob is designed solely for household use for cooking food. NEVER use this appliance as a space heater to heat or warm the room. Doing so may result in carbon monoxide poisoning and overheating of the hob. The manufacturer declines all responsibility for inappropriate use or incorrect setting of the controls.
- The appliance is not intended for use by persons (including children) with reduced physical, sensory or mental capabilities, or with lack of experience and knowledge of the appliance, unless supervised or previously instructed in its use by those responsible for their safety.
- Do not place flammable materials in or near the appliance: a fire may break out if the appliance is inadvertently switched on.
- Do not heat or cook sealed jars or containers in the appliance. The pressure that builds up inside might cause the jar to explode, damaging the appliance.
- Do not use containers made of synthetic materials.

SAVE THESE INSTRUCTIONS

- Overheated oils and fats catch fire easily. Always remain vigilant when cooking foods rich in fat and oil.
- Never leave the appliance unattended during food drying.
If alcoholic beverages are used when cooking foods (e.g. rum, cognac, wine), remember that alcohol evaporates at high temperatures. As a result, there is a risk that vapours released by the alcohol may catch fire upon coming into contact with the heating element.
- Keep the packaging materials out of the reach of children, as they are potential hazard.
- Before cleaning or maintenance wait for hob to cool down.

NOTES:

- Improper use of the grids can result in damage to the hob surface. Do not position the grids upside down or drag them across the hob.
- If the hob has a glass ceramic top, do not use:
 - Cast iron griddles or terracotta pots and pans
 - Heat diffusers (e.g. metallic mesh)
 - Two cookers for the same pot
- In case of prolonged use, additional ventilation may be needed (opening a window or increasing the extraction force of the hood).
- This appliance is not intended for use by people (including children) with reduced physical, sensory or mental capabilities or lack of experience and knowledge unless they have been given initial supervision or instruction concerning use of the appliance by a person responsible for their safety.
- Keep children away from the hob when it is in use and do not let them play with the controls or any other appliance parts.

ELECTRICAL CONNECTION


WARNING

Installation must be carried out by a qualified electrician who is fully aware of current safety and installation regulations. The manufacturer declines all liability for injury to persons or animals and for damage to property resulting from failure to observe the regulations provided in this chapter.


Electrical connections

- Hob electrical connection must be made before connecting the appliance to the electricity supply.
- Electrical connection must be carried out in compliance with the regulations of the local electric utility company.
- Make sure that the voltage indicated on the rating plate on the underside of the appliance corresponds to the domestic power supply voltage.
- Regulations require that the appliance is earthed: use conductors (including the earth conductor) of the appropriate size only.
- For electrical connection, use an H05 RR-F type cable as specified in the table "Power supply voltage".

Connecting to the terminal board

Connect the yellow/green earth wire to the terminal with the symbol . This wire must be longer than the other wires.



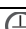


1. Remove the terminal block cover (A), undoing the screw and inserting the cover in the terminal block hinge (B).
2. Strip approx. 70 mm of sheath from the power supply cable.
3. Strip approx. 10 mm of sheath from the wires. Insert the power supply cable into the cable clamp and connect the wires to the terminal board as indicated in the diagram next to the terminal board itself.
4. Secure the power cable with the cable clamp.
5. Close the cover (C) and screw it on the terminal block with the removed screw - point (1).


 Each time the cooktop is connected to the mains it carries out an automatic check which lasts several seconds.

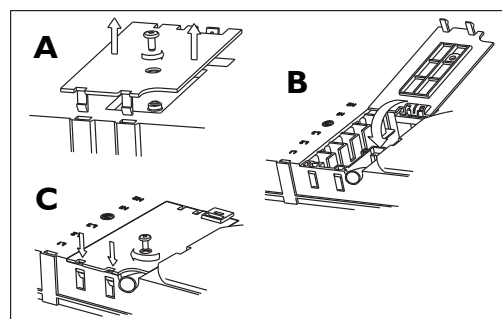
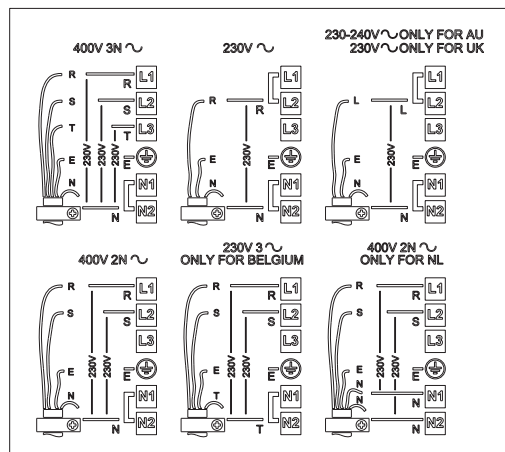
WARNING

The power supply cable must be long enough to allow the hob to be removed from the worktop and must be positioned so as to avoid damage or overheating caused by contact with the base of the hob itself. Do not use extension leads.

Power supply voltage

Wires	Amount x size
230V ~ + 	3 X 2.5 mm ²
230-240V ~ + 	3 X 2.5 mm ²
230V 3 ~ + 	4 X 1.5 mm ²
400V 3N ~ + 	5 X 1.5 mm ²
400V 2N ~ + 	4 x 1.5 mm ²

 If the hob already has a power cable, follow the instructions given on the label attached to the cable. Connect the appliance to the electricity supply by means of an all-pole disconnect switch with minimum contact gap of 3 mm.

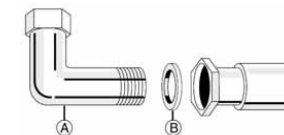


GAS CONNECTION

- The gas supply system must comply with local regulations.
- You can find specific local regulations for some countries in the paragraph "Reference to Local Regulations". If no information concerning your country is given, please ask details to your installer.
- The connection of the hob to the gas pipe network or gas cylinder must be made by means of a rigid copper or steel pipe with fittings complying with local regulations, or by means of a continuous-surface stainless steel hose complying with local regulations. The maximum length of the hose is 2 linear metres.
- Before connecting the tube to the elbow fitting (A), interpose the washer (B) supplied, in compliance with EN 549.

NOTE: if a stainless steel hose is used, it must be installed so as not to touch any mobile part of the furniture. It must pass through an area where there are no obstructions and where it is possible to inspect it on all its length.

- After connection to the gas supply, check for leaks with soapy water.



INSTALLATION AND FIXING

WARNING

The installer is responsible for any damage or injury resulting from incorrect installation.

To guarantee correct operation, the appliance must be installed on a perfectly flat surface. The worktop must be 38 -60 mm thick. If necessary, cut the kitchen unit and worktop to fit before installing the hob. Clean the cutout of any chips that could compromise appliance operation.

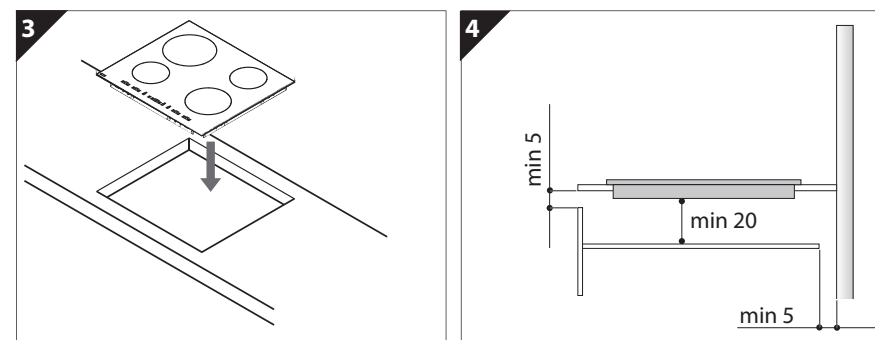
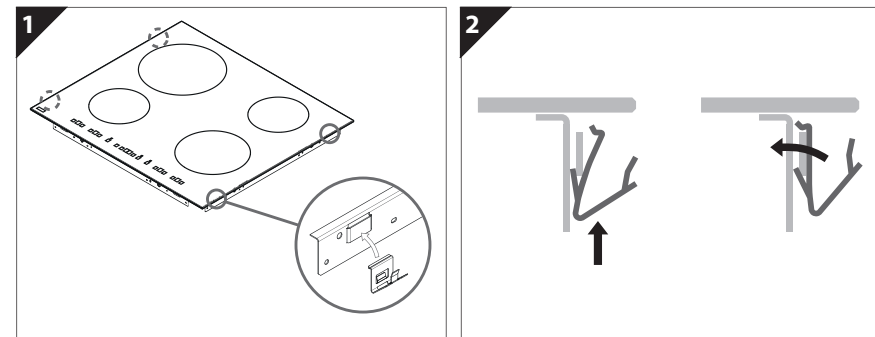
Install a separating panel under the hob (no separation panel is needed in case of oven under the hob)

- Before installation, make sure that:
 - the local gas delivery conditions (nature and pressure) are compatible with the settings of the hob (see the rating plate and injector table).
 - The outer surfaces of the furniture or appliances adjacent to the hob are heat resistant according to local regulations.
 - Combustion products are discharged outdoors through specific hoods or wall and/or window mounted electrical fans.
 - Continuous natural air circulation is ensured through a clear opening in a wall of at least 100 cm². This wall opening must be:

- a) permanent and in a wall to the outside of the room to be vented;
- b) made in such a way that it cannot be obstructed from the inside or outside (not even accidentally);
- c) protected by plastic grids, metallic mesh, etc., taking care not to reduce the air vent effective area mentioned above;
- d) located near floor level and positioned so as not to interfere with the operation of the exhaust system

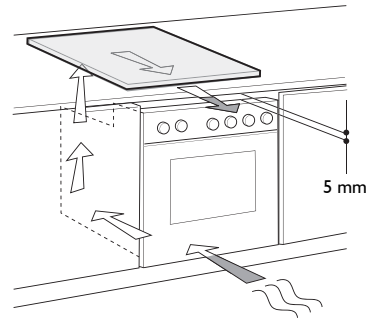
Assembly pro fit

1. Open the bag with the 4 springs provided inside the product packaging.
2. Fit the springs in the seats provided on the sides of the hob, making sure they are securely attached (they must CLICK into place, fig. 2).
3. Fit the hob into the opening made in the worktop.



UNDERCOUNTER OVEN INSTALLATION:

- If an oven (which must be of our manufacture) is to be installed under the hob, ensure it is equipped with a cooling system and observe the distances given in the figure to the side.
- There must be nothing between the cooktop and the oven (cross rails, panels, brackets, etc.).



ADJUSTMENT TO DIFFERENT TYPES OF GAS



WARNING

This operation must be performed by a qualified technician.

If a different type of gas to that specified on the dataplate and on the orange sticker on the back of the hob is used, the injectors must be replaced.

Remove the orange sticker and keep it with the instructions booklet.

Use pressure regulators suitable for the gas pressure indicated in the Product Description Sheet.

- The injectors must be changed by the After-Sales Service or a qualified technician.
- Nozzles not supplied with the appliance must be ordered from After Sales Service.
- Adjust the minimum setting of the taps.

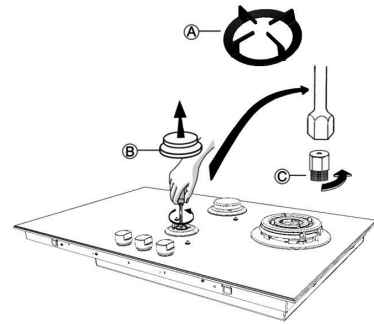
Note: when liquid petroleum gas is used (G30/G31), the minimum gas setting screw must be tightened as far as it will go.

Should you experience difficulty in turning the burners knobs, please contact the After Sales Service for the replacement of the burner tap if found to be faulty.

REPLACING THE INJECTORS (see the injector table in the Product Description Sheet)

- Remove grids **(A)**.
- Extract burners **(B)**.
- Using a socket spanner of the appropriate size unscrew the injector **(C)**.
- Replace it with one suitable for the new type of gas.

Before installing the hob, remember to affix the gas calibration plate supplied with the injectors in such a way that it covers the existing information relating to gas calibration.



ADJUSTING MINIMUM GAS SETTING OF TAPS

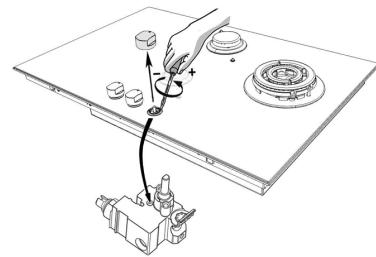
To ensure that the minimum setting is correctly adjusted, remove the knob and proceed as follows:

- tighten the screw to reduce the height of the flame (-)
- undo the screw to increase the height of the flame (+)

The minimum flame adjustment must be performed with the tap in the minimum position (small flame).

- The primary air of the burners does not need to be adjusted.
- At this stage, light up the burners and turn the knobs from max position to minimum position to check flame stability.

After adjusting, restore the seals with sealing wax or equivalent material.



MAINTENANCE

Care and maintenance

Clean the hob after each use in order to avoid damaging the surface and to prevent the formation of baked-on deposits which are difficult to remove. Before cleaning, make sure the cooking zones are switched off and that the residual heat indicator ("H") is not displayed.



WARNING

- Disconnect power before servicing
- DO NOT clean the hob with a steam cleaner

NOTE: Periodically check for dust under the appliance, near the cooling air inlet or the outlet openings. This could hinder the ventilation and cooling of the electronic module and decrease the effectiveness of the hob.

To clean the hob, proceed as follows:

1. use a soft clean cloth, absorbent kitchen wipes or a proprietary cleaner for glass ceramic hobs. Do not use abrasive sponges and/or metal scouring pads.
2. Food spills should be cleaned off before they bake onto the glass ceramic surface. Sugar and foods with a high sugar content damage the glass ceramic surface and must be immediately removed using a scraper for glass. Glass scrapers must be handled with care.
3. Remove any stubborn food residues with a scraper or proprietary detergents.
4. Salt, sugar and sand can scratch the glass ceramic hob: clean up any such spills on the hob immediately.

CLEANING THE HOB PARTS

- Grids, burner caps and burners can be removed to be cleaned.
 - Clean them by hand with warm water and non-abrasive detergent, removing any food residues and checking that none of the burner openings is clogged.
 - Rinse and dry
 - Refit burners and burner caps correctly in the respective housings.
 - When replacing the grids, make sure that the panstand area is aligned with the burner and that the burner feet are fitted in the respective housings on the hob surface.
 - Models equipped with electrical ignition plugs and safety device require thorough cleaning of the plug end in order to ensure correct operation. Check these items frequently, and if necessary, clean them with a damp cloth.
- Any baked-on food should be removed with a toothpick or needle.

Note: to avoid damaging the electric ignition device, do not use it when the burners are not in their housing.

TROUBLESHOOTING GUIDE (GAS BURNERS)

If the hob will not operate correctly. Before calling the After-Sales Service, refer to the Troubleshooting Guide to determine the problem.

1. The burner fails to ignite or the flame is not even

Check that:

- The gas or electrical supplies are not shut off and especially that the gas supply tap is open.
- The gas cylinder (liquid gas) is not empty.
- The burner openings are not clogged.
- The plug end is not dirty.
- All the burner parts have been positioned correctly.
- There are no draughts near the hob.

2. The burner does not stay lit

Check that:

- When lighting the burner, the knob has been pressed for enough time to activate the protection device.
- The burner openings are not clogged near the thermocouple.
- The end of the safety device is not dirty.
- The minimum gas setting is correct (see relevant paragraph).

3. The containers are not stable

Check that:

- The bottom of the container is perfectly flat
- The container is centered on the burner.
- The grids have not been exchanged or positioned incorrectly.

TROUBLESHOOTING GUIDE (INDUCTION ZONE)

- Before contacting After-sales Service:
- read and follow the instructions given in the section "Operating instructions".
- Connect the hob to the electricity supply and check that the supply has not been shut off.
- Clean the hob and dry it thoroughly.
- If, when the hob is switched on, alphanumeric codes appear on the display, consult the following table for instructions.

ERROR CODE	DESCRIPTION	POSSIBLE CAUSES	REMEDY
The hob switches off and after 30 seconds emits an acoustic signal every 4 seconds	Continuous pressure on control panel area	Water or utensils on control panel	Clean the control panel
C81, C82	The control panel switches off because of excessively high temperatures	The internal temperature of electronic parts is too high	Wait for the hob to cool down before using it again
F42 or F43	The connection voltage is wrong	The sensor detects a discrepancy between the appliance voltage and that of the mains supply	Disconnect the hob from the mains and check the electrical connection
F12, F21, F25, F36, F37, F40, F47, F56, F58, F60	Call the After-Sales Service and specify the error code		

WARNING

If you are unable to turn the glass-ceramic hob off after using it, disconnect it immediately from the power supply.

After-sales Service

Before contacting After-sales Service:

- Try to solve the problem (see "Troubleshooting guide (induction zone)").
- Switch the appliance off, wait 30 seconds then switch it on again, to see if the fault persists.

If after the above checks the fault persists, contact the nearest After-sales Service.

Always provide:

- a brief description of the fault;
- the exact type and model;
- the service number (number after the word Service on the rating plate. "See figure in the next page") is located on the underside of the cooktop or on the warranty booklet;
- your complete address and phone number.

If any repairs are required, please contact an authorized After-sales Service as indicated in the warranty.

WARNING

Failure to comply with these instructions may compromise the safety and quality of the product.

RATING PLATE



USER ADVICE


Energy saving tips

For optimum results, observe the following advice:

- Use pots and pans whose bottom diameter is equal to that of the cooking zone.
- Only use flat-bottomed pots and pans.
- If possible, keep pot lids on when cooking.
- Cook vegetables, potatoes, etc. with little water in order to cut down cooking time.
- Use a pressure cooker to save even more energy and time.
- Make sure you place the pot or pan in the centre of the cooking zone outlined on the hob.


Safeguarding the environment.

Packaging

The packaging material is 100% recyclable and marked with the recycling symbol 

Electrical Appliances.

This appliance is marked in compliance with European Directive 2002/96/EC on Waste Electrical and Electronic Equipment (WEEE). By ensuring that this appliance is scrapped suitably, you can help prevent potentially damaging consequences for the environment and health.

- The symbol  on the appliance, or on documentation enclosed with the appliance, indicates that this product must not be treated as household waste, but must be delivered to the nearest collection centre for the recycling of electrical and electronic appliances. Disposal must be carried out in accordance with local environmental regulations for waste disposal. For further information on the treatment, recovery and recycling of this appliance, contact your competent local authority, the collection service for household waste.

Declaration of Conformity

- This hob is suitable for contact with foodstuffs and complies with EEC (CE) regulation n. 1935/2004.
- The appliances are designed solely for use as cooking appliances. Any other use (e.g. for room heating) is considered as improper use and potentially dangerous.
- The appliances are designed, built and sold in compliance with:
 - safety objectives of the "Low Voltage" Directive 2006/95/EC (which replaces 73/23/CEE and subsequent amendments);
 - Protection requirements of EMC Directive 2004/108/EC "Electromagnetic compatibility";
 - the requirements of Directive 93/68/EEC;
 - safety requirements of EEC Directive "Gas" 30/396/EEC.

5019 619 01736