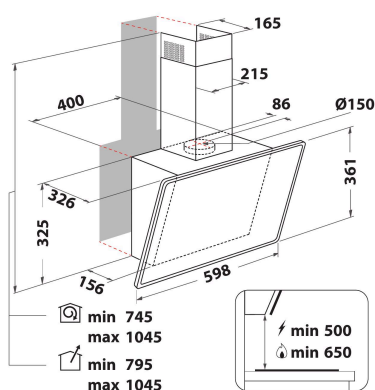


IHVP 6.6 LM K

12NC: F095212

GTIN (EAN) code: 8007842952124

 **INDESIT**



MAIN FEATURES

Product group	Hood
Colour body	Black
Material body	Metal / glass
Colour chimney	-
Material chimney	-
Typology	Wall-mounted
Installation type	Wall-mounted
Type of control	Mechanical
Type of control settings	-
Decor panel options	-
Motor location	Integrated motor in hood body
Operating Mode	Convertible
Electrical connection rating (W)	262
Current (A)	1,1
Voltage (V)	220-240
Frequency (Hz)	50/60
Length of Electrical Supply Cord (cm)	120
Plug type	No
Chimney height (mm)	-
Height of product, without chimney (mm)	0
Height of the product	360
Width of the product	598
Depth of the product	326
Minimum niche height	0
Minimum niche width	0
Niche depth	0
Net weight (kg)	12

TECHNICAL FEATURES

Type of manual control devices	Buttons
Type of automatic control devices	-
Number of motors	1
Total power of the motors (W)	260
Number of speed settings: boost option availability	3
Boost presence	No
Maximum output air extraction (m ³ /h)	647
Boost position air extraction (m ³ /h)	0
Maximum output recirculating air (m ³ /h)	432
Boost position output recirculating (m ³ /h)	0
Light Control Type	On/Off
Number of lights	2
Type of lamps used	LED
Total power of the lamps (W)	2
Diameter of air outlet (mm)	150
No-return airflow flap	Yes
Grease filter material	Washable aluminium
Odour filter	No

PERFORMANCES

Sound power at min. speed (2010/30/EU)	59
Sound power at max. speed (2010/30/EU)	70
Noise level with boost position (dB(A) re 1 pW)	0