

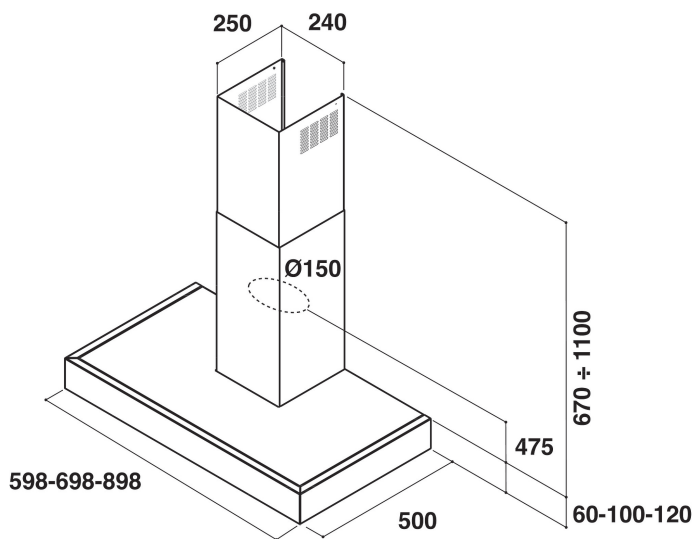
# AKR 799 IXL

12NC: 857845101000

GTIN (EAN) code: 8003437212680

Whirlpool

SENSING THE DIFFERENCE



- 6TH Sense technology
- Maximum noise level 65 dBA
- Noise Level (min. - max.): 48-61 dBA
- Air Flow (min. - max.): 244, 434, booster 573 m<sup>3</sup>/h
- Maximum extraction rate: 434 (m<sup>3</sup>/h)
- Energy class A
- Speeds: 4 + Booster
- 2 LED, 5 W lamps
- 1 x 220 W motor
- Electronic Touch control
- 3 Washable stainless steel filters
- Grease Filtering Efficiency Class: G
- Lighting Efficiency Class: A
- Fluid Dynamic Efficiency Class: A
- Filter Saturation Indicator
- Operating Mode: Air extraction, Recirculating air
- Inox Finishing

## Whirlpool wall mounted cooker hood - AKR 799 IXL

This Whirlpool wall mounted Cooker Hood features: dishwasher-safe, washable stainless steel grease filters. LED lights for ideal lighting. An outstanding cooker extractor fan, ensuring a fresh, grease-free cooking environment. Between 60cm and 90cm wide appliance. New design ensuring extra silent performance.



### LED lighting

Increased energy and cost efficiency. The LED lighting system lasts 10 times longer than traditional bulbs and uses 90% less energy.



### Electronic control

Effortless control. This Whirlpool Hood includes an intuitive electronic user interface, designed to provide you with the simplest, most satisfying user experience ever.



### High efficiency motor

Efficiency first. The motor in this Whirlpool Hood is designed to provide ideal filtration, while ensuring high energy efficiency.



### 4 Speeds

Versatile performance. This Whirlpool Hood offers 4 speed options, giving you complete control over the extraction rate.



### Attractive Design

Visitors and your family alike will love the attractive design of this hood, which you can match with other Whirlpool Built-In kitchen appliances.



### Total annual energy consumption

Ideal performance, outstanding savings. Whirlpool Hoods are designed to provide exceptional results, while reducing energy costs.



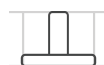
### Stainless Steel Filter

Enjoy fresh air in your kitchen, always. This Whirlpool Hood includes a stainless steel purifying air filter, that effectively protects your kitchen from odours and grease.



### iXelium

Long lasting shine. The revolutionary iXelium treatment protects your hood from scratches and ensures a perfect shine, always. And it's easy to clean: all you need is water and a soft cloth.



### Flexible Installation

Flexible installation options. This Whirlpool Hood can be operated in either Ducted or Recirculated mode (filter needed), so you can enjoy complete freedom when designing your kitchen.

# AKR 799 IXL

12NC: 857845101000

GTIN (EAN) code: 8003437212680

**Whirlpool**

SENSING THE DIFFERENCE

## MAIN FEATURES

Product group	Hood
Colour body	Inox
Material body	iXelium
Colour chimney	Inox
Material chimney	Stainless steel
Typology	Wall-mounted
Installation type	Wall-mounted
Type of control	Electronic
Type of control settings	-
Decor panel options	N/A
Motor location	Integrated motor in hood chimney
Operating Mode	Convertible
Electrical connection rating (W)	225
Current (A)	1
Voltage (V)	220-240
Frequency (Hz)	50
Length of Electrical Supply Cord (cm)	150
Plug type	Schuko
Chimney height (mm)	300-730
Height of product, without chimney (mm)	430
Height of the product	1160
Width of the product	898
Depth of the product	500
Minimum niche height	0
Minimum niche width	0
Niche depth	0
Net weight (kg)	19.65

## TECHNICAL FEATURES

Type of manual control devices	Touch control
Type of automatic control devices	-
Number of motors	1
Total power of the motors (W)	220
Number of speed settings: boost option availability	4
Boost presence	Yes
Maximum output air extraction (m <sup>3</sup> /h)	630
Boost position air extraction (m <sup>3</sup> /h)	630
Maximum output recirculating air (m <sup>3</sup> /h)	455
Boost position output recirculating (m <sup>3</sup> /h)	455
Light Control Type	On/Off
Number of lights	2
Type of lamps used	LED
Total power of the lamps (W)	5
Diameter of air outlet (mm)	150
No-return airflow flap	No
Grease filter material	Washable stainless steel
Odour filter	No

## PERFORMANCES

Sound power at min. speed (2010/30/EU)	48
Sound power at max. speed (2010/30/EU)	61
Noise level with boost position (dB(A) re 1 pW)	0

