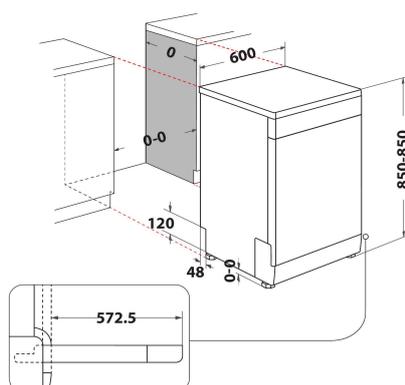


DFE 1B19 B UK

12NC: 869991589480

GTIN (EAN) code: 8050147589489

Indesit
Life proof.



MAIN FEATURES

| | |
|---------------------------------------|---------------|
| Construction type | Free-standing |
| Installation type | Free-standing |
| Type of control | Electronic |
| Type of control settings | - |
| Removable work top | Yes |
| Main colour of product | Black |
| Electrical connection rating (W) | 1900 |
| Current (A) | 13 |
| Voltage (V) | 230-240 |
| Frequency (Hz) | 50 |
| Length of Electrical Supply Cord (cm) | 130 |
| Plug type | UK |
| Length inlet hose (cm) | 155 |
| Length outlet hose (cm) | 150 |
| Adjustable feet | Yes - all |
| Height of the product | 850 |
| Width of the product | 600 |
| Depth of the product | 590 |
| Minimum niche height | 0 |
| Maximum niche height | 0 |
| Minimum niche width | 0 |
| Maximum niche width | 0 |
| Niche depth | 590 |
| Net weight (kg) | 43.1 |
| Gross weight (kg) | 44.9 |

TECHNICAL FEATURES

| | |
|---|----------------|
| Automatic programmes | No |
| Maximum temperature for water intake (°C) | 0 |
| Start delay options | One time fixed |
| Start delay time max. (h) | 8 |
| Progress indicator | - |
| Digital countdown indicator | No |
| Salt light indicator | Yes |
| Rinse aid light indicator | No |
| Safety device | Yes |
| Adjustable upper basket | Yes |
| Largest loadable dish upper basket (cm) | 0 |
| Largest loadable dish lower basket (cm) | 0 |
| Maximum number of place settings (EU 2017/1369) | 13 |
| Column installation | No |

PERFORMANCES

| | |
|---|------|
| Energy Efficiency Class (Regulation (EU) 2017/1369) | F |
| Energy Consumption for 100 cycles Eco Programme (EU 2017/1369) | 104 |
| Power consumption in standby mode (Psm) (EU 2017/1369) | 0,50 |
| Power consumption in off-mode (Po) (EU 2017/1369) | 0,00 |
| The water consumption of the eco programme in liters per cycle (EU 2017/1369) | 12,0 |
| Airborne acoustical noise emissions (EU 2017/1369) | 49 |
| Airborne acoustical noise emission class (EU 2017/1369) | C |
| Programme duration in HMM (EU 2017/1369) | 3:20 |