



EU HA7BY 9321 NFX

**GB**

English

## Operating Instructions REFRIGERATOR/FREEZER COMBINATION

### Contents

Operating Instructions, 1  
Assistance, 2  
Description of the appliance, 4  
Description of the appliance, 5  
Reversible doors, 8  
Installation, 9  
Start-up and use, 10  
Maintenance and care, 10  
Precautions and tips, 11  
Troubleshooting, 12

**IT**

Italiano

## Istruzioni per l'uso COMBINATO FRIGORIFERO/CONGELATORE

### Sommario

Istruzioni per l'uso, 1  
Assistenza, 3  
Descrizione dell'apparecchio, 5  
Descrizione dell'apparecchio, 7  
Reversibilit  apertura porte, 8  
Installazione, 17  
Avvio e utilizzo, 18  
Manutenzione e cura, 19  
Precauzioni e consigli, 19  
Anomalie e rimedi, 20

**TR**

T rk e

## Kullanım talimatları KOMBİNE SOĞUTUCU/DONDURUCU

### İ indekiler

Kullanım talimatları, 1  
Teknik Servis, 2  
Cihazın tanımı, 4  
Cihazın tanımı, 6  
Kapıların a ılıř y n n n deđiřtirilmesi, 13  
Montaj, 14  
 alıřtırma ve kullanım, 14  
Bakım ve  zen, 15  
 nlemler ve  neriler, 15  
Arızalar ve onarımlar, 16

**GB**

## Assistance

### Before calling for Assistance:

- Check if the malfunction can be solved on your own (see Troubleshooting).
- If after all the checks, the appliance still does not operate or the problem persists, call the nearest Service Centre

### Communicating:

- type of malfunction
- appliance model (Mod.)
- serial number (S/N)

This information can be found on the data plate located on the bottom left side of the refrigerator compartment.

**Never call on unauthorized technicians and always refuse spare parts which are not originals.**

servis

**444 50 10**

servis

### Üretici Firma:

Indesit Company Beyaz Eşya Sanayi ve Ticaret A.Ş.  
Organize Sanayi Bölgesi  
45030 / Manisa  
Tel: (0236) 226 15 00  
Faks: (0236) 233 16 52

### Türkiye Genel Dağıtıcısı:

Indesit Company Beyaz Eşya PAZARLAMA A.Ş.  
Balmumcu Cad. Karahasan Sok.  
No: 11, 34349 – Balmumcu Beşiktaş – İstanbul  
Tel: (0212) 355 53 00  
Faks: (0212) 212 95 59

### Satış Sonrası Hizmetler:

Indesit Company Beyaz Eşya Sanayi ve Ticaret A.Ş.  
Balmumcu Cad. Karahasan Sok.No: 11,  
34349 – Balmumcu Beşiktaş – İstanbul  
Tel: (0212) 355 53 00

**TR**

## Teknik Servis

### Teknik Servis ile irtibata geçmeden önce:

- Servise başvurmadan çözülebilecek bir arıza olup olmadığını kontrol ediniz (Arıza ve Onarım bölümüne bakınız).
- Sonucun olumsuz olması durumunda, en yakın Teknik Servis ile irtibata geçiniz.

### Aşağıdaki bilgileri bildiriniz:

- arıza tipi
- cihazın modeli (Mod.)
- seri numarası (S/N)

Bu bilgiler, soğutucu bölümü içinde aşağıda solda bulunan teknik veriler etiketi üzerinde bulunmaktadır.

**Kesinlikle sadece yetkili teknik elemanlara başvurunuz ve her zaman orijinal yedek parçaları kullanınız.**

**Cihazın ömrü 10 yıldır. (Ürünün fonksiyonunu yerine getirebilmesi için gerekli yedek parça bulundurma süresi).**

**GB** - model  
**TR** - model  
**IT** - modello

Mod. <b>RG 2330</b>	TI	Cod. <b>93139180000</b>	S/N <b>704211801</b>
240 V~	150 W	Max 15	
Total <b>340</b>	<b>75</b>	Freez. Capac	Class
Gross Bruto Brut	Gross Bruto Brut	Net Util Utilite	Gross Bruto Brut
Compr. Syst. <b>R 134 a</b>	Test Pressure <b>HiGH-235</b>	Poder de Cong <b>kg/24 h 4,0</b>	Clase <b>N</b>
Kompr. <b>kg 0,090</b>	P.S.-L <b>LOW 140</b>	Classe	
Made in Italy <b>13918</b>			

**GB** - serial number  
**TR** - seri numarası  
**IT** - numero di serie



IT

GB - model  
TR - model  
IT - modello

Mod. <b>RG 2330</b>		TI	Cod. 93139180000	S/N 704211801	
230 V	50 Hz	150 W	100 W	Fuse A	Max 15
Total	340	75		Freez. Capac	Class
Gross Bruto Brut	Gross Bruto Brut	Net Utili Utile	Gross Bruto Brut	Poder de Cong kg/24 h	4,0
Class					Classe <b>N</b>
Compr. Syst. Kompr.	R 134 a kg 0,090	Test P.S.L	Pressure HIGH-235 LOW 140	Barcode	
Made in Italy 13918					

GB - serial number  
TR - seri numarası  
IT - numero di serie

**TR**

## Cihazın tanımı

### Kontrol paneli

#### 1. ON/OFF

Ürünü çalıştırmak (her iki soğutucu ve dondurucu bölmesi) için bu düğmeye 2 saniye boyunca basmak gerekebilir. En son ayarlar ekranda görüntülenecektir. Ürünü kapatmak için bu düğmeye basılı tutun. Ürünün kapandığına dair sesli uyarı sinyali çalacaktır.

#### 2. — ve + SOĞUTUCU bölmesinin ısı ayarlaması

Soğutucu bölmesinin ısı ayarının değiştirilmesini sağlar. Gösterge panelinde da seçilen ısı derecesi görüntülenir. Bu tuşlar kullanılarak sadece soğutucu bölmesi de etkisizleştirilebilir.

#### 3. SOĞUTUCU bölmesinin gösterge paneli

Soğutucu bölümünde ayarlanan ısı derecesini veya etkisizleştirilmiş olduğunu belirtir (bu durumda gösterge paneli kapalıdır).

#### 4. — ve + DONDURUCU bölmesinin ısı ayarlaması

Dondurucu bölümünün ısı ayarının değiştirilmesini sağlar. Gösterge panelinde ayarlanan ısı derecesi görüntülenir.

#### 5. DONDURUCU bölmesinin gösterge paneli

Dondurucu bölümünde ayarlanan ısı derecesini belirtir.

#### 6. ACTIVE OXYGEN

Aktif Oksijen işlevini aktifleştirir yada pasifleştirir . Ekranda  $O_3$  görüntülenir

#### 7. SUPER FREEZE

SUPER FREEZE (hızlı dondurma) fonksiyonunu aktif ya da pasif eder. "❄️" ve SF yazısı ekranda görüntülenir.

**GB**

## Description of the appliance

### Control panel

#### 1. ON/OFF

The entire product (both the refrigerator and freezer compartments) may be switched on by pressing this button for 2 seconds. Last set values are display at screens. Press this button till the switching off of the product. A signal sound will inform the switching off of the product

#### 2. REFRIGERATOR — and + temperature adjustment

Used to modify the temperature setting of the refrigerator; confirmation corresponding to the selected temperature appears on the display.

#### 3. Refrigerator display

Shows the settled temperature for the refrigerator compartment.

#### 4. FREEZER — and + temperature adjustment

Used to modify the temperature setting of the freezer; confirmation corresponding to the selected temperature appears on the display.

#### 5. FREEZER display

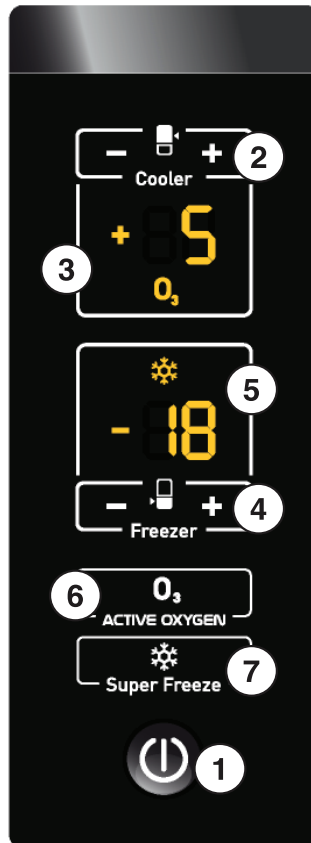
Shows the set temperature for the freezer compartment.

#### 6. ACTIVE OXYGEN

Activates or deactivates the ACTIVE OXYGEN function .will appear on the display  $O_3$

#### 7. SUPER FREEZE

Enable or disable the SUPER FREEZE function(rapid freezing). ❄️ and 'SF' appears on the freezer display.



## Descrizione dell'apparecchio

### Pannello di controllo

#### 1. ON/OFF

L'intero prodotto (sia il frigorifero e congelatore scompartimenti) può essere acceso premendo questo pulsante per 2 secondi. Ultimi valori set sono esposti presso gli schermi. Premere questo pulsante fino a commutazione off del prodotto. Un suono di segnale vi informa la commutazione off del prodotto

#### 2. Regolazione Temperatura FRIGORIFERO — e +

Consentono la modifica dell'impostazione della temperatura del frigorifero, con relativa conferma sul display della temperatura selezionata.

#### 3. Display FRIGORIFERO

Indica la temperatura impostata nel vano frigo.

#### 4. Regolazione Temperatura CONGELATORE — e +

Consentono la modifica dell'impostazione della temperatura del congelatore, con relativa conferma sul display della temperatura impostata.

#### 5. Display CONGELATORE

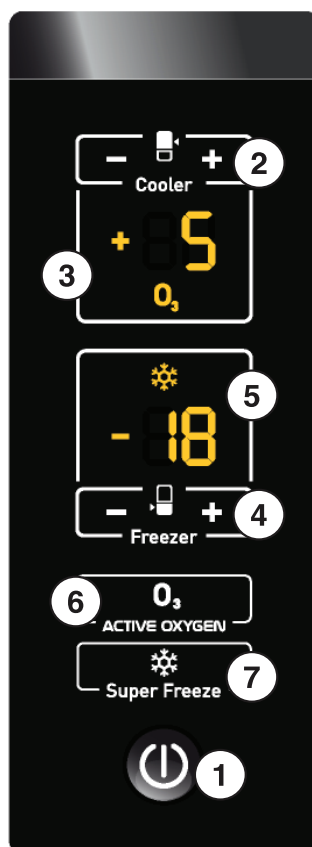
Indica la temperatura impostata nel vano congelatore.

#### 6. ACTIVE OXYGEN

Consente di attivare o disattivare la funzione **ACTIVE OXYGEN**. Sul display viene visualizzato **O<sub>3</sub>**.

#### 7. SUPER FREEZE

Abilita o disabilita la funzione SUPER FREEZE (congelamento rapido).  e "SF" vengono visualizzati sul display frigorifero



**GB**

## Description of the appliance

### Overall view

The instructions contained in this manual are applicable to different model refrigerators. The diagrams may not directly represent the appliance purchased. For more complex features, consult the following pages.

- 1 Levelling **FEET**
- 2 **FREEZER** and **STORAGE** compartment
- 3 **BOTTLE** shelf\*
- 4 **Food Care Zone / Food Care Zone 0°C / Safe Defrost\***
- 5 **FRUIT** and **VEGETABLE** bin\*
- 6 **ACTIVE OXYGEN**
- 7 **WINE RACK\***
- 8 Removable multipurpose **SHELVES\***

\* Varies by number and/or position, available only on certain models.

**TR**

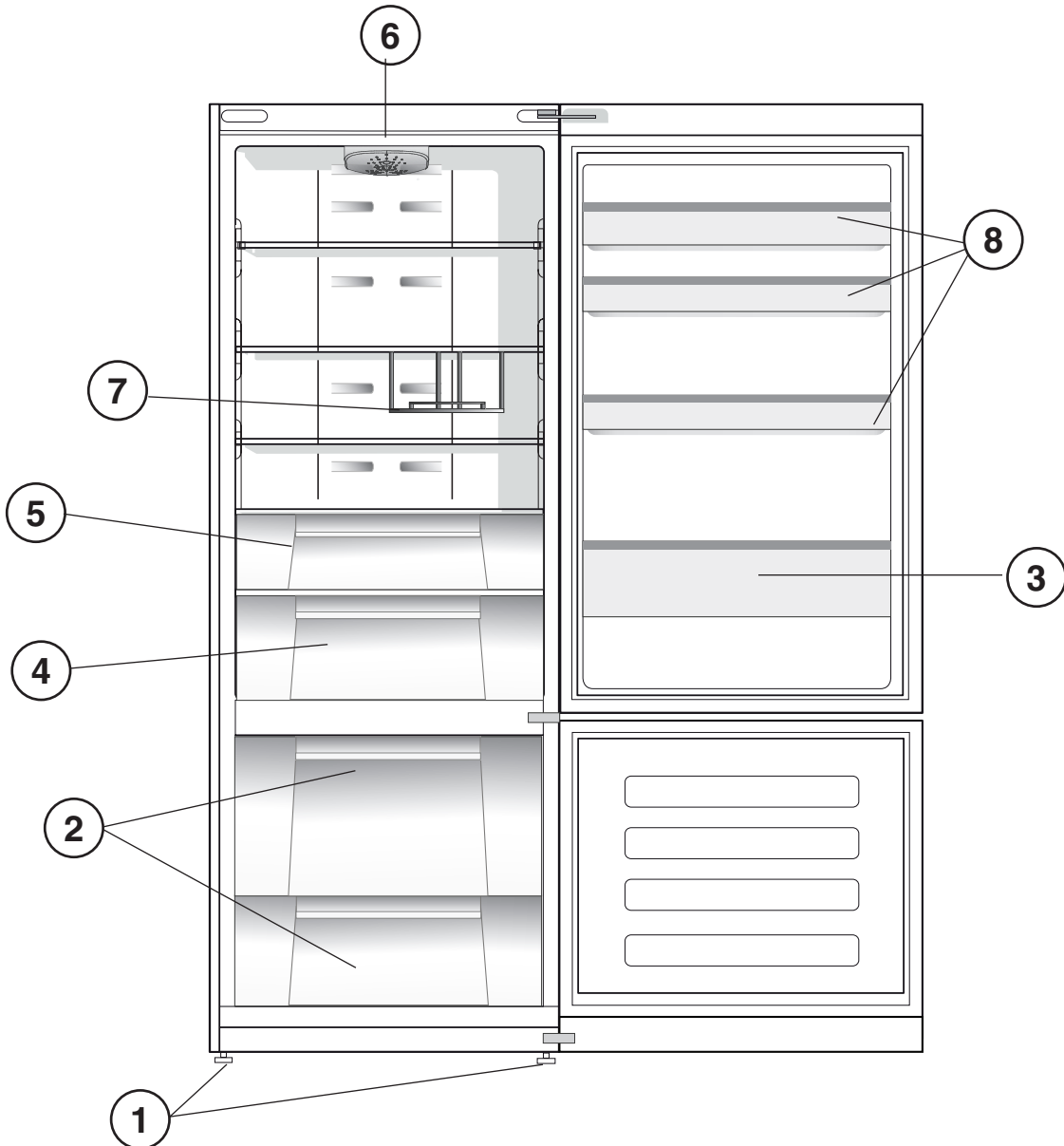
## Cihazın tanımı

### Genel görünüm

Kullanım talimatları birkaç model için geçerli olduğu için şekil satın aldığınız cihazda olmayadeğişik ayrıntıları gösterebilir. Sonraki sayfalarda en karışık cisimler açıklanmıştır.

- 1 Ayarlanabilir **AYAKLAR**
- 2 **DONDURMA** ve **SAKLAMA** bölmesi
- 3 **ŞİŞE** Tutucusu\*
- 4 **Food Care Zone / Food Care Zone 0°C / Safe Defrost\***
- 5 **MEYVE** ve **SEBZE** çekmecesini\*
- 6 **ACTIVE OXYGEN**
- 7 **WINE RACK\***
- 8 **KAPI** rafı\*

\* Sayısı ve/veya pozisyonu değişebilir, Sadece bazı modellerde mevcuttur.



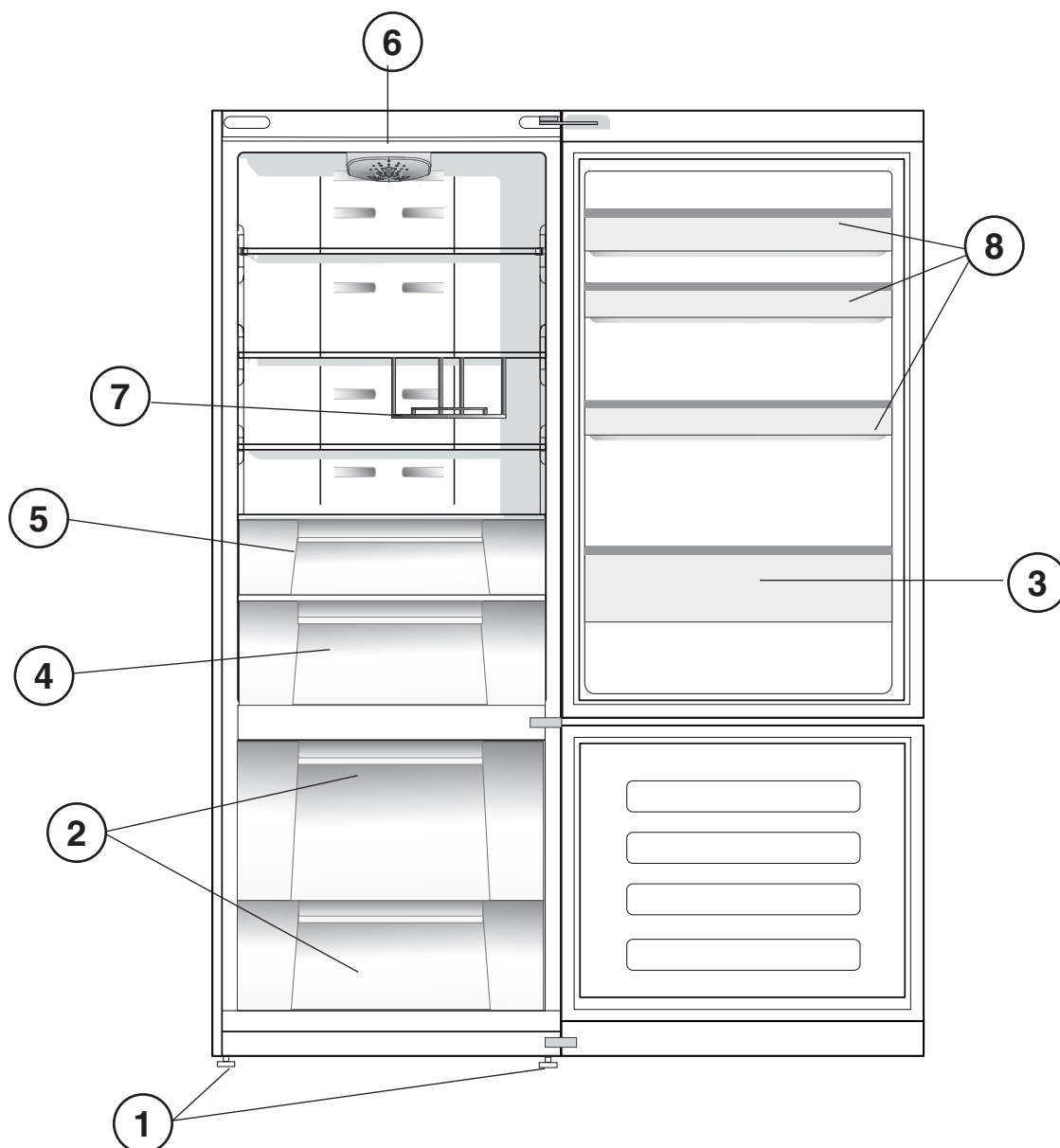
## Descrizione dell'apparecchio

### Vista d'insieme

Le istruzioni sull'uso valgono per diversi modelli per cui è possibile che la figura presenti particolari differenti rispetto a quelli dell'apparecchio acquistato. La descrizione degli oggetti più complessi si trova nelle pagine seguenti.

- 1 **PIEDINO** di regolazione
- 2 Vano **CONGELAMENTO** e **CONSERVAZIONE**
- 3 Balconcino **BOTTIGLIE**
- 4 **Food Care Zone / Food Care Zone 0°C / Safe Defrost\***
- 5 Cassetto **FRUTTA** e **VERDURA \***
- 6 **ACTIVE OXYGEN**
- 7 **WINE RACK\***
- 8 Balconcino estraibile **PORTAOGGETTI \***

\* Variabili per numero e/o per posizione, presente solo in alcuni modelli.



---

**GB**

### **Reversible doors**

If it is necessary to change the direction in which the doors open, please contact the Technical Assistance Centre.

**TR**

### **Kapıların açılış yönünün değiştirilmesi**

Kapıların açılış yönünün değiştirilmesi gerekirse Teknik Servise başvurunuz.

**IT**

### **Reversibilità apertura porte**

Nel caso sia necessario cambiare il verso di apertura delle porte, rivolgersi al servizio di Assistenza Tecnica.



## Installation

! Before placing your new appliance into operation please read these operating instructions carefully. They contain important information for safe use, for installation and for care of the appliance.

! Please keep these operating instructions for future reference. Pass them on to possible new owners of the appliance.

### Positioning and connection

#### Positioning

1. Place the appliance in a well-ventilated humidity-free room.
2. Do not obstruct the rear fan grills. The compressor and condenser give off heat and require good ventilation to operate correctly and save energy.
3. Leave a space of at least 10 cm between the top part of the appliance and any furniture above it, and at least 5 cm between the sides and any furniture/side walls.
4. Ensure the appliance is away from any sources of heat (direct sunlight, electric stove, etc.).
5. In order to maintain the correct distance between the appliance and the wall behind it, fit the spacers supplied in the installation kit, following the instructions provided.

#### Levelling

1. Install the appliance on a level and rigid floor.
2. If the floor is not perfectly horizontal, adjust the refrigerator by tightening or loosening the front feet.

#### Electrical connections

After the appliance has been transported, carefully place it vertically and wait at least 3 hours before connecting it to the electricity mains. Before inserting the plug into the electrical socket ensure the following:

- The appliance is earthed and the plug is compliant with the law.
- The socket can withstand the maximum power of the appliance, which is indicated on the data plate located on the bottom left side of the fridge (e.g. 150 W).
- The voltage must be in the range between the values indicated on the data plate located on the bottom left side (e.g. 220-240V).
- The socket is compatible with the plug of the appliance. If the socket is incompatible with the plug, ask an authorised technician to replace it (see Assistance). Do not use extension cords or multiple sockets.

! Once the appliance has been installed, the power supply cable and the electrical socket must be easily accessible.

! The cable must not be bent or compressed.

! The cable must be checked regularly and replaced by authorised technicians only (see Assistance).

**! The manufacturer declines any liability should these safety measures not be observed.**

**! Installation of the device will be carried out by authorized service.**

## Start-up and use

### Starting the appliance

! After transportation of the appliance, carefully place it in an upright position and wait at least 3 hours before connecting it to the electricity mains, to make sure it operates as it should.

- Clean the inside of the refrigerator well using warm water and bicarbonate of soda before placing food inside it.
- The appliance comes with a motor protection control system which makes the compressor start approximately 8 minutes after being switched on. The compressor also starts each time the power supply is cut off whether voluntarily or involuntarily (blackout).

### Freezer Compartment

When the product is switched on the freezer compartment is set to its default value of -18°C. We recommend that the SUPER FREEZE function is set in order to accelerate the cooling process of the compartment; when the inside of the compartment has reached its optimal temperature the function will be deactivated and the food may be placed inside.

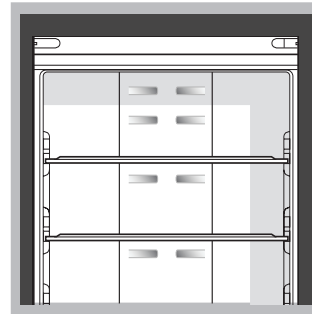
### Navigating the display

#### Setting the temperatures:

If the product is switched on, the refrigerator and freezer compartment displays will indicate the temperature values set at that moment. To change them, simply press the - and + buttons corresponding to the compartment for which you wish to change the set temperature. More specifically, each time the buttons are pressed, the temperature increases or decreases and the level of cold generated inside the compartment is adjusted accordingly. The temperature values that may be selected for the refrigerator compartment are +8°C, +7°C, +6°C, +5°C, +4°C, +3°C and +2°C, while the values that may be set for the freezer are -18°C, -19°C, -20°C, -21°C, -22°C, -23°C, -24°C, -25°C and -26°C. If SUPER FREEZE functions is activated, Freezer temperature cannot be modified.

### Chiller system

#### NO FROST



The No Frost system circulates cold air continuously to collect humidity and prevent ice and frost formation. The system maintains an optimal humidity level in the compartment, preserving the original quality of the food, preventing the food from sticking together and making defrosting a thing of the past. Do not block the aeration cells by placing food or containers near the refrigerating back panel.

! Close bottles and wrap food tightly.

### Using the refrigerator to its full potential

- Adjust the temperature using the display.
- Place only cold or lukewarm foods in the compartment, never hot foods (see Precautions and tips).
- Remember that cooked foods do not last longer than raw foods.
- Do not store liquids in open containers: they will increase the level of humidity in the refrigerator and cause condensation to form.

#### ACTIVE OXIGEN

This device releases ozone molecules inside the refrigerator; ozone is a natural substance which combats bacteria and microorganisms, reducing their proliferation while limiting unpleasant odours. Automatically defines the amount of ozone required for prolonging the freshness of foodstuffs, eliminating odours and preventing bacteria build-up. There may be a slight distinctive odour inside the refrigerator. The very same smell can sometimes be detected during a storm, due to the ozone produced as the charge in the lightning bolts is released; this is completely normal. The amount produced by the device is very small and abates quickly as the antibacterial action takes place. Device is activated pressing the dedicated key on the display located in

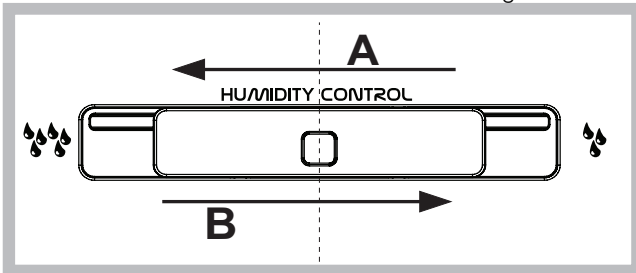
front of the fridge door. With the Active Oxygen switched on, the device will operate a repeated cycle until the key is pressed again. There will be an Ozone emission noticed by the switching on of the green led located on the Active Oxygen device located in the fridge compartment and a stand-by cycle (without ozone emission) noticed by blue light.



**SHELVES:** Due to the special guides the shelves are removable and the height is adjustable, allowing easy storage of large containers and food.

#### FRUIT and VEGETABLE bin\*

The salad crispers fitted inside the fridge have been specially designed for the purpose of keeping fruit and vegetables fresh and crisp. Open the humidity regulator (position **B**) if you want to store food in a less humid environment like fruit, or close it (position **A**) to store food in a more humid environment like vegetable.



**TEMPERATURE Indicator light\*:** to identify the coldest area in the refrigerator.

1. Check that OK appears clearly on the indicator light (see diagram).



2. If the word "OK" does not appear it means that the temperature is too high: set a lower temperature and wait approximately 10 hours until the temperature has been stabilised.
3. Check the indicator light again: if necessary, readjust it following the initial process. If large quantities of food have been added or if the refrigerator door has been opened frequently, it is normal for the indicator not to show OK. Wait at least 10 hours before adjusting the REFRIGERATOR OPERATION knob to a higher setting.

#### Using the freezer to its full potential

- Adjust the temperature using the display.
- Do not re-freeze food that is defrosting or that has already been defrosted. These foods must be cooked and eaten (within 24 hours).
- Fresh food that needs to be frozen must not come into contact with food that has already been defrosted.
- Do not place glass bottles which contain liquids, and which are corked or hermetically sealed in the freezer because they could break.
- The maximum quantity of food that may be frozen daily is indicated on the plate containing the technical properties

located on the bottom left side of the refrigerator compartment (for example: Kg/24h: 4).

- To freeze (if the freezer is already operating): press the rapid freezing SUPER FREEZE button (corresponding blue indicator light illuminates), insert the food and close the door. The function is disabled automatically after 24 hours or when optimal temperatures have been reached (indicator light goes out)

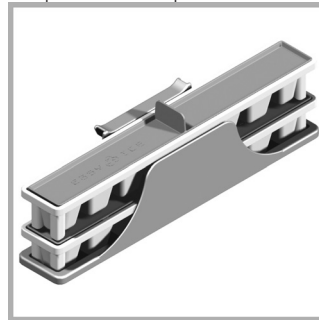
! Do not store food too large in the upper freezer drawer if it presents the 'Ice Device'.

! Do not open the door during freezing.

! If there is a power cut or malfunction, do not open the freezer door. This will help maintain the temperature inside the freezer, ensuring that foods are conserved for at least 9 -14 hours.

#### Easy Ice \*

The double tub was designed to optimise space in the freezer compartment and to ensure that ice is always readily available. The trays can be stacked or filled and used separately. Furthermore, the special fastening system makes Easy Ice an extremely flexible solution, as it can be positioned in the right or left part of the top drawers.



#### Food Care Zone \*

Area dedicated to the storage of fresh food, such as meat and fish. Thanks to the low temperature inside the compartment, the Food Care Zone extends the period of time for which the food can be stored, keeping it fresh for up to a week.

#### Food Care Zone 0°C / Safe Defrost\* :

A compartment designed to keep delicate food such as meat and fish fresh. The low temperature in the compartment (-2 / +3°C) makes it possible to store the food for up to one week - tests performed on meat products - without changing its nutrients, appearance and flavour.

The compartment is also very suitable for healthy food defrosting, as low-temperature defrosting prevents any proliferation of microorganisms, while protecting its taste and organoleptic properties.

It is not suitable for fruit, vegetables and green salad. But it can be used for fresh or very fresh dairy products and milk, stuffed fresh pasta and even cooked food or leftovers.

## Maintenance and care

#### Switching the appliance off

During cleaning and maintenance it is necessary to disconnect the appliance from the electricity supply:

1. Press the ON/OFF button to switch off the appliance.
2. Pull the plug out of the socket.

! If this procedure is not followed, the alarm may sound. This alarm does not indicate a malfunction. To restore normal operation, hold the ON/OFF button down for more than two seconds. To disconnect the appliance, follow points 1 and 2 above.

\* Varies by number and/or position, available only on certain models.

## Cleaning the appliance

- The external and internal parts, as well as the rubber seals may be cleaned using a sponge that has been soaked in lukewarm water and bicarbonate of soda or neutral soap. Do not use solvents, abrasive products, bleach or ammonia.
- The removable accessories may be soaked in warm water and soap or dishwashing liquid. Rinse and dry them carefully.
- The back of the appliance may collect dust which can be removed by delicately using the hose of a vacuum cleaner set on medium power. The appliance must be switched off and the plug must be pulled out before cleaning the appliance.
- During the cleaning of the slide rails for the drawers in the freezer compartment, it may happen that the automatic drawer closure mechanism is deactivated. To reactivate it, simply close the drawer a little more forcefully than is usually necessary.

## Avoiding mould and unpleasant odours

- The appliance is manufactured with hygienic materials which are odour free. In order to maintain an odour free refrigerator and to prevent the formation of stains, food must always be covered or sealed properly.
- If you want to switch the appliance off for an extended period of time, clean the inside and leave the doors open.

## I Care function

The I Care function can be activated to optimise energy consumption while maintaining the cooling performance of the product. This function maximises the amount of energy saved. Under these conditions, the display remains off even when the door is opened. The function is activated by pressing and holding the super freezer and FRZ (+) buttons simultaneously for at least 6 seconds. Once the function has been activated, all LEDs will light up for 2 seconds to confirm activation, and the temperature setting of +5, -18 will appear on the display. The display switches off after 5 seconds. To change the temperature, simply press the + and - buttons until you have reached the desired temperature. However, the I Care function can also be disabled by switching the product off using the ON/OFF button. When it is switched back on, the I Care will be disabled.

## Replacing the light bulb

Thanks to the powerful light it emits, the new LED lighting system offers a clear view of all foods, with no shadowy areas. If the LED needs to be replaced, please contact the Technical Assistance Service.



## Precautions and tips

! The appliance was designed and manufactured in compliance with international safety standards. The following warnings are provided for safety reasons and must be read carefully.



This appliance complies with the following Community Directives:  
- 73/23/EEC of 19/02/73 (Low Voltage) and subsequent amendments;  
- 89/336/EEC of 03.05.89 (Electromagnetic Compatibility) and

subsequent amendments;  
- 2002/96/CE..

## Handling and transportation warnings

- Make sure the packaging during transportation completely closed,
- Do the handling and shipping processes with original packaging.
- Damage to the product during transport and breakdown does not occur, hitting, shock, drop and so on. Pay attention to the damage to the product due to external factors.
- Moisture that can damage the packaging, water, etc. Protect against external factors.
- Installation of the device will be carried out by authorized service

## General safety

- The appliance was designed for domestic use inside the home and is not intended for commercial or industrial use.
- The appliance must be used to store and freeze food products by adults only and according to the instructions in this manual.
- The appliance must not be installed outdoors, even in covered areas. It is extremely dangerous to leave the appliance exposed to rain and storms.
- Do not touch the appliance with bare feet or with wet or moist hands and feet.
- Do not touch the internal cooling elements: this could cause skin abrasions or frost/freezer burns.
- When unplugging the appliance always pull the plug from the mains socket, do not pull on the cable.
- Before cleaning and maintenance, always switch off the appliance and disconnect it from the electrical supply. It is not sufficient to set the temperature adjustment knobs on ON/OFF (appliance off) to eliminate all electrical contact.
- In the case of a malfunction, under no circumstances should you attempt to repair the appliance yourself. Repairs carried out by inexperienced persons may cause injury or further malfunctioning of the appliance.
- Do not use any sharp or pointed utensils or electrical equipment - other than the type recommended by the manufacturer - inside the frozen food storage compartments.
- Do not put ice cubes taken directly from the freezer into your mouth.
- This appliance is not intended for use by persons (including children) with reduced physical, sensory or lack of experience and knowledge unless they have been given supervision or instruction concerning use of the appliance by a person responsible for their safety. Children should be supervised to ensure that they do not play with the appliance.
- Keep packaging material out of the reach of children! It can become a choking or suffocation hazard.

## Disposal

- Observe local environmental standards when disposing packaging material for recycling purposes.
- The European Directive 2002/96/EC on Waste Electrical and Electronic Equipment (WEEE), requires that old household electrical appliances must not be disposed of in the normal unsorted municipal waste stream. Old appliances must be collected separately in order to optimise the recovery and recycling of the materials they contain and reduce the impact on human health and the environment. The crossed out "wheeled bin" symbol on the product reminds you of your obligation, that when you dispose of the appliance it must be separately collected. Consumers should contact their local authority or retailer for information concerning the correct disposal of their old appliance.

## Respecting and conserving the environment

- Install the appliance in a fresh and well-ventilated room. Ensure that it is protected from direct sunlight and do not place it near heat sources.

- Try to avoid keeping the door open for long periods or opening the door too frequently in order to conserve energy.
- Do not fill the appliance with too much food: cold air must circulate freely for food to be preserved properly. If circulation is impeded, the compressor will work continuously.
- Do not place hot food directly into the refrigerator. The internal temperature will increase and force the compressor to work harder and will consume more energy.

## Troubleshooting

If the appliance does not work, before calling for Assistance (see Assistance), check for a solution from the following list.

### The display is completely switched off.

- The plug has not been inserted into the electrical socket, or not far enough to make contact, or there is no power in the house.
- The I-Care function is active.

### The motor does not start.

- The appliance comes with a motor protection control (see *Start-up and use*).

### The display is on but it is dim.

- Pull out and reverse the plug before putting it back in the socket.

### The alarm sounds and DOOR OPEN ALARM flashes on the display (“dr” is displayed instead of the REFRIGERATOR temperature).

- The refrigerator door has been open for more than two minutes. The sound alert stops when the door is closed or when the appliance is switched off and on again.

### The alarm sounds and TEMPERATURE ALARM flashes on the display (“A1” is displayed instead of the FREEZER temperature).

- The temperature inside the freezer is too high. The freezer will maintain a temperature of around 0°C so that the food will not refreeze, allowing you to eat it within 24 hours or to refreeze it after it has been cooked.  
To switch off the buzzer, open and close the appliance door or press the + and – freezer temperature adjustment buttons once. Press these buttons a second time to display the set value on the freezer display, switch off the TEMPERATURE ALARM LED and restore normal operation.

### The alarm sounds and temperature alarm flashes on the display (“A2” is displayed instead of the FREEZER temperature).

- The temperature of the freezer is dangerously high: the food inside must not be eaten. The freezer will maintain a temperature of approximately -18°C.  
To switch off the buzzer, open and close the appliance door or press the + and – freezer temperature adjustment buttons once. Press these buttons a second time to display the set value on the freezer display, switch off the TEMPERATURE ALARM LED and restore normal operation.

### The refrigerator and the freezer do not cool well.

- The doors do not close properly or the seals are damaged.
- The doors are opened too frequently.
- The temperature that has been set is too high (see *Start-up and use*).
- The refrigerator or the freezer have been over-filled.

### The food inside the refrigerator is beginning to freeze.

- The temperature that has been set is too low (see *Start-up and use*).

### The motor runs continuously.

- The function SUPER FREEZE has been enabled
- The door is not closed properly or is continuously opened.
- The outside ambient temperature is very high.

### The appliance makes a lot of noise.

- The appliance has not been installed on a level surface (see *Installation*).
- The appliance has been installed between cabinets that vibrate and make noise.
- The internal refrigerant makes a slight noise even when the compressor is off. This is not a defect, it is normal.

### Early ending of functions

- Electrical disturbance on the network or brief interruptions of the power supply.

### Condensation on the inner walls of refrigerator

- Hot and humid weather increases condensation. Doors might have been opened frequently or left ajar for a long time. Please make sure that the doors are completely closed. It is normal and not a fault.

### Condensation on the outside of the refrigerator or between the doors

- Humid weather increases condensation. When the humidity is less, condensation will disappear. It is normal and not a fault.

### Bad odour inside the refrigerator

- Inside of the refrigerator must be cleaned. Food must be kept in suitable containers and/or packaging. It is normal and not a fault.

## Consumers' Optional Rights

If the commodity is understood to be defective under article 11 of Consumer Protection Law, consumer shall be entitled to optional rights (i) to notify the seller that he is ready to return sold item and renege on contract, (ii) to keep sold item and request rebate from sales price pro rata to defect, (iii) to request free of charge repair of sold item, all expenses at seller's account, if no excessive expense is required, (iv) if possible, to request replacement of sold item with an identical item free of defects. Rights of requesting free repair or replacement of the commodity with identical item free off defects may also be exercised against manufacturer or importer.

If free repair right is chosen, the commodity shall be repaired or caused to be repaired without demanding any fee under the names of labor cost, price of replaced part or under any name whatsoever.

In the event free repair right is exercised, if the commodity fails again within warranty term, maximum period needed for repair is exceeded, authorized service station, vendor, manufacturer or importer determines with a report that repair is not possible; refund of commodity price, price discount pro rata to defect or if possible replacement of the commodity with identical item free of defects (provided that exceptions at legislation are reserved) may be demanded.

In cases when right of reneging on the contract or discount at price pro rata to defect is selected, the vendor shall promptly return entire commodity price or discount amount on the price to consumer. When right of replacing the commodity with an identical item free of defects is chosen, vendor or manufacturer shall fulfill this demand within maximum thirty business days from notification of such demand.”

### Usage Error

Failures arising out of employment of device against matters set forth at owner's manual are excluded from warranty scope.”

### Consumer Complaints

Consumer may file applications regarding complaints and objections for problems that may arise to consumer courts and consumer arbitration committees.”



## Montaj

! Bu kitapçığı gerektiği her an danışabilmemiz için özenle saklayınız. Satış, devir yada taşınma halinde, çalışma sistemi ve bununla ilgili uyarılar konusunda cihazın yeni sahibinin bilgilendirilmesi için bu kitapçığın cihazla birlikte kalmasını sağlayınız.

! Talimatları dikkatlice okuyunuz: montaj, kullanım ve güvenliğe ilişkin önemli bilgiler içermektedir.

### Cihazın yerleştirilmesi ve bağlanması

#### Konumlandırma

1. Cihazı nemsiz ve havadar bir yere yerleştiriniz.
2. Arkadaki havalandırma ızgaralarını kapatmayınız: kompresör ve kondenser ısı yayar, bu yüzden cihazın iyi çalışmasını ve tüketiminin azalmasını sağlamak için iyi bir havalandırma gerektirirler.
3. Cihazın üst kısmı ile üstüne konacak mobilya arasında en az 10 cm, mobilya/duvar yanına yerleştirilmesi durumunda ise en az 5 cm açıklık bırakınız
4. Cihazı ısı kaynaklarından uzak tutunuz (ör. doğrudan güneş ışığı, elektrikli ocak).
5. Ürünün arka kısmıyla duvar arasında uygun bir mesafe bırakmak için, verilen belge üzerinde bulunan kullanım talimatlarına uygun olarak montaj kitinde mevcut olan uzaklaştırıcı çubukları monte ediniz.

#### Cihazın aynı seviyeye getirilmesi

1. Buzdolabınızı düz ve sert bir zemin üzerine yerleştiriniz.
2. Zeminin düz olmaması durumunda ayarlanabilir ön ayakları gevşeterek veya sıkarak cihazın tamamen zemine oturmasını sağlayınız.

#### Elektrik bağlantısı

Taşıma sonrasında cihazı dik olarak yerleştiriniz ve elektrik tesisatına bağlamadan önce en az 3 saat bekleyiniz. Fişi prize takmadan önce aşağıdaki hususlara dikkat ediniz:

- Prizin topraklaması yürürlükteki normlara uygun olmalıdır;
- elektrik prizi, soğutucu bölmesinin sol tarafının aşağısında bulunan özellik etiketinde belirtilen makinenin maksimum güç yükünü çekebilmelidir (örn. 150 W);
- besleme gerilimi, soğutucu bölmesinin sol tarafının aşağısında bulunan özellik etiketinde belirtilen değerler kapsamında olmalıdır (ör. 220-240 V);
- priz ve cihazın fişi, birbiriyle uyumlu olmalıdır. Aksi takdirde fişin yenisi ile değiştirilmesi için yetkili Servise (Teknik Servis bölümüne bakınız) başvurmanız gerekir; uzatma kablosu ya da çoklu priz kullanmayınız.

! Cihaz monte edildikten sonra elektrik kablosu ve priz kolay bir şekilde erişilebilir olmalıdır.

! Kablo kıvrılmaları veya ezilmelere maruz kalmamalıdır.

! Kablonun periyodik olarak kontrol edilmesi ve sadece yetkili teknik personel tarafından değiştirilmesi gerekir (Teknik Servis bölümüne bakınız).

! Üretici firma yukarıdaki normların dikkate alınmaması durumunda hiçbir sorumluluk kabul etmeyecektir.

! Cihazın montajı yetkili servis tarafından gerçekleştirilecektir.

## Çalıştırma ve kullanım

### Cihazın çalıştırılması

! Cihazı çalıştırmadan önce montaj hakkında verilen talimatları uygulayınız (Montaj bölümüne bakınız).

! Cihazı elektrik şebekesine bağlamadan önce tüm bölmeleri ve aksesuarları bikarbonat kullanarak ılık su ile yıkayınız.

! Cihaz, çalışmaya başladıktan sadece 8 dakika sonra kompresörü devreye sokan motor kurtarma aygıtına sahiptir. İstenilen ya da istenilmeyen (black out) sebeplerden elektrik her kesildikten sonra aynı işlem tekrarlanır.

\* Sayısı ve/veya pozisyonu değişebilir, Sadece bazı modellerde mevcuttur.

### Dondurucu bölmesi

Cihaz çalıştırıldığında dondurucu bölmesi otomatik olarak standard konumu olan  $-18^{\circ}\text{C}$ 'ye ayarlanır. Bölmenin soğumasını hızlandırmak için SUPER FREEZE fonksiyonunun seçilmesi tavsiye edilir (DONDURUCUnun gösterge panelinde önceden ayarlanan ısı derecesi görüntülenecek); bölme optimal ısıya ulaşınca seçilen fonksiyon devreden çıktıktan sonra dondurulmuş gıdaları yerleştirebilirsiniz.

Ekran nasıl kullanılır

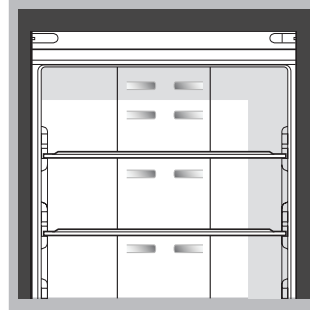
Fonksiyonların ayarlanması:

Cihaz açık ise soğutucu ve dondurucu bölmesinin grafik çubuklarında o an ayarlanan ısı dereceleri görüntülenir. Değiştirmek için ısı değiştirmek istediğiniz bölmeye bağlı - ve + tuşlarına basınız. Tuşa her basıldığında ısı 1 derece yükselir veya azalır, aynı şekilde ilgili soğukluk seviyesi de değişir. Isı soğutucu bölmesi ise  $+8^{\circ}$ ,  $+7^{\circ}$ ,  $+6^{\circ}$ ,  $+5^{\circ}$ ,  $+4^{\circ}$ ,  $+3^{\circ}$ ,  $+2^{\circ}$  olarak, dondurucu bölmesi ise  $-18^{\circ}$ ,  $-19^{\circ}$ ,  $-20^{\circ}$ ,  $-21^{\circ}$ ,  $-22^{\circ}$ ,  $-23^{\circ}$ ,  $-24^{\circ}$ ,  $-25^{\circ}$   $26^{\circ}$ .

Eğer SUPER FREEZER fonksiyonu aktif ise, Dondurucu bölmesi sıcaklık ayarları değiştirilemez.

### Soğutma sistemi

#### No Frost



No frost sistemi ile devamlı soğuk hava dolaşımı sağlanır. Böylece nem toplanır, buz ve çiy oluşması engellenir: soğutucu bölümünde gerekli olan nem oranı sağlanır ve çiy oluşmasını engellediği için gıdaların besin özelliklerinin korunması sağlanır; dondurucu bölümünde ise buz çözme işlemine gerek kalmadan ve gıdaların birbiriyle yapışmaması sağlanarak buz oluşması engellenir. Besin veya kapları buzdolabi arka paneli yakınına yerleştirerek havalandırma hücrelerini engellemeyin. Havalandırma deliklerinin kapatılması kondens suyu oluşmasına sebep olur. Şişeleri kapatınız ve gıdaları sarınız.

#### AKTİF OKSİJEN

Bu cihaz buzdolabınızın içinde ozon molekülleri oluşturur; ozon bakterilerle ve mikroorganizmalarla savaşan, bunların çoğalmasını engelleyerek kötü kokuların oluşumunu engelleyen doğal bir maddedir. Bakterilerin oluşumunu ve kötü kokuları engelleyecek, yiyeceklerin taze kalma süresini uzatan ozon miktarını otomatik olarak oluşturur. Soğutucuda çok hafif bir koku oluşabilir. Aynı koku fırtınalı havalarda şimşek çakmasında ozon oluşumuyla ortaya çıkar ve tamamen normaldir. Cihaz tarafından oluşturulan miktar çok küçüktür ve hızlıca antibakteriyel özelliği oluşturmaktadır. Cihaz displaydeki ilgili düğmeyle aktif edilebilir. Aktif oksijen fonksiyonunun çalışmaya başlamasıyla, cihaz fonksiyon ekrandan tekrar durdurulana kadar tekrarlanan çevrimlerle çalışmaya devam eder. Ozon oluşumu sırasında aktif oksijen cihazının üzerindeki led ışık yeşil renkte yanar ve standby konumunda (ozon oluşumuna ara verildiği zaman aralığında) ise bu ışık mavi olur.

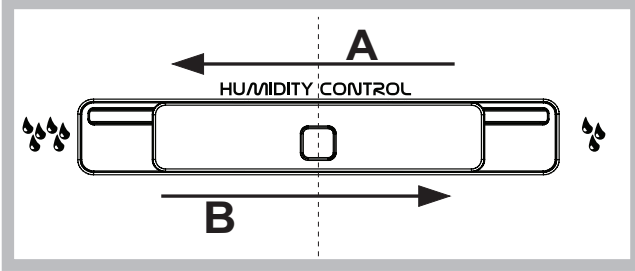


## Buzdolabınızı en iyi şekilde kullanınız

- Isı derecesi ekrandan ayarlanmalıdır.
- Sadece soğuk, ılık ve sıcak olmayan gıda yerleştirilebilir (Önlemler ve öneriler bölümüne bakınız).
- Pişmiş gıda çiğ gıdadan daha uzun süre saklanmaz.
- Sıvı kapaksız kaplara dökülmemelidir: nem oranı yükselir ve kondens suyu oluşur.
- **RAFLAR:**Büyük kaplar veya fazla yer kaplayan gıdaların yerleştirilmesi için mevcut olan kılavuzlar sayesinde çıkarılabilir ve yüksekliği ayarlanabilir .

### MEYVE VE SEBZE çekmecesi

Buzdolabında mevcut olan meyve ve sebze çekmeceleri içerde saklanan meyve ve sebzeleri taze ve kokulu saklamak üzere tasarlanmıştır. Gıdaları daha az nemli bir ortamda saklamak için nem ayarını **B** konumuna getiriniz, sebze gibi besinleri daha az nemli ortamda depolamak isterseniz açın ya da meyve gibi besinleri daha nemli bir ortamda depolamak isterseniz kapatın (konum A).



**Food Care Zone \*** ( Besin Koruma Bölgesi) : Et ve balıkları taze tutmak için tasarlanmış bir bölme. Bölmenin sıcaklığı düşük olduğundan besinleri bir haftaya kadar depolanabilir. Ayrıca "soğuk yemekler" için de kullanılabilir. Meyve, sebze ve salatalar için uygun değildir.

### Food Care Zone 0°C / Safe Defrost\*

Et ve balık gibi hassas yiyecekleri taze tutmak için tasarlanmış bölüm. Bölümdeki düşük sıcaklıkta (-2 / +3° C) yiyecekler 1 haftaya kadar besin değeri, görünümü ve tadı bozulmaksızın depolanabilmektedir. ( testler etler üzerinde yapılmıştır.)Bu bölüm aynı zamanda, besinlerin tadını ve organoleptik özelliklerini korurken, buzun düşük sıcaklıkta çözülmesinin mikroorganizmaların üremesini engellemesinden ötürü de besinlerin sağlıklı bir şekilde eritilmesi için çok uygundur. Bu bölüm meyve, sebze ve yeşillik için uygun değildir fakat taze veya çok taze günlük ürünler, süt, dondurulmuş taze makarna ve pişirilmiş yemekler ya da artmış yemekler için dahi kullanılabilir.

## Dondurucunun en iyi şekilde kullanılması

- Gösterge düğmelerini kullanarak sıcaklık ayarını yapınız.
- Dondurmak için (dondurucu çalışır vaziyetteyken):
  - özellikler etiketinin üzerinde gösterilenin yarısından az olan, küçük miktarlar için SUPER FREEZE düğmesine basınız (hızlı dondurma) ilgili uyarı lambası yanınca yiyecekleri koyunuz ve kapağı kapatınız. 24 saat geçtikten sonra veya en uygun ısı derecesine ulaşınca fonksiyon otomatik olarak kapanır (uyarı lambası yanmıyor).
  - özellikler etiketinin üzerinde gösterilenin maksimum yükün yarısından fazla olan, küçük miktarlar için SUPER FREEZE (hızlı dondurma) düğmesini, sarı ışık yanmaya başlayıncaya kadar basılı tutunuz (hızlı dondurma). 24 saat geçtikten sonra LED' in yanıp sönmeye sona erer ve yanık kalır: gıdaları yerleştiriniz ve kapağı kapatınız. 24 saat daha geçtikten sonra fonksiyon otomatik olarak devreden çıkar (uyarı lambası yanmıyor).
- Erimiş veya erimek üzere olan yiyecekleri bir daha dondurmayınız, bu gıdalar (24 saat içinde) tüketilmesi için pişirilmelidir.
- Taze dondurulacak gıdalar dondurulmuş gıdalar ile temasa geçmeyecek şekilde saklanmalıdır.

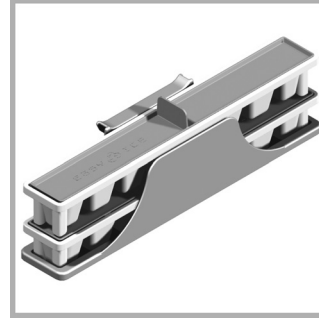
- Dondurucu içinde sıvı olan kapağı kapatılmış şişe koymayınız, patlayabilir.
- Günlük en fazla yiyecek dondurma miktarı soğutucu içinde aşağıda sağda bulunan teknik veriler etiketi üzerinde yazılıdır (örneğin: Kg/24h 4).

! Dondurma işlemi sırasında kapağı açmamaya özen gösteriniz. ! Elektrik kesintisi veya arıza durumunda kapağı açmayınız: dondurulmuş gıdalar 9-14 saate kadar, hiç bir değişikliğe uğramadan korunurlar.

! Dondurucu bölümü içerisinde hava dolaşımını sağlamak için gıdaların havalandırma deliklerini kapatmayacak şekilde yerleştirilmesi gerekir.

### Easy Ice \*

Dondurucu bölümünü daha verimli kullanabilmek ve her zaman buz bulunmasını sağlamak için çiftli buzluk tasarlanmıştır. Buzluklar ayrı ayrı veya birlikte kullanılabilir. Ayrıca, üst çekmecelerin sağ veya sol kısmına yerleştirilebilecek şekilde esneklik sunulmuştur.



**ISI DERECE göstergesi\*:** soğutucunun en soğuk bölümünü belirlemek için kullanılır.

1. Gösterge üzerinde OK yazısının net bir şekilde okunup okunmadığını kontrol ediniz (şekile bakınız).



2. "Tamam" sözcüğü görünmezse, sıcaklık çok yüksek demektir: daha düşük sıcaklığa ayarlayın ve sıcaklık dengeleninceye kadar yaklaşık olarak 10 saat bekleyin.
3. Göstereyi tekrar kontrol ediniz: gerekirse bir daha ayarlayınız. Büyük miktarda yemek yerleştirilmesi veya kapı sık sık açılması durumunda göstergede ok yazısının olmaması normaldir. SOĞUTUCU KONTROL düğmesini daha yüksek konuma ayarlamak için en az 10 saat bekleyiniz.

## Bakım ve özen

### Elektrik akımını kesiniz

Temizlik ve bakım işlemi sırasında cihazın fişini prizden çıkararak elektrik bağlantısını kesiniz.

1. ON/OFF düğmesini iki saniyeden fazla, ekran sönmeye kadar (ON/OFF tuşunun kırmızı led'i hariç) basılı tutunuz.
2. Fişi prizden çekiniz

! Bu prosedürün uygulanmaması durumunda alarm çalabilir: bu alarm bir anormallik belirtisi değildir. Cihazın normal çalışmasını sağlamak için DONDURUCU KONTROL ayarını istenilen değere getiriniz. 1 ve 2 noktalarını uygulayarak cihazın elektrik şebekesi ile bağlantısını kesiniz.

## Cihazı temizleyiniz

- Buzdolabının dış, iç duvarlarını ve contalarını karbonat (yemek sodası) veya nötr sabun eklenmiş ılık su ile ıslatılmış yumuşak bir sünger ile temizleyiniz. Aşındırıcı maddeler ve çözücü, amonyak, beyazlatıcı türü maddeleri kesinlikle kullanmayınız.
- Sökülebilir aksesuarları deterjan veya sabun eklenmiş ılık su içine batırınız. Çalkalayınız ve dikkatlice kurulaştırınız.
- Buzdolabınızın arkası toz dolu ise, cihazı kapatıp elektrik bağlantısını kestikten sonra elektrik süpürgesini orta watt'a ayarlayarak uzun ucu ile arkasındaki tozları iyice alınız.
- Derin dondurucu bölmesindeki çekmecelerin sürgülü raylarının temizlenmesi sırasında otomatik çekmece kapanma mekanizması devre dışı kalabilir. Yeniden etkin hale getirmek için, çekmeceyi normalde gerekli olandan biraz daha sert kapatın.

## İstenmeyen kokuları ve küfü önleyiniz

- Cihaz, kokuları önleyici hijyenik malzemelerle üretilmiştir. Bu özelliği kaybetmemek için gıdaların her zaman iyice sarılıp kapatılması gerekir. Böylece leke oluşması engellenecektir.
- Cihazın uzun süre devre dışı bırakılmak istenmesi durumunda, içini iyice temizleyiniz ve kapılarını açık bırakınız.

## I Care (Enerji Optimizasyon Fonksiyonu)

"Enerji tüketimini optimize etmek için I Care fonksiyonu etkinleştirilebilir. Bu fonksiyon enerji tasarrufunu maksimize eder. Bu fonksiyonu etkinleştirmek için Super Freeze ve Dondurucu Ayar (+) düğmelerini aynı anda en az 6 sn. basılı tutun. Fonksiyon etkinleştirildiğinde tüm ışıklar 2 sn süre ile yanar, ekranda sıcaklık değerleri +5/-18 olarak görünür. 5 sn sonra, gösterge enerji tasarrufu moduna girer ve ışıkları söner. Kapaı açıldığında dahi gösterge kapalı kalır. Göstergeyi yeniden devreye almak için bir düğmeye basmanız yeterlidir. I care fonksiyonu aktifken, sıcaklığı (+) ve (-) ayar düğmeleri ile değiştirebilirsiniz. I care fonksiyonunu devre dışı bırakmak için ürünü ON/OFF düğmesini kullanarak kapatın. Ürün tekrar açıldığında I care fonksiyonu devre dışı kalır ve ürün normal çalışır."

## Ampulün degistirilmesi

Güçlü isik yayması sayesinde, yeni LED aydınlatma sitemi gölgeli alanlar olmadan tüm besinlerin net olarak görünmesini sağlar. LED'in degistirilmesi gerekirse, lütfen Teknik Yardım Servisi ile irtibata geçin.



## Önlemler ve öneriler

!Cihaz, uluslararası güvenlik normlarına uygun olarak tasarlanıp üretilmiştir. Aşağıdaki bilgiler, güvenliği sağlamak amacıyla verilmiştir. Bu yüzden dikkatlice okunması gerekir.



Bu cihaz aşağıdaki AB Yönergeleri ile uyumludur:

- 2006/95/AT Belirli Gerilim Sınırları Dahilinde Kullanılmak Üzere Tasarlanmış Elektrikli Teçhizat İle İlgili Yönerge
- 2004/108/AT Elektromanyetik Uyumluluk Yönergesi

- 96/57/AT Ev tipi elektrikli soğutucular, dondurucular ve kombinasyonlarının enerji verimlilik şartları ile ilgili yönerge Atık Elektrikli ve Elektronik Eşyaların (AEEE) Kontrolü Yönetmeliğine uygundur.

## Taşıma ve nakliye sırasında dikkat edilecek konular

- Taşıma ve nakliye sırasında ambalajın tamamen kapalı olduğundan emin olunuz,
- Taşıma ve nakliye işlemini orijinal ambalajı ile yapınız.
- Taşıma esnasında üründe hasar ve arıza oluşmamasına, vurma, çarpma, düşürme vb. dış etkenler nedeniyle ürünün zarar görmemesine dikkat ediniz.
- Ambalajı zarar verebilecek nem, su, v.b. dış etkenlere karşı koruyunuz.
- Cihazın montajı yetkili servis tarafından gerçekleştirilecektir

## Genel güvenlik uyarıları

- Cihaz, meskenlerde kullanılmak üzere tasarlanmış olup profesyonel kullanım amaçlı değildir.
- Cihaz, sadece yetişkin kişiler tarafından ve bu kitapçıkta aktarılan talimatlara göre, gıdaları saklamak ve dondurmak için kullanılmalıdır.
- Cihaz, üzeri kapalı bile olsa açık alanlara monte edilmemelidir, çünkü yağmur ve fırtınaya maruz kalması son derece tehlikelidir.
- Cihaza ayaklarınız çıplakken yada elleriniz veya ayaklarınız ıslak yada nemliyken dokunmayınız.
- Buzdolabının soğutma yapan iç kısımlarına dokunmayınız: yanma veya yaralanma tehlikesi vardır.
- Fişi prizden çekerken kablosundan değil fişin kendisinden tutarak çekiniz.
- Temizlik ve bakım işleminden önce fiş elektrik şebekesinden çıkarılmalıdır. Cihazın tüm elektrik bağlantılarını kesmek için ISI AYAR DÜĞMESİNİ ON/OFF konumuna (cihaz kapalı) getirmek yeterli değildir.
- Ürünün kapatılması tüm elektrik bağlantılarını önlemeye yeterli olmaz.
- Arıza halinde, onarmak amacıyla iç mekanizmaları hiçbir şekilde kurcalamayınız.
- Dondurulmuş gıda saklama kaplarında üretici tarafından tavsiye edilen tip hariç ucu sivri ve keskin aletleri kullanmayınız.
- Buz küplerini dondurucu bölmesinden çıkarır çıkarmaz ağızınıza sokmayınız.
- Bu cihaz fiziksel, duyuşsal veya mental kapasite azlığına sahip, veya tecrübe ve bilinçten yoksun kişilerin (çocuklar dahil) kullanımı için uygun değildir, emniyetlerinden sorumlu bir kişi tarafından cihazın kullanımı konusunda eğitim almamış kişiler tarafından da kullanıma uygun olarak amaçlanmamıştır. Çocuklar, cihaz ile oynamamaları sağlanarak, denetlenmelidir.
- Ambalajlar çocuklar için oyuncak değildir.

## Atıkların tasfiye edilmesi

- Ambalaj malzemelerinin tasfiye edilmesi: yerel yasalara uyunuz, bu şekilde ambalajların geri dönüşümü sağlanabilecektir.
- Elektrik ve elektronik cihazların atıkları hakkındaki 2002/96/CE sayılı Avrupa Konseyi yönetmeliğinde (RAEE); beyaz eşyaların kentsel katı atık genel yöntemi ile tasfiye edilmemesi öngörülmüştür. Kullanılmayan cihazların, madde geri kazanım ve geri dönüşüm oranını en yüksek seviyeye yükseltmek, çevre ve insan sağlığına olası zararları engellemek amacıyla ayrı ayrı toplanması gerekir. Tüm ürünlerin üzerinde; ayrı toplama hükümlerini hatırlatmak amacıyla üstünde çarpı işareti olan sepet sembolü aktarılmaktadır. Elektrikli ev aletlerinin doğru bir şekilde tasfiye edilmesi konusunda daha geniş bilgi almak için, cihaz sahipleri mevcut müşteri hizmetine veya satış noktalarına başvurabilirler.

## Tasarrufa yöneliniz ve çevreye saygılı olunuz

- Buzdolabını doğrudan güneş ışığına maruz kalmayacak, serin ve havadar uygun bir yere yerleştiriniz. Ayrıca, ısı kaynaklarından uzakta olmalıdır.
- Gıdaları yerleştirmek ya da çıkarmak için, cihazın kapılarını mümkün olduğu kadar az açık tutunuz. Buzdolabının kapıları her açıldığında büyük ölçüde enerji tüketilir.
- Cihazı fazla miktarda gıda ile doldurmayınız: gıdaların iyi saklanması için soğuk hava serbest bir şekilde dolaşmalıdır. Hava dolaşımının engellenmesi durumunda, kompresör devamlı çalışacaktır.
- Buzdolabının içine sıcak gıda koymayınız: dahili ısı derecesini yükseltir, kompresör yoğun çalışmak zorunda kalır ve elektrik enerjisi büyük miktarda tüketilir.

## Arızalar ve onarımlar

Buzdolabınız bazen çalışmayabilir. Teknik Servis ile irtibata geçmeden önce (Teknik Servis bölümüne bakınız), aşağıdaki liste yardımıyla kolaylıkla çözülebilecek bir problem olup olmadığını kontrol ediniz.

### Ekran kapalı.

- Fiş prize takılı değil veya kondağa girecek kadar takılı değil veya evdeki elektrik akımı kesik.
- I Care fonksiyonu aktif.

### Motor çalışmaya başlamıyor.

- Cihaz motor kurtarma aygıtına sahiptir (Çalıştırma ve kullanma bölümüne bakınız).

### Ekran hafifçe yanıyor.

- Fişi prizden çekiniz ve tersine çevirip tekrar prize takınız.

### Alarm çalıyor, ALARM led'i yanıyor ve soğutucu bölümündeki ampul yanıp sönüyor.

- Soğutucu kapağı iki dakikadan fazla açık kalmış. Sesli sinyal kapıyı kapatarak veya ALARM tuşuna basarak kapatılır.

### Alarm çalıyor, ALARM led'i yanıyor ve dondurucu bölümünün gösterge panelindeki led sırayla yanıp sönmeye başlar.

- Cihaz dondurucunun fazla ısınmış olduğunu belirtir: Dondurucu ısı derecesi, gıdaların tekrar dondurulması için 0°C civarında korunacaktır. Böylece gıda 24 saat içinde kullanılabilir ve piştikten sonra tekrar dondurulabilir. Sesli sinyali kapatmak için RESET ALARM tuşuna basınız. Gösterge panelinde ayarlanan değeri görüntülemek, ALARM led'ini kapatmak ve normal çalışmasını sağlamak için bir kere daha basınız.

### Alarm çalıyor, ALARM led'i yanıyor ve dondurucu bölümünün gösterge panelindeki led aralıksız yanıp sönüyor.

- Cihaz dondurucunun tehlikeli olacak şekilde fazlasıyla ısınmış olduğunu belirtir: gıdalar tüketilmemelidir. Dondurucu -18°C olarak ayarlanacaktır. Sesli sinyali kapatmak için RESET ALARM tuşuna basınız. Gösterge panelinde ayarlanan değeri görüntülemek, ALARM led'ini kapatmak ve normal çalışmasını sağlamak için bir kere daha basınız.

### Soğutucu ve dondurucu az soğutma yapıyor.

- Kapaklar tamamen kapanmıyor veya contalar bozuk.
- Kapaklar sık sık açılıyor.
- Çok sıcak bir ısı derecesi ayarlanmış (Çalıştırma ve kullanma bölümüne bakınız).
- Soğutucu veya dondurucu fazla doldurulmuş.

### Soğutucu bölümünde gıdalar donuyor.

- Çok soğuk bir ısı derecesi ayarlanmış (Çalıştırma ve kullanma bölümüne bakınız).

### Motor devamlı çalışıyor.

- SUPER FREEZE fonksiyonu aktif
- Kapak tam kapalı değil veya devamlı açılıp kapatılıyor.
- Dış ortam sıcaklığı çok yüksek.

### Cihaz çok ses yapıyor.

- Cihaz tamamen düz bir zemine montaj edilmemiş (Montaj bölümüne bakınız).
- Cihaz ses ve sarsıntı yapan mobilya veya eşya arasına yerleştirilmiş.
- İçindeki gaz kompresör çalışmadığı zamanda hafif bir ses bir arıza değildir, normaldir.

### Fonksiyonların erken kapatılması

- Şebekenin elektrik bozukluğu veya elektrik şebekesinin kısa kesikliği.

### Dondurucu bölümünün gösterge panelindeki led ayarlanan ısı derecesini belirtmiyor ve yanık kalır.

- Şebekenin elektrik bozukluğu veya elektrik şebekesinin kısa kesikliği.

### Buzdolabının iç duvarlarında nem oluşuyor.

- Havanın çok sıcak ve nemli olduğu durumlarda ve kapıları çok sık veya çok uzun süre açıldığında yoğunlaşma artar. Kapıların tamamen kapalı olduğundan emin olunuz. Bu bir arıza değildir, normaldir.

### Buzdolabının dışında veya kapıları arasında nem oluşuyor.

- Havanın çok nemli olduğu durumlarda yoğunlaşma artar. Nem azaldığında kaybolacaktır. Bu bir arıza değildir, normaldir.

### Buzdolabının içi kötü kokuyor

- Buzdolabının içi temizlenmelidir. Yiyecekler uygun kaplar ve/veya paketler içinde saklanmalıdır. Bu bir arıza değildir, normaldir.

## Tüketicilerin Seçimlik Hakları

Tüketicinin Korunması Hakkındaki Kanun'un 11. maddesi çerçevesinde malın ayıplı olduğunun anlaşılması durumunda tüketici, satıcıdan (i) satılanı geri vermeye hazır olduğunu bildirerek sözleşmeden dönme, (ii) satılanı alıkoymuş ayıp oranında satış bedelinden indirim isteme, (iii) aşırı bir masraf gerektirmediği takdirde, bütün masrafları satıcıya ait olmak üzere satılanın ücretsiz onarılmasını isteme, (iv) imkan varsa, satılanın ayıpsız bir misli ile değiştirilmesini isteme seçimlik haklarına sahiptir. Ücretsiz onarım veya malın ayıpsız misli ile değiştirilmesi hakları üretici veya ithalatçıya karşı da kullanılabilir.

Ücretsiz onarım hakkının seçilmesi durumunda işçilik masrafı, değiştirilen parça bedeli ya da başka herhangi bir ad altında hiçbir ücret talep etmeksizin malın onarımı yapılacak veya yaptırılacaktır.

Ücretsiz onarım hakkının kullanılması halinde malın, garanti süresi içinde tekrar arızalanması, tamiri için gereken azami sürenin aşılması, tamirinin mümkün olmadığı, yetkili servis istasyonu, satıcı, üretici veya ithalatçı tarafından bir raporla belirlenmesi durumlarında, malın bedel iadesi, ayıp oranında bedel indirimini veya imkan varsa malın ayıpsız misli ile değiştirilmesi (mevzuattaki istisnalar saklı kalmak kaydıyla) talep edilebilecektir.

Sözleşmeden dönme veya ayıp oranında bedelden indirim hakkının seçildiği durumlarda, satıcı, malın bedelinin tümünü veya bedelden yapılan indirim tutarını derhal tüketiciye iade edecektir. Malın ayıpsız misli ile değiştirilmesi hakkının seçilmesi durumunda talep kendilerine bildirilmesinden itibaren satıcı veya üretici tarafından azami otuz iş günü içerisinde, bu talep yerine getirilecektir.

### Kullanım Hataları

Cihazın kullanma kılavuzunda yer alan hususlara aykırı kullanılmasından kaynaklanan arızalar garanti kapsamı dışındadır.

### Tüketici Şikayetleri

Çıkabilecek sorunlar için tüketiciler şikayet ve itirazları konusundaki başvurularını tüketici mahkemelerine ve tüketici hakem heyetlerine yapabilirler.



# Installazione

! È importante conservare questo libretto per poterlo consultare in ogni momento. In caso di vendita, di cessione o di trasloco, assicurarsi che resti insieme all'apparecchio per informare il nuovo proprietario sul funzionamento e sui relativi avvertimenti.

! Leggere attentamente le istruzioni: ci sono importanti informazioni sull'installazione, sull'uso e sulla sicurezza.

## Posizionamento e collegamento

### Posizionamento

1. Posizionare l'apparecchio in un ambiente ben aerato e non umido.
2. Non ostruire le griglie posteriori di ventilazione: compressore e condensatore emettono calore e richiedono una buona aerazione per funzionare bene e contenere i consumi elettrici.
3. Lasciare una distanza di almeno 10 cm tra la parte superiore dell'apparecchio ed eventuali mobili sovrastanti e di almeno 5 cm tra le fiancate e mobili/pareti laterali.
4. Lasciare l'apparecchio lontano da fonti di calore (la luce solare diretta, una cucina elettrica).
5. Per mantenere una ottimale distanza del prodotto dalla parete posteriore, montare i distanzieri presenti nel kit di installazione seguendo le istruzioni presenti sul foglio dedicato.

### Livellamento

1. Installare l'apparecchio su un pavimento piano e rigido.
2. Se il pavimento non fosse perfettamente orizzontale, compensare svitando o avvitando i piedini anteriori.

### Collegamento elettrico

Dopo il trasporto, posizionare l'apparecchio verticalmente e attendere almeno 3 ore prima di collegarlo all'impianto elettrico. Prima di inserire la spina nella presa della corrente, accertarsi che:

- la presa abbia la messa a terra e sia a norma di legge;
- la presa sia in grado di sopportare il carico massimo di potenza della macchina, indicato nella targhetta caratteristiche posta nel vano frigorifero in basso a sinistra (es 150 W);
- la tensione di alimentazione sia compresa nei valori indicati nella targhetta caratteristiche, posta in basso a sinistra (es 220-240 V);
- la presa sia compatibile con la spina dell'apparecchio.  
In caso contrario richiedere la sostituzione della spina a un tecnico autorizzato (*vedi Assistenza*); non usare prolunghe e multiple.

! Ad apparecchio installato, il cavo elettrico e la presa della corrente devono essere facilmente raggiungibili.

! Il cavo non deve subire piegature o compressioni.

! Il cavo deve essere controllato periodicamente e sostituito solo da tecnici autorizzati (*vedi Assistenza*).

**! L'azienda declina ogni responsabilità qualora queste norme non vengano rispettate.**

# Avvio e utilizzo

## Avviare l'apparecchio

! Dopo il trasporto, posizionare l'apparecchio verticalmente ed attendere circa 3 ore prima di collegarlo alla presa di corrente per favorire un buon funzionamento.

- Prima di mettere gli alimenti nel frigorifero pulite bene l'interno con acqua tiepida e bicarbonato.
- Tempo protezione motore.

L'apparecchio è provvisto di un controllo salvamotore che fa avviare il compressore solo dopo circa 8 minuti dall'accensione. Questo accade anche dopo ogni interruzione dell'alimentazione elettrica, volontaria o involontaria (black out).

## Scomparto congelatore

Alla prima accensione del prodotto, dopo aver impostato la temperatura desiderata, si consiglia di attivare la funzione **SUPER FREEZE** per raffreddare il vano più velocemente. Solo all'uscita della funzione **SUPER FREEZE** è consigliabile introdurre i cibi all'interno dello scomparto.

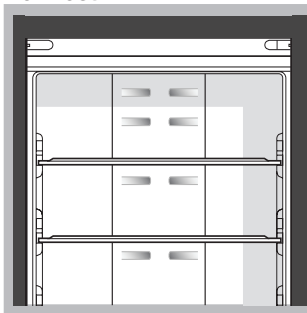
## Come muoversi nel display

### Impostazione delle temperature:

Se il prodotto è acceso, i display del frigorifero e del congelatore visualizzeranno le temperature impostate in quel momento. Per modificarle è sufficiente premere i tasti - e + relativi al vano in cui si vuol cambiare la temperatura. In particolare ogni pressione dei tasti incrementa o diminuisce la temperatura ed in maniera equivalente anche la quantità di freddo generato all'interno del vano. Le temperature del vano frigo selezionabili sono +8°, +7°, +6°, +5°, +4°, +3°, +2°, quelle del congelatore sono -18°, -19°, -20°, -21°, -22°, -24°, -26°. Se è attivato il SUPER FREEZE funzioni, temperatura congelatore non può essere modificato.

## Sistema di raffreddamento

### No Frost



È riconoscibile dalla presenza di celle d'aerazione poste sulle pareti posteriori dei vani.

Il No Frost gestisce un flusso continuo di aria fredda che raccoglie l'umidità e impedisce la formazione di ghiaccio e brina: nel vano frigorifero mantiene il giusto livello di umidità e, grazie all'assenza di brina, preserva le qualità originarie degli alimenti; nel vano congelatore evita la formazione di ghiaccio rendendo superflue le operazioni di sbrinamento ed evitando che gli alimenti si attacchino tra loro.

Non mettere alimenti o contenitori a diretto contatto con la parete refrigerante posteriore, per non ostruire i fori di aerazione e facilitare la formazione di condensa. Chiudere le bottiglie e avvolgere gli alimenti.

## Utilizzare al meglio il frigorifero

- Regolare la temperatura tramite il display.
- Premere il tasto SUPER COOL (raffreddamento rapido) per abbassare la temperatura in poco tempo, per esempio quando il vano viene riempito dopo una grossa spesa. La funzione si disattiva automaticamente trascorso il tempo necessario.
- Inserire soltanto alimenti freddi o appena tiepidi, non caldi (*vedi Precauzioni e consigli*).
- Ricordarsi che gli alimenti cotti non si mantengono più a lungo di quelli crudi.
- Non inserire liquidi in recipienti scoperti: provocherebbero un aumento di umidità con conseguente formazione di condensa.

## ACTIVE OXIGEN

Questo dispositivo rilascia all'interno del frigo molecole di ozono, una sostanza presente in natura in grado di attaccare batteri e microrganismi, riducendo la proliferazione all'interno del frigorifero, e di contenere i cattivi odori. Definisce automaticamente la quantità di ozono necessaria al fine di prolungare la freschezza degli alimenti, abbattere gli odori e prevenire la formazione dei batteri. All'interno del frigo potrebbe essere percepibile un lieve caratteristico odore, lo stesso che accompagna talvolta i temporali, dovuto proprio all'ozono prodotto dalle scariche dei fulmini; ciò è assolutamente normale. La quantità prodotta dal dispositivo è molto piccola e decade rapidamente con l'azione antibatterica. Il dispositivo si attiva premendo l'apposito tasto dedicato presente sul display (porta frigo). A funzione Active Oxigen attiva, il dispositivo effettuerà ciclicamente, (ed in maniera ripetitiva fino a disattivazione della funzione) una emissione di Ozono segnalata dall'accensione del led verde sul dispositivo posto all'interno del vano frigo ed un ciclo di stand-by (senza emissione di Ozono) identificabile grazie alla presenza del led blu



**RIPIANI:** Sono estraibili e regolabili in altezza grazie alle apposite guide, per l'inserimento di contenitori o alimenti di notevole dimensione.

Indicatore **TEMPERATURA\***: per individuare la zona più fredda del frigorifero.

1. Controllare che sull'indicatore risulti ben evidente OK (vedi figura).



2. Se non compare la scritta OK significa che la temperatura è troppo elevata: impostare una temperatura più fredda e attendere circa 10 h finché la temperatura si sia stabilizzata.
3. Controllare nuovamente l'indicatore: se necessario, procedere con una nuova regolazione. Se si sono introdotte grosse quantità di alimenti o si è aperta frequentemente la porta del frigorifero, è normale che l'indicatore non segni OK. Attendere almeno 10 h prima di regolare la manopola FUNZIONAMENTO FRIGORIFERO su una posizione più alta.

## Utilizzare al meglio il congelatore

- Regolare la temperatura tramite il pannello di controllo.
- Gli alimenti freschi da congelare non devono essere posti a contatto con quelli già congelati; vanno sistemati nel vano superiore CONGELAMENTO e CONSERVAZIONE dove la temperatura scende sotto i -18°C e garantisce una buona velocità di congelamento.
- Per congelare i cibi nel modo più corretto e sicuro occorre attivare la funzione SUPER FREEZE 24 ore prima dell'inserimento del cibo. Dopo aver introdotto il cibo è necessario attivare nuovamente la funzione SUPER FREEZE che si disattiverà automaticamente trascorse 24 ore.
- Non ricongelare alimenti che stanno per scongelarsi o scongelati; tali alimenti devono essere consumati entro 24 ore o ricongelati previa cottura.

- Non mettere nel congelatore bottiglie di vetro contenenti liquidi, tappate o chiuse ermeticamente, perché potrebbero rompersi.
- La quantità massima giornaliera di alimenti da congelare è indicata sulla targhetta caratteristiche, posta nel vano frigorifero in basso a sinistra (esempio: Kg/24h 4).

! Per evitare di ostacolare la circolazione dell'aria all'interno del congelatore, si raccomanda di non ostruire con cibi o contenitori i fori di areazione.

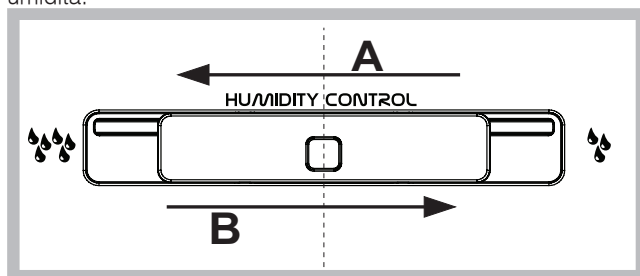
! Durante il congelamento evitare di aprire la porta.

! In caso di interruzione di corrente o di guasto, non aprire la porta del congelatore: in questo modo congelati e surgelati si conserveranno senza alterazioni per circa 9-14 ore.

## Cassetto **FRUTTA e VERDURA\***

I cassetti frutta e verdura di cui è dotato il frigorifero sono appositamente progettati allo scopo di mantenere fresche e fragranti la frutta e le verdure. Aprire il regolatore d'umidità (posizione B)

se si desidera conservare gli alimenti, come la frutta, in un ambiente con poca umidità, o chiudere (posizione A) se si vuole conservare del cibo, come la verdura, in un ambiente con molta umidità.



## Food Care Zone \*

Zona dedicata alla conservazione di alimenti freschi quali carne e pesce. Grazie alla bassa temperatura all'interno dello scomparto, la Food Care Zone consente di allungare i tempi di conservazione fino ad una settimana.

## Food Care Zone 0°C / Safe Defrost\*

Un vano progettato per mantenere la freschezza di cibi delicati come carne e pesce. Grazie alla bassa temperatura del vano gli alimenti possono essere conservati fino a una settimana (test effettuato su prodotti carnei) mantenendo inalterati componenti nutrizionali, aspetto e aroma.

Questo vano è inoltre particolarmente indicato per scongelare i cibi in modo salutare, in quanto, lo scongelamento a bassa temperatura inibisce la proliferazione di microrganismi, preservando il gusto e le proprietà organolettiche del cibo.

Non è adatto per frutta, verdura e insalate, ma può essere adatto per: latte e latticini freschi o freschissimi, pasta fresca, pasta fresca ripiena (volendo anche i cibi cotti o gli avanzi).

## Easy Ice \*

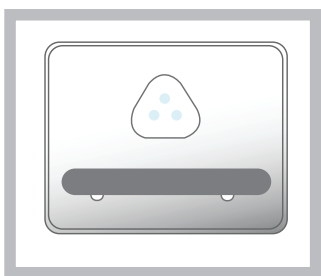
La doppia bacinella è stata progettata per ottimizzare lo spazio nel cassetto freezer e rendere disponibile il ghiaccio in modo rapido e semplice. Le bacinelle possono essere impilate o riempite ed utilizzate separatamente.

Inoltre l'apposito aggancio rende l'Easy Ice una soluzione estremamente flessibile, in quanto è possibile posizionarla nella parte destra o sinistra dei primi cassetti.



## Sostituire la lampadina

La nuova illuminazione a led, grazie alla potente luce diffusa, permette una chiara visione di ogni alimento senza alcuna zona d'ombra. Nel caso sia necessario sostituire il led, rivolgersi al servizio Assistenza Tecnica



## Manutenzione e cura

### Escludere la corrente elettrica

Durante i lavori di pulizia e manutenzione è necessario isolare l'apparecchio dalla rete di alimentazione:

1. Tenere premuto il tasto ON/OFF per spegnere l'apparecchio.
2. Staccare la spina dalla presa.

! Se non si segue questa procedura può scattare l'allarme: esso non è sintomo di anomalia. Per ripristinare il normale funzionamento è sufficiente tenere premuto il tasto ON/OFF per più di due secondi. Per isolare l'apparecchio procedere seguendo i punti 1 e 2.

### Funzione I Care

Al fine di ottimizzare il consumo energetico mantenendo le performance di temperatura del prodotto, si può attivare la funzione I Care. Questa funzione permette il massimo risparmio energetico. In queste condizioni il display resta spento anche all'apertura porta. Tale funzione si attiva tenendo premuto contemporaneamente per almeno 6 secondi il tasto superfreezer e il tasto FRZ (+). Una volta attivata la funzione tutti i led saranno accesi per 2sec come conferma della sua attivazione, e verrà visualizzato sul display l'impostazione di temperatura uguale a +5, -18. Dopo 5s dall'attivazione il display si spegne. Per effettuare variazioni di temperatura è sufficiente premere i tasti + e - fino al raggiungimento della temperatura desiderata. La funzione I Care può essere comunque disattivata, spegnendo il prodotto tramite pulsante di ON/OFF. Alla riaccensione successiva del prodotto la funzione I Care sarà disattiva. In ambienti umidi, con la funzione I Care attivata, potrebbe presentarsi lieve formazione di condensa sulle porte; disattivando la funzione, si ristabiliscono comunque le condizioni standard del prodotto.

### Pulire l'apparecchio

- Le parti esterne, le parti interne e le guarnizioni in gomma possono essere pulite con una spugnetta imbevuta di acqua tiepida e bicarbonato di sodio o sapone neutro. Non usare solventi, abrasivi, candeggina o ammoniacca.

- Gli accessori estraibili possono essere messi a bagno in acqua calda e sapone o detersivo per piatti. Sciacquarli e asciugarli con cura.
- Il retro dell'apparecchio tende a coprirsi di polvere, che può essere eliminata utilizzando con delicatezza, dopo aver spento l'apparecchio e staccato la presa di corrente, la bocchetta lunga dell'aspirapolvere, impostato su una potenza media.

### Evitare muffe e cattivi odori

- L'apparecchio è fabbricato con materiali igienici che non trasmettono odori. Per mantenere questa caratteristica è necessario che i cibi vengano sempre protetti e chiusi bene. Ciò eviterà anche la formazione di macchie.
- Nel caso si voglia spegnere l'apparecchio per un lungo periodo, pulire l'interno e lasciare le porte aperte

## Precauzioni e consigli

! L'apparecchio è stato progettato e costruito in conformità alle norme internazionali di sicurezza.

Queste avvertenze sono fornite per ragioni di sicurezza e devono essere lette attentamente.



Questa apparecchiatura è conforme alle seguenti Direttive Comunitarie:

- 73/23/CEE del 19/02/73 (Bassa Tensione) e successive modificazioni;
- 89/336/CEE del 03/05/89 (Compatibilità Elettromagnetica) e successive modificazioni.
- 2002/96/CE.

### Sicurezza generale

- L'apparecchio è stato concepito per un uso di tipo non professionale all'interno dell'abitazione.
- L'apparecchio deve essere usato per conservare e congelare cibi, solo da persone adulte e secondo le istruzioni riportate in questo libretto.
- L'apparecchio non va installato all'aperto, nemmeno se lo spazio è riparato, perché è molto pericoloso lasciarlo esposto a pioggia e temporali.
- Non toccare l'apparecchio a piedi nudi o con le mani o i piedi bagnati o umidi.
- Non toccare le parti interne raffreddanti: c'è pericolo di ustionarsi o ferirsi.
- Non staccare la spina dalla presa della corrente tirando il cavo, bensì afferrando la spina.
- È necessario staccare la spina dalla presa prima di effettuare operazioni di pulizia e manutenzione. Non è sufficiente premere per più di due secondi il tasto ON/OFF sul display per eliminare ogni contatto elettrico.
- In caso di guasto, in nessun caso accedere ai meccanismi interni per tentare una riparazione.
- Non utilizzare, all'interno degli scomparti conservatori di cibi congelati, utensili taglienti ed appuntiti o apparecchi elettrici se non sono del tipo raccomandato dal costruttore.
- Non mettere in bocca cubetti appena estratti dal congelatore.
- Questo apparecchio non è da intendersi adatto all'uso da parte di persone (incluso bambini) con ridotte capacità fisiche, sensoriali o mentali, o prive di esperienza e conoscenza, a meno che siano state supervisionate o istruite riguardo all'uso dell'apparecchio da una persona responsabile della loro sicurezza. I bambini dovrebbero essere supervisionati per assicurarsi che non giochino con l'apparecchio.
- Gli imballaggi non sono giocattoli per bambini.

## Smaltimento

- Smaltimento del materiale di imballaggio: attenersi alle norme locali, così gli imballaggi potranno essere riutilizzati.
- La direttiva Europea 2012/19/EU sui rifiuti di apparecchiature elettriche ed elettroniche (RAEE), prevede che gli elettrodomestici non debbano essere smaltiti nel normale flusso dei rifiuti solidi urbani. Gli apparecchi dismessi devono essere raccolti separatamente per ottimizzare il tasso di recupero e riciclaggio dei materiali che li compongono ed impedire potenziali danni per la salute e l'ambiente. Il simbolo del cestino barrato è riportato su tutti i prodotti per ricordare gli obblighi di raccolta separata. Quando si acquista una nuova apparecchiatura equivalente si può consegnare il RAEE al negoziante, che è tenuto a ritirarlo gratuitamente; i RAEE di "piccolissime dimensioni" (nessun lato sopra i 25 cm) possono essere consegnati gratuitamente ai negozianti anche se non si acquista nulla (solo nei negozi con superficie di vendita superiore a 400 mq). Per ulteriori informazioni sulla corretta dismissione degli elettrodomestici i detentori potranno rivolgersi al servizio pubblico preposto o ai rivenditori.

## Risparmiare e rispettare l'ambiente

- Installare l'apparecchio in un ambiente fresco e ben aerato, proteggerlo dall'esposizione diretta ai raggi solari, non disporlo vicino a fonti di calore.
- Per introdurre o estrarre gli alimenti, aprire le porte dell'apparecchio il più brevemente possibile. Ogni apertura delle porte causa un notevole dispendio di energia.
- Non riempire con troppi alimenti l'apparecchio: per una buona conservazione, il freddo deve poter circolare liberamente. Se si impedisce la circolazione, il compressore lavorerà continuamente.
- Non introdurre alimenti caldi: alzerebbero la temperatura interna costringendo il compressore a un grosso lavoro, con grande spreco di energia elettrica.
- Sbrinare l'apparecchio qualora si formasse del ghiaccio (*vedi Manutenzione*); uno spesso strato di ghiaccio rende più difficile la cessione di freddo agli alimenti e fa aumentare il consumo di energia.

## Anomalie e rimedi

Può accadere che l'apparecchio non funzioni. Prima di telefonare all'Assistenza (vedi Assistenza), controllare che non si tratti di un problema facilmente risolvibile aiutandosi con il seguente elenco.

### Il display è spento.

- La spina non è inserita nella presa della corrente o non abbastanza da fare contatto, oppure in casa non c'è corrente.
- La funzione I-Care è attiva.

### Il motore non parte.

- L'apparecchio è dotato di un controllo salvamotore (vedi Avvio e utilizzo).

### Il display è debolmente acceso.

- Staccare la spina e reinserirla nella presa dopo averla girata su se stessa.

### Suona l'allarme, sul display lampeggia l'ALLARME PORTA APERTA (al posto della temperatura FRIGO viene visualizzato "dr").

- La porta del frigorifero è rimasta aperta per più di due minuti. Il segnale acustico cessa alla chiusura della porta o spegnendo e riavviando il prodotto.

### Suona l'allarme, lampeggia sul display l'ALLARME TEMPERATURA (al posto della temperatura FREEZER viene visualizzato "A1").

- L'apparecchio segnala un riscaldamento eccessivo del congelatore. Il congelatore si manterrà a una temperatura intorno a 0°C per non far ricongelare gli alimenti, permettendo di consumarli entro 24 ore o di ricongelarli previa cottura. Per spegnere il segnale acustico aprire e chiudere la porta oppure premere una volta i tasti + e - della regolazione temperatura del congelatore. Premere una seconda volta tali tasti per visualizzare sul display del congelatore il valore impostato, spegnere il LED ALLARME TEMPERATURA e ripristinare il normale funzionamento.

### Suona l'allarme, sul display lampeggia l'allarme temperatura (al posto della temperatura FREEZER viene visualizzato "A2").

- L'apparecchio segnala un riscaldamento pericoloso del congelatore: gli alimenti non devono essere consumati. Il congelatore si manterrà a una temperatura intorno a -18°C. Per spegnere il segnale acustico aprire e chiudere la porta oppure premere una volta i tasti + e - della regolazione temperatura del congelatore. Premere una seconda volta per visualizzare sul display del congelatore il valore impostato, spegnere il LED ALLARME TEMPERATURA e ripristinare il normale funzionamento.

### Il frigorifero e il congelatore raffreddano poco.

- Le porte non chiudono bene o le guarnizioni sono rovinate.
- Le porte vengono aperte molto spesso.
- Si è impostata una temperatura troppo calda (vedi Avvio e utilizzo).
- Il frigorifero o il congelatore sono stati riempiti eccessivamente.

### Nel frigorifero gli alimenti si gelano.

- Si è impostata una temperatura troppo fredda (vedi Avvio e utilizzo).

### Il motore funziona di continuo.

- La funzione che super FREEZE è stata abilitata
- La porta non è ben chiusa o viene aperta di continuo.
- La temperatura dell'ambiente esterno è molto alta.

### L'apparecchio emette molto rumore.

- L'apparecchio non è stato installato ben in piano (vedi Installazione).
- L'apparecchio è stato installato tra mobili o oggetti che vibrano ed emettono rumori.
- Il gas refrigerante interno produce un leggero rumore anche quando il compressore è fermo: non è un difetto, è normale.

### Termine anticipato delle funzioni.

- Disturbi elettrici sulla rete o brevi interruzioni della tensione di alimentazione.