

# Instructions for use

Washer-dryer

GB

GB

English,1

FR

Français,13

NL

Nederlands,25


SR

Српски,37

DE

Deutsch,49

**XWDA 751480**

!  This symbol reminds you to read this instruction manual.

## Contents

### Installation, 2-3

Unpacking and levelling  
Connecting the electricity and water supplies  
The first wash cycle  
Technical data

### Care and maintenance, 4

Cutting off the water or electricity supply  
Cleaning the Washer-dryer  
Cleaning the detergent dispenser drawer  
Caring for the door and drum of your appliance  
Cleaning the pump  
Checking the water inlet hose

### Precautions and tips, 5

General safety  
Load balancing system  
Disposal

### Description of the Washer-dryer and starting a wash cycle, 6-7

Control panel  
Indicator lights  
Starting a wash cycle

### Wash cycles, 8

Push&Wash+Dry  
Table of wash cycles

### Personalisation, 9

Setting the temperature  
Setting the drying cycle  
Wash options

### Detergents and laundry, 10

Detergent dispenser drawer  
Bleach cycle  
Preparing the laundry  
Garments requiring special care

### Troubleshooting, 11

### Service, 12

# Installation

GB

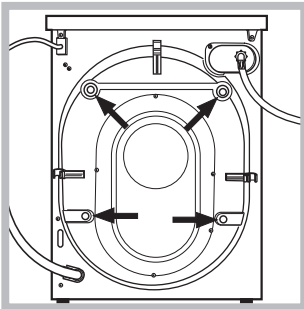
! This instruction manual should be kept in a safe place for future reference. If the Washer-dryer is sold, transferred or moved, make sure that the instruction manual remains with the machine so that the new owner is able to familiarise himself/herself with its operation and features.

! Read these instructions carefully: they contain vital information relating to the safe installation and operation of the appliance.

## Unpacking and levelling

### Unpacking

1. Remove the Washer-dryer from its packaging.  
2. Make sure that the Washer-dryer has not been damaged during the transportation process. If it has been damaged, contact the retailer and do not proceed any further with the installation process.



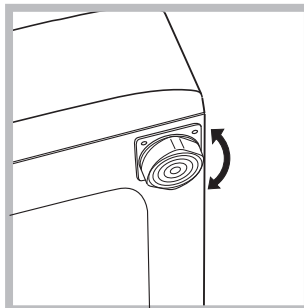
3. Remove the 4 protective screws (used during transportation) and the rubber washer with the corresponding spacer, located on the rear part of the appliance (see figure).

4. Close off the holes using the plastic plugs provided.  
5. Keep all the parts in a safe place: you will need them again if the Washer-dryer needs to be moved to another location.

! Packaging materials should not be used as toys for children.

### Levelling

1. Install the Washer-dryer on a flat sturdy floor, without resting it up against walls, furniture cabinets or anything else.

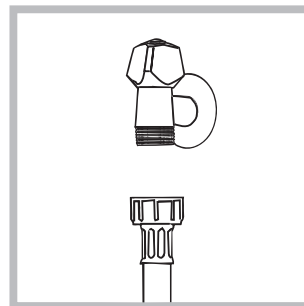


2. If the floor is not perfectly level, compensate for any unevenness by tightening or loosening the adjustable front feet (see figure); the angle of inclination, measured in relation to the worktop, must not exceed 2°.

Levelling the machine correctly will provide it with stability, help to avoid vibrations and excessive noise and prevent it from shifting while it is operating. If it is placed on carpet or a rug, adjust the feet in such a way as to allow a sufficient ventilation space underneath the Washer-dryer.

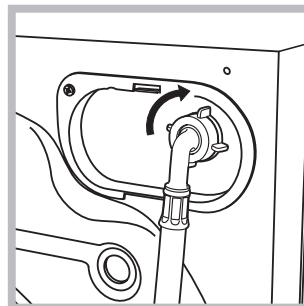
## Connecting the electricity and water supplies

### Connecting the water inlet hose



1. Connect the inlet hose by screwing it to a cold water tap using a 3/4 gas threaded connection (see figure).

Before performing the connection, allow the water to run freely until it is perfectly clear.



2. Connect the inlet hose to the Washer-dryer by screwing it onto the corresponding water inlet of the appliance, which is situated on the top right-hand side of the rear part of the appliance (see figure).

3. Make sure that the hose is not folded over or bent.

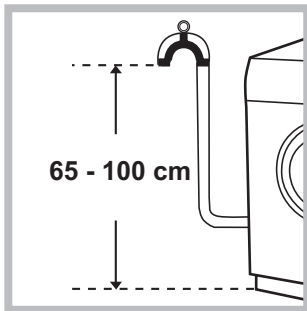
! The water pressure at the tap must fall within the range of values indicated in the Technical data table (see next page).

! If the inlet hose is not long enough, contact a specialised shop or an authorised technician.

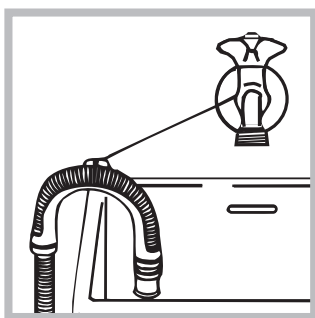
! Never use second-hand hoses.

! Use the ones supplied with the machine.

## Connecting the drain hose



Connect the drain hose, without bending it, to a drain duct or a wall drain situated between 65 and 100 cm from the floor;



alternatively, placed it over the edge of a basin, sink or tub, fastening the duct supplied to the tap (see *figure*). The free end of the hose should not be underwater.

! We advise against the use of hose extensions; if it is absolutely necessary, the extension must have the same diameter as the original hose and must not exceed 150 cm in length.

## Electrical connections

Before plugging the appliance into the electricity socket, make sure that:

- the socket is earthed and complies with all applicable laws;
- the socket is able to withstand the maximum power load of the appliance as indicated in the Technical data table (see *opposite*);
- the power supply voltage falls within the values indicated in the Technical data table (see *opposite*);
- the socket is compatible with the plug of the Washer-dryer. If this is not the case, replace the socket or the plug.

! The Washer-dryer must not be installed outdoors, even in covered areas. It is extremely dangerous to leave the appliance exposed to rain, storms and other weather conditions.

! When the Washer-dryer has been installed, the electricity socket must remain within easy reach.

! Do not use extension cords or multiple sockets.



! The cable should not be bent or compressed.

! The power supply cable must only be replaced by authorised technicians.

Warning! The company shall not be held responsible in the event that these standards are not observed.

## The first wash cycle

Once the appliance has been installed, and before you use it for the first time, run a wash cycle with detergent and no laundry, using the wash cycle “Auto Clean” (see “Cleaning the Washer-dryer”).

Technical data	
<b>Model</b>	XWDA 751480
<b>Dimensions</b>	width 59.5 cm height 85 cm depth 54 cm
<b>Capacity</b>	from 1 to 7 kg for wash programme from 1 to 5 kg for the drying programme
<b>Electrical connections</b>	please refer to the technical data plate fixed to the machine
<b>Water connections</b>	maximum pressure 1 MPa (10 bar) minimum pressure 0.05 MPa (0.5 bar) drum capacity 52 litres
<b>Spin speed</b>	up to 1400 rotations per minute
<b>Energy rated programmes according to regulation EN 50229</b>	<b>wash:</b> programme 8; temperature 60°C; using a load of 7 kg. <b>drying:</b> the smaller load (2kg) must be dried by selecting the “☁” dryness level. The load must consist of 2 sheets, 1 pillowcase and 2 hand towels; the remainder of the load must be dried by selecting the “☁☁” dryness level.
 	This appliance conforms to the following EC Directives: - 2004/108/EC (Electromagnetic Compatibility) - 2006/95/EC (Low Voltage) - 2012/19/EU - WEEE

# Care and maintenance

GB

## Cutting off the water and electricity supplies

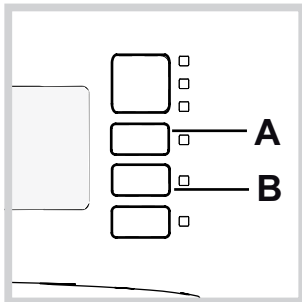
- Turn off the water tap after every wash cycle. This will limit wear on the hydraulic system inside the Washer-dryer and help to prevent leaks.
- Unplug the Washer-dryer when cleaning it and during all maintenance work.

## Cleaning the Washer-dryer

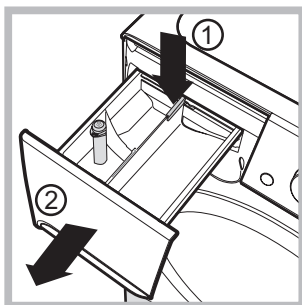
- The outer parts and rubber components of the appliance can be cleaned using a soft cloth soaked in lukewarm soapy water. Do not use solvents or abrasives.
- The Washer-dryer has a “Auto Clean” programme for its internal parts that **must be run with no load in the drum**.

For maximum performance you may want to use either the detergent (i.e. a quantity 10% the quantity specified for lightly-soiled garments) or special additives to clean the Washer-dryer. We recommend running a cleaning programme every 40 wash cycles.

To start the programme press buttons **A** and **B** simultaneously for 5 seconds (see figure). The programme will start automatically and will last approximately 70 minutes. To stop the cycle press the START/PAUSE button.



## Cleaning the detergent dispenser drawer



To remove the drawer, press lever (1) and pull the drawer outwards (2) (see figure). Wash it under running water; this procedure should be repeated frequently.

## Caring for the door and drum of your appliance

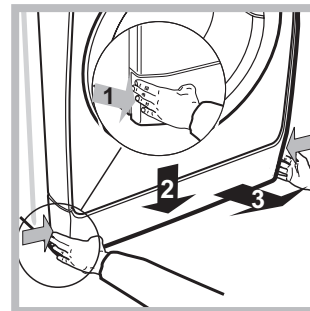
- Always leave the porthole door ajar in order to prevent unpleasant odours from forming.

## Cleaning the pump

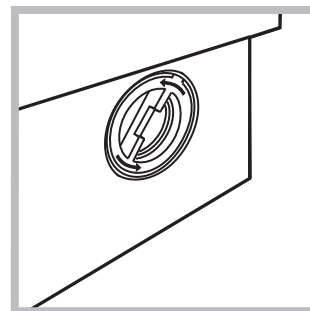
The Washer-dryer is fitted with a self-cleaning pump which does not require any maintenance. Sometimes, small items (such as coins or buttons) may fall into the protective pre-chamber at the base of the pump.

**!** Make sure the wash cycle has finished and unplug the appliance.

To access the pre-chamber:



1. Take off the cover panel on the front of the machine by first pressing it in the centre and then pushing downwards on both sides until you can remove it (see figures).



2. Unscrew the lid by rotating it anti-clockwise (see figure); a little water may trickle out. This is perfectly normal.

3. Clean the inside thoroughly.
4. Screw the lid back on.
5. Reposition the panel, making sure the hooks are securely in place before you push it onto the appliance.

## Checking the water inlet hose

Check the inlet hose at least once a year. If there are any cracks, it should be replaced immediately: during the wash cycles, water pressure is very strong and a cracked hose could easily split open.

**!** Never use second-hand hoses.

! This washer-dryer was designed and constructed in accordance with international safety regulations. The following information is provided for safety reasons and must therefore be read carefully.

## General safety

- This appliance was designed for domestic use only.
  - This appliance can be used by children aged from 8 years and above and persons with reduced physical, sensory or mental capabilities or lack of experience and knowledge if they have been given supervision or instruction concerning use of the appliance in a safe way and understand the hazards involved. Children shall not play with the appliance. Cleaning and user maintenance shall not be made by children without supervision.
    - Do not dry unwashed items in the tumble dryer.
    - Items that have been soiled with substances such as cooking oil, acetone, alcohol, petrol, kerosene, spot removers, turpentine, waxes and wax removers should be washed in hot water with an extra amount of detergent before being dried in the tumble dryer.
    - Items such as foam rubber (latex foam), shower caps, waterproof textiles, rubber backed articles and clothes or pillows fitted with foam rubber pads should not be dried in the tumble dryer.
    - Fabric softeners, or similar products, should be used as specified by the fabric softener instructions.
    - The final part of a tumble dryer cycle occurs without heat (cool down cycle) to ensure that the items are left at a temperature that ensures that the items will not be damaged.
- WARNING:** Never stop a tumble dryer before the end of the drying cycle unless all items are quickly removed and spread out so that the heat is dissipated.
- Do not touch the machine when barefoot or with wet or damp hands or feet.
  - Do not pull on the power supply cable when unplugging the appliance from the electricity socket. Hold the plug and pull.
  - Do not open the detergent dispenser drawer while the machine is in operation.
  - Do not touch the drained water as it may reach extremely high temperatures.
  - Never force the porthole door. This could damage the safety lock mechanism designed to prevent accidental opening.
  - If the appliance breaks down, do not under any circumstances access the internal mechanisms in an attempt to repair it yourself.
  - Always keep children well away from the appliance while it is operating.
  - The door can become quite hot during the wash cycle.
  - If the appliance has to be moved, work in a group of two or three people and handle it with the utmost care. Never try to do this alone, because the appliance is very heavy.

- Before loading laundry into the washer-dryer, make sure the drum is empty.
- During the drying phase, the door tends to get quite hot.
- Do not use the appliance to dry clothes that have been washed with flammable solvents (e.g. trichlorethylene).
- Do not use the appliance to dry foam rubber or similar elastomers.
- Make sure that the water tap is turned on during the drying cycles.
- Children of less than 3 years should be kept away from the appliance unless continuously supervised.
- Remove all objects from pockets such as lighters and matches.

## Load balancing system

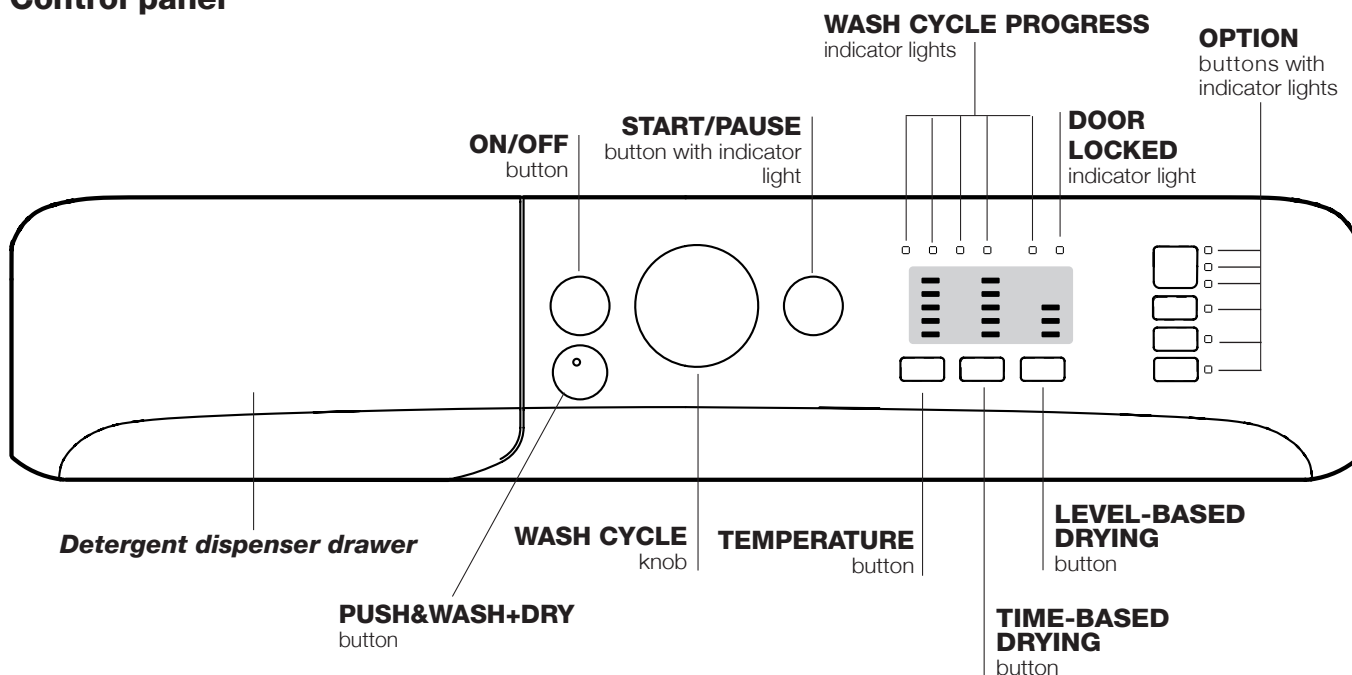
Before every spin cycle, to avoid excessive vibrations and to distribute the load in a uniform manner, the drum rotates continuously at a speed which is slightly greater than the washing rotation speed. If, after several attempts, the load is not balanced correctly, the machine spins at a reduced spin speed. If the load is excessively unbalanced, the Washer-dryer performs the distribution process instead of spinning. To encourage improved load distribution and balance, we recommend small and large garments are mixed in the load.

## Disposal

- Disposing of the packaging materials: observe local regulations so that the packaging may be re-used.
- The European Directive 2012/19/EU (WEEE) on Waste Electrical and Electronic Equipment, requires that old household electrical appliances must not be disposed of in the normal unsorted municipal waste stream. Old appliances must be collected separately in order to optimise the recovery and recycling of the materials they contain and reduce the impact on human health and the environment. The crossed out "wheeled bin" symbol on the product reminds you of your obligation, that when you dispose of the appliance it must be separately collected. Consumers should contact their local authority or retailer for information concerning the correct disposal of their old appliance.

# Description of the Washer-dryer and starting a wash cycle

## Control panel



**Detergent dispenser drawer:** used to dispense detergents and washing additives (see “Detergents and laundry”).

**ON/OFF button:** switches the Washer-dryer on and off.

**PUSH&WASH+DRY button:** (see “Wash cycles”).

**WASH CYCLE knob:** programmes the wash cycles. During the wash cycle, the knob does not move.

**OPTION buttons with indicator light:** used to select the available functions. The indicator light corresponding to the selected function will remain lit.

**TEMPERATURE button:** sets the temperature or the cold wash cycle (see “Personalisation”).


**TIME-BASED DRYING button:** press to select the desired drying time. The selected drying time is shown by the indicator lights above.

**LEVEL-BASED DRYING button:** press to select the desired drying level. The selected drying level is shown by the indicator lights above.

**WASH CYCLE PROGRESS indicator lights:** used to monitor the progress of the wash cycle. The illuminated indicator light shows which phase is in progress.

**DOOR LOCKED indicator light:** indicates whether the door may be opened or not (see next page).

**START/PAUSE button with indicator light:** starts or temporarily interrupts the wash cycles.

**N.B.** To pause the wash cycle in progress, press this button; the corresponding indicator light will flash orange, while the indicator light for the current wash cycle phase will remain lit in a fixed manner. If the DOOR LOCKED  indicator light is switched off, the door may be opened (wait approximately 3 minutes).

To start the wash cycle from the point at which it was interrupted, press this button again.

### Standby mode

This Washer-dryer, in compliance with new energy saving regulations, is fitted with an automatic standby system which is enabled after about 30 minutes if no activity is detected. Press the ON-OFF button briefly and wait for the machine to start up again.

Consumption in off-mode: 0,5 W





Consumption in Left-on: 8 W

## Indicator lights

The indicator lights provide important information. This is what they can tell you:

### Wash cycle phase indicator lights

Once the desired wash cycle has been selected and has begun, the indicator lights switch on one by one to indicate which phase of the cycle is currently in progress.

Wash	
Rinse	
Spin/Drain	
Drying	
End of wash cycle	<b>END</b>

### Function buttons and corresponding indicator lights

When a function is selected, the corresponding indicator light will illuminate.

If the selected function is not compatible with the programmed wash cycle, the corresponding indicator light will flash and the function will not be activated.

If the selected option is not compatible with another previously selected option, the indicator light will flash accompanied by a buzzer (3 beeps), and only the latter option will be activated; the indicator light corresponding to the activated option will turn on.

### Door locked indicator light

When the indicator light is on, the porthole door is locked to prevent it from being opened; make sure the indicator light is off before opening the door (wait approximately 3 minutes).

To open the door during a running wash cycle, press the START/PAUSE button; the door may be opened once the DOOR LOCKED indicator light turns off.


## Starting a wash cycle

### Rapid programming

- LOAD THE LAUNDRY.** Open the porthole door. Load the laundry, making sure you do not exceed the maximum load value indicated in the table of programmes and wash cycles on the following page.
- ADD THE DETERGENT.** Pull out the detergent dispenser drawer and pour the detergent into the relevant compartments as described in *"Detergents and laundry"*.
- CLOSE THE DOOR.**
- Press the "Push&Wash+Dry" button to start the programme.

### Traditional programming


- Turn the Washer-dryer on by pressing the ON/OFF button. All the indicator lights will turn on for a few seconds, then only the indicator lights relative to the selected programme settings will remain lit and the START/PAUSE indicator light will flash.

- Load the laundry and close the door.
- Set the WASH CYCLE knob to the desired programme.
- Set the washing temperature (see *"Personalisation"*).
- Set the drying cycle if necessary (see *"Personalisation"*).
- Measure out the detergent and washing additives (see *"Detergents and laundry"*).
- Select the desired functions.
- Start the wash cycle by pressing the START/PAUSE button and the corresponding indicator light will remain lit in a fixed manner in green. To cancel the set wash cycle, pause the machine by pressing the START/PAUSE button and select a new cycle.
- At the end of the wash cycle the **END** indicator light will switch on. The door can be opened once the DOOR LOCK  indicator light turns off (wait approximately 3 minutes). Take out your laundry and leave the appliance door ajar to make sure the drum dries completely. Switch the Washer-dryer off by pressing the ON/OFF button.



# Wash cycles

GB




## Push&Wash+Dry

This function makes it possible to start an automatic wash and drying cycle either when the machine is off without having to press the ON/OFF button in advance, or after switching on the machine without having activated any button and/or selector (otherwise the Push&Wash+Dry function will be deactivated). To start the Push&Wash+Dry cycle press and hold the button for 2 seconds. The indicator lights up to show that the cycle has started. The wash and drying cycle is ideal for cotton or synthetic fabrics, as it washes them at a temperature of 30° and a maximum spin speed of 1000 rpm. During the drying cycle the maximum temperature is 60°C. At the end of the cycle the residual humidity will be the same as for the “” level. Max recommended load 2,5 kg. (Cycle duration 210’).

### How does it work?

1. Load the laundry (cotton and/or synthetic garments) and close the door.
2. Pour the detergent and/or additives.
3. Start the cycle by pressing and holding the Push&Wash+Dry button for 2 seconds. The relevant indicator light will turn green and the door will lock (the DOOR LOCKED symbol is lit).  
NB: starting the cycle through the Push&Wash+Dry button activates an automatic non-customisable wash and drying cycle recommended for cotton and synthetic fabrics.
4. The automatic cycle can be used only for washing, excluding the drying phase. Press the Push&Wash+Dry button and then the drying button : the drying icon of the “” level will switch off. Maximum load for washing-only is 3,5 kg (Cycle duration 50’). The cycle cannot be customised further.  
To open the door while an automatic cycle is under way, press the START/PAUSE button. If the DOOR LOCKED symbol is off, the door may be opened only during the washing phase. Press the START/PAUSE button again to restart the wash cycle from the point at which it was interrupted.
5. Once the programme is finished, the END indicator light turns on.

## Table of wash cycles

Wash cycles	Description of the wash cycle	Max. temp. (°C)	Max. speed (rpm)	Drying	Maximum load for drying (kg)	Detergents				Maximum load for washing (Kg)	Duration of wash cycle
						Prewash	Wash	Fabric softener	Bleach		
<b>Special</b>											
1	<b>Sport</b>	30°	600	●	3	-	●	●	-	3,5	55'
2	<b>Dark</b>	30°	800	●	2,5	-	●	●	-	4	70'
3	<b>Anti-odour (Cotton)</b>	60°	1000	●	3,5	-	●	●	-	3,5	110'
3	<b>Anti-odour (Synthetic)</b>	40°	1000	●	3	-	●	●	-	3,5	100'
4	<b>Delicate</b>	30°	0	●	1	-	●	●	-	1	80'
5	<b>Wool:</b> for wool, cashmere, etc.	40°	800	●	1,5	-	●	●	-	1,5	70'
6	<b>Rapid 30'</b>	30°	800	●	3	-	●	●	-	3	30'
<b>Standard</b>											
7	<b>Cottons with Pre-wash:</b> extremely soiled whites.	90°	1400	●	5	●	●	●	-	7	170'
8	 <b>Cotton Standard 60° (1-2):</b> heavily soiled whites and resistant colours.	60° (Max. 90°)	1400	●	5	-	●	●	-	7	170'
9	<b>Synthetic:</b> heavily soiled resistant colours.	60°	800	●	3	-	●	●	-	3,5	110'
10	<b>Coloured</b>	40°	1400	●	5	-	●	●	-	7	100'
11	<b>Eco Cotton 20°:</b> lightly soiled whites and delicate colours.	20°	1400	●	5	-	●	●	-	7	170'
12	<b>Eco Synthetic</b>	20°	800	●	5	-	●	●	-	7	120'
<b>Automatic</b>											
13	<b>Wash&amp;Dry 45'</b>	30°	1400	●	1	-	●	●	-	1	45'
14	<b>AirFresh</b>	-	-	●	1,5	-	-	-	-	-	30'
<b>Partials</b>											
	Rinse/Bleach	-	1400	●	5	-	-	●	●	7	50'
	Spin + Drain	-	1400	●	5	-	-	-	-	7	10'

The length of cycle shown on the display or in this booklet is an estimation only and is calculated assuming standard working conditions. The actual duration can vary according to factors such as water temperature and pressure, the amount of detergent used, the amount and type of load inserted, load balancing and any wash options selected.

For all Test Institutes:

- 1) Test wash cycle in compliance with regulation EN 50229: select wash cycle 8 with a temperature of 60°C.
- 2) Long wash cycle for cottons: select wash cycle 8 with a temperature of 40.



## Setting the temperature

Press the TEMPERATURE button to set the wash temperature (see *Table of wash cycles*). The temperature may be lowered, or even set to a cold wash ❄️. The Washer-dryer will automatically prevent you from selecting a temperature which is higher than the maximum value set for each wash cycle.

! Exception: if the 8 programme is selected, the temperature can be increased up to a value of 90°C.

## Setting the drying cycle

Two different types of drying are possible: **time-based** and **level-based**.

Press the TIME-BASED DRYING button ⏱️ to set the desired drying duration: **40' - 90' - 120' - 150' - 180'**.

When the button is pressed for the first time, the selected time will be the minimum time allowed for the set cycle.

When the machine has started the drying phase, press the TIME-BASED DRYING button again to reduce the drying duration that was set previously. The indicator lights will show the new drying duration selected and the time remaining will consider the time that has elapsed.

Press the LEVEL-BASED DRYING button 📦 to set the desired drying level:

**Cupboard** 📦: suitable for laundry which can be put back in a cupboard without being ironed.

**Hanger** 👔: ideal for clothes which do not need to be dried fully.

**Iron** 🧺: suitable for clothes which will need ironing afterwards. the remaining dampness softens creases, making them easier to remove.

If your laundry load to be washed and dried is much greater than the maximum stated load (see *adjacent table of wash cycles*), perform the wash cycle, and when the cycle is complete, divide the garments into groups and put some of them back in the drum. At this point, follow the instructions provided for a **“Drying only”** cycle. Repeat this procedure for the remainder of the load. A cooling-down period is always added to the end of each drying cycle.

**Note:** if all the drying indicator lights are off, the machine will **not** perform the drying cycle.

## Drying only

Press button 🧺 to perform the drying-only cycle. After selecting the desired cycle (compatible with the type of garments), press button 🧺 to exclude the washing phase and start the drying phase at the maximum level for the selected cycle. The drying level and duration can be set and changed by pressing the drying buttons ⏱️, 📦.

(Not compatible with cycles 13 and 14).

## Wash options

The various wash options available with this Washer-dryer will help to achieve the desired results, every time.

To activate the functions:

1. Press the button corresponding to the desired function;
2. the function is enabled when the corresponding indicator light is illuminated.

Note:

- If the selected function is not compatible with the programmed wash cycle, the corresponding indicator light will flash and the function will not be activated.
- If the selected option is not compatible with another previously selected option, the indicator light will flash accompanied by a buzzer (3 beeps), and only the latter option will be activated; the indicator light corresponding to the activated option will turn on.

## 🧼 Stain removal

This option allows for selecting the type of dirt so as to optimally adjust the cycle for removing the stains. The following types of dirt can be selected:

- 🍴 **Food**, for stains caused by foodstuffs and beverages, for example.
- 🧑‍🏭 **Work**, for grease and ink stains, for example.
- 🏡 **Outdoor**, for mud and grass stains, for example.

! The wash cycle duration varies according to the type of selected dirt.



Press this button to reduce the spin speed.

## 🚿 Extra Rinse

By selecting this option, the efficiency of the rinse is increased and optimal detergent removal is guaranteed. It is particularly useful for sensitive skin.

**Table of drying times (guideline values)**

Fabric type	Load type	Max. load (kg)	Cupboard	Hanger	Iron
Cotton	Clothing of different sizes, Terry towels	5	250	210	190
Synthetic	Sheets, Shirts, Pyjamas, socks, etc.	3	180	130	115
Wool	Knitwear, Pullovers, etc.	1,5	155	135	115

# Detergents and laundry

GB

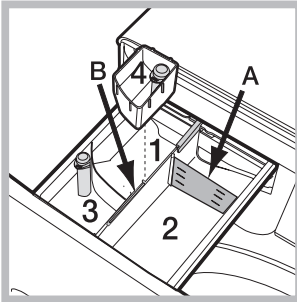
## Detergent dispenser drawer

Successful washing results also depend on the correct dose of detergent: adding too much detergent will not necessarily result in a more efficient wash, and may in fact cause build up on the inside of your appliance and contribute to environmental pollution.

! Do not use hand washing detergents because these create too much foam.

! Use powder detergent for white cotton garments, for pre-washing, and for washing at temperatures over 60°C.

! Follow the instructions given on the detergent packaging.



Open the detergent dispenser drawer and pour in the detergent or washing additive, as follows.

### Compartment 1: Pre-wash detergent (powder)

Before pouring in the detergent, make sure that extra compartment 4 has been removed.

### Compartment 2: Washing detergent (powder or liquid)

If liquid detergent is used, it is recommended that the removable plastic partition **A** (supplied) be used for proper dosage. If powder detergent is used, place the partition into slot **B**.


### Compartment 3: Additives (fabric softeners, etc.)

The fabric softener must not exceed the "max" level indicated on the central pin.

### Extra compartment 4: Bleach

#### Bleach cycle

Insert the additional compartment **4** (provided) into compartment **1**. In pouring the bleach do not exceed the "max" level indicated on the central pin.

Perform bleaching by pouring the bleach into additional compartment **4** and set the programme .

! Traditional bleach should be used on resistant white fabrics, and delicate bleach for coloured and synthetics fabrics and for wool.

## Preparing the laundry

- Divide the laundry according to:
  - the type of fabric/the symbol on the label
  - the colours: separate coloured garments from whites.
- Empty all garment pockets and check the buttons.
- Do not exceed the values listed in the "Table of wash cycles", which refer to the weight of the laundry when dry.

### How much does your laundry weigh?

- 1 sheet 400-500 g
- 1 pillow case 150-200 g
- 1 tablecloth 400-500 g
- 1 bathrobe 900-1.200 g
- 1 towel 150-250 g

## Garments requiring special care

**Sport** (programme **1**) is designed for washing lightly soiled sports clothing (tracksuits, shorts, etc.); for best results, we recommend not exceeding the maximum load indicated in the "Table of wash cycles". We recommend using liquid detergent, and adding the amount suitable for a half-load.

**Dark:** use programme **2** to wash dark-coloured garments. This programme is designed to maintain dark colours over time. We recommend using a liquid detergent for the best results when washing dark-coloured garments.

When you select the drying function, at the end of the washing cycle the machine will automatically perform a delicate drying cycle that preserves the colours of the garments. The display will show the level "☁".

Max. load: 2,5 kg.

**Anti-odour:** use programme **3** for washing garments with bad odours (e.g. smoke, sweat, fried food). The programme is designed to remove bad odours while preserving the fabric fibres. Synthetics fabrics or mixed loads should be washed at 40°, and resistant cotton fabrics at 60°.

**Delicate:** use programme **4** to wash very delicate garments. It is advisable to turn the garments inside out before washing them. For best results, use liquid detergent on delicate garments.

When selecting an exclusively time-based drying function, a drying cycle is performed at the end of the wash cycle that is particularly delicate, thanks to light handling and appropriate temperature control of the water jet.

The recommended durations are:

1 kg of synthetic garments --> 150 min

1 kg of synthetic and cotton garments --> 180 min

1 kg of cotton garments --> 180 min

The degree of dryness depends on the load and fabric composition.

**Wool:** the wool wash programme of this machine has been tested and approved by The Woolmark Company for the washing of wool containing garments labelled as "hand wash" provided that the garments are washed according to the instructions on the garment label and those issued by the manufacturer of this washer-dryer. (M1126)



In UK, Eire, Hong Kong and India the Woolmark trade mark is a Certification trade mark.

**Rapid 30'** (programme **6**) this programme is designed to wash lightly soiled garments at 30° (excluding wool and silk) with a 3 kg maximum load in a short time: it only lasts 30 minutes and allows for saving time and energy

**Coloured:** use this programme **10** to wash bright coloured clothes. The programme is designed to maintain bright colours over time.

**Eco Cotton 20°** (programme **11**) ideal for lightly soiled cotton loads. The effective performance levels achieved at cold temperatures, which are comparable to washing at 40°, are guaranteed by a mechanical action which operates at varying speed, with repeated and frequent peaks.

**Eco Synthetic** (programme **12**) ideal for mixed loads (cotton and synthetics) with a normal soil level. The effective performance levels achieved at cold temperatures are guaranteed by a mechanical action which operates at varying speed, across set average intervals.

**Wash&Dry 45'** select programme **13** for washing and drying lightly soiled garments (Cotton and Synthetic) in a short time. This cycle may be used to wash and dry a laundry load of up to 1 kg in just 45 minutes. To achieve optimum results, use liquid detergent and pre-treat cuffs, collars and stains.

**AirFresh** (programme **14**) ideal cycle to refresh garments and remove bad odours, in particular smoke, from cotton and synthetic items in 30' (max 1.5kg) without the washing phase.

Your Washer-dryer could fail to work. Before contacting the Technical Assistance Centre (see “Assistance”), make sure that the problem cannot be solved easily using the following list.

## Problem:

**The Washer-dryer does not switch on.**

**The wash cycle does not start.**

**The Washer-dryer does not take in water (the indicator light for the first wash cycle stage flashes rapidly).**

**The Washer-dryer continuously takes in and drains water.**

**The Washer-dryer does not drain or spin.**

**The Washer-dryer vibrates a lot during the spin cycle.**

**The Washer-dryer leaks.**

**The “Options” indicator lights and the “start/pause” indicator light flash, while one of the “phase in progress” indicator lights and the “door locked” indicator light will remain lit in a fixed manner.**

**There is too much foam.**

**Push&Wash+Dry does not activate.**

**The washer-dryer does not dry.**

## Possible causes / Solutions:

- The appliance is not plugged into the socket fully, or is not making contact.
  - There is no power in the house.
  - The Washer-dryer door is not closed properly.
  - The ON/OFF button has not been pressed.
  - The START/PAUSE button has not been pressed.
  - The water tap has not been opened.
  - The water inlet hose is not connected to the tap.
  - The hose is bent.
  - The water tap has not been opened.
  - There is no water supply in the house.
  - The pressure is too low.
  - The START/PAUSE button has not been pressed.
  - The drain hose is not fitted at a height between 65 and 100 cm from the floor (see “Installation”).
  - The free end of the hose is under water (see “Installation”).
  - The wall drainage system is not fitted with a breather pipe.
- If the problem persists even after these checks, turn off the water tap, switch the appliance off and contact the Assistance Service. If the dwelling is on one of the upper floors of a building, there may be problems relating to water drainage, causing the Washer-dryer to fill with water and drain continuously. Special anti-draining valves are available in shops and help to avoid this inconvenience.
- The wash cycle does not include draining: some wash cycles require the drain phase to be started manually.
  - The drain hose is bent (see “Installation”).
  - The drainage duct is clogged.
  - The drum was not unlocked correctly during installation (see “Installation”).
  - The Washer-dryer is not level (see “Installation”).
  - The Washer-dryer is trapped between cabinets and walls (see “Installation”).
  - The water inlet hose is not screwed on properly (see “Installation”).
  - The detergent dispenser drawer is blocked (for cleaning instructions, see “Care and maintenance”).
  - The drain hose is not fixed properly (see “Installation”).
  - Switch off the machine and unplug it, wait for approximately 1 minute and then switch it back on again.  
If the problem persists, contact the Technical Assistance Service.
  - The detergent is not suitable for machine washing (it should display the text “for Washer-dryers” or “hand and machine wash”, or the like).
  - Too much detergent was used.
  - After switching on the machine a control other than Push&Wash+Dry was activated. Switch the machine off and press the Push&Wash+Dry button.
  - The appliance is not plugged into the socket, or not enough to make contact.
  - There has been a power failure.
  - The appliance door is not shut properly.
  - All the drying indicator lights are off.

# Service

---

GB

## **Before calling for Assistance:**

- Check whether you can solve the problem alone (see “*Troubleshooting*”);
- Restart the programme to check whether the problem has been solved;
- If this is not the case, contact an authorised Technical Assistance Centre using the telephone number provided on the guarantee certificate.

! Always request the assistance of authorised technicians.

## **Have the following information to hand:**


- the type of problem;
- the appliance model (Mod.);
- the serial number (S/N).

This information can be found on the data plate applied to the rear of the Washer-dryer, and can also be found on the front of the appliance by opening the door.

FR

Français

**XWDA 751480**

!  Ce symbole vous rappelle de lire ce mode d'emploi.

FR

## Sommaire

### Installation, 14-15

Déballage et mise à niveau  
Raccordements eau et électricité  
Premier cycle de lavage  
Caractéristiques techniques

### Entretien et soin, 16

Coupure de l'arrivée d'eau et du courant  
Nettoyage du lavante-séchante  
Nettoyage du tiroir à produits lessiviels  
Entretien du hublot et du tambour  
Nettoyage de la pompe  
Contrôle du tuyau d'arrivée de l'eau

### Précautions et conseils, 17

Sécurité générale  
Système d'équilibrage de la charge  
Mise au rebut

### Description du lavante-séchante et démarrage d'un programme, 18-19

Bandeau de commandes  
Voyants  
Démarrage d'un programme

### Programmes, 20

Push&Wash+Dry  
Tableau des programmes

### Personnalisations, 21

Sélection de la température  
Sélectionner le séchage  
Options de lavage

### Produits lessiviels et linge, 22

Tiroir à produits lessiviels  
Cycle blanchissage  
Triage du linge  
Linge ou vêtements particuliers

### Anomalies et remèdes, 23

### Assistance, 24

# Installation

FR

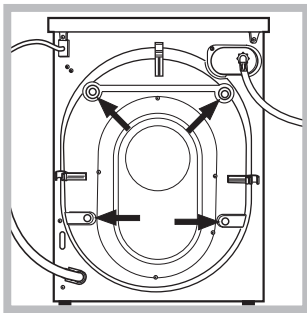
! Conserver ce mode d'emploi pour pouvoir le consulter à tout moment. En cas de vente, de cession ou de déménagement, veiller à ce qu'il suive toujours le lavante-séchante pour que son nouveau propriétaire soit informé sur son mode de fonctionnement et puisse profiter des conseils correspondants.

! Lire attentivement les instructions: elles fournissent des conseils importants sur l'installation, l'utilisation et la sécurité de l'appareil.

## Déballage et mise à niveau

### Déballage

1. Déballer le lavante-séchante.
2. Contrôler que le lavante-séchante n'a pas été endommagé pendant le transport. S'il est abîmé, ne pas le raccorder et contacter le vendeur.



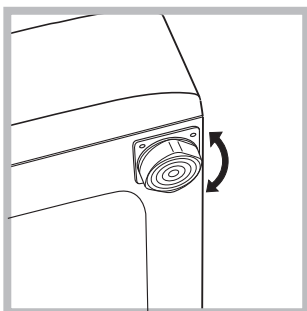
3. Enlever les 4 vis de protection servant au transport, le caoutchouc et la cale, placés dans la partie arrière (voir figure).

4. Boucher les trous à l'aide des bouchons plastique fournis.
5. Conserver toutes ces pièces: il faudra les remonter en cas de transport du lavante-séchante.

! Les pièces d'emballage ne sont pas des jouets pour enfants.

### Mise à niveau

1. Installer le lavante-séchante sur un sol plat et rigide, sans l'appuyer contre des murs, des meubles ou autre.

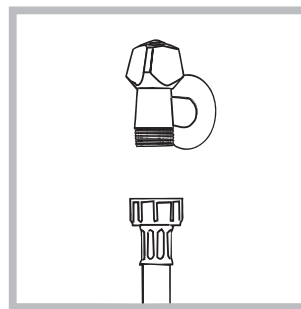


2. Si le sol n'est pas parfaitement horizontal, visser ou dévisser les pieds de réglage avant (voir figure) pour niveler l'appareil; son angle d'inclinaison, mesuré sur le plan de travail, ne doit pas dépasser 2°.

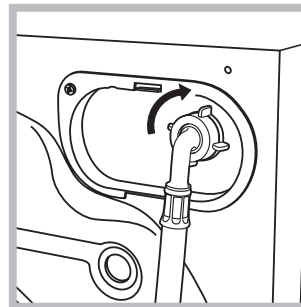
Une bonne mise à niveau garantit la stabilité de l'appareil et évite qu'il y ait des vibrations, du bruit et des déplacements en cours de fonctionnement. Si la machine est posée sur de la moquette ou un tapis, régler les pieds de manière à ce qu'il y ait suffisamment d'espace pour assurer une bonne ventilation.

## Raccordements eau et électricité

### Raccordement du tuyau d'arrivée de l'eau



1. Reliez le tuyau d'alimentation en le vissant à un robinet d'eau froide à embout fileté 3/4 gaz (voir figure). Faire couler l'eau jusqu'à ce qu'elle soit limpide et sans impuretés avant de raccorder.



2. Raccorder le tuyau d'arrivée de l'eau au lavante-séchante en le vissant à la prise d'eau prévue, dans la partie arrière en haut à droite (voir figure).

3. Attention à ce que le tuyau ne soit pas plié ou écrasé.

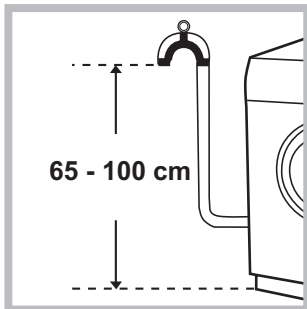
! La pression de l'eau doit être comprise entre les valeurs indiquées dans le tableau des Caractéristiques techniques (voir page ci-contre).

! Si la longueur du tuyau d'alimentation ne suffit pas, s'adresser à un magasin spécialisé ou à un technicien agréé.

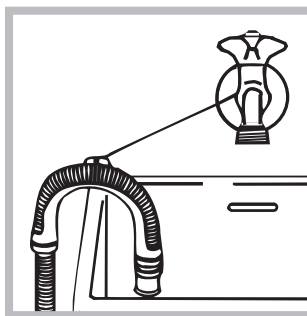
! N'utiliser que des tuyaux neufs.

! Utiliser ceux qui sont fournis avec l'appareil.

## Raccordement du tuyau de vidange



Raccorder le tuyau d'évacuation, sans le plier, à un conduit d'évacuation ou à une évacuation murale placés à une distance du sol comprise entre 65 et 100 cm ;



ou bien l'accrocher à un évier ou à une baignoire, dans ce cas, fixer le support en plastique fourni avec l'appareil au robinet (voir figure). L'extrémité libre du tuyau d'évacuation ne doit pas être plongée dans l'eau.

! L'utilisation d'un tuyau de rallonge est absolument déconseillée mais si on ne peut faire autrement, il faut absolument qu'il ait le même diamètre que le tuyau original et sa longueur ne doit pas dépasser 150 cm.

## Raccordement électrique

Avant de brancher la fiche dans la prise de courant, s'assurer que :

- la prise est bien reliée à la terre et est conforme aux réglementations en vigueur;
- la prise est bien apte à supporter la puissance maximale de l'appareil indiquée dans le tableau des Caractéristiques techniques (voir ci-contre);
- la tension d'alimentation est bien comprise entre les valeurs figurant dans le tableau des Caractéristiques techniques (voir ci-contre);
- la prise est bien compatible avec la fiche du lavante-séchante. Autrement, remplacer la prise ou la fiche.

! Le lavante-séchante ne doit pas être installé dehors, même à l'abri, car il est très dangereux de le laisser exposé à la pluie et aux orages.

! Après installation du lavante-séchante, la prise de courant doit être facilement accessible.

! N'utiliser ni rallonges ni prises multiples.

! Le câble ne doit être ni plié ni trop écrasé.



! Le câble d'alimentation ne doit être remplacé que par des techniciens agréés.

Attention! Nous déclinons toute responsabilité en cas de non-respect des normes énumérées ci-dessus.

## Premier cycle de lavage

Avant la première mise en service de l'appareil, effectuer un cycle de lavage avec un produit lessiviel mais sans linge et sélectionner le programme «AUTO NETTOYANT» (voir «Nettoyage du lavante-séchante»).

### Caractéristiques techniques

<b>Modèle</b>	XWDA 751480
<b>Dimensions</b>	largeur 59,5 cm hauteur 85 cm profondeur 54 cm
<b>Capacité</b>	de 1 à 7 kg pour le lavage de 1 à 5 kg pour le séchage
<b>Raccordements électriques</b>	Voir la plaque signalétique appliquée sur la machine
<b>Raccordements hydrauliques</b>	pression maximale 1 MPa (10 bar) pression minimale 0,05 MPa (0,5 bar) capacité du tambour 52 litres
<b>Vitesse d'essorage</b>	jusqu'à 1400 tours minute
<b>Programmes de contrôle selon la réglementation EN 50229</b>	<b>lavage:</b> programme 8; température 60°C; effectué avec une charge de 7 kg. <b>séchage:</b> pour le séchage de la charge de linge réduite (2kg), sélectionner le niveau de séchage "☁", le linge doit comprendre : 2 draps, 1 taie d'oreiller et 2 serviettes de toilette; pour le séchage de la charge de linge restante, sélectionner le niveau de séchage "☀".
 	Cet appareil est conforme aux Directives Communautaires suivantes: - 2004/108/CE (Compatibilité électromagnétique) - 2012/19/EU - WEEE - 2006/95/CE (Basse Tension)

# Entretien et soin

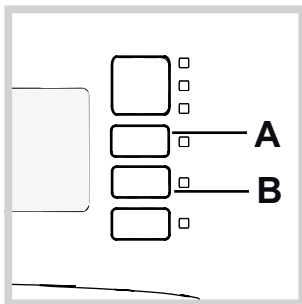
FR

## Coupure de l'arrivée d'eau et du courant

- Fermer le robinet de l'eau après chaque lavage. Cela réduit l'usure de l'installation hydraulique du lavante-séchante et évite tout danger de fuites.
- Débrancher la fiche de la prise de courant lors de tout nettoyage du lavante-séchante et pendant tous les travaux d'entretien.

## Nettoyage du lavante-séchante

- Pour nettoyer l'extérieur et les parties en caoutchouc, utiliser un chiffon imbibé d'eau tiède et de savon. N'utiliser ni solvants ni abrasifs.
- Ce lavante-séchante est équipé d'un programme «AUTO NETTOYANT» des parties internes **qui doit être effectué tambour complètement vide.** La lessive (dans une quantité égale à 10% de celle conseillée pour du linge peu sale) ou les additifs spéciaux pour le nettoyage du lavante-séchante, pourront être utilisés comme adjuvants dans le programme de lavage. Il est conseillé d'effectuer le programme de nettoyage tous les 40 cycles de lavage. Pour activer le programme, appuyer simultanément sur les touches **A** et **B** pendant 5 secondes (voir figure). Le programme démarra automatiquement et durera environ 70 minutes. Pour stopper le cycle, appuyer sur la touche START/PAUSE.



## Nettoyage du tiroir à produits lessiviels

Pour sortir le tiroir, appuyer sur le levier (1) et tirer vers soi (2) (voir figure).

Le laver à l'eau courante ; effectuer cette opération assez souvent.

## Entretien du hublot et du tambour

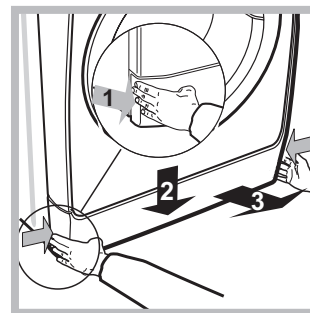
- Il faut toujours laisser le hublot entrouvert pour éviter la formation de mauvaises odeurs.

## Nettoyage de la pompe

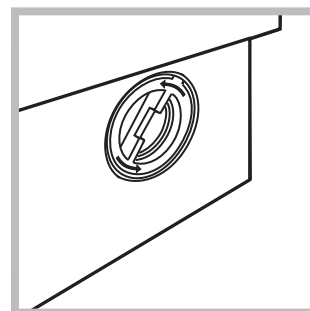
Le lavante-séchante est équipé d'une pompe autonettoyante qui n'exige aucune opération d'entretien. Il peut toutefois arriver que de menus objets (pièces de monnaie, boutons) tombent dans la préchambre qui protège la pompe, placée en bas de cette dernière.

! S'assurer que le cycle de lavage est bien terminé et débrancher la fiche.

Pour accéder à cette préchambre :



1. retirer le panneau situé à l'avant du lavante-séchante en appuyant vers le centre. Appuyer ensuite vers le bas de chaque côté et l'extraire (voir figures).



2. dévisser le couvercle en le tournant dans le sens inverse des aiguilles d'une montre (voir figure) : il est normal qu'un peu d'eau s'écoule ;

3. nettoyer soigneusement l'intérieur ;
4. revisser le couvercle ;
5. remonter le panneau en veillant à bien enfiler les crochets dans les fentes prévues avant de le pousser contre l'appareil.

## Contrôle du tuyau d'arrivée de l'eau

Contrôler le tuyau d'alimentation au moins une fois par an. Procéder à son remplacement en cas de craquèlements et de fissures : car les fortes pressions subies pendant le lavage pourraient provoquer des cassures.

! N'utiliser que des tuyaux neufs.



! Ce lavante-séchante a été conçu et fabriqué conformément aux normes internationales de sécurité. Ces consignes sont fournies pour des raisons de sécurité, il faut les lire attentivement.

## Sécurité générale

- Cet appareil est conçu pour un usage domestique.
- Cet appareil peut être utilisé par les enfants à partir de 8 ans et par les personnes dont les capacités physiques, sensorielles ou mentales sont réduites ou qui ne disposent pas des connaissances suffisantes, à condition qu'ils soient encadrés ou aient été formés de façon appropriée pour l'utilisation de l'appareil de façon sûre et en comprenant les dangers qui y sont liés. Les enfants ne doivent pas jouer avec l'appareil. L'entretien et le nettoyage ne doivent pas être effectués par les enfants sans surveillance.
  - Ne pas mettre sécher du linge non lavé.
  - Le linge contaminé avec des substances telles que de l'huile de cuisson, de l'acétone, de l'alcool, de l'essence, du kérosène, des détachants, de l'essence de térébenthine, de la cire et des substances pour l'enlever, doit être lavé à l'eau chaude avec une dose supplémentaire de lessive avant d'être introduit dans le sèche-linge.
  - Des objets en mousse expansée (mousse de latex), des bonnets de douche, des textiles imperméables, des articles doublés de caoutchouc et des vêtements ou des coussins ayant des parties en mousse de latex ne doivent pas être séchés en sèche-linge.
  - En cas d'utilisation d'assouplissants ou de tout autre produit similaire, se conformer aux instructions du fabricant.
  - La partie finale d'un cycle du sèche-linge se produit sans chaleur (cycle de refroidissement) pour éviter tout endommagement du linge. ATTENTION: Ne jamais arrêter le sèche-linge avant la fin du programme de séchage. Dans ce cas, sortir immédiatement tout le linge et l'étendre pour le faire refroidir rapidement.
- Ne jamais toucher l'appareil si l'on est pieds nus et si les mains sont mouillées ou humides.
- Ne jamais tirer sur le câble pour débrancher la fiche de la prise de courant.
- Ne pas ouvrir le tiroir à produits lessiviels si la machine est branchée.
- Ne pas toucher à l'eau de vidange, elle peut atteindre des températures très élevées.
- Ne pas forcer pour ouvrir le hublot: le verrouillage de sécurité qui protège contre les ouvertures accidentelles pourrait s'endommager.
- En cas de panne, éviter à tout prix d'accéder aux mécanismes internes pour tenter une réparation.
- Veiller à ce que les enfants ne s'approchent pas de l'appareil pendant son optionnement.
- Pendant le lavage, le hublot a tendance à se réchauffer.
- Deux ou trois personnes sont nécessaires pour déplacer l'appareil avec toutes les précautions nécessaires. Ne

jamais le déplacer tout seul car il est très lourd.

- Avant d'introduire le linge, s'assurer que le tambour est bien vide.
- Pendant le séchage, le hublot a tendance à chauffer.
- Ne mettez pas à sécher du linge lavé avec des solvants inflammables (trichloréthylène par ex.).
- Ne mettez pas à sécher du caoutchouc-mousse ou des élastomères du même genre.
- Vérifiez qu'au cours du séchage, le robinet de l'eau soit bien ouvert.
- les enfants de moins de 3 ans doivent être tenus à bonne distance du sèche-linge s'ils ne sont pas sous surveillance constante.
- Enlever tous les objets des poches, notamment les briquets et les allumettes.

## Système d'équilibrage de la charge

Avant tout essorage, pour éviter toute vibration excessive et répartir le linge de façon uniforme, le lavante-séchante fait tourner le tambour à une vitesse légèrement supérieure à la vitesse de lavage. Si au bout de plusieurs tentatives, la charge n'est toujours pas correctement équilibrée, l'appareil procède à un essorage à une vitesse inférieure à la vitesse normalement prévue. En cas de déséquilibre excessif, le lavante-séchante préfère procéder à la répartition du linge plutôt qu'à son essorage. Pour une meilleure répartition de la charge et un bon équilibrage, nous conseillons de mélanger de grandes et petites pièces de linge.

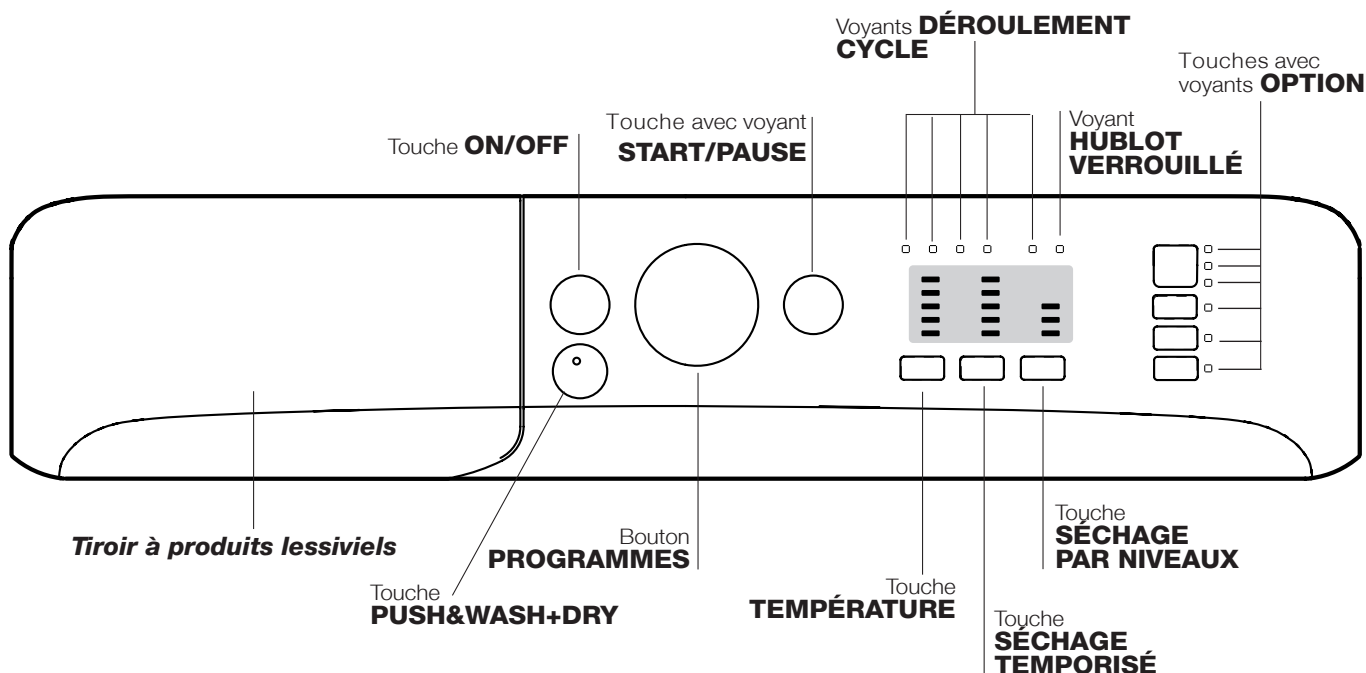
## Mise au rebut

- Mise au rebut du matériel d'emballage: se conformer aux réglementations locales de manière à ce que les emballages puissent être recyclés.
- La Directive Européenne 2012/19/EU (WEEE) sur les Déchets des Equipements Electriques et Electroniques, exige que les appareils ménagers usagés ne soient pas jetés dans le flux normal des déchets municipaux. Les appareils usagés doivent être collectés séparément afin d'optimiser le taux de récupération et le recyclage des matériaux qui les composent et réduire l'impact sur la santé humaine et l'environnement. Le symbole de la "poubelle barrée" est apposée sur tous les produits pour rappeler les obligations de collecte séparée. Les consommateurs devront contacter les autorités locales ou leur revendeur concernant la démarche à suivre pour l'enlèvement de leur vieil appareil.

# Description du lavante-séchante et démarrage d'un programme

FR

## Bandeau de commandes



**Tiroir à produits lessiviels:** pour charger les produits lessiviels et les additifs (voir "Produits lessiviels et linge").

Touche **ON/OFF:** pour allumer ou éteindre le lavante-séchante.

Touche **PUSH&WASH+DRY:** (voir "Programmes").

Bouton **PROGRAMMES:** pour sélectionner les programmes. Pendant le programme, le bouton ne tournera pas.

Touches avec voyants **OPTION:** pour sélectionner les options disponibles. Le voyant correspondant à la option sélectionnée restera allumé.

Touche **TEMPÉRATURE:** pour sélectionner la température ou un lavage à froid (voir "Personnalisations").


Touche **SÉCHAGE TEMPORISÉ :** appuyer pour sélectionner le temps de séchage voulu ; le temps de séchage sélectionné est indiqué par les voyants situés au-dessus .

Touche **SÉCHAGE PAR NIVEAUX :** appuyer pour sélectionner les niveaux de séchage voulu ; le niveau de séchage sélectionné est indiqué par les voyants situés au-dessus.

Voyants **DÉROULEMENT CYCLE:** pour suivre le stade d'avancement du programme de lavage. Le voyant allumé indique la phase de lavage en cours.

Voyant **HUBLLOT VERROUILLÉ:** indique si la porte est verrouillée (voir page ci-contre).

Touche avec voyant **START/PAUSE:** pour démarrer les programmes ou les interrompre momentanément.

**N.B.:** pour effectuer une pause du lavage en cours, appuyer sur cette touche, le voyant correspondant se mettra à clignoter en orange tandis que celui de la phase en cours restera allumé fixe. Si le voyant HUBLLOT VERROUILLÉ  est éteint, on peut ouvrir la porte (3 minutes environ). Pour faire redémarrer le lavage exactement de l'endroit où il a été interrompu, appuyer une nouvelle fois sur la touche.

### Stand-by

Ce lavante-séchante, conformément aux nouvelles normes en vigueur dans le domaine de l'économie d'énergie, est équipée d'un système d'extinction automatique (veille) activé après 30 minutes environ d'inutilisation. Appuyez brièvement sur la touche ON/OFF et attendre que la machine soit réactivée.

Consommation en off-mode : 0,5 W





Consommation en Left-on : 8 W

## Voyants

Les voyants fournissent des informations importantes. Voilà ce qu'ils signalent:

### Voyants phase en cours

Une fois que le cycle de lavage sélectionné a démarré, les voyants s'allument progressivement pour indiquer son stade d'avancement:

Lavage	
Rinçage	
Essorage/Vidange	
Séchage	
Fin de Lavage	<b>END</b>

### Touches options et voyants correspondants

La sélection d'une option entraîne l'allumage du voyant correspondant.

Si la option sélectionnée est incompatible avec le programme sélectionné, le voyant correspondant se met à clignoter et la option n'est pas activée.

Si la fonction sélectionnée est incompatible avec une autre précédemment sélectionnée, le voyant correspondant se met à clignoter, un signal sonore (3 bips) retentit et seule la deuxième fonction est activée, le voyant de l'option activée s'allume.

## Démarrage d'un programme

### Programmation rapide

- CHARGER LE LINGE.** Ouvrir la porte hublot. Charger le linge en faisant attention à ne pas dépasser la quantité indiquée dans le tableau des programmes de la page suivante.
- DOSER LE PRODUIT LESSIVIEL.** Sortir le tiroir et placer le produit lessiviel dans les bacs correspondants comme indiqué au paragraphe "Produits lessiviels et linge".
- FERMER LE HUBLLOT.**
- Appuyer sur la touche « PUSH&WASH+DRY » pour lancer le programme.


### Programmation traditionnelle

- Allumer le lavante-séchante en appuyant sur la touche ON/OFF. Tous les voyants s'allumeront pendant quelques secondes, ne resteront ensuite allumés que les voyants correspondant aux sélections du programme en cours et le voyant START/PAUSE se mettra à clignoter.
- Charger le linge et fermer le hublot.
- Sélectionner à l'aide du bouton PROGRAMMES le programme désiré.

### Voyant hublot verrouillé

Le voyant allumé indique que le hublot est verrouillé pour en empêcher l'ouverture. Attendre que le voyant cesse de clignoter avant d'ouvrir la porte (3 minutes environ).

Pour ouvrir le hublot tandis qu'un cycle est en cours, appuyer sur la touche START/PAUSE; si le voyant HUBLLOT VERROUILLÉ est éteint, on peut ouvrir le hublot.

- Sélectionner la température de lavage (voir "Personnalisations").
- Sélectionner le séchage si nécessaire (voir "Personnalisations").
- Verser les produits lessiviels et les additifs (voir "Produits lessiviels et linge").
- Sélectionner les options désirées.
- Appuyer sur la touche START/PAUSE pour démarrer le programme, le voyant correspondant vert restera allumé en fixe. Pour annuler le cycle sélectionné, appuyer sur la touche START/PAUSE pour placer l'appareil en pause et choisir un nouveau cycle.
- A la fin du programme, le voyant **END** s'allume. Quand le voyant HUBLLOT VERROUILLÉ  s'éteint, on peut ouvrir le hublot (3 minutes environ). Sortir le linge et laisser le hublot entrouvert pour faire sécher le tambour. Eteindre le lavante-séchante en appuyant sur la touche ON/OFF.


# Programmes

FR




## Push&Wash+Dry

Cette fonction permet de lancer un cycle de lavage et de séchage automatique même si la machine est éteinte sans qu'il faille préalablement appuyer sur la touche ON/OFF ou, après allumage de la machine, sans avoir besoin d'activer aucune autre touche et/ou bouton (autrement le programme Push&Wash+Dry sera désactivé). Pour lancer le cycle Push&Wash+Dry appuyer 2 secondes de suite sur la touche. L'allumage du voyant signale que le cycle est lancé. Ce cycle de lavage et de séchage est idéal pour le coton et les synthétiques grâce à une température de lavage de 30° et à une vitesse maximale d'essorage de 1000 tours/minute. Pendant le séchage, la température maximale atteinte est d'environ 60°C. L'humidité résiduelle à la fin du programme est au niveau "☁". Charge maximale préconisée 2,5 kg. (Durée cycle 210').

### Comment fonctionne-t-il ?

1. Charger le linge (linge en coton et/ou synthétiques) et fermer le hublot.
  2. Verser le produit lessiviel et/ou les additifs.
  3. Lancer le programme en appuyant pendant 2 secondes de suite sur la touche Push&Wash+Dry. Le voyant correspondant s'allume en vert et le hublot est verrouillé (symbole Hublot verrouillé allumé).
- N.B. : Le démarrage du lavage à l'aide de la touche Push&Wash+Dry active un cycle automatique de lavage et de séchage, conseillé pour le coton et pour les synthétiques qui ne peut pas être personnalisé.
4. Le programme automatique peut être utilisé uniquement pour le lavage en excluant le séchage. Après avoir appuyé sur la touche Push&Wash+Dry, appuyer sur la touche de séchage , l'icône de séchage du niveau "☁" s'éteint. En cas de lavage seulement, la charge maximale est de 3,5 kg (Durée cycle 50'). Une personnalisation plus poussée du programme n'est pas possible.
- Pour ouvrir la porte tandis que le cycle automatique est en cours, appuyer sur la touche START/PAUSE ; si le symbole Hublot verrouillé est éteint, on peut ouvrir le hublot mais uniquement pendant la phase de lavage. Pour faire redémarrer le programme exactement à l'endroit de l'arrêt, appuyer une nouvelle fois sur la touche START/PAUSE.
5. A la fin du programme, le voyant END s'allume.

## Tableau des programmes

Programmes	Description du Programme	Temp. max. (°C)	Vitesse maxi (tours minute)	Séchage	Charge maximale de séchage (Kg)	Produit lessiviel et additifs				Charge maximale de lavage (Kg)	Durée du cycle de lavage
						Prélavage	Lavage	Adouciss	Blanchiment		
<b>Spéciaux</b>											
1	Sportswear	30°	600	●	3	-	●	●	-	3,5	55'
2	Foncé	30°	800	●	2,5	-	●	●	-	4	70'
3	Anti-odeur (Coton)	60°	1000	●	3,5	-	●	●	-	3,5	110'
3	Anti-odeur (Synthétiques)	40°	1000	●	3	-	●	●	-	3,5	100'
4	Délicats	30°	0	●	1	-	●	●	-	1	80'
5	Laine: pour laine, cachemire, etc.	40°	800	●	1,5	-	●	●	-	1,5	70'
6	Rapide 30'	30°	800	●	3	-	●	●	-	3	30'
<b>Standard</b>											
7	Coton 90°+P: blancs extrêmement sales.	90°	1400	●	5	●	●	●	-	7	170'
8	 Coton Standard 60° (1-2): blancs et couleurs résistantes très sales.	60° (Max. 90°)	1400	●	5	-	●	●	-	7	170'
9	Synthétiques: couleurs résistantes très sales.	60°	800	●	3	-	●	●	-	3,5	110'
10	Couleurs	40°	1400	●	5	-	●	●	-	7	100'
11	Eco Coton 20°: blancs et couleurs résistantes peu sales.	20°	1400	●	5	-	●	●	-	7	170'
12	Eco Synthétiques	20°	800	●	5	-	●	●	-	7	120'
<b>Automatique</b>											
13	Lavage&Séchage 45'	30°	1400	●	1	-	●	●	-	1	45'
14	Rafraîchissement	-	-	●	1,5	-	-	-	-	-	30'
<b>Partiels</b>											
	Rinçage/Blanchiment	-	1400	●	5	-	-	●	●	7	50'
	Essorage + Vidange	-	1400	●	5	-	-	-	-	7	10'

La durée du cycle indiquée sur l'écran ou dans la notice représente une estimation calculée dans des conditions standard. Le temps effectif peut varier en fonction de nombreux facteurs tels que : température et pression de l'eau en entrée, température ambiante, quantité de lessive, quantité et type de charge, équilibrage de la charge, options supplémentaires sélectionnées.

Pour tous les instituts qui effectuent ces tests :

- 1) Programme de contrôle selon la réglementation EN 50229 : sélectionner le programme 8 à 60°C.
- 2) Programme coton long : sélectionner le programme 8 et une température de 40°C.

## Sélection de la température

Appuyer sur la touche TEMPÉRATURE pour sélectionner la température de lavage (voir Tableau des programmes). La température peut être abaissée jusqu'au lavage à froid (❄️). La machine interdira automatiquement toute sélection d'une température supérieure à la température maximale prévue pour chaque programme.

! Exception: lors de la sélection du programme 8 la température peut être augmentée jusqu'à 90°.

## Sélectionner le séchage

Deux types de séchage sont prévus, **temporisé** et par **niveaux**.

La touche SÉCHAGE TEMPORISÉ ⏸️ permet de sélectionner la durée de séchage désirée: **40' - 90' - 120' - 150' - 180'**. Une première pression de la touche sélectionne le temps minimum autorisé pour le programme sélectionné.

Quand la machine a commencé la phase de séchage, une autre pression sur la touche SÉCHAGE TEMPORISÉ permet de réduire la durée du séchage précédemment sélectionnée. Les voyants lumineux indiquent la nouvelle durée de séchage sélectionnée et le temps de séchage résiduel tiendra compte du temps qui s'est déjà écoulé entre-temps.

La touche SÉCHAGE PAR NIVEAUX 📊 permet de sélectionner le niveau de séchage désiré :

**Prêt a ranger** 🗄️: conseillé pour le linge à ranger dans l'armoire sans repassage.

**Sur cintre** 🧺: idéal pour le linge n'exigeant pas de séchage complet.

**Prêt a repasser** 🧻: linge légèrement humide, facile à repasser.

Si, exceptionnellement, la charge de linge à laver et faire sécher dépasse la charge maximum prévue (voir tableau des programmes), procéder au lavage et une fois le programme terminé, séparer le linge dont une partie sera replacée dans le tambour. Suivre à présent les instructions pour procéder au "**Séchage seulement**". Procéder de même pour le linge restant. Un cycle de refroidissement est toujours prévu quand le séchage est terminé.

**Remarque** : si tous les voyants séchage sont éteints, l'appareil n'effectuera **pas** le séchage.

## Séchage seulement

Appuyer sur la touche 🗄️ pour n'effectuer que le séchage.

Après avoir sélectionné le programme voulu, compatible avec le type de linge traité, une pression sur la touche 🗄️ exclut la phase de lavage et lance le séchage au niveau maximum prévu pour le programme sélectionné. Il est possible de modifier et de sélectionner le niveau ou la durée du séchage en appuyant sur les touches séchage 📊, ⏸️. (Incompatible avec les programmes 13 et 14).

## Options de lavage

Les différentes options de lavage prévues par le lavante-séchante permettent d'obtenir la propreté et le blanc souhaités.

Pour activer les options:

1. appuyer sur la touche correspondant à la option désirée;
2. l'allumage du voyant correspondant signale que la option est activée.

Remarque: Le clignotement rapide du voyant signale que la option correspondante n'est pas disponible pour le programme sélectionné.

### 👤 Anti taches

Cette fonction permet de sélectionner le type de sale de manière à adapter le cycle de façon optimale pour enlever les taches. Les types de salissure sont:

- 🍷 **Nourriture**, taches d'aliments et de boissons, par exemple.
- 🧼 **Travail**, taches de graisse et d'encre, par exemple.
- 🌿 **Plein air**, taches de boue et d'herbe, par exemple.

! La durée du cycle de lavage varie selon le type de salissure sélectionné.

🌀

En appuyant sur cette touche on réduit la vitesse de l'essorage.

### 🚿 Super Rinçage

La sélection de cette option permet d'augmenter l'efficacité du rinçage et d'éliminer totalement toute trace de lessive. Elle est très utile pour les peaux particulièrement sensibles.

Tableau temps de Séchage (Valeurs indicatives)

Type de tissus	Type de charge	Charge Max. (kg)	Prêt a ranger 🗄️	Sur Cintre 🧺	Prêt a repasser 🧻
Coton	Linge de différentes dimensions, serviettes éponge	5	250	210	190
Synthétiques	Draps, chemises, pyjamas, chaussettes, etc.	3	180	130	115
Laine	Tricots, Pullovers, etc.	1,5	155	135	115

# Produits lessiviels et linge

FR

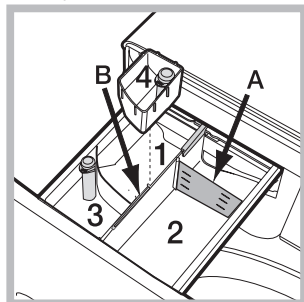
## Tiroir à produits lessiviels

Un bon résultat de lavage dépend aussi d'un bon dosage de produit lessiviel : un excès de lessive ne lave pas mieux, il incruste l'intérieur du lavante-séchante et pollue l'environnement.

! Ne pas utiliser de lessives pour lavage à la main, elles moussent trop.

! Utiliser des lessives en poudre pour du linge en coton blanc et en cas de pré-lavage et de lavages à une température supérieure à 60°C.

! Respecter les indications figurant sur le paquet de lessive.



Sortir le tiroir à produits lessiviels et verser la lessive ou l'additif comme suit.

### Bac 1 : Lessive pré-lavage (en poudre)

Avant d'introduire la lessive, s'assurer que le bac supplémentaire 4 n'est pas présent.

### Bac 2 : Lessive lavage (en poudre ou liquide)

En cas d'utilisation de lessive liquide, nous conseillons d'introduire le séparateur A fourni avec le lavante-séchante pour mieux déterminer la dose correcte. En cas d'utilisation de lessive en poudre, placer le séparateur dans le bac B.

**Bac 3 : Additifs (assouplissant, etc.)**  
L'assouplissant ne doit pas dépasser le niveau «max» indiqué sur le pivot central.

### bac supplémentaire 4 : Javel

## Cycle blanchissage

Monter le bac supplémentaire 4 fourni avec l'appareil à l'intérieur du compartiment 1. Au moment de verser l'eau de Javel, attention à ne pas dépasser le niveau « max » indiqué sur le pivot central. Pour effectuer un blanchissage, verser l'eau de Javel dans le bac supplémentaire 4 et sélectionner le programme

! N'utiliser de l'eau de Javel que pour les tissus blancs résistants et des détachants délicats pour les couleurs, les synthétiques et la laine.

## Triage du linge

- Trier correctement le linge d'après :
  - le type de textile / le symbole sur l'étiquette.
  - les couleurs: séparer le linge coloré du blanc.
- Vider les poches et contrôler les boutons.
- Ne pas dépasser les valeurs indiquées correspondant au poids de linge sec : voir "Tableau des programmes".

### Combien pèse le linge ?

- 1 drap 400-500 g
- 1 taie d'oreiller 150-200 g
- 1 nappe 400-500 g
- 1 peignoir 900-1200 g
- 1 serviette éponge 150-250 g

## Linge ou vêtements particuliers

**Sportswear** (programme 1) est spécialement conçu pour laver des textiles propres aux vêtements de sport (survêtements, shorts, etc.) peu sales ; pour obtenir d'excellents résultats nous recommandons de ne pas dépasser la charge maximale indiquée dans le "Tableau des programmes". Nous recommandons d'utiliser de la lessive liquide, avec une dose appropriée pour une demi-charge.

**Foncé:** utiliser le programme 2 pour le lavage des textiles de couleur foncée. Ce programme est conçu pour préserver les couleurs foncées au fil des lavages. Pour obtenir de

meilleurs résultats, nous conseillons d'utiliser de la lessive liquide spéciale textiles foncés.

En cas de sélection de la fonction de séchage, un séchage délicat protégeant les couleurs du linge aura lieu à la fin du lavage. Seul le niveau de séchage "☁". Charge maxi: 2,5 kg.

**Anti-odeur:** utiliser le programme 3 pour laver le linge et le débarrasser des mauvaises odeurs (par ex. tabac, transpiration, friture). Ce programme est conçu pour éliminer les mauvaises odeurs tout en préservant les fibres des tissus. Il est conseillé de laver à 40° les textiles synthétiques ou les charges mixtes et à 60° les tissus de coton résistant.

**Déliçats:** utiliser le programme 4 pour le lavage de textiles très délicats. Il est recommandé de mettre les vêtements à l'envers avant de les charger dans le lavante-séchante. Pour obtenir de meilleurs résultats, nous conseillons d'utiliser de la lessive liquide spéciale textiles délicats.

En cas de sélection de la fonction de séchage temporisé, un séchage particulièrement délicat aura lieu à la fin du lavage sous forme d'un brassage léger et avec un jet d'air à une température dûment contrôlée.

Les temps conseillés sont :

- 1 kg de synthétique --> 150 min
- 1 kg de synthétique et coton --> 180 min
- 1 kg de coton --> 180 min

Le degré de séchage dépendra de la charge et de la composition du textile.

**Laine:** le programme de lavage « Laine » de ce lavante-séchante a été testé et approuvé par la société Woolmark Company pour le lavage d'articles contenant de la laine classés comme « lavables à la main », à condition que le lavage soit effectué conformément aux instructions indiquées sur l'étiquette du vêtement et aux indications fournies par le fabricant de ce lavante-séchante. (M1126)



**Rapide 30'** (programme 6) ce cycle est conçu pour laver le linge peu sale à 30° (laine et soie exclues) avec une charge maximale de 3 kg en peu de temps : il ne dure que 30' permettant ainsi de faire des économies de temps et d'énergie.

**Couleurs:** utiliser le programme 10 pour le lavage de textiles de couleur claire. Ce programme est conçu pour préserver l'éclat des couleurs au fil des lavages.

**Eco Coton 20°** (programme 11) idéal pour des charges de linge sale en coton. Les bonnes performances, même à froid, comparables à celles d'un lavage à 40°, sont assurées grâce à une action mécanique qui brasse en variant la vitesse et avec des pics répétés et rapprochés.

**Eco Synthétiques** (programme 12) idéal pour des charges mixtes (coton et synthétiques) moyennement sales. Les bonnes performances de lavage, même à froid, sont assurées grâce à une action mécanique qui brasse en variant la vitesse à des intervalles moyens et déterminés.

**Lavage&Séchage 45'**: utiliser le programme 13 pour laver et sécher votre linge (Coton et Synthétiques) peu sale en un rien de temps. La sélection de ce cycle permet de laver et de sécher jusqu'à 1 kg de linge en à peine 45 minutes.

Pour obtenir de meilleurs résultats, utiliser une lessive liquide ; pré-traiter les cols, les poignets et les taches.

**Rafraîchissement** (programme 14) cycle idéal pour rafraîchir et éliminer en 30 secondes les mauvaises odeurs du linge en coton ou synthétique (max 1,5 kg), notamment l'odeur de tabac, sans phase de lavage.

Il peut arriver que le lavante-séchante ne fonctionne pas bien. Avant d'appeler le Service de dépannage (voir "Assistance"), contrôler s'il ne s'agit pas par hasard d'un problème facile à résoudre à l'aide de la liste suivante.

## Anomalies:

**Le lavante-séchante ne s'allume pas.**

**Le cycle de lavage ne démarre pas.**

**Il n'y a pas d'arrivée d'eau (le voyant de la première phase de lavage clignote rapidement).**

**Le lavante-séchante prend l'eau et vidange continuellement.**

**Le lavante-séchante ne vidange pas et n'essore pas.**

**Le lavante-séchante vibre beaucoup pendant l'essorage.**

**Le lavante-séchante a des fuites.**

**Les voyants des "Options" et le voyant START/PAUSE clignotent. Le voyant du phase de lavage et le voyant hublot bloqué restent fixes.**

**Il y a un excès de mousse.**

**PUSH&WASH+DRY ne s'active pas.**

**Le lavante-séchante ne sèche pas.**

## Causes / Solutions possibles:

- La fiche n'est pas branchée dans la prise de courant ou mal branchée.
- Il y a une panne de courant.
- Le hublot n'est pas bien fermé.
- La touche ON/OFF n'a pas été enfoncée.
- La touche START/PAUSE n'a pas été enfoncée.
- Le robinet de l'eau n'est pas ouvert.
- Le tuyau d'arrivée de l'eau n'est pas raccordé au robinet.
- Le tuyau est plié.
- Le robinet de l'eau n'est pas ouvert.
- Il y a une coupure d'eau.
- La pression n'est pas suffisante.
- La touche START/PAUSE n'a pas été enfoncée.
- Le tuyau de vidange n'est pas installé à une distance du sol comprise entre 65 et 100 cm (voir "Installation").
- L'extrémité du tuyau de vidange est plongée dans l'eau (voir "Installation").
- L'évacuation murale n'a pas d'évent.

Si après ces vérifications, le problème persiste, fermer le robinet de l'eau, éteindre la machine et appeler le service Assistance. Si l'appartement est situé en étage dans un immeuble, il peut y avoir des phénomènes de siphonnage qui font que le lavante-séchante prend et évacue l'eau continuellement. Pour supprimer cet inconvénient, on trouve dans le commerce des soupapes spéciales anti-siphonnage.

- Le programme ne prévoit pas de vidange: pour certains programmes, il faut la faire partir manuellement.
- Le tuyau de vidange est plié (voir "Installation").
- La conduite d'évacuation est bouchée.
- Le tambour n'a pas été débloqué comme il faut lors de l'installation du lavante-séchante (voir "Installation").
- Le lavante-séchante n'est pas posé à plat (voir "Installation").
- Le lavante-séchante est coincé entre des meubles et le mur (voir "Installation").
- Le tuyau d'arrivée de l'eau n'est pas bien vissé (voir "Installation").
- Le tiroir à produits lessiviels est bouché (pour le nettoyer voir "Entretien et soin").
- Le tuyau de vidange n'est pas bien fixé (voir "Installation").
- Eteindre l'appareil et débrancher la fiche de la prise de courant, attendre 1 minute environ avant de rallumer.  
Si l'anomalie persiste, appeler le service d'assistance.

- Le produit de lavage utilisé n'est pas une lessive spéciale machine (il faut qu'il y ait l'inscription "pour lavante-séchante", "main et machine", ou autre semblable).
- La quantité utilisée est excessive.

- Après l'allumage de la machine, une commande autre que PUSH&WASH+DRY a été actionnée. Eteindre la machine et appuyer sur la touche PUSH&WASH+DRY.

- La fiche n'est pas branchée dans la prise de courant ou mal branchée.
- Il y a une panne de courant.
- Le hublot n'est pas bien fermé.
- Tous les voyants séchage sont éteints.

# Assistance

---

FR

## **Avant d'appeler le service après-vente:**

- Vérifier si on ne peut pas résoudre l'anomalie par ses propres moyens (*voir "Anomalies et Remèdes"*);
- Remettre le programme en marche pour contrôler si l'inconvénient a disparu;
- Autrement, contacter le Centre d'Assistance technique agréé au numéro de téléphone indiqué sur le certificat de garantie.


! Ne jamais s'adresser à des techniciens non agréés.

## **Communiquer:**

- le type de panne;
- le modèle de l'appareil (Mod.);
- son numéro de série (S/N).

Ces informations se trouvent sur la plaque signalétique apposée à l'arrière du lavante-séchante et à l'avant quand on ouvre la porte hublot.



!  Dit symbool herinnert u eraan om deze gebruikshandleiding te lezen.

NL

Nederlands

**XWDA 751480**

## Inhoud

### Installatie, 26-27

Uitpakken en waterpas zetten  
Hydraulische en elektrische aansluitingen  
Eerste wascyclus  
Technische gegevens

### Onderhoud en verzorging, 28

Afsluiten van water en stroom  
Reinigen van de Wasdroogmachine  
Reinigen van het wasmiddelbakje  
Onderhoud van deur en trommel  
Reinigen van de pomp  
Controleren van de buis van de watertoevoer

### Voorzorgsmaatregelen en advies, 29

Algemene veiligheid  
Balanceersysteem van de lading  
Afvalverwijdering

### Beschrijving van de Wasdroogmachine en starten van een programma, 30-31

Bedieningspaneel  
Controlelampjes  
Een programma starten

### Programma's, 32

Push&Wash+Dry  
Programmatabel

### Persoonlijke instellingen, 33

Instellen van de temperatuur  
Instellen van het drogen  
Wassen opties

### Wasmiddelen en wasgoed, 34

Wasmiddelbakje  
Bleekcyclus  
Voorbereiden van het wasgoed  
Speciale programma's

### Storingen en oplossingen, 35

### Service, 36

# Installatie

NL

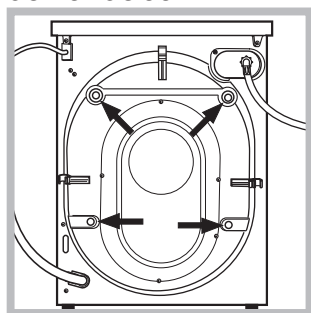
! Het is belangrijk deze handleiding te bewaren voor latere raadpleging. In het geval u het apparaat verkoopt, of u verhuist, moet het boekje bij de Wasdroogmachine blijven zodat de nieuwe gebruiker de functies en betreffende raadgevingen kan doornemen.

! Lees de instructies aandachtig door: u vindt er belangrijke informatie betreffende installatie, gebruik en veiligheid.

## Uitpakken en waterpas zetten

### Uitpakken

1. De Wasdroogmachine uitpakken.
2. Controleer of de Wasdroogmachine geen schade heeft geleden gedurende het vervoer. Indien dit wel het geval is moet hij niet worden aangesloten en moet u contact opnemen met de handelaar.



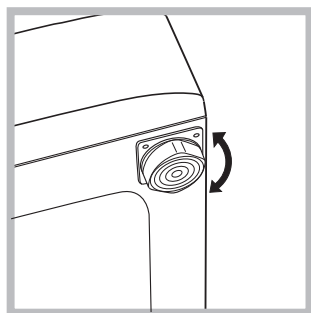
3. Verwijder de 4 schroeven die het apparaat beschermen tijdens het vervoer en de rubberen ring met bijbehorende afstandslider die zich aan de achterkant bevinden (zie afbeelding).

4. Sluit de openingen af met de bijgeleverde plastic doppen.
5. Bewaar alle onderdelen: mocht de Wasdroogmachine ooit worden vervoerd, dan moeten deze weer worden aangebracht.

! Het verpakkingsmateriaal is geen speelgoed voor kinderen.

### Waterpas zetten

1. Installeer de Wasdroogmachine op een rechte en stevige vloer en laat hem niet steunen tegen een muur, meubel of dergelijke.



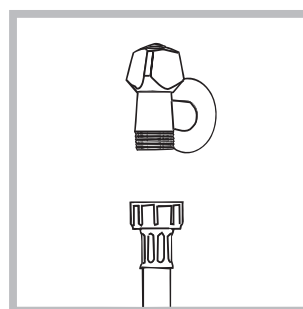
2° niet overschrijden.

2. Als de vloer niet volledig horizontaal is kunt u de onregelmatigheid opheffen door de stelvoetjes aan de voorkant losser of vaster te schroeven (zie afbeelding); de inclinatiehoek, gemeten ten opzichte van het werkvlak, mag de

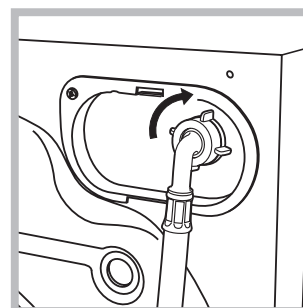
Een correcte nivellering geeft de machine stabiliteit en voorkomt trillingen, lawaai en het zich verplaatsen van de automaat tijdens de werking. In het geval van vloerbedekking of een tapijt regelt u de stelvoetjes zodanig dat onder de wasmachine genoeg plaats is voor ventilatie.

## Hydraulische en elektrische aansluitingen

### Aansluiting van de watertoevoerbuis



1. Sluit de toevoerbuis aan op de koudwaterkraan met een mondstuk met schroefdraad van 3/4 gas (zie afbeelding). Voordat u de Wasdroogmachine aansluit moet u het water laten lopen totdat het helder is.



2. Verbind de watertoevoerbuis aan de Wasdroogmachine door hem op de betreffende watertoevoer te schroeven, rechtsboven aan de achterkant (zie afbeelding).

3. Let erop dat er geen knellingen of kronkels in de buis zijn.

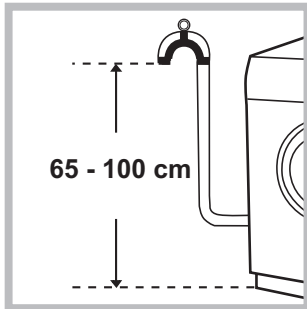
! De waterdruk van de kraan moet zich binnen de waarden van de tabel Technische Gegevens bevinden (zie bladzijde hiernaast).

! Als de toevoerbuis niet lang genoeg is moet u zich wenden tot een gespecialiseerde winkel of een bevoegde installateur.

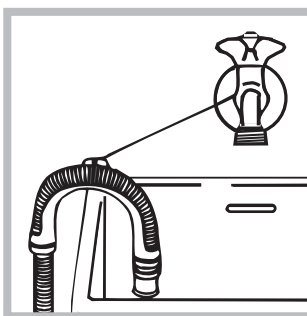
! Gebruik nooit tweedehands buizen.

! Gebruik de buizen die bij het apparaat worden geleverd.

## Aansluiting van de afvoerbuīs



Verbind de buīs, zonder hem te buigen, aan een afvoerleiding of aan een afvoer in de muur tussen de 65 en 100 cm van de grond af;



of hang hem aan de rand van een wasbak of badkuip, en bind de bijgeleverde steun aan de kraan (zie afbeelding). Het uiteinde van de afvoerslang mag niet onder water hangen.

! Gebruik nooit verlengstukken voor de buīs; indien dit niet te vermijden is moet het verlengstuk dezelfde doorsnede hebben als de oorspronkelijke buīs en mag hij niet langer zijn dan 150 cm.

## Elektrische aansluiting

Voordat u de stekker in het stopcontact steekt moet u zich ervan verzekeren dat:

- het stopcontact geaard is en voldoet aan de geldende normen;
- het stopcontact het maximum vermogen van de Wasdroogmachine kan dragen, zoals aangegeven in de tabel Technische Gegevens (zie hiernaast);
- de spanning zich bevindt tussen de waarden die zijn aangegeven in de tabel Technische Gegevens (zie hiernaast);
- de contactdoos geschikt is voor de stekker van de Wasdroogmachine. Indien dit niet zo is moet de stekker of het stopcontact vervangen worden.

! De machine mag alleen binnenshuis op een vorstvrije en droge plek worden geïnstalleerd om elektronische schade door bevriezing of condensatie te voorkomen.

! Als de Wasdroogmachine is geïnstalleerd moet het stopcontact gemakkelijk te bereiken zijn.

! Gebruik geen verlengsnoeren of dubbelstekkers.

! Het snoer mag niet gebogen of samengedrukt worden.

! De voedingskabel mag alleen door een bevoegde installateur worden vervangen.

Belangrijk! De fabrikant kan niet aansprakelijk worden gesteld wanneer deze normen niet worden nageleefd.

## Eerste wascyclus

Na de installatie en voor u de Wasdroogmachine in gebruik neemt, dient u een wascyclus uit te voeren met wasmiddel maar zonder wasgoed, op het programma "WASMACHINE REINIGEN" (zie "Reinigen van de Wasdroogmachine").

## Technische gegevens

<b>Model</b>	XWDA 751480
<b>Afmetingen</b>	breedte cm 59,5 hoogte cm 85 diepte cm 54
<b>Vermogen</b>	van 1 tot 7 kg voor het wassen; van 1 tot 5 kg voor het drogen;
<b>Elektrische aansluitingen</b>	zie het typeplaatje met de technische eigenschappen dat op het apparaat is bevestigd
<b>Aansluiting waterleiding</b>	max. druk 1 MPa (10 bar) min. druk 0,05 MPa (0,5 bar) Inhoud trommel 52 liters
<b>Snelheid centrifuge</b>	tot 1400 toeren per minuut
<b>Controleprogramma's volgens de reglement EN 50229</b>	<b>wassen:</b> programma 8 ; temperatuur 60°C; uitgevoerd met 7 kg lading. <b>drogen:</b> het drogen van de kleinste lading (2kg) moet worden uitgevoerd door het selecteren van het droogniveau "☁". De lading moet bestaan uit 2 lakens, 1 kussensloop en 2 handdoeken; het drogen van het overgebleven wasgoed moet worden uitgevoerd door het droogniveau "☁" te selecteren.
	Deze apparatuur voldoet aan de volgende CE voorschriften: - 2004/108/CE (Elektromagnetische compatibiliteit) - 2012/19/EU - WEEE - 2006/95/CE (Laagspanning)

# Onderhoud en verzorging

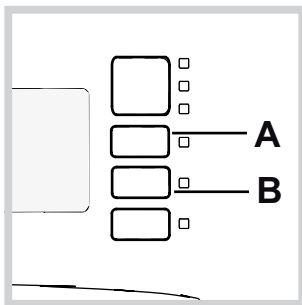
NL

## Afsluiten van water en stroom

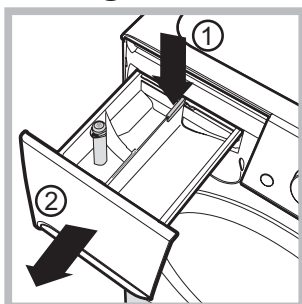
- Sluit na iedere wasbeurt de kraan af. Hiermee beperkt u slijtage van de waterinstallatie van de wasmachine en voorkomt u lekkage.
- Sluit altijd eerst de stroom af voordat u de Wasdroogmachine gaat schoonmaken en gedurende onderhoudswerkzaamheden.

## Reinigen van de Wasdroogmachine

- De buitenkant en de rubberen onderdelen kunnen met een spons en een lauw sopje worden schoongemaakt. Gebruik nooit schuurmiddelen of oplosmiddelen.
- De Wasdroogmachine beschikt over een programma "WASMACHINE REINIGEN" voor het reinigen van de binnenkant van de automaat. Dit moet worden uitgevoerd **als de automaat volledig leeg is**. Het wasmiddel (circa 10% van de hoeveelheid die wordt aanbevolen voor een niet zo vuile was) of de speciale reinigingsmiddelen voor wasautomaten kunnen worden gebruikt als hulpmiddelen tijdens dit wasprogramma. We raden u aan dit reinigingsprogramma elke 40 wascycli uit te voeren. Om dit programma te activeren drukt u tegelijkertijd 5 sec. op de toetsen **A** en **B** (zie afb.). Het programma start automatisch en heeft een duur van circa 70 minuten. Om de cyclus te beëindigen drukt u op de toets START/PAUSE.



## Reinigen van het wasmiddelbakje



Verwijder het laadje door op het hendeltje (1) te drukken en het naar voren te trekken (2) (zie afbeelding). Was het onder stromend water. Dit moet u regelmatig doen.

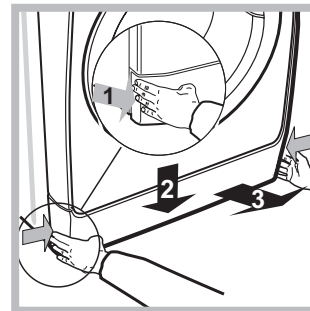
## Onderhoud van deur en trommel

- Laat de deur altijd op een kier staan om nare luchtjes te vermijden.

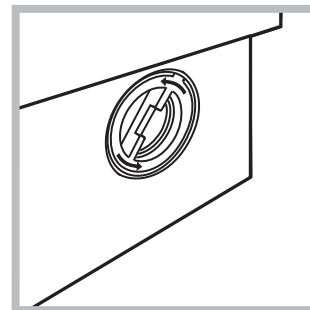
## Reinigen van de pomp

De Wasdroogmachine is voorzien van een zelfreinigende pomp en hoeft dus niet te worden onderhouden. Het kan echter gebeuren dat kleine voorwerpen (muntjes, knopen) in het voorvakje dat de pomp beschermt en zich aan de onderkant ervan bevindt, terechtkomen. **!** Verzekert u ervan dat de wascyclus beëindigd is en haal de stekker uit het stopcontact.

Toegang tot het voorvakje:



1. verwijder het afdekpaneel aan de voorzijde van de Wasdroogmachine door er op het midden op te drukken. Duw beide zijken naar beneden toe en verwijder het paneel (zie afbeeldingen).



2. draai het deksel eraf, tegen de klok in (zie afbeelding); het is normaal dat er een beetje water uit komt;

3. maak de binnenkant goed schoon;
4. schroef het deksel er weer op;
5. monteert het paneel weer, met de haakjes goed bevestigd in de juiste openingen, voordat u het paneel tegen de machine aandrukt.

## Controleren van de buis van de watertoevoer

Controleer minstens eenmaal per jaar de slang van de watertoevoer. Als er barstjes of scheuren in zitten moet hij vervangen worden: gedurende het wassen kan de hoge waterdruk onverwachts breuken veroorzaken.

- !** Gebruik nooit tweedehands buizen.

! De wasmachine is ontworpen en geproduceerd volgens de internationale veiligheidsnormen. Deze aanwijzingen zijn voor uw eigen veiligheid geschreven en moeten aandachtig worden doorgenomen.

## Algemene veiligheid

- Dit apparaat is uitsluitend ontworpen voor huishoudelijk niet-professioneel gebruik.
- Dit apparaat mag alleen door kinderen van 8 jaar en ouder, door personen met een beperkt lichamelijk, sensorieel of geestelijk vermogen, of met onvoldoende ervaring of kennis worden gebruikt, mits ze worden begeleid, of wanneer zij toereikende instructies hebben gekregen betreffende het veilige gebruik van het apparaat en mits zij op de hoogte zijn van de betreffende gevaren. Kinderen mogen niet met het apparaat spelen. Onderhoud en reiniging mogen niet door kinderen zonder supervisie worden uitgevoerd.
  - Geen ongewassen kledingstukken drogen.
  - Kleding die bevuild is met stoffen zoals kookolie, aceton, alcohol, benzine, kerosine, vlekkenverwijderaar, terpentijn, was en stoffen om was te verwijderen moet met een grotere hoeveelheid wasmiddel in warm water gewassen worden alvorens de kleding in de wasdroger te drogen.
  - Voorwerpen zoals schuimrubber, douchemutsen, waterdichte stoffen, artikelen met een rubberen kant en kleding of kussens die onderdelen van schuimrubber bevatten mogen niet in de wasdroger gedroogd worden.
  - Wasverzachter en gelijksoortige producten moeten overeenkomstig de instructies van de fabrikant gebruikt worden.
  - Het laatste deel van een droogcyclus wordt uitgevoerd zonder warmte (koelcyclus) om te zorgen dat de artikelen niet beschadigd worden. LET OP: Stop de wasdroger nooit voordat het droogprogramma beëindigd is. In dit geval snel al het wasgoed uit de droger halen en het wasgoed ophangen om het snel te laten drogen.
- Raak de machine niet aan als u blootsvoets bent of met natte of vochtige handen of voeten.
- Trek de stekker nooit uit het stopcontact door aan het snoer te trekken, maar altijd door de stekker zelf beet te pakken.
- Open het wasmiddelbakje niet terwijl de machine in werking is.
- Raak het afvoerwater niet aan aangezien het behoorlijk warm kan zijn.
- Forceer de deur nooit: het veiligheidsmechanisme dat een ongewild openen van de deur voorkomt, kan beschadigd worden.
- Probeer in geval van storingen nooit zelf de interne mechanismen van de Wasdroogmachine te repareren.
- Zorg ervoor dat kleine kinderen niet te dicht bij de machine komen als deze in werking is.
- De deur kan tijdens het wassen zeer heet worden.
- Als de machine verplaatst moet worden, doe dit dan met twee of drie personen tegelijk en zeer voorzichtig.

Doe dit nooit alleen, want het apparaat is erg zwaar.

- Voordat u het wasgoed in de automaat laadt, moet u controleren of hij leeg is.
- De glazen ruit wordt warm gedurende het drogen.
- Droog geen wasgoed dat met ontvlambare oplosmiddelen is gewassen (b.v. trieline).
- Droog geen schuimrubber of elastomeren of kledingstukken met rubberen opschriften e.d.
- Controleer dat gedurende het drogen de waterkraan open is.
- Kinderen van 3 jaar of minder mogen niet dicht bij de droger komen, tenzij onder constant toezicht.
- Verwijder alle voorwerpen, zoals aanstekers en lucifers, uit de zakken.

## Balanceersysteem van de lading

Om overmatige trillingen te vermijden verdeelt de automaat de lading voor het centrifugeren op een gelijkmatige manier. Dit gebeurt door de trommel te laten draaien op een snelheid die iets hoger ligt dan de wassnelheid. Als na herhaaldelijke pogingen de lading nog steeds niet goed is gebalanceerd, zal de Wasdroogmachine de centrifuge op een lagere snelheid uitvoeren dan die voorzien was. Als de lading zeer uit balans is zal de Wasdroogmachine een verdeling uitvoeren in plaats van een centrifuge. Teneinde een betere distributie van de waslading en een juiste balancering te bereiken raden wij u aan kleine en grote kledingstukken te mengen.

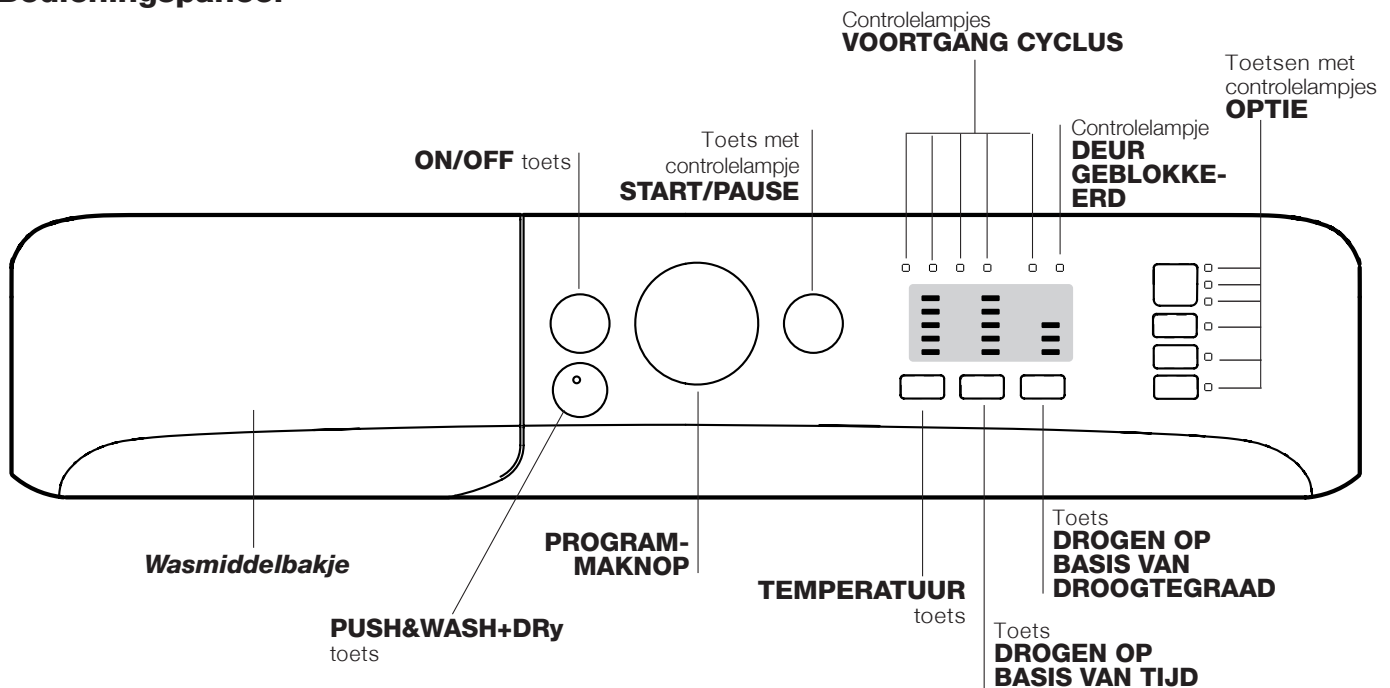
## Afvalverwijdering

- Het verwijderen van het verpakkingsmateriaal: houdt u aan de plaatselijke normen zodat het materiaal hergebruikt kan worden.
- De Europese richtlijn 2012/19/EU (WEEE), betreffende afgedankte elektrische en elektronische apparatuur, voorziet dat huishoudelijke apparatuur niet met het normale afval mag worden meegegeven. De afgedankte apparatuur moet apart worden opgehaald om het wedergebruik van materialen waarvan hij is gemaakt te optimaliseren en om potentiële schade aan de gezondheid en het milieu te voorkomen. Het symbool van de afvallemmer met een kruis staat op elk product, om aan te geven dat het apart moet worden weggegooid. Voor verdere informatie betreffende het correcte verwijderen van huishoudelijke apparatuur kunnen de gebruikers zich wenden tot de gemeentelijke reinigingsdienst of de verkoper.

# Beschrijving van de Wasdroogmachine en starten van een programma

NL

## Bedieningspaneel



**Wasmiddelbakje:** voor wasmiddelen en wasversterkers (zie "Wasmiddelen en wasgoed").

Toets **ON/OFF:** voor het in- en uitschakelen van de Wasdroogmachine.

Toets **PUSH&WASH+DRY:** (zie "Programma's").

**PROGRAMMAKNOP:** voor het instellen van de programma's. Gedurende het programma blijft de knop stilstaan.

Toetsen met controlelampje **OPTIE:** voor het selecteren van de beschikbare functies. Het controlelampje van de gekozen functie zal aanblijven.

**TEMPERATUUR toets:** voor het instellen van de temperatuur of koud wassen (zie "Persoonlijke Instellingen").


Toets **DROGEN OP BASIS VAN TIJD:** druk hierop om de gewenste droogtijd te selecteren. De gekozen droogtijd wordt door de controlelampjes aan de zijkant aangegeven.

Toets **DROGEN OP BASIS VAN DROOGTEGRAAD:** druk hierop om de gewenste droogtegraad te selecteren. De gekozen droogtegraad wordt door de controlelampjes aan de zijkant aangegeven.

Controlelampjes **VOORTGANG CYCLUS:** voor het volgen van het verloop van het wasprogramma. Het controlelampje geeft de lopende fase weer.

Controlelampje **DEUR GEBLOKKEERD:** om te zien of de deur kan worden geopend (zie pagina hiernaast).

Toets met controlelampje **START/PAUSE:** om programma's te starten of ze tijdelijk te onderbreken.

**N.B.:** om de lopende wascyclus te pauzeren drukt u op deze toets. Het oranje licht van het betreffende controlelampje zal gaan knipperen terwijl het lampje van de lopende fase vast aan zal blijven staan. Als het controlelampje DEUR GEBLOKKEERD  uit is, kunt u het deurtje openen (wacht circa 3 minuten).

Om het programma te hervatten drukt u opnieuw op deze toets.

### Stand- by modus

Deze Wasdroogmachine beschikt, in overeenkomst met de nieuwe normen betreffende de energiebesparing, over een systeem wat het apparaat automatisch na 30 minuten uitschakelt (stand-by) indien men het niet gebruikt. Druk kort op de ON-OFF toets en wacht tot de Wasdroogmachine weer aangaat.

Gebruik in off-mode: 0,5 W

Gebruik in Left-on: 8 W

## Controlelampjes

De controlelampjes geven belangrijke informatie. Ze geven informatie over:

### Controlelampjes lopende fase

Als u de gewenste wascyclus heeft geselecteerd en gestart gaan de controlelampjes één voor één aan om te tonen op welk punt de cyclus is:

Hoofdwass	
Spoelen	
Centrifuge/ Afpompen	
Drogen	
Einde hoofdwass	<b>END</b>

### Functietoetsen en betreffende controlelampjes

Als u een functie selecteert gaat het bijbehorende controlelampje aan. Als de gekozen functie niet geschikt is voor het ingestelde programma gaat het betreffende controlelampje knipperen en zal de functie niet worden geactiveerd.

Als de gekozen optie niet compatibel is met een voorheen ingestelde optie, zal dit worden aangegeven door het knipperen van het betreffende controlelampje en een geluidssignaal (3 pieptonen). Alleen de tweede optie zal worden geactiveerd en het lampje van de geactiveerde optie zal aangaan

## Een programma starten

### Snelle programmering

- HET WASGOED INLADEN.** Open de deur. Laad het wasgoed in en zorg ervoor nooit de laadhoeveelheid te overschrijden aangegeven in de programmatabel op de volgende bladzijde.
- WASMIDDEL DOSEREN.** Trek het bakje naar buiten en doe het wasmiddel in de speciale bakjes, zoals aangegeven in "Wasmiddelen en wasgoed".
- SLUIT DE DEUR.**
- Druk op de toets "Push&Wash+Dry" om het programma te starten.

### Traditionele programmering

- Schakel de machine in met de ON/OFF knop. Alle controlelampjes gaan een paar seconden aan, en daarna blijven de controlelampjes voor alle instellingen van het geselecteerde programma aan, en knippert het controlelampje START/PAUSE.
- Laad het wasgoed in en sluit de deur.

### Controlelampje deur geblokkeerd:

Als het controlelampje aan is betekent het dat de deur is geblokkeerd om te verhinderen dat hij per ongeluk wordt geopend. Om het deurtje te openen moet u wachten tot het controlelampje uitgaat. Om de deur te openen tijdens de wascyclus drukt u op de knop START/PAUSE; als het controlelampje DEUR GEBLOKKEERD uit is, kunt u het deurtje openen (wacht circa 3 minuten).

- Stel het gewenste programma in met de PROGRAMMAKNOP.
- Stel de wastemperatuur in (zie "Persoonlijke instellingen").
- Stel indien nodig het drogen in (zie "Persoonlijke instellingen").
- Voeg wasmiddel en wasversterkers toe (zie "Wasmiddelen en wasgoed").
- Selecteer de gewenste functies.
- Start het programma door op de START/PAUSE toets te drukken. Het betreffende controlelampje zal een vast groen licht vertonen. Om de ingestelde cyclus te annuleren zet u de Wasdroogmachine op pauze door op de START/PAUSE toets te drukken en een nieuwe cyclus te kiezen.
- Aan het einde van het programma gaat het controlelampje **END** aan. Als het controlelampje DEUR GEBLOKKEERD  uitgaat, kunt u het deurtje openen (wacht circa 3 minuten). Haal het wasgoed eruit en laat de deur op een kier staan zodat de trommel kan drogen. Schakel de Wasdroogmachine uit in met de ON/OFF toets.

# Programma's

NL

## Push&Wash+Dry

Met deze functie kunt u een automatische was- of droogcyclus starten terwijl de automaat uit is, zonder dat u daarvoor op de toets ON/OFF hoeft te drukken of, nadien, als u de automaat aanzet, zonder dat u andere toetsen en/of knoppen in hoeft te drukken (als u dit niet doet zal het programma Push&Wash+Dry worden uitgeschakeld). Om de Push&Wash+Dry cyclus te starten houdt u de knop 2 seconden lang ingedrukt. Het ontstoken controlelampje geeft aan dat de cyclus is gestart. Deze was- en droogcyclus is ideaal voor het wassen van katoenen en synthetisch wasgoed en werkt op een wastemperatuur van 30° met een maximale centrifugesnelheid van 1000 toeren per minuut. Tijdens het drogen is de maximaal bereikbare temperatuur 60°C. Aan het einde van het programma is de overgebleven vochtigheidsgraad van het wasgoed "☁". Max. aangeraden lading 2,5 kg. (Duur cyclus 210').

### Hoe werkt dit?

1. Laad het wasgoed in (katoenen en/of synthetisch wasgoed) en sluit de deur.
2. Wasmiddel en/of wasversterkers toevoegen.
3. Start het programma door 2 seconden op de toets Push&Wash+Dry te drukken. Het betreffende controlelampje zal groen worden en de deur zal worden geblokkeerd (het symbool deur geblokkeerd gaat aan).  
N.B.: Als u het programma start met de Push&Wash+Dry toets wordt een automatische was- en droogcyclus geactiveerd, aangeraden voor katoen en synthetisch wasgoed. Deze cyclus kan niet worden gepersonaliseerd.
4. Het is mogelijk het automatische programma alleen voor het wassen te gebruiken en niet voor het drogen. Nadat u op de toets Push&Wash+Dry heeft gedrukt, drukt u op de toets drogen ☁. Het symbool van het niveau "☁" gaat uit. De maximale lading voor alleen wassen is 3,5 kg (Duur cyclus 50'). Het is niet mogelijk het programma verder aan te passen. Om de deur te openen terwijl de automatische cyclus bezig is, drukt u op de START/PAUSE toets. Als het symbool deur geblokkeerd uit is kunt u de deur, alleen tijdens de wasfase, openen. Druk nogmaals op de START/PAUSE toets om het programma te hervatten vanaf het punt dat het werd onderbroken.
5. Aan het einde van het programma gaat het controlelampje END aan.

## Programmatabel

Programma's	Beschrijving van het Programma	Maxi. Temp (°C)	Maximaal toerental (toeren per minuut)	Drogen	Maximale lading voor het drogen (Kg)	Wasmiddel				Maximale lading voor het wassen (Kg)	Duur wascyclus
						Voorwas	Wassen	Wasverzachter	Bleken		
<b>Speciaal</b>											
1	Sport kleding	30°	600	●	3	-	●	●	-	3,5	55'
2	Donkere kleding	30°	800	●	2,5	-	●	●	-	4	70'
3	Anti-Geur cyclus (Katoen)	60°	1000	●	3,5	-	●	●	-	3,5	110'
3	Anti-Geur cyclus (Synthetisch)	40°	1000	●	3	-	●	●	-	3,5	100'
4	Delilcaat	30°	0	●	1	-	●	●	-	1	80'
5	Wol: voor wol, kasjmier, etc.	40°	800	●	1,5	-	●	●	-	1,5	70'
6	Snel 30'	30°	800	●	3	-	●	●	-	3	30'
<b>Standaard</b>											
7	Katoen Wit 90° + P: Zeer vuile witte was.	90°	1400	●	5	●	●	●	-	7	170'
8	☁ Katoen 60° (1-2): Zeer vuil wit en kleurecht bont wasgoed.	60° (Max. 90°)	1400	●	5	-	●	●	-	7	170'
9	Synthetisch: Zeer vuile kleurvaste bonte was.	60°	800	●	3	-	●	●	-	3,5	110'
10	Gekleurd	40°	1400	●	5	-	●	●	-	7	100'
11	Eco Katoen 20°: Niet zo vuile witte en bonte was.	20°	1400	●	5	-	●	●	-	7	170'
12	Eco Synthetisch	20°	800	●	5	-	●	●	-	7	120'
<b>Automatisch</b>											
13	Was&Droog 45'	30°	1400	●	1	-	●	●	-	1	45'
14	AirFresh	-	-	●	1,5	-	-	-	-	-	30'
<b>Delprogramma's</b>											
☁	Spoelen/Bleken	-	1400	●	5	-	-	●	●	7	50'
🌀	Centrifugeren + Afpompen	-	1400	●	5	-	-	-	-	7	10'

De duur van de cyclus die wordt aangegeven op het display of op de gebruiksaanwijzing is een geschatte waarde die wordt gecaluleerd bij standaard omstandigheden. De effectieve tijd kan variëren aan de hand van talloze factoren zoals temperatuur en druk van de watertoevoer, de kamertemperatuur, de hoeveelheid wasmiddel, de hoeveelheid en type lading, de balancering van de was en de geselecteerde aanvullende opties.

Voor alle Test Institutes:

- 1) Controleprogramma volgens de reglement EN 50229: selecteer het programma 8 met een temperatuur van 60°C.
- 2) Programma katoen lang: selecteer het programma 8 met een temperatuur van 40°C.



## Instellen van de temperatuur

De TEMPERATUURTOETS indrukken te draaien kunt u de wastemperatuur instellen (zie *Programmatabel*).

De temperatuur kan verlaagd worden tot aan koud wassen (❄). De machine voorkomt dat u een temperatuur instelt die hoger is dan het maximum voorzien voor dat programma.

! Uitzondering: als u het programma 8 selecteert kunt u de temperatuur tot op 90° instellen.

## Instellen van het drogen

U kunt kiezen tussen twee soorten droogniveaus, op basis van **tijd** of op basis van **droogtegraad**.

Als u op de toets DROGEN OP TIJD ☀️ drukt kiest u de gewenste droogtijd: 40' - 90' - 120' - 150' - 180'.

De eerste keer dat u op de toets drukt verschijnt de minimum tijd die kan worden toegepast op het ingestelde programma. Wanneer de automaat de droogfase is begonnen kunt u, door meerdere malen op de toets DROGEN OP TIJD te drukken, de droogduur die u voorheen had ingesteld inkorten. De controlelampjes zullen de nieuw geselecteerde droogduur aangeven en de overgebleven droogtijd zal rekening houden met de tijd die reeds is verstreken.

Als u op de toets DROGEN OP NIVEAU ☀️ drukt kiest u de gewenste droogtegraad:

**Kast** 🗑️: geschikt voor wasgoed dat direct in de kast kan worden gelegd, zonder te worden gestreken.

**Hanger** 🧥: ideaal voor die kledingstukken die geen volledige droging nodig hebben.

**Strijk** 🧺: geschikt voor wasgoed dat naderhand moet worden gestreken. De overgebleven vochtigheid zal de vouwen verzachten en het verwijderen ervan vergemakkelijken.

Als in een uitzonderlijk geval de lading wasgoed voor wassen en drogen meer is dan het toegestane maximum (zie *Programmatabel*), dan voert u eerst het wassen uit. Aan het einde hiervan verdeelt u de lading en laadt u één gedeelte in de trommel. Volg nu de aanwijzingen voor het uitvoeren van "Alleen drogen". Herhaal deze handelingen met de rest van de lading. Aan het einde van de droogcyclus wordt altijd een afkoeltijd ingezet.

**N.B.:** als alle controlelampjes voor het drogen uit zijn, voert de machine **geen** droogfase uit.

Tabel droogtijden (indicatieve waarden)

Soort stof	Soort lading	Max. lading (kg)	Kast 🗑️	Hanger 🧥	Strijk 🧺
Katon	Wasgoed van versch. grootte, Handdoeken.	5	250	210	190
Synthetisch	Lakens, overhemden, Pyjama's, sokken enz.	3	180	130	115
Wol	Truien, pullovers, enz.	1,5	155	135	115

## Alleen drogen

Druk op de toets 🧺 als u het wasgoed alleen wilt drogen.

Nadat u het gewenste programma heeft geselecteerd, dat compatibel is met het te behandelen wasgoed, kunt u op de toets 🧺 drukken. Hiermee sluit u de wasfase uit en wordt de droogcyclus gestart met de maximaal voorziene droogtegraad die bij het gekozen programma kan worden uitgevoerd. Het is mogelijk het niveau of de duur van het drogen te wijzigen of in te stellen door op de droogtoetsen ☀️, ☀️ te drukken. (Deze optie is niet compatibel met de programma's 13 en 14).

## Wassen opties

De verschillende functies van de Wasdroogmachine zorgen voor de door u gewenste schone en witte was.

Voor het activeren van de functies:

1. druk op de toets die bij de gewenste functie hoort;
2. het aangaan van het betreffende controlelampje geeft aan dat de functie actief is.

### N.B.:

- Als de gekozen functie niet geschikt is voor het ingestelde programma gaat het betreffende controlelampje knipperen en zal de functie niet worden geactiveerd.
- Als de gekozen optie niet compatibel is met een voorheen ingestelde optie, zal dit worden aangegeven door het knipperen van het betreffende controlelampje en een geluidssignaal (3 pieptonen). Alleen de tweede optie zal worden geactiveerd en het lampje van de geactiveerde optie zal aangaan

## Antivlek

Met deze optie kunt u het type vuil selecteren zodat u de cyclus zo goed mogelijk kunt instellen om de vlekken te verwijderen. De type's vuil zijn:

- 🍽️ **Voedsel**, voor bv. vlekken van voeding of drank.
- 🧼 **Werk**, voor bv. vlekken van vet of inkt.
- 🌿 **Outdoor**, voor bv. vlekken van modder of gras.

! De duur van de wascyclus varieert aan de hand van het soort gekozen vuil.

½🌀

Door het drukken op deze toets vermindert de snelheid van de centrifuge.

## Extra Spoelen

Door deze optie te selecteren verhoogt u het spoelresultaat en zorgt u ervoor dat elk spoor van wasmiddel verdwijnt. Deze optie is vooral nuttig bij personen met een gevoelige huid.

# Wasmiddelen en wasgoed

NL

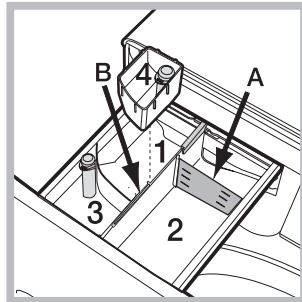
## Wasmiddelbakje

Een goed wasresultaat hangt ook af van de juiste dosis wasmiddel: te veel wasmiddel maakt het wassen niet beter. Het wasmiddel blijft aan de binnenzijde van de Wasdroogmachine zitten en zorgt voor het vervuilen van het milieu.

! Gebruik nooit wasmiddelen voor handwas aangezien die te veel schuim vormen.

! Gebruik waspoeder voor witte katoenen was, voor de voorwas en voor het wassen op temperaturen van meer dan 60°C.

! Volg de aanwijzingen op de wasmiddelverpakking.



Trek het laagje naar voren en giet het wasmiddel of de wasversterker er als volgt in:

### Vak 1: Wasmiddel voor voorwas (poeder)

Voordat u het middel erin strooit moet u controleren of het aanvullende bakje 4 er niet in zit.

### Vak 2: Wasmiddel voor hoofdwash (poeder of vloeibaar)

Als u een vloeibaar wasmiddel gebruikt raden we u aan het bijgeleverde schotje **A** te gebruiken voor een correcte dosering. Voor het gebruik van poederwasmiddel doet u het schotje terug in de opening **B**.

### Vak 3: Wasversterkers (wasverzachter, enz.)

De wasverzachter mag nooit het niveau "max" overschrijden dat staat aangegeven op de centrale pin.

### Extra bakje 4: Bleekmiddel

## Bleekcyclus

Plaats het bijgeleverde bakje 4 in het vak 1. Schenk het bleekmiddel en zorg ervoor nooit het "max" niveau, dat staat aangegeven op de centrale spil, te overschrijden. Om te bleken giet u het bleekwater in het aanvullende bakje 4 en stelt u het programma in .

! Het traditionele bleekmiddel kan voor stevig wit wasgoed gebruikt worden, terwijl het delicate bleekmiddel geschikt is voor gekleurde stoffen, synthetische stoffen en wol.

## Voorbereiden van het wasgoed

- Verdeel het wasgoed volgens:
  - het soort stof / het symbool op het etiket.
  - de kleuren: scheid de bonte was van de witte was.
- Leeg de zakken en controleer de knopen.
- Overschrijd het aangegeven gewicht, berekend voor droog wasgoed, nooit: zie "Programmatabel".

## Hoeveel weegt wasgoed?

- 1 laken 400-500 g.
- 1 sloop 150-200 g.
- 1 tafelleed 400-500 g.
- 1 badjas 900-1200 g.
- 1 handdoek 150-250 g.

## Speciale programma's

**Sport kleding** (programma 1) is ontwikkeld voor het wassen van niet zo vuile sportkleding (trainingspakken, sportbroeken, enz.). Om optimale resultaten te bereiken raden wij u aan nooit de maximaal aangegeven hoeveelheid te overschrijden die staat aangegeven in de "Programmatabel". We raden u aan een vloeibaar wasmiddel te gebruiken, met een hoeveelheid die voldoende is voor een halve lading.

**Donkere kleding:** gebruik de programma 2 voor het wassen van bonte was. Het programma is ontwikkeld voor het langdurige behoud van de donkere kleuren. Voor een beter resultaat raden we u aan voor de bonte was een vloeibaar wasmiddel te gebruiken.

Als u de functie drogen selecteert dan zal, aan het einde van de wascyclus, automatisch een fijne droogcyclus worden uitgevoerd die de kleuren van de kleding beschermt. Het display toont het niveau . Max. Lading: 2,5 kg.

**Anti-Geur cyclus:** gebruik het programma 3 voor het wassen van wasgoed waar nare luchtjes aan zitten (bv. rook, zweet, frituur). Het programma is speciaal ontwikkeld voor het verwijderen van nare luchtjes en het behouden van de vezels van de kleding. We raden u aan synthetisch wasgoed of gemengd wasgoed op 40° te wassen en kleurbestendig katoen op 60°.

**Delicaat:** gebruik het programma 4 voor het wassen van zeer fijne was. We raden u aan de kleding binnenstebuiten te keren voor u hem wast. Voor een beter resultaat raden we u voor de fijne was aan een vloeibaar wasmiddel te gebruiken.

Als u de droogfunctie uitsluitend op een tijdsbasis selecteert, zal aan het einde van de wascyclus een bijzonder fijne droogcyclus van start gaan, gekenmerkt door lichte bewegingen en door een qua temperatuur bijzonder gecontroleerde luchtstroom.

De aanbevolen tijden zijn:

1 kg synthetische was --> 150 min.

1 kg synthetische en katoenen was --> 180 min.

1 kg katoenen was --> 180 min.

De droogtegraad zal afhangen van de lading wasgoed en de samenstelling van het materiaal.

**Wol:** het "Wol" wasprogramma van deze wasmachine is door The Woolmark Company getest en goedgekeurd voor het wassen van kleding waar wol in is verwerkt en die als handwas geclassificeerd is, op voorwaarde dat de aanwijzingen worden opgevolgd die op het etiket van het kledingstuk vermeld staan en de instructies van de fabrikant van de wasmachine. (M1126)



**Snel 30'** (programma 6) deze cyclus 30' is ontwikkeld om een licht vuile was te wassen op 30° (wol en zijde uitgezonderd), met een maximale lading van 3 kg, in een zeer korte tijd: de cyclus duurt slechts 30 minuten en bespaart dus elektriciteit en tijd.

**Gekleurd:** gebruik de programma 10 voor het wassen van licht gekleurde was. Het programma is ontwikkeld voor het langdurige behoud van de mooie kleuren van uw wasgoed.

**Eco Katoen 20°** (programma 11) Katoen ideaal voor een lading vuil katoen. De optimale prestaties, zelf met koud water, die kunnen worden vergeleken met een wascyclus op 40°C, worden gegarandeerd door een mechanische werking die de snelheid varieert met herhaaldelijke en zeer dicht op elkaar liggende piekvariaties.

**Eco Synthetisch** (programma 12) ideaal voor gemengd wasgoed (katoen en synthetisch) dat middelmatig vuil is. De optimale prestaties, zelf met koud water, worden gegarandeerd door een mechanische werking die de snelheid varieert met middelmatige en van te voren vastgestelde intervallen.

**Was&Droog 45'** (programma 13) gebruik het programma voor het snel wassen en drogen van kledingstukken (Katoen en Synthetisch) die niet zo vuil zijn. Als u deze cyclus selecteert kunt u tot aan 1 kg wasgoed wassen en drogen, in slechts 45 minuten. Gebruik voor de beste resultaten een vloeibaar wasmiddel. Behandel manchetten, kragen en vlekken eerst voor met een speciaal product..

**AirFresh** (programma 14) ideale cyclus om in 30' nare luchtjes van katoenen en synthetisch wasgoed (max 1,5 kg) te verwijderen en om kleren op te frissen, in het bijzonder als deze zijn doordrongen van rooklucht, zonder de wasfase te gebruiken.

Het kan gebeuren dat de Wasdroogmachine niet werkt. Voor u contact opneemt met de Servicedienst (zie "Service") moet u controleren of het niet een storing betreft die u zelf makkelijk kunt verhelpen met behulp van de volgende lijst.

## Storingen:

### De Wasdroogmachine gaat niet aan.

### De wascyclus start niet.

### De Wasdroogmachine heeft geen watertoevoer (het controlelampje van de eerste wasfase knippert snel).

### De Wasdroogmachine blijft water aan- en afvoeren.

### De Wasdroogmachine voert het water niet af of centrifugeert niet.

### De machine trilt erg tijdens het centrifugeren.

### De Wasdroogmachine lekt.

### De controlelampjes van de "Opties" en het controlelampje "START/PAUSE" gaan knipperen, en een van de controlelampjes van de "lopende fase" en van "deur geblokkeerd" blijven vast aanstaan.

### Er ontstaat teveel schuim.

### Push&Wash+Dry wordt niet geactiveerd.

### De Wasdroogmachine droogt niet.

## Mogelijke oorzaken / Oplossing:

- De stekker zit niet in het stopcontact of niet ver genoeg om contact te maken.
- Het hele huis zit zonder stroom.

- De deur zit niet goed dicht.
- De ON/OFF toets is niet ingedrukt.
- De START/PAUSE toets is niet ingedrukt.
- De waterkraan is niet open.

- De watertoevoerbus is niet aangesloten op de kraan.
- De bus is gebogen.
- De waterkraan is niet open.
- Het hele huis zit zonder water.
- Er is onvoldoende druk.
- De START/PAUSE toets is niet ingedrukt.

- De afvoerbus is niet op 65 tot 100 cm afstand van de grond af geïnstalleerd (zie "Installatie").
- Het uiteinde van de afvoerbus ligt onder water (zie "Installatie").
- De afvoer in de muur heeft geen ontluuchting.

Als na deze controles het probleem niet is opgelost, moet u de waterkraan dichtdraaien, de Wasdroogmachine uitzetten en de Servicedienst inschakelen. Als u op een van de hoogste verdiepingen van een flatgebouw woont kan zich een hevelingsprobleem voordoen, waarbij de Wasdroogmachine voortdurend water aan- en afvoert. Om deze storing te verhelpen zijn er in de handel speciale beluchters te koop.

- Het programma voorziet geen afvoer: bij enkele programma's moet dit met de hand worden gestart (zie "Starten en Programma's").
- De afvoerbus is gebogen (zie "Installatie").
- De afvoerleiding is verstopt.

- De trommel is bij het installeren niet op de juiste wijze gedeblokkeerd (zie "Installatie").
- De Wasdroogmachine staat niet goed recht (zie "Installatie").
- De Wasdroogmachine staat te krap tussen meubels en muur (zie "Installatie").

- De bus van de watertoevoer is niet goed aangeschroefd (zie "Installatie").
- Het wasmiddelbakje is verstopt (voor reiniging zie "Onderhoud en verzorging").
- De afvoerbus is niet goed aangesloten (zie "Installatie").

- Doe de Wasdroogmachine uit en haal de stekker uit het stopcontact. Wacht circa 1 minuut en doe hem daarna weer aan.
- Als de storing voortzet, dient u de Servicedienst in te schakelen.

- Het wasmiddel is niet bedoeld voor wasautomaten (er moet "voor Wasdroogmachine", "handwas en machinewas", of dergelijke op staan).
- U heeft teveel wasmiddel gebruikt.

- Nadat de Wasdroogmachine wordt ingeschakeld heeft u een andere opdracht ingevoerd i.p.v. Push&Wash+Dry. Schakel de Wasdroogmachine uit en druk op de knop Push&Wash+Dry.

- De stekker is niet in het stopcontact of niet ver genoeg ingestoken om contact te maken.
- Er is geen stroom.
- De deur is niet goed dicht.
- Alle controlelampjes voor het drogen zijn uit.

# Service

---

NL

## **Voordat u de Servicedienst inschakelt:**


- Controleer eerst of u het probleem zelf kunt oplossen (*zie "Storingen en oplossingen"*).
- Start het programma opnieuw om te controleren of de storing is verholpen;
- Als dit niet het geval is moet u contact opnemen met de erkende Technische Servicedienst via het telefoonnummer dat op het garantiebewijs staat.

! Wendt u nooit tot een niet erkende installateur.

## **Vermeld:**

- het type storing;
- het model van de machine (Mod.);
- het serienummer (S/N);

Deze informatie vindt u op het typeplaatje aan de achterkant van de Wasdroogmachine en aan de voorzijde als u het deurtje opendoet.

!  Овај симбол вас подсећа да прочитате ову књижицу са упутствима.

SR

SR

Српски

XWDA 751480

### Садржај

#### Постављање, 38-39

Распакивање и нивелисање  
Повезивање на водоводну и електричну мрежу  
Први циклус прања  
Технички подаци

#### Одржавање и чување, 40

Искључивање воде и електричне енергије  
Чишћење машине за прање веша  
Чишћење посуде за детерџент  
Нега врата и бубња  
Чишћење пумпе  
Провера црева за напајање водом

#### Упозорења и савети, 41

Општа сигурност  
Систем балансирања терета  
Одлагање на отпад

#### Опис машине за прање веша и покретање програма, 42-43

Командна табла  
Контролне лампице  
Покретање програма

#### Програми, 44

Push&Wash+Dry  
Табела програма

#### Персонализације, 45

Подешавање температуре  
Подешавање циклуса сушења  
Оперите опције

#### Детерџенти и веш, 46

Посуда за детерџент  
Циклус бељења  
Припрема веша  
Посебни програми

#### Неправилности и решења, 47

#### Техничка служба, 48

# Постављање

SR

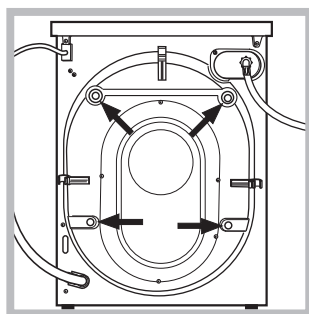
! Важно је сачувати ову књижицу како бисте је могли консултовати у сваком тренутку. У случају продаје, уступања или селидбе, обезбедите да остане уз машину за прање веша како би нови власник могао да се обавести о раду и одговарајућим упозорењима.

! Пажљиво прочитати упутства: садрже важне информације о постављању, употреби и безбедности.

## Распакивање и нивелисање

### Распакивање

1. Распакивање машине за веш.
2. Проверити да машина није претрпела оштећења при транспорту. Уколико је оштећена, немојте је повезивати и обратите се продавцу.



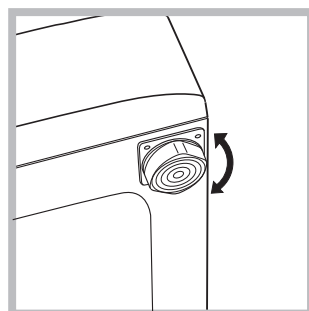
3. Скините 4 завртња постављена као заштита при транспорту и гумицу са одговарајућим одбојником, постављене на задњем делу машине (погледајте слику).

4. Затворити отворе приложеним пластичним затварачима.
5. Сачувати све делове: уколико машину треба транспортовати, биће потребно поново их поставити.

! Амбалажа није играчка за децу.

### Нивелисање

1. Поставити машину на равну и чврсту површину, не наслањати је на зид, намештај или друге површине.

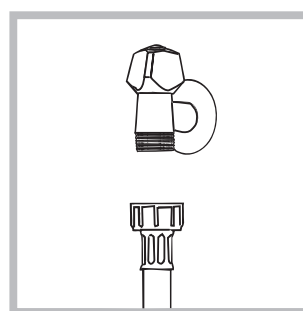


2. Уколико под није савршено раван, надокнадите неправилност отпуштањем или затезањем предњих стопица (погледајте слику); угао нагиба, измерен на радној површини не сме прелазити 2°.

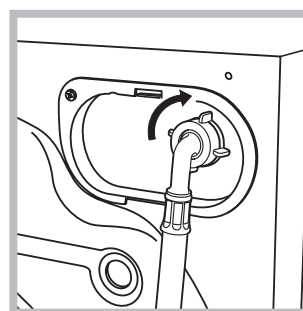
Прецизно нивелисање даје стабилност и спречава вибрације, буку и померање током рада машине. У случају да машину постављате на итисон или тепих, подесите стопице тако да испод машине оставите довољно простора за вентилацију.

## Повезивање на водоводну и електричну мрежу

### Повезивање црева за напајање водом



1. Повежите црево за напајање са славинам за хладну воду са навојем на излазном отвору од 3/4 цола (погледајте слику). Пре повезивања пустите воду да тече све док не постане чиста.



2. Повежите доводно црево са машином заврћући га на одговарајући прикључак за воду, на задњем делу машине, горе десно (погледајте слику).

3. Обратите пажњу да црево не буде преломљено или пригњечено.

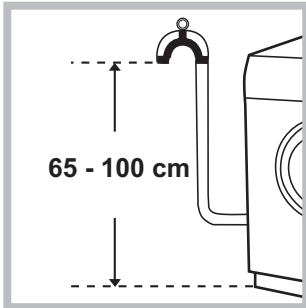
! Притисак воде у славини треба да се креће у границама вредности датим у табели са Техничким подацима (погледајте страницу поред).

! Уколико дужина доводног црева није довољна, обратите се специјализованој продавници или овлашћеном сервисеру.

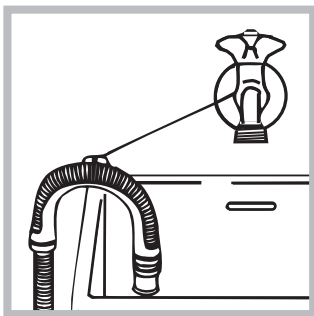
! Никада не користите већ коришћена црева.

! Користите црева испоручена уз машину.

## Повезивање одводног црева



Повежите одводно црево, без савијања, на одводну цев или на одвод у зиду постављене на 65 до 100 цм од земље;



можете га преbacити преко ивице умиваоника или каде, али га морате причврстити за славину (погледајте слику). Слободни крај одводног црева не сме да

буде уроњен у воду.

! Не препоручујемо употребу продужних црева; ако је неопходно, продужетак треба да буде истог пречника као и оригинално црево и да не прелази 150 цм.

## Повезивање на електричну мрежу

Пре него што гурнете утикач у утичницу, проверите да ли:

- је утичница повезана са уземљења изведеним у складу са прописима;
- је утичница у могућности да издржи максимално оптерећење снаге машине, наведено у табели са Техничким подацима (погледајте поред);
- се напон напајања креће у границама вредности наведених у табели са Техничким подацима (погледајте поред);
- је утичница компатибилна са утикачем машине. У случају да не одговара, променити утичницу или утикач.

! Не постављајте машину на отворено, чак ни ако је простор преправљен, јер је веома опасно остављати је изложеној киши и временским непогодама.

! Код инсталирања машине утичница мора да буде лако доступна.

! Не употребљавајте продужне каблове и разделнике.

! Кабл не сме да буде изложен савијању или притискању.

! Замену напојног кабла треба да обавља само овлашћени сервисер.

Пажња! Произвођач се оgraђује од сваке одговорности у случају непоштовања ових норми.

## Први циклус прања

Након постављања, пре употребе, извршите циклус прања са детерџентом и без веша задајући програм „Самочишћење“ (погледајте „Чишћење машине за прање веша“).

Технички подаци	
Модел	XWDA 751480
Димензије	ширина 59,5 цм висина 85 цм дубина 54 цм
Капацитет	од 1 до 7 кг за прање од 1 до 5 кг за сушење
Електрично повезивање	Погледајте налепницу са техничким карактеристикама која се налази на машини
Повезивање на водоводну мрежу	максималан притисак 1 МПа (10 бара) минималан притисак 0,05 МПа (0,5 бара) капацитет бубња 52 литра
Брзина центрифуге	до 1400 обртаја у минути
Пробни програми према регулација EN 50229	<b>прање:</b> програм 8, температура 60°C; највише 7 кг терета. <b>сушење:</b> сушење мале количине веша (2kg) треба обавити бирањем нивоа сушења “☁”, веш треба да се састоји од 2 постељине, 1 јастучнице и 2 пешкира; сушење преосталог веша треба обавити бирањем нивоа сушења “☁”.
 	Ова опрема је усклађена са следећим Директивама заједнице: - 2004/108/CE (електромагнетна компатибилност) - 2006/95/CE (Ниски напон) - 2012/19/EU - WEEE

# Одржавање и чување

SR

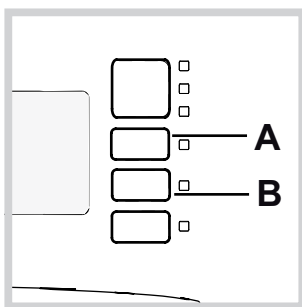
## Искључивање воде и електричне енергије

- Затворите славину за воду после сваког прања. Овим се спречава хабање водоводних инсталација машине и уклања опасност од цурења.
- Електрични кабл уклоните када чистите машину и током поправки.

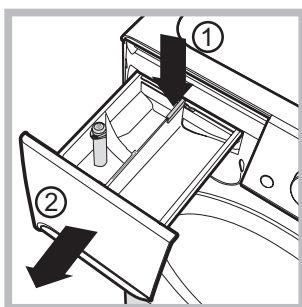
## Чишћење машине за прање веша

- Спољашњи и гумени делови се могу чистити меком крпом навлашеном млаком водом и сапуницом. Не користите растворе или абразивна средства.
- Машина за прање рубља има програм „Самочишћење“ за **унутрашње делове који треба обавити без икакве одеће у бубњу**.

Детерџент (количина одговара 10% од оне која се препоручује за мало запрљану одећу) или посебни адитиви за чишћење машине за прање рубља могу се користити као додатак у току програма прања. Препоручује се програм чишћења на сваких 40 циклуса прања. Да бисте активирали програм, истовремено притисните тастере **A** и **B** на 5 секунди. (погледајте слику). Програм почиње аутоматски и траје око 70 минута. Да бисте зауставили циклус, притисните тастер START/PAUSE.



## Чишћење посуде за детерџент



извлачење посуде притисните полугу (1) и повуците је према споља (2) (погледајте слику). Испрати је под млазом воде; овакво чишћење треба често радити.

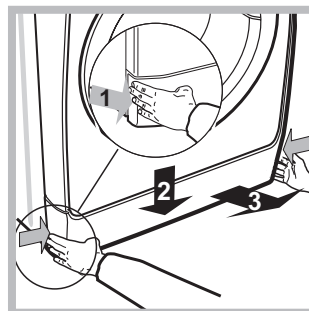
## Нега врата и бубња

- Врата увек остављајте одшкринута да би се избегло стварање непријатних мириса.

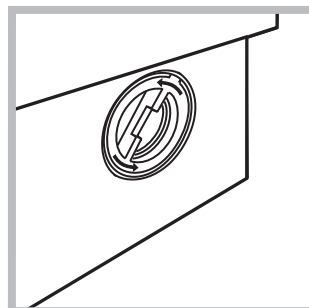
## Чишћење пумпе

Машина је опремљена пумпом која се сама чисти и није јој потребно одржавање. Ипак, може се десити да мали предмети (метални новац, дугмад) упадну у предкомору која штити пумпу, а која се налази у њеном доњем делу. **!** Уверите се да је циклус прања завршен и извучите утикач.

За приступ преткомори:



1. скинути плочу на предњем делу машине помоћу одвијача (погледајте слику);



2. одвртите поклопац okreћући га у супротно од смера кретања казаљке на сату (погледајте слику); излазак воде је нормалан;

3. очистите унутрашњост пажљиво;  
4. вратите поклопац;  
5. вратите плочу, водећи рачуна да су шарке убачене у одговарајуће осовине, пре него што га притиснете према машини.

## Провера црева за напајање водом

Црево за довод воде проверите барем једном годишње. Уколико има напрстина и пукотина треба га заменити: јаки притисци током прања могли би изазвати изненадна пуцања.

**!** Никада не користите већ коришћена црева.



! Машина је пројектована и направљена да задовољи све међународне безбедносне норме. Ова упозорења су дата из безбедносних разлога и треба их пажљиво прочитати.

## Општа сигурност

- Овај уређај је направљен искључиво за кућну употребу.
  - Овај уређај могу да користе деца од 8 година старости и особе са смањеним физичким, сензорним и менталним могућностима и са недовољним искуством и знањем ако их неко надгледа или ако су добили адекватне информације у вези са коришћењем уређаја на сигуран начин и разумели опасне спојеве. Деца не смеју да се играју са уређајем. Одржавање и чишћење не смеју да обављају деца без надгледања.
    - Немојте да сушите одећу која није опрана.
    - Одећу која је упрљана супстанцама као што су уље за кување, ацетон, алкохол, бензин, керозин, средства за уклањање мрља, терпентин, восак и суспензије за његово уклањање треба прати у топлој води са већом количином детерџента пре него што их осушите у сушачу.
    - Објекте као што су еластична гума (пена од латекса), капица за туширање, непропусни материјали, предмети са деловима од гуме и одећа или јастуци који имају делове од пене од латекса не треба сушити у сушачу.
    - Омекшиваче или сличне производе треба користити према упутству произвођача.
    - Завршни део циклуса сушења се одвија без топлоте (циклус хлађења) да би се осигурало да се предмети не оштете.
- ПАЖЊА:** Никада не заустављајте сушач пре краја програма сушења. Ако се то деси, одмах извадите сву одећу и окачите је да би се брзо охладила.
- Машину не додирујте босим ногама или влажних руку или ногу.
  - Утикач из утичнице не извлачите повлачењем за кабл, него чврсто ухватите утикач.
  - Не отварајте посуду за детерџенте док машина ради.
  - Не додирујте воду која се испушта, јер може достићи високу температуру.
  - Ни у ком случају не отварајте врата силом: могао би се оштетити сигурносни механизам који спречава случајно отварање.
  - У случају квара, нипошто не пролазити унутрашњим механизмима у покушају поправљања.
  - Проверавајте стално да се деца не приближавају машини док ради.
  - Током прања врата машине могу се могу загрејати.
  - Уколико треба померити машину, то треба да раде две или три особе уз максималну пажњу. Ово немојте никада радити сами, јер је машина веома тешка.

- Пре убацивања веша проверите да ли је бубањ празан.
- Не сушите рубље опрано запаљивим растворима (нпр. трелин).
- Не сушите гуму и сличне еластомере.
- Током фаза сушења славина за воду треба да буде одвртнута.
- Извадите све предмете из џепова, као што су упаљачи и шибице.
- Децу млађу од 3 године треба држати даље од машине за сушење веша ако нису под сталним надзором.

## Систем балансирања терета

Пре сваке центрифуге, да би се избегле претеране вибрације и терет равномерно распоредио, бубањ се окреће брзином мало већом од оне током прања. Ако се после неколико поновљених покушаја терет још увек није равномерно распоредио, машина ће извршити центрифугу брзином мањом од предвиђене. У случају великог дисбаланса, распоређивање врши машина уместо центрифуге. Да би се побољшало распоређивање терета и правилно балансирање, препоручује се мешање великих и малих комада веша.

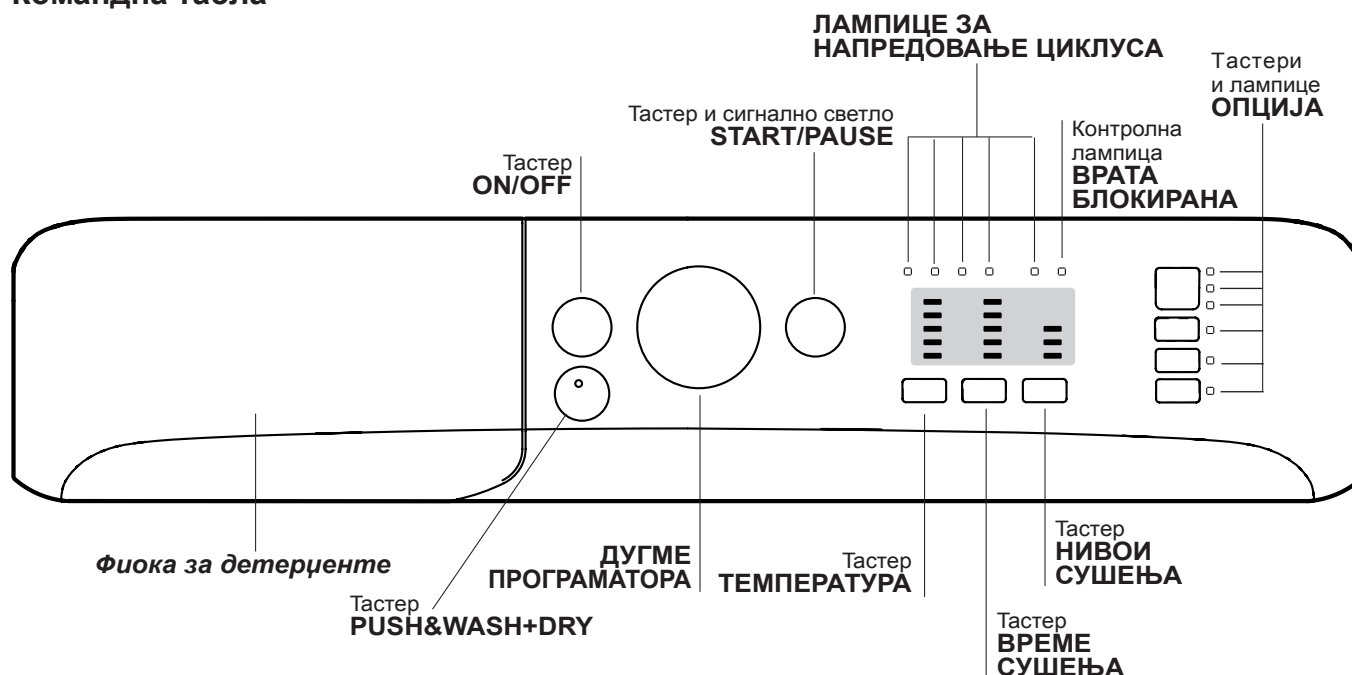
## Одлагање на отпад

- Одлагање амбалаже на отпад: придржавајте се локалних прописа, тако да амбалажа може бити поново употребљена.
- Европска директива 2012/19/EU (WEEE) о отпаду електричних и електронских уређаја, прописује да кућни уређаји не смеју бити одлагани у редовном промету чврстог градског отпада. Одбачене уређаје треба посебно сакупити чиме се побољшава стопа прикупљања корисног отпада и рециклаже материјала од којих су сачињени и спречава потенцијално нарушавање здравља и животне средине. Символ прецртане канте за отпатке налази се на свим производима да би подсетио на обавезу одвојеног сакупљања. За детаљније информације о правилном одлагању кућних уређаја власници се могу обратити предвиђеној јавној служби или продавцима.

# Опис машине за прање веша и покретање програма

SR

## Командна табла



**Флока за детерџент:** за сипање детерџената и омекшивача (види “Детерџенти и веш”).

Тастер **ON/OFF**: Притисните га за укључивање или искључивање машине.

Тастер **PUSH&WASH+DRY**: (види “Програми”).

**ДУГМЕ ПРОГРАМАТОРА:** за постављање жељеног програма (види “Табелу програма”).

Тастери и лампице **ОПЦИЈА:** за избор опција на располагању. Контролна лампица која одговара одабраној опцији остаће упаљена.

Тастер **ТЕМПЕРАТУРА:** за задавање температуре или прање на хладно (погледајте „Персонализације“).

Тастер **ВРЕМЕ СУШЕЊА:** притисните да бисте изабрали жељено време сушења; изабрано време сушења се читава на лампицама поред.

Тастер **НИВОИ СУШЕЊА:** притисните да бисте изабрали жељени ниво сушења; изабрани ниво сушења се читава на лампицама поред.

**ЛАМПИЦЕ ЗА НАПРЕДОВАЊЕ ЦИКЛУСА:** за праћење статуса напредовања програма прања. Упаљена контролна лампица показује фазу у току.

Контролна лампица **ВРАТА БЛОКИРАНА:** за обавештавање да ли се врата могу отворити (погледајте страну поред).

Тастер и лампица **START/PAUSE:** за покретање или моментално прекидање програма.

**НАПОМЕНА:** За покретање паузе прања које је у току притисните овај тастер, одговарајућа контролна лампица ће треперити наранџастом бојом а лампица фазе у току ће светлети константно. Када се контролна лампица **БЛОКАДА ВРАТА** угаси, врата је могуће отворити (сачекајте око 3 минута). За повратак прања на део у којем је прекинуто притиснути поново овај тастер.

### Стање приправности

Ова машина за прање испуњава све нове стандарде везане за уштеду електричне енергије и опремљена је системом за аутоматско гашење (приправност) који се активира након око 30 минута у случају да се машина не користи. Накратко притисните тастер **ON/OFF** и машина ће се поново активирати.





Потрошња када је машина искључена: 0,5 W  
Потрошња када је машина укључена: 8 W

## Контролне лампице

Контролне лампице пружају важне информације. Ево шта оне значе:

### Контролне лампице фазе у току

По избору и покретању жељеног циклуса прања, лампице ће се прогресивно палити указујући на статус напредовања:

Прање	
Испирање	
Центрифуга/Избацивање воде	
Сушење	
Крај прања	<b>END</b>

### Тастери опција и одговарајуће контролне лампице

Избором опције одговарајућа лампица ће се упалити. Ако одабрана опција није компатибилна са задатим програмом, одговарајућа лампица ће треперити, а опција се неће активирати.

Ако одабрана опција није компатибилна с претходно постављеном опцијом, некомпатибилност ће бити означена трептањем сигналног светла и звучним сигналом (3 бип) и активираће се само друга опција, а сигнално светло активираних опција ће засветлети.

## Покретање програма

### Брзо програмирање

#### 1. УБАЦИТИ ВЕШ У МАШИНУ.

Отворити врата. Убаците веш у машину водећи рачуна да не премашите количину веша означену у табели програма на наредној страници.

#### 2. СИПАТИ ДЕТЕРЦЕНТ.

Извући фиоку и сипати детерцент у одговарајуће фиоке, као што је објашњено у поглављу „Детерценти и веш“.

#### 3. ЗАТВОРИТИ ВРАТА.

4. Притиснути тастер Push&Wash+Dry за укључивање програма.

### Уобичајено програмирање

1. Укључите машину притиском на тастер ON/OFF. Све контролне лампице ће се укључити на неколико секунди, затим ће се угасити а наставиће да пулсира лампица START/PAUSE.

2. Убаците рубље и затворите врата.

### Контролна лампица за блокирана врата

Упаљена лампица указује да су врата блокирана како би се спречило отварање; да би се отворила врата, лампица треба бити угашена (сачекајте око 3 минута). За отварање врата током текућег циклуса притисните тастер START/PAUSE; ако је лампица ВРАТА БЛОКИРАНА угашена, биће могуће отворити врата.

3. Помоћу дугмета ПРОГРАМИ одаберите жељени програм.

4. Подесите температуру прања (*погледајте „Персонализације“*).


5. По потреби подесите циклус сушења (*погледајте „Персонализације“*).

6. Сипајте детерцент и адитиве (*погледајте „Детерценти и веш“*).

7. Изаберите жељене опције.

8. Покрените програм притиском на тастер START/PAUSE и одговарајућа лампица ће остати да светли константно зеленом бојом.

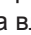
За поништавање задатог циклуса укључите паузу машине притиском на тастер START/PAUSE и одаберите нови циклус.

9. По завршетку програма упалиће се лампица **END**. Када се лампица ВРАТА БЛОКИРАНА  угаси, врата је могуће отворити (сачекајте око 3 минута). Извучите веш и оставите врата одшкринута да би се осушио бувањ. Угасите машину притиском на тастер ON/OFF.


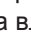
# Програми

SR

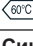
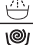

## Push&Wash+Dry

Ова функција омогућава да се покрене аутоматски циклус прања и кад је машина искључена, а да није претходно потребно притиснути дугме ON/OFF или, након укључивања машине, без притискања неког другог дугмета и/или ручице (у супротном ће програм Push&Wash+Dry бити онемогућен). За покретање циклуса Push&Wash+Dry држати притиснутим дугме на 2 секунде. Укључено сигнално светло означава да је циклус покренут. Циклус прања идеалан је за памучну одећу и синтетику на температури прања од 30° и максималном брзином центрифуге од 1000 обртаја у минути. Током сушења се постиже максимална температура од око 60°C. На крају програма је преостала влажност једнака нивоу “”. Препоручена макс. тежина 2,5 кг. (Трајање циклуса 210’).

### Како функционише?

1. А. Ставите веш (памучни и/или синтетику) и затворите врата.
2. Додајте детерџент и/или адитиве.
3. Ц. Покрените програм држећи притиснутим на 2 секунде дугме Push&Wash+Dry. Засветлиће одговарајуће сигнално светло зелене боје и врата ће се закључати (упаљен симбол закључаних врата).  
НАПОМЕНА: Покретање програма притиском на дугме Push&Wash+Dry активира аутоматски циклус прања препоручен за памук и синтетику који се не може прилагодити.
4. Аутоматски програм може да се користи само за прање без сушења. Након притиска на дугме Push&Wash+Dry, притисните дугме за сушење , икона сушења на нивоу “” се искључује. Макс. тежина само за прање је 3,5 кг. (Трајање циклуса 50’). Није могуће додатно прилагодити програм.  
За отварање врата док траје аутоматски циклус, притиснути тастер START/PAUSE; ако симбол закључаних врата не светли, врата се могу отворити искључиво у току фазе прања. Поново притисните тастер START/PAUSE како би се програм покренуо са места где је прекинут.
5. На крају програма појавиће се сигнално светло END.

## Табела програма

Програми	Опис програма	Макс. темп. (°C)	Макс. брзина (обртаји у минути)	Сушење	Максимално оптерећење за сушење (Kg)	Детерџенти				Максимално оптерећење за прање (Kg)	Трајање циклуса прања
						Претпрање	Прање	Омекшивач	Бељење		
<b>Специјални</b>											
1	Спортска одећа	30°	600	●	3	-	●	●	-	3,5	55'
2	Тамна одећа	30°	800	●	2,5	-	●	●	-	4	70'
3	Уклањање непријатног мириса (Памук)	60°	1000	●	3,5	-	●	●	-	3,5	110'
3	Уклањање непријатног мириса (Синтетика)	40°	1000	●	3	-	●	●	-	3,5	100'
4	Осетљива одећа	30°	0	●	1	-	●	●	-	1	80'
5	Вуна: за вуну, кашмир, итд.	40°	800	●	1,5	-	●	●	-	1,5	70'
6	Брзо прање 30'	30°	800	●	3	-	●	●	-	3	30'
<b>Стандард</b>											
7	Памук 90° + претпрање: веома задрљана бела одећа.	90°	1400	●	5	●	●	●	-	7	170'
8	 Памук стандард 60° (1-2): веома задрљана јака бела одећа и одећа у боји.	60° (Max. 90°)	1400	●	5	-	●	●	-	7	170'
9	Синтетика: веома задрљана јака одећа у боји.	60°	800	●	3	-	●	●	-	3,5	110'
10	Одећа у боји	40°	1400	●	5	-	●	●	-	7	100'
11	Еко Памук 20°: мало задрљана бела одећа и осетљива одећа у боји.	20°	1400	●	5	-	●	●	-	7	170'
12	Еко синтетика	20°	800	●	5	-	●	●	-	7	120'
<b>Аутоматски</b>											
13	Прање и сушење 45'	30°	1400	●	1	-	●	●	-	1	45'
14	AirFresh	-	-	●	1,5	-	-	-	-	-	30'
<b>Делимични</b>											
	Испирање/бељење	-	1400	●	5	-	-	●	●	7	50'
	Центрифуга + Избацивање воде	-	1400	●	5	-	-	-	-	7	10'

Трајање циклуса приказано на екрану или наведено у упутству је процена заснована на стандардним условима. Стварно време може да зависи од више бројних фактора, као што су температура и притисак воде на улазу, температура околине, количина детерџента, количина и тип рубља, уравнотеженост рубља, додатне изабране опције.

За све Тест институте:

- 1) Контролни програм према регулација EN 50229: задајте програм 8 са температуром од 60°C.
- 2) Дуги програм за памук: задајте програм 8 са температуром од 40°C.

# Персонализације

## Подешавање температуре

Окретањем дугмета **ТЕМПЕРАТУРА** подешава се температура прања (погледајте *Табелу програма*).

Температура се може смањити све до хладног прања . Машина аутоматски спречава задавање температуре веће од предвиђеног максимума за сваки програм.

! Изузетак: ако се одабере програм 8, температура може да се подеси на 90°.

## Подешавање циклуса сушења

Постоје две врсте сушења, по **времену** и по **нивоу**.

Притиском на **ВРЕМЕ СУШЕЊА** се подешава жељено трајање сушења: **40' - 90' - 120' - 150' - 180'**. Првим притиском тастера изабрано време ће бити минимално дозвољено за подешени програм. Када машина започне фазу сушења, накнадним притиском на тастер **ВРЕМЕ СУШЕЊА** могуће је смањити претходно постављено време сушења. Лампице показују новоизабрано време сушења, а у преостало време сушења ће се урачунати већ потрошено време.

Притиском на **НИВОИ СУШЕЊА** се подешава: **Орман** : прилагођено за слагање веша у орман без пеглања.

**Простирање** : идеално за веш ком није потребно сушење до краја.

**Пеглање** : мало влажан веш, лак за пеглање.

У изузетним случајевима, када тежина рубља које треба опрати и осушити превазилази дозвољени максимум, оперите га, и након завршетка програма, поделите и вратите један део у бубањ. У овом случају треба се придржавати упутстава **Само сушење**. Исте радње поновити за остатак терета. Након сушења потребно је увек сачекати да се рубље охлади.

**Напомена:** Ако су све лампице које се односе на сушење угашене, машина **неће** обавити сушење.

## Само сушење

Притисните дугме да се обави само сушење.

Након што изаберете жељени програм компатибилан са рубљем које треба третирати, притисните да бисте искључили фазу прања и сушење ће се активирати на максималном нивоу који се очекује за одабрани програм. Може се променити и подесити ниво или трајање времена сушења притиском на тастере сушења , . (Није компатибилно са програмима 13 и 14).

## Оперите опције

Различите предвиђене функције прања омогућавају жељену чистоћу и белину.

За активирање опција:

1. Притисните тастер који одговара жељеној опцији;
2. Одговарајућа лампица се пали и показује да је функција активна.

Напомена:

- Ако одабрана опција није компатибилна са задатим програмом, одговарајућа лампица ће треперити, а опција се неће активирати.
- Ако одабрана опција није компатибилна с претходно постављеном опцијом, некомпатибилност ће бити означена трептањем сигналног светла и звучним сигналом (3 бип) и активираће се само друга опција, а сигнално светло активирани опције ће засветлети.

## Уклањање флека

Ова опција омогућује да се одабере врста флека тако да се циклус оптимално прилагоди за уклањање флека.

Врста флека:

- **Флеке од хране**, на пример од хране и пића.
- **Флеке настале за време рада**, на пример од уља и мастила.
- **Флеке настале напољу**, на пример од блата и траве.

! Време трајања циклуса прања варира у зависности од врсте одабране флека.

Смањите брзину центрифуге.

## Додатно испирање

Избором ове функције повећава се ефикасност испирања и осигурава се максимално уклањање детерџента. Корисно је за нарочито осетљиву кожу.

Табела времена сушења (вредности смернице)

Врста тканине	Врста пуњења	Макс. пуњење (кг)	Орман	Простирање	Пеглање
Памук	Одећа различитих величина, фротирски пешкири	5	250	210	190
Синтетика	Чаршави, мајице, пиџаме, чарапе итд.	3	180	130	115
Вуна	Плетиво, пуловери итд.	1,5	155	135	115

# Детерџенти и веш

SR

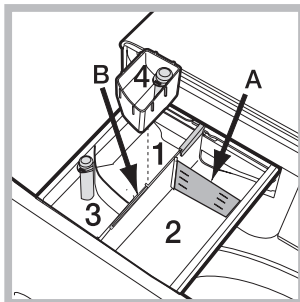
## Посуда за детерџент

Добар резултат прања зависи чак и од исправног дозирања детерџента: повећаном дозом прање није ефикасније а доприноси се стварању наслага на унутрашњим деловима машине и загађењу животне средине.

! Користите детерџент у праху за бело памучно рубље и за претпрање или за прање рубља на температури већој од 60°C.

! Пратите упутства на паковању детерџента.

! Не користите детерџенте за ручно прање, пошто стварају много пене.



Извуците посуду за детерџенте и сипајте детерџент или адитив прању на следећи начин

### кадица 1: Детерџент за претпрање (у праху)

Пре сипања детерџента проверите да није убачена додатна кадица 4.

### кадица 2: Детерџент за прање (у праху или течан)


У случају да користите течан детерџент, препоручује се коришћење приложеног зида **A** за исправно дозирање. За употребу детерџента у праху користите зид у отвору **B**.

### кадица 3: Адитиви (омекшивач, итд.)

Количина омекшивача не сме премашити ниво "max" означен на средишњем делу.

### додатна кадица 4: Избелјивач

## Циклус белјења

Ставити додатну посуду **4**, која је испоручена, у преграду **1**. Количина варикине не сме премашити ниво "max" означен на средишњем делу. За белјење сипати варикину у додатну посуду **4** и поставити програм .

! Традиционална варикина користи се за јаке беле тканине, блага варикина се користи за тканине у боји, синтетичку и вуну.

## Припрема веша

- Веш поделите према:
  - врсти тканине/ симболу на етикети.
  - бојама: одвојите шарени од белог веша.
- Испразните џепове и проверите дугмад.
- Не прелазите наведене вредности, које се односе на суво рубље: погледајте „Табела програма“.

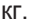
### Колико је тежак веш?

- 1 чаршав 400-500 гр.
- 1 јастучница 150-200 гр.
- 1 столњак 400-500 гр.
- 1 баде-мантил 900-1200 гр.
- 1 пешкир 150-250 гр.

## Посебни програми

**Спортска одећа** (програм **1**) предвиђен је за прање спортске одеће (тренерке, чарапе, итд.) која није много прљава; за добијање бољег резултата препоручујемо да се не премаше максимални капацитет означен у табели „Табела програма“. Препоручујемо да користите течни детерџент и то једну дозу за полунапуњену веш машину.

**Тамна одећа:** Користите програм **2** да бисте прали одећу тамне боје. Програм је намењен очувању тамне боје током времена. За најбоље резултате се препоручује коришћење течног детерџента, по могућству за прање тамне одеће.

Одаберите функцију сушења и на крају циклуса прања аутоматски ће се извршити деликатно сушење које чува боју ваше одеће. На екрану ће се појавити ознака . Макс. капацитет: 2,5 кг.

**Уклањање непријатног мириса:** користити програм **3** за прање одеће ради отклањања лошег мириса (на пример, дим, зној, мирис пржене хране). Програм је предвиђен за отклањање лошег мириса и штити влакна тканине. Препоручујемо да се на 40° пере синтетика или одећа од мешаних тканина, а на 60° одећа од јаког памука.

**Осетљива одећа:** користити програм **4** за прање веома осетљивих комада одеће. Препоручујемо да преврнете одећу пре прања. За бољи резултат препоручује се употреба течног детерџента за осетљиву одећу.

Избором функције сушења искључиво на време, на крају прања се обавља посебно нежно сушење захваљујући нежним покретима и ваздуху одговарајуће температуре.

Препоручена времена:

- 1 кг одеће од синтетике --> 150 мин
- 1 кг одеће од синтетике и памука --> 180 мин
- 1 кг одеће од памука --> 180 мин

Степен сушења зависи од количине веша и састава материјала.

**Вуна:** Циклус прања „Вуна“ ове машине је тестиран и одобрен од компаније Woolmark за прање вунене одеће класифициране као одећа „која може да се пере ручно“, а прање се обавља следећи упутства назначена на етикети одеће и упутства произвођача овог уређаја. (M1126)



**Брзо прање 30'** (програм **6**) овај циклус предвиђен је за прање мало прљавог веша на 30° (осим вуне и свиле) до укупно 3 кг и у кратком времену: траје само 30 минута и тако штеди струју и време.

**Одећа у боји:** Употребљавајте циклус **10** за прање рубља светле боје. Програм је намењен очувању јаркости боје током времена.

**Еко Памук 20°** (програм **11**) идеалан за прљав памучни веш. Добре перформансе, такође са хладном водом, упоредне са прањем на 40°, гарантоване су механичком радњом која функционише варирањем брзине поновљеним и приближеним ударцима.

**Еко Синтетика** (програм **12**) мешовит је идеалан за умерено прљав мешовит веш (памучни и синтетички). Добре перформансе, такође са хладном водом гарантоване су механичком радњом која функционише варирањем брзине средњим и одређеним интервалима.

**Прање и сушење 45'** (програм **13**): Предвиђено је за прање и сушење мало запрљаног веша за кратко време. Ако изаберете овај циклус, могуће је прати и осушити до 1 кг веша за само 45 минута. Да бисте добили најбоље резултате, користите течан детерџент; унапред третирајте манжетне, оковратнике и мрље.

**AirFresh** (програм **14**) идеалан циклус за освежење и уклањање 30' неугодних мириса из одеће од памука и синтетике (макс. 1,5 кг), посебно дувана, без фазе прања.

Може се догодити да машина не ради. Пре позивања Техничке службе (*погледајте „Техничка служба“*), проверите да се не ради о проблему лако решивом уз помоћ следећег списка.

## Неправилности:

**Машина се не укључује.**

**Циклус прања не почиње.**

**Машина не убацује воду (лампица прве фазе прања трепће брзо).**

**Машина наизменично прима и испушта воду.**

**Машина не испушта воду или не центрифугира.**

**Машина јако вибрира током центрифуге.**

**Машина губи воду.**

**Лампице „опција“ и лампица „START/PAUSE“ трепере, а једна од лампица „фазе у току“ и „блокаде врата“ се пали и остаје упаљена.**

**Настаје много пене.**

**Не активира се Push&Wash+Dry.**

**Машина не суши.**

## Могући узроци/Решење:

- Утикач није увучен у утичницу или није увучен довољно да би имао контакт.
- У кући нема струје.

- Врата нису добро затворена.
- Дугме ON/OFF није притиснуто.
- Дугме START/PAUSE није притиснуто.
- Славина за воду није отворена.

- Црево за довод воде није повезано на славину.
- Црево је савијено.
- Славина за воду није отворена.
- У кући нема воде.
- Притисак није задовољавајући.
- Дугме START/PAUSE није притиснуто.

- Одводно црево није постављено између 65 и 100 цм од земље (*погледајте „Постављање“*).
- Крај одводног црева је потопљен у воду (*погледајте „Постављање“*).
- Цев у зиду пропушта ваздух.

Ако се и после ових провера проблем не реши, затворите славину за воду, искључите машину и позовите Техничку службу. Ако се стан налази на последњим спратовима зграде, могуће је да се јавља феномен сифона, због чега машина стално убацује и избацује воду. Да бисте избегли ову неправилност, у продаји се налазе одговарајући анти-сифон вентили.

- Програмом није предвиђено избацивање воде: Са одређеним програмима потребно је ручно избацити воду.
- Одводно црево је савијено (*погледајте „Постављање“*).
- Испусни вод је зачепљен.

- Бубањ у тренутку инсталације није био правилно деблокиран (*погледајте „Постављање“*).
- Машина не стоји равно (*погледајте „Постављање“*).
- Машина је притиснута између намештаја и зида (*погледајте „Постављање“*).

- Црево за довод воде није добро затегнуто (*погледајте „Постављање“*).
- Фиока за детерџенте је блокирана (за чишћење *погледајте „Одржавање и нега“*).
- Одводно црево није добро причвршћено (*погледајте „Постављање“*).

- Искључите машину и извуците утикач из утичнице, сачекајте око 1 минут а затим је поново укључите.  
Уколико неправилност остане, позовите Техничку службу.

- Детерџент није одређен за машинско прање (треба да носи натпис „за машинско прање“, „за ручно и машинско прање“, или слично).
- Претерано дозирање.

- Након укључивања машине притиснуто је неко друго дугме, а не Push & Wash. Искључите машину и притиснути дугме Push&Wash+Dry.

- Утикач није увучен у утичницу или није увучен довољно да би имао контакт.
- У кући нема струје.
- Врата нису добро затворена.
- Све лампице које се односе на сушење су угашене.

# Техничка служба

---

SR

## Пре него што позовете Техничку службу:

- Проверите да ли сами можете да отклоните неправилност (*погледајте „Неправилности и решења“*);
- Поново покрените програм да бисте проверили да ли је неправилност уклоњена;
- У супротном, обратите се центру за техничку подршку.


! Никада се не обраћајте неовлашћеним сервисерима.

## Јавите:

- врсту неправилности;
- модел машине (Mod.);
- серијски број (S/N).

Ове информације се налазе на плочици постављеној на задњем делу машине и у предњем делу отвора.



!  Dieses Symbol erinnert Sie daran, das vorliegende Handbuch zu lesen.

DE

DE

Deutsch

**XWDA 751480**

## INHALTSVERZEICHNIS

### Installation, 50-51

Auspacken und Aufstellen  
Wasser- und Elektroanschlüsse  
Erster Waschgang  
Technische Daten

### Reinigung und Pflege, 52

Abstellen der Wasser- und Stromversorgung  
Reinigung des Gerätes  
Reinigung der Waschmittelschublade  
Pflege der Gerätetür und Trommel  
Reinigung der Pumpe  
Kontrolle des Wasserzulaufschlauchs

### Vorsichtsmaßnahmen und Hinweise, 53

Allgemeine Sicherheit  
System zur Auswuchtung der Wäscheladung  
Entsorgung

### Beschreibung des Waschtrockner und Starten eines Waschprogramms, 54-55

Bedienblende  
Kontrollleuchten  
Starten eines Waschprogramms

### Waschprogramme, 56

Push&Wash+Dry  
Programmtabelle

### Personalisierungen, 57

Temperatureinstellung  
Trocknungsprogramm einstellen  
Waschmöglichkeiten

### Waschmittel und Wäsche, 58

Waschmittelschublade  
Bleichen  
Vorsortieren der Wäsche  
Besondere Wäscheteile

### Störungen und Abhilfe, 59

### Kundendienst, 60

# Aufstellung

DE

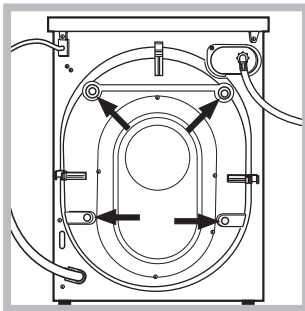
! Es ist äußerst wichtig, diese Bedienungsanleitung sorgfältig aufzubewahren, um sie jederzeit zu Rate ziehen zu können. Sorgen Sie dafür, dass sie im Falle eines Umzugs oder einer Übergabe an einen anderen Benutzer das Gerät stets begleitet, damit auch der neue Inhaber die Möglichkeit hat, diese zu Rate zu ziehen.

! Lesen Sie bitte folgende Hinweise aufmerksam durch: sie liefern wichtige Informationen hinsichtlich der Installation, des Gebrauchs und der Sicherheit.

## Auspacken und Aufstellen

### Auspacken

1. Gerät auspacken.  
2. Sicherstellen, dass der Waschvollautomat keine Transportschäden erlitten hat. Schließen Sie das Gerät im Falle einer Beschädigung bitte nicht an und kontaktieren Sie Ihren Händler.



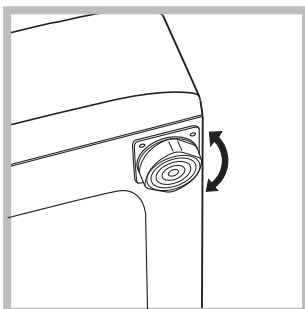
3. Die 4 Transportschutzschrauben ausschrauben und das an der Rückwand befindliche Gummiteil und das entsprechende Abstandsstück abnehmen (siehe Abbildung).

4. Die Löcher mittels der mitgelieferten Kunststoffstöpsel schließen.  
5. Sämtliche Teile aufbewahren: Sollte der Waschvollautomat erneut transportiert werden müssen, müssen diese Teile wieder eingesetzt werden.

! Verpackungsmaterial ist kein Spielzeug für Kinder.

### Nivellierung

1. Der Waschvollautomat muss auf einem ebenen, festen Untergrund aufgestellt werden, ohne diesen an Wände, Möbelteile oder ähnliches anzulehnen.



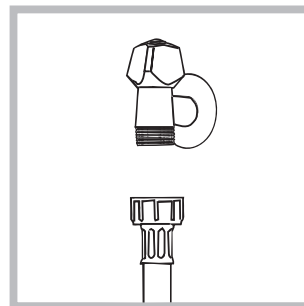
2. Sollte der Boden nicht perfekt eben sein, müssen die Unebenheiten durch An- bzw. Ausdrehen der vorderen Stellfüße ausgeglichen werden (siehe Abbildung), der auf der Arbeitsfläche zu ermittelnde Neigungsgrad darf 2°

nicht überschreiten.

Eine präzise Nivellierung verleiht dem Gerät die erforderliche Stabilität, durch die Vibrationen, Betriebsgeräusche und ein Verrücken des Gerätes vermieden werden. Bei Teppichböden müssen die Stellfüße so reguliert werden, dass ein ausreichender Freiraum zur Belüftung unter dem Waschvollautomaten gewährleistet ist.

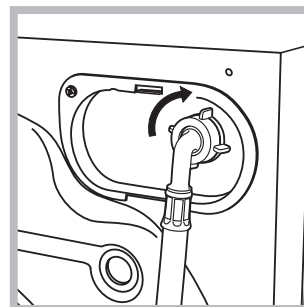
## Wasser- und Elektroanschlüsse

### Anschluss des Zulaufschlauches



1. Schrauben Sie den Wasserschlauch an einen Kaltwasserhahn mit  $\frac{3}{4}$ -Zoll-Gewindeanschluss an (siehe Abbildung).

Lassen Sie das Wasser vor dem Anschluss so lange auslaufen, bis klares Wasser austritt.



2. Das andere Ende des Schlauches an den oben rechts am Rückteil des Waschvollautomaten befindlichen Wasseranschluss anschließen (siehe Abbildung).

3. Der Schlauch darf nicht eingeklemmt oder abgeknickt werden.

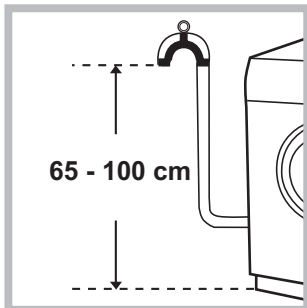
! Der Wasserdruck muss innerhalb der Werte liegen, die in der Tabelle der Technischen Daten angegeben sind (siehe nebenstehende Seite).

! Sollte der Zulaufschlauch nicht lang genug sein, dann wenden Sie sich bitte an einen Fachhändler oder an einen autorisierten Fachmann.

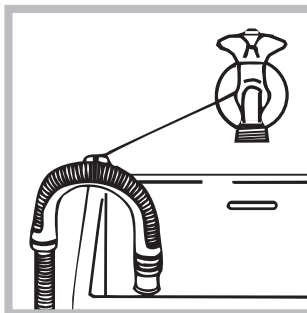
! Verwenden Sie niemals bereits gebrauchte Schläuche.

! Verwenden Sie die Schläuche, die mit dem Gerät geliefert wurden.

## Anschluss des Ablaufschlauches



Schließen Sie den Ablaufschlauch, ohne ihn dabei zu knicken, an eine Ablaufleitung, oder an einen in der Wand, in einer Höhe von 65cm bis 100cm an;



oder hängen Sie diesen in ein Becken oder eine Wanne ein; befestigen Sie den Schlauch in diesem Falle mittels der mitgelieferten Führung an dem Wasserhahn (siehe Abbildung). Das freie Ablaufschlauchende darf

nicht unter Wasser bleiben.

! Verlängerungsschläuche sollten nicht eingesetzt werden, sollte dies jedoch absolut unvermeidlich sein, muss die Verlängerung denselben Durchmesser des Originalschlauchs aufweisen und darf eine Länge von 150 cm nicht überschreiten.

## Elektroanschluss

Vor Einfügen des Netzsteckers in die Steckdose ist sicherzustellen, dass:

- die Steckdose über eine normgerechte Erdung verfügt;
- die Steckdose die in den Technischen Daten angegebenen Höchstlast des Gerätes trägt (siehe nebenstehende Tabelle);
- die Stromspannung den in den Technischen Daten angegebenen Werten entspricht (siehe nebenstehende Tabelle);
- die Steckdose mit dem Netzstecker des Waschtrockner kompatibel ist. Andernfalls muss der Netzstecker (oder die Steckdose) ersetzt werden.

! Der Waschvollautomat darf nicht im Freien installiert werden, auch nicht, wenn es sich um einen geschützten Platz handelt. Es ist gefährlich, das Gerät Gewittern und Unwettern auszusetzen.

! Die Steckdose muß jederzeit zugänglich sein.

! Verwenden Sie bitte keine Verlängerungen oder Mehrfachstecker.

! Das Netzkabel darf nicht gebogen bzw. eingeklemmt werden.

! Das Versorgungskabel darf nur durch autorisierte Fachkräfte ausgetauscht werden.

Achtung! Der Hersteller übernimmt keinerlei Haftung, sollten diese Vorschriften nicht genau beachtet werden.

## Erster Waschgang

Lassen Sie nach der Installation bzw. vor erstmaligem Gebrauch erst einen Waschgang (mit Waschmittel) ohne Wäsche durchlaufen. Stellen Sie hierzu das Waschprogramm „AUTO REINIGEN“ ein (siehe „Reinigung des Gerätes“).

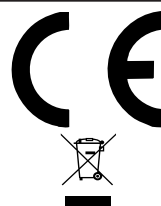
### Technische Daten

<b>Modell</b>	XWDA 751480
<b>Abmessungen</b>	Breite 59,5 cm Höhe 85 cm Tiefe 54 cm
<b>Fassungsvermögen</b>	1 bis 7 kg für Waschzyklus 1 bis 5 kg für Trockenzyklus
<b>Elektroanschlüsse</b>	siehe das am Gerät befindliche Typenschild
<b>Wasseranschlüsse</b>	Höchstdruck 1 MPa (10 bar) Mindestdruck 0,05 MPa (0,5 bar) Trommelvolumen 52 Liter

**Schleudertouren** bis zu 1400 U/min.

**Prüfprogramme gemäß EN 50229**

**Waschen:** programm 8; Temperatur 60°C; bei einer Lademenge von 7 kg.  
**Trocknen:** die kleinere Ladung (2kg) muss mit der Trockenstufe "☁" getrocknet werden und soll aus 2 Bettlaken, 1 Kissenbezügen und 2 Handtücher bestehen; die Ladung mit der restlichen Wäsche muss mit der Trockenstufe "☁☁" getrocknet werden.



Dieses Gerät entspricht den folgenden EG-Richtlinien:

- 2004/108/CE (elektromagnetische Verträglichkeit)
- 2012/19/EU - WEEE
- 2006/95/CE (Niederspannung)

# Reinigung und Pflege

DE

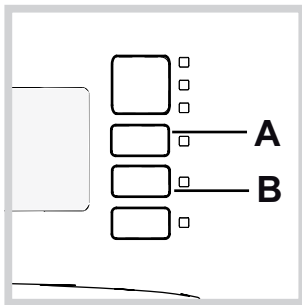
## Abstellen der Wasser- und Stromversorgung

- Drehen Sie den Wasserhahn nach jedem Waschvorgang zu. Hierdurch wird der Verschleiß der Wasseranlage verringert und Wasserlecks vorgebeugt.
- Ziehen Sie den Netzstecker aus der Steckdose, bevor Sie Ihren Waschtrockner reinigen.

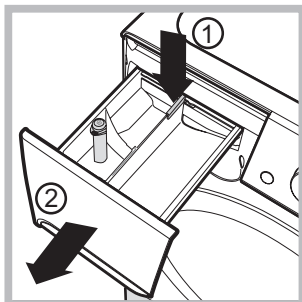
## Reinigung des Gerätes

- Die Gehäuseteile und die Teile aus Gummi können mit einem mit warmer Spülmittellauge angefeuchteten Tuch gereinigt werden. Vermeiden Sie den Einsatz von Löse- und Scheuermitteln.

- Die Waschtrockner verfügt über ein „AUTO REINIGEN“-Programm der inneren Teile, das **gänzlich ohne Wäsche** durchgeführt werden muss. Als Hilfsmittel können bei diesem Waschgang Waschmittel (10 % von der für gering verschmutzte Kleidungsstücke empfohlenen Menge) oder spezifische Zusatzstoffe für die Reinigung von Waschtrocknern verwendet werden. Es wird empfohlen, das Reinigungsprogramm alle 40 Waschgänge durchzuführen. Um das Programm zu aktivieren, drücken Sie fünf Sekunden lang gleichzeitig die Tasten **A** und **B** (siehe abb.). Das Programm startet automatisch und dauert etwa 70 Minuten. Um den Zyklus anzuhalten, drücken Sie die Taste START/PAUSE.



## Reinigung der Waschmittelschublade



Drücken Sie auf den Arretierhebel (1) und ziehen Sie die Waschmittelschublade nach vorne hin heraus (2) (siehe Abbildung). Spülen Sie sie regelmäßig unter fließendem Wasser gründlich aus.

## Pflege der Gerätetür und Trommel

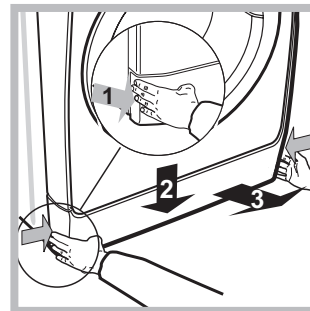
- Lassen Sie die Gerätetür stets leicht offen stehen, um die Bildung unangenehmer Gerüche zu vermeiden.

## Reinigung der Pumpe

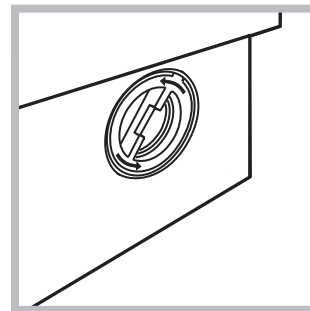
Ihr Gerät ist mit einer selbstreinigenden Pumpe ausgerüstet, eine Wartung ist demnach nicht erforderlich. Es könnte jedoch vorkommen, dass kleine Gegenstände (Münzen, Knöpfe) in die zum Schutz der Pumpe dienende Vorkammer (befindlich unter der Pumpe) fallen.

! Vergewissern Sie sich, dass der Waschgang abgeschlossen ist und ziehen Sie den Netzstecker heraus.

Zugang zur Vorkammer:



1. Nehmen Sie die Abdeckung an der Gerätefront ab, indem Sie zur Mitte hin drücken, dann drücken Sie beide Seiten nach unten und ziehen sie heraus (siehe Abbildungen).



2. Drehen Sie den Deckel gegen den Uhrzeigersinn ab (siehe Abbildung): es ist ganz normal, wenn etwas Wasser austritt.

3. Reinigen Sie das Innere gründlich;  
4. Schrauben Sie den Deckel wieder auf.  
5. Bringen Sie die Abdeckung wieder an. Stellen Sie hierbei sicher, dass die Haken in die Schlitze eingreifen, bevor Sie die Abdeckung fest andrücken.

## Kontrolle des Wasserzulaufschlauchs

Kontrollieren Sie den Zulaufschlauch mindestens einmal im Jahr. Weist er Risse bzw. Brüche auf, muss er ausgetauscht werden. Der starke Druck während des Waschprogramms könnte zu plötzlichem Platzen führen.

! Verwenden Sie niemals bereits gebrauchte Schläuche.

! Der Wäschetrockner wurde nach den strengsten internationalen Sicherheitsvorschriften entworfen und gebaut. Nachstehende Hinweise werden aus Sicherheitsgründen geliefert und sollten aufmerksam gelesen werden.

## Allgemeine Sicherheit

- Dieses Gerät wurde ausschließlich für den Einsatz im privaten Haushalt konzipiert.
- Dieses Gerät darf von Kindern ab 8 Jahren und von Personen mit eingeschränkten körperlichen, sensorischen oder geistigen Fähigkeiten oder mit unzureichender Erfahrung und Kenntnis verwendet werden, vorausgesetzt, sie werden überwacht oder sie haben eine ausreichende Einweisung in die sichere Nutzung des Geräts erhalten und haben die damit verbundenen Gefahren verstanden. Erlauben Sie Kindern nicht, mit dem Gerät zu spielen. Wartung und Reinigung dürfen nicht von unbeaufsichtigten Kindern ausgeführt werden.
  - Trocken Sie keine nicht gewaschenen Wäschestücke.
  - Wäschestücke, die mit Substanzen wie Speiseöl, Nagellackentferner, Alkohol, Benzin, Kerosin, Fleckenentfernern, Terpentin, Wachse und Stoffe zum Entfernen von Wachsen verschmutzt sind, müssen in warmem Wasser mit einer größeren Menge Waschmittel gewaschen werden, bevor Sie in den Trockner gegeben werden dürfen.
  - Gegenstände wie Schaumgummi (Latex), Duschhauben, wasserdichte Textilien, Artikel mit einer Gummiseite oder Kleidung oder Kissen mit Latexanteilen dürfen nicht in dem Wäschetrockner getrocknet werden.
  - Weichspüler oder ähnliche Produkte müssen gemäß der Anweisungen des Herstellers verwendet werden.
  - Die Endphase eines Trockenzyklus erfolgt ohne Hitze (Abkühlzyklus), damit die Wäsche nicht beschädigt wird.**ACHTUNG:** Halten Sie den Wäschetrockner nie vor Ablauf des Trockenprogramms an. Nehmen Sie in diesem Fall die Wäsche schnell aus dem Gerät heraus und hängen Sie sie sofort auf, damit sie abkühlen kann.
- Berühren Sie das Gerät nicht, wenn Sie barfuß sind, und auch nicht mit nassen oder feuchten Händen oder Füßen.
- Ziehen Sie den Gerätestecker nicht am Kabel aus der Steckdose, sondern nur am Netzstecker selbst.
- Öffnen Sie die Waschmittelschublade nicht, wenn das Gerät in Betrieb ist.
- Berühren Sie nicht das Ablaufwasser, es könnte sehr heiß sein.
- Öffnen Sie die Gerätetür nicht mit Gewalt: Der Sicherheits-Schließmechanismus könnte hierdurch beschädigt werden.
- Bei etwaigen Störungen versuchen Sie bitte nicht, Innenteile selbst zu reparieren.
- Halten Sie Kinder stets von dem in Betrieb befindlichen Gerät fern.
- Während des Waschgangs kann die Gerätetür sehr heiß werden.
- Muss das Gerät versetzt werden, sollten hierfür zwei oder drei Personen verfügbar sein. Versetzen Sie es niemals allein, das Gerät ist äußerst schwer.

- Bevor Sie die Wäsche einfüllen, stellen Sie bitte sicher, dass die Wäschetrommel leer ist.
- Während des Trocknens kann die Gerätetür heiß werden.
- Trocknen Sie keine Wäsche, die in brennbaren Lösemitteln (wie Trielin) gewaschen wurde.
- Trocknen Sie weder Schaumgummi noch ähnliche Elastomer bzw. Gummimaterialien.
- Vergewissern Sie sich, dass der Wasserhahn während des Trocknens auf ist.
- Leeren Sie komplett alle Taschen (Feuerzeuge, Streichhölzer, etc.).
- Kinder unter 3 Jahren müssen von dem Wäschetrockner ferngehalten werden, wenn sie nicht ständig beaufsichtigt werden.

## System zur Auswuchtung der Wäscheladung

Um zu starke Vibrationen, die durch Unwucht beim Schleudern entstehen, zu vermeiden, sorgt das Gerät für eine gleichmäßige Verteilung der Wäscheladung durch Rotationen der Trommel. Sollte die Wäscheladung nach Ablauf mehrerer Versuche immer noch nicht korrekt verteilt sein, schleudert das Gerät die Wäsche bei einer niedrigeren Geschwindigkeit als die der vorgesehenen Schleudergeschwindigkeit. Sollte die Wäsche extrem ungleichmäßig verteilt sein, führt das Gerät anstelle des Schleudergangs einen Wäscheverteilungs-Zyklus durch. Um eine optimale Verteilung der Wäscheladung und somit eine korrekte Auswuchtung zu begünstigen, sollten große und kleine Wäscheteile gemischt eingefüllt werden.

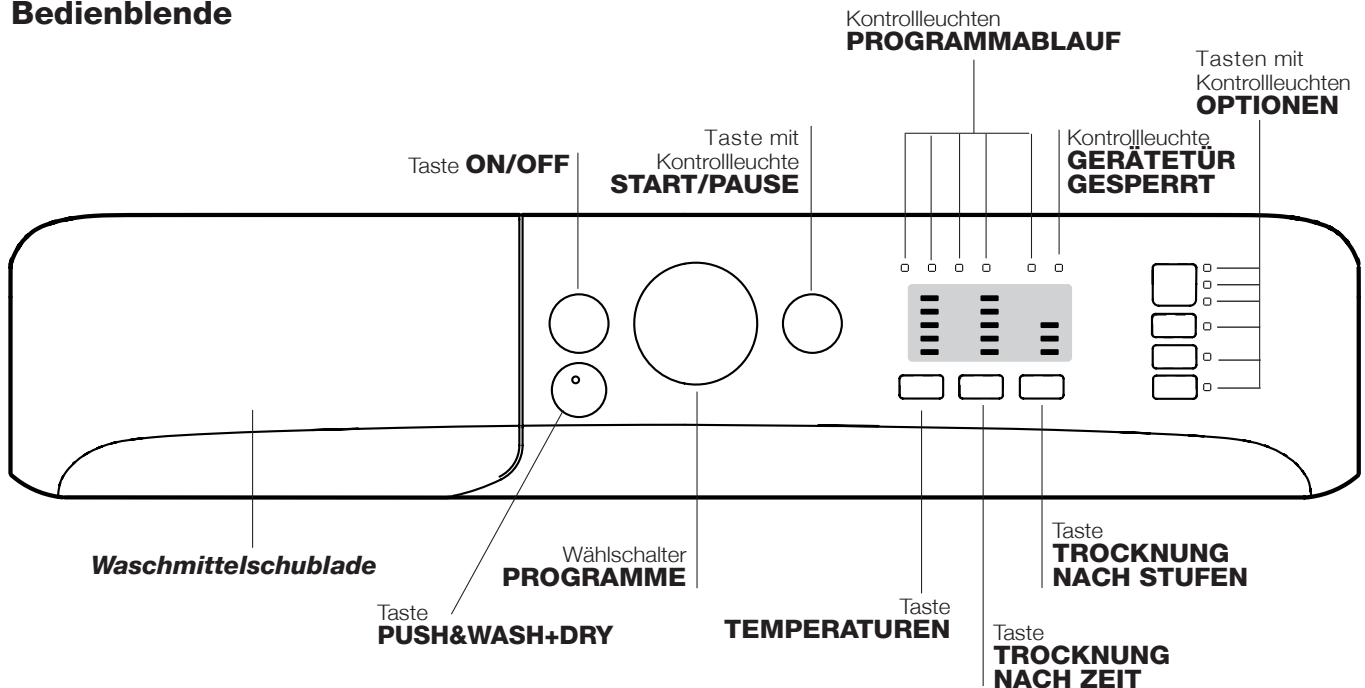
## Entsorgung

- Entsorgung des Verpackungsmaterials: Befolgen Sie die lokalen Vorschriften, Verpackungsmaterial kann wiederverwertet werden.
- Gemäß der Europäischen Richtlinie 2012/19/EU (WEEE) über Elektro- und Elektronik-Altgeräte dürfen Elektrohaushalts-Altgeräte nicht über den herkömmlichen Haushaltsmüllkreislauf entsorgt werden. Altgeräte müssen separat gesammelt werden, um die Wiederverwertung und das Recycling der beinhaltenen Materialien zu optimieren und die Einflüsse auf die Umwelt und die Gesundheit zu reduzieren. Das Symbol „durchgestrichene Mülltonne“ auf jedem Produkt erinnert Sie an Ihre Verpflichtung, dass Elektrohaushaltsgeräte gesondert entsorgt werden müssen. Endverbraucher können sich an Abfallämter der Gemeinden wenden, um mehr Informationen über die korrekte Entsorgung ihrer Elektrohaushaltsgeräte zu erhalten.

# Beschreibung des Waschtrockner und Starten eines Waschprogramms

DE

## Bedienblende



**Waschmittelschublade:** für Waschmittel und Zusätze (siehe „Waschmittel und Wäsche“).

Taste **ON/OFF:** zum Ein- und Ausschalten Ihres Waschtrockner.

Taste **PUSH&WASH+DRY:** (siehe „Waschprogramme“).

Wählschalter **PROGRAMME:** zur Wahl der Waschprogramme. Während des Programmablaufs bleibt der Schalter feststehend.

Tasten mit Kontrollleuchten **OPTIONEN:** zur Einstellung der verfügbaren Funktionen. Die der gewählten Einstellung entsprechende Kontrollleuchte bleibt eingeschaltet.

Taste **TEMPERATUREN:** zur Einstellung der Wassertemperatur oder einer Kaltwäsche (siehe „Personalisierungen“).

Taste **TROCKNUNG NACH ZEIT:** drücken Sie diese Taste, um die gewünschte Trocknungszeit einzustellen. Die ausgewählte Trocknungszeit wird über die Kontrollleuchten auf der Seite angezeigt.


Taste **TROCKNUNG NACH STUFEN:** drücken Sie diese Taste, um die gewünschte Trocknungsstufe einzustellen. Die ausgewählte Trocknungsstufe wird über die Kontrollleuchten auf der Seite angezeigt.

Kontrollleuchten **PROGRAMMABLAUF:** zur Kontrolle des Waschprogrammablaufs.

Die eingeschaltete Kontrollleuchte zeigt die laufende Programmphase an.

Kontrollleuchte **GERÄTETÜR GESPERRT:** diese Taste zeigt an, ob die Gerätetür geöffnet werden kann oder nicht (siehe Nebenseite).

Taste mit Kontrollleuchte **START/PAUSE:** mittels dieser Taste werden die Waschprogramme gestartet oder kurz unterbrochen.

**NB:** Durch Drücken dieser Taste, kann das Waschprogramm zeitweilig unterbrochen werden (Pause). Die entsprechende Kontrollleuchte schaltet auf orangefarbenes Blinklicht, die Kontrollleuchte der bestehenden Programmphase dagegen schaltet auf Dauerlicht. Sobald die Kontrollleuchte GERÄTETÜR GESPERRT  erlischt, kann die Gerätetür geöffnet werden (etwa 3 Minuten). Um das Programm an der Stelle, an der es unterbrochen wurde, wieder in Gang zu setzen, drücken Sie diese Taste erneut.

### Funktion Standby

Zur Erfüllung der neuen Richtlinien zum Energieverbrauch ist diese Waschtrockner mit einem automatischen Ausschaltsystem (Standby) ausgestattet, das nach 30 Minuten des Nichtgebrauchs in Funktion tritt. Drücken Sie kurz die Taste ON-OFF und warten Sie, bis sich die Maschine wieder einschaltet.

Verbrauch in Off-Betrieb: 0,5 W





Verbrauch in Left-On: 8 W

## Kontrollleuchten

Die Kontrollleuchten liefern wichtige Hinweise. Sie signalisieren:

### Laufende Programmphase

Wurde das Waschprogramm gewählt und gestartet, leuchten die Kontrollleuchten nach und nach auf, und zeigen so den jeweiligen Programmstand an.

Hauptwäsche	
Spülen	
Schleudern/Abpumpen	
Trockner	
Ende des Waschgangs	<b>END</b>

### Funktionstasten und entsprechende Kontrollleuchten

Nach der Wahl einer Funktion leuchtet die entsprechende Taste auf. Ist die gewählte Funktion nicht vereinbar mit dem eingestellten Programm, schaltet die entsprechende Kontrollleuchte auf Blinklicht und die Funktion wird nicht aktiviert. Ist die gewählte Funktion nicht mit einer zuvor ausgewählten vereinbar, schaltet die entsprechende Kontrollleuchte auf Blinklicht, es ertönt ein akustisches Signal (3 Signaltöne) und nur die zweite Funktion wird aktiviert (die entsprechende Kontrollleuchte schaltet sich ein).

## Starten eines Waschprogramms

### Schnellprogrammierung


- EINFÜLLEN DER WÄSCHE.** Öffnen Sie die Gerätetür. Füllen Sie die Wäsche ein. Achten Sie hierbei bitte darauf, die in der Programmtabelle (auf der nächsten Seite) angegebene Wäschemenge nicht zu überschreiten.
- DOSIERUNG DES WASCHMITTELS.** Ziehen Sie die Waschmittelschublade heraus und füllen Sie das Waschmittel in die entsprechenden Kammern (siehe „Waschmittel und Wäsche“).
- SCHLIESSEN SIE DIE GERÄTETÜR.**
- Drücken sie die taste „Push&Wash+Dry“, um das programm zu starten.

### Herkömmliche Programmierung

- Schalten Sie das Gerät über die ON/OFF-Taste ein. Sämtliche Kontrollleuchten leuchten für einige Sekunden auf, dann bleiben die Kontrollleuchten der Einstellungen des ausgewählten Programms eingeschaltet und die Kontrollleuchte START/PAUSE schaltet auf Blinklicht.
- Füllen Sie die Wäsche ein, und schließen Sie die Gerätetür.

### Kontrollleuchte Gerätetür gesperrt:

Ist diese Kontrollleuchte eingeschaltet, bedeutet dies, dass das Bullauge gesperrt ist; warten Sie, bis die Leuchte erlischt, um das Bullauge zu öffnen (etwa 3 Minuten). Um während eines laufenden Programms das Bullauge zu öffnen, drücken Sie die Taste START/PAUSE; ist die der GERÄTETÜR GESPERRT entsprechende Kontrollleuchte ausgeschaltet, kann das Bullauge geöffnet werden.

- Stellen Sie mittels des Wählschalters PROGRAMME das gewünschte Programm ein.
- Stellen Sie die Waschtemperatur ein (siehe „Personalisierungen“).
- Trocknungsprogramm falls erforderlich einstellen (siehe „Personalisierungen“).
- Füllen Sie Waschmittel und Zusätze ein (siehe „Waschmittel und Wäsche“).
- Wählen Sie die gewünschten Funktionen.
- Setzen Sie das Programm mit der Taste START/PAUSE in Gang. Die entsprechende Kontrollleuchte bleibt eingeschaltet (grün Dauerlicht). Um die Waschprogramm-Einstellung rückgängig zu machen, muss das Gerät auf Pause geschaltet werden. Drücken Sie hierzu die Taste START/PAUSE. Wählen Sie daraufhin das neue Programm.
- Nach Ablauf des Waschprogramms leuchtet die Kontrollleuchte **END** auf. Sobald die Kontrollleuchte GERÄTETÜR GESPERRT  erlischt, kann das Bullauge geöffnet werden (etwa 3 Minuten). Nehmen Sie die Wäsche aus der Maschine und lassen Sie die Gerätetür leicht offen stehen, damit die Trommel trocknen kann. Schalten Sie den Wäschetrockner durch Drücken der ON/OFF-Taste aus.

# Waschprogramme

DE

## Push&Wash+Dry

Mit dieser Funktion kann ein automatischer Wasch- und Trocknungszyklus auch bei ausgeschalteter Maschine gestartet werden, ohne zuerst die ON/OFF-Taste zu drücken oder ohne, nach dem Einschalten der Maschine, weitere Tasten und/oder Drehschalter zu betätigen (wird dennoch eine Taste gedrückt, wird das Programm Push&Wash+Dry deaktiviert). Zum Starten des Zyklus Push&Wash+Dry halten Sie die Taste zwei Sekunden lang gedrückt. Die eingeschaltete Kontrollleuchte zeigt an, dass der Zyklus gestartet wurde. Der Wasch- und Trocknungszyklus ist ideal für Baumwolle und Synthetik, da er mit einer Temperatur von 30° und einer maximalen Schleudergeschwindigkeit von 1.000 U/min arbeitet. Die höchste während der Trocknung erreichte Temperatur beträgt etwa 60°. Am Ende des Programms entspricht die Restfeuchtigkeit jener beim "☁". Empfohlene max. Ladung: 2,5 kg (Programmdauer 210').

### Wie funktioniert das?

1. Wäsche einfüllen (Baumwolle und/oder Synthetik) und Gerätetür schließen.
2. Waschmittel und/oder Zusätze einfüllen.
3. Das Programm starten (die Taste Push&Wash+Dry zwei Sekunden lang gedrückt halten). Die zugehörige Kontrollleuchte schaltet auf grünes Dauerlicht und die Gerätetür sperrt (Symbol GERÄTETÜR GESPERRT leuchtet). Hinweis: Der Programmstart mit der Taste Push&Wash+Dry aktiviert einen automatischen Wasch- und Trocknungszyklus für Baumwolle und Synthetik, der nicht weiter individualisiert werden kann.
4. Es besteht die Möglichkeit, das Automatikprogramm nur zum Waschen zu verwenden und die Trocknung auszuschließen. Drücken Sie nacheinander die Taste Push&Wash+Dry und die Trocknungstaste . Das Trocknungssymbol "☁" erlischt. Die max. Ladung der Funktion „nur Waschen“ beträgt 3,5 kg (Programmdauer 50'). Das Programm kann nicht weiter individualisiert werden.
- Um während eines laufenden Programms die Gerätetür zu öffnen, drücken Sie die Taste START/PAUSE; wenn das Symbol GERÄTETÜR GESPERRT erloschen ist, kann die Gerätetür nur während des Waschvorgangs geöffnet werden. Drücken Sie die Taste START/PAUSE erneut, um das Programm an der Stelle, an der es unterbrochen wurde, wieder in Gang zu setzen.
5. Nach Ablauf des Waschprogramms leuchtet die Kontrollleuchte END auf.

## Programmtabelle

Waschprogramm- name	Beschreibung des Programms	Max. Temperatur (°C)	Max. Schleuder Ge- schwindi- gkeit (U/min)	Trockner	Max. Ladung beim Trocknung- svorgang (Kg)	Waschmittel				Max. Ladung beim Waschvor- gang (Kg)	Dauer des Waschzyklus
						Vorwäsche	Hauptwä- sche	Weichspü- ler	Bleichen		
<b>Spezial</b>											
1	Sport	30°	600	●	3	-	●	●	-	3,5	55'
2	Dunkles	30°	800	●	2,5	-	●	●	-	4	70'
3	Anti-Geruch (Baumwolle)	60°	1000	●	3,5	-	●	●	-	3,5	110'
3	Anti-Geruch (Synthetik)	40°	1000	●	3	-	●	●	-	3,5	100'
4	Feine Wäsche	30°	0	●	1	-	●	●	-	1	80'
5	Wolle: wolle, Kaschmir usw.	40°	800	●	1,5	-	●	●	-	1,5	70'
6	Schnell 30'	30°	800	●	3	-	●	●	-	3	30'
<b>Standard</b>											
7	Weißes Baumwolle 90° (mit Vorwäsche): stark verschmutzte Kochwäsche.	90°	1400	●	5	●	●	●	-	7	170'
8	Standard Baumwolle 60° (1-2): stark verschmutzte Weiß- und farbechte Buntwäsche.	60° (Max. 90°)	1400	●	5	-	●	●	-	7	170'
9	Synthetik: stark verschmutzte, farbechte Buntwäsche.	60°	800	●	3	-	●	●	-	3,5	110'
10	Bunte Wäsche	40°	1400	●	5	-	●	●	-	7	100'
11	Eco Baumwolle 20°: leicht verschmutzte Weißwäsche und empfindliche Buntwäsche.	20°	1400	●	5	-	●	●	-	7	170'
12	20° Mix-Fein	20°	800	●	5	-	●	●	-	7	120'
<b>Automatik</b>											
13	Waschen&Trocknen 45'	30°	1400	●	1	-	●	●	-	1	45'
14	Auffrischen	-	-	●	1,5	-	-	-	-	-	30'
<b>Teilprogramme</b>											
	Spülen/Bleichen	-	1400	●	5	-	-	●	●	7	50'
	Schleudern + Abpumpen	-	1400	●	5	-	-	-	-	7	10'

Die auf dem Display und in der Bedienungsanleitung genannte Zyklusdauer wird ausgehend von Standardbedingungen berechnet. Die effektiv benötigte Zeit kann aufgrund zahlreicher Faktoren wie Temperatur und Druck des Zulaufwassers, Raumtemperatur, Waschmittelmenge, Art, Menge und Verteilung der Waschlading sowie der gewählten Zusatzfunktionen variieren.

Für alle Testinstitute:

- 1) Prüfprogramm gemäß EN 50229: Das Programm 8 mit einer Temperatur von 60°C einstellen.
- 2) Langes Baumwollprogramm: Programm 8 und eine Temperatur von 40°C einstellen.



## Temperatureinstellung

Durch Drücken der Taste „TEMPERATUREN“, um die Wascht Temperatur einzustellen (siehe *Programmtabelle*). Die Temperatur kann bis auf Kaltwäsche ❄ herabgesetzt werden. Der Waschvollautomat verhindert automatisch die Einstellung einer höheren Schleuderstufe, sollte diese die für das jeweilige Programm vorgeschriebene Höchstgeschwindigkeit übersteigen. **! Ausnahme:** Wird das Waschprogramm 8 eingestellt, kann die Temperatur bis auf 90° erhöht werden.

## Trocknungsprogramm einstellen

Es gibt zwei Trocknungsarten – nach **Zeit** und nach **Stufe**. Durch Drücken der Taste TROCKNUNG NACH ZEIT ☀ kann die gewünschte Trocknungsdauer eingestellt werden: **40' - 90' - 120' - 150' - 180'**.

Nach dem erstmaligen Drücken der Taste entspricht die ausgewählte Zeit der für das eingestellte Programm mindestens erforderlichen Dauer.

Sobald die Maschine mit dem Trocknungsvorgang begonnen hat, kann die zuvor eingestellte Dauer des Trocknungsvorgangs verkürzt werden, indem die Taste TROCKNUNG NACH ZEIT gedrückt wird. Die Kontrollleuchten zeigen die neue ausgewählte Trocknungszeit an, und die Restzeit des Trocknungsvorgangs gibt Aufschluss darüber, wie viel Zeit bereits vergangen ist.

Durch Drücken der Taste TROCKNUNG NACH STUFE ☀ kann die gewünschte Trocknungsstufe eingestellt werden:

**Falten** : geeignet für Kleidungsstücke, die ohne Bügeln in den Schrank geräumt werden können.

**Aufhängen** : ideal für Kleidungsstücke, die nicht komplett trocken zu sein brauchen.

**Bügeln** : noch leicht feuchte, einfach zu bügelnde Wäscheteile.

Bei Überschreitung der max. Füllmenge der Wäscheladung für waschen und trocknen in einem Programmablauf (*Programmtabelle*), aktivieren Sie zuerst das Waschprogramm. Nach Ablauf des Waschprogramms teilen Sie die Waschlading so auf, dass nur die max. mögliche Füllmenge zum Trocknen in der Trommel verbleibt. Befolgen Sie daraufhin die Anleitungen des Abschnitts **“Nur Trocknen”**. Wiederholen Sie dasselbe nun mit der restlichen Wäschemenge. Im Anschluss an den Trocknungsvorgang folgt immer eine kurze Abkühlzeit.

**Hinweis:** Wenn alle Kontrollleuchten bezüglich des Trocknungsvorgangs ausgeschaltet sind, führt die Maschine den Trocknungsvorgang **nicht** aus.

### Nur Trocknen

Drücken Sie die Taste , um nur zu trocknen. Nachdem Sie das gewünschte Programm ausgewählt haben, das für die zu behandelnden Kleidungsstücke geeignet ist, kann der Waschvorgang durch Drücken der Taste ausgeschlossen werden; der Trockner wird mit der höchsten Stufe gestartet, die für das ausgewählte Programm möglich ist. Es besteht die Möglichkeit, die Stufe oder die Dauer des Trocknungsvorgangs einzustellen oder zu modifizieren, indem Sie die Trocknungstasten , drücken (Dies ist nicht kompatibel mit den Programmen 13 und 14).

## Waschmöglichkeiten

Die verschiedenen Waschkfunktionen, die Ihnen Ihr Waschvollautomat bietet, ermöglichen es Ihnen, hygienisch saubere und weiße Wäsche zu erhalten, die Ihren Wünschen entspricht.

Aktivierung der Funktionen:

1. Drücken Sie die Taste, die der gewünschten Funktion entspricht.
2. Das Aufleuchten der entsprechenden Kontrollleuchte zeigt an, dass die Funktion aktiviert wurde.

Anmerkung:

- Ist die gewählte Funktion nicht vereinbar mit dem eingestellten Programm, schaltet die entsprechende Kontrollleuchte auf Blinklicht und die Funktion wird nicht aktiviert.
- Ist die gewählte Funktion nicht mit einer zuvor ausgewählten vereinbar, schaltet die entsprechende Kontrollleuchte auf Blinklicht, es ertönt ein akustisches Signal (3 Signaltöne) und nur die zweite Funktion wird aktiviert (die entsprechende Kontrollleuchte schaltet sich ein).

## Antiflecken

Mit dieser Option kann die Art der Verschmutzung eingestellt werden, um den Waschzyklus optimal auf die Entfernung der Flecken einzustellen. Die auswählbaren Verschmutzungsarten sind:

- **Lebensmittel**, beispielsweise für Flecken durch Lebensmittel und Getränke.
- **Arbeit**, beispielsweise für Fett- und Tintenflecken.
- **Outdoor**, beispielsweise für Schlamm- und Grasflecken.

**! Die Dauer des Waschzyklus ändert sich je nach ausgewählter Verschmutzungsart.**



Mit dieser Taste wird die Schleudergeschwindigkeit reduziert.

## Extra Spülen

Wählen Sie diese Zusatzfunktion, wird die Spülwirkung erhöht und somit ein optimales Ausspülen des Waschmittels garantiert. Dies ist besonders angezeigt bei sehr empfindlicher Haut bzw. Waschmittelallergien.

**Tabelle zur Dauer der Trockenprogramme (Richtwerte)**

Gewebeart	Art der Ladung	Max. ladmenge (kg)	Falten	Aufhängen	Bügeln
Baumwolle	Unterschiedlich große Wäscheteile, Frotteehandtücher	5	250	210	190
Synthetik	Bettwäsche, Oberhemden, Schalafanzüge, Socken usw.	3	180	130	115
Wolle	Pullover, usw	1,5	155	135	115

# Waschmittel und Wäsche

DE

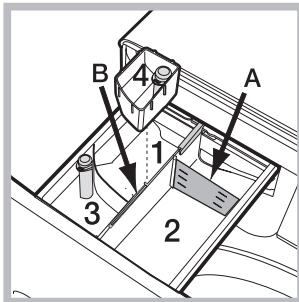
## Waschmittelschublade

Ein gutes Waschergebnis hängt auch von einer korrekten Waschmitteldosierung ab: Eine zu hohe Dosierung bedeutet nicht unbedingt reinere Wäsche, sie trägt nur dazu bei, die Maschineinnenteile zu verkrusten und die Umwelt zu belasten.

! Verwenden Sie keine Handwaschmittel, sie verursachen eine zu hohe Schaumbildung.

! Waschmittel in Pulverform für Baumwollweißwäsche, für die Vorwäsche und für Waschprogramme bei Temperaturen über 60°C verwenden.

! Bitte befolgen Sie den auf der Waschmittelverpackung angegebenen Anweisungen.



Schublade herausziehen und Waschmittel oder Zusätze wie folgt einfüllen:

### Kammer 1: Waschpulver für die Vorwäsche (Waschpulver)

Vergewissern Sie sich vor Einfüllen des Waschmittels, dass die Zusatzkammer 4 nicht eingesetzt wurde.

### Kammer 2: Waschmittel für die Hauptwäsche (Waschpulver oder Flüssigwaschmittel)

### Falls Sie ein Flüssigwaschmittel verwenden, wird empfohlen, die mitgelieferte Trennwand A zu benutzen, um eine korrekte Dosierung zu gewährleisten. Wenn Sie ein Pulverwaschmittel verwenden, geben Sie die Trennwand in die Kammer B.

**Kammer 3: Zusätze (Weichspüler usw.)**  
Der Weichspüler darf den auf dem Zentralstift mit "max" gekennzeichneten Höchststand nicht überschreiten.

### Zusätzliche Kammer 4: Bleichmittel

Setzen Sie die mitgelieferte, zusätzliche Kammer 4 in Kammer 1 ein. Bei der Dosierung des Bleichmittels darf der auf dem Zentralstift mit "max" gekennzeichnete Höchststand nicht überschritten werden. Zur Durchführung des Programms Nur Bleichen geben Sie das Bleichmittel in die Zusatzkammer 4 und stellen Sie das Programm ein.

### Bleichen

! Normale Bleichmittel sind für strapazierfähige Weißwäsche zu verwenden, milde Bleichmittel dagegen für Buntwäsche, Feinwäsche und Wolle.

**Vorsortieren der Wäsche**

- Sortieren Sie die Wäsche nach:
  - Gewebeat / Waschetikettensymbol
  - Farben: Buntwäsche von Weißwäsche trennen.
- Entleeren Sie alle Taschen.
- Das angegebene Gewicht, das sich auf die maximale Ladung an Trockenwäsche bezieht, sollte nicht überschritten werden: siehe "Programmtabelle".

### Wie schwer ist Wäsche?

- 1 Betttuch 400-500 gr
- 1 Kissenbezug 150-00 gr
- 1 Tischdecke 400-500 gr
- 1 Bademantel 900-1200 gr
- 1 Handtuch 150-250 gr

### Sonderprogramme

**Sport** (programm 1) ist speziell für wenig verschmutzte Sportkleidung (Trainingsanzüge, Sporthosen; für beste Resultate empfehlen wir, die in der "Programmtabelle" angezeigte maximale Füllmenge nicht zu übersteigen. Verwenden Sie ein Flüssigwaschmittel und nur die Menge für eine halbe Gerätefüllung.

**Dunkles:** Verwenden Sie das Programm 2 für die Reinigung von dunklen Kleidungsstücken. Das Programm wurde kon-

zipiert, damit dunkle Farben lange Zeit erhalten bleiben. Um bessere Ergebnisse zu erzielen, wird bei der Reinigung von dunklen Kleidungsstücken die Verwendung von Flüssigwaschmittel empfohlen.

Durch Auswahl der Funktion Trocknen erfolgt am Ende des Waschgangs automatisch eine sanfte Trocknung, die die Farben der Wäsche nicht angreift. Auf dem Display erscheint die Stufe . Max. Beladungsmenge: 2,5 kg

**Anti-Geruch:** verwenden Sie das Programm 3 für das Waschen von Kleidung mit unangenehmen Gerüchen (z.B. Zigarettenrauch, Schweiß, Frittiertes). Das Programm ist speziell für die Entfernung von Gerüchen ausgerichtet und schont die Fasern. Wir empfehlen, Synthetik oder Mischwäsche bei 40°, widerstandsfähige Baumwolle bei 60° zu waschen.

**Feine Wäsche:** verwenden Sie das Programm 4 für das Waschen von feiner Wäsche. Wir empfehlen, die Teile vor dem Waschen auf links zu ziehen. Um bessere Ergebnisse zu erzielen, wird für die Reinigung von Feinwäsche die Verwendung von Flüssigwaschmittel empfohlen.

Indem ausschließlich die zeitgesteuerte Trocknenfunktion ausgewählt wird, wird ein besonders schonendes Trocknungsprogramm mit leichten Bewegungen und einem Luftstrom mit optimal angepasster Temperatur ausgeführt.

Die empfohlenen Programmdauern sind:

- 1 kg Synthetik --> 150 min.
- 1 kg Synthetik und Baumwolle --> 180 min.
- 1 kg Baumwolle --> 180 min.

Der Trocknungsgrad hängt von der Beladung und der Beschaffenheit des Gewebes ab.

**Wolle:** das Waschprogramm „Wolle“ dieser Waschmaschine wurde von der Woolmark Company für die Wäsche von mit „Handwäsche“ gekennzeichneten Wollkleidungsstücken getestet und anerkannt, vorausgesetzt die Wäsche erfolgt gemäß der Anweisungen auf Etikett des Kleidungsstück und den Angaben des Herstellers dieser Waschmaschine. (M1126)



**Schnell 30'** (programm 6) dieser Zyklus ist speziell für leicht verschmutzte Wäsche bei 30° (außer Wolle und Seide) mit maximaler Füllung von 3 kg in kurzer Zeit: er dauert nur 30 Minuten und spart so Energie und Zeit.

**Bunte Wäsche:** verwenden Sie das programm 10 für die Reinigung von hellen Kleidungsstücken. Das Programm wurde konzipiert, um die Leuchtkraft der Farben lange zu erhalten.

**Eco Baumwolle 20°** (programm 11) ideal für normalverschmutzte Baumwolle. Die auch mit kaltem Wasser erreichten Leistungen, vergleichbar mit einer Wäsche bei 40°, werden mechanisch erzielt. Die Trommel arbeitet mit wiederholten, kurz auf einander folgenden Beschleunigungen.

**20° Mix-Fein** (programm 12) ideal für durchschnittlich verschmutzte Mischwäsche (Baumwolle und Synthetik). Die guten Waschleistungen auch mit kaltem Wasser werden mechanisch erzielt. Die Trommel arbeitet mit wiederholten, gleichmäßigen Geschwindigkeitsänderungen.

**Waschen&Trocknen 45':** das programm 13 verwenden, um leicht verschmutzte Wäsche (Baumwolle und Synthetik) in kurzer Zeit zu waschen und zu trocknen. Mit diesem Programm können bis zu 1 kg in nur 45 Minuten gewaschen und getrocknet werden. Für ein optimales Resultat verwenden Sie Flüssigwaschmittel; behandeln Sie Bündchen, Kragen und Flecken vor.

**Auffrischen** (programm 14) ist der ideale Zyklus, um ohne Waschgang in 30 Minuten üble Gerüche, insbesondere Rauch, aus Baumwolle und Synthetik zu entfernen (max. 1,5 kg).

Bei Funktionsstörung: Bevor Sie sich an den Technischen Kundendienst wenden (siehe „Kundendienst“), vergewissern Sie sich zuerst, ob es sich nicht um eine Kleinigkeit handelt, die Sie selbst beheben können. Ziehen Sie hierzu nachstehendes Verzeichnis zu Rate.

## Störungen:

**Der Waschvollautomat schaltet sich nicht ein.**

**Der Waschgang startet nicht.**

**Der Waschvollautomat lädt kein Wasser. Die Kontrollleuchte der ersten Waschphase blinkt (rasches Blinklicht).**

**Der Waschvollautomat lädt laufend Wasser und pumpt es laufend ab.**

**Der Waschvollautomat pumpt nicht ab und schleudert nicht.**

**Der Waschvollautomat vibriert zu stark während des Schleuderns.**

**Der Waschvollautomat ist undicht.**

**Die Kontrollleuchten „Funktionen“ und „Start/Pause“ blinken und eine der Kontrollleuchten der „laufenden Programmphase“ sowie die für „Gerätetür gesperrt“ bleiben eingeschaltet.**

**Es bildet sich zu viel Schaum.**

**Push&Wash+Dry lässt sich nicht aktivieren.**

**Der Wäschetrockner trocknet nicht.**

## Mögliche Ursachen / Lösungen:

- Der Stecker steckt nicht in der Steckdose, oder nicht so, dass der Kontakt hergestellt wird.
- Der Strom ist ausgefallen.
- Die Gerätetür wurde nicht vorschriftsmäßig geschlossen.
- Die ON/OFF-Taste wurde nicht gedrückt.
- Die Taste START/PAUSE wurde nicht gedrückt.
- Der Wasserhahn ist nicht aufgedreht.
- Der Zufuhrschlauch ist nicht am Wasserhahn angeschlossen.
- Der Schlauch ist geknickt.
- Der Wasserhahn ist nicht aufgedreht.
- Es ist kein Wasser da.
- Der Druck ist unzureichend.
- Die Taste START/PAUSE wurde nicht gedrückt.
- Der Ablaufschlauch befindet sich nicht auf der vorgeschriebenen Höhe, d.h. 65 – 100 cm vom Boden (siehe „Installation“).
- Das Schlauchende liegt unter Wasser (siehe „Installation“).
- Der Abfluss der Hausinstallation wurde nicht mit einer Entlüftungsöffnung versehen. Konnte die Störung durch diese Kontrollen nicht behoben werden, dann drehen Sie den Wasserhahn zu, schalten das Gerät aus und fordern den Kundendienst an. Falls Sie in einer der obersten Etagen eines Gebäudes wohnen, kann es vorkommen, dass sich im Syphon ein Vakuum bildet, und der Waschvollautomat ständig Wasser ansaugt und wieder abpumpt. Zur Lösung dieser Probleme bietet der Handel spezielle Syphonventile.
- Das Programm siehe kein Abpumpen vor: Bei einigen Programmen muss es von Hand eingestellt werden (siehe „Starten eines Waschprogramms“).
- Der Ablaufschlauch ist geknickt (siehe „Installation“).
- Die Ablaufleitung ist verstopft.
- Die Trommel wurde bei der Installation nicht korrekt befreit (siehe „Installation“).
- Der Waschvollautomat steht nicht eben (siehe „Installation“).
- Der Waschvollautomat steht zu eng zwischen der Wand und einem Möbel (siehe „Installation“).
- Der Zulaufschlauch wurde nicht ordnungsgemäß aufgeschraubt (siehe „Installation“).
- Die Waschladeschublade ist verstopft (zur Reinigung siehe „Wartung und Pflege“).
- Der Ablaufschlauch ist nicht korrekt befestigt (siehe „Installation“).
- Schalten Sie das Gerät aus und ziehen Sie den Netzstecker; warten Sie daraufhin ca. 1 Minute und schalten Sie es wieder ein.  
Bleibt die Störung bestehen, kontaktieren Sie bitte den Kundendienst.
- Das Waschmittel ist für Wäschetrocknern nicht geeignet (es muss mit der Aufschrift „Für Wäschetrocknern“, „Für Handwäsche und Wäschetrocknern“ usw. versehen sein).
- Es wurde zu hoch dosiert.
- Nach dem Einschalten der Maschine wurde eine andere Funktion als Push&Wash+Dry ausgewählt. Schalten Sie die Maschine aus und drücken Sie die Taste Push&Wash+Dry.
- Der Stecker steckt nicht in der Steckdose, oder nicht so, dass der Kontakt hergestellt wird.
- Der Strom ist ausgefallen.
- Das Füllfenster ist nicht richtig geschlossen.
- Alle Kontrollleuchten bezüglich des Trocknungsvorgangs sind ausgeschaltet.

DE

## Bevor Sie sich an den Kundendienst wenden:

- Sollten einige Kontrollen vorab selbst durchgeführt werden (*siehe „Störungen und Abhilfe“*);
- Starten Sie daraufhin das Programm erneut, um sicherzustellen, dass die Störung auch wirklich behoben wurde;
- Ist dies nicht der Fall, dann kontaktieren Sie den autorisierten Kundendienst unter der auf dem Garantieschein befindlichen Telefonnummer.

! Wenden Sie sich auf keinen Fall an nicht autorisierte Techniker.

## Geben Sie bitte Folgendes an:

- die Art der Störung;
- das Maschinenmodell (Mod.);
- die Seriennummer (S/N).

Diese Daten entnehmen Sie bitte dem auf der Rückseite des Waschtrockner und auf der Vorderseite (Gerätetür öffnen) befindlichen Typenschild.