

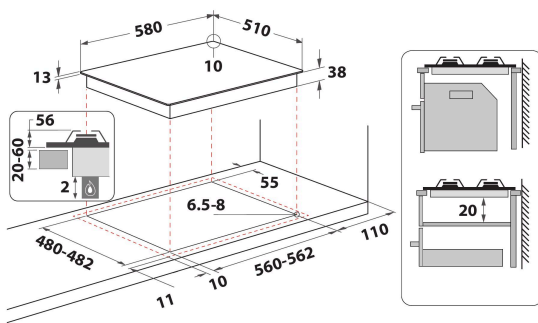
# TKRL 661 NB

12NC: 859991636350

GTIN (EAN) code: 8003437625640

**Whirlpool**

SENSING THE DIFFERENCE



## MAIN FEATURES

Product group	Ploča za kuhanje
Construction type	Ugradbeni
Type of control	Mechanical
Type of control settings	Knob
Number of gas burners	4
Number of electric cooking zones	0
Number of electric plates	0
Number of radiant plates	0
Number of halogen plates	0
Number of induction plates	0
Number of electric warming zones	0
Location of control panel	Front
Basic surface material	Enamelled
Main colour of product	Antracit
Electrical connection rating (W)	0
Gas connection rating (W)	7800
Gas type	Methane
Current (A)	0,6
Voltage (V)	220-240
Frequency (Hz)	50/60
Length of Electrical Supply Cord (cm)	100
Plug type	Ne
Gas connection	-
Width of the product	580
Height of the product	56
Depth of the product	510
Minimum niche height	20
Minimum niche width	560
Niche depth	480
Net weight (kg)	11
Automatic programmes	Ne

## TECHNICAL FEATURES

Power on indicator	Ne
Number of indicators	0
Type of regulation	MINI WOK
Type of lid	Without
Residual heat indicator	Without
Main on/off switch	Ne
Safety device	Yes
Timer	Ne

## ENERGY LABEL

Energy input	Gaz
--------------	-----