

# DAILY REFERENCE GUIDE



**THANK YOU FOR BUYING A WHIRLPOOL PRODUCT.**  
For even more complete user support, register your appliance at [www.whirlpool.eu/register](http://www.whirlpool.eu/register)



Download the **Instructions for use** from the website <http://docs.whirlpool.eu>  
Follow the procedure described on the last page.

**Please read the content of the *Health & Safety and Installation Guides* thoroughly before you use this appliance.**

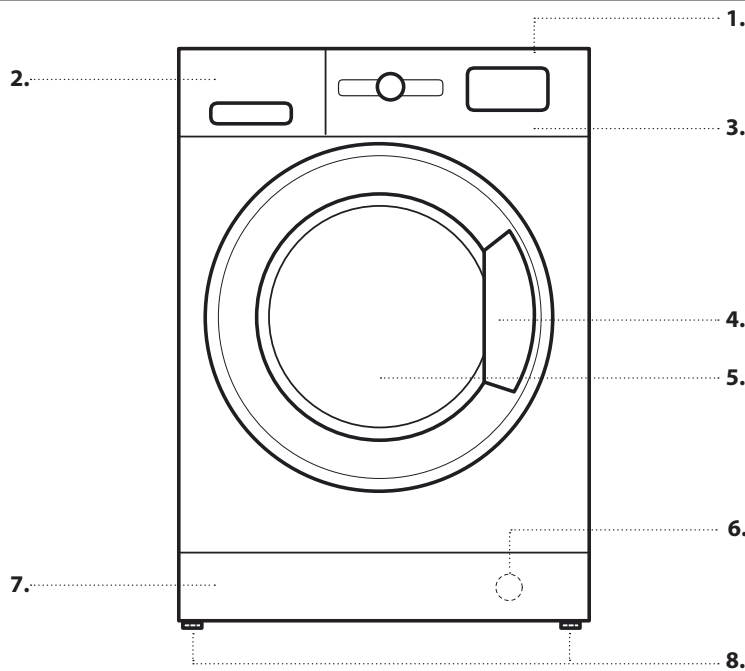


The transit bolts must be removed before the appliance is used.

See the *Health & Safety and Installation Guides* for detailed instructions on how to remove the transit bolts

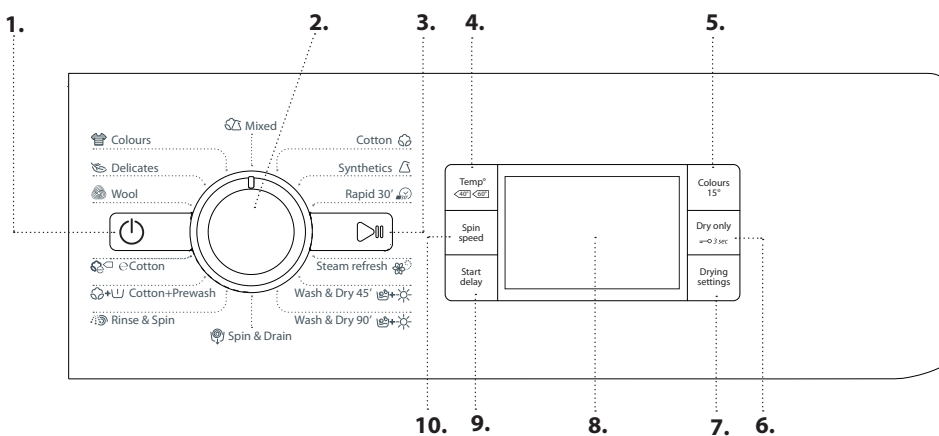
## PRODUCT DESCRIPTION

### APPLIANCE



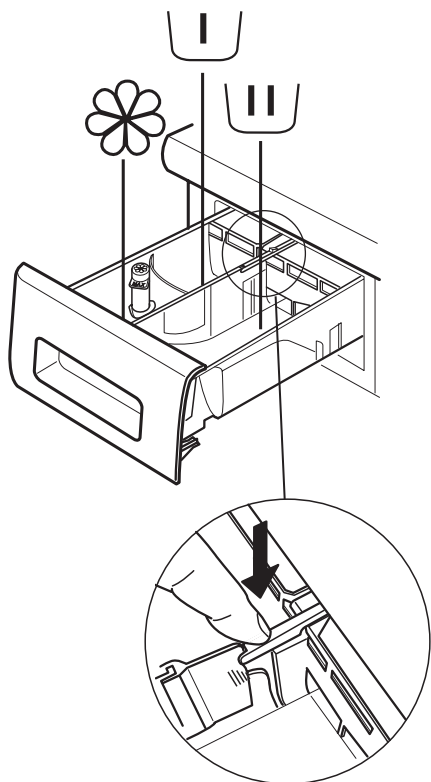
1. Top
2. Detergent dispenser
3. Control Panel
4. Lid handle
5. Door
6. Water filter - behind kick panel
7. Removable kick panel
8. Adjustable feet (2)

### CONTROL PANEL



1. On/Off button
2. Programme selector
3. Start/Pause button
4. Temperature button
5. Colours 15°C button
6. Dry Only button / Lock button
7. Drying settings button
8. Display
9. Start delay button
10. Spin speed button

## DETERGENT DISPENSER



### Prewash Compartment

- Detergent for prewash



### Main Wash Compartment

- Detergent for the main wash
- Stain remover
- Water softener



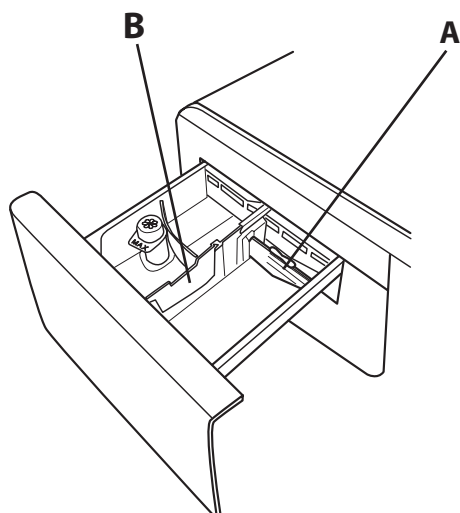
### Softener compartment

- Softener
- Liquid starch

**Pour softener or starch solution into the compartment without exceeding the "max" level.**

### Release button

(press to remove tray for cleaning).



Preferably use the partition **A** when washing with a liquid detergent for washing, to ensure that the correct quantity of detergent is used (the partition is included in the bag containing the instructions). Move the partition into slot **B** when using detergent powder.

## FIRST TIME USE

See the section *DAILY USE* for instructions on selecting and starting a programme.


### FIRST CYCLE OPERATION

Remove any manufacturing debris:


1. Select the "Cotton" programme with a temperature setting of 90 °C.
2. Pour a small quantity of detergent powder into the main wash compartment of the detergent dispenser (maximum 1/3 of the quantity the detergent manufacturer recommends for lightly soiled laundry).
3. Start the programme **without loading the washer dryer machine** (with empty drum).




# DAILY USE

For more information on functions, a more detailed guide may be requested or downloaded from the website following the instructions given on the last page. 



## 1. LOADING LAUNDRY.

- Prepare the laundry, following the recommendations given in the section "HINTS AND TIPS". - Open the door and load the laundry into the drum, without exceeding the maximum load capacities indicated in the *Programme Chart*.
- Close the door, pressing until the latch audibly locks, and check that there is no laundry trapped between the door glass and the rubber seal. 

## 2. OPEN THE WATER TAP

- Check that the washer dryer is connected correctly to the water mains. Open the water tap. 

## 3. SWITCHING ON THE WASHER DRYER MACHINE.

- Press button ; the lamp  flashes slowly.

## 4. SELECTING A PROGRAMME AND CUSTOMISING A CYCLE.

The following functions are possible with this appliance:

- Wash only
- Wash and dry
- Dry only

### Wash only

Select the required programme with the PROGRAMME selector dial. The duration of the wash cycle is shown on the display. The washer dryer machine automatically displays the maximum temperature and spin speed settings possible for the selected programme. Adjust the temperature and/or spin speed settings if needed with the relative buttons.

- Press button "Temp" to cycle through progressively lower temperature settings until cold wash is set ("-" shown on display).
- Press button "Spin speed" to cycle through progressively lower spin speed settings until the spin cycle is turned off ("0" shown on display).

Pressing the button again sets the highest possible setting. Select the required options (if necessary).

- Press the button to select the option; the respective button lamp illuminates.
- Press the button again to cancel the option; the lamp extinguishes.

! If the selected option is not compatible with the programme set, an error warning tone sounds and the indicator lamp flashes three times. The option is not selected.

### Wash and dry


To wash and dry a load with no interruption between the wash and dry cycles, make sure that the load does not exceed the maximum permissible drying load for the selected programme (see the column "Max. load for drying cycle" in the *Programme chart*).


1. Follow the instructions given in the paragraph "Wash Only" to select and, if necessary, customise the required programme.
2. Press "Drying settings" to select the required drying mode. Two drying modes are available: automatic or timer.

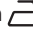
### - Automatic drying with selectable levels:

In automatic drying mode, the washer dryer machine dries the laundry until the set level of dryness is reached. Pressing button "Drying settings" once automatically selects the highest drying level available for the selected programme. Press the button again to reduce the drying level.

The following levels are available:

Wardrobe : laundry is completely dry and ready to be put away in the wardrobe without ironing.

Hanger : laundry is left slightly damp to minimise creasing. Garments must be hung to air dry completely.

Iron : garments are left reasonably damp to make ironing easier.

### - Timer drying mode:

Press button "Drying settings" repeatedly to set timer drying mode. After cycling through all the automatic drying levels, continue pressing button "Drying settings" until the desired time is displayed. Values from 210 to 30 minutes are settable.

To wash a load of laundry larger than the maximum permissible load for drying (see the column "Max. load for drying cycle" in the *Programme chart*), remove a few garments once the washing cycle has finished before starting the drying cycle. Proceed as follows:

1. Follow the instructions given in the paragraph "Wash Only" to select and, if necessary, customise the required programme.
2. Do not include a drying cycle.
3. Once the washing cycle is finished, open the door and remove a few garments to reduce the load. Now follow the instructions for "Dry only".

N.B.: always allow a cooling down period after drying before opening the door.

When using the two preset cycles "Wash & Dry 45'" and "Wash & Dry 90'", it is not necessary to select and start a drying cycle.

### Dry only


This function is used to simply dry a wet load washed previously in the washer dryer or by hand.


1. Select a suitable programme for the laundry you want to dry (e.g. select cotton to dry wet cotton laundry).
2. Press button "Dry only" to dry without a wash cycle.
3. Press "Drying settings" to select the required drying mode. Two drying modes are available: automatic or timer.


### - Automatic drying with selectable levels:

In automatic drying mode, the washer dryer machine dries the laundry until the set level of dryness is reached. Pressing button "Drying settings" once automatically selects the highest drying level available for the selected programme. Press the button again to reduce the drying level.

The following levels are available:

Wardrobe : laundry is completely dry and ready to be put away in the wardrobe without ironing.

Hanger : laundry is left slightly damp to minimise creasing. Garments must be hung to air dry completely.

Iron : garments are left reasonably damp to make ironing easier.

- *Timer drying mode:*

Press button "Drying settings" repeatedly to set timer drying mode. After cycling through all the automatic drying levels, continue pressing button "Drying settings" until the desired time is displayed.



Values from 210 to 30 minutes are settable.

N.B.: always allow a cooling down period after drying before opening the door.


**5. USING THE CORRECT AMOUNT OF DETERGENT.** Pull out the tray and pour detergent into the relative compartments as described in "*Detergent dispenser*". This is only necessary when using a wash only or a wash + dry programme.

**6. DELAYING THE START OF A PROGRAMME.** To set a programme to start at a later time, see the section "*Options and Functions*".

## **7. STARTING A PROGRAMME.**


Press the START/PAUSE button. The relative indicator lamp illuminates, the door locks and the door open  symbol extinguishes. To change a programme while a cycle is in progress, press START/PAUSE to pause the washer dryer (the START/ PAUSE lamp flashes amber slowly); then select the required cycle and press START/PAUSE again. To open the door while a cycle is in progress, press START/PAUSE; the door may be opened if the  symbol lights. Press the START/ PAUSE button again to resume the programme from where it was paused.



## **8. CANCELLING A RUNNING PROGRAMME (IF NECESSARY)**

Press and hold the button  until the washer dryer stops. If the water level and temperature are low enough, the door unlocks and may be opened.

The door remains locked if there is water in the drum. To unlock the door, switch the washer dryer on, select the SPIN & DRAIN programme and turn the spin function off by setting the spin speed to 0. The water is emptied and the door unlocks at the end of the programme.

## **9. SWITCHING THE WASHER DRYER OFF AT THE END OF A PROGRAMME.**

At the end of the cycle, the message "END" is shown on the display. The door can only be opened when the  symbol lights. Check that the door unlocked symbol is lit, then open the door and take out the laundry.

Press  to switch the washer dryer off. To save energy, if the washer dryer is not switched off manually with the  button, it turns off automatically approximately 30 minutes after the end of the programme.

Leave the door ajar to let the interior of the washer dryer dry.

# HINTS AND TIPS

## RULES FOR SEPARATING LAUNDRY

- Fabric type / indications on label (cotton, mixed fibres, synthetic, wool, handwash items)
- Colour (separate coloured garments from whites, wash new coloured items separately)
- Size (wash items of different sizes in the same load to improve washing efficacy and weight distribution in the drum)
- Delicates (place small items – such as nylon stockings – and garments with clasps – such as braziers – in a laundry bag or in a pillow case with a zip).






## EMPTY POCKETS

- Objects such as coins or safety pins can damage laundry and the washer dryer drum.


## WASH SYMBOLS

### ON GARMENT LABELS


The value given in the tub symbol is the maximum temperature possible for washing the garment.

-  Normal mechanical action
-  Reduced mechanical action
-  Much reduced mechanical action
-  Hand wash only
-  Do not wash

## CLEAN THE WATER FILTER REGULARLY

- This is needed to prevent the filter from blocking and preventing the water from draining correctly. See the section “*Cleaning and Maintenance*” / “*Cleaning the water filter*” in the detailed guide that may be requested or downloaded from the website.  [www](#)

## SAVING ENERGY AND PROTECTING THE ENVIRONMENT

- Keeping within the load limits indicated in the programme chart will optimise energy, water and detergent consumption and reduce washing times.
- Do not exceed the detergent quantities recommended by the detergent manufacturer.
- Save energy by using a 60°C instead of a 90°C wash programme, or by using a 40°C instead of a 60°C wash programme. We recommend using the “ Cotton” 60°C programme for cotton garments, which is longer but uses less energy.
- To save energy and time when washing and drying, select highest spin speed available for the programme to reduce the residual water remaining in the garments at the end of the wash cycle.

# PROGRAMME CHART

Programme	Available temperatures	Max. spin speed (rpm)	Drying	Max. load for wash cycle (kg)	Max. load for drying cycle (kg)	Duration (Minutes)	Detergents and additives			Recommended detergent	
							Prewash	Main	Softener	Powder	Liquid
COTTON	- 90°C	1400	<input checked="" type="checkbox"/>	9	6	The duration of the programme is shown on the display.	-	<input checked="" type="checkbox"/>	<input type="checkbox"/>	<input checked="" type="checkbox"/>	<input checked="" type="checkbox"/>
SYNTHETICS	- 60°C	1000	<input checked="" type="checkbox"/>	4,5	4		-	<input checked="" type="checkbox"/>	<input type="checkbox"/>	<input checked="" type="checkbox"/>	<input checked="" type="checkbox"/>
RAPID 30'	- 30°C	800	-	3,5	-		-	<input checked="" type="checkbox"/>	<input type="checkbox"/>		<input checked="" type="checkbox"/>
STEAM REFRESH	-	-	-	2	-		-	-	-		
WASH & DRY 45'	30°C	1400	<input checked="" type="checkbox"/>	1	1		-	<input checked="" type="checkbox"/>	<input type="checkbox"/>		<input checked="" type="checkbox"/>
WASH & DRY 90'	30°C	1200	<input checked="" type="checkbox"/>	2	2		-	<input checked="" type="checkbox"/>	<input type="checkbox"/>		<input checked="" type="checkbox"/>
SPIN & DRAIN	-	1400	<input checked="" type="checkbox"/>	9	6		-	-	-		
DRAIN ONLY *	-	0	-	9	-		-	-	-		
RINSE & SPIN	-	1400	<input checked="" type="checkbox"/>	9	6		-	-	<input type="checkbox"/>		
COTTON+PREWASH	- 90°C	1400	<input checked="" type="checkbox"/>	9	6		<input checked="" type="checkbox"/>	<input checked="" type="checkbox"/>	<input type="checkbox"/>	<input checked="" type="checkbox"/>	
COTTON (1)	- 60°C	1400	<input checked="" type="checkbox"/>	9	6		-	<input checked="" type="checkbox"/>	<input type="checkbox"/>	<input checked="" type="checkbox"/>	<input checked="" type="checkbox"/>
COTTON (2)	- 40°C	1400	<input checked="" type="checkbox"/>	9	6		-	<input checked="" type="checkbox"/>	<input type="checkbox"/>	<input checked="" type="checkbox"/>	<input checked="" type="checkbox"/>
WOOL	- 40°C	800	<input checked="" type="checkbox"/>	2	2		-	<input checked="" type="checkbox"/>	<input type="checkbox"/>		<input checked="" type="checkbox"/>
DELICATES	- 30°C	0	<input checked="" type="checkbox"/>	1	1		-	<input checked="" type="checkbox"/>	<input type="checkbox"/>		<input checked="" type="checkbox"/>
COLOURS	- 40°C	1400	<input checked="" type="checkbox"/>	9	6		-	<input checked="" type="checkbox"/>	<input type="checkbox"/>		<input checked="" type="checkbox"/>
MIXED	- 40°C	1000	<input checked="" type="checkbox"/>	4,5	4,5	-	<input checked="" type="checkbox"/>	<input type="checkbox"/>		<input checked="" type="checkbox"/>	

Selectable/optional      - Not selectable/applicable      ● Required quantity      ○ Optional quantity

For wash programmes with temperatures above 50°C, we recommend using powder detergent rather than liquid, and following the directions given on the detergent package.

\* Select the SPIN & DRAIN programme and set the spin speed to 0 to empty only.

- 1) Test programme in compliance with standard EN 50229 (Wash): select the "Cotton" programme with a temperature of 60°C.
- 2) Long cotton programme: set the "Cotton" programme with a temperature of 40°C.

Test programme in compliance with standard EN 50229 (Drying): the greater load (6kg) must be dried by selecting the dryness level. The remainder of the load must be dried by selecting the dryness level: the load must consist of 3 sheets, 2 pillowcases and 1 hand towel.

The cycle duration indicated on the display or in the manual is an estimated time calculated for standard conditions. The actual cycle time may vary in relation to a number of different factors, such as inlet water temperature and pressure, ambient temperature, quantity of detergent, size and type of load, load balancing and any additional optional functions selected.

# PROGRAMMES

Follow the directions indicated in the garment wash symbols.

## COTTON

for washing normally to heavily soiled towels, underwear, table and bed linen etc. in resilient cotton and linen.

## SYNTHETICS

for washing normally soiled garments made from synthetic fibres (such as polyester, polyacrylic, viscose etc.) or cotton/synthetic blends.

## RAPID 30'

for washing lightly soiled garments quickly: this cycle lasts only 30 minutes, saving time and energy. Maximum load 3,5 Kg.

## STEAM REFRESH

for refreshing garments, neutralised unpleasant odours and relaxing the fibres by delivering steam into the drum. The garments will be damp at the end of the cycle.

## WASH & DRY 45'

for washing and drying lightly soiled cotton and synthetic fibre garments quickly. This cycle washes and dries a laundry load of up to 1 Kg in just 45 minutes.

## WASH & DRY 90'

for washing and drying cotton and synthetic fibre garments quickly. This cycle washes and dries a laundry load of up to 2 Kg in just 90 minutes.

## SPIN & DRAIN

spins the load then empties the water. For resilient garments.

## RINSE & SPIN

rinses and then spins. For resilient garments.

## COTTON+PREWASH

for washing heavily soiled towels, underwear, table and bed linen etc. in resilient cotton and linen where a prewash is required. Use only powder detergent in the "Main Wash Compartment".

## COTTON

for washing normally soiled cotton garments. At 40°C and 60°C, this is the standard cotton programme and the most efficient in terms of water and energy consumption.

## WOOL - Woolmark Apparel Care - Green:

The wool wash cycle of this machine has been approved by The Woolmark Company for the washing of wool garments labelled as "hand wash" provided that the products are washed according to the instructions on the garment label and those issued by the manufacturer of this washer dryer. (M1318)



## DELICATES

for washing particularly delicate garments. Preferably turn garments inside out before washing.

## COLOURS

for washing coloured cotton garments. This programme is optimised to keep colours bright even after repeated washing.

## MIXED

for washing lightly to normally soiled resilient garments in cotton, linen, synthetic fibres and mixed fibres.

# OPTIONS AND FUNCTIONS

## OPTIONS selectable directly by pressing the relative button

! If the selected option is not compatible with the programme set, an error warning tone sounds and the indicator lamp flashes three times. The option is not selected.

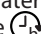
## COLOURS 15°

This option helps protect colours by washing in cold water (15°C). This option uses less energy to heat the water while still offering satisfactory wash results.

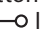
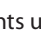
Suitable for lightly soiled, unstained garments, depending on the programme selected previously.

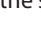
**Note:** selecting this option together with the "MIXED" programme offers wash results comparable to a 40°C cycle at just 15°C.

## START DELAY

To set the selected programme to start at a later time, press the button to set the desired delay time. The  symbol lights on the display when this function is enabled. To cancel the delayed start, press the button again until the value "0" is shown on the display.

## LOCK BUTTON

to lock the control panel, press and hold the button "Dry only" for approximately 3 seconds. the symbol  lights on the display to indicate that the control panel is locked (with the exception of the  button). This prevents unintentional changes to programmes, especially with children near the machine.

If any attempt is made to use the control panel, the symbol  flashes on the display.

To unlock the control panel, press and hold the button "Dry only" for approximately 3 seconds.

---

#### MAINTENANCE AND TROUBLESHOOTING GUIDE

See the **Instructions for use** for instructions on maintenance procedures and troubleshooting problems.

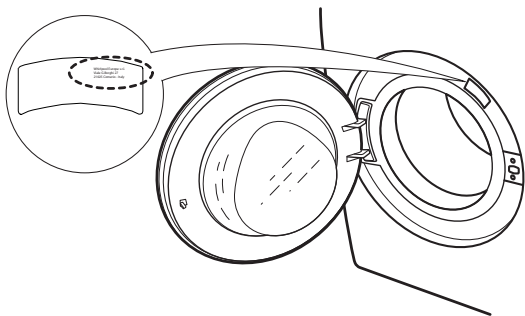


#### TECHNICAL DOSSIER

The technical dossier containing energy consumption figures may be downloaded from the Whirlpool website <http://docs.whirlpool.eu>

#### CONTACTING THE AFTER-SALES SERVICE

When contacting the After-Sales Service, you will need to be able to provide the codes indicated on the adhesive label on the inner side of the door. The telephone number is indicated in the warranty booklet.



#### HOW TO RECEIVE THE INSTRUCTIONS FOR USE

- > Phone the After-Sales Service
- > Use this QR Code



- > Download the guide from the Whirlpool website

<http://docs.whirlpool.eu>

To do this, you need to enter the correct commercial code of the product indicated on the adhesive label.

---

Whirlpool® is a registered trademark of Whirlpool, USA.





# GUIDE D'UTILISATION QUOTIDIENNE



**MERCI D'AVOIR CHOISI UN PRODUIT WHIRLPOOL.**  
Pour un soutien aux utilisateurs encore plus complet,  
enregistrez votre appareil à [www.whirlpool.eu/register](http://www.whirlpool.eu/register)



Téléchargez les **Directives d'utilisation** du  
site Web <http://docs.whirlpool.eu>  
Suivez les procédures décrites à la dernière  
page.

**Veillez lire attentivement le contenu  
des *Utilisation, sécurité et Consignes  
d'installation* avant d'utiliser votre  
appareil.**

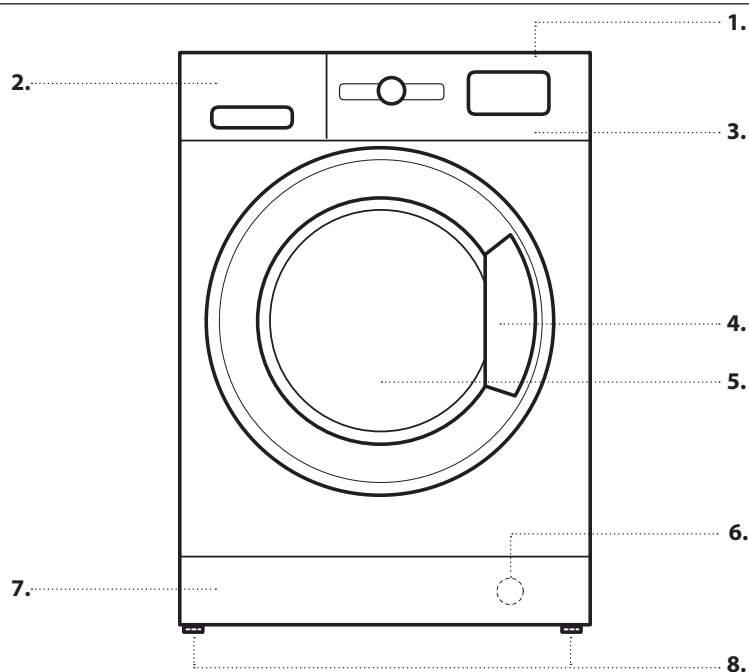


Les boulons de transport doivent  
être enlevés avant d'utiliser  
l'appareil.

Voir les *Utilisation, sécurité et Consignes  
d'installation* pour plus d'informations sur  
comment enlever les boulons de transport

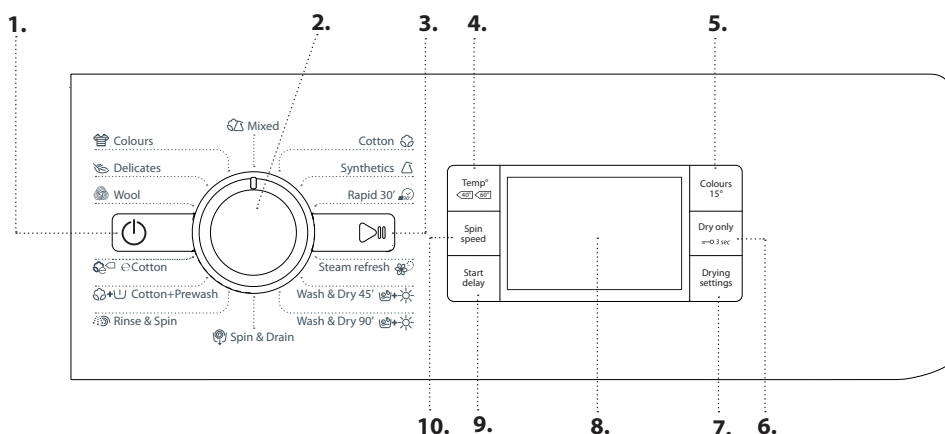
## DESCRIPTION DU PRODUIT

### APPAREIL



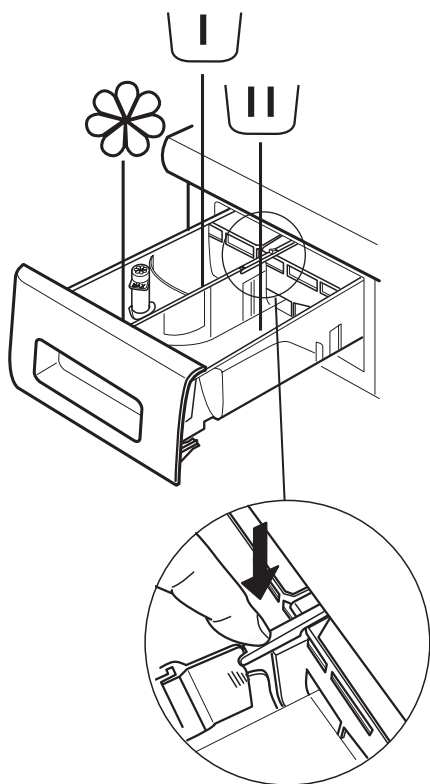
1. Dernier
2. Distributeur de détergent
3. Panneau de commande
4. Poignée du couvercle
5. Porte
6. Filtre à eau - derrière le  
panneau de seuil de porte
7. Enlevez le panneau de seuil de  
porte
8. Supports réglables (2)

### PANNEAU DE COMMANDE



1. Touche Marche/Arrêt
2. Sélecteur de programme
3. Touche Marche / Pause
4. Touche de réglage de la  
température
5. Touche Colours 15°
6. Touche Séchage/Verrouillage  
des touches
7. Touche Paramètre de séchage
8. Écran
9. Touche Départ différé
10. Touche Vitesse essorage

## DISTRIBUTEUR DE DÉTERGENT



### Compartment de prélavage

- Détergent pour le prélavage



### Compartment de lavage principal

- Détergent pour le lavage principal
- Détachant
- Assouplissant



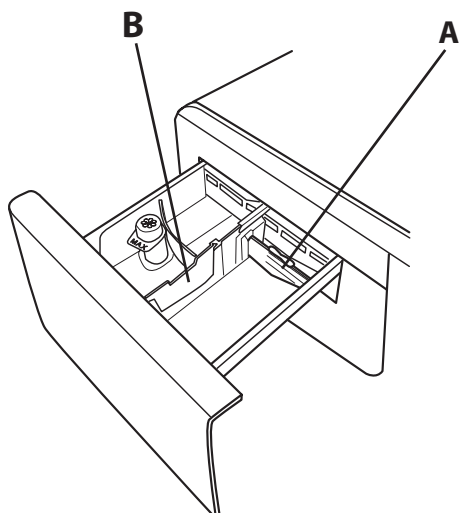
### Compartment adoucissant

- Assouplissant
- Amidon liquide

**Versez l'assouplissant ou l'amidon dans le compartiment sans dépasser le niveau "max".**

### Bouton déclencheur

(appuyez pour enlever le bac pour le nettoyer).



De préférence, utilisez le séparateur **A** lorsque que vous lavez avec un détergent liquide, pour être certain d'utiliser la bonne quantité de détergent (le séparateur est inclus dans le sac contenant les directives). Insérez le séparateur dans la fente **B** lorsque vous utilisez du détergent en poudre.

## PREMIÈRE UTILISATION

Voir la section *UTILISATION QUOTIDIENNE* pour les directives sur la sélection et le démarrage d'un programme.


### PREMIER CYCLE DE LAVAGE

Enlevez tout débris de fabrication :



1. Sélectionnez le programme "Cotton" avec la température réglée à 90 °C.
2. Versez une petite quantité de détergent en poudre dans le compartiment de lavage principal du distributeur de détergent (au maximum 1/3 de la quantité de détergent recommandée par le fabricant pour le linge légèrement sale).
3. Démarrez le programme **sans linge dans le lave-linge/sécheuse** (tambour vide).




# UTILISATION QUOTIDIENNE

Pour plus d'information sur les fonctions, vous pouvez demander un guide plus complet ou le télécharger sur le site Web en suivant les directives disponibles à la dernière. 



## 1. CHARGER LA LESSIVE.

- Préparez votre linge selon les recommandations figurant à la section "TRUCS ET ASTUCES". - Ouvrez la porte et chargez la lessive dans le tambour, sans dépasser la capacité de charge maximum indiquée sur le *Tableau des programmes*. 
- Fermez la porte, poussez jusqu'à ce que vous entendiez le verrou s'enclencher, et assurez-vous que le linge n'est pas pris entre la porte et le joint de caoutchouc. 

## 2. OUVREZ LE ROBINET

Assurez-vous que le lave-linge/sécheuse est bien branché au conduites principales d'eau. Ouvrez le robinet d'eau. 

## 3. DÉMARRER L'APPAREIL LAVE-LINGE/SÉCHEUSE.

Appuyez la touche  ; le voyant  clignote lentement.

## 4. SÉLECTIONNER UN PROGRAMME ET PERSONNALISER LE CYCLE.

Les fonctions suivantes sont disponibles avec cet appareil :

- Lavage seulement
- Lavage et séchage
- Séchage seulement

### Lavage seulement

Sélectionnez le programme désiré en utilisant le cadran de réglage PROGRAMME. La durée du cycle de lavage s'affiche sur l'écran. Le lave-linge/sécheuse affiche automatiquement la température maximum et les vitesses d'essorage disponibles pour le programme sélectionné. Au besoin, ajustez la température et/ou la vitesse d'essorage en utilisant les touches correspondantes.

- Appuyez la touche "Temp" pour faire défiler progressivement les températures plus basses jusqu'au réglage d'eau froide (" - - " apparaît sur l'écran).
- Appuyez la touche "Spin speed" pour faire défiler progressivement les vitesses d'essorage plus basses jusqu'à ce que le cycle d'essorage soit éteint (" 0 " apparaît sur l'écran).

Appuyez de nouveau sur la touche pour régler les valeurs les plus élevées.

Sélectionnez les options nécessaires (au besoin).

- Appuyez sur la touche pour sélectionner l'option; le voyant associé à la touche s'illumine.
- Appuyez de nouveau sur la touche pour annuler l'option; le voyant s'éteint.

! Si l'option sélectionnée n'est pas compatible avec le programme choisi, une tonalité d'avertissement se fait entendre et le voyant clignote trois fois. L'option n'est pas sélectionnée.

### Lavage et séchage

Pour laver et sécher une charge sans interruption entre les cycles de lavage et séchage, assurez-vous que la charge ne dépasse la charge de séchage maximum autorisé pour le programme sélectionné (voir la colonne " Charge max. pour le cycle de séchage " dans le *Tableau des programmes*).

1. Suivez les directives indiquées au paragraphe "Lavage seulement" pour sélectionner et, au besoin, personnaliser le programme désiré.


2. Appuyez sur "Drying settings" pour sélectionner le mode de séchage désiré. Deux modes de séchage sont disponible :


- *séchage automatique avec niveaux qui peuvent être sélectionnés :*

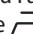
En mode séchage automatique, le lave-linge/sécheuse sèche le linge jusqu'à ce que le degré de séchage soit atteint.

Appuyez sur la touche "Drying settings" une fois sélectionne automatiquement le plus haut degré de séchage disponible pour le programme choisi. Appuyez de nouveau sur la touche pour réduire le degré de séchage.

Les niveaux suivants sont disponibles :

Garde-robe  : le linge est complètement sec et est prêt à être rangé dans la garde-robe sans être repassé.

Cintre  : le linge est légèrement humide pour qu'il ne se froisse pas. Les vêtements doivent être suspendus pour finir de sécher à l'air.

Repassage  : les vêtements sont laissés assez humide pour faciliter le repassage.

- *Mode séchage par minuterie :*

appuyez sur la touche "Drying settings" plusieurs fois pour régler le temps de séchage. Après le défilement de tous les niveaux de séchage automatique, continuez d'appuyer sur la touche "Drying settings" jusqu'à l'affichage du temps désiré. Vous pouvez choisir des valeurs entre 210 et 30 minutes.

Pour laver une charge de linge plus grande que la charge maximum autorisée pour le séchage (voir la colonne " Charge max. pour le cycle de séchage " dans le *tableau des programmes*), enlevez quelques morceaux de linges une fois que le cycle de lavage est terminé, et avant de débiter le cycle de séchage. Procédez de la manière suivante :

1. Suivez les directives indiquées au paragraphe "Lavage seulement " pour sélectionner et, au besoin, personnaliser le programme désiré.
2. Ne pas sélectionner le cycle de séchage.
3. Une fois que le cycle de lavage est terminé, ouvrez la porte et enlevez quelques morceaux de linge pour réduire la charge. Suivez maintenant les directives pour "séchage seulement ".

REMARQUE : toujours permettre une période de refroidissement avant d'ouvrir la porte.

Lorsque vous utilisez les cycles pré-réglés "Wash & Dry 45'" et "Wash & Dry 90'", il n'est pas nécessaire de sélectionner et démarrer le cycle de séchage.

### Séchage seulement

Cette fonction est utilisée simplement pour sécher une charge de linge mouillée, précédemment lavée dans le lave-linge/sécheuse ou à la main.


1. Sélectionnez un programme adéquat pour la lessive vous désirez sécher (p. ex. sélectionnez coton pour sécher une lessive de coton humide).
2. Appuyez sur la touche "Dry only" pour sécher sans le cycle de lavage.


Appuyez sur "Drying settings" pour sélectionner le mode de séchage désiré. Deux modes de séchage sont disponibles : automatique ou minuterie.


- Séchage automatique avec niveaux qui peuvent être sélectionnés :

En mode séchage automatique, le lave-linge/sécheuse sèche le linge jusqu'à ce que le degré de séchage soit atteint. Appuyez sur la touche "Drying settings" une fois sélectionne automatiquement le plus haut degré de séchage disponible pour le programme choisi. Appuyez de nouveau sur la touche pour réduire le degré de séchage.

Les niveaux suivants sont disponibles :

Garde-robe  : le linge est complètement sec et est prêt à être rangé dans la garde-robe sans être repassé.

Cintre  : le linge est légèrement humide pour qu'il ne se froisse pas. Les vêtements doivent être suspendus pour finir de sécher à l'air.

Repassage  : les vêtements sont laissés assez humide pour faciliter le repassage.

- Mode séchage par minuterie :



Appuyez sur la touche "Drying settings" plusieurs fois pour régler le temps de séchage. Après le défilement de tous les niveaux de séchage automatique, continuez d'appuyer sur la touche "Drying settings" jusqu'à l'affichage du temps désiré. Vous pouvez choisir des valeurs entre 210 et 30 minutes.

REMARQUE : toujours permettre une période de refroidissement avant d'ouvrir la porte.


**5. UTILISER LA BONNE QUANTITÉ DE DÉTERGENT.** Tirez sur le bac et versez du détergent dans les compartiments correspondants comme décrit dans "Distributeur De Détergent". Ceci est seulement nécessaire lorsque vous utilisez un programme de lavage seulement ou un programme de lavage et séchage.

**6. DIFFÉRER LE DÉMARRAGE D'UN PROGRAMME.** Pour régler un programme avec un démarrage différé, voir la section "Options et Fonctions".

## 7. DÉMARRER UN PROGRAMME.

Appuyez sur la touche MARCHE/PAUSE. Le voyant correspondant s'allume, la porte se verrouille, et le symbole porte ouverte  s'éteint. Pour changer un programme lorsqu'un cycle est en cours, appuyez sur MARCHE/PAUSE pour interrompre le lave-linge/sécheuse (le voyant jaune MARCHE/PAUSE clignote lentement); sélectionnez ensuite le cycle désiré et appuyez sur MARCHE/PAUSE de nouveau. Pour ouvrir la porte lorsque le cycle est en cours, appuyez sur MARCHE/PAUSE; la porte peut être ouverte si le symbole  s'allume. Appuyez sur la touche MARCHE/PAUSE de nouveau pour reprendre le programme là où il a été interrompu.


## 8. ANNULER UN PROGRAMME EN COURS (AU BESOIN)



Appuyez sur la touche  jusqu'à ce que le lave-linge/sécheuse s'arrête.

Si le niveau d'eau et la température sont assez bas, la porte se déverrouille et peut être ouverte.

La porte demeure verrouillée s'il reste de l'eau dans le tambour. Pour déverrouiller la porte, démarrez le lave-linge/sécheuse, sélectionnez le programme SPIN & DRAIN et éteignez la fonction d'essorage en réglant la vitesse d'essorage à 0. L'eau se vide et la porte se déverrouille à la fin du programme.

## 9. ÉTEINDRE LE LAVE-LINGE/SÉCHEUSE À LA FIN DU PROGRAMME.

À la fin du cycle, le mot "END" apparaît sur l'écran. La porte peut seulement être ouverte lorsque le symbole  s'allume. Assurez-vous que le symbole porte déverrouillée est illuminée; ouvrez ensuite la porte et sortez le linge.

Appuyez sur  pour éteindre le lave-linge/sécheuse. Pour économiser de l'énergie, si le lave-linge/sécheuse n'est pas éteint manuellement avec la touche , il s'éteint automatiquement environ 30 minutes après la fin du programme.

Laissez la porte entrouverte pour laisser l'intérieur du lave-linge/sécheuse sécher.

# TRUCS ET ASTUCES

## RÈGLES POUR SÉPARER LA LESSIVE

- Type de tissu / indications sur l'étiquette (coton, fibres mixtes, synthétiques, laine, articles à laver à la main)
- Couleur (séparez les articles de couleur et le blanc, lavez séparément les articles de couleur neufs)
- Taille (lavez les articles de taille différente ensemble pour améliorer l'efficacité du lavage et la distribution à l'intérieur du tambour)
- Délicats (placez les petits articles – comme les bas de nylon – et les vêtements avec des fermoirs – comme les soutiens-gorges – dans un sac à lessive ou dans une taie d'oreiller avec une fermeture éclair).


## VIDEZ LES POCHE

- Les objets comme la monnaie ou les épingles de sûreté peuvent endommager le tambour de l'appareil.

## SYMBOLES DE LAVAGE

### SUR LES ÉTIQUETTES DE VÊTEMENT

La valeur indiquée dans le symbole de la cuve est la température maximum possible pour laver le vêtement.

 Mouvement mécanique normal


 Action mécanique réduite

 Action mécanique très réduite

 Lavage à la main uniquement

 Ne pas laver

## NETTOYEZ LE FILTRE À EAU RÉGULIÈREMENT

- Ceci est nécessaire pour empêcher le filtre de se bloquer, ce qui pourrait entraver la vidange de l'eau. Voir la section "*Nettoyage et entretien*" / "*Nettoyer le filtre à eau*" dans le guide détaillé qui peut être demandé ou téléchargé à partir du site Web.  [www](#)

## ÉCONOMISEZ DE L'ÉNERGIE ET PROTÉGEZ L'ENVIRONNEMENT

- Restez dans les limites de charge indiquées dans le tableau des programmes optimisera la consommation d'énergie, d'eau, et de détergent, et réduira le temps de lavage.
- Ne dépassez pas la quantité de détergent recommandée par le fabricant du détergent.
- Économisez de l'énergie en utilisant un programme de lavage à 60 °C au lieu d'un programme à 90 °C, ou en utilisant un programme de lavage à 40 °C au lieu de 60 °C. Nous recommandons d'utiliser le programme "Cotton" 60°C pour les vêtements de coton; il est plus long, mais utilise moins d'énergie.
- Pour économiser de l'énergie et du temps lors du lavage et le séchage, sélectionnez la plus haute vitesse d'essorage disponible pour le programme pour réduire la quantité d'eau dans les vêtements à la fin du cycle de lavage.

# TABLEAU DES PROGRAMMES

Programme	Températures disponibles	Vit. max. essor. (tr/min)	Séchage	Charge max. pour le cycle de lavage (kg)	Charge max. pour le cycle de séchage (kg)	Durée (minutes)	Détergents et produits additifs			Détergent recommandé	
							Prélavage	Lavage	Assouplissant	Poudre	Liquide
COTTON  (COTON)	❄ - 90°C	1400	✓	9	6	La durée du programme est affichée sur l'écran.				✓	✓
SYNTHETICS  (SYNTHÉTIQUES)	❄ - 60°C	1000	✓	4,5	4		-			✓	✓
RAPID 30'  (RAPIDE 30')	❄ - 30°C	800	-	3,5	-		-				✓
STEAM REFRESH  (RAFRAÎCHIR)	-	-	-	2	-		-	-	-		
WASH & DRY 45'  (LAVAGE & SÉCHAGE 45')	30°C	1400	✓	1	1		-				✓
WASH & DRY 90'  (LAVAGE & SÉCHAGE 90')	30°C	1200	✓	2	2		-				✓
SPIN & DRAIN (ESSORAGE & VIDANGE)	-	1400	✓	9	6		-	-	-		
DRAIN ONLY * (VIDANGE SEULEMENT)	-	0	-	9	-		-	-	-		
RINSE & SPIN (RINÇAGE & ESSORAGE)	-	1400	✓	9	6		-	-			
COTTON+PREWASH (COTON + PRÉLAVAGE)	❄ - 90°C	1400	✓	9	6					✓	
COTTON (1) (COTON)	❄ - 60°C	1400	✓	9	6		-			✓	✓
COTTON (2) (COTON)	❄ - 40°C	1400	✓	9	6		-			✓	✓
WOOL (LAINE)	❄ - 40°C	800	✓	2	2		-				✓
DELICATES (DÉLICATS)	❄ - 30°C	0	✓	1	1		-				✓
COLOURS (COULEURS)	❄ - 40°C	1400	✓	9	6		-				✓
MIXED (MIXTE)	❄ - 40°C	1000	✓	4,5	4,5		-				✓

✓ Disponible/facultatif      - Non disponible/ne s'applique pas      ● Quantité requise      ○ Quantité facultative

Pour les programmes de lavage avec des températures supérieures à 50°C, nous recommandons l'utilisation de détergent en poudre plutôt que liquide, et suivez les directives sur l'emballage du détergent.

\* Sélectionnez le programme SPIN & DRAIN et réglez la vitesse d'essorage à 0 pour vider seulement.

1) Programme de vérification conforme à la norme EN 50229 (Lavage): sélectionnez le "Cotton" programme avec une température de 60°C.

2) Programme coton prolongé: réglez le "Cotton" programme avec une température de 40°C.

Programme de vérification conforme à la norme EN 50229 (Séchage): pour le séchage de la charge de linge plus grand (6kg), sélectionner le niveau de séchage . Pour le séchage de la charge de linge restante, sélectionner le niveau de séchage , le linge doit comprendre: 3 draps, 2 taies d'oreiller et 1 serviette de toilette.

La durée du cycle indiquée sur l'écran ou dans le manuel est une approximation calculée à partir de conditions normales. Plusieurs facteurs peuvent influencer la durée de cycle réelle; la pression et la température d'arrivée d'eau, la température ambiante, la quantité de détergent, la grosseur et type de lessive, l'équilibre de la charge, et toute autre fonction sélectionnée.

# PROGRAMMES

Suivez les directives indiquées sur le symbole de lavage du morceau de linge.

## COTTON (COTON)

pour laver les serviettes, sous-vêtements, linges de lit et de table, etc. en coton et lin résistants, sales à très sales.

## SYNTHETICS (SYNTHÉTIQUES)

pour laver les vêtements sales en fibres synthétiques (comme le polyester, polyacrylique, viscose, etc.) ou un mélange de coton et fibres synthétiques.

## RAPID 30' (RAPIDE 30')

pour laver rapidement les vêtements légèrement sales : ce cycle dure seulement 30 minutes, économisant temps et énergie. Charge maximum 3,5 Kg.

## STEAM REFRESH (RAFRAÎCHIR)

pour rafraîchir les vêtements, neutraliser les odeurs déplaisantes, et détendre la fibre en relâchant de la vapeur dans le tambour. Les vêtements seront humides à la fin du cycle.

## WASH & DRY 45' (LAVAGE & SÉCHAGE 45')

pour laver et sécher rapidement les vêtements en coton et fibres synthétiques légèrement sales. Ce cycle lave et sèche une charge de linge d'un maximum de 1 Kg en seulement 45 minutes.

## WASH & DRY 90' (LAVAGE & SÉCHAGE 90')

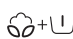
pour laver et sécher rapidement les vêtements en coton et fibres synthétiques. Ce cycle lave et sèche une charge de linge d'un maximum de 2 Kg en seulement 90 minutes.

## SPIN & DRAIN (ESSORAGE & VIDANGE)

essore la charge de linge pour ensuite vider l'eau. Pour les vêtements résistants.


## RINSE & SPIN (RINÇAGE & ESSORAGE)

rinçe et essore ensuite. Pour vêtements résistants.

 COTTON+PREWASH (COTON 90°C+PRÉLAVAGE)  
pour laver les serviettes, sous-vêtements, linges de lit et de table, etc., en coton et lin résistants, très sales. Utilisez seulement du détergent en poudre dans le "Compartiment de lavage principal".

## COTTON (COTON)

pour laver les vêtements en coton sales. À 40°C et 60°C, c'est le programme standard pour le coton, et le plus efficace en terme de consommation d'eau et d'énergie.

 WOOL (LAINE) - Woolmark Apparel Care - Green:  
le cycle de lavage « Laine » de ce lave-linge/sécheuse a été approuvé par la société Woolmark Company pour le lavage d'articles en laine classés comme « lavables à la main », à condition que le lavage soit effectué conformément aux instructions indiquées sur l'étiquette du vêtement et aux indications fournies par le fabricant de ce lavante-séchante. (M1318)



## DELICATES (DÉLICATS)

pour laver les vêtements délicats. De préférence, tournez les vêtements à l'envers avant de les laver.

## COLOURS (COULEURS)

pour laver les vêtements de couleur en coton. Ce programme est optimisé pour garder les couleurs brillantes, même après plusieurs lavages.

## MIXED (MIXTE)

pour laver les vêtements en coton, lin, fibres synthétiques, et fibres mixtes résistants, sales à légèrement sales.

# OPTIONS ET FONCTIONS

## OPTIONS disponibles en appuyant directement sur la touche associée


! Si l'option sélectionnée n'est pas compatible avec le programme choisi, une tonalité d'avertissement se fait entendre et le voyant clignote trois fois. L'option n'est pas sélectionnée.

## COLOURS 15°

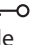


Cette option aide à protéger les couleurs en lavant à l'eau froide (15°C). Cette option utilise moins d'énergie pour réchauffer l'eau et donne de bons résultats. Adéquat pour les vêtements légèrement sales qui ne sont pas tachés, selon le programme préalablement sélectionné.

**Remarque :** sélectionner cette option avec le programme "MIXED" permet d'obtenir des résultats comparables au cycle à 40°C à juste 15°C.

## START DELAY (DÉPART DIFFÉRÉ)

Pour démarrer le programme sélectionné plus tard, appuyez sur la touche pour régler le délai désiré. Le symbole  s'allume sur l'écran lorsque la fonction est activée. Pour annuler le départ différé, appuyez de nouveau sur la touche jusqu'à ce que la valeur "0" soit affichée sur l'écran.

## VERROUILLAGE DES TOUCHES

pour verrouiller le panneau de commande, appuyez sur la touche "Dry only" environ 3 secondes. Le symbole  s'allume sur l'écran pour indiquer que le panneau de commande est verrouillé (la seule exception est la touche ). Ceci prévient tout changement non intentionnel des programmes, surtout avec des enfants près de l'appareil. Si quelqu'un essaie d'utiliser le panneau de commande, le symbole  clignote sur l'écran. Pour déverrouiller le panneau de commande, appuyez sur la touche "Dry only" environ 3 secondes.

#### GUIDE D'ENTRETIEN ET DE DÉPANNAGE

Voir les **Directives d'utilisation** pour les directives sur l'entretien et le dépannage de problèmes.

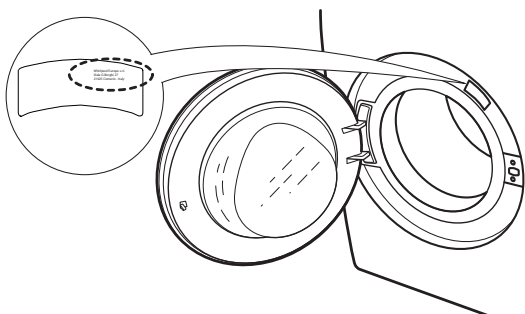


#### DOSSIER TECHNIQUE

Le dossier technique, contenant les données de consommation d'énergie, peut être téléchargé à partir du site Web de Whirlpool <http://docs.whirlpool.eu>

#### CONTACTER LE SERVICE APRÈS-VENTE

Lorsque vous contactez le Service après-vente, vous devez avoir en votre possession les codes indiqués sur l'étiquette adhésive sur le côté intérieur de la porte. Le numéro de téléphone est indiqué dans le livret de garantie.



#### COMMENT RECEVOIR LES DIRECTIVES D'UTILISATION

- > Communiquez avec le Service après-vente
- > Utilisez le code QR



- > Téléchargez le guide du site Web de Whirlpool <http://docs.whirlpool.eu>
- Pour cela, vous devez entrer le bon code commercial du produit, indiqué sur l'étiquette adhésive.

Whirlpool® est une marque de commerce enregistrée de Whirlpool, États-Unis.





قم بتنزيل تعليمات الاستخدام من الموقع  
<http://docs.whirlpool.eu>  
اتباع الإجراءات المبينة في الصفحة الأخيرة.



نشكرك على شرائك أحد منتجات شركة WHIRLPOOL.  
وللحصول على دعم فني أكثر تكاملاً، يرجى تسجيل جهازك على  
الموقع [www.whirlpool.eu/register](http://www.whirlpool.eu/register)



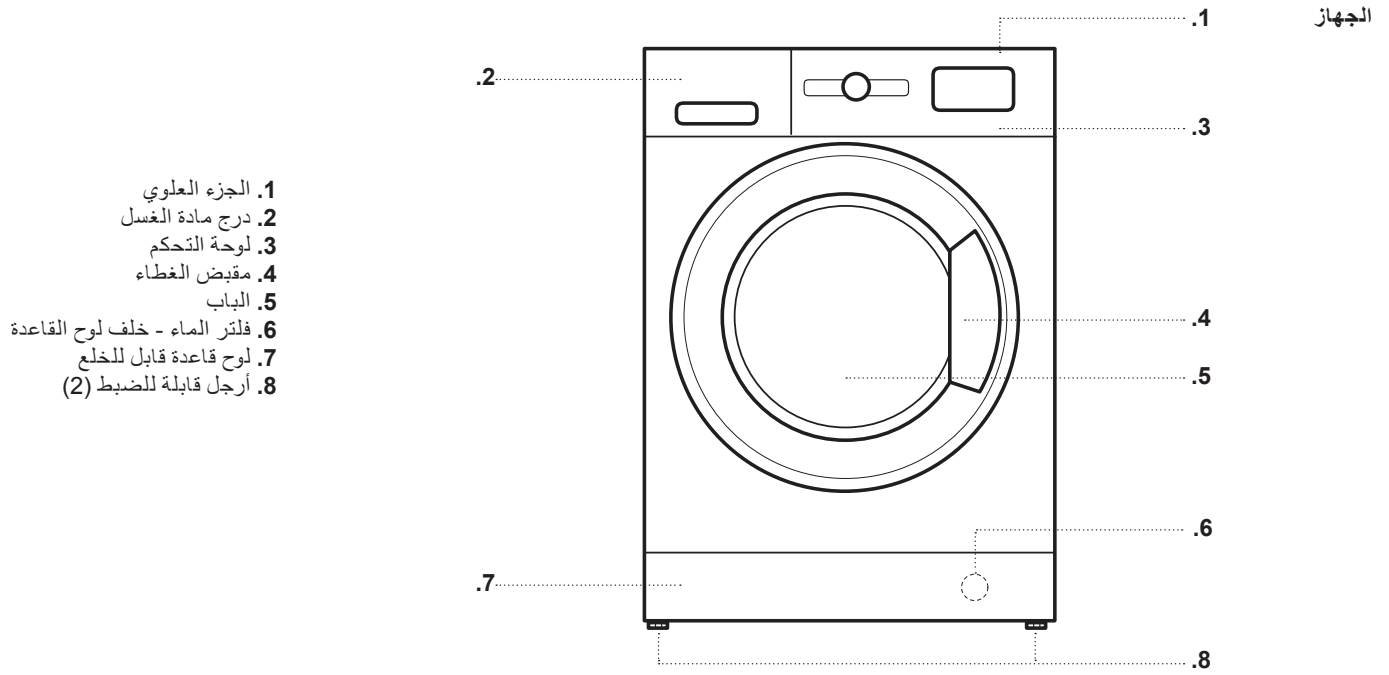
يلزم خلع براغي النقل هذا قبل استخدام الجهاز.

انظر دليل الصحة والسلامة والتركيب لمزيد من  
المعلومات التفصيلية حول طريقة خلع براغي النقل

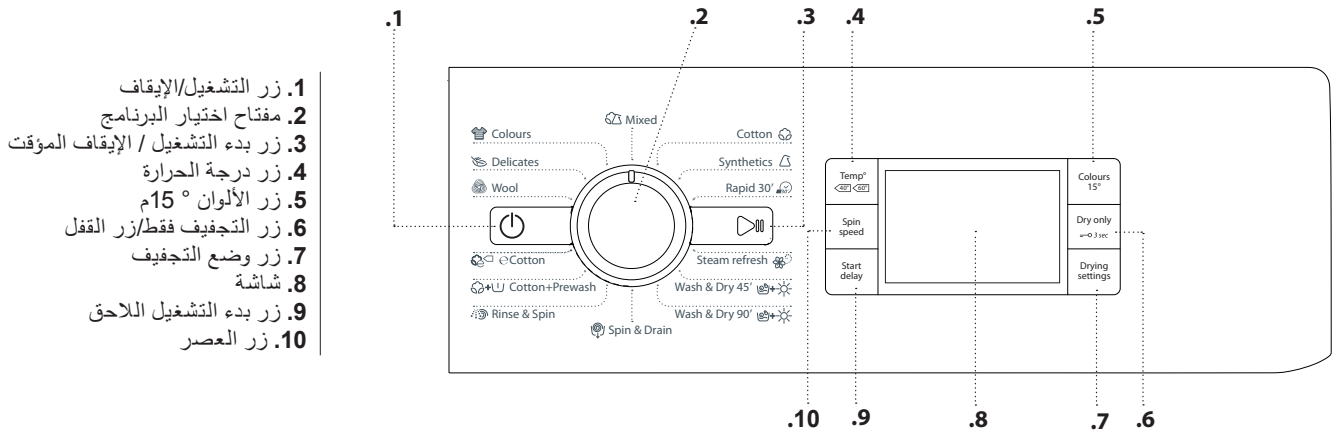


يرجى قراءة محتويات دليل الصحة والسلامة  
والتركيب بتأني قبل استخدام هذا الجهاز.

## شرح المنتج



لوحة التحكم



حجيرة الغسل الأولي  
مادة الغسل الخاصة بالغسل الأولي



حجيرة الغسل الرئيسي  
مادة الغسل للغسل الرئيسي  
مزيل البقع  
مزيل عسر الماء

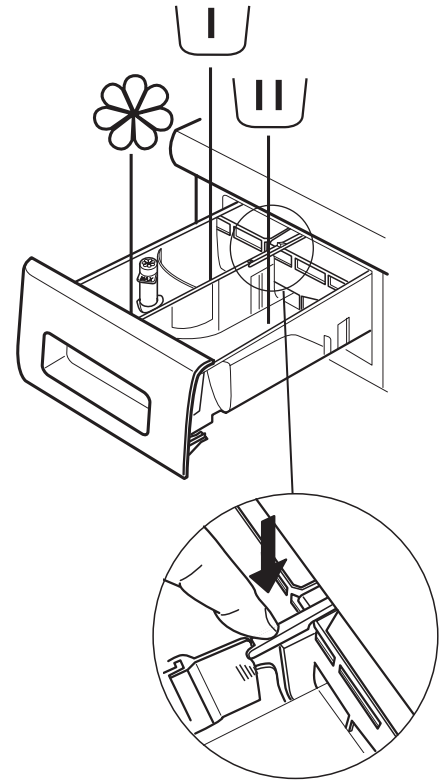


حجيرة منعم الملابس  
منعم الملابس  
مشا سائل

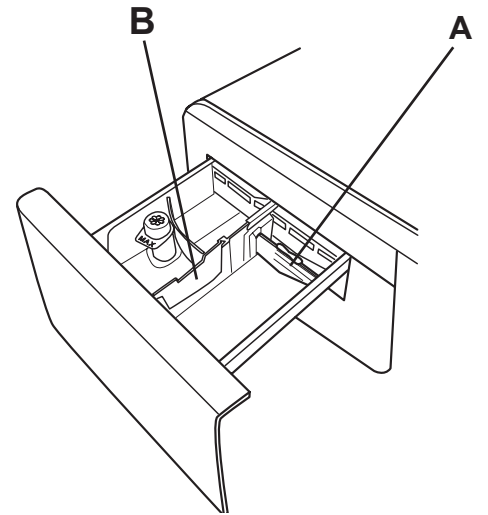


أضف منعم الملابس أو محلول النشأ داخل الحيز دون تجاوز علامة الحد «الأقصى».

زر التحرير  
(اضغط لإزالة الدرج لتنظيفه).



يفضل استخدام الدرج **A** عند الغسل باستخدام سائل تنظيف مخصص للغسل، لضمان استخدام الكمية الصحيحة من سائل التنظيف (يوجد هذا الدرج في الحقيبة المشتملة على دليل التعليمات).  
انقل الدرج إلى الفتحة **B** في حالة استخدام مسحوق تنظيف.



## الاستخدام لأول مرة

انظر فصل «الاستخدام اليومي» لمزيد من المعلومات حول اختيار وبدء تشغيل البرنامج.

### دورة التشغيل الأولي

تخلص من أي شوائب من عملية الإنتاج:



- اختر برنامج "Cotton" بدرجة حرارة 90°م.
- ضع كمية صغيرة من مسحوق الغسل في حجيرة الغسل الرئيسية بدرجة مادة الغسل (بحد أقصى 3/1 الكمية الموصى بها من قبل الجهة الصانعة لمادة الغسل للغسيل المتسخ بدرجة خفيفة).
- ابدأ تشغيل البرنامج دون وضع شيء في الغسالة المجففة (والحلة فارغة).

لمزيد من المعلومات حول الوظائف، يمكنك طلب دليل أكثر تفصيلاً أو تنزيله من الموقع من خلال اتباع التعليمات الواردة في الصفحة الأخيرة.



## 1. وضع الغسيل.



• قم بتحضير الغسيل وفقاً للتوصيات الواردة في جزء «إرشادات ونصائح». - افتح الباب وضع الغسيل داخل الحلة، دون تجاوز السعة القصوى للكمية المبيّنة في مخطط البرنامج. أغلق الباب، من خلال الضغط إلى أن ينغلق القفل بصوت مسموع، وتحقق من عدم انحسار قطع الغسيل بين الباب الزجاج والعازل المطاطي.



## 2. فتح صنبور الماء



تأكد من توصيل الغسالة بماسورة المياه بشكل صحيح. افتح صنبور الماء.

## 3. تشغيل الغسالة المجففة.

اضغط على الزر (1); توّض للمبة (2) ببطء.

## 4. اختيار برنامج وتخصيص دورة الغسل.

توجد الوظائف الآتية بهذه الغسالة:

للغسل فقط

للغسل والتجفيف

للتجفيف فقط

### الغسل فقط

اختر «البرنامج» المرغوب باستخدام مفتاح الاختيار الدوار. تظهر مدة دورة الغسل على الشاشة. تظهر على شاشة الغسالة المجففة الحد الأقصى لإعدادات درجة الحرارة وسرعة العصر المتاحة للبرنامج المختار. اضبط إعدادات درجة الحرارة و/أو سرعة العصر عند اللزوم باستخدام الأزرار المخصصة لذلك. • اضغط على الزر "Temp" للتنقل تدريجياً بين إعدادات درجة الحرارة المنخفضة إلى أن يتم ضبط الغسل على البارد (يظهر "0" على الشاشة). • اضغط على الزر "Spin Speed" للتنقل تدريجياً بين إعدادات سرعة العصر المنخفضة وحتى إيقاف العصر (يظهر "0" على الشاشة). يؤدي الضغط على الزر مرة أخرى إلى الضبط على وضع الضبط الأقصى. يؤدي الضغط على الزر مرة أخرى إلى الضبط على وضع الضبط الأقصى. اختر الخيارات المطلوبة (عند اللزوم).

• اضغط على الزر لاختيار أحد الخيارات، فتضيء لمبة الزر المعنى. • اضغط على الزر مرة أخرى لإلغاء الاختيار، فتتطفئ للمبة.

! إذا لم يكن الخيار المختار غير متوافق مع ضبط البرنامج، تصدر إشارة تحذير صوتية وتومض لمبة البيان 3 مرات. ولا يتم تفعيل الاختيار.

### الغسل والتجفيف

لغسل وتجفيف كمية الغسيل بدون فترة فاصلة بين دورتي الغسل والتجفيف، احرص على عدم تجاوز الكمية لحدود الحمولة القصوى المسموح بها للبرنامج المختار (انظر عمود «الحدود القصوى لكميات التجفيف» في مخطط البرنامج).

1. اتبع التعليمات الواردة في فقرة «غسل فقط» لاختيار وتخصيص البرنامج المطلوب، إذا لزم الأمر.

2. اضغط على الزر "Drying settings" لاختيار وضع التجفيف المطلوب. يتوفر وضعين للتجفيف: أوتوماتيكي أو مؤقت.

- التجفيف الأوتوماتيكي مع المستويات القابلة للاختيار: في وضع التجفيف الأوتوماتيكي، تقوم الغسالة المجففة بتجفيف الغسيل حتى الوصول إلى مستوى التجفيف المضبوط. يؤدي الضغط على الزر "Drying settings" مرة واحدة إلى اختيار أعلى مستوى تجفيف متوفر للبرنامج المختار. اضغط على الزر مرة أخرى لتقليل مستوى التجفيف.

تتوفر المستويات الآتية:

مستوى خزانة الملابس (1): يكون الغسيل جاف تماماً وجاهز للوضع في خزانة الملابس دون كي.

مستوى الشماعة (2): يظل الغسيل رطباً بعض الشيء لتقليل الكرمشة. ويلزم تعليق الملابس لتجف تماماً في الهواء.

مستوى الكي (3): تظل الملابس رطبة إلى حد ما لتسهيل الكي.

- وضع التجفيف بالمؤقت:

اضغط على الزر "Drying settings" بصفة متكررة لضبط وضع التجفيف بالمؤقت. بعد التنقل بين جميع مستويات التجفيف الأوتوماتيكي، استمر في الضغط على الزر "Drying settings" إلى أن يتم عرض الوقت المرغوب. يمكن ضبط القيم من 210 إلى 30 دقيقة.

لغسل كمية غسيل أكبر من الكمية القصوى المسموح بها للتجفيف (انظر عمود «الحدود القصوى لكمية التجفيف» في مخطط البرنامج)، قم بإزالة بعض قطع الملابس فور انتهاء دورة الغسل وقبل بدء دورة التجفيف. استمر كما يلي:

1. اتبع التعليمات الواردة في فقرة «غسل فقط» لاختيار وتخصيص البرنامج المطلوب، إذا لزم الأمر.
2. لا تقم بتضمين دورة تجفيف.
3. فور انتهاء دورة الغسل، افتح الباب وأخرج بعض قطع الملابس لتقليل الحمل. بعد ذلك، اتبع تعليمات «التجفيف فقط».

ملحوظة: احرص دائماً على الانتظار لفترة بعد تجفيف الملابس وقبل فتح الباب.

عند استخدام الدورتين سابقتي الضبط «Wash & Dry 45» و «Wash & Dry 90»، لا يلزم اختيار دورة تجفيف أو بدء تشغيلها.

### التجفيف فقط

تستخدم هذه الوظيفة لتجفيف الملابس المبللة التي تم غسلها سابقاً في الغسالة المجففة أو يدوياً.

1. اختر برنامجاً مناسباً للغسيل التي ترغب في تجفيفه (على سبيل المثال، اختر «أقطان» لترطيب الملابس القطنية).
2. اضغط على الزر "Dry Only" للتجفيف بدون دورة غسيل.
3. اضغط على الزر "Drying settings" لاختيار وضع التجفيف المطلوب. يتوفر وضعين للتجفيف: أوتوماتيكي أو مؤقت.

- التجفيف الأوتوماتيكي مع المستويات القابلة للاختيار:

في وضع التجفيف الأوتوماتيكي، تقوم الغسالة المجففة بتجفيف الغسيل حتى الوصول إلى مستوى التجفيف المضبوط. يؤدي الضغط على الزر "Drying settings" مرة واحدة إلى اختيار أعلى مستوى تجفيف متوفر للبرنامج المختار. اضغط على الزر مرة أخرى لتقليل مستوى التجفيف.

تتوفر المستويات الآتية:

مستوى خزانة الملابس (1): يكون الغسيل جاف تماماً وجاهز للوضع في خزانة الملابس دون كي.

مستوى الشماعة (2): يظل الغسيل رطباً بعض الشيء لتقليل الكرمشة. ويلزم تعليق الملابس لتجف تماماً في الهواء.

مستوى الكي (3): تظل الملابس رطبة إلى حد ما لتسهيل الكي.

- وضع التجفيف بالمؤقت:


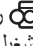
اضغط على الزر "Drying settings" بصفة متكررة لضبط وضع التجفيف بالمؤقت. بعد التنقل بين جميع مستويات التجفيف الأوتوماتيكي، استمر في الضغط على الزر "Drying settings" إلى أن يتم عرض الوقت المرغوب. يمكن ضبط القيم من 210 إلى 30 دقيقة.


ملحوظة: احرص دائماً على الانتظار لفترة بعد تجفيف الملابس وقبل فتح الباب.


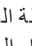

## 5.

استخدام الكمية المناسبة من مادة الغسل. اجذب الدرج وقم بصب مادة الغسل في الحجيرات المخصصة لذلك كما هو مبين في فصل «مواد الغسل الغسيل». لا يعد ذلك ضرورياً إلا في حالة استخدام برنامج غسل فقط أو غسل + تجفيف.

**6. تأخير توقيت بدء البرنامج.** لضبط البرنامج كي يعمل في وقت لاحق، انظر فصل «الخيارات والوظائف».

**7. بدء تشغيل برنامج.**  
اضغط زر بدء التشغيل / الإيقاف المؤقت. تضيء لمبة البيان المخصصة لذلك، وينغلق الباب وينطفئ رمز  فتح الباب. لتغيير البرنامج أثناء تشغيل دورة الغسل، اضغط زر بدء التشغيل/الإيقاف المؤقت لإيقاف الغسالة المجففة مؤقتاً (تومض لمبة بدء التشغيل/الإيقاف المؤقت باللون البرتقالي ببطء)، ثم اختر دورة التشغيل المطلوبة، واضغط على زر بدء التشغيل/الإيقاف المؤقت المؤقت مرة أخرى. لفتح الباب أثناء تشغيل الدورة، اضغط على زر بدء التشغيل/الإيقاف المؤقت، ينفتح الباب عند إضاءة  رمز فتح الباب. اضغط على زر بدء التشغيل/الإيقاف المؤقت مرة أخرى لبدء تشغيل البرنامج من اللحظة التي توقف عندها.

**8. إلغاء برنامج أثناء تشغيله (عند اللزوم)**  
اضغط مع الاستمرار على الزر  إلى أن تتوقف الغسالة المجففة. إذا كان مستوى الماء ودرجة حرارته منخفضين بما يكفي، يتحرر قفل الباب ويمكن فتحه..  
ويظل الباب مقفلاً في حالة وجود ماء في الحلة. لتحرير قفل الباب، قم بتشغيل الغسالة المجففة، واختر برنامج عصر + تفرغ "SPIN & DRAIN" وأوقف فعالية وظيفة العصر من خلال ضبط سرعة العصر على 0. يتم تفرغ الماء ويتحرر قفل الباب في نهاية البرنامج.

**9. إيقاف الغسالة المجففة في نهاية البرنامج.**  
في نهاية دورة التشغيل، تظهر الرسالة "END" على الشاشة. ولا يمكن فتح الباب إلا عند إضاءة رمز الباب . تأكد من إضاءة رمز تحرير قفل الباب، ثم افتح الباب وأخرج الغسيل.  
اضغط على الزر  لإيقاف الغسالة المجففة. ولتوفير الطاقة، إذا لم يتم إيقاف الغسالة المجففة يدوياً باستخدام الزر ، فسوف تنطفئ أوتوماتيكياً بعد حوالي 30 دقيقة من نهاية البرنامج.  
اترك الباب مفتوحاً لتجف الغسالة المجففة من الداخل.

## قواعد فصل الغسيل

- م نوع الأنسجة / تعليمات التيكت (القطن، ألياف مختلطة، ألياف صناعية، صوف، الملابس التي يتم غسلها يدويا)
- اللون (قم بفصل الملابس الملونة عن البيضاء، اغسل الملابس الملونة الجديدة بشكل منفصل)
- الحجم (اغسل الملابس مختلفة الأحجام في نفس دورة الغسيل، وذلك لتحسين كفاءة الغسيل وتوزيع القطع في الحلة)
- الملابس الرقيقة والحساسة (ضع القطع الصغيرة - مثل الجوارب النايلون- والملابس ذات السحابات - مثل السترات - في كيس غسيل أو غطاء وسادة بسحاب).

## تفريغ الجيوب

- أشياء مثل العملات المعدنية أو دبابيس الأمان قد تسبب أضرار للغسيل وحلة الغسالة.


## رموز الغسل

## على تيكت الملابس

القيمة المبينة على رمز حوض الاستحمام تعبر عن درجة الحرارة القصوى لغسل قطعة الملابس.

- عملية غسل عادي 
- عملية غسل خفيفة 
- عملية غسل خفيفة جدا 
- غسيل يدوي فقط 
- غير مناسب للغسل 

## قم بتنظيف فلتر الماء بشكل منتظم

يعد ذلك ضروريا لعدم انسداد الفلتر ومنع الماء من التصريف بشكل صحيح. انظر فصل «التنظيف والصيانة» / «تنظيف فلتر الماء» في الدليل التفصيلي الذي يمكن طلبه أو تنزيله من الموقع. 

## توفير الطاقة والحفاظ على البيئة

•يؤدي عدم تجاوز حدود كمية الغسيل المقررة في مخطط البرنامج إلى خفض استهلاك الطاقة والماء ومادة الغسل ويقلل من زمن الغسل.  
 •احرص على عدم تجاوز قيم مادة الغسل المقررة من قبل الجهة الصانعة لها.  
 •قم بتوفير الكهرباء باستخدام برنامج غسل ° 60 م بدلا من ° 90 م أو باستخدام ° 40 م بدلا من ° 60 م. نوصي باستخدام برنامج "Cotton" ° 60 م الإقتصادي» للملابس القطنية، وهو طويل ولكنه أقل استهلاكاً للطاقة.  
 •لتوفير الطاقة والوقت عند الغسل والتجفيف، اختر أعلى سرعة عصر متوفرة للبرنامج لتقليل الماء المتبقي في قطع الملابس بعد انتهاء دورة الغسل.

مادة الغسل الموصى بها		مواد الغسل والإضافات			المدة (الدقائق)	أقصى كمية لبورة التجفيف (كجم)	أقصى كمية لبورة الغسيل (كجم)	التجفيف	عدد لفات العصر القصوى (لقة/لغيفة)	درجات الحرارة المتاحة	البرنامج
سائل	مسحوق	منعم الملابس	الرئيسي	غسل أولي							
		☼	☐	☐							
✓	✓	○	●	—	6	9	✓	1400	90°- م*	☁️	COTTON (أقطان)
✓	✓	○	●	—	4	4,5	✓	1000	60°- م*	△	SYNTHETICS (ألياف صناعية)
✓		○	●	—	—	3,5	—	800	30°- م*	⚡	30 RAPID (سريع 30)
		—	—	—	—	2	—	—	—	☁️	STEAM REFRESH (تنشيط البخار)
✓		○	●	—	1	1	✓	1400	30°	☀️+☁️	WASH & DRY 45 (غسيل وتجفيف 45)
✓		○	●	—	2	2	✓	1200	30°	☀️+☁️	WASH & DRY 90 (غسيل وتجفيف 90)
		—	—	—	6	9	✓	1400	—	🌀	SPIN + DRY (عصر + تفرغ)
		—	—	—	—	9	—	0	—	🌀	DRY ONLY* (تفرغ فقط)
		○	—	—	6	9	✓	1400	—	🌀	RINSE + SPIN (شطف + عصر)
	✓	○	●	●	6	9	✓	1400	90°- م*	☁️+☐	COTTON + PREWASH (أقطان + غسل أولي)
✓	✓	○	●	—	6	9	✓	1400	60°- م*	☁️	COTTON (1) (أقطان، اقتصادي)
✓	✓	○	●	—	6	9	✓	1400	40°- م*	☁️	COTTON (2) (أقطان، اقتصادي)
✓		○	●	—	2	2	✓	800	40°- م*	🌀	WOOL (أصواف)
✓		○	●	—	1	1	✓	0	30°- م*	👉	DELICATES (حساس)
✓		○	●	—	6	9	✓	1400	40°- م*	👛	COLOURS (ألوان)
✓		○	●	—	4,5	4,5	✓	1400	40°- م*	☁️	MIXED (غسيل مختلط)

✓ متاح للاختيار/اختياري    — غير متاح للاختيار/مناسب    ● كمية مطلوبة    ○ كمية اختيارية

بالنسبة لبرامج الغسل التي تزيد درجة حرارتها على 50° م، نوصي باستخدام مسحوق تنظيف بدلا من السائل، مع الالتزام بالتعليمات المبينة على عبوة المسحوق.

\* اختر برنامج عصر + تفرغ (DRAIN & SPIN) واضبط سرعة العصر على 0 للتفرغ فقط.

(1) برنامج اختبار طبقا للمواصفة EN 50229: اختر البرنامج "Cotton" ذي درجة الحرارة 60° م.  
(2) برنامج الأقطان الطويل: اضبط البرنامج "Cotton" ذي درجة الحرارة 40° م.

برنامج الاختبار يتوافق مع المعيار EN 50229 (التجفيف): يجب تجفيف الحمولة الأكبر (6 كجم) عن طريق تحديد مستوى التجفيف [1]. يجب تجفيف باقي الحمولة عن طريق تحديد مستوى التجفيف [1]. يجب أن تتكون الحمولة من 3 ملاءة و 2 غطاء وسادة و 1 منشفة يد.

تعد مدة دورة التشغيل المبينة على الشاشة أو في الدليل مدة تقديرية محسوبة في الظروف القياسية. قد يختلف زمن دورة التشغيل الفعلي وفقا للعديد من العوامل المختلفة، مثل درجة حرارة وضغط الماء الداخل، درجة الحرارة المحيطة، كمية مادة الغسل، حجم ونوع كمية الغسيل، توازن كمية الغسيل والوظائف الإضافية الاختيارية المختارة.

اتبع الإرشادات المبينة في رموز غسل قطعة الملابس.

### COTTON-PREWASH (الأقطن مع الغسيل الأولي 90° م)

لغسل المناشف والملابس الداخلية ومفارش المائدة والأسرة، وغيرها ذات الاتساخات الشديدة والمصنوعة من القطن أو الكتان التي تحتاج إلى غسل أولي. اقتصر على استخدام مسحوق تنظيف في «حجيرة الغسل الرئيسية».

### COTTON (أقطن اقتصادي)

لغسل الملابس القطنية ذات الاتساخات العادية. برنامج 40° م و 60° م، هو برنامج الملابس القطنية القياسي وهو أكثر البرامج فعالية فيما يتعلق باستهلاك الماء والطاقة.

### WOOL الصوف - برنامج Woolmark Apparel Care أخضر:

تم اعتماد برنامج غسل الملابس الصوفية للغسالة ذات المجفف هذه من قبل شركة Woolmark لغسل الملابس الصوفية المحدد على التيكيت الخاص بها «لغسيل اليدوي فقط»، بشرط غسل تلك الملابس وفقا للتعليمات المبينة على التيكيت والتعليمات المقدمة من الجهة الصانعة للغسالة ذات المجفف.

(M1318)



### DELICATES (حساس)

لغسل الملابس شديدة الحساسية. من الأفضل قلب الملابس قبل غسلها.

### COLOURS (ألوان)

لغسل الملابس القطنية الملونة. هذا البرنامج مخصص للحفاظ على رونق الألوان حتى بعد تكرار الغسيل.

### MIXED الكمية المختلطة

لغسل قطع الملابس المطاطية خفيفة إلى متوسطة الاتساخ من القطن أو الكتان أو الألياف الصناعية والألياف المختلطة.

### COTTON (الأقطن 90° م)

لغسل المناشف والملابس الداخلية ومفارش المائدة والأسرة وغيرها ذات الاتساخات العادية حتى الشديدة والمصنوعة من القطن أو الكتان.

### SYNTHETICS (أنسجة صناعية)

لغسل الملابس ذات الاتساخات العادية المصنوعة من الألياف الصناعية (مثل البوليستر أو البولي أكريليك أو الفيسكوز، إلخ) أو الأقمشة القطنية/الصناعية المختلطة.

### RAPID 30 سريعة (دقيقة 30)

لغسل الملابس ذات الاتساخات الخفيفة بسرعة: تستمر دورة التشغيل هذه لمدة 30 دقيقة، وتتسم بتوفير الوقت والطاقة. الحمل الأقصى 4 كجم.

### STEAM REFRESH (تنشيط البخار)

لترطيب الملابس والتخلص من الروائح الكريهة وتلطيف الأنسجة من خلال تمرير البخار داخل الحلة. تكون قطع الملابس رطبة في نهاية دورة التشغيل.

### WASH & DRY 45 غسل وتجفيف (دقيقة 45)

لغسل وتجفيف الملابس المصنوعة من القطن أو الألياف الصناعية خفيفة الاتساخ بسرعة. تقوم دورة التشغيل هذه بغسل وتجفيف كمية الغسيل حتى 1 كجم في غضون 45 دقيقة فقط.

### WASH & DRY 90 غسل وتجفيف (دقيقة 90)

لغسل وتجفيف الملابس المصنوعة من القطن أو الألياف الصناعية بسرعة. تقوم دورة التشغيل هذه بغسل وتجفيف حمل الغسيل حتى 2 كجم في غضون 90 دقيقة فقط.

### SPIN & DRAIN عصر + تفريغ

تقوم بعصر الكمية وتصريف الماء. للملابس المطاطية.

### RINSE & SPIN شطف وعصر

تقوم بالشطف ثم العصر للملابس المطاطية.

## الخيارات والوظائف

يمكن اختيار الخيارات مباشرة من خلال الضغط على الزر المخصص لها

! إذا لم يكن الخيار المختار غير متوافق مع ضبط البرنامج، تصدر إشارة تحذير صوتية وتومض لمبة البيان 3 مرات. ولا يتم تفعيل الاختيار.

### DELAY START (بدء التشغيل اللاحق)

لضبط البرنامج المختار للبدء في وقت لاحق، اضغط على الزر لضبط زمن التأخير المرغوب. يضيء الرمز على الشاشة عند تفعيل هذه الوظيفة. لإلغاء بدء التشغيل اللاحق، اضغط على الزر مرة أخرى إلى أن تظهر القيمة "0" على الشاشة.

### قفل الأزرار

لقفل لوحة التحكم، اضغط مع الاستمرار على الزر "DRY ONLY" لمدة 3 ثوان. فيضئ الرمز على الشاشة لبيان قفل لوحة التحكم (باستثناء الزر التشغيل/الإيقاف). يمنع ذلك حدوث تغيير في البرامج، وخصوصا في وجود الأطفال بالقرب من الغسالة. عند محاولة استخدام لوحة التحكم هذه، يومض الرمز على الشاشة. لتحرير قفل لوحة التحكم، اضغط مع الاستمرار على الزر "DRY ONLY" لمدة 3 ثواني.

### COLOURS 15° (ألوان 15°)

يساهم هذا الخيار في الحفاظ على الألوان من خلال غسل الملابس بالماء البارد (15° م). يؤدي هذا الخيار إلى استهلاك أقل للطاقة لتسخين الماء مع الحفاظ على نتائج غسل جيدة. مناسب للملابس خفيفة الاتساخ غير المشتملة على بقع في البرنامج المختار سلفا.

ملاحظة يؤدي تحديد هذا الخيار مع برنامج "MIXED" إلى الحصول على نتائج غسل مماثلة لدورة غسل 40° م عند 15° م فقط.

طريقة استلام تعليمات الاستخدام  
< اتصل بخدمة ما بعد البيع  
< استخدم كود QR هذا



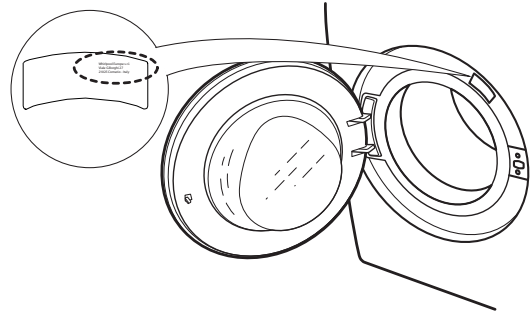
< تنزيل الدليل من على موقع Whirlpool  
<http://docs.whirlpool.eu>  
لعمل ذلك، يلزم إدخال الكود التجاري الصحيح للمنتج المبين على الملصق.

دليل الصيانة وتحري الأعطال  
انظر تعليمات الاستخدام للحصول على التعليمات الخاصة بإجراءات الصيانة  
وتحري الأعطال.



الملف الفني  
يمكن تنزيل الملف الفني المشتمل على معدلات استهلاك الطاقة من موقع شركة  
Whirlpool <http://docs.whirlpool.eu>

الاتصال بخدمة ما بعد البيع  
عند الاتصال بخدمة ما بعد البيع، ستحتاج إلى تقديم الأكواد المبينة على الملصق  
بالجانب الداخلي من الباب. رقم الهاتف مبين في كتيب الضمان.



تعتبر Whirlpool® علامة تجارية مسجلة لشركة Whirlpool، الولايات المتحدة الأمريكية.



  
SENSING THE DIFFERENCE

195136993.01

Printed in Italy

24