

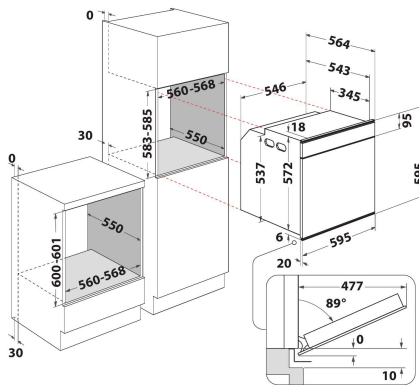
# AKPM 6580/IXL

12NC: 852565838110

GTIN (EAN) code: 8003437827563

Whirlpool

SENSING THE DIFFERENCE



## MAIN FEATURES

|                                       |               |
|---------------------------------------|---------------|
| Product group                         | Pećnica       |
| Commercial code                       | AKPM 6580/IXL |
| Main colour of product                | Inox          |
| Construction type                     | Ugradbeni     |
| Type of control                       | Mechanical    |
| Type of control settings              | -             |
| Brončana                              | Ne            |
| Which kind of hobs can be controlled? | -             |
| Automatic programmes                  | Ne            |
| Current (A)                           | 13            |
| Voltage (V)                           | 220-240       |
| Frequency (Hz)                        | 50            |
| Length of Electrical Supply Cord (cm) | 90            |
| Plug type                             | Ne            |
| Depth with open door 90 degree (mm)   | -             |
| Height of the product                 | 595           |
| Width of the product                  | 595           |
| Depth of the product                  | 564           |
| Minimum niche height                  | 0             |
| Minimum niche width                   | 0             |
| Niche depth                           | 0             |
| Net weight (kg)                       | 35.5          |
| Usable volume (of cavity)             | 73            |
| Integrated Cleaning system            | Ne            |
| Grids of the cavity                   | 2             |
| Trays                                 | 1             |

## TECHNICAL FEATURES

|   |            |
|---|------------|
| Timer                                     | -          |
| Time control                              | Mechanical |
| Time-setting options                      | Stop       |
| Safety device                             | -          |
| Interior light                            | Yes        |
| Number of interior lights of the cavity   | 1          |
| Position of interior lights of the cavity | Rear       |
| Oven guides of the cavity                 | Grids      |
| Probe of the cavity                       | Ne         |

## ENERGY LABEL

|   |           |
|---|-----------|
| Energy input  | Electric  |
| Type of energy of the cavity  | Electrică |
| Energy efficiency class - NEW (2010/30/EU)                            | A         |
| Energy consumption per cycle conventional - NEW (2010/30/EU)          | 0.91      |
| Energy consumption per cycle forced air convection - NEW (2010/30/EU) | 0.91      |