

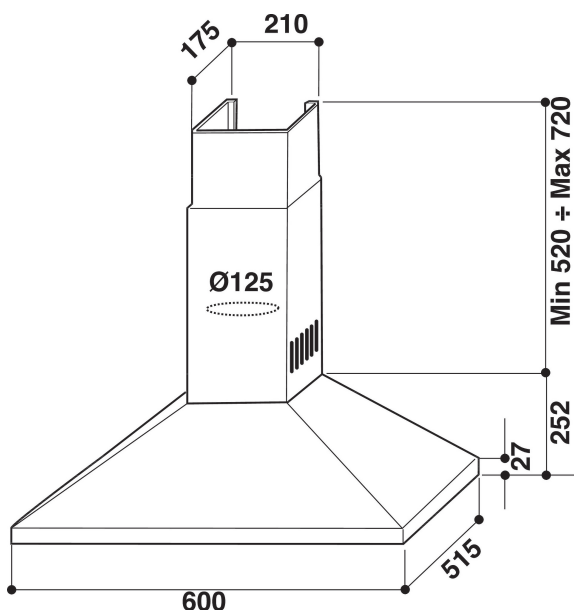
AKR 551 NA

12NC: 857855101000

GTIN (EAN) code: 8003437974366

Whirlpool

SENSING THE DIFFERENCE



MAIN FEATURES

Product group	SPORÁKOVÉ ODSAVAČE PAR
Colour body	Anthracite
Material body	Metal
Colour chimney	-
Material chimney	-
Typology	Wall-mounted
Installation type	Wall-mounted
Type of control	Mechanical
Type of control settings	-
Decor panel options	N/A
Motor location	Integrated motor in hood body
Operating Mode	Convertible
Electrical connection rating (W)	206
Current (A)	0,9
Voltage (V)	220-240
Frequency (Hz)	50/60
Length of Electrical Supply Cord (cm)	-
Plug type	Europlug
Chimney height (mm)	320-520
Height of product, without chimney (mm)	262
Height of the product	720
Width of the product	600
Depth of the product	515
Minimum niche height	0
Minimum niche width	0
Niche depth	0
Net weight (kg)	13

TECHNICAL FEATURES

Type of manual control devices	Slider
Type of automatic control devices	-
Number of motors	1
Total power of the motors (W)	150
Number of speed settings: boost option availability	3
Boost presence	Ne
Maximum output air extraction (m ³ /h)	372
Boost position air extraction (m ³ /h)	0
Maximum output recirculating air (m ³ /h)	217
Boost position output recirculating (m ³ /h)	0
Light Control Type	On/Off
Number of lights	2
Type of lamps used	Halogen
Total power of the lamps (W)	56
Diameter of air outlet (mm)	125
No-return airflow flap	Ne
Grease filter material	Washable aluminium
Odour filter	Ne

ENERGETICKÝ ŠTÍTEK

Sound power at min. speed (2010/30/EU)	61
Sound power at max. speed (2010/30/EU)	69
Noise level with boost position (dB(A) re 1 pW)	0