

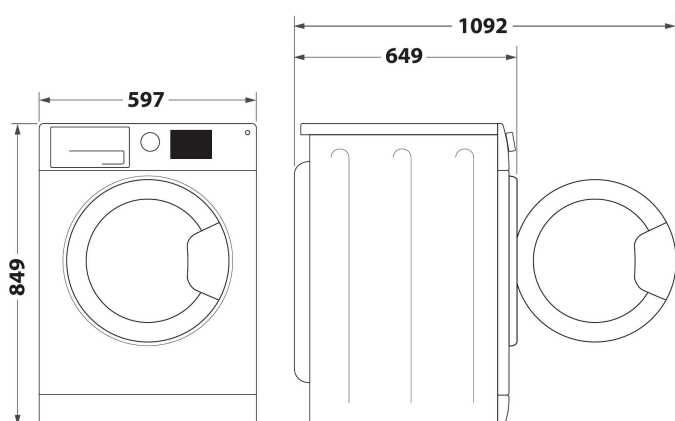
FFT M11 9X2Y UK

12NC: 859991641450

GTIN (EAN) code: 8003437627934

Whirlpool

SENSING THE DIFFERENCE



- Energy class A++
- Drying capacity: 9,0 kg
- White finishing
- 6TH Sense Technology
- Heat pump technology
- FreshCare+
- Start delay 1-24h
- Drying time
- Delicates
- Adjustable dryness levels
- Rapid program
- Eco Cotton
- Wool
- Mixed Fabrics Program
- Special big items
- Jeans
- Sport

Whirlpool heat pump tumble dryer: freestanding, 9,0kg - FFT M11 9X2Y UK

This Whirlpool freestanding Tumble Dryer features: outstanding 9,0kg drum capacity, so you will never run out of space. Exclusive 6th SENSE technology that constantly monitors the moisture in the drum, protecting your clothes and providing ideal drying results. Heat pump technology that effectively re-heats the air in the appliance, significantly reducing energy consumption.



Quiet

This Whirlpool Dryer is designed to produce limited noise output.



6th Sense

6th Sense automatically detects the amount of laundry and sets the right drying cycle time, guaranteeing the desired dryness level, with time and energy optimization.



FreshCare+

Keep your garments fresh up to 6 hours after the cycle is over*. Innovative FreshCare+ system takes care of your garments inside the dryer thanks to intelligent delicate temperature control and delicate tumbling action that keep garments fresh and prevent bad odours. FreshCare+ treatment leaves truly fresher clothes and peace of mind - even hours after the end of the cycle. *FreshCare+ treatment inhibits the proliferation of the main bad odour sources (inside the dryer) up to 6 hours after the drying ends. Not compatible with programmes designed for delicate garments and with extra and cupboard drying levels.



9kg capacity

All the space you need. With an outstanding 9kg drum capacity, this Whirlpool Dryer provides all the space you need for your laundry.



Energy Class A++

Highly energy efficient With its A++ energy rating, this Whirlpool Dryer will allow you to enjoy both ideal results and very low energy consumption.



User interface standard

This Whirlpool Dryer features a standard, user-friendly control interface.



Inverter Motor

A highly energy efficient motor working at variable speed, allowing more advanced performances and thus special care for fibers.



Heatpump

Outstanding energy efficiency. By using a heat pump rather than a conventional heating element, you can achieve the same drying results at lower temperatures: 40°C on average, rather than 60°C.

FFT M11 9X2Y UK

12NC: 859991641450

GTIN (EAN) code: 8003437627934

Whirlpool

SENSING THE DIFFERENCE

MAIN FEATURES

Product group	Dryer
Commercial code	FFT M11 9X2Y UK
GTIN (EAN) code	8003437627934
Construction type	Free-standing
Installation type	Free-standing
Removable work top	No
Loading type	Front loader
Main colour of product	White
Electrical connection rating (W)	850
Current (A)	10
Voltage (V)	220-240
Frequency (Hz)	50
Length of Electrical Supply Cord (cm)	150
Plug type	UK
Height of the product	849
Width of the product	597
Depth of the product	649
Depth with open door 90 degree (mm)	1092
Net weight (kg)	48.5

TECHNICAL FEATURES

Automatic programmes	No
Moisture monitoring system	Yes
Adjustable drying temperature	No
Progress indicator	Yes
Digital countdown indicator	Yes
Start delay options	One time fixed
Start delay time max. (h)	24
Blocked filter indicator	No
Full tank indicator	Yes
Quick dry	No
Anti-crease function	Yes
Drum volume (l)	120

PERFORMANCES

Energy efficiency class - NEW (2010/30/EU)	A++
Condensation efficiency class - NEW (2010/30/EU)	B
Energy consumption electric dryer, full load - NEW (2010/30/EU)	2,12
Weighted condensation efficiency	81
Weighted annual energy consumption, electric dryer - NEW (2010/30/EU)	259
Capacity cotton (kg) - NEW (2010/30/EU)	9,0
Dryer type	Condenser
Noise level (dB(A) re 1 pW)	64
Standard cotton programme time at full load	250
Standard cotton programme time at partial load	160
Weighted programme time	199
Power consumption in left-on mode - NEW (2010/30/EU)	2,00
Duration of the left-on mode - NEW (2010/30/EU)	15
Power consumption in off-mode - NEW (2010/30/EU)	0,50

ENERG Y IJA
IE IA

WHIRLPOOL
FFT M11 9X2Y UK

A+++
A++
A+
A
B
C
D

A++

259
kWh/annum

ENERGIA · ΕΝΕΡΓΙΑ · ENERGIA
ENERGIJA · ENERGY · ENERGIE
ENERGI

250
min/cycle*

9,0
kg

64
dB

ABCDEFG

* λικνση - ciklus · portion · zklus
toploznost - ciklo · tsakket
ohjelma · ciklus · ciklas · cikls
ciklu · cyclus · cykl · ciclu
program · tsakmgling

392/2012