

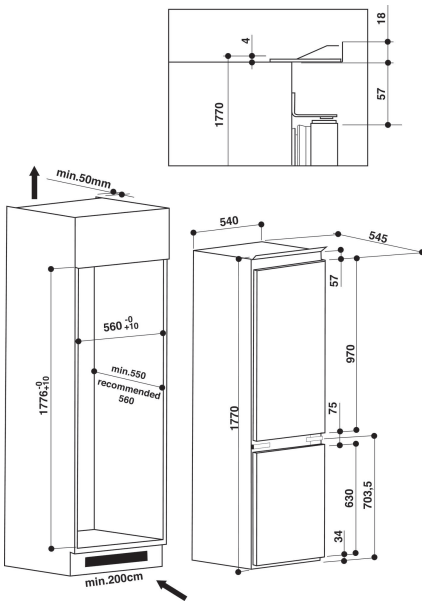
ART 8811/A++

12NC: 856444110000

EAN code: 8003437039973

Whirlpool

SENSING THE DIFFERENCE



MAIN FEATURES

| Product group | Kombinovaná chladnička s mrazničkou |
|---------------------------------------|-------------------------------------|
| Installation type | Vstavaná |
| Type of control | Electronic |
| Construction type | Vstavaná |
| Main colour of product | Nerez |
| Connection rating (W) | 140 |
| Current (A) | 16 |
| Voltage (V) | 220-240 |
| Frequency (Hz) | 50 |
| Number of compressors | 1 |
| Length of Electrical Supply Cord (cm) | 245 |
| Plug type | Schuko |
| Total unit net capacity (l) | 275 |
| Star Rating | 4 |
| Height of the product | 1770 |
| Width of the product | 540 |
| Depth of the product | 545 |
| Maximum adjustability feet | 0 |
| Net weight (kg) | 50.60 |

TECHNICAL FEATURES

| | |
|---|--------------------|
| Defrost process fridge section | Automatic |
| Defrost process freezer section | Manual |
| Fast cooling switch | Nie |
| Fast freezing function | Áno |
| Door opened indicator freezer | Nie |
| Temperature adjustable | Áno |
| Temperature adjustable freezer | Áno |
| Interior ventilator fridge section | Áno |
| Number of freezing drawers | 3 |
| Automatic motor-driven ice-maker | N/A |
| Number of shelves in fridge compartment | 5 |
| Material of the shelves | Glass With Profile |
| Thermometer fridge section | None |
| Thermometer freezer section | None |
| Number of temperature zones | 2 |

ENERGETICKÝ ŠTÍTK

| | |
|--|------|
| Energy efficiency class - NEW (2010/30/EC) | A++ |
| Energy consumption annual (kWh/annum) - NEW (2010/30/EC) | 235 |
| Refrigerator Net capacity (l) - NEW (2010/30/EC) | 195 |
| Freezer Net capacity (l) - NEW (2010/30/EC) | 80 |
| Freezing capacity (kg/24h) - NEW (2010/30/EC) | 6 |
| Climate class | SN-T |
| Noise level (dB(A) re 1 pW) | 35 |
| Frost free system | Nie |