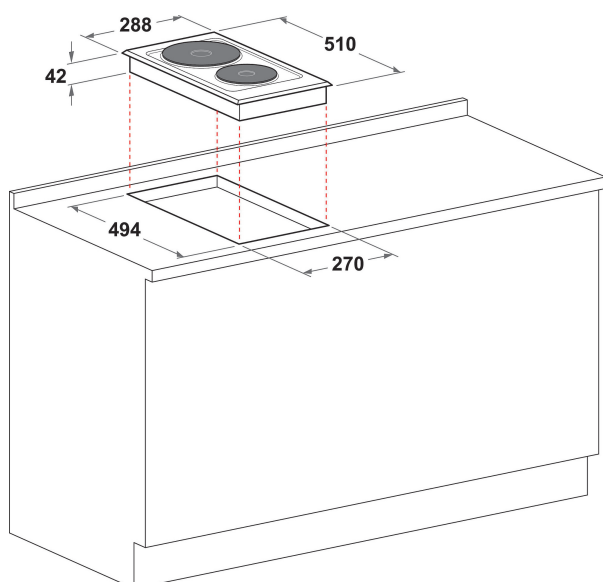


E320SKIX

12NC: F078199

GTIN (EAN) code: 5016108781999

Hotpoint



MAIN FEATURES

Product group	Hob
Construction type	Built-in
Type of control	Mechanical
Type of control settings	Knob
Number of gas burners	0
Number of electric cooking zones	2
Number of electric plates	2
Number of radiant plates	0
Number of halogen plates	0
Number of induction plates	0
Number of electric warming zones	0
Location of control panel	Front
Basic surface material	Stainless steel
Main colour of product	Inox
Electrical connection rating (W)	3500
Gas connection rating (W)	0
Gas type	-
Current (A)	15,2
Voltage (V)	230
Frequency (Hz)	50/60
Length of Electrical Supply Cord (cm)	100
Plug type	No
Gas connection	N/A
Width of the product	298
Height of the product	30
Depth of the product	510
Minimum niche height	0
Minimum niche width	268
Niche depth	490
Net weight (kg)	6
Automatic programmes	No

TECHNICAL FEATURES

Power on indicator	Yes
Number of indicators	2
Type of regulation	-
Type of lid	Without
Residual heat indicator	Without
Main on/off switch	No
Safety device	No
Timer	No

PERFORMANCES

Energy input	Electric
--------------	----------