

## SAFETY INSTRUCTIONS

Download the complete instruction manual <http://docs.whirlpool.eu> or call the phone number shown on the warranty booklet.

⚠ These instructions are valid if the country symbol appears on the appliance. If the symbol doesn't appear on the appliance, it is necessary to refer to the technical instructions which will provide the necessary instructions concerning modification of the appliance to the conditions of use of the country.

⚠ CAUTION: The use of the gas cooking appliance results in the production of heat, moisture and products of combustion in the room in which it is installed. Ensure that the kitchen is well ventilated especially when the appliance is in use: keep natural ventilation holes open or install a mechanical ventilation device (mechanical extractor hood). Prolonged intensive use of the appliance may call for additional ventilation, such as opening a window, or more effective ventilation, for example increasing the level of mechanical ventilation (if possible).

⚠ Failure to follow the information in this manual exactly may cause a fire or explosion, resulting in property damage or personal injury.

Before using the appliance, read these safety instructions. Keep them nearby for future reference.

These instructions and the appliance itself provide important safety warnings, to be observed at all times. The manufacturer declines any liability for failure to observe these safety instructions, for inappropriate use of the appliance or incorrect setting of controls.

⚠ WARNING: If the hob surface is cracked, don't use the appliance – risk of electrical shock.

⚠ WARNING: Danger of fire: Do not store items on the cooking surfaces.

⚠ CAUTION: The cooking process has to be supervised. A short cooking process has to be supervised continuously.

⚠ WARNING: Unattended cooking on a hob with fat or oil can be dangerous – risk of fire. NEVER try to extinguish a fire with water, but switch off the appliance and then cover flame e.g. with a lid or a fire blanket.

⚠ Do not use the hob as a work surface or support. Keep clothes or other flammable materials away from the appliance, until all the components have cooled down completely – risk of fire.

⚠ Very young children (0-3 years) should be kept away from the appliance. Young children (3-8 years) should be kept away from the appliance unless continuously supervised. Children from 8 years old and above and persons with reduced physical, sensory or mental capabilities or lack of experience and knowledge can use this appliance only if they are supervised or have been given instructions on safe use and understand the hazards involved. Children must not play with the appliance. Cleaning and user maintenance must not be carried out by children without supervision.

## IMPORTANT TO BE READ AND OBSERVED

⚠ CAUTION: In case of hotplate glass breakage: shut immediately off all burners and any electrical heating element and isolate the appliance from the power supply; do not touch the appliance surface; do not use the appliance.

The glass lid can break in if it is heated up. Turn off all the burners and the electric plates before closing the lid. Do not shut down lid when burner alight.

⚠ WARNING: The appliance and its accessible parts become hot during use. Care should be taken to avoid touching heating elements. Children less than 8 years of age must be kept away unless continuously supervised.

### PERMITTED USE

⚠ CAUTION: the appliance is not intended to be operated by means of an external switching device, such as a timer, or separate remote controlled system.

⚠ This appliance is intended to be used in household and similar applications such as: staff kitchen areas in shops, offices and other working environments; farm houses; by clients in hotels, motels, bed & breakfast and other residential environments.

⚠ No other use is permitted (e.g. heating rooms).

⚠ This appliance is not for professional use. Do not use the appliance outdoors.

⚠ Use pots and pans with bottoms the same width as that of the burners or slightly larger (see specific table). Make sure pots on the grates do not protrude beyond the edge of the hob.

⚠ Improper use of the grids can result in damage to the hob: do not position the grids upside down or slide them across the hob.

Do not let the burner flame extend beyond the edge of the pan.

If the hob surface is in glass material, do not use the cast iron griddles, ollar stones, terracotta pots and pans.

Do not use: heat diffusers such as metal mesh, or any other types; two burners simultaneously for one receptacle (e.g. Fish kettle).

Should particular local conditions of the delivered gas make the ignition of burner difficult, it is advisable to repeat the operation with the knob turned to small flame setting.

In case of installation of a hood above the cooktop, please refer to the hood instructions for the correct distance.

The protective rubber feet on the grids represent a choking hazard for young children. After removing the grids, please ensure that all the feet are correctly fitted.

### INSTALLATION

⚠ The appliance must be handled and installed by two or more persons - risk of injury. Use protective gloves to unpack and install - risk of cuts.

⚠ The electrical and gas connections must comply with local regulation.

⚠ Installation, including water supply (if any) and electrical connections, and repairs must be carried out by a qualified technician. Do not repair or replace any part of the appliance unless specifically stated in the user manual. Keep children away from the installation site. After unpacking the appliance, make sure that it has not been damaged during transport. In the event of problems, contact the dealer or your nearest After-sales Service. Once installed, packaging waste (plastic,

styrofoam parts etc.) must be stored out of reach of children - risk of suffocation. The appliance must be disconnected from the power supply before any installation operation - risk of electrical shock. During installation, make sure the appliance does not damage the power cable - risk of fire or electrical shock. Only activate the appliance when the installation has been completed.

⚠ **WARNING:** Modification of the appliance and its method of installation are essential in order to use the appliance safely and correctly in all the additional countries.

⚠ Use pressure regulators suitable for the gas pressure indicated in the instruction.

⚠ The room must be equipped with an air extraction system that expels any combustion fumes.

⚠ The room must also allow proper air circulation, as air is needed for combustion to occur normally. The flow of air must not be less than 2 m<sup>3</sup>/h per kW of installed power.

⚠ The air circulation system may take air directly from the outside by means of a pipe with an inner cross section of at least 100 cm<sup>2</sup>; the opening must not be vulnerable to any type of blockages.

⚠ The system can also provide the air needed for combustion indirectly, i.e. from adjacent rooms fitted with air circulation tubes as described above. However, these rooms must not be communal rooms, bedrooms or rooms that may present a fire hazard.

⚠ Liquid petroleum gas sinks to the floor as it is heavier than air. Therefore, rooms containing LPG cylinders must also be equipped with vents to allow gas to escape in the event of a leak. As a result LPG cylinders, whether partially or completely full, must not be installed or stored in rooms or storage areas that are below ground level (cellars, etc.). It is advisable to keep only the cylinder being used in the room, positioned so that it is not subject to heat produced by external sources (ovens, fireplaces, stoves, etc.) which could raise the temperature of the cylinder above 50°C.

Should you experience difficulty in turning the burner knobs, please contact After Sales Service for replacement of the burner tap if found to be faulty. The openings used for the ventilation and dispersion of heat must never be covered.

⚠ Carry out all cabinet cutting works before fitting the appliance in the furniture and remove all wood chips and sawdust.

⚠ If the appliance is not installed above an oven, a separator panel (not included) must be installed in the compartment under the appliance.

### **GAS CONNECTION**

⚠ **WARNING:** Prior to installation, ensure that the local distribution conditions (type of gas and gas pressure) and the adjustment of the appliance are compatible.

⚠ Check that the pressure of the gas supply is consistent with the values indicated in "Burner and nozzle specifications" table.

⚠ **WARNING:** The configuration conditions for this appliance are stated on the label (or data plate).

⚠ **WARNING:** This appliance is not connected to a combustion products evacuation device. It must be installed and connected in accordance with current installation regulations. Particular attention must be paid to the relevant requirements regarding ventilation.

⚠ If the appliances is connected to liquid gas, the regulation screw must be fastened as tightly as possible.

⚠ **IMPORTANT:** When the gas cylinder or gas container is installed, it must be properly settled (vertical orientation).

⚠ **WARNING:** This operation must be performed by a qualified technician.

⚠ Use only flexible or rigid metal hose for gas connection.

⚠ Connection with a rigid pipe (copper or steel) Connection to the gas system must be carried out in such a way as not to place any strain of any kind on the appliance. There is an adjustable L-shaped pipe fitting on the appliance supply ramp and this is fitted with a seal in order to prevent leaks. The seal must always be replaced after rotating the pipe fitting (the seal is provided with the appliance). The gas supply pipe fitting is a threaded 1/2 gas cylindrical male attachment.

⚠ Connecting a flexible jointless stainless steel pipe to a threaded attachment. The gas supply pipe fitting is a threaded 1/2 gas cylindrical male attachment. These pipes must be installed so that they are never longer than 2000 mm when fully extended. Once connection has been carried out, make sure that the flexible metal pipe does not touch any moving parts and is not compressed. Only use pipes and seals that comply with current National regulations.

⚠ **IMPORTANT:** If a stainless steel hose is used, it must be installed so as not to touch any mobile part of the furniture (e.g. drawer). It must pass through an area where there are no obstructions and where it is possible to inspect it on all its length.

⚠ The appliance should be connected to the main gas supply or to gas cylinder in compliance with the current national regulations. Before making the connection, make sure that the appliance is compatible with the gas supply you wish to use. If this is not the case, follow the instructions indicated in the paragraph "Adapting to different types of gas".

⚠ After connection to the gas supply, check for leaks with soapy water. Light up the burners and turn the knobs from max position 1\* to minimum position 2\* to check flame stability.


### **ADAPTING TO DIFFERENT TYPES OF GAS**


(This operation needs to be carried out by a qualified technician).


⚠ In order to adapt the appliance to a type of gas other than the type for which it was manufactured (indicated on the rating label), follow the dedicated steps provided after installation drawings.


---


## ELECTRICAL WARNINGS

 **IMPORTANT:** Information about current and voltage consumption is provided on the rating plate.


 It must be possible to disconnect the appliance from the power supply by unplugging it if plug is accessible, or by a multi-pole switch installed upstream of the socket in accordance with the wiring rules and the appliance must be earthed in conformity with national electrical safety standards.


 The power cable must be long enough to connect the appliance, once fitted in its housing, to the main power supply. Do not pull the power supply cable.


 Do not use extension leads, multiple sockets or adapters. The electrical components must not be accessible to the user after installation. Do not use the appliance when you are wet or barefoot. Do not operate this appliance if it has a damaged power cable or plug, if it is not working properly, or if it has been damaged or dropped.

 If the supply cord is damaged, it must be replaced with an identical one by the manufacturer, its service agent or similarly qualified persons in order to avoid a hazard - risk of electrical shock.


## CLEANING AND MAINTENANCE

 **WARNING:** Ensure that the appliance is switched off and disconnected from the power supply before performing any maintenance operation; never use steam cleaning equipment - risk of electric shock.

 Do not use abrasive or corrosive products, chlorine-based cleaners or pan scourers.

 To avoid damaging the electric ignition device, do not use it when the burners are not in their housing.

## DISPOSAL OF PACKAGING MATERIALS


The packaging material is 100% recyclable and is marked with the recycle symbol .

The various parts of the packaging must therefore be disposed of responsibly and in full compliance with local authority regulations governing waste disposal.

## DISPOSAL OF HOUSEHOLD APPLIANCES

This appliance is manufactured with recyclable or reusable materials. Dispose of it in accordance with local waste disposal regulations. For further information on the treatment, recovery and recycling of household electrical appliances, contact your local authority, the collection service for household waste or the store where you purchased the appliance. This appliance is marked in compliance with European Directive 2012/19/EU, Waste Electrical and Electronic Equipment (WEEE) and with the Waste Electrical and Electronic Equipment regulations 2013 (as amended).

By ensuring this product is disposed of correctly, you will help prevent negative consequences for the environment and human health.

The symbol  on the product or on the accompanying documentation indicates that it should not be treated as domestic waste but must be taken to an appropriate collection center for the recycling of electrical and electronic equipment.

## ENERGY SAVING TIPS

Use pots and pans with bottom width equal to that of the cooking zone.

Only use flat-bottomed pots and pans.

When possible, keep pot lids on during cooking.

Use a pressure cooker to save even more energy and time.

## DECLARATION OF CONFORMITY

This appliance meets Ecodesign requirements of European Regulation 66/2014 and The Ecodesign for Energy-Related Products and Energy Information (Amendment) (EU Exit) Regulations 2019 in compliance with the European standard EN 30-2-1.

---

**BURNER AND NOZZLE SPECIFICATIONS**
**CATEGORY I12H3+**

Type of gas used	Type of burner	Injector marking	Rated thermal flow rate kW	Rated consumption	Reduced heat capacity kW	Gas pressure mbar		
						min.	rat.	max.
NATURAL GAS (Methane) <b>G20</b>	Rapid (R)	128 B	3,00	286 l/h	0,70	17	20	25
	Semi-rapid (SR)	97	1,75	167 l/h	0,40			
	Auxiliary (AUX)	78 A	1,00	95 l/h	0,40			
	2 ring (DC)	141	4,00	381 l/h	2,20			
LIQUEFIED PETROLEUM GAS (Butane) <b>G30</b>	Rapid (R)	87	3,00	218 g/h	0,70	20	28-30	35
	Semi-rapid (SR)	67	1,75	127 g/h	0,40			
	Auxiliary (AUX)	50	1,00	73 g/h	0,40			
	2 ring (DC)	94	3,70	269 g/h	2,20			
LIQUEFIED PETROLEUM GAS (Propane) <b>G31</b>	Rapid (R)	87	3,00	214 g/h	0,70	25	37	45
	Semi-rapid (SR)	67	1,75	125 g/h	0,40			
	Auxiliary (AUX)	50	1,00	71 g/h	0,40			
	2 ring (DC)	94	3,70	264 g/h	2,20			

Type of gas used	Model configuration 5 BURNERS	Rated thermal flowrate (kW)	Total rated consumption	Air required (m <sup>3</sup> ) for burning 1m <sup>3</sup> of gas
<b>G20</b> 20 mbar	1R - 2SR - 1AUX - 1DC	11,50	1095 l/h	9,52
<b>G30</b> 28-30 mbar	1R - 2SR - 1AUX - 1DC	11,20	814 g/h	30,94
<b>G31</b> 37 mbar	1R - 2SR - 1AUX - 1DC	11,20	800 g/h	23,80

**ELECTRIC SUPPLY: 220-240 V ~ 50-60 Hz - 0,6W**
**BURNER AND NOZZLE SPECIFICATIONS MT**
**CATEGORY I12H3B/P**

Type of gas used	Type of burner	Injector marking	Rated thermal flow rate kW	Rated consumption	Reduced heat capacity kW	Gas pressure mbar		
						min.	rat.	max.
NATURAL GAS (Methane) <b>G20</b>	Rapid (R)	128 B	3,00	286 l/h	0,70	17	20	25
	Semi-rapid (SR)	97	1,75	167 l/h	0,40			
	Auxiliary (AUX)	78 A	1,00	95 l/h	0,40			
	2 ring (DC)	141	4,00	381 l/h	2,20			
LIQUEFIED PETROLEUM GAS (Butane) <b>G30</b>	Rapid (R)	87	3,00	218 g/h	0,70	20	30	35
	Semi-rapid (SR)	67	1,75	127 g/h	0,40			
	Auxiliary (AUX)	50	1,00	73 g/h	0,40			
	2 ring (DC)	94	3,70	269 g/h	2,20			
LIQUEFIED PETROLEUM GAS (Propane) <b>G31</b>	Rapid (R)	87	3,00	214 g/h	0,70	20	30	35
	Semi-rapid (SR)	67	1,75	125 g/h	0,40			
	Auxiliary (AUX)	50	1,00	71 g/h	0,40			
	2 ring (DC)	94	3,70	264 g/h	2,20			

Type of gas used	Model configuration 5 BURNERS	Rated thermal flowrate (kW)	Total rated consumption	Air required (m <sup>3</sup> ) for burning 1m <sup>3</sup> of gas
<b>G20</b> 20 mbar	1R - 2SR - 1AUX - 1DC	11,50	1095 l/h	9,52
<b>G30</b> 30 mbar	1R - 2SR - 1AUX - 1DC	11,20	814 g/h	30,94
<b>G31</b> 30 mbar	1R - 2SR - 1AUX - 1DC	11,20	800 g/h	23,80

**ELECTRIC SUPPLY: 220-240 V ~ 50-60 Hz - 0,6W**

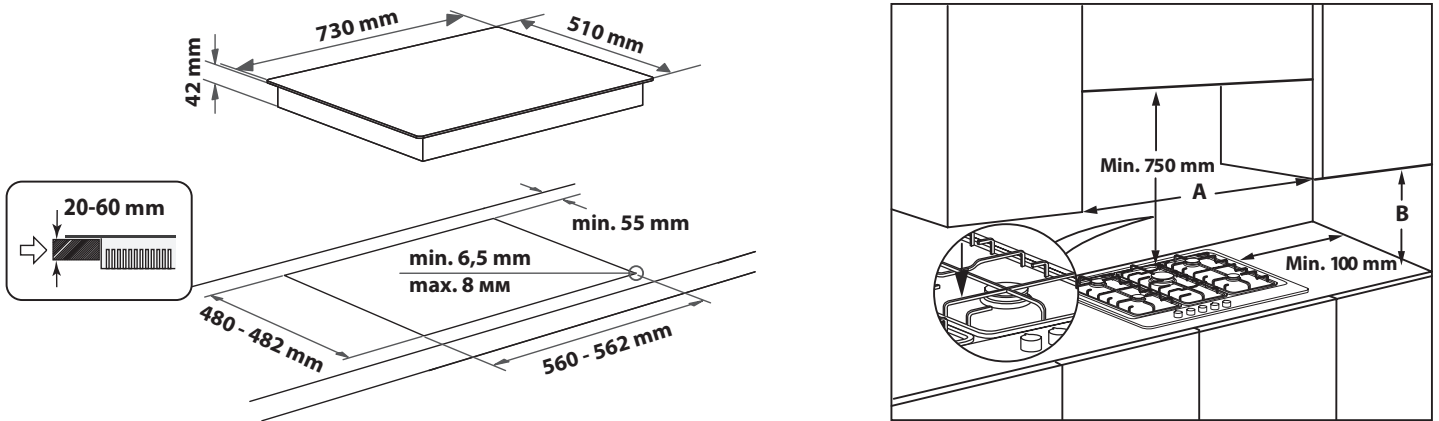



## INSTALLATION (CLASS 3)

### TECHNICAL INFORMATION FOR THE INSTALLER

- Use protective gloves for handling, preparing, and installing the product.
- This product can be embedded in a worktop 20 ÷ 60 mm thick.
- If there is no oven beneath the hob, insert a separator panel with a surface at least equal to the work surface's opening. This panel must be positioned at a maximum distance of 150 mm below the upper surface of the work surface but, in no case less than 20 mm from the bottom of the hob. In case you intend to install an oven beneath the hob, make sure that it is equipped with a cooling system.

### DIMENSIONS AND DISTANCES TO BE MAINTAINED



**NOTE:** If distance "A" between the kitchen cabinets is between 600 mm and 730 mm, height "B" must be at least 530 mm.  
If distance "A" between the kitchen cabinets is greater than the width of the hob, height "B" must be at least 400 mm.  
If a hood is installed above the hob, refer to the assembly instructions for the hood to see the necessary distance.

### ASSEMBLY

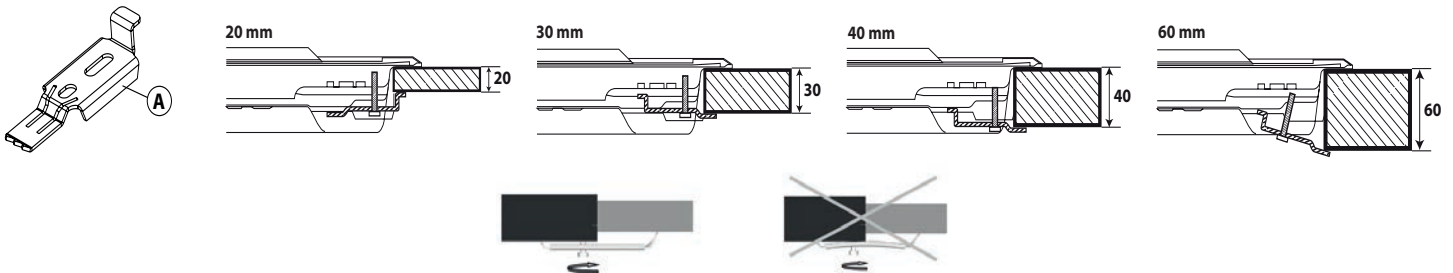
After cleaning the perimeter surface, apply the supplied gasket to the hob as shown in the figure.

Position the hob in the worktop opening made respecting the dimensions indicated in the Instruction.



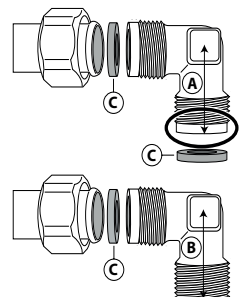
**NOTE:** the power supply cable must be long enough to permit its upward extraction.

To secure the hob, use the brackets (A) provided with it. Fit the brackets into the relevant bores shown by the arrow and fasten them by means of their screws in accordance with the thickness of the worktop (see the following figures).

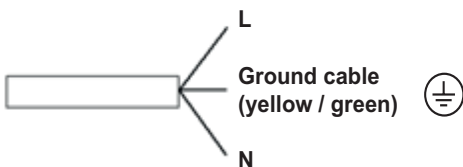


### GAS CONNECTION

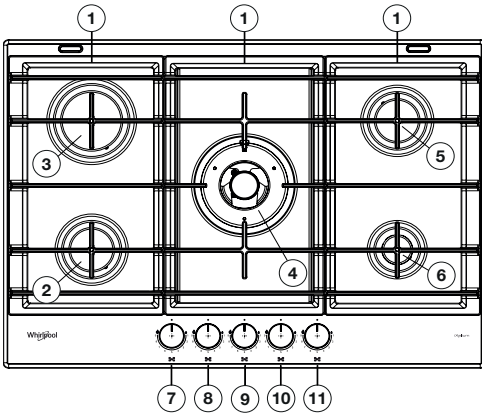
- Connect elbow (A)\* or (B)\* supplied with to the hob inlet main pipe and interpose the washer (C) supplied, in compliance with EN 549.
- \* Use elbow (A) for France and elbow (B) for all other destinations.
- After connection to the gas supply, check for leaks with soapy water. Light up the burners and turn the knobs from max position (clockwise) to minimum position (counter-clockwise) to check flame stability.



### ELECTRICAL CONNECTION



# PRODUCT DESCRIPTION



1. Removable panstand grids
2. Semi-rapid burner
3. Rapid burner
4. 2 Ring burner
5. Semi-rapid burner
6. Auxiliary burner
7. Semi-rapid burner control knob
8. Rapid burner control knob
9. 2 Ring burner control knob
10. Semi-rapid burner control knob
11. Auxiliary burner control knob

## Symbols

- Shaded circle ● Tap closed
- Large flame 🔥 Maximum opening/delivery and electric ignition
- Small flame 🔥 Minimum opening or reduced delivery

# DAILY USE

## HOW TO USE THE HOB

⚠ Do not let the burner flame extend beyond the edge of the pan.

**IMPORTANT: when the hob is in use, the entire hob area may become hot.**

- To ignite one of the burners, turn the relative knob anti-clockwise to the maximum flame setting.
- Press the knob against the control panel to ignite the burner.
- After the burner has ignited, keep the knob pressed for about 5-10 seconds to allow proper device operation.
- This burner safety device shuts off the gas supply to the burner if the flame goes out accidentally (because of sudden draught, an interruption in the gas delivery, boiling over liquids, etc.).
- **The knob must not be pressed for more than 15 sec. If, after that time has elapsed, the burner does not remain lit, wait at least one minute before trying to light it again.**

**NOTE: should particular local conditions of the delivered gas make the ignition of burner difficult, it is advisable to repeat the operation with the knob turned to the small flame setting.**

**The burner might go out when the knob is released.** This means that the safety device has not warmed up enough. In this case, repeat the operations described above.

If the burner flame is accidentally extinguished, switch off the burner control and do not try to ignite for at least 1 minute.

## PRACTICAL ADVICE FOR USING THE BURNERS

This hob has burners of different diameters. For better burner performance, please stick to the following rules:

- use pots and pans with bottoms the same width as that of the burners or slightly larger (see table on the right);
- only use flat-bottomed pots and pans;
- use the correct amount of water for cooking foods and keep the pot covered;
- make sure pots on the grates do not protrude beyond the edge of the hob;
- In the case of pans with convex bottoms (WOK), use the support grille (not provided), which should be positioned only on the multi-ring burner;
- avoid accidentally knocking the hob with pans, racks or other kitchen utensils;
- do not leave empty steak grills over the lit burner for longer than 5 minutes.

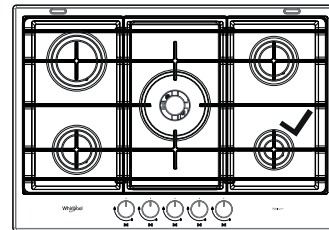
**IMPORTANT: improper use of the grids can damage the hob: do not position the grids upside down or slide them across the hob.**

BURNER	POT Ø
2 Ring	From 24 to 26 cm
Rapid	From 24 to 26 cm
Semi-rapid	From 16 to 22 cm
Auxiliary	From 8 to 14 cm

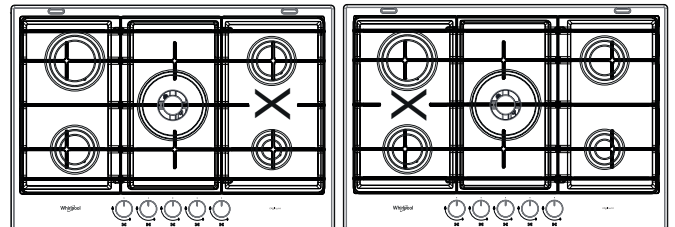
Do not use:

- cast iron griddles, ollar stones, terracotta pots, and pans;
- heat diffusers such as metal mesh, or any other types;
- two burners simultaneously for one receptacle (e.g., fish kettle).

## CORRECT POSITIONING OF THE GRIDS



OK



NO

NO

## ADAPTING TO DIFFERENT TYPES OF GAS

⚠ This operation must be performed by a qualified technician.

If the appliance is intended to operate with a different gas from the gas type stated on the rating plate and information label on the top of the hob, change the injectors.

Remove the information label and keep it with the instructions booklet.

**Use pressure regulators suitable for the gas pressure indicated in the Instruction:**

- the gas injector must be changed by After Sales Service or a qualified technician;
- injector not supplied with the appliance must be ordered from After Sales Service;
- adjust the minimum setting of the taps.

**NOTE: when liquid petroleum gas is used (G30/G31), the minimum gas setting screw must be tightened as far as it will go.**

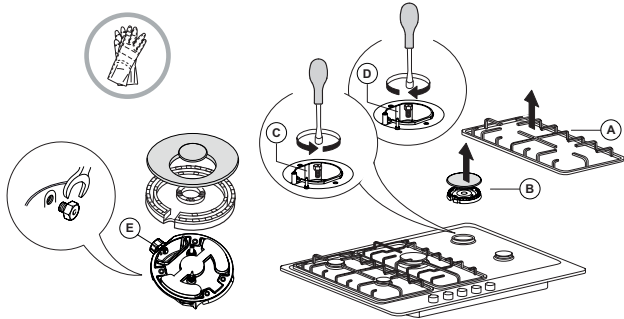
**IMPORTANT: should you experience difficulty in turning the burners knobs, please contact the After Sales Service for the replacement of the burner tap if found to be faulty.**

**IMPORTANT: when gas cylinder is adopted, the gas cylinder or gas container must be properly settled (vertical orientation).**

**REPLACING THE INJECTORS (see the injector table in the Safety instructions)**

⚠ This operation must be performed by a qualified technician.

- Remove grids (A).
- Extract burners (B).
- Using a socket spanner of the appropriate size unscrew the injector (C), to be replaced.
- Replace it with the injector suitable for the new type of gas.
- Re-assemble the injector in (D).
- If you have a multiple crown burner, use a side spanner to replace the injector (E).



Before installing the hob, remember to affix the gas calibration plate supplied with the injectors in such a way that it covers the existing information relating to gas calibration.

**ADJUSTING MINIMUM GAS SETTING OF TAPS**

⚠ This operation must be performed by a qualified technician.

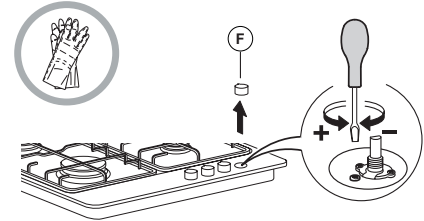
The adjustment must be performed with the tap in a minimum gas setting position (small flame).

The primary air of the burners does not need to be adjusted.

To ensure that the minimum setting is correctly adjusted, remove the knob (F) and proceed as follows:

- tighten the screw to reduce the flame height (-);
- loosen the screw to increase the flame height (+).

At this stage, light up the burners and turn the knobs from max. position to minimum position to check flame stability.



Upon completion of adjustment, reseal using sealing wax or an equivalent material.

**MULTILEVEL FLAME**

LEVEL	COOKING METHOD/TYPE (SUGGESTED FOR)	COOKING TIPS
1-2	KEEPWARM	Ideal for softening butter, gently melting chocolate in bagnemarie, thawing small portions, creaming risotto.
	GENTILE COOK	
3-4	SIMMERING	Ideal for slow-cook recipes (rice, sauces, roast, fish) using liquids (water, wine, broth), and for creaming pasta, maintaining a gentle boiling.
	STEWING	
5-6	ROASTING	Ideal for sauteing, stewing vegetables, cooking for longer period, preheating accessories, cooking until creamy.
	FRYING	
7-8	STIR FRYING	Ideal for browning, starting to cook, bringing liquids to the boil quickly, frying deep-frozen products, grilling meat and fish, maintaining a lively boil.
	GRILLING	
9	FAST HEATING	Ideal for rapidly increasing the temperature of food or for heating up liquids (water).

**MAINTENANCE AND CLEANING**

⚠ Disconnect the appliance from the power supply.

**CLEANING THE HOB SURFACE**

- All the enamelled and glass parts should be cleaned with warm water and a neutral solution.
- Stainless steel surfaces may be stained by calcareous water or aggressive detergents if left in contact for too long. Any food spills (water, sauce, coffee, etc.) should be wiped away before they dry.
- Clean with warm water and neutral detergent, and then dry with a soft cloth or chamois. Remove baked-on dirt with specific cleaners for stainless steel surfaces.

**NOTE: clean stainless steel only with soft cloth or sponge.**

- Do not use abrasive or corrosive products, chlorine-based cleaners or pan scourers.
- Do not use steam cleaning appliances.
- Do not use flammable products.
- Do not leave acid or alkaline substances, such as vinegar, mustard, salt, sugar or lemon juice on the hob.

**CLEANING THE HOB PARTS**

- Clean glass and enamelled parts only with soft cloth or sponge.
- Grids, burner caps and burners can be removed to be cleaned.
- Clean them by hand with warm water and non-abrasive detergent, removing any food residues and checking that none of the burner openings is clogged.
- Rinse and dry.
- **The cast-iron grates may be cleaned in the dishwasher. Remove any burnt-on food before placing the grates in the lowest rack in the dishwasher.**
- Refit burners and burner caps correctly in the respective housings.
- When replacing the grids, make sure that the panstand area is aligned with the burner.
- Models equipped with electrical ignition plugs and safety device require thorough cleaning of the plug end in order to ensure correct operation. Check these items frequently, and if necessary, clean them with a damp cloth. Any baked-on food should be removed with a toothpick or needle.

**NOTE: to avoid damaging the electric ignition device, do not use it when the burners are not in their housing.**

## TROUBLESHOOTING

If the hob does not operate correctly, before calling the After-Sales Service, refer to the Troubleshooting Guide to determine the problem

### 1. The burner fails to ignite, or the flame is not even

Check that:

- the gas or electrical supplies are not shut off and especially that the gas supply tap is open;
- the gas cylinder (liquid gas) is not empty;
- the burner openings are not clogged;
- the plug end is not dirty;
- all the burner parts have been positioned correctly;
- there are no draughts near the hob.

### 2. The burner does not stay lit

Check that:

- when lighting the burner, the knob has been pressed for enough time to activate the protection device;
- the burner openings are not clogged near the thermocouple;
- the end of the safety device is not dirty;
- the minimum gas setting is correct (see relevant paragraph).

### 3. The containers are not stable

Check that:

- the bottom of the container is perfectly flat;
- the container is centred on the burner;
- the grids have not been exchanged or positioned incorrectly.

If after the above checks the fault still occurs, get in touch with the nearest After Sales Service.

## AFTER-SALES SERVICE

In order to receive complete assistance, please register your product on [www.whirlpool.eu/register](http://www.whirlpool.eu/register).

### BEFORE CALLING THE AFTER-SALES SERVICE:

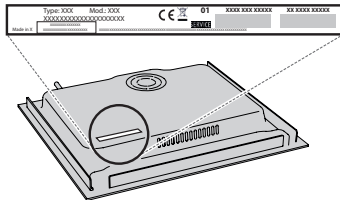
1. See if you can solve the problem by yourself with the help of the **TROUBLESHOOTING** suggestions.
2. Switch the appliance off and back on again to see if the fault persists.

### IF AFTER THE ABOVE CHECKS THE FAULT STILL OCCURS, GET IN TOUCH WITH THE NEAREST AFTER-SALES SERVICE.

To receive assistance, call the number shown on the warranty booklet or follow the website's instructions on [www.whirlpool.eu](http://www.whirlpool.eu).

When contacting our Client After-sales service, always specify:

- a brief description of the fault;
- the type and exact model of the appliance;



- the serial number (number after the word SN on the rating plate located under the appliance). The serial number is also indicated in the documentation;



Mod. XXX XXX

Ind.C. XXXX XXXX XXXX

Prod.N. 86999XXXXXXXX S.N. XXXX XXXX XXXX

- your full address;
- your telephone number.

If any repairs are required, please contact an authorized after-sales service (to guarantee that original spare parts will be used and repairs carried out correctly).



## CONSIGNES DE SÉCURITÉ

## IMPORTANT - À LIRE ET À RESPECTER

Télécharger le manuel d'instructions complet sur <http://docs.whirlpool.eu> ou appeler le numéro de téléphone indiqué sur le livret de garantie.

⚠ Ces directives s'appliquent si le symbole du pays apparaît sur l'appareil. Si le symbole du pays n'apparaît pas sur l'appareil, vous devez vous référer aux consignes techniques qui contiennent les instructions nécessaires concernant la modification de l'appareil afin de se conformer aux conditions d'utilisation du pays.

⚠ MISE EN GARDE: L'utilisation d'appareil de cuisson au gaz génère de la chaleur, de l'humidité, et des produits de la combustion dans la pièce dans laquelle il est installé. Assurez-vous que la cuisine est bien aérée, surtout lorsque vous utilisez l'appareil : gardez les trous de ventilations ouverts ou installez un dispositif de ventilation mécanique (hotte de ventilation). Une utilisation intensive et prolongée peut nécessiter une ventilation supplémentaire, comme ouvrir une fenêtre, ou une ventilation plus efficace, par exemple en augmentant le niveau de ventilation mécanique (si possible).

⚠ Le non-respect des informations du présent manuel peut provoquer un incendie ou une explosion, susceptible de provoquer un dommage aux biens ou des lésions personnelles.

Avant d'utiliser l'appareil, lire attentivement les consignes de sécurité. Conservez-les à portée pour consultation ultérieure.

Le présent manuel et l'appareil lui-même contiennent des consignes de sécurité importantes qui doivent être lues et observées en tout temps. Le Fabricant décline toute responsabilité si les consignes de sécurité ne sont pas respectées, en cas de mauvaise utilisation de l'appareil, ou d'un mauvais réglage des commandes.

⚠ AVERTISSEMENT: Ne pas utiliser la table de cuisson si la surface est cassée ou fissurée - risque de choc électrique.

⚠ AVERTISSEMENT: Risque d'incendie: Ne rangez aucun objet sur les surfaces de cuisson.

⚠ ATTENTION: La cuisson doit être supervisée. Une cuisson de courte durée doit être supervisée en tout temps.

⚠ AVERTISSEMENT: Une cuisson sans surveillance sur une table de cuisson contenant de la graisse ou de l'huile peut s'avérer dangereuse - risque d'incendie. N'essayez JAMAIS d'éteindre un feu avec de l'eau, mais éteignez l'appareil puis couvrez les flammes à l'aide d'un couvercle par ex. ou d'une couverture ignifuge.

⚠ Utilisez pas la table de cuisson comme surface de travail ou support. Gardez les vêtements et autres matières inflammables loin de l'appareil jusqu'à ce que toutes les composantes soient complètement refroidies - un incendie pourrait se déclarer.

⚠ Les enfants en bas âge (0-3 ans) doivent être tenus à l'écart de l'appareil. Les jeunes enfants (3-8 ans) doivent

être tenus à l'écart de l'appareil sauf s'ils se trouvent sous surveillance constante. Les enfants âgés de 8 ans et plus, ainsi que les personnes présentant des capacités physiques, sensorielles ou mentales réduites, ou ne possédant ni l'expérience ni les connaissances requises, peuvent utiliser cet appareil seulement s'ils sont supervisés, ou si une personne responsable leur a expliqué l'utilisation sécuritaire et les dangers potentiels de l'appareil. Ne laissez pas les enfants jouer avec l'appareil. Les enfants ne doivent pas nettoyer, ni procéder à l'entretien de l'appareil sans surveillance.

⚠ MISE EN GARDE: En cas de rupture du verre de la plaque de cuisson: éteignez immédiatement tous les brûleurs et la résistance électrique, et coupez l'alimentation électrique; veillez à ne pas toucher la surface de l'appareil; veillez à ne pas utiliser l'appareil. Le couvercle en verre peut se casser s'il est surchauffé. Coupez tous les brûleurs et les plaques électriques avant de fermer le couvercle. Ne fermez pas le couvercle lorsqu'un brûleur est allumé.

⚠ AVERTISSEMENT: L'appareil, ainsi que ses parties accessibles, peuvent atteindre température élevée lors de l'utilisation. Évitez tout contact avec les éléments chauffants. Les enfants de moins de 8 ans doivent être tenus à l'écart de l'appareil, à moins d'être sous surveillance constante.

### USAGE AUTORISÉ

⚠ MISE EN GARDE: Cet appareil n'est pas conçu pour fonctionner à l'aide d'un dispositif de commutation externe, comme une minuterie ou un système de télécommande.

⚠ Cet appareil est destiné à un usage domestique et peut aussi être utilisé dans les endroits suivants: cuisines pour le personnel dans les magasins, bureaux et autres environnements de travail ; dans les fermes; par les clients dans les hôtels, motels, chambres d'hôtes, et autres résidences similaires.

⚠ Aucune autre utilisation n'est autorisée (p. ex. pour chauffer des pièces).

⚠ Cet appareil n'est pas conçu pour un usage professionnel. N'utilisez pas l'appareil en extérieur.

⚠ Utilisez des ustensiles de cuisson dont le fond dispose d'un diamètre égal ou légèrement supérieur à celui du foyer (voir le tableau suivant). Vérifiez que les ustensiles de cuisson ne dépassent pas de la table de cuisson.

⚠ Une utilisation inappropriée des grilles peut endommager la table de cuisson: ne positionnez pas les grilles sens dessus dessous ou ne les faites pas glisser sur la table de cuisson.

Ne laissez pas la flamme du brûleur dépasser du bord de la casserole. Si la surface de la plaque de cuisson est en verre, n'utilisez pas les grilles en fonte, des pierres olaires, des casseroles et des poêles en terre cuite.

N'utilisez pas: de diffuseurs de chaleur comme des mailles métalliques ou tout autre type; deux brûleurs simultanément pour un seul récipient (par exemple, une poissonnière).

Si des conditions locales spéciales du gaz distribué rendent l'allumage du brûleur difficile, il est conseillé de répéter l'opération en plaçant le bouton sur la position petite flamme.

Avant d'installer une hotte au-dessus de la table de cuisson, veuillez vous référer au manuel d'utilisation de la hotte qui spécifie les distances adéquates.

Les pieds de protection en caoutchouc appliqués sur les grilles sont une source de danger potentiel pour les jeunes enfants. Après avoir enlevé les grilles, assurez-vous que tous les pieds sont correctement installés.

## INSTALLATION

⚠ Deux personnes minimum sont nécessaires pour déplacer et installer l'appareil - risque de blessure. Utilisez des gants de protection pour le déballage et l'installation de l'appareil - vous risquez de vous couper.

⚠ Les branchements électriques et le raccordement au gaz doivent être réalisés conformément aux réglementations locales.

⚠ L'installation, incluant l'alimentation en eau (selon le modèle), et les connexions électriques, ainsi que les réparations, doivent être exécutées par un technicien qualifié. Ne procédez à aucune réparation ni à aucun remplacement de pièce sur l'appareil autres que ceux spécifiquement indiqués dans le guide d'utilisation. Gardez les enfants à l'écart du site d'installation. Après avoir déballé l'appareil, assurez-vous qu'il n'a pas été endommagé pendant le transport. En cas de problème, contactez votre revendeur ou le Service Après-Vente le plus proche. Une fois installé, gardez le matériel d'emballage (sacs en plastique, parties en polystyrène, etc.) hors de la portée des enfants - ils pourraient s'étouffer. L'appareil ne doit pas être branché à l'alimentation électrique lors de l'installation - vous pourriez vous électrocuter. Au moment de l'installation, assurez-vous que le câble d'alimentation n'est pas endommagé par l'appareil - vous pourriez vous électrocuter. Allumez l'appareil uniquement lorsque l'installation est terminée.

⚠ AVERTISSEMENT: Les modifications sur l'appareil et sur les méthodes d'installation sont essentielles pour utiliser l'appareil de façon sécuritaire et correctement dans tous les autres pays.

⚠ Utiliser des régulateurs de pression adéquats pour la pression de gaz indiquée dans les directives.

⚠ La pièce doit être équipée d'un système d'évacuation d'air qui expulse les fumées de combustion.

⚠ La pièce doit aussi permettre une bonne circulation d'air; l'air est nécessaire pour une combustion normale. La circulation d'air doit être au minimum de 2 m<sup>3</sup>/h par kW de puissance installée.

⚠ Le système de circulation d'air peut prendre l'air directement de l'extérieur en utilisant un tuyau avec une section transversale intérieure d'au moins 100 cm<sup>2</sup>; l'ouverture ne doit pas pouvoir se bloquer facilement.

⚠ Le système peut aussi obtenir l'air nécessaire de façon indirecte, p. ex. d'une pièce voisine munie de tuyaux pour la circulation d'air comme décrit plus haut. Cependant, ces pièces ne doivent pas être une salle commune, une chambre à coucher, ou une pièce qui présente un danger d'incendie.

⚠ Comme il est plus pesant que l'air, le gaz de pétrole liquéfié reste au niveau du sol. Donc, les pièces

contenant des cylindres de GPL doivent être équipées de bouches de ventilation qui permettent au gaz de s'échapper en cas de fuite. Donc, les cylindres de GPL, plein ou partiellement rempli, doivent être installés ou entreposés dans des pièces ou entrepôts qui se trouvent sous le niveau du sol (cave, etc.). Nous vous conseillons de garder dans la pièce les cylindres utilisés seulement, placés de façon à ne pas être affecté par la chaleur produite par des sources externes (four, foyer, cuisinière) qui pourrait faire monter la température du cylindre au dessus de 50°C.

Si vous éprouvez des problèmes pour tourner les boutons des brûleurs, veuillez contacter le Service Après-vente pour remplacer le bec du brûleur s'il est défectueux.

Les ouvertures utilisées pour la ventilation et la diffusion de la chaleur ne doivent jamais être obstruées.

⚠ Découpez le contour du meuble avant d'y insérer l'appareil, et enlevez soigneusement les copeaux et la sciure de bois.

⚠ Si l'appareil n'est pas installé au-dessus d'un four, un panneau séparateur (non compris) doit être installé dans le compartiment sous l'appareil.

## RACCORDEMENT AU GAZ

⚠ AVERTISSEMENT: Avant l'installation, assurez-vous que les conditions de distribution locale (nature et pression du gaz) sont compatibles avec les réglages de l'appareil.

⚠ Vérifiez que la pression de l'alimentation de gaz est conforme aux valeurs indiquées dans le tableau "Caractéristiques du brûleur".

⚠ AVERTISSEMENT: Les conditions de configuration pour cet appareil sont indiquées sur l'étiquette (ou la plaque signalétique).

⚠ AVERTISSEMENT: Cet appareil n'est pas raccordé à un dispositif d'évacuation des fumées. Il doit être installé et connecté conformément aux réglementations en vigueur en matière d'installation. Faire particulièrement attention aux normes d'aération.

⚠ Si les appareils sont branchés à du gaz liquide, la vis de réglage doit être fixée aussi fermement que possible.

⚠ IMPORTANT: Si vous utilisez une bouteille de gaz, le cylindre ou le récipient de gaz doit être correctement installée (orientation verticale).

⚠ AVERTISSEMENT: Cette opération doit être effectuée par un technicien spécialisé.

⚠ Effectuez le raccordement au gaz à l'aide d'un flexible ou d'un tuyau en métal rigide uniquement.

⚠ Connexion à un tuyau rigide (cuivre ou acier) La connexion au système de gaz doit être effectuée de façon à ne pas placer de contrainte sur l'appareil. Il existe un raccord de tuyau en forme de L réglable sur la rampe d'alimentation de l'appareil et il est installé avec un joint afin d'éviter des fuites. Le joint d'étanchéité doit toujours être remplacé lorsqu'on remplace le raccord de tuyauterie ( le joint est fourni avec l'appareil). Le raccord de tuyauterie de l'alimentation de gaz est un raccord cylindrique mâle avec un filament de 1/2.

⚠ Connexion d'un tuyau en acier inoxydable sans joint flexible à une fixation fileté. Le raccord de tuyau

d'alimentation de gaz est une fixation mâle cylindrique de gaz fileté de dimension 1/2. Ces tuyaux doivent être installés de façon à ne pas dépasser 2000 mm de longueur lorsqu'ils sont complètement étirés. Une fois le branchement terminé, assurez-vous que le tuyau flexible en métal ne touche pas aux pièces mobiles et qu'il n'est pas écrasé. Utiliser seulement des tuyaux et des joints d'étanchéité conformes à la réglementation nationale.

⚠ **IMPORTANT:** Si vous utilisez un tuyau en acier inoxydable, assurez-vous qu'il ne touche à aucune pièce mobile du meuble (p. ex. un tiroir). Le tuyau doit passer à travers un endroit libre d'obstruction et où il est possible de l'inspecter sur toute sa longueur. ⚠ L'appareil doit être branché à l'alimentation principale ou à un cylindre de gaz conformément à la réglementation nationale. Avant d'effectuer le branchement, assurez-vous que l'appareil est compatible avec l'alimentation de gaz que vous désirez utiliser. Si ce n'est pas le cas, suivez les directives indiquées au paragraphe "Adapter à différents types de gaz".

⚠ Après le raccordement à l'arrivée de gaz, vérifiez qu'il n'y ait pas de fuite à l'aide d'eau savonneuse. Allumez les brûleurs et tournez les boutons de la position maximale 1\* à la position minimale 2\* pour vérifier la stabilité de la flamme.

### **ADAPTER À DIFFÉRENTS TYPES DE GAZ**

(Cette opération doit être effectuée par un technicien spécialisé).

⚠ Afin d'adapter l'appareil à un type de gaz différent de celui pour lequel il a été fabriqué (indiqué sur l'étiquette nominative), suivez les étapes spécifiques indiquées après les schémas d'installation.

### **AVERTISSEMENTS ÉLECTRIQUES**

⚠ **IMPORTANT:** Des informations concernant la consommation actuelle et de tension figurent sur la plaque signalétique.

⚠ Il doit être possible de débrancher l'appareil de l'alimentation électrique en retirant la fiche de la prise de courant si elle est accessible, ou à l'aide d'un interrupteur multipolaire en amont de la prise de courant, conformément aux règles de câblage et l'appareil doit être mis à la terre conformément aux normes de sécurité électrique nationales.

⚠ Une fois l'appareil installé dans son meuble, le câble d'alimentation doit être suffisamment long pour le brancher à l'alimentation électrique principale. Ne tirez pas sur le cordon d'alimentation pour débrancher l'appareil.

⚠ N'utilisez pas de rallonge, de prises multiples ou d'adaptateurs. Une fois l'installation terminée, l'utilisateur ne devra plus pouvoir accéder aux composants électriques. N'utilisez pas l'appareil si vous êtes mouillé ou si vous êtes pieds nus. N'utilisez pas cet appareil si le câble d'alimentation ou la prise de courant sont endommagés, si l'appareil ne fonctionne pas correctement, ou s'il a été endommagé ou échappé.

⚠ Si le câble d'alimentation est endommagé, il doit être remplacé par un câble identique provenant du fabricant, d'un représentant du Service Après-vente, ou par toute autre personne qualifiée - vous pourriez vous électrocuter.


### **NETTOYAGE ET ENTRETIEN**

⚠ **AVERTISSEMENT:** Assurez-vous que l'appareil est éteint et débranché du réseau électrique avant d'effectuer l'entretien - vous pourriez vous électrocuter; n'utilisez jamais un appareil de nettoyage à vapeur - risque de choc électrique.

⚠ N'utilisez en aucun cas de produits abrasifs ou corrosifs, de produits chlorés ou de tampons à récurer.

⚠ Pour ne pas endommager le dispositif d'allumage électrique, actionnez-le uniquement lorsque les brûleurs ont été remis en place.

### **MISE AU REBUT DES MATÉRIAUX D'EMBALLAGE**


Les matériaux d'emballage sont entièrement recyclables comme l'indique le symbole de recyclage .

Les différentes parties de l'emballage doivent donc être jetées de manière responsable et en totale conformité avec la réglementation des autorités locales régissant la mise au rebut de déchets.

### **MISE AU REBUT DES APPAREILS ÉLECTROMÉNAGERS**

Cet appareil est fabriqué avec des matériaux recyclables ou pouvant être réutilisés. Mettez-le au rebut en vous conformant aux réglementations locales en matière d'élimination des déchets. Pour toute information supplémentaire sur le traitement et le recyclage des appareils électroménagers, contactez le service local compétent, le service de collecte des déchets ménagers ou le magasin où vous avez acheté l'appareil. Cet appareil est marqué comme étant conforme à la Directive européenne 2012/19/EU, aux réglementations relatives aux Déchets d'équipement électrique et électronique (DEEE) et relatives aux Déchets d'équipement électrique et électronique de 2013 (tels qu'amendés).

En vous assurant que l'appareil est mis au rebut correctement, vous pouvez aider à éviter d'éventuelles conséquences négatives sur l'environnement et la santé humaine.

Ce symbole  sur le produit ou sur la documentation qui l'accompagne indique qu'il ne doit pas être traité comme un déchet domestique, mais doit être remis à un centre de collecte spécialisé pour le recyclage des appareils électriques et électroniques.



Points de collecte sur [www.quefairedemesdechets.fr](http://www.quefairedemesdechets.fr)  
Privilégiez la réparation ou le don de votre appareil !

### **CONSEILS RELATIFS À L'ÉCONOMIE D'ÉNERGIE**

Utilisez des ustensiles de cuisson d'un diamètre égal à celui de la zone de cuisson.

Utilisez exclusivement des ustensiles de cuisson à fond plat.

Lorsque cela est possible, couvrez les casseroles avec un couvercle pendant la cuisson.

Utilisez un autocuiseur pour économiser encore plus d'énergie et de temps.

### **DÉCLARATION DE CONFORMITÉ**

Cet appareil respecte les conditions requises d'écoconception de la Réglementation européenne 66/2014 et des Réglementations en matière d'écoconception pour les produits liés à l'énergie et les informations énergétiques (Amendement) (Sortie de l'UE) 2019, conformément à la norme européenne EN 30-2-1.

Type de gaz utilisé	Type de brûleur	Marque de l'injecteur	Puissance thermique nominale kW	Consommation nominale	Puissance thermique réduite kW	Pression du gaz mbar		
						min.	nom.	max.
GAZ NATUREL (Méthane) <b>G20</b>	Rapide (R)	128 B	3,00	286 l/h	0,70	17	20	25
	Semi-rapide (SR)	97	1,75	167 l/h	0,40			
	Auxiliaire (AUX)	78 A	1,00	95 l/h	0,40			
	Double couronne (DC)	141	4,00	381 l/h	2,20			
GAZ DE PÉTROLE LIQUÉFIÉ (Butane) <b>G30</b>	Rapide (R)	87	3,00	218 g/h	0,70	20	28-30	35
	Semi-rapide (SR)	67	1,75	127 g/h	0,40			
	Auxiliaire (AUX)	50	1,00	73 g/h	0,40			
	Double couronne (DC)	94	3,70	269 g/h	2,20			
GAZ DE PÉTROLE LIQUÉFIÉ (Propane) <b>G31</b>	Rapide (R)	87	3,00	214 g/h	0,70	25	37	45
	Semi-rapide (SR)	67	1,75	125 g/h	0,40			
	Auxiliaire (AUX)	50	1,00	71 g/h	0,40			
	Double couronne (DC)	94	3,70	264 g/h	2,20			

Type de gaz utilisé	Configuration du modèle 5 BRÛLEURS	Puissance thermique nominale (kW)	Consommation totale nominale	Air nécessaire (m <sup>3</sup> ) à la combustion de 1m <sup>3</sup> de gaz
<b>G20</b> 20 mbar	1R - 2SR - 1AUX - 1DC	11,50	1095 l/h	9,52
<b>G30</b> 28-30 mbar	1R - 2SR - 1AUX - 1DC	11,20	814 g/h	30,94
<b>G31</b> 37 mbar	1R - 2SR - 1AUX - 1DC	11,20	800 g/h	23,80

**ALIMENTATION ÉLECTRIQUE: 220-240 V ~ 50-60 Hz - 0,6 W**

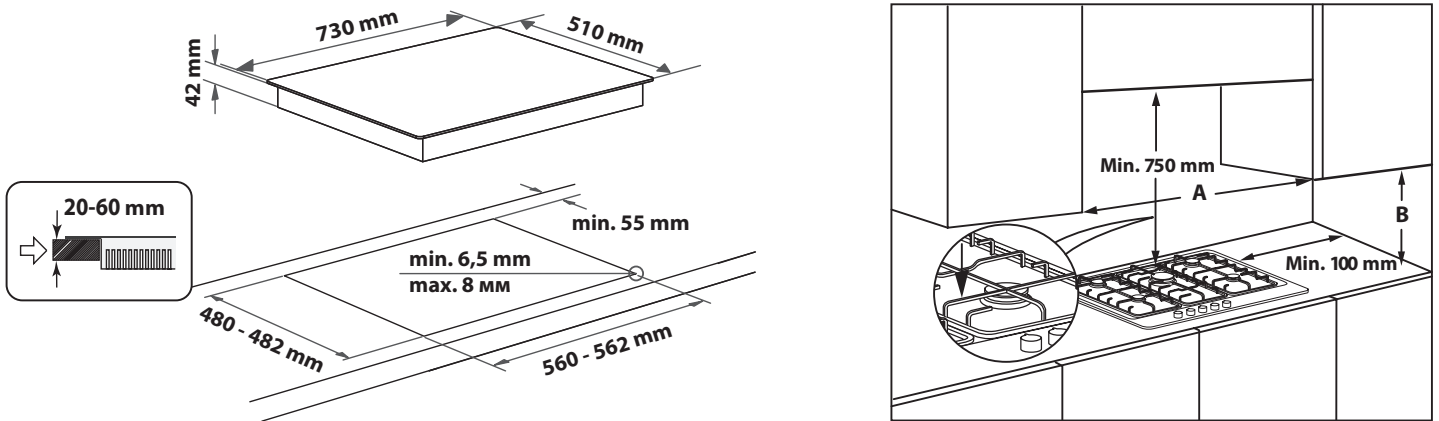



## INSTALLATION (CLASSE 3)

### INFORMATIONS TECHNIQUES POUR L'INSTALLATEUR

- Utilisez des gants de protection pour manipuler, préparer et installer le produit.
- La table de cuisson peut être encastrée dans un plan de travail de  $20 \div 60$  mm d'épaisseur.
- Si vous n'installez pas de four sous la table de cuisson, placez un panneau de séparation de dimension au moins égale à celle de la découpe pratiquée dans le plan de travail. Ce panneau doit être installé à 150 mm maximum en dessous de la surface supérieure du plan de travail, mais en aucun cas à moins de 20 mm de la partie inférieure de la table de cuisson. Si vous avez l'intention d'installer un four sous la table de cuisson, assurez-vous qu'il est doté d'un système de refroidissement.

### DIMENSIONS ET DISTANCES A RESPECTER



**REMARQUE:** si la distance "A" entre les éléments muraux est de 600mm à 730 mm, la hauteur "B" doit être au minimum de 530mm. Si la distance "A" entre les éléments muraux est supérieure à la largeur de la table de cuisson, la hauteur "B" doit être au minimum de 400 mm. Avant d'installer une hotte au-dessus de la table de cuisson, veuillez vous référer au manuel d'utilisation de la hotte qui spécifie les distances adéquates.

### ASSEMBLAGE

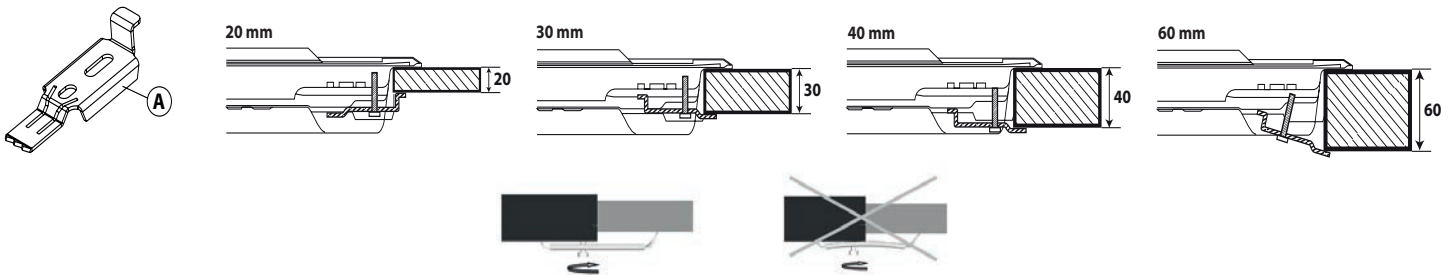
Après avoir nettoyé le pourtour de la table de cuisson, appliquez le joint fourni comme illustré sur la figure.

Installez la table de cuisson dans l'ouverture du plan de cuisson dont les dimensions correspondent à celles figurant dans le mode d'emploi.



**REMARQUE:** le cordon d'alimentation doit être suffisamment long pour permettre son extraction par le haut.



Pour fixer la table de cuisson, utilisez les attaches (A) fournies. Introduisez les attaches dans les orifices prévus à cet effet (indiqués par la flèche) et fixez-les à l'aide des vis en fonction de l'épaisseur de la table de cuisson (voir figures suivantes).

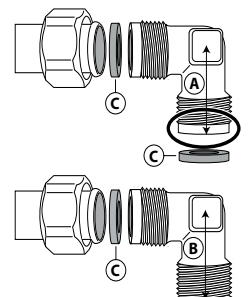


### RACCORDEMENT AU GAZ

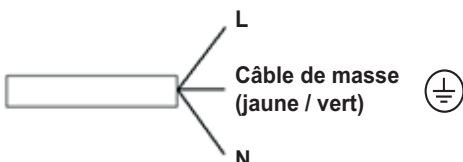
- Raccordez le coude (A)\* ou (B)\* fourni au tuyau principal d'alimentation de la table de cuisson et installez la rondelle (C) fournie, conformément à la norme EN 549.

\* Utilisez le coude (A) pour la France et le coude (B) pour tous les autres pays.

- Une fois le tuyau de gaz raccordé, vérifiez l'absence de fuites à l'aide d'eau savonneuse. Allumez les brûleurs et tournez les boutons de la position maximale  à la position minimale  pour vérifier la stabilité de la flamme.

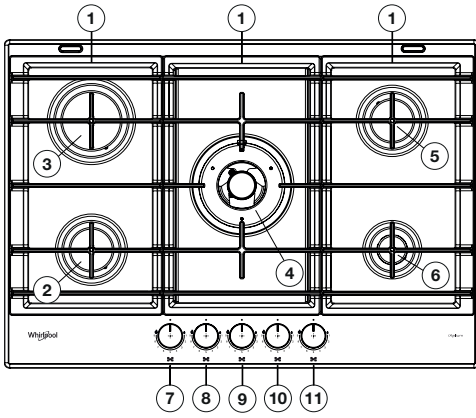


### BRANCHEMENT ÉLECTRIQUE





# DESCRIPTION DU PRODUIT



1. Grilles amovibles
2. Brûleur semi-rapide
3. Brûleur rapide
4. Brûleur à double couronne
5. Brûleur semi-rapide
6. Brûleur auxiliaire
7. Bouton de commande du brûleur semi-rapide
8. Bouton de commande du brûleur rapide
9. Bouton de commande du brûleur à double couronne
10. Bouton de commande du brûleur semi-rapide
11. Bouton de commande du brûleur auxiliaire

## Symboles

- Cercle ombré ● Robinet fermé
- Flamme maximale 🔥 Ouverture/débit max., et allumage électrique
- Flamme minimale 🔥 Ouverture min./débit réduit



# USAGE QUOTIDIEN

## MODE D'EMPLOI DE LA TABLE DE CUISSON

⚠ Ne laissez pas la flamme du brûleur dépasser du bord de la casserole.

**IMPORTANT: lorsque la table de cuisson est utilisée, elle peut être chaude dans son intégralité.**

- Pour allumer un des brûleurs, tournez le bouton correspondant dans le sens inverse des aiguilles d'une montre jusqu'à la position de flamme maximale.
- Appuyez sur le bouton du bandeau de commande et maintenez-le dans cette position jusqu'à ce que le brûleur s'allume.
- Dès que le brûleur est allumé, maintenez le bouton enfoncé pendant 5 à 10 secondes environ pour permettre le fonctionnement correct du dispositif.
- Ce dispositif de sécurité du brûleur permet de couper l'arrivée du gaz en cas d'extinction inopinée de la flamme (suite à un courant d'air, une absence momentanée de gaz, un débordement de liquides, etc.).
- **Ne maintenez pas le bouton enfoncé plus de 15 secondes. Si, une fois ce temps écoulé, le brûleur ne reste pas allumé, attendez au moins une minute avant de répéter l'opération.**

**REMARQUE: si des conditions locales spéciales de gaz distribué rendent l'allumage du brûleur difficile, il est conseillé de répéter l'opération en plaçant le bouton sur la position petite flamme.**

**Il se peut que le brûleur s'éteigne lorsque vous relâchez le bouton.** Cela signifie que le dispositif de sécurité n'a pas chauffé suffisamment. Dans un tel cas, veuillez répéter les opérations décrites ci-dessus. En cas d'extinction accidentelle des flammes du brûleur, tournez la manette jusqu'à l'arrêt et attendez au moins 1 minute avant de tenter de rallumer.

## CONSEILS PRATIQUES POUR UTILISER LES BRÛLEURS

Cette table de cuisson est équipée de brûleurs de différents diamètres. Pour obtenir une meilleure performance des brûleurs, veuillez respecter les consignes suivantes:

- utilisez des ustensiles de cuisson d'un diamètre égal ou légèrement supérieur à celui du foyer (voir le tableau de droite);
- utilisez exclusivement des ustensiles de cuisson à fond plat;
- cuisez les aliments dans une quantité d'eau adaptée aux besoins et laissez le couvercle sur la casserole;
- vérifiez que les ustensiles de cuisson ne dépassent pas de la table de cuisson;
- pour les ustensiles de cuisson à fond convexe (WOK), utilisez la grille de support (non fournie), et placez-la uniquement sur le brûleur à plusieurs couronnes.
- éviter les heurts accidentels avec casseroles, grilles ou autres ustensiles de cuisine;
- ne pas utiliser de casseroles ou de faitouts à cheval sur deux brûleurs ou plus.

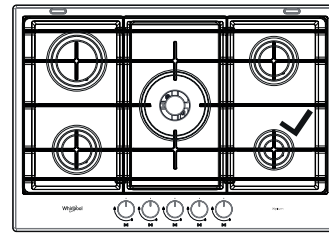
**IMPORTANT: une utilisation inappropriée des grilles peut endommager la table de cuisson; ne positionnez pas les grilles sens dessus dessous ou ne les faites pas glisser sur la table de cuisson.**

BRÛLEUR	Ø D'USTENSILE DE CUISSON
Double couronne	De 24 à 26 cm
Rapide	De 24 à 26 cm
Semi-rapide	De 16 à 22 cm
Auxiliaire	De 8 à 14 cm

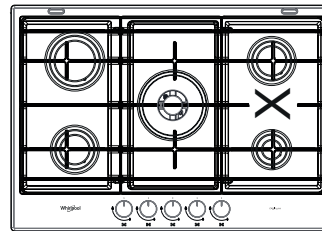
N'utilisez pas:

- de plaques en fonte, de pierres ollaires, d'ustensiles de cuisson en terre cuite;
- de diffuseurs de chaleur comme des mailles métalliques ou tout autre type;
- deux brûleurs simultanément pour un seul récipient (par exemple, une poissonnière).

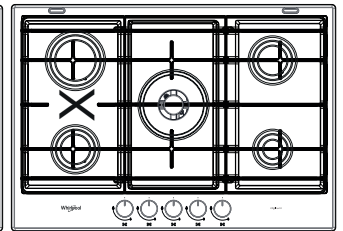
## LE CORRECT POSITIONNEMENT DES GRILLES



OK



NO



NO

## ADAPTATION A DIFFÉRENTS TYPES DE GAZ

⚠ Cette opération doit être réalisée par un technicien qualifié.

Si votre appareil est conçu pour fonctionner avec un type de gaz différent de celui indiqué sur l'étiquette signalétique et sur l'étiquette d'information appliquée sur le dessus de la table de cuisson, remplacez les injecteurs. Retirez l'étiquette d'information et conservez-la avec le mode d'emploi.

**Utilisez des détendeurs compatibles avec la pression du gaz indiquée dans le mode d'emploi:**

- l'injecteur de gaz doit être remplacé par le Service Après-vente ou par un technicien qualifié;
- si l'injecteur n'est pas livré avec l'appareil, commandez-le auprès du Service Après-vente;
- réglez les robinets sur le minimum.

**REMARQUE: si vous utilisez du gaz de pétrole liquéfié (G30/G31), la vis de réglage du débit minimal de gaz doit être serrée à fond.**

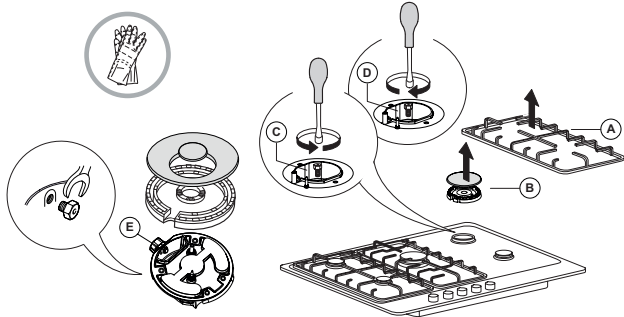
**IMPORTANT: si les boutons de commande des brûleurs tournent difficilement, contactez le Service Après-vente pour le remplacement du robinet du brûleur si celui-ci est défectueux.**

**IMPORTANT: si vous utilisez une bouteille de gaz, veillez à ce qu'elle soit correctement installée (orientation verticale).**

## REPLACEMENT DES INJECTEURS (voir le tableau des injecteurs dans le Consignes de sécurité)

⚠ Cette opération doit être réalisée par un technicien qualifié.

- Retirez les grilles (A).
- Retirez les brûleurs (B).
- Utilisez une clef à douille de taille appropriée et dévissez l'injecteur (C) à remplacer.
- Remplacez-le par l'injecteur compatible avec le nouveau type de gaz.
- Remontez l'injecteur en (D).
- Si vous possédez un brûleur à multiples couronnes, utilisez la clef latérale pour remplacer l'injecteur (E).



Avant d'installer la table de cuisson, n'oubliez pas de coller l'étiquette fournie avec les injecteurs contenant les informations correspondant au gaz utilisé.

## RÉGLAGE DES ROBINETS SUR LE MINIMUM

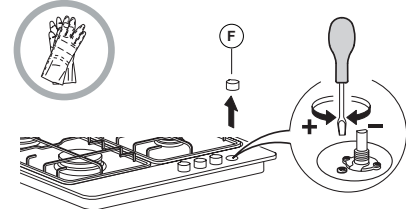
⚠ Cette opération doit être réalisée par un technicien qualifié.

Le réglage doit être effectué avec le robinet sur le minimum  $\ominus$  (petite flamme). L'air primaire des brûleurs ne doit pas être réglé.

Pour vous assurer que le réglage minimal est correctement réglé, retirez le bouton (F) et procédez comme suit :

- serrez la vis pour réduire la hauteur de la flamme (-) ;
- desserrez la vis pour augmenter la hauteur de la flamme (+).

Allumez maintenant les brûleurs et tournez les boutons de la position maximale  $\odot$  vers la position minimale  $\ominus$  pour vérifier la stabilité de la flamme.



Une fois le réglage terminé, refaites le joint en utilisant une cire à cacheter ou un matériau équivalent.

## FLAMME MULTI-NIVEAU

NIVEAU	MÉTHODE/TYPE DE CUISSON (SUGGÉRÉ POUR)	CONSEILS DE CUISSON
1-2	GARDER AU CHAUD	Idéal pour ramollir le beurre, faire fondre lentement du chocolat au bain-marie, décongeler les aliments de petite taille, préparer la sauce du risotto.
	CUISSON DOUCE	
3-4	MIJOTER	Idéal pour les recettes exigeant une cuisson lente (riz, sauces, rôtis, poisson) avec des liquides (par ex. eau, vin, bouillon), et pour préparer la sauce des pâtes, en maintenant une lente ébullition.
	CUISSON VAPEUR	
5-6	RÔTIR	Idéal pour les légumes sautés, à la vapeur, des cuissons longues, le préchauffage d'accessoires, la cuisson jusqu'à atteindre une texture crémeuse.
	FAIRE FRIRE	
7-8	SAUTER	Idéal pour dorer, démarrer une cuisson, porter à ébullition rapide, frire des produits surgelés, griller la viande et le poisson, maintenir une ébullition vive.
	GRILLER	
9	CHAUFFAGE RAPIDE	Idéal pour augmenter rapidement la température des aliments ou pour chauffer les liquides (eau).

## NETTOYAGE ET ENTRETIEN

⚠ Débranchez l'appareil avant de procéder à son entretien.

### NETTOYAGE DE LA SURFACE DE LA TABLE DE CUISSON

- Nettoyez les parties émaillées et en verre à l'eau chaude en utilisant un peu de détergent neutre.
- Si les surfaces en acier inoxydable restent trop longtemps en contact avec de l'eau calcaire ou des détergents corrosifs, des taches risquent de se former. Éliminez tout débordement de liquide (eau, sauce, café, etc.) avant qu'il ne sèche.
- Nettoyez à l'eau chaude en utilisant un détergent neutre, puis essuyez à l'aide d'un chiffon doux ou d'une peau de chamois. Éliminez les résidus carbonisés à l'aide d'un produit de nettoyage spécial pour surfaces en acier inoxydable.

**REMARQUE: nettoyez l'inox uniquement avec un chiffon doux ou une éponge.**

- N'utilisez en aucun cas de produits abrasifs ou corrosifs, de produits chlorés ou de tampons à récurer.
- N'utilisez pas d'appareils de nettoyage à la vapeur.
- N'utilisez pas de produits inflammables.

- Essuyez immédiatement les substances acides ou alcalines, telles que vinaigre, moutarde, sel, sucre ou jus de citron, qui se sont déposées sur la table de cuisson.

### NETTOYAGE DES ÉLÉMENTS DE LA TABLE DE CUISSON

- Nettoyez les parties en verre et émaillées uniquement avec un chiffon doux ou une éponge.
- Les grilles, les chapeaux des brûleurs et les brûleurs peuvent être retirés pour être nettoyés.
- Lavez-les à la main, à l'eau chaude en utilisant un détergent non abrasif. Veillez à éliminer soigneusement tous les résidus d'aliments et assurez-vous qu'aucune des ouvertures des brûleurs n'est obstruée.
- Rincez et séchez.
- **Les grilles en fonte peuvent être nettoyées au lave-vaisselle. Enlevez tous les résidus d'aliments brûlés avant de placer les grilles dans le rack inférieur du lave-vaisselle.**
- Réinstallez les brûleurs et les chapeaux des brûleurs dans leurs logements respectifs.
- Au moment de réinstaller les grilles, assurez-vous que celles-ci sont alignées par rapport au brûleur.

- Sur les modèles équipés de bougies d'allumage électriques et de dispositif de sécurité, veillez à nettoyer soigneusement l'extrémité de la bougie pour garantir son bon fonctionnement. Vérifiez régulièrement l'état de ces éléments et nettoyez-les à l'aide d'un chiffon humide, si nécessaire. Éliminez tout résidu d'aliment à l'aide d'un cure-dent ou d'une aiguille.

**REMARQUE: pour ne pas endommager le dispositif d'allumage électrique, actionnez-le uniquement lorsque les brûleurs ont été remis en place.**

## GUIDE DE DÉPANNAGE

En cas de mauvais fonctionnement de la table de cuisson, avant de contacter le Service Après-vente, consultez le chapitre Diagnostic des pannes afin d'identifier le problème.

### 1. Le brûleur ne s'allume pas ou la flamme est irrégulière

Vérifiez que:

- l'alimentation du gaz ou l'alimentation électrique n'est pas coupée et, en particulier, que le robinet d'arrivée du gaz est ouvert;
- la bouteille de gaz (gaz liquide) n'est pas vide;
- les ouvertures des brûleurs ne sont pas obstruées;
- l'extrémité de la bougie n'est pas encrassée;
- tous les éléments des brûleurs sont positionnés correctement;
- Il n'y a pas de courant d'air à proximité de la table de cuisson.

### 2. Le brûleur ne reste pas allumé

Vérifiez que:

- lors de l'allumage du brûleur, le bouton est maintenu enfoncé pendant un laps de temps suffisant pour permettre au dispositif de protection de s'enclencher;
- les ouvertures du brûleur ne sont pas obstruées à proximité du thermocouple;
- l'extrémité du dispositif de sécurité n'est pas encrassée;
- le réglage du débit minimal de gaz est correct (voir paragraphe correspondant).

### 3. Les ustensiles de cuisson ne sont pas stables

Vérifiez que:

- le fond des ustensiles de cuisson est parfaitement plat;
- l'ustensile de cuisson est correctement centré sur le brûleur;
- les grilles n'ont pas été inversées ou mises en place de façon incorrecte.

Si le problème persiste après ces vérifications, contactez votre Service Après-vente le plus proche.

## SERVICE APRÈS-VENTE

Afin de profiter d'une assistance complète, veuillez enregistrer votre appareil sur [www.whirlpool.eu/register](http://www.whirlpool.eu/register).

### AVANT D'APPELER LE SERVICE APRÈS-VENTE:

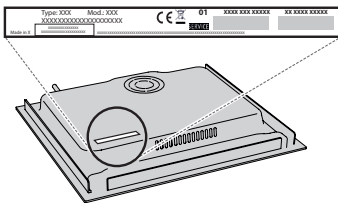
1. Vérifiez en premier lieu si vous pouvez remédier au problème à l'aide des suggestions de la section **GUIDE DE DÉPANNAGE**.
2. Éteignez puis rallumez l'appareil pour voir si le problème persiste.

### SI LE PROBLÈME PERSISTE TOUJOURS APRÈS LES VÉRIFICATIONS PRÉCÉDENTES, CONTACTER LE SERVICE APRÈS-VENTE LE PLUS PRÈS.

Pour obtenir du support, appeler le numéro disponible dans le livret de garantie ou suivez les consignes sur le site Web [www.whirlpool.eu](http://www.whirlpool.eu).

Lorsque vous contactez notre Service Après-vente, toujours préciser:

- une brève description du problème;
- le type et le modèle exact de l'appareil;



- le numéro de série (le numéro après le mot «SN» sur la plaque signalétique située sous l'appareil). Le numéro de série est également disponible dans la documentation;



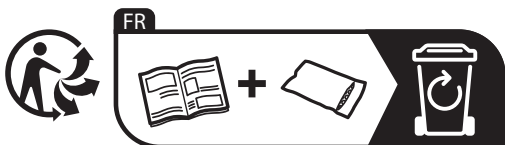
Mod. XXX XXX

Ind.C. XXXX XXXX XXXX

Prod.N. 86999XXXXXXXX S.N. XXXX XXXX XXXX

- votre adresse complète ;
- votre numéro de téléphone.

Si des réparations sont nécessaire, contactez un service après-vente agréé (vous aurez ainsi la garantie que les pièces défectueuses seront remplacées par des pièces d'origine et que la réparation de votre appareil sera effectuée correctement).



## WSKAZÓWKI DOTYCZĄCE BEZPIECZENSTWA

## PRZECZYTAĆ I ŚCIŚLE PRZESTRZEGAĆ

Pobierz pełną instrukcję obsługi ze strony <http://docs.whirlpool.eu> lub zadzwoń na lokalny number telefonu podany w książeczce gwarancyjnej.

⚠ Niniejsze instrukcje obowiązują wyłącznie, jeśli na urządzeniu występuje oznaczenie danego kraju. Jeśli na urządzeniu brak tego oznaczenia, należy odnieść się do instrukcji technicznych, w których znajdują się niezbędne wskazówki w zakresie dostosowania urządzenia do warunków użytkowania w danym kraju.

⚠ **UWAGA:** Użytkowanie urządzenia do gotowania na gazie wiąże się z wytwarzaniem w pomieszczeniu, w którym jest ono zainstalowane, ciepła, wilgoci i pozostałych produktów spalania. Należy dopilnować, aby kuchnia była dobrze wentylowana, szczególnie w czasie użytkowania urządzenia: zadbać o drożność naturalnych otworów wentylacyjnych lub zamontować urządzenie do wentylacji mechanicznej (mechaniczny wyciąg kuchenny). Przedłużające się intensywne użytkowanie urządzenia może wymagać dodatkowej wentylacji, np. otwarcia okna, lub bardziej efektywnej wentylacji, np. zwiększenia poziomu wentylacji mechanicznej (jeśli to możliwe).

⚠ Nieprzestrzeganie dokładnie informacji zawartych w tej instrukcji może spowodować pożar lub wybuch, co może skutkować uszkodzeniem mienia lub obrażeniami ciała.

Przed przystąpieniem do użytkowania urządzenia należy zapoznać się instrukcjami bezpieczeństwa. Przechowywać w podręcznym miejscu w celu korzystania z nich w przyszłości.

W instrukcji oraz na samym urządzeniu znajdują się ważne ostrzeżenia dotyczące bezpieczeństwa, których należy zawsze przestrzegać. Producent urządzenia nie ponosi odpowiedzialności za jakiegokolwiek szkody wynikłe z nieprzestrzegania niniejszej instrukcji bezpieczeństwa, nieprawidłowego użytkowania urządzenia lub niewłaściwego ustawienia elementów sterujących.

⚠ **OSTRZEŻENIE:** Jeśli powierzchnia płyty jest pęknięta, nie wolno używać urządzenia – ryzyko porażenia prądem.

⚠ **OSTRZEŻENIE:** Zagrożenie pożarem: na powierzchniach grzejnych nie należy przechowywać żadnych przedmiotów.

⚠ **OSTROŻNIE:** Proces gotowania musi być nadzorowany. Proces krótkiego gotowania musi być nadzorowany przez cały czas.

⚠ **OSTRZEŻENIE:** Pozostawienie urządzenia bez nadzoru podczas przyrządzania potraw z użyciem oleju i tłuszczu może spowodować zagrożenie i prowadzić do powstania pożaru. Pożaru NIGDY nie wolno gasić wodą! Należy wyłączyć urządzenie i przykryć ogień np. pokrywką lub kocem gaśniczym.

⚠ Nie używać płyty kuchennej jako powierzchni roboczej. Sierki kuchenne i inne łatwopalne materiały powinny być przechowywane z dala od urządzenia, dopóki wszystkie jego podzespoły całkowicie nie ostygną – ryzyko pożaru.

⚠ Młodsze dzieci (0-3 lat) nie powinny przebywać w pobliżu urządzenia. Dzieci (3-8 lat) nie powinny przebywać w pobliżu urządzenia bez stałego nadzoru. Dzieci w wieku 8 lat i starsze, osoby o ograniczonej sprawności fizycznej, sensorycznej lub umysłowej oraz osoby bez odpowiedniego doświadczenia i wiedzy, mogą korzystać z urządzenia wyłącznie pod nadzorem lub po otrzymaniu odpowiednich instrukcji dotyczących bezpiecznego użytkowania urządzenia oraz pod warunkiem, że rozumieją zagrożenia związane z obsługą urządzenia. Dzieci nie mogą używać tego urządzenia do zabawy. Dzieci nie mogą czyścić ani konserwować urządzenia bez nadzoru.

⚠ **OSTROŻNIE:** W przypadku pęknięcia szklanej powierzchni płyty grzejnej natychmiast wyłączyć wszystkie palniki oraz elektryczne elementy grzejne i odłączyć urządzenie od zasilania; nie dotykać powierzchni urządzenia; nie korzystać z urządzenia.

Szklana pokrywa może pęknąć, jeśli zostanie podgrzana. Należy wyłączyć wszystkie palniki oraz płyty elektryczne przed zamknięciem pokrywy. Nie zamykać pokrywy, jeśli palnik jest zapalony.

⚠ **OSTRZEŻENIE:** Urządzenie i jego łatwo dostępne części mogą nagrzewać się podczas pracy. Należy uważać, aby nie dotknąć elementów grzejnych. Dzieci do lat 8 nie mogą znajdować się w pobliżu urządzenia bez stałego nadzoru.

### DOZWOLONE ZASTOSOWANIE

⚠ **OSTROŻNIE:** urządzenie nie zostało przeznaczone do obsługi za pomocą zewnętrznego urządzenia, np. timera, ani niezależnego systemu zdalnego sterowania.

⚠ To urządzenie jest przeznaczone do użytku w gospodarstwach domowych oraz do podobnych zastosowań takich jak: kuchnie dla pracowników w sklepach, biurach i innych środowiskach roboczych; gospodarstwa rolne; wykorzystanie przez klientów w hotelach, motelach oraz innych obiektach mieszkalnych.

⚠ Wszelkie inne zastosowania (np. ogrzewanie pomieszczeń) są zabronione.

⚠ To urządzenie nie jest przeznaczone do użytku przemysłowego. Urządzenia nie należy używać na zewnątrz.

⚠ Garnki lub patelnie powinny mieć średnicę dna równą lub nieco większą od palnika (patrz specjalna tabela). Upewnić się, że garnki postawione na ruszcie nie wystają poza krawędź płyty kuchennej.

⚠ Niewłaściwe użytkowanie rusztu może skutkować uszkodzeniem płyty kuchennej. Nie należy ustawiać rusztu do góry nogami lub przesuwając go po płycie kuchennej.

Nie dopuszczać, aby płomień palnika wychodził poza krawędź dna naczynia. Jeżeli powierzchnia płyty jest ze szkła, nie używać płyt żeliwnych, kamiennych grillów, garnków i patelni z terakoty.

Nie wolno używać: dyfuzorów ciepła takich jak siatki metalowe lub innych; dwóch palników jednocześnie dla jednego pojemnika (np. brytfanna do ryb). Jeśli zapalenie palnika będzie utrudnione z powodu szczególnych lokalnych warunków dostarczania gazu, zaleca się powtórzenie czynności przy pokrętle skręconym do uzyskania małego płomienia.



W przypadku montowania okapu nad płytą kuchenną należy odnieść się do instrukcji montowania okapu, aby sprawdzić prawidłową odległość między nim a płytą kuchenną.

Ochronne podkładki gumowe na rusztach mogą prowadzić do zadławienia małych dzieci. Po zdjęciu rusztu należy upewnić się, że wszystkie ochraniacze zostały prawidłowo założone.

## INSTALACJA

⚠ Przemieszczanie i montaż urządzenia wymaga udziału co najmniej dwóch osób – ryzyko obrażeń. Podczas wypakowywania i instalacji stosować rękawice ochronne - ryzyko skaleczenia.

⚠ Połączenia elektryczne i gazowe muszą być wykonane zgodnie z lokalnymi przepisami.

⚠ Instalacje, np. wodne (jeżeli dotyczy), podłączenia elektryczne i wszelkie naprawy powinny być przeprowadzane przez wykwalifikowanego technika. Nie należy naprawiać ani wymieniać żadnej części urządzenia, jeśli nie jest to wyraźnie dozwolone w instrukcji obsługi. Nie należy pozwalać dzieciom zbliżać się do miejsca instalacji. Po rozpakowaniu urządzenia należy sprawdzić, czy nie zostało ono uszkodzone podczas transportu. W przypadku problemów należy skontaktować się z najbliższym serwisem technicznym. Po zakończeniu instalacji niepotrzebne elementy opakowania (plastik, elementy ze styropianu, itd.) należy przechowywać poza zasięgiem dzieci - ryzyko uduszenia. Przed przystąpieniem do jakichkolwiek czynności montażowych urządzenie należy odłączyć od zasilania elektrycznego – ryzyko porażenia prądem. Podczas instalacji upewnić się, że urządzenie nie może uszkodzić przewodu zasilającego – ryzyko pożaru lub porażenia prądem. Urządzenie można uruchomić dopiero po zakończeniu instalacji.

⚠ OSTRZEŻENIE: Dla zapewnienia bezpiecznego i prawidłowego użytkowania urządzenia we wszystkich pozostałych krajach, niezbędne jest przeprowadzenie modyfikacji urządzenia i sposobu jego instalacji.

⚠ Używać regulatorów ciśnienia odpowiednich do ciśnienia gazu wskazanego w Instrukcji.

⚠ Pomieszczenie musi być wyposażone w system poboru powietrza, wydalający wszystkie możliwe spaliny.

⚠ Pomieszczenie musi również posiadać odpowiednią wentylację, ponieważ dopływ powietrza jest niezbędny do prawidłowego przebiegu procesu spalania. Przepływ powietrza nie może być mniejszy niż 2 m<sup>3</sup>/godz. na kW zainstalowanej mocy.

⚠ System cyrkulacji powietrza może pobierać powietrze bezpośrednio z zewnątrz, za pomocą przewodu o przekroju wewnętrznym o średnicy co najmniej 100 cm<sup>2</sup>; otwór nie może być podatny na żadnego rodzaju blokady.

⚠ System może również dostarczać powietrze potrzebne do spalania w sposób pośredni, np. z przyległych pokoi wyposażonych w opisane wyżej przewody cyrkulacji powietrza. Pokoje te nie mogą być jednak pokojami wspólnymi, sypialniami lub pokojami, w których występuje zagrożenie pożarowe.

⚠ Płynny gaz ziemny, jako cięższy od powietrza, opada na podłogę. Dlatego też pomieszczenia, w których znajdują się butle z gazem LPG, muszą być wyposażone w wentylację,

umożliwiającą migrację gazu w przypadku wystąpienia nieszczelności. Dlatego też, butle z gazem LPG, częściowo ani całkowicie pełne, nie mogą być instalowane ani przechowywane w pomieszczeniach ani obszarach przechowywania znajdujących się pod poziomem ziemi (w piwnicach itd.). Zaleca się przechowywanie wyłącznie butli użytkowanych w danym pomieszczeniu, umieszczonych w taki sposób, by nie były narażone na kontakt z zewnętrznymi źródłami ciepła (piekarnikiem, kominkiem, piecem itp.), co mogłyby doprowadzić do podniesienia temperatury butli powyżej 50°C.

W razie problemów z obracaniem pokręteł palników, należy skontaktować się z serwisem w celu wymiany zaworów palnika, jeżeli okażą się one wadliwe. Nigdy nie zakrywać otworów używanych do wentylacji i dyspersji ciepła.

⚠ Przed wstawieniem urządzenia przyciąć szafkę i usunąć trociny i wióry.

⚠ Jeśli urządzenie nie zostało zainstalowane nad piekarnikiem, w szafce pod urządzeniem należy zamontować panel oddzielający (brak w zestawie).

## PODŁĄCZENIE GAZU

⚠ OSTRZEŻENIE: Przed przystąpieniem do montażu należy upewnić się, że lokalne warunki dystrybucji (rodzaj gazu i ciśnienie gazu) oraz konfiguracja urządzenia są zgodne.

⚠ Sprawdzić, czy ciśnienie zasilającego gazu jest zgodne z wartościami podanymi w Tabeli „Specyfikacje palników i dysz”.

⚠ OSTRZEŻENIE: Warunki dostosowania tego urządzenia określono w tabeli (lub na tabliczce znamionowej).

⚠ OSTRZEŻENIE: Urządzenie to nie jest podłączone do wyciągu produktów spalania. być zamontowane i podłączone zgodnie z obowiązującymi przepisami instalacyjnymi. Szczególną uwagę należy zwrócić na odpowiednie wymagania dotyczące wentylacji.

⚠ Jeśli urządzenie jest podłączone do gazu płynnego, śruba regulacyjna powinna zostać dokręcona możliwie jak najmocniej.

⚠ WAŻNE: W przypadku montażu butli z gazem lub pojemnika z gazem należy je odpowiednio osadzić (orientacja pionowa).

⚠ OSTRZEŻENIE: Ta operacja powinna być przeprowadzona przez wykwalifikowanego technika.

⚠ Do podłączenia gazowego należy używać wyłącznie elastycznego lub sztywnego węża metalowego.

⚠ Połączenie ze sztywnym przewodem (miedzianym lub stalowym). Podłączenie do instalacji gazowej należy przeprowadzić tak, aby w żaden sposób nie obciążyć urządzenia. Na rampie zasilającej urządzenie znajduje się nastawne złącze przewodu w kształcie litery L a montuje się je razem z uszczelką, aby zapobiec przeciekom. Po obróceniu złącza przewodu, uszczelkę należy zawsze wymieniać (uszczelka jest dostarczona wraz z urządzeniem). Złącze przewodu zasilania gazem to gwintowane, męskie przyłącze gazowe 1/2.

⚠ Podłączenie giętkiego bezszwowego stalowego przewodu do gwintowanego przyłączenia. Złącze przewodu zasilania gazem to gwintowane, męskie przyłącze gazowe 1/2. Przewody te muszą zostać



zainstalowane w taki sposób, by przy pełnym rozwinięciu nie przekraczały 2000 mm długości. Po wykonaniu podłączeń należy upewnić się, że elastyczny przewód metalowy nie dotyka żadnych ruchomych części i nie jest poddawany naciskowi. Należy używać wyłącznie przewodów i uszczelek, które są zgodne z obowiązującymi przepisami krajowymi.

⚠️ **WAŻNE:** W przypadku użycia węża ze stali nierdzewnej, należy go zainstalować w taki sposób, aby nie dotykał żadnej ruchomej części umeblowania (np. szafki). Musi on przechodzić przez obszar wolny od jakichkolwiek przeszkód i umożliwiający kontrolę na całej długości.

⚠️ Urządzenie należy podłączyć do źródła zasilania gazowego lub butli gazowej zgodnie z obowiązującym przepisami krajowymi. Przed wykonaniem podłączenia, upewnić się, że urządzenie jest kompatybilne z zasilaniem gazu, jakie ma zostać użyte. W przeciwnym razie, należy postępować zgodnie z instrukcjami podanymi w rozdziale „Dostosowanie do różnych typów gazu”.

⚠️ Po podłączeniu urządzenia do instalacji gazowej należy sprawdzić podłączenie pod kątem wycieków przy użyciu wody z mydłem. Zapalić palniki i przekręcić pokrętła od pozycji maksymalnej 1\* do pozycji minimalnej 2\*, aby sprawdzić stabilność płomienia.

#### **DOSTOSOWANIE DO RÓŻNYCH TYPÓW GAZU**

(Ta operacja musi być wykonana przez wykwalifikowanego technika).

⚠️ W celu dostosowania urządzenia do rodzaju gazu innego niż ten dla którego zostało wyprodukowane (zaznaczono na tabliczce znamionowej) należy postępować zgodnie ze wskazówkami umieszczonymi pod rysunkami dotyczącymi instalacji urządzenia.

#### **OSTRZEŻENIA DOTYCZĄCE ELEKTRYCZNOŚCI**

⚠️ **WAŻNE:** Informacje dotyczące poboru prądu i napięcia są umieszczone na tabliczce znamionowej.

⚠️ Musi istnieć możliwość odłączenia urządzenia od źródła zasilania przez wyjęcie wtyczki (jeśli wtyczka jest dostępna) lub za pomocą dostępnego przełącznika wielobiegowego, zainstalowanego w przewodzie do gniazda zasilania zgodnie z obowiązującymi normami krajowymi; urządzenie musi także posiadać uziemienie zgodne z obowiązującymi normami krajowymi dotyczącymi sprzętu elektrycznego.

⚠️ Przewód zasilający powinien mieć wystarczającą długość, aby umożliwić podłączenie zabudowanego urządzenia do sieci. Nie ciągnąć za przewód zasilający.

⚠️ Nie stosować przedłużaczy, rozdzielaczy ani adapterów. Po zakończeniu instalacji użytkownik nie powinien mieć dostępu do podzespołów elektrycznych urządzenia. Nie korzystać z urządzenia, będąc mokrym lub bez obuwia. Nie uruchamiać urządzenia, jeżeli kabel zasilający lub wtyczka są uszkodzone, jeśli urządzenie nie działa prawidłowo lub jeśli zostało ono uszkodzone bądź upuszczone.

⚠️ Jeśli przewód zasilający jest uszkodzony, jego wymiana na identyczny powinna być przeprowadzona

przez producenta, pracownika serwisu lub inną podobnie wykwalifikowaną osobę w celu uniknięcia niebezpieczeństwa – ryzyko porażenia prądem.


#### **CZYSZCZENIE I KONSERWACJA**

⚠️ **OSTRZEŻENIE:** Sprawdzić, czy urządzenie zostało wyłączone i odłączone od źródła zasilania przed przystąpieniem do czynności konserwacyjnych; Nigdy nie należy stosować urządzeń czyszczących parą. Występuje ryzyko porażenia prądem.

⚠️ Nie należy używać środków ściernych, żrących, środków na bazie chloru ani środków do szorowania.

⚠️ Aby nie uszkodzić elektrycznego urządzenia zapłonowego, nie wolno go używać, gdy palniki nie są na swoich miejscach.


#### **UTYLIZACJA OPAKOWANIA**

Materiał, z którego zrobione jest opakowanie, w 100% nadaje się do recyklingu i jest oznaczony symbolem .

Części opakowania nie należy wyrzucać, lecz zutylizować zgodnie z przepisami określonymi przez lokalne władze.

#### **UTYLIZACJA URZĄDZEŃ AGD**

Urządzenie zostało wykonane z materiałów nadających się do recyklingu lub do ponownego użycia. Urządzenie należy utylizować zgodnie z miejscowymi przepisami dotyczącymi gospodarki odpadami. Aby uzyskać więcej informacji na temat utylizacji, odzyskiwania oraz recyklingu urządzeń AGD należy skontaktować się z lokalnym urzędem, punktem skupu złomu lub sklepem, w którym zakupiono urządzenie. To urządzenie jest oznaczone zgodnie z dyrektywą Unii Europejskiej 2012/19/UE w sprawie zużytego sprzętu elektrotechnicznego i elektronicznego (WEEE) oraz z przepisami dotyczącymi sprzętu elektrycznego i elektronicznego z 2013 r. (w brzmieniu zmienionym). Właściwa utylizacja urządzenia pomoże zapobiec ewentualnym negatywnym skutkom dla środowiska oraz zdrowia ludzkiego.

Symbol  na urządzeniu lub w dołączonej do niego dokumentacji oznacza, że urządzenia nie wolno traktować jak zwykłego odpadu domowego. Należy je przekazać do punktu zajmującego się utylizacją i recyklingiem urządzeń elektrycznych i elektronicznych.

#### **WSKAZÓWKI DOTYCZĄCE OSZCZĘDZANIA ENERGII**

Używać naczyń i patelni, których szerokość spodu jest równa szerokości strefy grzewczej.

Stosować tylko garnki i patelnie o płaskim dnie.

Jeśli to możliwe, podczas gotowania przykrywać naczynia pokrywkami.

Dzięki naczyniom ciśnieniowym można zmniejszyć zużycie energii i skrócić czas gotowania.

#### **DEKLARACJA ZGODNOŚCI**

To urządzenie spełnia wymagania: ekoprojektu z Rozporządzenia Komisji (UE) nr 66/2014 oraz rozporządzeń z 2019 r. dotyczących ekoprojektu dla produktów związanych z energią oraz informacji na temat energii (zmiana) (wyjście z UE), zgodnie z normą europejską EN 30-2-1.

Rodzaj stosowanego gazu	Rodzaj palnika	Oznakowanie dyszy	Znamionowa wydajność termiczna kW	Zużycie znamionowe	Znamionowa moc cieplna kW	Ciśnienie gazu mbar		
						min.	nom.	maks.
GAZ ZIEMNY (Metan) <b>G20</b>	Dużej mocy (R)	128 B	3,00	286 l/h	0,70	17	20	25
	Średni (SR)	97	1,75	167 l/h	0,40			
	Pomocniczy (AUX)	78 A	1,00	95 l/h	0,40			
	Podwójna korona (DC)	141	4,00	381 l/h	2,20			
GAZ ZIEMNY <b>G2.350</b>	Dużej mocy (R)	181	3,00	397 l/h	0,70	10	13	16
	Średni (SR)	135	1,75	231 l/h	0,40			
	Pomocniczy (AUX)	104 A	1,00	132 l/h	0,40			
	Podwójna korona (DC)	205	4,00	529 l/h	2,20			
GAZ ZIEMNY <b>G27</b>	Dużej mocy (R)	143	3,00	348 l/h	0,70	16	20	23
	Średni (SR)	112	1,75	203 l/h	0,40			
	Pomocniczy (AUX)	84	1,00	116 l/h	0,40			
	Podwójna korona (DC)	158	4,00	464 l/h	2,20			
GAZ LPG (Butan) <b>G30</b>	Dużej mocy (R)	85 A	3,00	218 g/h	0,85	25	37	45
	Średni (SR)	63	1,75	127 g/h	0,50			
	Pomocniczy (AUX)	47	1,00	73 g/h	0,45			
	Podwójna korona (DC)	95 A	4,00	291 g/h	2,20			
GAZ LPG (Propan) <b>G31</b>	Dużej mocy (R)	85 A	3,00	214 g/h	0,85	25	37	45
	Średni (SR)	63	1,75	125 g/h	0,50			
	Pomocniczy (AUX)	47	1,00	71 g/h	0,45			
	Podwójna korona (DC)	95 A	4,00	286 g/h	2,20			

Rodzaj stosowanego gazu	Konfiguracja modelu 5 PALNIKÓW	Znamionowa wydajność termiczna (kW)	Zużycie znamionowe całkowite	Objętość powietrza (m <sup>3</sup> ) wymagana do spalania 1m <sup>3</sup> gazu
<b>G20</b> 20 mbar	1R - 2SR - 1AUX - 1DC	11,50	1095 l/h	9,52
<b>G2.350</b> 13 mbar	1R - 2SR - 1AUX - 1DC	11,50	1521 l/h	6,85
<b>G27</b> 20 mbar	1R - 2SR - 1AUX - 1DC	11,50	1335 l/h	7,90
<b>G30</b> 37 mbar	1R - 2SR - 1AUX - 1DC	11,50	836 g/h	30,94
<b>G31</b> 37 mbar	1R - 2SR - 1AUX - 1DC	11,50	821 g/h	23,80

ZASILANIE ELEKTRYCZNE: 220-240 V ~ 50-60 Hz - 0,6 W

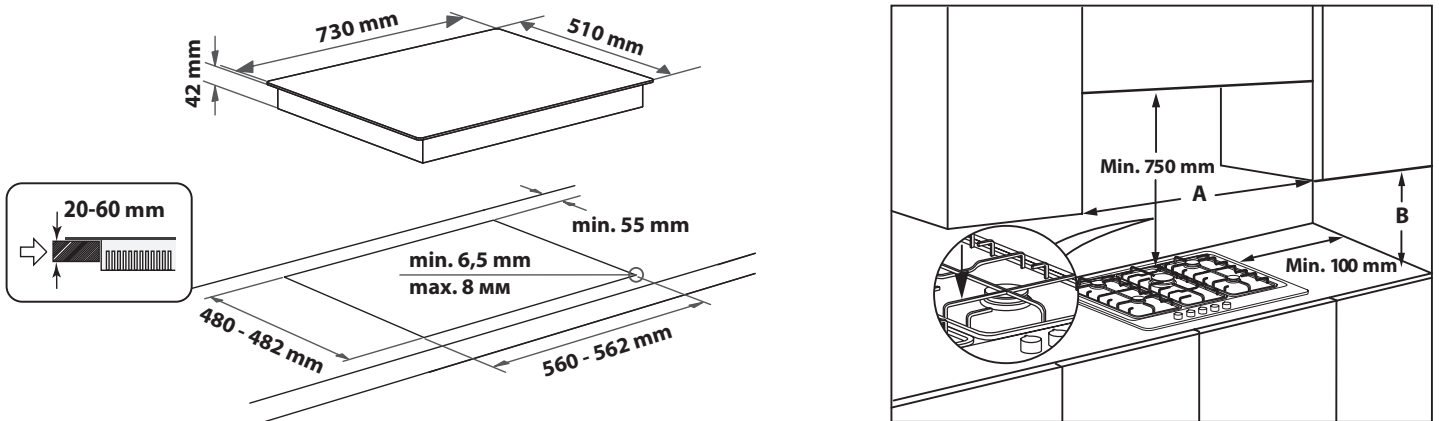


## INSTALACJA (KLASA 3)

### INFORMACJE TECHNICZNE DLA INSTALATORA

- Podczas przenoszenia, przygotowania i instalowania urządzenia należy używać rękawic ochronnych.
- Niniejsze urządzenie można osadzać w blatach roboczych o grubości od 20 do 60 mm.
- Jeśli pod płytą kuchenną nie ma piekarnika, należy zainstalować płytę oddzielającą, której powierzchnia jest co najmniej równa otworowi w blacie roboczym. Odległość pomiędzy ww. płytą oddzielającą, która musi całkowicie pokrywać wycięcie, aby zapobiec kontaktowi ze spodem płyty kuchennej, a górną powierzchnią blatu roboczego nie może przekraczać 150 mm. W żadnym przypadku odległość pomiędzy płytą oddzielającą a dolną częścią płyty kuchennej nie może być mniejsza od 20 mm. Jeżeli użytkownik zamierza zainstalować piekarnik pod płytą kuchenną, powinno to być urządzenie wyposażone w układ chłodzenia.

### OBLIGATORYJNE WYMIARY I ODLEGŁOŚCI



**UWAGA:** Jeśli odległość "A" pomiędzy szafkami ściennymi mieści się w przedziale od 600 mm do 730 mm, to wysokość "B" musi wynosić minimum 530 mm. Jeśli odległość "A" pomiędzy szafkami ściennymi jest większa od szerokości płyty, to wysokość "B" musi wynosić co najmniej 400 mm. W razie instalowania okapu nad płytą prawidłową odległość należy sprawdzić w instrukcji okapu.

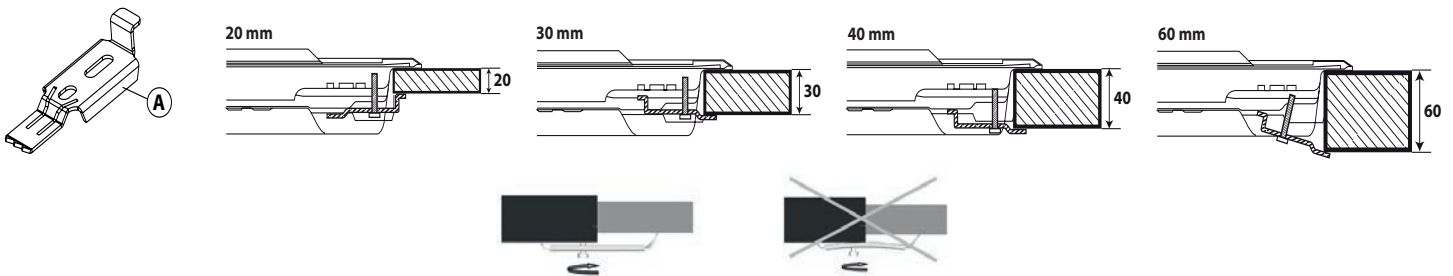
### MONTAŻ

Po oczyszczeniu powierzchni na obwodzie należy zamontować dostarczoną uszczelkę na płycie kuchennej.

Ustawić płytę kuchenną w otworze blatu roboczego przestrzegając wymiarów podanych w karcie opisowej urządzenia.

**Uwaga:** Przewód zasilający musi być wystarczająco długi, aby umożliwić wyjęcie płyty do góry.

Aby zamocować płytę kuchenną, należy użyć dostarczonych w zestawie elementów mocujących (A). Przymocować elementy do odpowiednich otworów wskazanych strzałką, a następnie przykręcić wkrętami w zależności od grubości blatu roboczego (patrz poniższe rysunki).

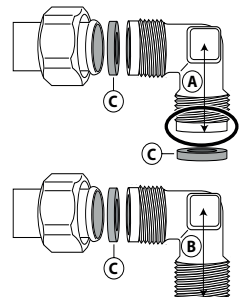


### PODŁĄCZENIE GAZOWE

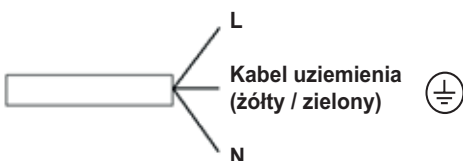
- Podłączyć kolanko (A)\* lub (B)\* dostarczone z główną rurą wlotową płyty, używając dołączonej podkładki (C), zgodnie z EN 549.

\* We Francji należy użyć kolanka (A), natomiast w innych krajach należy użyć kolanka (B).

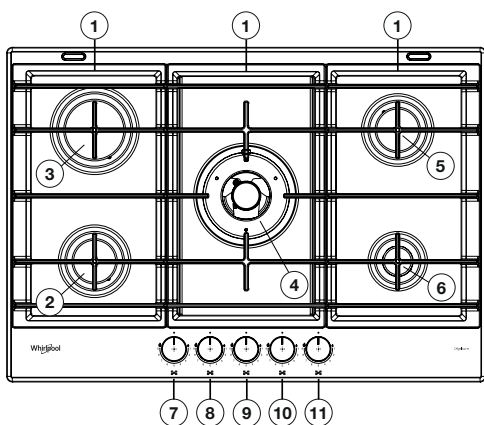
- Po podłączeniu do sieci gazowniczej należy sprawdzić szczelność za pomocą wody z mydłem. Zapalić palniki i przekręcić pokrętkę od pozycji maksymalnej do pozycji minimalnej aby sprawdzić stabilność płomienia.



### PODŁĄCZENIE ELEKTRYCZNE



# OPIS PRODUKTU



1. Zdejmowane kratki do stawiania naczyń
2. Palnik Średni
3. Palnik Dużej mocy
4. Palnik 2-Pierścieniowy
5. Palnik Średni
6. Palnik Pomocniczy
7. Pokrętko regulacji palnika średniego
8. Pokrętko regulacji palnika dużej mocy
9. Pokrętko regulacji palnika 2-Pierścieniowego
10. Pokrętko regulacji palnika średniego
11. Pokrętko regulacji palnika pomocniczego

## Symbole

- Wypełnione kółko ● Zawór zamknięty
- Duży płomień 🔥 Maksymalne otwarcie/podawanie i elektryczny zapłon
- Mały płomień 🔥 Minimalne otwarcie lub obniżone dostarczanie



# CODZIENNA EKSPLOATACJA

## JAK KORZYSTAĆ Z PŁYTY

⚠ Nie dopuszczać, aby płomień palnika wychodził poza krawędź dna naczynia.

**WAŻNE: gdy płyta pracuje, cały jej obszar może być gorący.**

- Aby zapalić jeden z palników, należy obrócić odpowiednie pokrętko przeciwnie do ruchu wskazówek zegara, w położenie maksymalnego płomienia.
- Nacisnąć pokrętko w kierunku do pulpitu sterującego, aby dokonać zapłonu palnika.
- Po zapłonie palnika trzymać pokrętko wciśnięte przez ok. 5-10 sekund, aby umożliwić prawidłowe zadziałanie mechanizmu.
- Zabezpieczenie, w które jest wyposażony palnik, zablokuje wypływ gazu w sytuacji przypadkowego zgaśnięcia (podmuchy powietrza, chwilowy brak gazu, wykipienie płynów itd.).
- **Nie wciskać pokrętła na dłużej niż 15 s. Jeżeli po upływie tego czasu palnik gaśnie, należy odczekać co najmniej jedną minutę przed podjęciem następnej próby zapłonu. W razie przypadkowego zgaszenia płomienia, wyłączyć pokrętko palnika i odczekać co najmniej minutę przed ponownym włączeniem.**

**UWAGA: Jeżeli parametry gazu dostarczanego w danym regionie powodują, że zapłon palnika jest utrudniony, zaleca się wykonanie ponownego zapłonu, ale przy położeniu pokrętła na symbolu małego płomienia.**

**Palnik może zgasnąć po zwolnieniu pokrętła.** Oznacza to, że mechanizm zabezpieczający nie rozgrzał się w wystarczającym stopniu. W takim przypadku należy powtórzyć czynności opisane powyżej.

W przypadku przypadkowego zgaśnięcia płomienia palnika, zakręcić pokrętko sterujące i ponowić próbę zapalenia po upływie przynajmniej 1 minutę.

## PORADY PRAKTYCZNE UŻYTKOWANIA PALNIKÓW

Płyta została wyposażona w palniki o różnych średnicach. W celu zapewnienia optymalnej wydajności palników należy przestrzegać następujących zasad:

- korzystać z garnków i patelni o szerokości dna takiej samej lub nieco większej od szerokości palników (patrz tabela po prawej stronie),
- używać wyłącznie garnków i patelni z płaskim dnem;
- do gotowania używać odpowiedniej ilości wody i przykrywać garnek pokrywą;
- upewnić się, że garnki stojące na kratkach nie wystają poza krawędź płyty,
- w przypadku patelni z wypukłym dnem (woków) należy korzystać z kratki podpierającej (brak w komplecie), którą należy umieszczać wyłącznie na palniku 2-pierścieniowym,
- unikać przypadkowych uderzeń garnkami, rusztami lub innymi przyrządami kuchennymi;
- nie zostawiać pustej patelni grillowej na palniku na dłużej niż 5 minut.

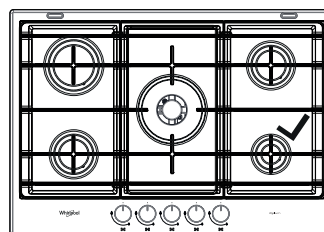
**WAŻNE: nieprawidłowe używanie kratki może powodować uszkodzenie płyty: nie kłaść kratki spodem do góry ani nie przesuwaj ich po powierzchni płyty.**

PALNIK	Ø GARNKA
Podwójna korona	Od 24 do 26 cm
Dużej mocy	Od 24 do 26 cm
Średni	Od 16 do 22 cm
Pomocniczy	Od 8 do 14 cm

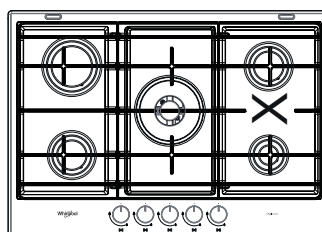
Nie należy używać:

- Żelicznych form do pieczenia, kamiennych płyt, garnków i patelni z terakoty.
- Rozpraszaczy ciepła takich jak siatki metalowe i inne.
- Jednocześnie dwóch palników do jednego naczynia (np. kocioł do gotowania ryb).

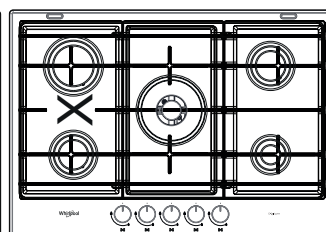
## PRAWDŁOWE UMIESZCZENIE ZDEJMOWANYCH KRATEK DO STAWIANIA NACZYŃ



OK



NO



NO

## USTAWIANIE DO RÓŻNYCH RODZAJÓW GAZU

⚠ Ta czynność powinna być wykonana przez wykwalifikowanego technika. Jeżeli urządzenie ma pracować z wykorzystaniem gazu innego typu niż podany na tabliczce znamionowej oraz naklejce informacyjnej znajdującej się na górze płyty kuchennej, należy wymienić dysze. Naklejkę informacyjną należy zdjąć i przechowywać łącznie z instrukcją obsługi.

**Należy zastosować reduktory gazu odpowiednie dla ciśnień podanych w instrukcji:**

- Dyszegazowemusząbyćwymienianewserwisilubprzezwykwalifikowanego technika.
- Dysze, które nie zostały dostarczone wraz z urządzeniem, muszą być zamówione w serwisie.
- Regulacja minimalnego ustawienia zaworów.

**UWAGA: Jeżeli używany jest gaz LPG (G30/G31), śruba regulacji minimalnego ustawienia gazu musi zostać wkręcona do oporu.**

**WAŻNE: W razie problemów z obracaniem pokręteł palników należy skontaktować się z serwisem w celu wymiany zaworów palnika, jeżeli okażą się one wadliwe.**

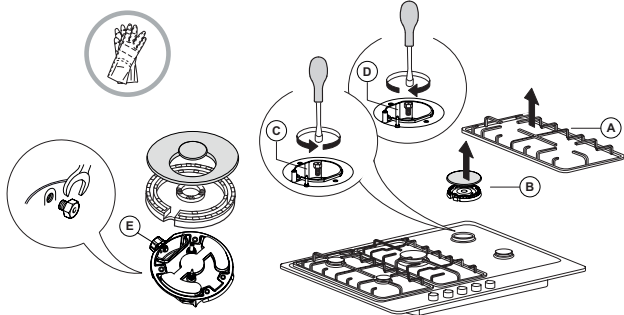
**WAŻNE: W przypadku korzystania z gazu w butlach należy zapewnić odpowiednie ustawienie butli (w pozycji pionowej).**



## WYMIANA DYSZ (patrz tabela dysz we Wskazówkach dotyczących bezpieczeństwa)

⚠ Ta czynność powinna być wykonana przez wykwalifikowanego technika.

- Zdjąć ruszt (A).
- Wyjąć palniki (B).
- Odpowiednim kluczem nasadowym odkręcić dyszę (C) do wymiany.
- Dokonać wymiany na dyszę odpowiednią dla nowego rodzaju gazu.
- Ponownie zamontować dyszę (D).
- W przypadku palnika z wieloma koronami należy użyć klucza płaskiego do wymiany dyszy (E).



Przed zainstalowaniem płyty kuchennej pamiętać o przymocowaniu płytki kalibracji gazu dostarczonej wraz z dyszami w taki sposób, aby przykryła ona obecną informację dotyczącą kalibracji gazu.

## REGULACJA MINIMALNYCH USTAWIEŃ GAZU W ZAWORACH

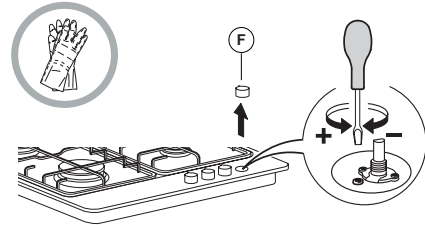
⚠ Ta czynność powinna być wykonana przez wykwalifikowanego technika. Regulacji należy dokonywać, gdy zawór jest ustawiony na pozycji minimalnego gazu (mały płomień) ⚡.

Powietrze pierwotne palników nie wymaga regulacji.

Aby upewnić się, że ustawienie minimalne jest prawidłowo wyregulowane, należy zdjąć pokrętło (F) i wykonać następujące czynności:

- dokręcić (-), aby zredukować wysokość płomienia;
- poluzować (+), aby zwiększyć wysokość płomienia.

Na tym etapie należy zapalić palniki i przekręcić pokrętła od pozycji maksymalnej ⚡ do pozycji minimalnej ⚡ aby sprawdzić stabilność płomienia.



Po zakończeniu regulacji, należy dokonać ponownego uszczelnienia używając kitu próżniowego lub równoważnego materiału.

## WIELOPOZIOMOWY PŁOMIEŃ

POZIOM	METODY/RODZAJE GOTOWANIA (SUGEROWANE DLA)	WSKAZÓWKI DOTYCZĄCE GOTOWANIA
1-2	PODGRZEWANIE	Idealne do zmiękczenia masła, delikatnego roztapiania czekolady w kąpeli wodnej, rozmrażania małych porcji, zagęszczania risotto.
	DELIKATNE GOTOWANIE	
3-4	GOTOWANIE NA WOLNYM OGNIU	Idealne do wolno gotujących się potraw (ryż, sosy, pieczenie, ryby) z płynnymi dodatkami (np. wodą, winem, bulionem), oraz do zagęszczania dań z makaronu, delikatnego gotowania.
	DUSZENIE	
5-6	PIECZENIE	Idealne do smażenia w małej ilości tłuszczu, duszenia warzyw, dłuższego gotowania, podgrzewania akcesoriów kuchennych, gotowania aż do zagęszczenia potrawy.
	SMAŻENIE	
7-8	SMAŻENIE W RUCHU	Doskonały do przyrumieniania, podgotowywania, smażenia produktów głęboko zamrożonych, grillowania mięs i ryb, szybkiego doprowadzania płynów do wrzenia.
	GRILLOWANIE	
9	SZYBKIE PODGRZEWANIE	Idealne do szybkiego podwyższenia temperatury jedzenia lub do podgrzewania płynów (np. wody).

## KONSERWACJA I CZYSZCZENIE

⚠ Odłączyć urządzenie od zasilania.

### CZYSZCZENIE POWIERZCHNI PŁYTY KUCHENNEJ

- Wszystkie części emaliowane i szklane należy czyścić ciepłą wodą i neutralnym roztworem.
- Powierzchnie ze stali nierdzewnej mogą ulec odbarwieniu w wyniku zbyt długiego kontaktu z zakamienioną wodą lub agresywnymi detergentami. Wszelkie rozlane resztki potraw (woda, sos, kawa, itp.) należy wytrzeć zanim zaschną.
- Czyścić ciepłą wodą z neutralnym detergentem, a następnie osuszyć miękką ściereczką lub irchą. Przypieczony brud należy usuwać przy pomocy specjalnych czyścików do powierzchni ze stali nierdzewnej.

**Uwaga: Stal nierdzewną czyścić jedynie miękką ściereczką lub gąbką.**

- Nie używać środków ściernych i żrących, czyścików na bazie chloru ani druciaków do patelni.
- Nie korzystać z urządzeń czyszczących parą.
- Nie stosować produktów łatwopalnych.
- Nie pozostawiać na płycie rozlanych substancji kwaśnych lub alkalicznych, jak np. octu, musztardy, soli, cukru lub soku cytrynowego.

### CZYSZCZENIE ELEMENTÓW PŁYTY

- Ruszty, korony palników i palniki można zdemontować do czyszczenia.
- Należy je czyścić ręcznie ciepłą wodą z nieściernym detergentem. Ostrożnie usuwać wszelkie pozostałości żywności. Sprawdzić, czy żaden z otworów palników nie jest zatkany.
- Ostrożnie opłukać i wysuszyć.
- **Ruszty żeliwne można myć w zmywarce. Usunąć wszelkie przypalone potrawy przed umieszczeniem rusztów w najniższym koszu zmywarki.**
- Zainstalować palniki i grzybki palników w prawidłowy sposób, umieszczając je w odpowiednich miejscach.
- Przy zakładaniu kratki należy upewnić się, czy miejsca na naczynia są wyrównane z palnikami.
- Modele wyposażone w elektryczne świece zapłonowe oraz urządzenie zabezpieczające wymagają dokładnego czyszczenia końcówek świec, w celu zapewnienia ich prawidłowego działania. Elementy te należy często kontrolować i czyścić wilgotną ściereczką w miarę potrzeb. Przypieczoną żywność należy usuwać wykałaczką lub igłą.

**Uwaga: Aby nie uszkodzić elektrycznego urządzenia zapłonowego, nie wolno go używać, gdy palniki nie są na swoich miejscach.**



## USUWANIE USTEREK

Jeśli płyta nie pracuje prawidłowo, przed wezwaniem serwisu należy zapoznać się z instrukcją wyszukiwania i usuwania usterek, aby ustalić na czym polega problem.

### 1. Nie można zapalić palnika lub płomień jest nierównomierny

Sprawdzić, czy:

- zasilanie gazowe lub elektryczne nie są odcięte, zwłaszcza jeżeli zawór na linii gazowej jest otwarty.
- butla gazowa (gaz LPG) nie jest pusta.
- otwory palników nie są zatkane.
- końcówka świecy nie jest brudna.
- wszystkie elementy palnika zostały prawidłowo ustawione.
- nie ma przeciągów w pobliżu kuchni.

### 2. Palnik gaśnie

Sprawdzić, czy:

- podczas zapalania palnika pokrętko zostało przytrzymane wystarczająco długo, aby uaktywnić zabezpieczenie.
- otwory palnika nie są zatkane w pobliżu termoelementu.
- końcówka urządzenia zabezpieczającego nie jest zanieczyszczona.
- ustawienie minimalne gazu jest prawidłowe (patrz stosowny rozdział).

### 3. Pojemniki nie są stabilne

Sprawdzić, czy:

- dno pojemnika jest idealnie płaskie
- pojemnik jest ustawiony centralnie nad palnikiem.
- ruszty nie zostały zamienione lub ustawione nieprawidłowo.

Jeśli pomimo powyższych zabiegów usterka wciąż się powtarza, należy skontaktować się z najbliższym serwisem technicznym.

## SERWIS TECHNICZNY

W celu uzyskania kompleksowej pomocy prosimy zarejestrować urządzenie na stronie [www.whirlpool.eu/register](http://www.whirlpool.eu/register).

### PRZED SKONTAKTOWANIEM SIĘ Z SERWISEM NALEŻY:

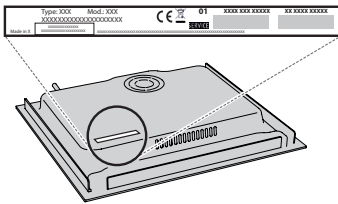
1. Sprawdzić, czy nie można samodzielnie rozwiązać problemu, zgodnie z zaleceniami opisanymi w paragrafie **USUWANIE USTEREK**.
2. Wyłączyć i ponownie włączyć urządzenie, aby sprawdzić, czy usterka nie ustąpiła.

**JEŚLI PO PRZEPROWADZENIU POWYŻSZYCH CZYNNOŚCI URZĄDZENIE NADAL NIE DZIAŁA PRAWIDŁOWO, NALEŻY SKONTAKTOWAĆ SIĘ Z NAJBLIŻSZYM AUTORYZOWANYM SERWISEM TECHNICZNYM.**

Aby otrzymać pomoc, należy zadzwonić pod numer znajdujący się w karcie gwarancyjnej lub postępować zgodnie z instrukcjami zamieszczonymi na stronie [www.whirlpool.eu](http://www.whirlpool.eu).

Kontaktując się z naszym serwisem posprzedażnym, należy zawsze podać:

- krótki opis usterki;
- dokładny typ i model urządzenia;



- numer seryjny (numer po literach „SN” na tabliczce znamionowej znajdującej się pod urządzeniem). Numer seryjny jest również podany w dokumentacji;



Mod. XXX XXX

Ind.C. XXXX XXXX XXXX

Prod.N. 86999XXXXXX S.N. XXXX XXXX XXXX

- dokładny adres;
- numer telefonu

Jeśli konieczna będzie naprawa, należy zwrócić się do autoryzowanego serwisu technicznego (zapewni to gwarancję zastosowania oryginalnych części zamiennych oraz właściwie przeprowadzonej naprawy).

Kompletní návod k obsluze si stáhněte na stránce <http://docs.whirlpool.eu> nebo zavolejte na telefonní číslo uvedené v záručním listě.

⚠ Tyto pokyny platí v případě, pokud je na spotřebiči uveden symbol země. Pokud takový symbol na přístroji není, je třeba nahlédnout do technických pokynů, kde naleznete potřebné informace týkající se úpravy nastavení spotřebiče na podmínky pro používání v dané zemi.

⚠ **UPOZORNĚNÍ:** Použití plynového sporáku vede k produkci tepla, vlhkosti a produktů spalování v místnosti, ve které je instalován. Ujistěte se, že je kuchyň dobře větraná, zvláště je-li spotřebič v provozu: ponechte otevřené otvory pro přirozenou ventilaci, nebo nainstalujte mechanické ventilační zařízení (mechanickou odtahovou digestoř). Dlouhé a intenzivní používání přístroje může vyžadovat další způsob větrání, například otevření okna, popřípadě efektivnější ventilaci zvýšením úrovně mechanické ventilace tam, kde je k dispozici.

⚠ Pokud se nebudete přesně řídit informacemi v této příručce, může dojít k požáru nebo výbuchu s následkem poškození majetku nebo zranění osob.

Před použitím spotřebiče si přečtěte tyto bezpečnostní pokyny. Mějte je při ruce pro účely pozdějšího použití.

V těchto pokynech a na samotném spotřebiči jsou uvedena důležitá bezpečnostní upozornění, která je třeba za všech okolností dodržet. Výrobce odmítá nést jakoukoli odpovědnost za poruchy, které byly způsobeny nedodržením bezpečnostních pokynů, nevhodným používáním spotřebiče nebo nesprávným nastavením ovladačů.

⚠ **VÝSTRAHA:** Pokud je varný povrch popraskaný, zařízení nepoužívejte. Riziko elektrického šoku.

⚠ **VÝSTRAHA:** Nebezpečí požáru: Na varném povrchu neskladujte žádné předměty.

⚠ **UPOZORNĚNÍ:** Proces vaření musí probíhat pod kontrolou. Krátké vaření musí být neustále monitorováno.

⚠ **VÝSTRAHA:** Vaření pokrmů s obsahem tuku nebo oleje bez dozoru na varné desce může být nebezpečné. Riziko požáru! NIKDY se nepokoušejte hasit oheň vodou. Spotřebič vypněte a pak plamen přikryjte pokličkou nebo hasicí dekou.

⚠ Varnou plochu nepoužívejte jako pracovní plochu nebo oporu. Do blízkosti spotřebiče nepokládejte oděvy nebo jiné hořlavé materiály, dokud veškeré součásti zcela nevychladnou. Riziko požáru!

⚠ Velmi malé děti (0–3 roky) je třeba držet v bezpečné vzdálenosti od spotřebiče. Malé děti (3–8 let) by se neměly ke spotřebiči přibližovat, pokud nejsou pod dozorem. Děti starší 8 let a osoby s fyzickým, smyslovým či duševním postižením nebo bez patřičných zkušeností a znalostí mohou tento spotřebič používat pouze pod dohledem nebo tehdy, pokud obdržely informace

o bezpečném použití spotřebiče a rozumějí rizikům, která s jeho používáním souvisejí. Nedovolte dětem, aby si se spotřebičem hrály. Nedovolte dětem, aby bez dohledu prováděly čištění a běžnou údržbu spotřebiče.

⚠ **UPOZORNĚNÍ:** V případě, že praskne sklo plotýnky: okamžitě vypněte všechny hořáky a všechny elektrické topné články a odpojte spotřebič od elektrické sítě, nedotýkejte se povrchu spotřebiče, spotřebič nepoužívejte. Skleněné víko se při zahřátí může rozlomit. Před zavřením víka vypněte všechny hořáky a elektrické plotýnky. Víko nezavírejte, pokud hořák hoří.

⚠ **VÝSTRAHA:** Spotřebič a jeho přístupné součásti se při použití zahřívají. Je třeba dbát opatrnosti, abyste se nedotkli topných těles. Děti mladší 8 let se nesmějí ke spotřebiči přibližovat, pokud nejsou pod dohledem dospělé osoby.

### POVOLENÉ POUŽITÍ

⚠ **UPOZORNĚNÍ:** Tento spotřebič není určen k řízení pomocí externího zařízení, jako je např. časovač, nebo samostatného systému dálkového ovládání.

⚠ Tento spotřebič je určen k použití v domácnostech a zařízeních, jako jsou: kuchyňské kouty pro zaměstnance v obchodech, kancelářích a na jiných pracovištích; statky; klienty hotelů, motelů, zařízení typu „bed & breakfast“ a jiných rezidenčních prostředích.

⚠ Není přípustné jej používat jiným způsobem (např. k vytápění místnosti).

⚠ Tento spotřebič není určen k profesionálnímu použití. Spotřebič nepoužívejte venku.

⚠ Používejte nádoby s průměrem dna stejným, jako je průměr varné zóny hořáku, nebo jen nepatrně větším (viz zvláštní tabulka). Dbejte na to, aby nádoby na mřížce nepřesahovaly okraj varné desky.

⚠ Nevhodné použití mřížek může plotnu poškodit: Nepokládejte mřížky na varnou desku obráceně ani je po desce neposouvejte.

Plamen hořáku nesmí přesahovat za okraj dna hrnce či pánve. Pokud je povrch varné desky vyroben ze skleněného materiálu, nepoužívejte litinové rošty, keramické kameny a terakotové hrnce nebo pánve.

Nepoužívejte: rozptylovače tepla, jako jsou kovové mřížky apod.; dva hořáky současně na jednu nádobu (např. hrnec na ryby).

Pokud konkrétní místní podmínky dodávky plynu znesnadňují zapálení hořáku, doporučujeme zopakovat postup s ovladačem nastaveným na malý plamen.

V případě instalace digestoře nad horní panel sporáku naleznete údaje o správné vzdálenosti digestoře od panelu sporáku v návodu k digestoři.

Malé děti by se při hře s ochrannými gumovými nožičkami na mřížkách mohly udusit. Po odstranění mřížek se prosím ujistěte, že všechny patky jsou správně nasazeny.

### INSTALACE

⚠ Stěhování a instalace spotřebiče vyžaduje minimálně dvě osoby – nebezpečí zranění. Při rozbalování a instalaci používejte ochranné rukavice – nebezpečí pořezání.

⚠ Připojení elektřiny a plynu musí být v souladu s místními předpisy.

⚠ Instalaci, včetně připojení přívodu vody (pokud nějaký existuje) a elektřiny, a opravy musí provádět kvalifikovaný technik. Neopravujte ani nevyměňujte žádnou část

spotřebiče, pokud to není výslovně uvedeno v návodu k použití. Nedovolte dětem, aby se přibližovaly k místu instalace. Po vybalení spotřebiče se přesvědčte, že nebyl při dopravě poškozen. V případě problémů se obraťte na prodejce nebo na nejbližší servisní středisko. Po instalaci musí být obalový materiál (plasty, polystyrenová pěna atd.) uložen mimo dosah dětí – nebezpečí udušení. Před zahájením instalace je nutné spotřebič odpojit od elektrické sítě – nebezpečí úrazu elektrickým proudem. Během instalace se ujistěte, že zařízení nepoškozuje napájecí kabel – nebezpečí požáru a úrazu elektrickým proudem. Zařízení nezapínejte, dokud nebyla ukončena instalace.

⚠ **VÝSTRAHA:** Modifikace spotřebiče a způsob jeho instalace mají za účelem bezpečného a správného používání spotřebiče ve všech dalších zemích zásadní důležitost.

⚠ Používejte regulátory tlaku vhodné pro tlak plynu uvedený v pokynech.

⚠ Místnost musí být vybavena systémem odsávání vzduchu, který vypudí veškeré spaliny. Může to být digestoř nebo elektrický ventilátor, které se zapnou automaticky s každým zapnutím spotřebiče.

⚠ Místnost musí také umožňovat správnou cirkulaci vzduchu, protože ten je zapotřebí k tomu, aby spalování probíhalo normálně. Průtok vzduchu nesmí být nižší než 2 m<sup>3</sup>/h na kW instalovaného výkonu.

⚠ Systém cirkulace vzduchu může odebírat vzduch přímo zvenčí, a to pomocí trubky s vnitřním průřezem alespoň 100 cm<sup>2</sup>; otvor nesmí být náchylný k zablokování.

⚠ Systém může vzduch potřebný pro spalování dodávat rovněž nepřímo, tj. z přilehlých místností vybavených vzduchovými cirkulačními trubkami, jak je popsáno výše. Nesmí se však jednat o prostory, jako jsou společenské místnosti, ložnice nebo místnosti, které představují nebezpečí požáru.

⚠ Kapalný ropný plyn klesá k podlaze, neboť je těžší než vzduch. Proto musí být místnosti, ve kterých se nacházejí láhve s LPG, rovněž vybaveny větracími otvory, které umožní odvětrání plynu v případě jeho úniku. V důsledku toho nesmí být láhve s LPG, ať již částečně či zcela naplněné, instalovány nebo skladovány v místnostech nebo skladovacích prostorách, které se nacházejí pod úrovní země (ve sklepech apod.). Doporučujeme vám ponechat v místnosti pouze láhev, kterou právě používáte a která je umístěna tak, aby nebyla vystavena působení tepla ze strany externích zdrojů (trub, krbů, sporáků atd.), jejichž prostřednictvím by mohlo dojít ke zvýšení teploty láhve nad 50 °C.

Pokud jdou ovladače hořáků otáčet jen ztuha, obraťte se prosím na náš poprodejní servis; v případě shledání závady bude nutné ventil hořáku vyměnit.

Otvory používané pro větrání a rozptylování tepla se nikdy nesmí zakrývat.

⚠ Je-li nutné skříňku, do které bude zařízení umístěno, přizpůsobit, proveďte tyto práce ještě předtím, než jej do skříňky zasunete. Následně odstraňte všechny dřevěné třísky a piliny.

⚠ Pokud není spotřebič nainstalován nad troubou, pod spotřebič je třeba nainstalovat i oddělovací panel (není součástí balení).

## PŘIPOJENÍ PLYNU

⚠ **VÝSTRAHA:** Před prováděním instalace se ujistěte, že místní distribuční podmínky (druh plynu a jeho tlak) a nastavení spotřebiče si odpovídají.

⚠ Zkontrolujte, zda přívodní tlak plynu odpovídá hodnotám uvedeným v tabulce „Specifikace hořáku a trysek“.

⚠ **VÝSTRAHA:** Podmínky nastavení vztahující se k tomuto zařízení jsou uvedeny na etiketě (nebo výrobním štítku).

⚠ **VÝSTRAHA:** Tento spotřebič není připojen k zařízení pro odvod produktů spalování. Je třeba jej nainstalovat a připojit v souladu s aktuálními předpisy pro instalaci. Je třeba věnovat zvláštní pozornost příslušným požadavkům na odvětrávání.

⚠ Pokud jsou spotřebiče připojeny k zásobníku kapalného plynu, je třeba co nejdříve utáhnout regulační šroub.

⚠ **DŮLEŽITÉ:** V případě použití tlakové láhve musí být tlaková láhev správe usazena (ve svislé poloze).

⚠ **VÝSTRAHA:** Tento úkon musí provést kvalifikovaný technik.

⚠ K připojení plynu použijte pouze ohebnou nebo pevnou kovovou hadici.

⚠ Připojení k pevnému potrubí (měděnému nebo ocelovému) Připojení k plynovému systému musí být provedeno tak, aby bylo vyloučeno jakékoli zatížení přístroje. Na plošině spotřebiče pro zásobník plynu se nachází nastavitelná potrubní armatura ve tvaru L opatřená těsněním chránícím před úniky. Po otočení potrubní armatury je třeba těsnění vždy vyměnit (těsnění se dodává společně se spotřebičem). Potrubní armatura pro přívod plynu je opatřena vnějším půlpalcovým závitem.

⚠ Připojení flexibilní trubky bez svarů z nerezavějící oceli k závitovému nástavci Potrubní armatura pro přívod plynu je opatřena vnějším půlpalcovým závitem. Tyto trubky musejí být instalovány tak, aby při svém plném roztažení nikdy nepřesáhly délku 2 000 mm. Poté, co připojení zrealizujete, ujistěte se, že se ohebná kovová trubka nedotýká žádných pohyblivých součástí a nic na ni netlačí. Používejte pouze takové trubky a těsnění, která odpovídají aktuálním národním předpisům.

⚠ **DŮLEŽITÉ:** Pokud použijete hadici z nerezové oceli, musí být instalována tak, aby se nedotýkala žádné pohyblivé části nábytku (např. zásuvky). Hadice musí procházet prostorem bez překážek a tak, aby bylo možné ji kontrolovat po celé její délce.

⚠ Spotřebič by měl být k hlavnímu přívodu plynu nebo plynové láhvi připojen v souladu s platnými národními předpisy. Před realizací připojení se ujistěte, že je spotřebič kompatibilní s dodávkou takového plynu, který hodláte použít. Pokud tomu tak není, postupujte podle pokynů uvedených v odstavci „Přizpůsobení pro jiné typy plynových paliv“.

⚠ Po připojení k přívodu plynu zkontrolujte případné netěsnosti pomocí mýdlové vody. Vyzkoušejte stálost plamene tak, že hořáky zapálíte a otočíte ovládací knoflíky z maximální polohy 1\* do minimální polohy 2\*.



## PŘÍZPŮSOBENÍ PRO JINÉ TYPY PLYNOVÝCH PALIV

(Tento úkon musí provést kvalifikovaný technik).

⚠ Za účelem přizpůsobení spotřebiče jinému typu plynu, než je ten, pro který byl vyroben (je vyznačeno na typovém štítku), postupujte podle příslušných kroků uvedených v instalačních výkresech.

## UPOZORNĚNÍ NA PŘERUŠENÍ DODÁVKY ELEKTRICKÉ ENERGIE

⚠ **DŮLEŽITÉ:** Informace o spotřebě proudu a napětí je uvedena na typovém štítku.

⚠ V souladu s národními bezpečnostními normami týkajícími se elektrických zařízení musí být možné odpojit spotřebič od elektrické sítě vytažením zástrčky, pokud je zástrčka přístupná, nebo, v souladu s pravidly pro zapojování, prostřednictvím vícepólového vypínače umístěného před zásuvkou a spotřebič musí být uzemněn.

⚠ Napájecí kabel musí být natolik dlouhý, aby umožnil připojení spotřebiče zabudovaného do skříňky k elektrické síti. Nikdy netahejte za napájecí kabel.

⚠ Nepoužívejte prodlužovací kabely, sdružené zásuvky nebo adaptéry. Po provedení instalace nesmí být elektrické prvky spotřebiče pro uživatele přístupné. Nepoužívejte spotřebič, pokud jste mokří nebo naboso. Tento spotřebič nezapínejte, pokud je poškozen napájecí síťový kabel či zástrčka, pokud správně nefunguje nebo byl poškozen či spadl.

⚠ Jestliže je poškozený přívodní kabel, smí ho vyměnit (za identický díl) pouze výrobce, servisní technik nebo osoba s obdobnou kvalifikací, jinak by mohlo dojít k úrazu – riziko elektrického šoku!

## ČIŠTĚNÍ A ÚDRŽBA

⚠ **VÝSTRAHA:** Než zahájíte jakoukoli údržbovou operaci, ujistěte se, že je spotřebič vypnutý a odpojený od zdroje napájení; nikdy nepoužívejte parní čistič – riziko elektrického šoku.

⚠ Nepoužívejte abrazivní ani agresivní produkty, čisticí prostředky s obsahem chloru ani drátěnky.

⚠ Abyste zabránili poškození elektrického zapalovacího zařízení, nepoužívejte jej, když se hořáky nenacházejí ve svých otvorech.

## LIKVIDACE OBALOVÉHO MATERIÁLU

Obal je ze 100% recyklovatelného materiálu a je označen recyklačním znakem




Jednotlivé části obalového materiálu proto zlikvidujte odpovědně podle platných místních předpisů upravujících nakládání s odpady.

## LIKVIDACE DOMÁCÍCH ELEKTROSPOTŘEBIČŮ

Tento spotřebič byl vyroben z recyklovatelných nebo opakovaně použitelných materiálů. Zlikvidujte jej podle místních předpisů pro likvidaci odpadu. Další informace o likvidaci, renovaci a recyklaci elektrických spotřebičů získáte na místním úřadě, v podniku pro sběr domácího odpadu nebo v obchodě, kde jste spotřebič zakoupili. Tento spotřebič je označen v souladu s evropskou směrnicí 2012/19/EU o odpadních elektrických a elektronických zařízeních (OEEZ) a nařízeními o odpadních elektrických a elektronických zařízeních 2013 (včetně dodatků).

Zajištěním správné likvidace tohoto výrobku pomůžete zabránit negativním vlivům na životní prostředí a lidské zdraví.

Symbol  na výrobku nebo příslušných dokladech udává, že tento výrobek nesmí být likvidován společně s domácím odpadem, nýbrž je nutné jej odevzdat do příslušného sběrného střediska k recyklaci elektrických a elektronických zařízení.

## RADY K ÚŠPOŘE ELEKTRICKÉ ENERGIE

Používejte hrnce a pánve, jejichž velikost odpovídá velikosti varné zóny.

Používejte pouze hrnce a pánve s plochým dnem.

Je-li to možné, nechte nádoby během vaření přikryté pokličkou.

Chcete-li ušetřit maximum času a elektrické energie, používejte tlakový hrnec.

## PROHLÁŠENÍ O SHODĚ

Tento spotřebič splňuje požadavky na ekodesign evropského nařízení 66/2014 a nařízení o ekodesignu výrobků spojených se spotřebou energie a informací o energii (dodatek) (EU Exit) 2019 v souladu s evropskou normou EN 30-2-1.



Používaný typ plynu	Typ hořáku	Označení injektoru	Jmenovitý tepelný tok kW	Jmenovitá spotřeba	Snižená tepelná kapacita kW	Tlak plynu mbar		
						min.	jmen.	max.
ZEMNÍ PLYN (Metan) <b>G20</b>	Rychlý (R)	128 B	3,00	286 l/h	0,70	17	20	25
	Střední (SR)	97	1,75	167 l/h	0,40			
	Doplňkový (AUX)	78 A	1,00	95 l/h	0,40			
	se dvěma prstenci (DC)	141	4,00	381 l/h	2,20			
LPG (Butan) <b>G30</b>	Rychlý (R)	87	3,00	218 g/h	0,70	20	30	35
	Střední (SR)	67	1,75	127 g/h	0,40			
	Doplňkový (AUX)	50	1,00	73 g/h	0,40			
	se dvěma prstenci (DC)	94	3,70	269 g/h	2,20			
LPG (Propan) <b>G31</b>	Rychlý (R)	87	3,00	214 g/h	0,70	20	30	35
	Střední (SR)	67	1,75	125 g/h	0,40			
	Doplňkový (AUX)	50	1,00	71 g/h	0,40			
	se dvěma prstenci (DC)	94	3,70	264 g/h	2,20			

Používaný typ plynu	Konfigurace modelu 5 HOŘÁKŮ	Jmenovitý tepelný tok (kW)	Celková jmenovitá spotřeba	Vzduch (m <sup>3</sup> ) nutný ke spálení 1m <sup>3</sup> plynu
<b>G20</b> 20 mbar	1R - 2SR - 1AUX - 1DC	11,50	1095 l/h	9,52
<b>G30</b> 30 mbar	1R - 2SR - 1AUX - 1DC	11,20	814 g/h	30,94
<b>G31</b> 30 mbar	1R - 2SR - 1AUX - 1DC	11,20	800 g/h	23,80

ELEKTRICKÉ NAPÁJENÍ: 220-240 V ~ 50-60 Hz - 0,6W

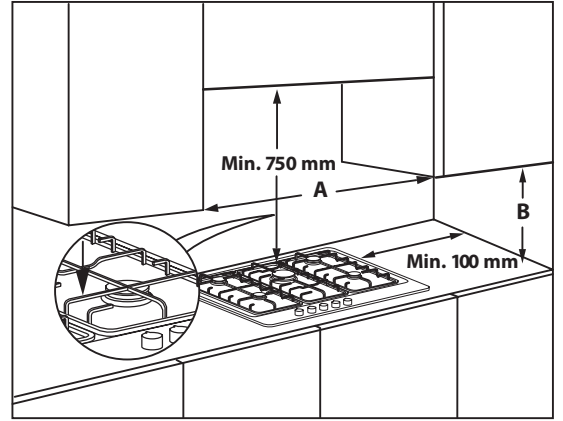
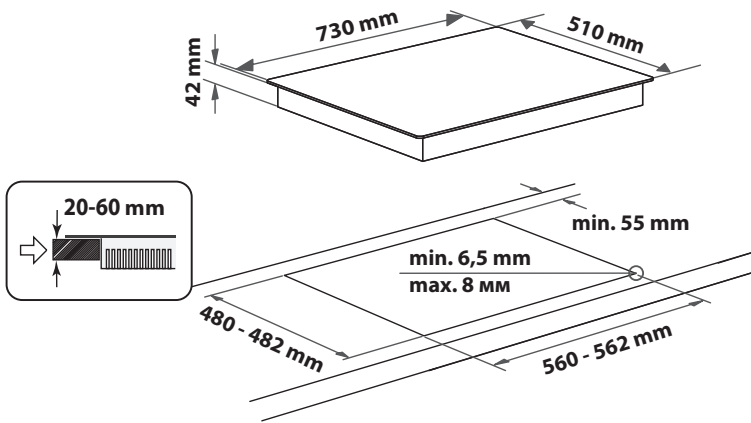


## MONTÁŽ (TŘÍDA 3)

### TECHNICKÉ INFORMACE PRO MONTÉRA

- Při manipulaci s produktem, jeho přípravě a instalaci použijte ochranné rukavice.
- Tento produkt lze zapustit do pracovní desky o tloušťce 20÷60 mm.
- Pokud pod varnou deskou není umístěna trouba, vložte pod ni oddělovací panel minimální plochou odpovídající otvoru v pracovní desce. Tento panel musí být umístěn maximální vzdálenosti 150 mm pod horní plochou pracovní desky, ale v žádném případě ne blíže než 20 mm ode dna varné desky. V případě, že máte v úmyslu pod varnou desku umístit troubu, tato trouba musí být vybavena systémem chlazení.

### ROZMĚRY A VZDÁLENOSTI, KTERÉ JE TŘEBA DODRŽET



**POZNÁMKA:** Pokud vzdálenost „A“ mezi stěnami linky činí 600mm až 730 mm, musí výška „B“ činit minimálně 530 mm. Je-li vzdálenost „A“ mezi stěnami linky větší než šířka varné desky, musí výška „B“ činit minimálně 400 mm. V případě instalace digestoře nad varnou desku vyhledejte vhodnou vzdálenost v pokynech k digestoři.

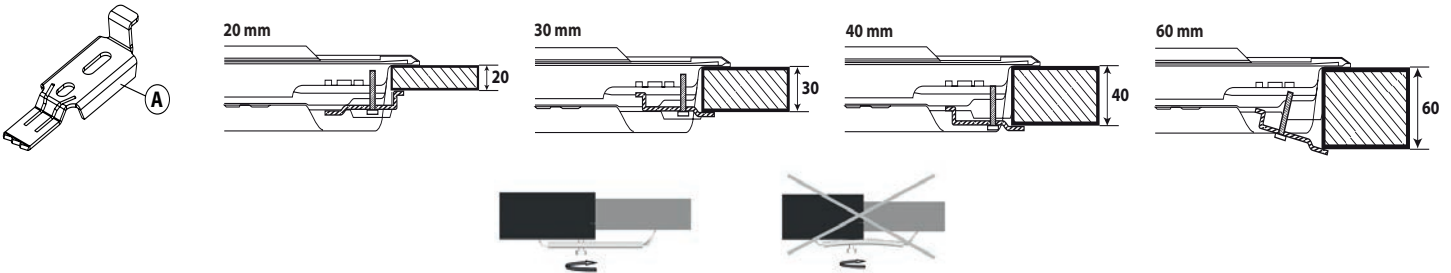
### SESTAVENÍ

Po očištění okrajového povrchu na varnou desku připevněte dodané těsnění dle obrázku.

Umístěte varnou desku do otvoru v pracovní desce, který byl připraven s ohledem na rozměry uvedené v návodu.

**POZNÁMKA:** Přívodní kabel musí být dostatečně dlouhý, aby bylo možné zvednutí spotřebiče.

K zajištění varné desky použijte dodané svorky (A). Vložte svorky do příslušných otvorů označených šipkou a upevněte je pomocí šroubů v závislosti na tloušťce pracovní desky (viz následující obrázky).

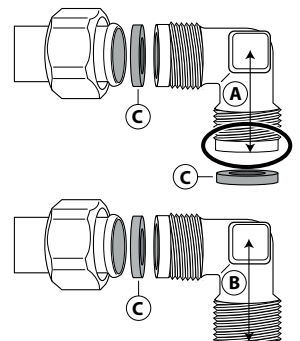


### PŘIPOJENÍ PLYNU

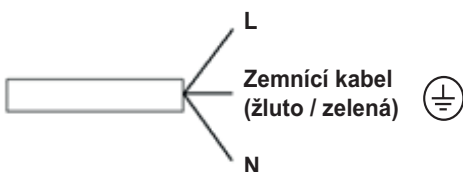
- Připojte dodávané koleno (A)\* nebo (B)\* k hlavní přívodní trubce varné desky a vložte dodanou podložku (C) v souladu s normou EN 549.

\* Ve Francii použijte koleno (A) a ve všech ostatních zemích koleno (B).

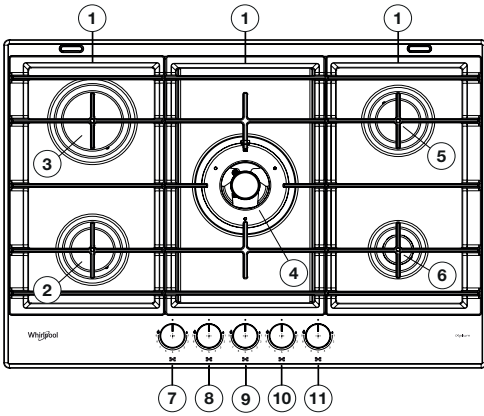
- Po připojení k přívodu plynu zkontrolujte případné netěsnosti pomocí mýdlové vody. Zapalte hořáky a otočením ovladačů od maximální polohy do minimální polohy zkontrolujte stálost plamene.



### ELEKTRICKÉ PŘIPOJENÍ



# POPIS PRODUKTU



1. Odnímatelné mřížky
2. Střední hořák
3. Rychlý hořák
4. Hořák se dvěma prstenci
5. Střední hořák
6. Doplňkový hořák
7. Ovladač středního hořáku
8. Ovladač rychlého hořáku
9. Ovladač hořáku se dvěma prstenci
10. Ovladač středního hořáku
11. Ovladač doplňkového hořáku

## Symoly

- Plné kolečko ● Přívod uzavřen  
 Velký plamen 🔥 Maximální otevření/přívod a elektrické zapalování  
 Malý plamen 🔥 Minimální otevření nebo snížený přívod



# KAŽDODENNÍ POUŽÍVÁNÍ

## POUŽÍVÁNÍ VARNÉ DESKY

⚠ Plamen hořáku nesmí přesahovat za okraj dna hrnce či pánve.

**DŮLEŽITÉ UPOZORNĚNÍ:** při používání varné desky může dojít ke zvýšení teploty v jejím okolí.

- Pokud chcete zapálit některý z hořáků, otočte příslušný ovladač proti směru hodinových ručiček na největší plamen.
- Přitlačením ovladače k ovládacímu panelu zapalte hořák.
- Po zapálení držte ovladač stisknutý po dobu asi 5–10 sekund, aby hořák nezhasl.
- Tento bezpečnostní prvek hořáků zastaví přívod plynu k hořáku v případě, že plamen nečekaně zhasne (kvůli náhlému průvanu, přerušení dodávky plynu, přetečení vody z hrnce apod.).
- Ovladač by neměl být stisknutý více než 15 sekund. Pokud po uplynutí této doby hořák nezůstane zapálený, počkejte před opakováním pokusu o zapálení alespoň jednu minutu.

**POZNÁMKA:** Pokud konkrétní místní podmínky dodávky plynu znesnadňují zapálení hořáku, doporučujeme zopakovat postup s ovladačem nastaveným na malý plamen.

**Po uvolnění ovladače může hořák zhasnout.** To znamená, že bezpečnostní prvek se dostatečně nezahřál. V takovém případě opakujte výše uvedené postupy. Při náhodném zhasnutí plamene otočte otočný ovladač do polohy odpovídající vypnutí a před opětovným pokusem o jeho zapálení vyčkejte nejméně 1 minutu.

## PRAKTICKÉ RADY PRO POUŽÍVÁNÍ HOŘÁKŮ

Tato varná deska zahrnuje hořáky různých průměrů. Optimální funkci hořáků zajistíte dodržováním následujících pravidel:

- používejte hrnce a pánve s průměrem stejným nebo mírně větším, než je průměr hořáku (viz tabulka vpravo);
- používejte pouze hrnce a pánve s plochým dnem;
- používejte při vaření potravin vhodné množství vody a zakrývejte hrnce pokličkou;
- hrnce či pánve po položení na mřížku nesmí přesahovat přes okraj varné desky;
- chcete-li použít pánve s vypouklým dnem (wok), použijte podpurnou mřížku (není součástí dodávky) a umístěte ji na hořák se dvěma prstenci;
- zabraňte nárazům hrnců, mřížek nebo jiného kuchyňského nářadí;
- nenechávejte prázdné nádoby na steaků na zapnutém sporáku déle než 5 minut.

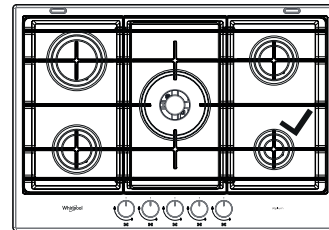
**DŮLEŽITÉ UPOZORNĚNÍ:** Nevhodné použití mřížek může poškodit varnou desku. Nepokládejte mřížky na varnou desku obrácené ani je po desce neposouvajte.

HOŘÁK	Ø PRŮMĚR HRNCE
se dvěma prstenci	Od 24 do 26 cm
Rychlý	Od 24 do 26 cm
Střední	Od 16 do 22 cm
Doplňkový	Od 8 do 14 cm

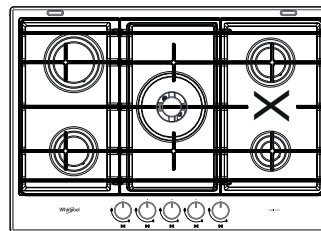
Nepoužívejte:

- litinové plotny, kameninové desky ani terakotové hrnce a pánve;
- rozptylovače tepla, jako jsou kovové mřížky apod.;
- dva hořáky současně na jednu nádobu (např. hrnce na ryby).

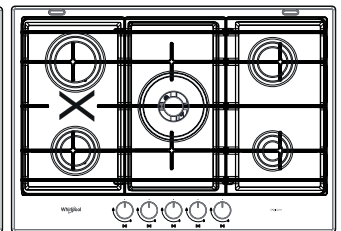
## SPRÁVNÉ UMÍSTĚNÍ GRIDŮ



OK



NO



NO

## PŘÍZPŮSOBENÍ PRO JINÉ TYPY PLYNU

⚠ Tento úkon musí být proveden kvalifikovaným technikem.

Pokud má spotřebič používat jiný druh plynu než ty, které jsou vedeny na typovém štítku a informačním štítku na horní straně varné desky, vyměňte injektory. Odlepte informační štítek a uchovejte jej spolu s příručkou.

**Používejte regulátory tlaku vhodné pro tlak plynu uvedený v pokynech:**

- plynový injektor smí vyměnit pouze servisní středisko nebo kvalifikovaný technik;
- injektor není dodáván spolu se spotřebičem a je nutné jej objednat v servisním středisku;
- upravte nastavení minimálních poloh ovladačů.

**POZNÁMKA:** V případě použití LPG (G30/G31) je nutné šroub pro nastavení minimálního průtoku přitáhnout úplně.

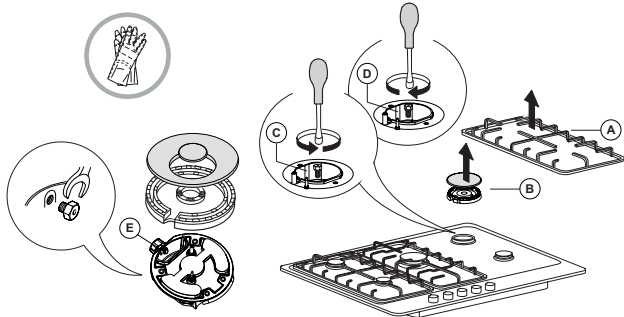
**DŮLEŽITÉ UPOZORNĚNÍ:** Pokud máte problém s otáčením některého z ovladačů, kontaktujte servisní středisko, které vám v případě zjištění závady poskytne nový kohout hořáku.

**DŮLEŽITÉ UPOZORNĚNÍ:** V případě použití tlakové lahve musí být tlaková láhev správně usazena (ve svislé poloze).

## VÝMĚNA INJEKTORŮ (viz tabulka injektorů v Bezpečnostních pokynech)

⚠ Tento úkon musí být proveden kvalifikovaným technikem.

- Sejměte mřížky (A).
- Vyjměte hořáky (B).
- Pomocí nástřechého klíče odpovídající velikosti odšroubujte injektor (C), který chcete vyměnit.
- Nahradte jej injektorem vhodným pro daný typ plynu.
- Znovu složte injektor (D).
- Pokud se jedná o hořák s více prstenci, použijte očkový klíč k výměně injektoru (E).



Před instalací varné desky nezapomeňte připevnit kalibrační štítek dodaný s injektory takovým způsobem, aby zakryl původní informace týkající se kalibrace pro plyn.

## ÚPRAVA NASTAVENÍ MINIMÁLNÍHO PRŮTOKU PLYNU

⚠ Tento úkon musí být proveden kvalifikovaným technikem.

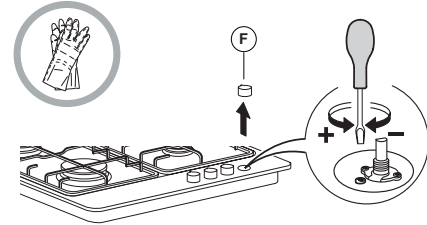
Tuto úpravu je třeba provádět, když je kohout nastaven v poloze minimálního průtoku plynu (malý plamen) ⚡.

Primární přívod vzduchu k hořákům není třeba nastavovat.

Abyste zajistili správné nastavení minimální polohy, sejměte ovladač (F) a pokračujte dle následujícího postupu:

- přitáhnutím šroubu zmenšíte výšku plamene (-);
- uvolněním šroubu zvětšíte výšku plamene (+).

Nyní zapalte hořáky a otočením ovladačů od maximální polohy ⚡ do minimální polohy ⚡ zkontrolujte stálost plamene.



Po dokončení nastavení proveďte utěsnění pomocí pečetiho vosku nebo obdobného materiálu.

## VÍCEÚROVŇOVÉ TEPELNÉ ZPRACOVÁNÍ

ÚROVEŇ	METODA / TYP TEPELNÉ ÚPRAVY (DOPORUČENO PRO)	KUCHAŘSKÉ TIPY
1–2	UDRŽOVÁNÍ V TEPLĚ	Ideální pro změknutí másla, jemné rozpouštění čokolády ve vodní lázni, rozmrazování menších porcí, získání krémové konzistence u rizota.
	ÚPRAVA PŘI MÍRNÉ TEPLOTĚ	
3–4	POVAŘENÍ / MÍRNÝ VAR	Ideální pro recepty vyžadující pozvolné vaření (ryže, omáčky, pečená masa, ryby) v kapalinách (např. vodě, víně, vývaru), rozpouštění másla na těstovinách a udržování mírného varu.
	DUŠENÍ	
5–6	PEČENÍ/OPĚKÁNÍ	Ideální pro přípravu minulek, dušení zeleniny, při delší době tepelné úpravy, pro předeřhívání příslušenství, pro dosažení krémové konzistence.
	SMAŽENÍ	
7–8	SMAŽENÍ ZA STÁLÉHO MÍCHÁNÍ	Ideální pro opékání dozlatova, při zahájení tepelné úpravy, pro rychlé přivedení kapalin k varu, smažení hluboce zmrazených výrobků, grilování masa a ryb, udržování prudšího varu.
	GRILOVÁNÍ	
9	RYCHLÉ OHŘÁTÍ	Ideální pro rychlé zvýšení teploty pokrmu nebo ohřátí kapalin (vody).

## ÚDRŽBA A ČIŠTĚNÍ

⚠ Odpojte spotřebič od elektrické sítě.

### ČIŠTĚNÍ POVRCHU VARNÉ DESKY

- Veškeré smaltované a skleněné díly je třeba čistit teplou vodou a neutrálním čisticím roztokem.
- Povrch dílů z nerezové oceli může být poskvřen v případě delšího kontaktu s tvrdou vodou nebo agresivními čisticími prostředky. Případné ulpělé potraviny (voda, omáčka, káva apod.) je třeba otřít dříve, než zaschnou.
- K čištění používejte teplou vodu s neutrálním čisticím prostředkem a k osušení použijte měkkou tkaninu. Připečené nečistoty odstraňujte čisticími prostředky speciálně určenými pro nerezovou ocel.

**POZNÁMKA: Nerezovou ocel čistěte výhradně měkkým hadříkem nebo houbičkou.**

- Nepoužívejte abrazivní ani agresivní produkty, čisticí prostředky s obsahem chloru ani drátěnky.
- Nepoužívejte parní čističe.
- Nepoužívejte hořlaviny.
- Nenechávejte na varné desce kyselé ani zásadité potraviny, jako je například ocet, hořčice, cukr nebo citronová šťáva.

### ČIŠTĚNÍ SOUČÁSTÍ VARNÉ DESKY

- Skleněné a smaltované díly čistěte pouze měkkým hadříkem či houbičkou.
- Mřížky, krytky hořáků a hořáky samotné lze při čištění vyjmout.
- Čistěte je ručně pomocí teplé vody a neabrazivního čisticího prostředku, odstraňte veškeré zbytky potravin a zajistěte, aby žádný z průduchů hořáku nebyl ucpaný.
- Opláchněte a osušte.
- **Litínové rošty lze mýt v myčce nádobí. Před umístěním roštů do nejspodnějšího koše myčky nádobí odstraňte veškeré připáleniny.**
- Vložte hořáky a krytky hořáků patřičným způsobem do odpovídajících otvorů.
- Při pokládání mřížek zajistěte, aby byly oblasti podstavců zarovnané s hořáky.
- Modely vybavené elektrickým zapalováním a bezpečnostním prvkem vyžadují důkladné čištění koncovky zapalování, aby byl zajištěn správný provoz. Tyto součásti pravidelně kontrolujte a v případě potřeby je čistěte vlhkým hadříkem. Jakékoli připečené potraviny je třeba odstranit párátkem nebo jehlou.

**POZNÁMKA: Abyste zabránili poškození elektrického zapalovacího zařízení, nepoužívejte jej, když se hořáky nenacházejí ve svých otvorech.**



## ODSTRAŇOVÁNÍ ZÁVAD

Pokud varná deska nepracuje správně, před kontaktováním servisního střediska se pokuste určit příčinu problému podle následujících pokynů.

### 1. Hořák nelze zapálit nebo je plamen nerovnoměrný

Zkontrolujte, zda:

- dodávka plynu či elektrické energie není přerušena a obzvláště zda není uzavřen kohout přívodu plynu;
- tlaková láhev (se zkapalněným plynem) není prázdná;
- průduchy hořáku nejsou ucpané;
- koncovka elektrické zástrčky není znečištěna;
- všechny součásti hořáku jsou ve správné poloze;
- v blízkosti varné desky není průvan.

### 2. Hořák nezůstane zapálený

Zkontrolujte, zda:

- byl při zapalování hořáku ovladač stisknut dostatečně dlouho, aby došlo k aktivaci bezpečnostního prvku;
- průduchy hořáku nejsou v blízkosti termočlánku ucpané;
- zakončení bezpečnostního prvku není znečištěno;
- minimální průtok plynu je správně nastaven (viz odpovídající odstavec).

### 3. Nádoby nelze správně umístit

Zkontrolujte, zda:

- dno nádoby je zcela ploché;
- nádoba je nad hořákem umístěna na střed;
- mřížky nebyly zaměněny nebo nesprávně umístěny.

Jestliže problém přetrvává i po provedení výše uvedených kroků, kontaktujte nejbližší servisní středisko

## SERVISNÍ STŘEDISKO

Přejete-li si získat plnou podporu, zaregistrujte svůj výrobek na [www.whirlpool.eu/register](http://www.whirlpool.eu/register).

### NEŽ ZAVOLÁTE DO SERVISNÍHO STŘEDISKA POPRODEJNÍCH SLUŽEB:

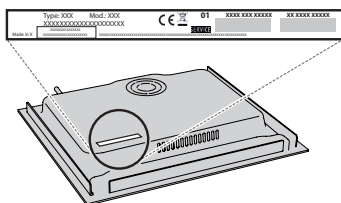
1. Ověřte si, zda nemůžete problém vyřešit sami pomocí doporučení popsanych v oddílu **ODSTRAŇOVÁNÍ ZÁVAD**.
2. Vypněte spotřebič a opět ho zapněte, abyste zjistili, zda porucha stále trvá.

### JESTLIŽE PORUCHA PŘETRVÁVÁ I PO PROVEDENÍ VÝŠE UVEDENÝCH KROKŮ, ZAVOLEJTE DO NEJBLIŽŠÍHO SERVISNÍHO STŘEDISKA.

Pro asistenční služby volejte na číslo uvedené v záruční knížce nebo postupujte podle pokynů na webových stránkách [www.whirlpool.eu](http://www.whirlpool.eu).

Pokud se obracíte na náš zákaznický poprodejní servis, vždy upřesněte:

- stručný popis poruchy;
- přesný typ a model spotřebiče;



- sériové číslo (číslo za slovem SN na typovém štítku umístěném pod spotřebičem). Sériové číslo je také uvedeno v dokumentaci;



Mod. XXX XXX

Ind.C. XXXX XXXX XXXX

Prod.N. 86999XXXXXXX S.N. XXXX XXXX XXXX

- svou úplnou adresu;
- své telefonní číslo.

Jestliže je nutná oprava, obraťte se na autorizované servisní středisko, abyste měli jistotu, že budou použity originální náhradní díly a oprava bude provedena správně).

Kompletný návod si môžete stiahnuť na <http://docs.whirlpool.eu> alebo zavolajte na telefónne číslo uvedené v záručnej knižke.

⚠ Tieto pokyny platia, ak je na spotrebiči symbol krajiny. Ak na spotrebiči symbol krajiny nie je, je potrebné sa riadiť technickými pokynmi, kde nájdete potrebný návod týkajúci sa úpravy spotrebiča na podmienky krajiny použitia.

⚠ POZOR: Pri používaní plynového sporáka vzniká v miestnosti, kde je inštalovaný, teplo, vlhkosť a produkty spaľovania. Dbajte, aby bola kuchyňa dobre vetraná, najmä keď sa spotrebič používa: nechajte prirodzené vetracie otvory otvorené alebo nainštalujte mechanické vetracie zariadenie (mechanický odsávací digestor). Dlhšie intenzívne používanie spotrebiča môže vyžadovať ďalšie vetranie, napríklad otvorením okna, alebo intenzívnejšie vetranie zvýšením úrovne mechanického vetrania, ak je nainštalované.

⚠ Ak sa nebudete presne riadiť informáciami uvedenými v tejto príručke, môže to spôsobiť požiar alebo výbuch, následkom ktorého dôjde k poškodeniu majetku alebo zraneniu osôb.

Pred použitím spotrebiča si prečítajte tieto bezpečnostné pokyny. Uchovajte ich poruke na budúce použitie.

V týchto pokynoch a na samotnom spotrebiči sú uvedené dôležité upozornenia týkajúce sa bezpečnosti, ktoré treba vždy dodržiavať. Výrobca odmieta zodpovednosť v prípade nedodržania týchto bezpečnostných pokynov, nenáležitého používania spotrebiča alebo nesprávneho nastavenia ovládania.

⚠ UPOZORNENIE: Ak je varný panel puknutý, spotrebič nepoužívajte – nebezpečenstvo zásahu elektrickým prúdom.

⚠ UPOZORNENIE: Nebezpečenstvo požiaru: Neskladujte predmety na varných povrchoch.

⚠ UPOZORNENIE: Pri varení musí byť spotrebič pod dohľadom. Pri krátkodobom varení musí byť spotrebič pod nepretržitým dohľadom.

⚠ UPOZORNENIE: Varenie na tuku alebo oleji bez dozoru môže predstavovať nebezpečenstvo a môže mať za následok vznik požiaru. NIKDY sa nepokúšajte uhasiť požiar vodou. Vypnite spotrebič a následne zakryte plameň, napr. pokrievkou alebo hasiacim rúškom.

⚠ Nepoužívajte varnú dosku ako pracovnú alebo odkladaciu plochu. Oblečenie a iné horľavé materiály uchovávajte mimo spotrebiča, kým všetky komponenty úplne nevychladnú – hrozí nebezpečenstvo vzniku požiaru.

⚠ Veľmi malé deti (0 – 3 roky) by sa nemali zdržiavať v okolí spotrebiča. Malé deti (3 – 8 rokov) nepúšťajte k spotrebiču bez dozoru. Deti od 8 rokov a osoby so zníženými fyzickými, zmyslovými a mentálnymi schopnosťami alebo s nedostatkom skúseností a znalostí môžu používať tento

spotrebič len v prípade, ak sú pod dozorom alebo dostali pokyny týkajúce sa používania spotrebiča bezpečným spôsobom a chápu hroziace nebezpečenstvá. Deti sa so spotrebičom nesmú hrať. Čistenie a údržbu nesmú vykonávať deti bez dozoru.

⚠ UPOZORNENIE: V prípade, že sa rozbije sklo na varnej doske, ihneď vypnite všetky horáky a elektrické ohrievacie teleso a spotrebič odpojte od prívodu napätia; nedotýkajte sa povrchu spotrebiča, spotrebič nepoužívajte.

Sklený kryt môže puknúť, keď sa zohreje. Pred zatvorením krytu vypnite všetky horáky a elektrické platničky. Ak sú horáky zapnuté, kryt nezatvárajte.

⚠ UPOZORNENIE: Spotrebič a jeho prístupné časti sa počas používania zahrievajú. Dávajte pozor, aby ste sa nedotkli ohrevných článkov. Nedovoľte, aby sa deti mladšie ako 8 rokov priblížili k rúre, pokiaľ nie sú nepretržite pod dozorom.

### POVOLENÉ POUŽÍVANIE

⚠ UPOZORNENIE: Spotrebič nie je určený na ovládanie externým vypínačom, ako je časovač alebo samostatný systém diaľkového ovládania.

⚠ Tento spotrebič je určený na použitie v domácnosti alebo na podobné účely ako napr.: v oblastiach kuchyniek pre personál v dielňach, kanceláriách a iných pracovných prostrediach; na farmách; pre klientov v hoteloch, motelloch, penziónoch a iných ubytovacích zariadeniach.

⚠ Nie je povolené používať ho na iné účely (napr. vykurovanie miestností).

⚠ Tento spotrebič nie je určený na profesionálne používanie. Spotrebič nepoužívajte vonku.

⚠ Používajte hrnce a panvice s rovnakým priemerom dna, ako je priemer varných zón, alebo o niečo väčším (pozrite špeciálnu tabuľku). Nedovoľte, aby hrnce na mriežkach presahovali cez okraj varnej dosky.

⚠ Nevhodné používanie mriežky môže zapríčiniť poškodenie platne sporáka: nekladte preto mriežku opačne, ani ju neposúvajte po ploche platne.

Nedovoľte, aby plameň horáka presahoval cez okraj panvice.

Ak je povrch varného panela zo skleneného materiálu, nepoužívajte liatinové rošty, keramické kamene, terakotové hrnce či panvice.

Neodporúčame Vám používať: Rozptyľovače plameňa vo forme kovovej mriežky alebo iné. Použitie dvoch horákov súčasne pre jednu oválnu nádobu (napr. na prípravu ryby).

Ak by sa horák následkom špecifických podmienok pri miestnej dodávke plynu ťažko zapaloval, odporúčame vám zopakovať uvedený postup s gombíkom otočeným do polohy malého plameňa.

V prípade inštalácie digestora nad varnú plochu, prosím, dodržiavajte pokyny o správnych vzdialenostiach.

Ochranné gumené nožičky na snímateľnej mriežke predstavujú nebezpečenstvo pre malé deti. Po odložení mriežky dbajte, aby boli všetky nožičky správne nasadené.

### INŠTALÁCIA

⚠ So spotrebičom musia manipulovať a inštalovať ho minimálne dve osoby – riziko zranenia. Pri vybalovaní a inštalovaní používajte ochranné rukavice – nebezpečenstvo porezania.

⚠ Elektrické a plynové prípojky musia vyhovovať miestnym predpisom.

⚠ Inštaláciu, vrátane prívodu vody (ak je) a elektrického zapojenia a taktiež opravy musí vykonávať kvalifikovaný

technik. Nikdy neopravujte ani nevymieňajte žiadnu časť spotrebiča, ak to nie je uvedené v návode na používanie. Nepúšťajte deti k miestu inštalácie. Po vybalení spotrebiča sa uistite, že sa počas prepravy nepoškodil. V prípade problémov sa obráťte na predajcu alebo popredajný servis. Po inštalácii treba odpad z balenia (plasty, kusy polystyrénu a pod.) uložiť mimo dosahu detí – nebezpečenstvo udusenía. Pred vykonávaním inštalčných prác musíte spotrebič odpojiť od elektrického napájania – nebezpečenstvo zásahu elektrickým prúdom. Počas inštalácie dávajte pozor, aby ste spotrebičom nepoškodili napájací kábel – nebezpečenstvo požiaru alebo zásahu elektrickým prúdom. Spotrebič zapnite až po úplnom dokončení inštalácie.

⚠ UPOZORNENIE: Úprava spotrebiča a spôsob jeho inštalácie sú základom bezpečného a správneho používania vo všetkých ďalších krajinách.

⚠ Použite regulátory tlaku vhodné pre tlak plynu uvedený v Pokynoch.

⚠ Miestnosť musí byť vybavená systémom odsávania vzduchu, ktorý odstráni všetky spaliny. Ten môže pozostávať z digestora alebo elektrického ventilátora, ktorý sa spustí automaticky zakaždým, keď sa zapne spotrebič.

⚠ Miestnosť musí umožňovať riadnu cirkuláciu vzduchu, pretože vzduch je potrebný pre normálne spaľovanie. Prúdenie vzduchu musí byť minimálne 2 m<sup>3</sup>/h na kW inštalovaného výkonu.

⚠ Systém cirkulácie vzduchu môže nasávať vzduch priamo zvonka cez potrubie s prierezom minimálne 100 cm<sup>2</sup>; otvor nesmie byť ohrozený žiadnym typom upchatia.

⚠ Systém môže zabezpečovať vzduch potrebný na spaľovanie aj nepriamo, t.j. zo susedných miestností vybavených potrubím na cirkuláciu vzduchu, ako je opísané vyššie. Tieto miestnosti však nesmú byť spoločenské miestnosti, spálne alebo miestnosti, ktoré môžu predstavovať riziko požiaru.

⚠ Skvapalnený plyn klesne k podlahe, pretože je ťažší ako vzduch. Preto aj miestnosti, kde sa nachádzajú fľaše s LPG, musia byť vybavené vetracími otvormi, aby v prípade netesnosti mohol plyn uniknúť. V dôsledku toho fľaše s LPG, čiastočne alebo úplne plné, sa nesmú inštalovať ani skladovať v miestnostiach alebo skladoch, ktoré sú pod zemou (pivnice a pod.). Odporúča sa uchovávať v miestnosti iba fľašu, ktorá sa používa, a umiestniť ju tak, aby nebola vystavená teplu z vonkajších zdrojov (pece, kozuby, sporáky a pod.), ktoré by mohli zvýšiť teplotu fľaše nad 50 °C.

Ak by ste mali ťažkosti s otočením gombíkov horákov, prosím, kontaktujte pracovníkov servisu, aby ventil horáka vymenili, ak je chybný.

Otvory slúžiace na vetranie a rozptýlenie tepla nesmú byť nikdy prikryté.

⚠ Pred vsadením spotrebiča do nábytkového príslušenstva urobte všetky potrebné výrezy a odstráňte drevené odrezky a piliny.

⚠ Ak spotrebič nie je inštalovaný nad rúrou, je potrebné do priehradky pod spotrebičom nainštalovať oddelovací panel (nie je priložený).

## PLYNOVÁ PRÍPOJKA

⚠ UPOZORNENIE: Pred inštaláciou zabezpečte, aby boli podmienky miestnej rozvodnej siete (charakter a tlak plynu) kompatibilné s nastavením spotrebiča.

⚠ Skontrolujte, či tlak dodávaného plynu vyhovuje hodnotám uvedeným v tabuľke "Špecifikácie horáka a dýzy".

⚠ UPOZORNENIE: Podmienky nastavenia tohto spotrebiča sú uvedené na nálepke (alebo štítku s údajmi).

⚠ UPOZORNENIE: Tento spotrebič nie je pripojený k zariadeniu na odvod spalín. Musí byť nainštalovaný a pripojený v súlade s platnými pravidlami na inštaláciu. Mimoriadnu pozornosť venujte príslušným požiadavkám na vetranie.

⚠ Ak je spotrebič pripojený na skvapalnený plyn, regulačná skrutka musí byť utiahnutá čo najviac.

⚠ DÔLEŽITÉ: Ak sa používa tlaková plynová nádoba, tlaková plynová nádoba alebo plynový zásobník musia byť správne osadené (vertikálne smerovanie).

⚠ UPOZORNENIE: Túto operáciu musí vykonať kvalifikovaný technik.

⚠ Pri príprave plynovej prípojky použite ohybnú alebo neohybnú kovovú rúrku.

⚠ Pripojenie s neohybnou rúrou (medenou alebo ocelovou) Pripojenie na plynovú sústavu musí byť urobené tak, aby na spotrebič nebol vynakladaný žiaden tlak. Na prírodnej rampe spotrebiča je nastaviteľná potrubná kolenová tvarovka vybavená tesnením, aby sa zabránilo úniku. Po otáčaní potrubnej tvarovky treba tesnenie vždy vymeniť (tesnenie sa dodáva so spotrebičom). Potrubná tvarovka pre prívod plynu má vonkajší 1/2-palcový závit.

⚠ Pripojenie ohybného potrubia z nehrdzavejúcej ocele bez spojov k závitovej prípojke Potrubná tvarovka pre prívod plynu má vonkajší 1/2-palcový závit. Potrubia musia byť nainštalované tak, aby pri úplnom natiahnutí nepresahovali 2 000 mm. Po pripojení sa ubezpečte, že ohybnékovové potrubie sa nedotýka žiadnych pohyblivých častí a nie je stlačené. Používajte iba potrubia a tesnenia, ktoré sú v súlade s vnútroštátnymi predpismi.

⚠ DÔLEŽITÉ UPOZORNENIE: Ak je použitá antikorová rúrka, musí byť nainštalovaná tak, aby sa nedotýkala žiadnej pohyblivej časti nábytku (napr. zásuvky). Musí prechádzať oblasťou, kde nie sú žiadne prekážky a kde je možné skontrolovať ju po celej jej dĺžke.

⚠ Spotrebič by mal byť pripojený k zdroju dodávky plynu alebo plynovej fľaši v súlade s aktuálnymi vnútroštátnymi predpismi. Pred pripojením sa presvedčte, či je spotrebič kompatibilný s prívodom plynu, ktorý chcete použiť. Ak nie je, postupujte podľa pokynov uvedených v odseku „Prispôsobenie iným typom plynu“.

⚠ Po pripojení k prívodu plynu vykonajte kontrolu úniku použitím mydlovej vody. Zapáľte horáky a otočte kohútiky z maximálnej polohy 1\* do minimálnej polohy 2\*, aby ste skontrolovali stabilitu plameňa.



## PRISPÔBENIE INÝM TYPOM PLYNU

(Túto činnosť musí vykonávať kvalifikovaný technik).

⚠ Aby ste prispôbili spotrebič inému typu plynu, než je ten, pre ktorý bol vyrobený (uvedený na typovom štítku), postupujte podľa krokov uvedených po inštalračných nákresoch.

## VAROVANIA PRE POUŽÍVANIE ELEKTRICKÉHO ZARIADENIA

⚠ **DÔLEŽITÉ:** Informácie o spotrebe prúdu a napätia sú uvedené na typovom štítku.

⚠ Spotrebič sa musí dať odpojiť od napájania buď vytiahnutím zástrčky, pokiaľ je ľahko dostupná, alebo prostredníctvom prístupného viacpólového prepínača nainštalovaného pred zásuvkou podľa predpisov pre domovú elektroinštaláciu, pričom musí byť spotrebič uzemnený v súlade s národnými bezpečnostnými normami pre elektrotechniku.

⚠ Prívodný elektrický kábel musí byť dostatočne dlhý, aby sa spotrebič, zabudovaný do kuchynskej linky, dal zapojiť do elektrickej siete. Neťahajte za napájací elektrický kábel.

⚠ Nepoužívajte predlžovacie káble, rozdvojky ani adaptéry. Po inštalácii spotrebiča nesmú byť jeho elektrické časti prístupné používateľom. Nepoužívajte spotrebič, ak ste mokří alebo bosí. Spotrebič neuvádzajte do činnosti, ak je poškodený napájací kábel alebo zástrčka, ak nepracuje správne, ak je poškodený alebo ak spadol.

⚠ Ak je poškodený napájací elektrický kábel, musí ho výrobca, jeho autorizovaný servis alebo podobne kvalifikovaná osoba vymeniť za identický, aby sa predišlo nebezpečenstvu zásahu elektrickým prúdom.


## ČISTENIE A ÚDRŽBA

⚠ **UPOZORNENIE:** Pred vykonávaním údržby dbajte, aby bol spotrebič vypnutý alebo odpojený od elektrického napájania; nikdy nepoužívajte zariadenie na čistenie parou – nebezpečenstvo zásahu elektrickým prúdom.

⚠ Nepoužívajte abrazívne alebo korozívne prostriedky, čističe s obsahom chlóru alebo drôtenky na panvice.

⚠ Aby ste predišli poškodeniu zariadenia elektrického zapalovania, nepoužívajte ho, keď horáky nie sú na svojich miestach.


## LIKVIDÁCIA OBALOVÝCH MATERIÁLOV

Obalové materiály sa môžu na 100 % recyklovať a sú označené symbolom recyklácie .

Rôzne časti obalu likvidujte zodpovedne, v plnom súlade s platnými miestnymi predpismi o likvidácii odpadov.

## LIKVIDÁCIA DOMÁCIH SPOTREBIČOV

Tento spotrebič je vyrobený z recyklovateľných a znovu použiteľných materiálov. Zlikvidujte ho v súlade s miestnymi predpismi o likvidácii odpadov. Podrobnejšie informácie o zaobchádzaní, obnove a recyklácii domácich spotrebičov dostanete na príslušnom miestnom úrade, v zberných strediskách alebo v obchode, kde ste spotrebič kúpili. Tento spotrebič je označený v súlade so smernicou Európskeho parlamentu a Rady 2012/19/EÚ o odpade z elektrických a elektronických zariadení (OEEZ) a s predpismi o odpade z elektrických a elektronických zariadení z r. 2013 (v platnom znení). Zabezpečením správnej likvidácie výrobu pomôžete predchádzať potenciálnym negatívnym dopadom na životné prostredie a ľudské zdravie.

Symbol  na spotrebiči alebo na sprievodných dokumentoch znamená, že s týmto výrobkom sa nesmie zaobchádzať ako s domácim odpadom, ale je potrebné odovzdať ho v zbernom dvore pre elektrické a elektronické zariadenia.

## RADY NA ÚSPORU ELEKTRICKEJ ENERGIE

Používajte hrnce a panvice, ktorých spodný priemer je rovnaký ako priemer varnej zóny.

Používajte iba panvice a hrnce s rovným dnom.

Ak je to možné, prikryte hrnce počas varenia pokrievkami.

Používajte tlakový hrniec kvôli ešte väčšej úspore energie a času.

## VYHLÁSENIE O ZHODE

Tento spotrebič spĺňa požiadavky nariadenia Komisie (EÚ) 66/2014 na ekodizajn a predpisy z roku 2019 o ekodizajne energeticky významných výrobkov a energetických informáciách (dodatok) (výstup z EÚ) v súlade s európskou normou EN 30-2-1.



Druh používaného plynu	Typ horáka	Značka vstrekovace dýzy	Menovitý tepelný výkon kW	Menovitá spotreba	Znížená tepelná kapacita kW	Tlak plynu mbar		
						min.	rat.	max.
ZEMNÝ PLYN (Metán) <b>G20</b>	Rýchly (R)	128 B	3,00	286 l/h	0,70	17	20	25
	Stredne rýchly (SR)	97	1,75	167 l/h	0,40			
	Pomocný (AUX)	78 A	1,00	95 l/h	0,40			
	s dvoma prstencami (DC)	141	4,00	381 l/h	2,20			
SKVAPALNENÝ ROPNÝ PLYN (Bután) <b>G30</b>	Rýchly (R)	87	3,00	218 g/h	0,70	20	30	35
	Stredne rýchly (SR)	67	1,75	127 g/h	0,40			
	Pomocný (AUX)	50	1,00	73 g/h	0,40			
	s dvoma prstencami (DC)	94	3,70	269 g/h	2,20			
SKVAPALNENÝ ROPNÝ PLYN (Propán) <b>G31</b>	Rýchly (R)	87	3,00	214 g/h	0,70	20	30	35
	Stredne rýchly (SR)	67	1,75	125 g/h	0,40			
	Pomocný (AUX)	50	1,00	71 g/h	0,40			
	s dvoma prstencami (DC)	94	3,70	264 g/h	2,20			

Druh používaného plynu	Konfigurácia modelu 5 HORÁKOV	Menovitý tepelný príkon (kW)	Celková menovitá spotreba	Objem vzduchu (m <sup>3</sup> ) potrebný na spálenie 1m <sup>3</sup> plynu
<b>G20</b> 20 mbar	1R - 2SR - 1AUX - 1DC	11,50	1095 l/h	9,52
<b>G30</b> 30 mbar	1R - 2SR - 1AUX - 1DC	11,20	814 g/h	30,94
<b>G31</b> 30 mbar	1R - 2SR - 1AUX - 1DC	11,20	800 g/h	23,80

ELEKTRICKÉ NAPÁJANIE: 220-240 V ~ 50-60 Hz -0,6W

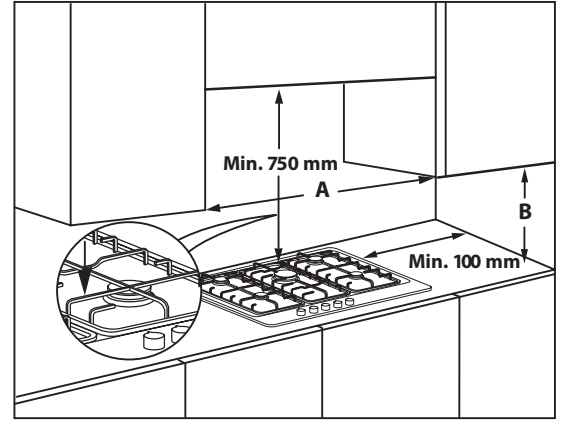
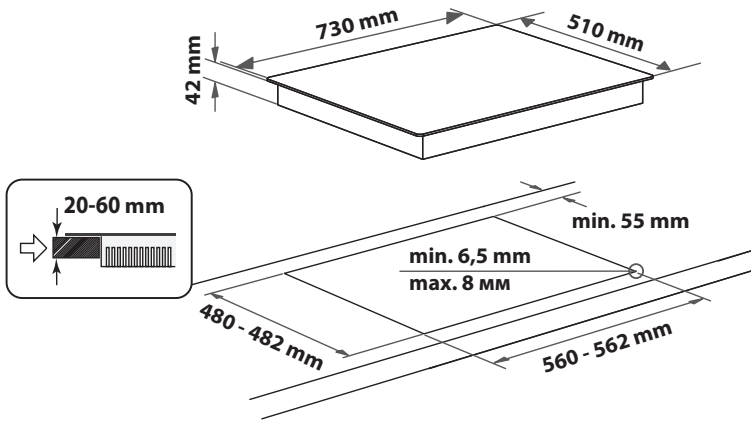


## INŠTALÁCIA (TRIEDA 3)

### TECHNICKÉ INFORMÁCIE PRE TECHNIKA VYKONÁVAJÚCEHO INŠTALÁCIU

- Pri manipulácii, príprave a inštalácii produktu používajte ochranné rukavice.
- Táto varná doska môže byť zasadená do pracovnej dosky s hrúbkou 20 až 60 mm.
- Ak pod varnou doskou nie je rúra, namontujte oddeľovací panel s minimálne rovnakou plochou ako je plocha otvoru v pracovnej ploche. Tento panel musí byť umiestnený v maximálnej vzdialenosti 150 mm pod horným povrchom pracovnej plochy, ale nikdy nie menej ako 20 mm od dna varnej dosky. V prípade, že chcete pod varnú dosku umiestniť rúru, musí byť táto rúra vybavená systémom chladenia.

### ROZMERY A VZDIALENOSTI, KTORÉ TREBA DODRŽIAVAŤ



**POZNÁMKA:** ak je vzdialenosť „A“ medzi nástennými skrinkami 600 mm až 730 mm, výška „B“ musí byť minimálne 530 mm. Ak je vzdialenosť „A“ medzi nástennými skrinkami väčšia ako šírka varnej dosky, výška „B“ musí byť minimálne 400 mm. V prípade inštalácie odsávača pár nad varnú plochu dodržiavajte pri inštalácii pokyny k odsávaču o správnych vzdialenostiach.

### MONTÁŽ

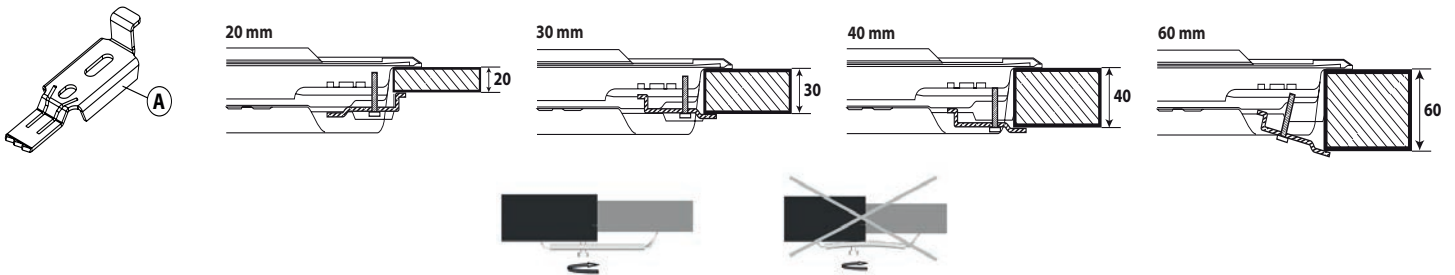
Po vyčistení povrchu obvodu namontujte dodávané tesnenie, ako je zobrazené na obrázku.

Umiestnite varnú dosku v otvore pracovnej plochy, pričom dodržiavajte rozmery uvedené v pokynoch.



**POZNÁMKA:** prívodný elektrický kábel musí mať dostatočnú dĺžku, aby bolo možné, aj po zapojení, varnú dosku vybrať z pracovnej plochy.

Na upevnenie varnej dosky použite konzoly (A) dodané s varnou doskou. Upevnite konzoly v príslušných otvoroch zobrazených šípkou a upevnite ich prostredníctvom skrutiek, v závislosti od hrúbky pracovnej dosky (pozrite si nasledujúce obrázky).

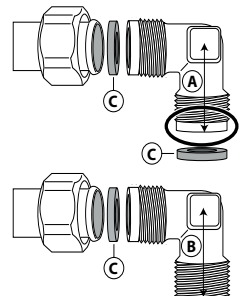


### PLYNOVÁ PRÍPOJKA

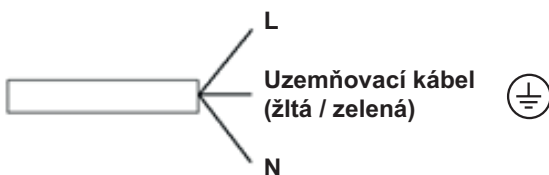
- Zapojte dodaný ohyb (A)\* alebo (B)\* ku prípojke varnej dosky, pričom vložte aj dodané tesnenie (C), v súlade s normou EN 549.

\* Ohyb (A) použite vo Francúzsku a ohyb (B) v ostatných krajinách.

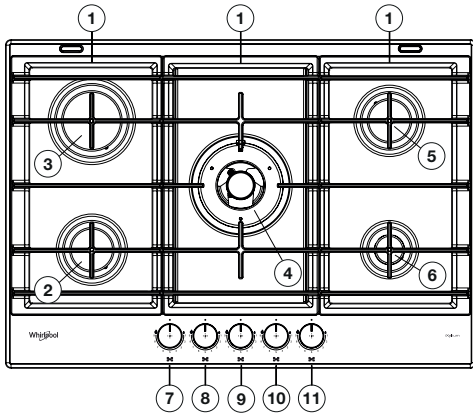
- Po pripojení k prívodu plynu vykonajte kontrolu úniku použitím mydlovej vody. Zapáľte horáky a otočte kohútiky z maximálnej polohy ☹ do minimálnej polohy ☺ by ste skontrolovali stabilitu plameňa.



### ELEKTRICKÉ PRIPOJENIE



# OPIS SPOTREBIČA



1. Snímateľná mriežka
2. Rýchly horák
3. Stredne rýchly horák
4. Horák s dvoma prstencami
5. Stredne rýchly horák
6. Pomocný horák
7. Ovládací gombík stredne rýchle horáka
8. Ovládací gombík rýchleho horáka
9. Ovládací gombík horáka s dvoma prstencami
10. Ovládací gombík stredne rýchle horáka
11. Ovládací gombík pomocného horáka

## Symboľy

- Plný krúžok ● Kohútik je zatvorený
- Veľký plameň 🔥 Maximálne otvorenie alebo maximálny výkon/elektrické zapálenie
- Malý plameň 🔥 Minimálne otvorenie alebo znížený prívod plynu



# KAŽDODENNÉ POUŽÍVANIE

## AKO POUŽÍVAŤ VARNÚ DOSKU

⚠ Nedovoľte, aby plameň horáka presahoval cez okraj panvice.

**DÔLEŽITÉ UPOZORNENIE:** počas používania varnej dosky sa môže rozohriať celý jej povrch.

- aby ste zapálili horáky, otočte príslušné ovládacie gombíky smerom vľavo do polohy maximálneho plameňa.
- Zatláčajte gombík proti ovládacímu panelu, aby ste horák zapálili.
- Po zapálení horáka podržte gombík stlačený ešte približne 5–10 sekúnd, aby sa zabezpečila činnosť poistky.
- Táto poistka zastaví unikanie plynu v prípade náhodného zhasnutia plameňa horáka (prievan, momentálne prerušenie dodávky plynu, vykypanie tekutiny na horák atď.).
- **Gombík nesmie ostať stlačený dlhšie ako 15 sekúnd. Ak po uplynutí tejto doby horák neostane horieť, počkajte aspoň jednu minútu, až potom sa pokúste horák znovu zapáliť.**

**POZNÁMKA:** ak by sa horák následkom špecifických podmienok pri miestnej dodávke plynu ťažko zapaloval, odporúčame vám zopakovať uvedený postup s gombíkom otočeným do polohy malého plameňa.

**Horák môže zhasnúť po pustení gombíka.** Znamená to, že termoelektrický článok sa nezahrial dostatočne. V tomto prípade zopakujte úkony opísané vyššie. Pri náhodnom zhasnutí plameňa otočte otočný ovládač do polohy odpovedajúcej vypnutiu a pred opätovným pokusom o jeho zapálenie vyčakajte najmenej 1 minútu.

## PRAKTICKÉ RADY PRI POUŽÍVANÍ HORÁKOV

Táto varná doska je vybavená horákmi s rôznymi priemerami. Na zvýšenie výkonnosti horákov dodržiavajte nasledujúce pravidlá:

- používajte hrnce a panvice s rovnakým priemerom dna, ako je priemer varných zón, alebo o niečo väčším (pozrite tabuľku vpravo);
- používajte iba panvice a hrnce s rovným dnom;
- používajte správne množstvo vody na varenie a na hmcach používajte pokrievky;
- nedovoľte, aby hrnce na mriežkach presahovali cez okraj varnej dosky;
- v prípade panvíc s vypuklým dnom (wok) použite podpornú mriežku (nie je súčasťou dodávky), ktorú však možno umiestniť iba na viackruhový horák;
- zabráňte nárazom hrcov, mriežok alebo iného kuchynského náradia,
- nenechávajte prázdne nádoby na steaky na zapnutom sporáku dlhšie ako 5 minút.

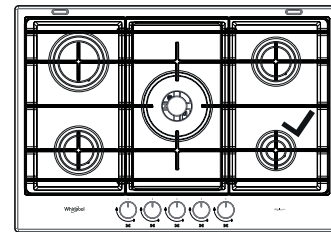
**DÔLEŽITÉ UPOZORNENIE:** Nevhodné používanie mriežky môže zapríčiniť poškodenie platne sporáka: nekladte preto mriežku opačne, ani ju neposúvajte po ploche platne.

HORÁK	Ø NÁDOBY
2 kruhy	24 až 26 cm
Rýchly	24 až 26 cm
Stredne rýchly	16 až 22 cm
Pomocný	8 až 14 cm

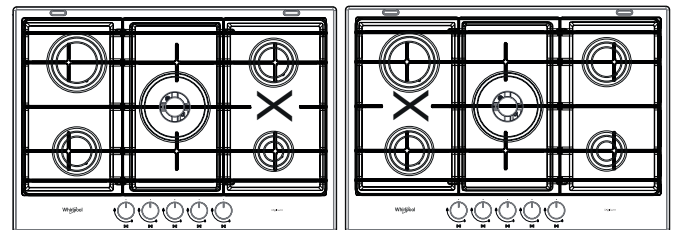
Neodporúčame Vám používať:

- Liatinové panvice, kameninové nádoby, hlinené kastroly alebo keramické hrnce.
- Rozptyľovače plameňa vo forme kovovej mriežky alebo iné.
- Použitie dvoch horákov súčasne pre jednu oválnu nádobu (napr. na prípravu ryby).

## SPRÁVNE UMIESTNENIE MRIEŽOK



OK



NO

NO

## REGULÁCIA PRE ODLIŠNÉ DRUHY PLYNU

⚠ Tento úkon musí vykonať vyškolený technik.

Ak má byť spotrebič napájaný iným plynom ako je uvedené na štítku s technickými údajmi a na informačnej nálepke umiestnenej na varnej doske, vymeňte dýzy. Odlepte informačnú nálepku a nalepte ju do návodu na použitie.

**Použite regulátory tlaku vhodné pre tlak plynu uvedený v Pokynoch:**

- Plynový vstrekovač musia vymeniť v popredajovom servise alebo to musí vykonať kvalifikovaný technik er;
- Vstrekovač sa nedodáva so spotrebičom, musíte ho objednať prostredníctvom popredajového servisu;
- Upravte minimálne nastavenie kohútov.

**POZNÁMKA:** pri používaní skvapalneného ropného plynu (G30/G31), musí byť skrutka minimálneho nastavenia plynu čo najviac zatiahnutá.

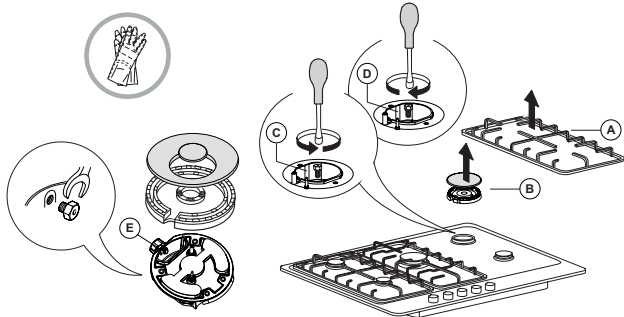
**DÔLEŽITÉ UPOZORNENIE:** ak by ste mali ťažkosti s otočením gombíkov horákov, prosím, kontaktujte pracovníkov servisu, aby ventil horáka vymenili, ak je chybný.

**DÔLEŽITÉ UPOZORNENIE:** ak sa používa tlaková plynová nádoba, tlaková plynová nádoba alebo plynový zásobník musia byť správne osadené (vertikálne smerovanie).

## VÝMENA DÝZ (pozrite tabuľku dýz v Bezpečnostných pokynoch)

⚠ Tento úkon musí vykonať vyškolený technik.

- Odstráňte mriežky (A).
- Vyberte horáky (B).
- Použitím nástřného klúča vhodnej veľkosti odskrutkujte dýzu (C), ktorú treba vymeniť.
- Nahradte vhodnou dýzou pre nový druh plynu.
- Znovu namontujte dýzu v (D).
- Ak máte horák so zložitou korunkou, použite pri výmene dýzy bočný objímkový klúč (E).



Pred inštaláciou varnej dosky nezabudnite pripevniť štítok s kalibráciou plynu, ktorý sa dodáva s dýzami tak, aby zakryl existujúce informácie týkajúce sa kalibrácie plynu.

## UPRAVENIE MINIMÁLNEHO NASTAVENIA PLYNOVÝCH KOHÚTOV

⚠ Tento úkon musí vykonať vyškolený technik.

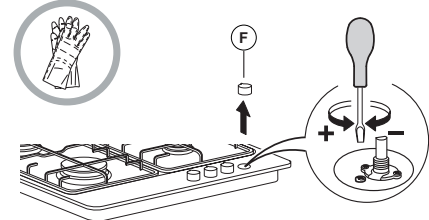
Reguláciu musíte vykonať s kohútom v polohe minimálneho nastavenia (malý plameň) ⚡.

Primárny vzduch horákov nemusíte nastavovať.

Aby ste zabezpečili správne minimálne nastavenie, odstráňte gombík (F) a postupujte ďalej takto:

- utiahnite skrutku, aby ste znížili výšku plameňa (-);
- uvoľnite skrutku, aby ste výšku plameňa zvýšili (+).

V tomto kroku zapáľte horáky a otočte gombíky z maximálnej polohy na minimálnu polohu ⚡, aby ste skontrolovali stabilitu plameňa.



Pred ukončením nastavenia znovu utesnite, použite tesniaci vosk alebo iný vhodný materiál.

## VIACÚROVNÝ PLAMEŇ

ÚROVEŇ	SPÔSOB/TYP VARENIA (ODPORÚČANÉ PRE)	NIEKOĽKO RÁD PRI VARENÍ
1 – 2	UDRŽIAVANIE TEPLoty JEDLA	Ideálne na zmäkčovanie masla, jemné rozpúšťanie čokolády vo vodnom kúpeli, roztápanie malých porcií, príprava rizota.
	JEMNÉ VARENIE	
3 – 4	SLABÉ VRENIE	Ideálne pre recepty s pomalým varením (ryža, omáčky, pečené mäso, ryby) s tekutinami (napr. voda, víno, vývar) a na varenie cestovín v mlieku, udržiavanie v slabom vare.
	DUSENIE	
5 – 6	PRAŽENIE	Ideálne na rýchle o praženie, dusenie zeleniny, varenie dlhšiu dobu, predhrievanie nádob, varenie, až má jedlo krémovú konzistenciu.
	VYPRÁŽANIE	
7 – 8	SMAŽENIE S MIEŠANÍM	Ideálne na o praženie dohnedá, začiatok varenia, rýchle zovretie tekutín, vysmážanie hlboko zmrazených jedál, grilovanie mäsa a rýb, udržiavanie silného varu.
	GRILOVANIE	
9	RÝCHLY OHREV	Ideálne na rýchle zvýšenie teploty jedla alebo na zohrievanie tekutín (vody).

## ÚDRŽBA A ČISTENIE

⚠ Odpojte prístroj od elektrického napájania.

### ČISTENIE POVRCHU VARNEJ DOSKY

- Všetky smaltované a sklenené časti sa musia čistiť teplou vodou s prídavkom neutrálneho čistiaceho prostriedku.
- Na antikorových povrchoch môžu ostať škvrny vodného kameňa alebo škvrny po dlhodobom pôsobení agresívneho čistiaceho prostriedku. Ak niečo vykypelo (voda, omáčka, káva a pod.), odstráňte zvyšky ešte predtým, ako sa priškvaria.
- Povrch čistíte teplou vodou a neutrálnym čistiacim prostriedkom, potom osušte mäkkou handrou alebo jelenicou. Zapečené škvrny odstráňte špeciálnym čističom na antikorové povrchy.

**POZNÁMKA: antikorový povrch čistite výhradne mäkkou handrou alebo špongiou.**

- Nepoužívajte abrazívne alebo korozívne prostriedky, čističe s obsahom chlóru alebo drôtenky na panvice..
- Nepoužívajte spotrebiče využívajúce na čistenie paru.
- Nepoužívajte horľavé výrobky.
- Nenechajte na varnej doske pôsobiť kyselinu alebo alkalické látky, ako ocot, horčicu, soľ, cukor alebo citrónovú šťavu.

### ČISTENIE DIELCOV VARNEJ DOSKY

- Sklo a smaltované diely čistíte výlučne jemnou handričkou alebo špongiou.
- Mriežky, viečka horákov a horáky môžete pred čistením vybrať.
- Umývajte ich ručne v teplej vode a neabrazívnym čistiacim prostriedkom, pozorne odstráňte všetky zvyšky jedál a skontrolujte, či nie sú upchaté otvory horáka.
- Opláchnite a pozorne osušte.
- **Liatinové rošty možno umývať v umývačke riadu. Pred umiestnením roštov do najspodnejšieho koša umývačky riadu odstráňte všetky pripáleniny.**
- Horáky a viečka horákov vráťte na miesta.
- Pri umiestňovaní mriežok dávajte pozor, aby oblasť polohy hrncov bola zarovnaná s horákmi.
- Modely vybavené elektrickým zapalovaním a bezpečnostnou poistkou vyžadujú dokonalé očistenie zapalovania, aby bola zabezpečená ich správna činnosť. Kontrolujte tieto prvky často a podľa potreby ich čistite vlhkou handričkou. Akékoľvek zapečené zvyšky jedál treba odstrániť špáradlom alebo ihlou.

**POZNÁMKA: aby ste predišli poškodeniu zariadenia elektrického zapalovania, nepoužívajte ho, keď horáky nie sú na svojich miestach.**



## RIEŠENIE PROBLÉMOV

Ak by varná doska nefungovala správne, predtým, ako zavoláte servis, skúste problém vyriešiť pomocou príručky na odstraňovanie problémov.

### 1. Ak sa horák nedá zapáliť alebo plameň nie je rovnomerný

Skontrolujte, či:

- Dodávka plynu alebo elektriny nie je prerušená a hlavne, či je otvorený kohút plynovej prípojky.
- Je prázdna tlaková plynová nádoba (kvapalný plyn).
- Otvory horáka nie sú upchaté.
- Koncovka zapaľovania nie je špinavá.
- Všetky časti horáka sú umiestnené na svojich miestach.
- V blízkosti varnej dosky nie je prievan.

### 2. Horák prestane horieť.

Skontrolujte, či:

- Pri zapálení horáka bol gombík stlačený dosť dlho na to, aby sa aktivovalo ochranné zariadenie.
- Otvory horáka v blízkosti termoelektrického článku nie sú upchaté.
- Koncovka bezpečnostnej poistky nie je špinavá.
- Minimálne nastavenie horáka je správne (pozrite príslušnú časť).

### 3. Nádoby nie sú stabilné.

Skontrolujte, či:

- Dno nádoby je úplne ploché.
- Nádoba je v strede horáka.
- Mriežky nie sú zamenené alebo nesprávne umiestnené.

Ak po horeuvedených kontrolách porucha pretrváva, zavolajte najbližšie servisné stredisko

## PO-PREDAJNÝ SERVIS

Aby sme vám mohli lepšie poskytovať pomoc, zaregistrujte, prosím, svoj spotrebič na [www.whirlpool.eu/register](http://www.whirlpool.eu/register).

### PREDTÝM, NEŽ ZAVOLÁTE POPREDAJNÝ SERVIS:

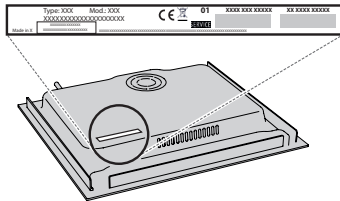
1. Zistite, či nedokázate problém vyriešiť sami s pomocou návrhov riešení uvedených v časti **RIEŠENIE PROBLÉMOV**.
2. Spotrebič vypnite a opäť zapnite, aby ste skontrolovali, či chyba pretrváva.

### AK PO KONTROLÁCH UVEDENÝCH VYŠŠIE PORUCHA NAĎALEJ PRETRVÁVA, SPOJTE SA S NAJBLIŽŠÍM AUTORIZOVANÝM SERVISNÝM STREDISKOM.

Ak potrebujete pomoc, volajte na číslo uvedené v záručnej knižke alebo postupujte podľa pokynov na webovej stránke [www.whirlpool.eu](http://www.whirlpool.eu).

Pri kontaktovaní nášho zákazníckeho popredajného servisu vždy uveďte:

- stručný opis poruchy;
- presný typ a model spotrebiča;



- sériové číslo (číslo uvedené po slove SN na výkonnostnom štítku umiestnenom pod prístrojom). Sériové číslo je tiež uvedené v dokumentácii;



Mod. XXX XXX

Ind.C. XXXX XXXX XXXX

Prod.N. 86999XXXXXXXX S.N. XXXX XXXX XXXX

- vašu úplnú adresu;
- vaše telefónne číslo.

Ak je nevyhnutné spotrebič opraviť, obráťte sa na autorizované servisné stredisko (zaručí sa tým použitie originálnych náhradných dielov a správny postup pri oprave).

Prenesite celotna navodila za uporabo na <http://docs.whirlpool.eu> ali pokličite telefonsko številko, navedeno v garancijski knjižici.

⚠ Ta navodila veljajo, če se na aparatu pojavi simbol države. Če se simbol ne pojavi na aparatu, glejte tehnična navodila, v katerih boste našli napotke glede prilagoditve aparata pogojem za uporabo v dani državi.

⚠ POZOR: Uporaba plinskega kuhalnika v prostoru namestitve ustvarja toploto, vlago in ostanke zgorevanja. Poskrbite za dobro prezračevanje kuhinje, kar še posebej velja med uporabo aparata: prezračevalne odprtine naj bodo odprte, lahko pa namestite tudi mehansko prezračevalno napravo (mehanska kuhinjska napa). Če aparat dalj časa intenzivno uporabljate, boste morebiti morali poskrbeti za dodatno prezračevanje, tako da odprete okno ali zagotovite učinkovitejše prezračevanje, na primer s povečanjem stopnje mehanskega prezračevanja (če je mogoče).

⚠ Neupoštevanje napotkov iz tega priročnika lahko povzroči požar ali eksplozijo, ki lahko ima za posledico materialno škodo ali telesne poškodbe.

Pred uporabo aparata preberite ta varnostna navodila. Navodila za prihodnjo uporabo hranite na dosegu roke. V navodilih za uporabo in na aparatu so pomembna varnostna navodila, ki jih mora uporabnik prebrati in vedno upoštevati. Proizvajalec ne prevzema odgovornosti v primeru neupoštevanja varnostnih navodil, nepravilne uporabe aparata ali napačne nastavitve upravljalnih elementov.

⚠ OPOZORILO: če na površini kuhalne plošče opazite razpoke, aparata ne uporabljajte, saj obstaja nevarnost električnega udara.

⚠ OPOZORILO: Nevarnost požara: Na kuhalnih površinah ne shranjujte predmetov.

⚠ POZOR: Postopek kuhanja je treba nadzorovati. Postopek kratkotrajnega kuhanja je treba nenehno nadzorovati.

⚠ OPOZORILO: nenadzorovano kuhanje na kuhalni plošči z mastjo ali oljem je lahko nevarno, saj obstaja možnost požara. NIKOLI ne skušajte pogasiti ognja z vodo, ampak napravo izključite in nato pokrijte plamen npr. s pokrovom ali požarno odejo.

⚠ Kuhalne plošče ne uporabljajte kot delovni pult ali podlago. Pazite, da aparat ne pride v stik s krpami ali drugimi vnetljivimi predmeti, dokler se vse komponente povsem ne ohladijo, saj lahko pride do požara.

⚠ Zelo majhni otroci (0–3 leta) ne smejo biti v bližini aparata. Majhni otroci (3–8 let) ne smejo biti v bližini aparata brez stalnega nadzora. Otroci, stari 8 let ali več, in osebe z omejenimi telesnimi, čutnimi ali razumskimi sposobnostmi oz. osebe, ki nimajo izkušenj in znanja, lahko aparat uporabljajo le, če so

pod nadzorom oz. če so bili poučeni o varni uporabi aparata in se zavedajo morebitnih nevarnosti. Otroci se z aparatom ne smejo igrati. Otroci brez nadzora ne smejo čistiti ali vzdrževati aparata.

⚠ POZOR: če steklo kuhalne plošče počni, nemudoma izklopite vse gorilnike in električne grelnike ter prekinite napajanje aparata; ne dotikajte se površine aparata; aparata ne uporabljajte.

Če se stekleni pokrov segreje, lahko počni. Preden zaprete pokrov, izklopite vse gorilnike in električne plošče. Pokrova ne zaprite, ko gorilnik deluje.

⚠ OPOZORILO: Aparat in dostopni deli se med uporabo segrejejo. Pazite, da se ne dotaknete grelnikov. Otroci, mlajši od 8 let, se ne smejo zadrževati v bližini aparata, če niso pod stalnim nadzorom.

## DOVOLJENA UPORABA

⚠ POZOR: aparat ni namenjen upravljanju z zunanjimi upravljalnimi napravami, kot sta časovnik ali ločen daljinski upravljalnik.

⚠ Aparat je namenjen uporabi v gospodinjstvu in temu podobnim načinom uporabe, kot so: v kuhinjah za osebe v trgovinah, pisarnah in drugih delovnih okoljih, na kmetijah, za goste v hotelih, motelih in prebivalce drugih stanovanjskih okolij.

⚠ Druga uporaba ni dovoljena (npr. segrevanje prostorov).

⚠ Aparat ni namenjen profesionalni uporabi. Aparata ne uporabljajte na prostem.

⚠ Uporabljajte posodo, ki ima dno enake širine kot gorilniki ali rahlo širše (glejte ustrezno preglednico). Pazite, da posode na rešetkah ne segajo čez rob kuhališča.

⚠ Nepravilna uporaba mrež lahko poškoduje kuhališče: ne postavljajte mrež na glavo in ne vlecite jih po kuhališču.

Plamen gorilnika ne sme segati čez rob posode. Površina kuhalne plošče je izdelana iz stekla, zato ne uporabljajte rešetk iz litega železa, kamnitih posod in posod iz terakote.

Ne uporabljajte: Difuzorjev toplote, kot je kovinska mrežica, ali drugih vrst. Dveh gorilnikov hkrati za eno posodo (npr. posoda za pripravo rib).

Če lokalni pogoji dovoda plina otežujejo vžig gorilnika, priporočamo, da postopek ponovite tako, da gumb obrnete na nastavitev za majhen plamen. Če nad kuhalno površino namestite nape, glejte navodila nape za ustrezno razdaljo.

Gumirane zaščitne nogice pod rešetkami bi otroci lahko pogoltnili in se zadušili. Ko odstranite mreže, se prepričajte, da so vse noge pravilno nameščene.

## NAMESTITEV

⚠ Za premikanje in namestitev aparata sta potrebni najmanj dve osebi – nevarnost poškodb. Za odstranjevanje embalaže in namestitev aparata uporabite zaščitne rokavice – nevarnost ureznin.

⚠ Električni in plinski priključki morajo biti skladni z lokalnimi predpisi.

⚠ Namestitev aparata, vključno z dovodom vode (če je ta prisoten) in električnimi priključki, ter popravila smejo izvajati samo usposobljeni tehniki. Ne popravljajte ali menjajte katerega koli dela aparata, razen če to ni izrecno navedeno v navodilih za uporabo. Otroci se mestu namestitve ne smejo približevati. Ko aparat

odstranite iz embalaže, se prepričajte, da med prevozom ni bil poškodovan. Če se pojavijo težave, se obrnite na prodajalca ali na najbližji servisni center. Ko je aparat nameščen, ostanke embalaže (plastika, deli iz stiropora itd.) shranite izven dosega otrok – nevarnost zadušitve. Preden aparat namestite, ga odklopite z električnega omrežja – nevarnost električnega udara. Med namestitvijo pazite, da aparat ne poškoduje napajalnega kabla – nevarnost požara ali električnega udara. Aparat vklopite šele, ko je namestitev končana.

⚠ **OPOZORILO:** način namestitve in prilagoditve aparata so zelo pomembni za varno ter pravilno uporabo aparata v vseh pogojih.

⚠ Uporabljajte tlačne regulatorje, ki so primerni za tlak plina, naveden v navodilih.

⚠ Prostor mora biti opremljen z odsesovalnim sistemom, ki odstrani vse hlape zgorevanja. To je lahko napa ali električni ventilator, ki se samodejno zažene ob vsakem vklopu aparata.

⚠ V prostoru mora biti poskrbljeno za ustrezno kroženje zraka, saj je zrak pomemben za zagotavljanje zgorevanja. Zračni tok ne sme pasti pod 2 m<sup>3</sup>/h na kW moči.

⚠ Sistem za kroženje zraka lahko s cevjo z notranjim presekom vsaj 100 cm<sup>2</sup> zrak zajame neposredno od zunaj; nevarnost za zamašitev odprtine ne sme obstajati.

⚠ Sistem zrak za zgorevanje zagotavlja tudi neposredno iz sosednjih prostorov, pri čemer morajo biti nameščene cevi za kroženje zraka (kot je opisano zgoraj). Ti prostori ne smejo biti dnevna soba, spalnice in sobe, v katerih obstaja nevarnost požara.

⚠ Utekočinen naftni plin se spusti na tla, saj je težji od zraka. Sobe, v katerih so jeklenke z utekočinjenim naftnim plinom, morajo biti opremljene z zračniki, ki omogočajo odvajanje plina v primeru puščanja. Polnih ali delno napoljenih jeklenk z utekočinjenim naftnim plinom torej ni dovoljeno namestiti ali shranjevati v podzemnih prostorih ali skladiščih (kleti itd.). Priporočamo, da v prostoru hranite samo jeklenko, ki jo uporabljate, pri čemer jo namestite tako, da nanjo ne vpliva toplota zunanjih virov (pečice, kamini, štedilniki itd.), ki bi lahko jeklenko segreti nad 50 °C.

Če se gumbi gorilnikov težko vrtijo, se obrnite na servisno službo za zamenjavo ventila gorilnika, če je pokvarjen.

Odprtini za prezračevanje in odvajanje toplote nikdar ne prekrivajte.

⚠ Vse potrebne izreze v element izvedite pred vgradnjo aparata ter odstranite vse lesene trske in žagovino.

⚠ Če aparat ni vgrajen nad pečico, je treba v predelu pod aparatom vgraditi ločevalno ploščo (ni priložena).

#### **PLINSKI PRIKLJUČEK**

⚠ **OPOZORILO:** pred namestitvijo se prepričajte, da je nastavev aparata skladna z lokalnimi oskrbovalnimi pogoji (vrsta plina in tlak plina).

⚠ Preverite, ali tlak dovoda plina ustreza vrednostim v preglednici „Lastnosti gorilnika in šobe“.

⚠ **OPOZORILO:** pogoji za nastavev aparata so navedeni na nalepkah (ali podatkovni ploščici).

⚠ **OPOZORILO:** aparat ni povezan z napravo za odvajanje ostankov zgorevanja. Nameščen in priključen mora biti skladno z veljavnimi predpisi za namestitve. Posebno pozornost je treba posvetiti ustreznim zahtevam glede prezračevanja.

⚠ Če je aparat priključen na utekočinen plin, mora biti regulacijski vijak popolnoma privit.

⚠ **POMEMBNO:** Če sta nameščena plinska jeklenka ali plinski vsebnik, ju morate pravilno obrniti (navpično).

⚠ **OPOZORILO:** to delo mora izvesti usposobljen tehnik.

⚠ Za priklop plina uporabljajte samo upogibno ali togo kovinsko cev.

⚠ Prikluček s togo cevjo (bakreno ali jekleno) Prikluček na plinski sistem je treba izvesti tako, da ne obremenjuje aparata. Na vhodnem območju aparata je nastavljen L-prikluček za cev, v katerem je tesnilo za preprečevanje puščanja plina. Ob vsakem zasuku priključka za cev je treba zamenjati tesnilo (tesnilo je priloženo aparatu). Prikluček cevi za dovod plina je cilindrični moški priključek 1/2 z navojem.

⚠ Namestitev gibke cevi iz nerjavnega jekla na navojni priključek. Prikluček za dovod plina je cilindrični moški priključek 1/2 z navojem. Cevi morajo biti nameščene tako, da v popolnoma iztegnjenem stanju nikoli ne presežejo 2000 mm. Po priključitvi se prepričajte, da se gibka kovinska cev ne dotika premičnih delov in da ta ni stisnjena. Uporabljajte samo cevi in tesnila, ki so v skladu z veljavnimi nacionalnimi predpisi.

⚠ **POMEMBNO:** če uporabljate gibko cev iz nerjavnega jekla, mora biti nameščena tako, da se ne dotika premičnih delov pohištva (npr. predalov). Speljana mora biti skozi območje, kjer ni ovir in kjer jo je mogoče pregledati po celotni dolžini.

⚠ Aparat je treba na glavni dovod plina ali na plinsko jeklenko priključiti v skladu z veljavnimi nacionalnimi predpisi. Pred priključitvijo se prepričajte, da aparat ustreza dovodu plina, ki ga želite uporabiti. V nasprotnem primeru upoštevajte navodila v odstavku „Prilagoditev za različne vrste plina“.

⚠ Po priklopu na dovod plina preverite morebitno puščanje z milnico. Prižgite gorilnike ter gumbe zavrtite iz položaja za najvišjo vrednost 1\* v položaj za najnižjo vrednost 2\*, da preverite stabilnost plamena.

#### **PRILAGODITEV ZA RAZLIČNE VRSTE PLINA**

(To delo mora opraviti usposobljen tehnik).

⚠ Za prilagoditev aparata na vrsto plina, za katero aparat ni bil proizveden (naveden na tipski ploščici), upoštevajte predpisane korake za shemo namestitve.

#### **OPOZORILO GLEDE ELEKTRIČNEGA TOKA**

⚠ **POMEMBNO:** Podatki o porabi toka in napetosti so navedeni na napisni tablici.

⚠ Prekinitev napajanja aparata mora biti mogoča z izklopom vtiča, če je ta na dosegu roke, ali z večpolnim stikalom, ki je v skladu s predpisi za ožičenje nameščeno na vodu med vtičnico in aparatom. Aparat mora biti ozemljen v skladu z državnimi standardi glede električne varnosti.

---

⚠ Napajalni kabel mora biti dovolj dolg, da bo aparat mogoče priključiti na električno omrežje, ko bo ta nameščen na ustrezno mesto. Ne vlecite napajalnega kabla.

⚠ Prepovedana je uporaba podaljškov, razdelilnih vtičnic in adapterjev. Električne komponente po namestitvi aparata uporabnikom ne smejo biti dostopne. Aparata ne uporabljajte, kadar ste mokri ali bos. Aparata ne uporabljajte, če ima poškodovan napajalni kabel ali vtič, če ne deluje pravilno oziroma če je bil poškodovan ali je padel.

⚠ Za preprečevanje nevarnosti lahko poškodovan napajalni kabel z enakim kablom nadomesti le proizvajalec, njegov serviser ali podobno usposobljena oseba – nevarnost električnega udara.

### **ČIŠČENJE IN VZDRŽEVANJE**

⚠ **OPOZORILO:** Aparat morate pred vzdrževalnimi deli izklopiti in izključiti z električnega napajanja; ne uporabljajte parnih čistilcev, saj obstaja nevarnost električnega udara.

⚠ Ne uporabljajte abrazivnih ali korozivnih izdelkov, čistil na osnovi klora ali žičnatih gob.

⚠ Da bi preprečili poškodbe električne vžigalne naprave, je ne uporabljajte, če gorilniki niso v ohišju.

### **ODSTRANJEVANJE EMBALAŽE**

Embalažo je mogoče povsem reciklirati in je označena s simbolom za recikliranje




Dele embalaže zato zavrzite odgovorno in v skladu s predpisi pristojnih služb, ki urejajo odlaganje odpadkov.

### **ODSTRANJEVANJE GOSPODINJSKIH APARATOV**

Aparat je izdelan iz materialov, ki jih je mogoče reciklirati ali ponovno uporabiti. Aparat zavrzite v skladu z veljavnimi lokalnimi predpisi. Dodatne informacije o odstranjevanju in recikliranju električnih gospodinjskih aparatov lahko dobite na pristojnem občinskem uradu, pri komunalni službi ali v trgovini, kjer ste aparat kupili. Aparat je označen v skladu z evropsko Direktivo 2012/19/EU o odpadni električni in elektronski opremi (OEEO) in uredbami o odpadni električni in elektronski opremi (WEEE) iz leta 2013 (v veljavni različici).

Aparat odložite na predvidenih zbirnih mestih, saj lahko s tem preprečite škodljive posledice za okolje in zdravje ljudi.

Simbol  na izdelku ali priloženi dokumentaciji pomeni, da je aparat prepovedano odlagati med gospodinjske odpadke. Oddati ga je treba na zbirnem centru za recikliranje električne in elektronske opreme.

### **NASVETI ZA VARČEVANJE Z ENERGIJO**

Uporabljajte posodo, ki ima dno enake širine kot kuhalno območje.

Uporabljajte samo posode z ravnim dnom.

Če je možno, naj bodo med kuhanjem na posodah pokrovke.

Z ekonom loncem prihranite še več energije in časa.

### **IZJAVA O SKLADNOSTI**

Ta naprava je skladna z zahtevami za okoljsko primerno zasnovano uredbo Komisije (EU) št. 66/2014 in uredbami iz leta 2019 za okoljsko primerno zasnovane izdelke, povezane z energijo, in energetske informacije (sprememba) (izstop iz EU) v skladu z evropskim standardom EN 30-2-1.



Vrsta uporabljenega plina	Vrsta gorilnika	Oznaka injektorja	Nazivni toplotni pretok kW	Nazivna poraba	Znižena toplotna kapaciteta kW	Plinski tlak mbar		
						najm.	naz.	najv.
ZEMELJSKI PLIN (Metan) <b>G20</b>	Hitri (R)	128 B	3,00	286 l/h	0,70	17	20	25
	Polhitri (SR)	97	1,75	167 l/h	0,40			
	Pomožni (AUX)	78 A	1,00	95 l/h	0,40			
	2 obročni gorilnik (DC)	141	4,00	381 l/h	2,20			
UTEKOČINJENI NAFTNI PLIN (Butan) <b>G30</b>	Hitri (R)	87	3,00	218 g/h	0,70	20	30	35
	Polhitri (SR)	67	1,75	127 g/h	0,40			
	Pomožni (AUX)	50	1,00	73 g/h	0,40			
	2 obročni gorilnik (DC)	94	3,70	269 g/h	2,20			
UTEKOČINJENI NAFTNI PLIN (Propan) <b>G31</b>	Hitri (R)	87	3,00	214 g/h	0,70	20	30	35
	Polhitri (SR)	67	1,75	125 g/h	0,40			
	Pomožni (AUX)	50	1,00	71 g/h	0,40			
	2 obročni gorilnik (DC)	94	3,70	264 g/h	2,20			

Vrsta uporabljenega plina	Konfiguracija modela 5 GORILNIKOV	Nazivni toplotni pretok (kW)	Skupna nazivna poraba	Zahtevan zrak (m <sup>3</sup> ) za izgorevanje 1m <sup>3</sup> plina
<b>G20</b> 20 mbar	1R - 2SR - 1AUX - 1DC	11,50	1095 l/h	9,52
<b>G30</b> 30 mbar	1R - 2SR - 1AUX - 1DC	11,20	814 g/h	30,94
<b>G31</b> 30 mbar	1R - 2SR - 1AUX - 1DC	11,20	800 g/h	23,80

ELEKTRICKÉ NAPÁJANIE: 220-240 V ~ 50-60 Hz -0,6W

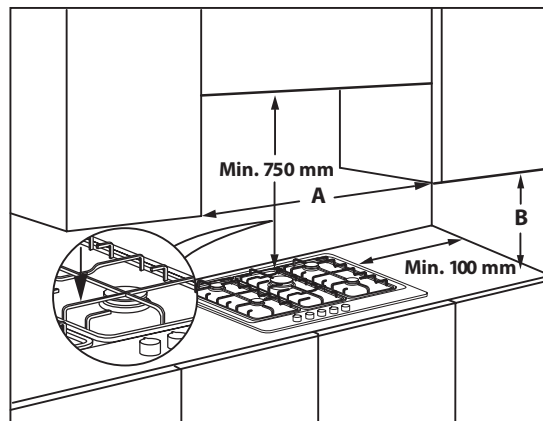
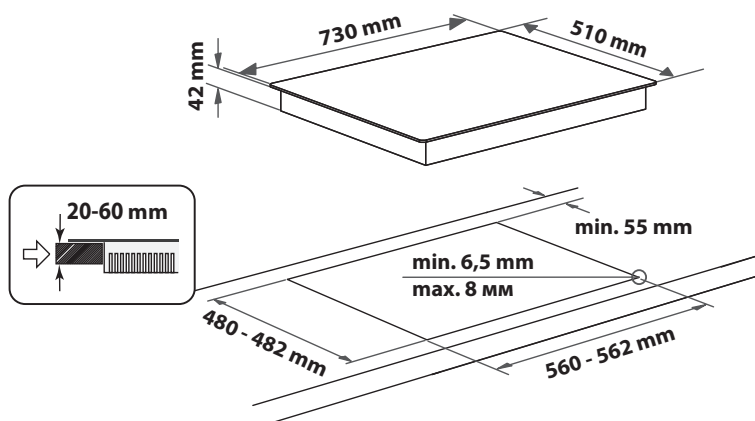


## NAMESTITEV (RAZRED 3)

### TEHNIČNE INFORMACIJE ZA INŠTALATERJA

- Za delo, pripravo in nameščanje uporabite zaščitne rokavice.
- Ta izdelek lahko vdellate v delovno površino debeline od 20 do 60 mm.
- Če pod kuhališčem ni pečice, vstavite ločevalno ploščo, katere površina je vsaj enaka odprtini v delovni površini. Ta plošča mora biti postavljena največ 150 mm pod zgornjo površino delovne površine, a ne manj kot 20 mm od dna kuhališča. Če nameravate pod kuhališče vgraditi pečico, mora ta biti opremljena s hladilnim sistemom.

### DIMENZIJE IN RAZDALJE



**OPOMBA:** Če je razdalja "A" med stenskimi elementi med 600mm in 730 mm, mora biti višina "B" najmanj 530 mm. Če je razdalja "A" med stenskimi omaricami večja od širine kuhalne plošče, mora biti višina "B" najmanj 400 mm. Če nad kuhavno površino namestite nape, glejte navodila nape za ustrezno razdaljo.

### SESTAVLJANJE

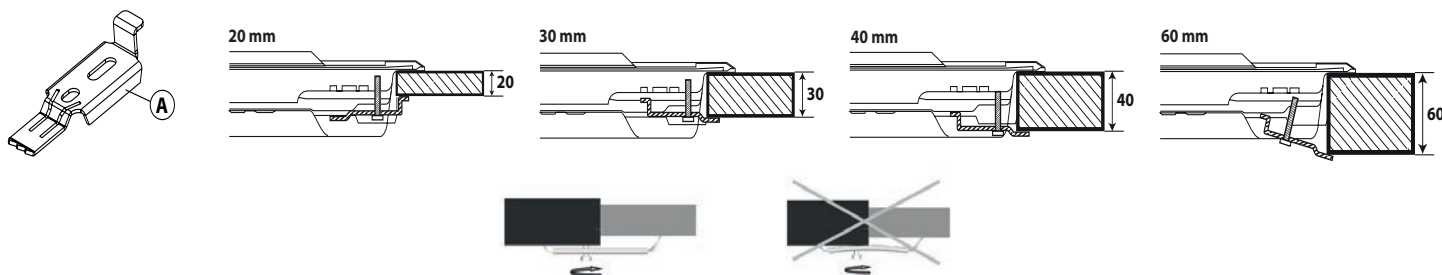
Ko očistite površino obsega, na kuhavno ploščo namestite priloženo tesnilo, kot je prikazano na sliki.

Postavite kuhališče v odprtino na delovni površini, ki je bila izrezana po dimenzijah v navodilih.



**OPOMBA:** Napajalni kabel mora biti dovolj dolg, da ga lahko izvlečete v smeri navzgor.

Za pritrditev gorilnika uporabite priložene nosilce (A). Namestite nosilce v ustrezne izvrtine, prikazane s puščico, in jih privijte z vijaki glede na debelino delovne površine (glejte naslednje slike).

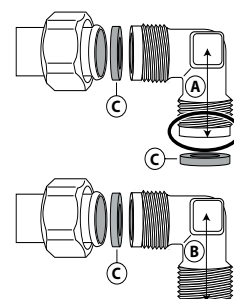


### PLINSKI PRIKLJUČEK

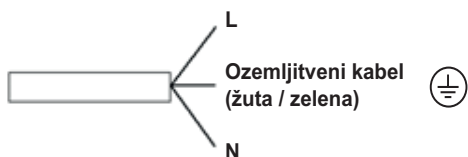
- Priklopite koleno (A)\* ali (B)\*, ki je priloženo kuhališču, na glavno dovodno cev kuhališča in namestite priloženo podložko (C) skladno z EN 549.

\* Za Francijo uporabite koleno (A), za vse druge lokacije pa (B).

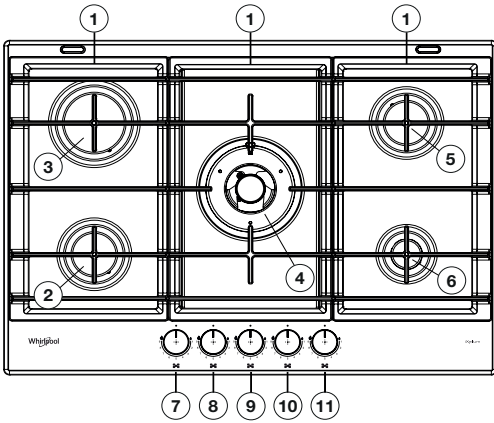
- Po priklopu na dovod plina preverite morebitno puščanje z milnico. Prižgite gorilnike in obrnite gumbce z največjega plamena na najmanjši plamen, da preverite stabilnost plamena.



### ELEKTRIČNI PRIKLJUČEK



# OPIS IZDELKA



1. Mreže za posode, ki jih je mogoče odstraniti
2. Polhitri gorilnik
3. Hitri gorilnik
4. 2-obročni gorilnik
5. Polhitri gorilnik
6. Pomožni gorilnik
7. Krmilni gumb za hitri gorilnika
8. Krmilni gumb polhitrega gorilnika
9. Krmilni gumb za 2-obročni gorilnika
10. Krmilni gumb polhitrega gorilnika
11. Krmilni gumb pomožnega gorilnika

## Simboli

- |                |   |  |
|----------------|---|--|
| Zasenčeni krog | ● | Zaprta pipa                                |
| Veliki plamen  | 🔥 | Največja odprtina/dovod in električni vžig |
| Majhen plamen  | 🔥 | Najmanjša odprtina ali zmanjšani dovod     |



# PRVA UPORABA

## KAKO UPORABLJATI KUHALIŠČE

⚠️ Plamen gorilnika ne sme segati čez rob posode.

**POMEMBNO: pri uporabi kuhališča lahko celotno območje kuhališča postane vroče.**

- Če želite prižgati en gorilnik, obrnite ustrezeni gumb v nasprotni smeri urnega kazalca na maksimalno nastavev plamena.
- Pritisnite gumb v nadzorno ploščo, da prižgete gorilnik.
- Ko se gorilnik prižge, pridržite gumb še nadaljnjih 5-10 sekund, da zagotovite pravilno delovanje naprave.
- Varnostna naprava gorilnika zapre dovod plina gorilniku, če se plamen po nesreči ugasne (npr. prepih, prekinitvev dovoda plina, prekipavanje).
- **Gumba ne smete držati več kot 15 sekund. Če po tem času gorilnik ne ostane prižgan, počakajte vsaj minuto, preden ga znova poskusite prižgati.**

**OPOMBA: Če lokalni pogoji dovoda plina otežujejo vžig gorilnika, priporočamo, da ponovite postopek tako, da gumb obrnete na nastavev za majhen plamen.**

**Gorilnik lahko ugasne, ko izpustite gumb.** To pomeni, da se varnostna naprava ni dovolj segrela. V tem primeru ponovite postopek zgoraj. Če plamen gorilnika slučajno ugasne, izključite gumb gorilnika in ga ne poskusite znova vključiti najmanj eno minuto.

## UPORABNI NASVETI ZA UPORABO GORILNIKOV

To kuhališče ima gorilnike različnih premerov. Za boljše delovanje gorilnikov upoštevajte naslednja pravila:

- uporabljajte posode, ki imajo dno enake širine kot gorilniki ali rahlo širše (glejte preglednico desno);
- uporabljajte samo posode s ploskim dnom,
- uporabljajte ustrezno količino vode za kuhanje hrane in pustite posodo pokrito,
- pazite, da posode na rešetkah ne segajo čez rob kuhališča,
- če uporabljate ponve s konveksnim dnom (vok), uporabite podporno rešetko (ni priložena), postavite pa jo lahko samo na gorilnik z več obroči,
- izogibajte senaključnim udarcem z lonci, žarjali drugimi kuhinjskimi pripomočki,
- ne puščajte praznih grezij na peči več kot 5 minut.

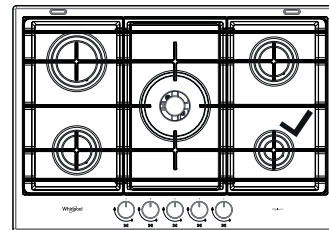
**POMEMBNO: Nepravilna uporaba mrež lahko poškoduje kuhališče: ne postavljajte mrež na glavo in ne vlečite jih po kuhališču.**

GORILNIK	Ø POSODE
2-Obročni	Od 24 do 26 cm
Hitri	Od 24 do 26 cm
Polhitri	Od 16 do 22 cm
Pomožni	Od 8 do 14 cm

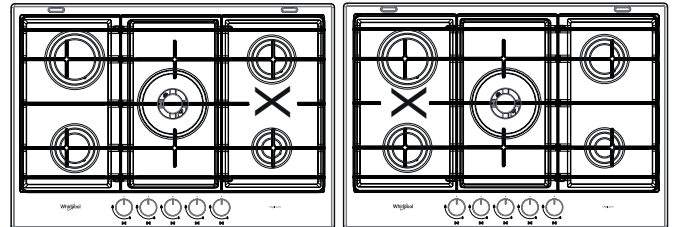
Ne uporabljajte:

- Rešetk iz litega železa, kamnitih posod in posod iz terakote.
- Difuzorjev toplote, kot je kovinska mrežica, ali drugih vrst.
- Dveh gorilnikov hkrati za eno posodo (npr. kotel za ribe).

## PRAVILNO POZICIONIRANJE GRIDOV



OK



NO

NO

## NASTAVITEV ZA RAZLIČNE VRSTE PLINA

⚠️ To delo mora izvesti usposobljen tehnik.

Če bo ta naprava delovala z drugačno vrsto plina, kot je navedena na tipski ploščici in informativni nalepki na vrhu kuhališča, zamenjajte injektorje. Odstranite informativno nalepko in jo shranite v knjižico z navodili.

**Uporabljajte tlačne regulatorje, ki so primerni za tlak plina, naveden v navodilih.**

- Injektor za plin mora zamenjati servisna služba ali usposobljen tehnik.
- Injektor, ki ni priložen napravi, morate naročiti pri servisni službi.
- Nastavite minimalno nastavev ventilov.

**OPOMBA: Če uporabljate utekočinjeni naftni plin (G30/G31), mora biti vijak za minimalno nastavev plina zategnjen, kolikor je mogoče.**

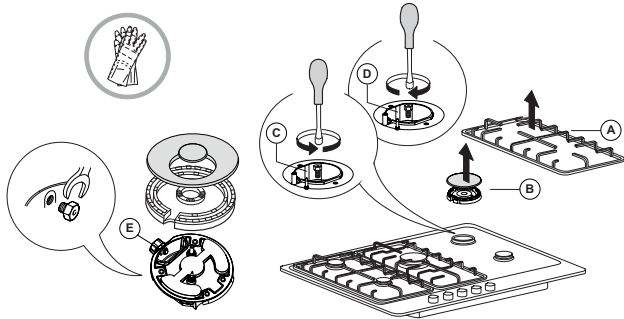
**POMEMBNO: Če gumba gorilnika stežka obračate, se obrnite na servisno službo za zamenjavo ventila gorilnika, če se ugotovi, da je okvarjen.**

**POMEMBNO: Če uporabljate plinsko jeklenko, morate jeklenko ali vsebnik pravilno obrniti (navpično).**

## ZAMENJAVA INJEKTORJEV (glejte tabelo injektorjev v varnostnih navodilih)

⚠ To delo mora izvesti usposobljen tehnik.

- Odstranite mreže (A).
- Odstranite gorilnike (B).
- Z nasadnim ključem ustrezne velikosti odvijte injektor (C), ki ga boste zamenjali.
- Zamenjajte ga z injektorjem, ki je primeren za novo vrsto plina.
- Znova sestavite injektor v (D).
- Če imate gorilnik z več obroči, za zamenjavo injektorja uporabite stranski ključ (E).



Preden namestite kuhališče, morate pritrditi ploščico za umerjanje plina, ki je priložena injektorjem, tako da pokriva obstoječe informacije glede umerjanja plina.

## NASTAVLJANJE MINIMALNE NASTAVITVE PLINA

⚠ To delo mora izvesti usposobljen tehnik.

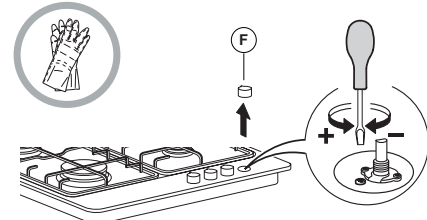
Nastavitev morate izvesti, ko je ventil na položaju za minimalni dovod plina (majhen plamen) ⚡.

Primarnega dovoda zraka gorilnikov ni treba nastavljati.

Da zagotovite, da je minimalna nastavitev pravilno nastavljena, odstranite gumb (F) in storite naslednje:

- privijte vijak, da zmanjšate višino plamena (-);
- popustite vijak, da zvišate višino plamena (+).

Nato prižgite gorilnike in obrnite gumb z največjega plamena ⚡ na najmanjši plamen ⚡, da preverite stabilnost plamena.



Po zaključku nastavitve jih znova zatesnite s tesnilnim voskom ali ustreznim materialom.

## VEČ RAVNI PLAMENA

RAVEN	NAČIN PRIPRAVE/VRSTA JEDI (PRIPOROČENO ZA)	NASVETI ZA PRIPRAVO JEDI
1-2	OHRANJANJE JEDI TOPLE	Idealno za mehčanje masla, nežno taljenje čokolade v vodni kopeli, odmrzovanje majhnih porcij, pripravo kremne rižote.
	NEŽNO KUHANJE	
3-4	POČASNO VRENJE	Idealno za recepte, ki zahtevajo dolgotrajno kuhanje (riž, omake, pečenka, ribe) s tekočinami (voda, vino, juha) in za kremne testenine, z ohranjanjem blagega vrenja.
	DUŠENJE	
5-6	PEČENJE	Idealno za praženje, dušenje zelenjave, daljše pripravljane jedi, predgretje pribora, pripravo kremastih jedi.
	CVRTJE	
7-8	HITRO CVRTJE	Idealno za površinsko pečenje, začetek kuhanja, hitro zavretje tekočin, cvrtje zamrznjenih izdelkov, pečenje mesa in rib, ohranjanje močnega vrenja.
	PEKA NA ŽARU	
9	HITRO GRETJE	Idealno za hitro pogrevanje živil ali za segrevanje tekočin (vode).

## VZDRŽEVANJE IN ČIŠČENJE

⚠ Aparat izklopite iz električnega napajanja

### ČIŠČENJE POVRŠINE GORILNIKA

- Emajlirane in steklene dele čistite s toplo vodo in nevtralnno raztopino.
- Površine iz nerjavnega jekla lahko dobijo madeže zaradi vode, ki vsebuje kalcij, ali agresivnih detergentov, če so predolgo v stiku. Različno hrano (voda, omake, kava itd.) takoj obrišite, preden se zasuši.
- Očistite s toplo vodo in nevtralnno detergentom, nato pa posušite z mehko krpo ali jelenovo kožo. Prižgano umazanijo odstranite z namenskimi čistili za površine iz nerjavnega jekla.

### OPOMBA: Nerjavno jeklo čistite samo z mehko krpo ali gobico.

- Ne uporabljajte abrazivnih ali korozivnih izdelkov, čistil na osnovi klora ali žičnatih gob.
- Ne uporabljajte parnih čistilnikov.
- Ne uporabljajte vnetljivih izdelkov.
- Na kuhališču ne puščajte kislih ali alkalnih snovi, kot so kis, gorčica, sol, sladkor ali limonov sok.

### ČIŠČENJE DELOV KUHALIŠČA

- Steklene in emajlirane dele čistite samo z mehko krpo ali gobico.
- Mreže, pokrovčke gorilnikov in gorilnike lahko za čiščenje odstranite.
- Očistite jih ročno s toplo vodo in neabrazivnim detergentom, pri čemer odstranite ostanke hrane in preverite, da odprtine gorilnika niso zamašene.
- Sperite in osušite.
- **Litoželezne rešetke lahko pomivate v pomivalnem stroju. Odstranite morebitne zažgane ostanke hrane, preden rešetko namestite v spodnjo košaro pomivalnega stroja.**
- Znova namestite gorilnike in pokrovčke gorilnika v ustrezna ohišja.
- Ko znova nameščate mreže, pazite, da je območje za odlaganje posode poravnano z gorilnikom.
- Modeli, opremljeni z električnimi vžigalnimi svečkami in varnostno napravo, za delovanje potrebujejo temeljito čiščenje vžigalnega dela. Te predmete preverjajte manj pogosto, po potrebi pa jih obrišite z vlažno krpo. Vso prižgano hrano morate odstraniti z zobotrebcom ali iglo.

**OPOMBA: Da bi preprečili poškodbe električne vžigalne naprave, je ne uporabljajte, če gorilniki niso v ohišju.**



## ODPRAVLJANJE TEŽAV

Če gorilnik ne deluje pravilno, preverite navodila za odpravljanje napak, preden kličete servis.

### 1. Gorilnik se ne prižge ali pa plamen ni enakomeren

Preverite, da:

- Dovod plina ali elektrike ni izklopljen, ventil za dovod plina je odprt.
- Jeklenka s plinom (utekočinjeni plin) ni prazna.
- Odprtine gorilnika niso zamašene.
- Del z vtičem ni umazan.
- Vsi deli gorilnika so pravilno postavljeni.
- V bližini kuhališča ni prepiha.

### 2. Gorilnik ne ostane prižgan

Preverite, da:

- Ko prižigate gorilnik, je bil gumb pritisnjen dovolj časa, da se je aktivirala zaščitna naprava.
- Odprtine gorilnika v bližini termočlena niso zamašene.
- Konec varnostne naprave ni umazan.
- Minimalna nastavitvev plina je pravilna (glejte ustrezno poglavje).

### 3. Posode niso stabilne

Preverite, da:

- Dno posode je popolnoma ravno.
- Posoda je na sredini gorilnika.
- Rešetke niso bile zamenjane ali nepravilno postavljene.

Če tudi po zgoraj navedenih ukrepih ne odpravite napake, pokličite najbližjo servisno službo.

## SERVISNA SLUŽBA

Izdelek registrirajte na spletni strani [www.whirlpool.eu/register](http://www.whirlpool.eu/register), da vam bomo lahko nudili vsestranski servis in podpor.

### PREDEN POKLIČETE SERVISNO SLUŽBO:

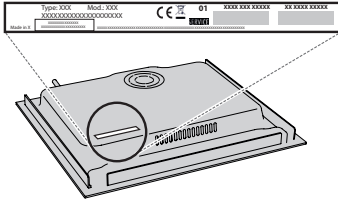
1. Preverite, ali lahko težavo odpravite sami glede na predloge v poglavju **NAVODILA ZA ODPRAVLJANJE TEŽAV**.
2. Z izklopom in ponovnim vklopom aparata preverite, ali je napaka še vedno prisotna.

### ČE VAM TUDI PO ZGORAJ NAVEDENIH UKREPIH NE USPE ODPRAVITI NAPAKE, POKLIČITE NAJBLIŽJO SERVISNO SLUŽBO.

Za pomoč pokličite številko, ki je navedena v garancijski knjižici, ali upoštevajte navodila na spletni strani [www.whirlpool.eu](http://www.whirlpool.eu).

Ko stopite v stik z našo servisno službo, vedno navedite:

- kratek opis napake;
- tip in točen model aparata;



- Serijska številka (številka po besedi SN na napisni ploščici na spodnji strani naprave). Serijska številka je navedena tudi v dokumentaciji;



Mod. XXX XXX

Ind.C. XXXX XXXX XXXX

Prod.N. 86999XXXXXXX S.N. XXXX XXXX XXXX

- točen naslov;
- svojo telefonsko številko.

Če je potrebno popravilo, se obrnite na pooblaščen servisno službo (za zagotovljeno uporabo originalnih nadomestnih delov in pravilno izvedbo popravila).

Whirlpool Management EMEA S.r.l.

via Carlo Pisacane n.1,  
20016 Pero (MI), ITALY



400011666146

Whirlpool