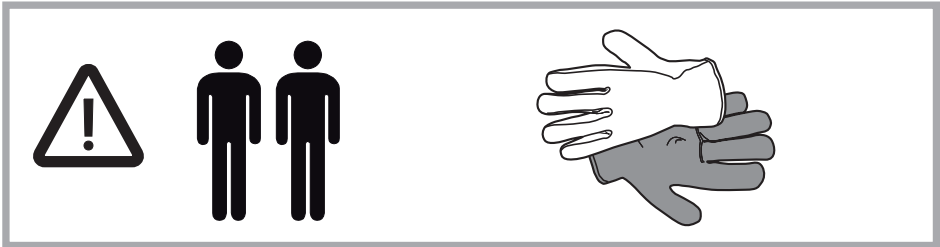
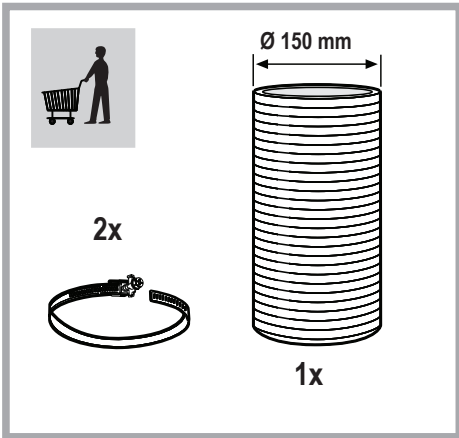
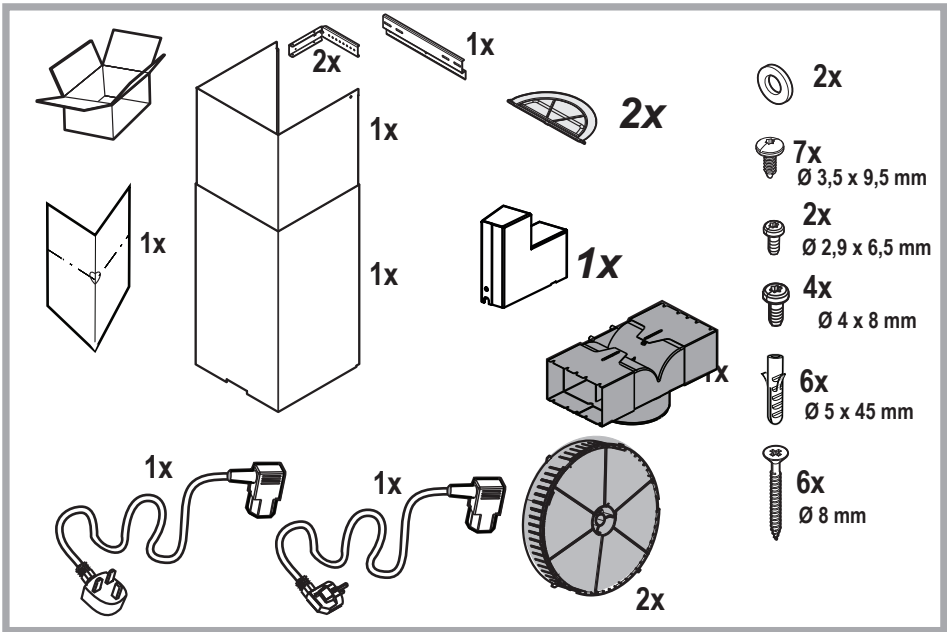
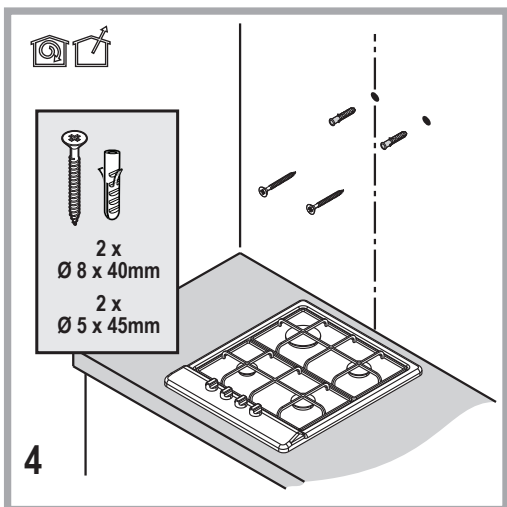
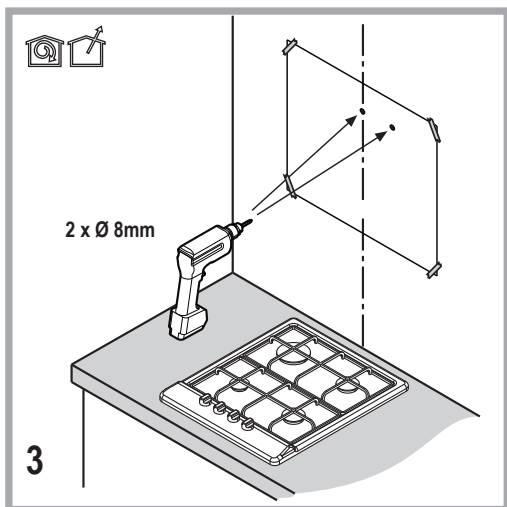
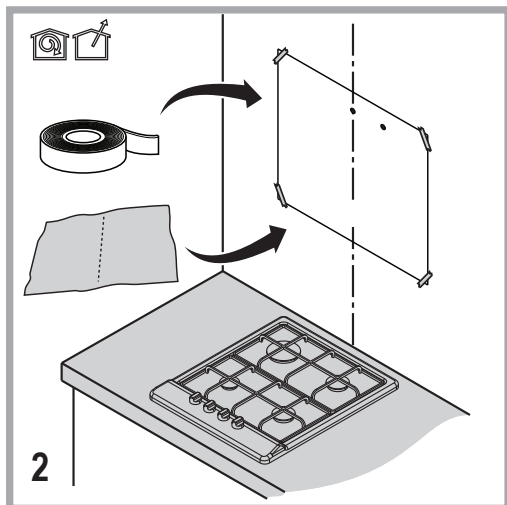
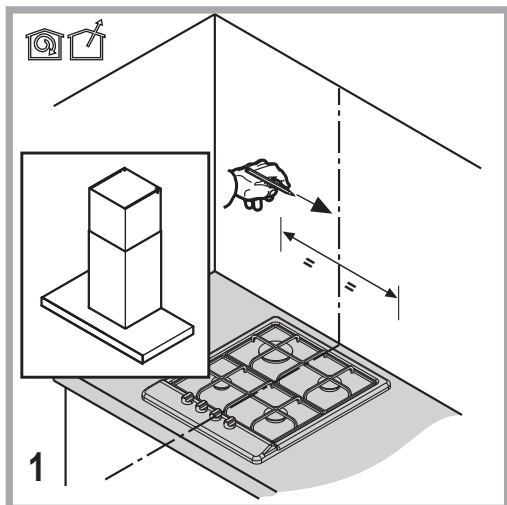
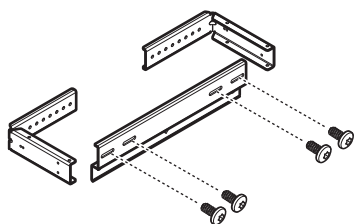
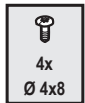
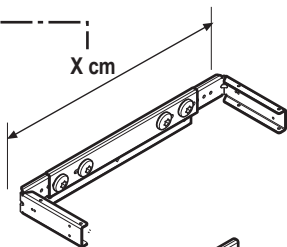
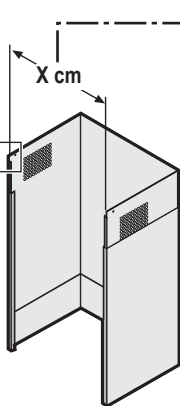
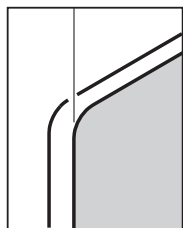
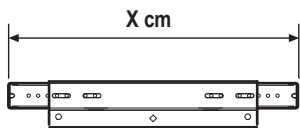


EN Instruction for use
DE Betriebsanleitung
FR Mode d'emploi
NL Gebruiksaanwijzingen
IT Istruzioni per l'uso
ES Instrucciones de uso
PT Instruções de uso
DA Brugsanvisning
FI Käyttöohje
NO Brugsanvisning
SV Bruksanvisning

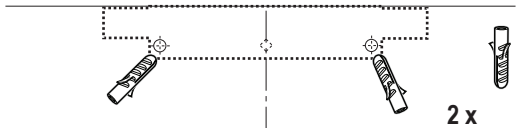
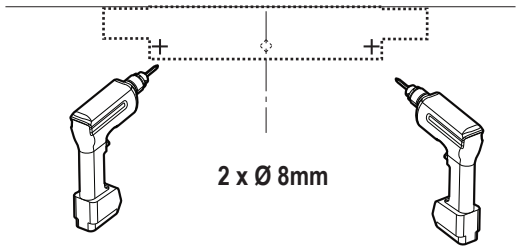
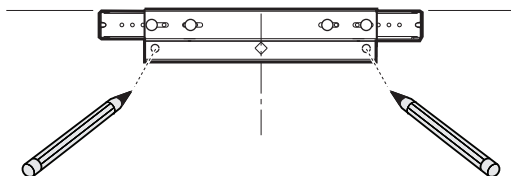
Whirlpool





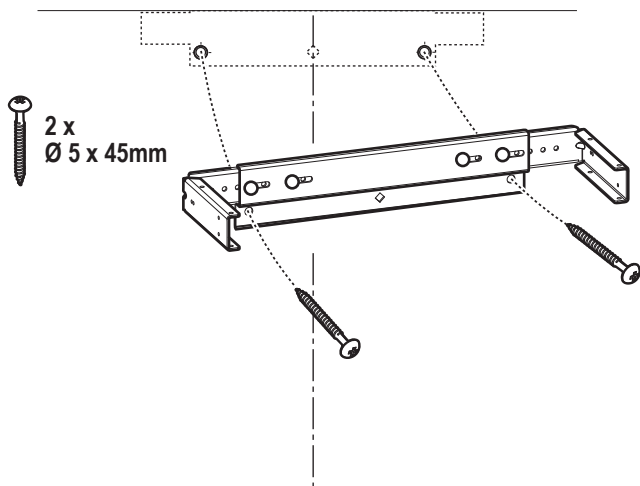


5

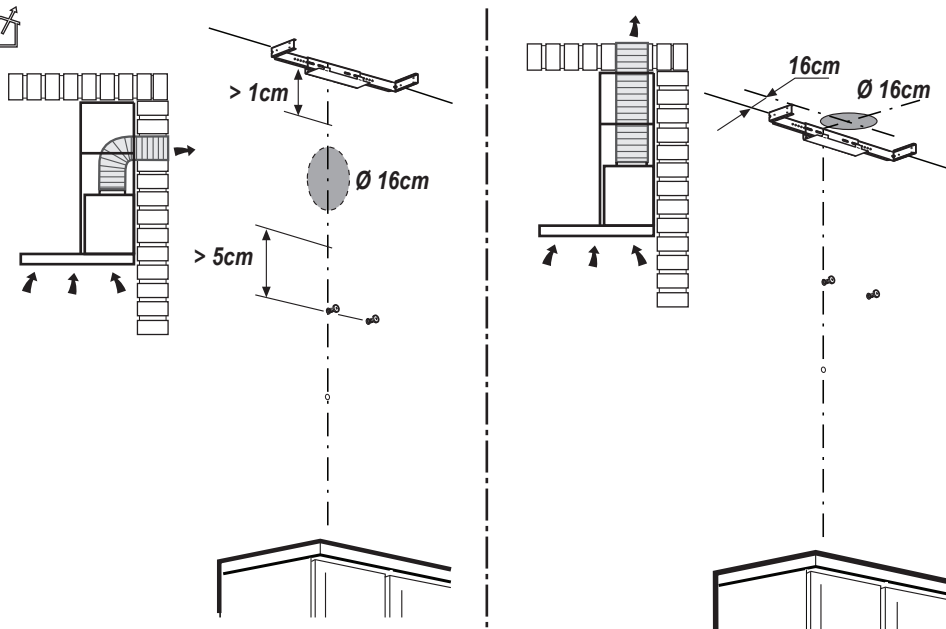


2 x
Ø 8 x 40mm

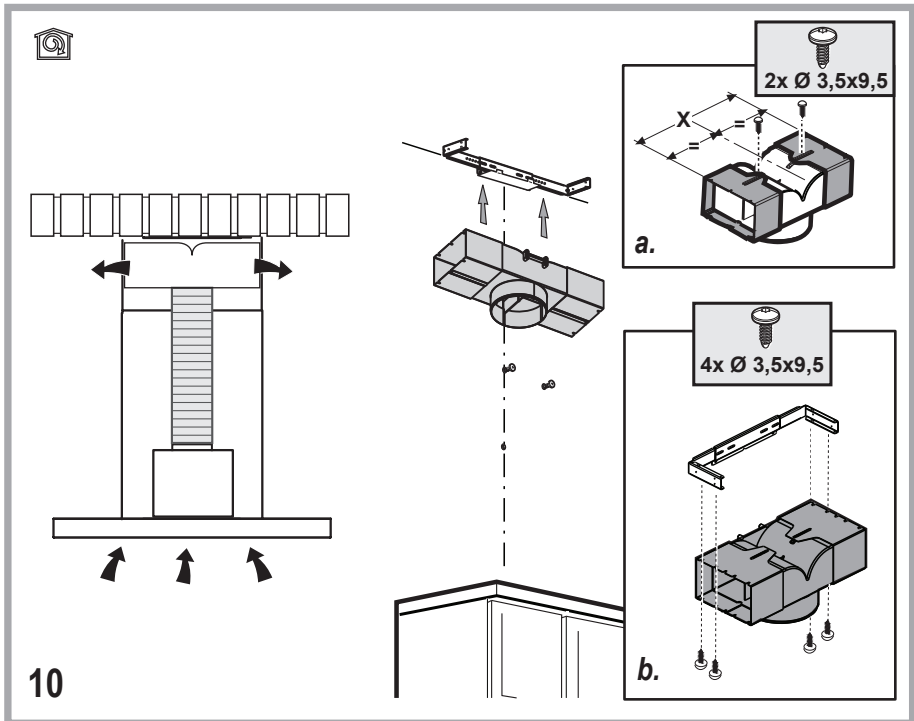
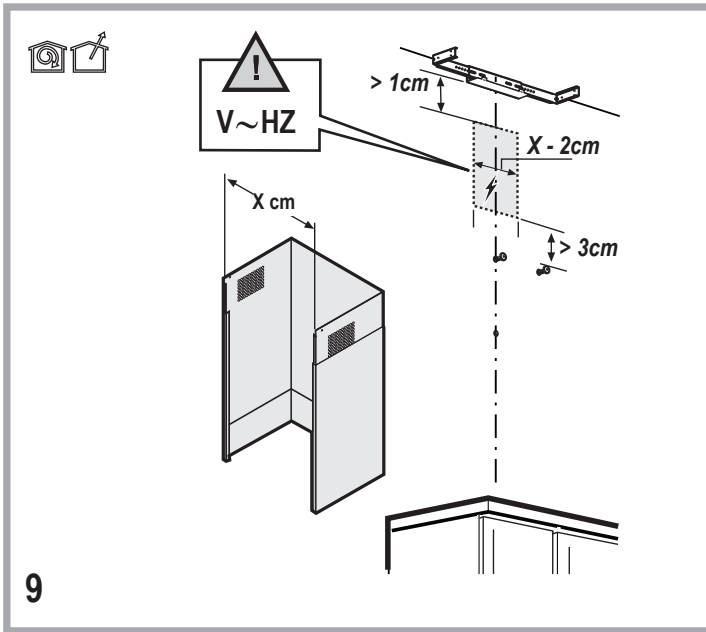
6

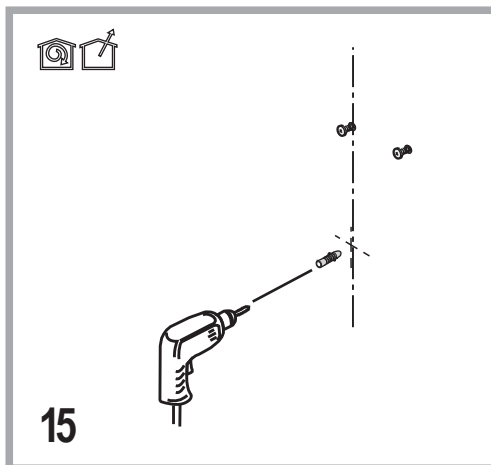
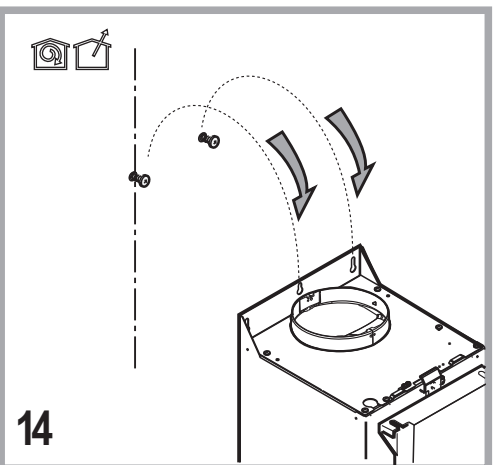
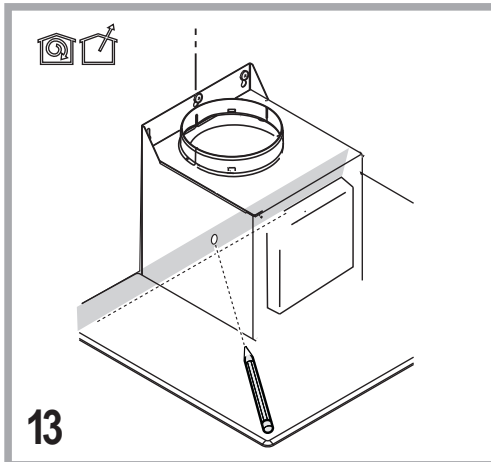
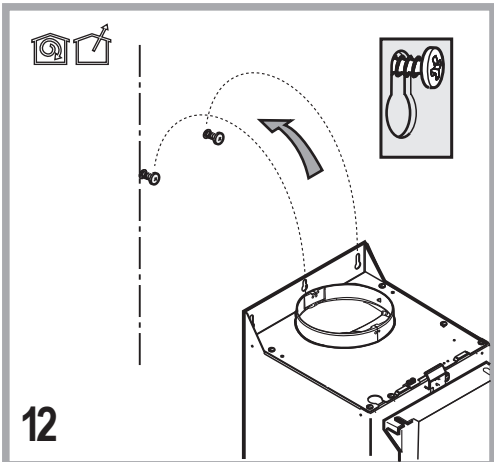
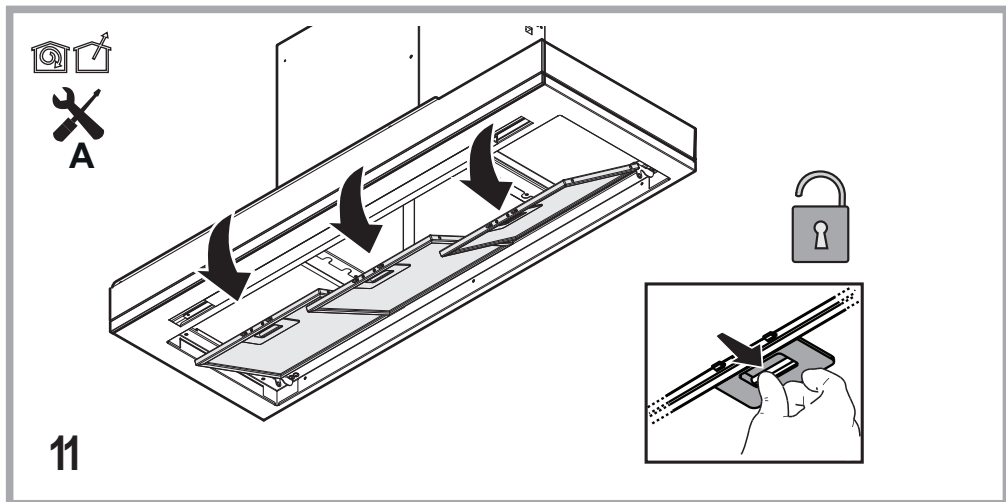


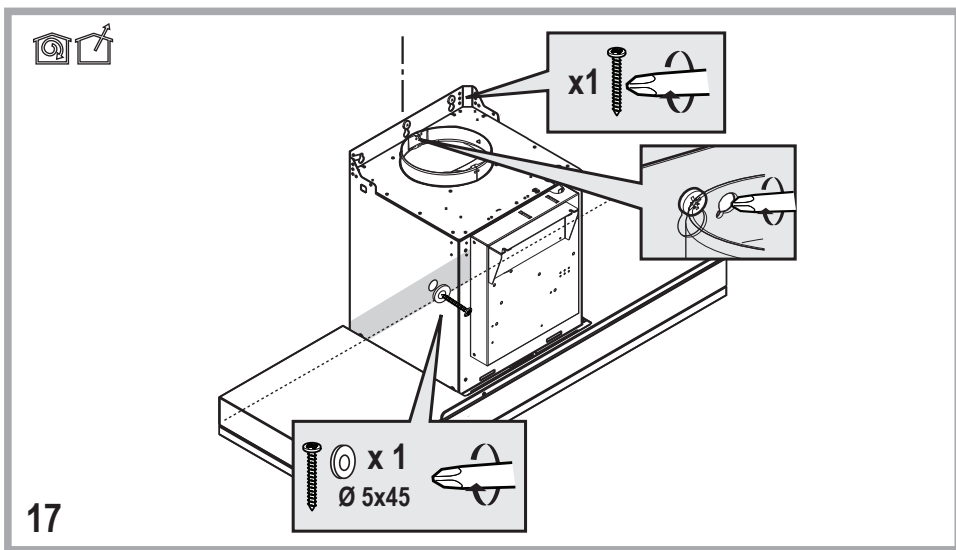
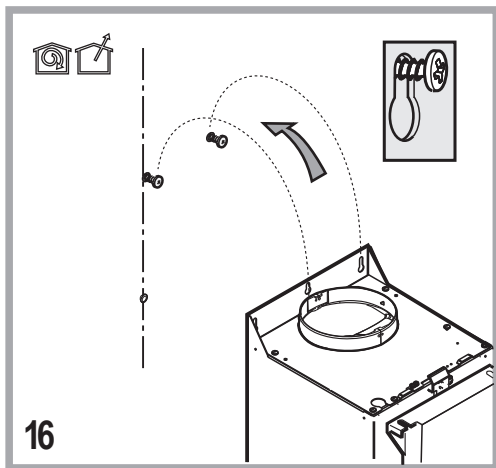
7

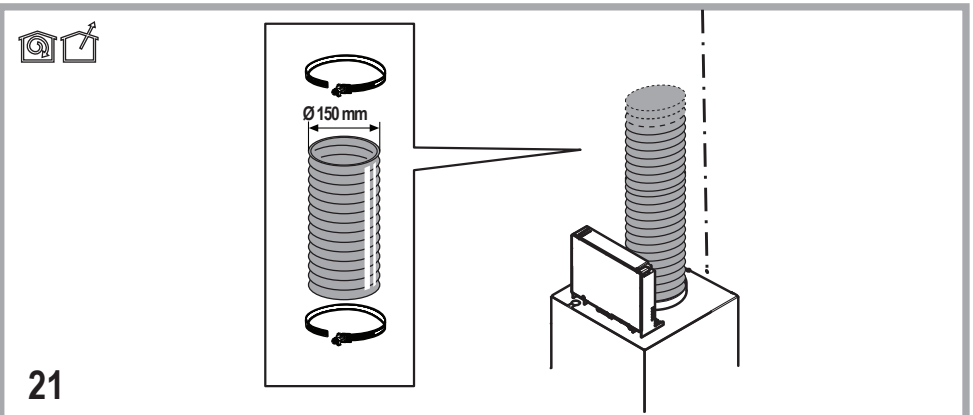
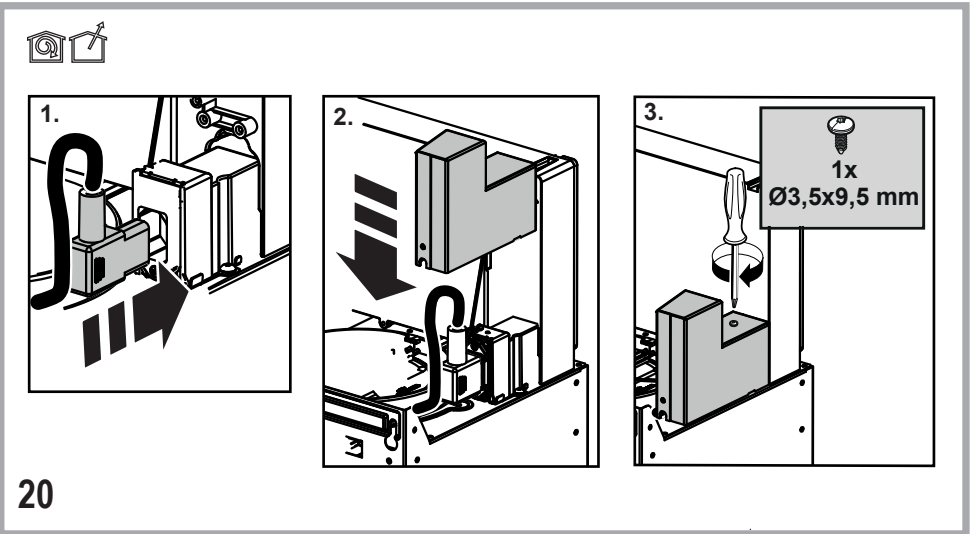
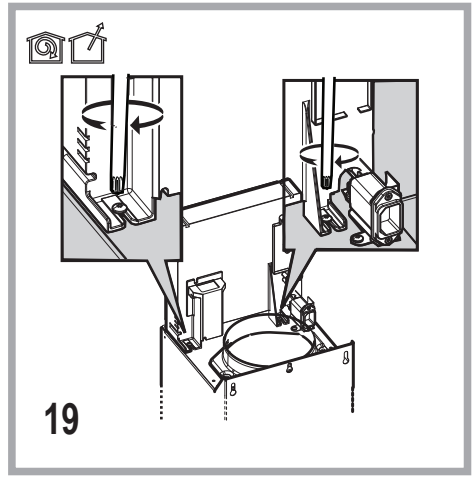
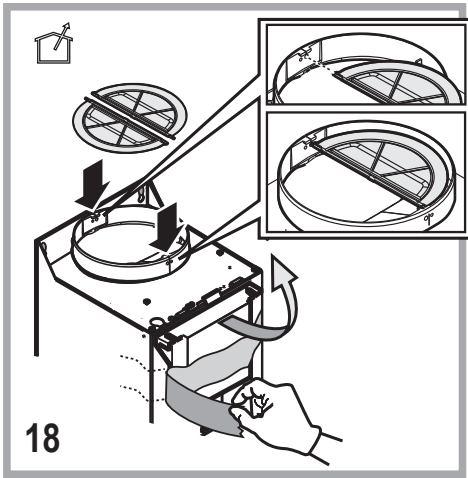


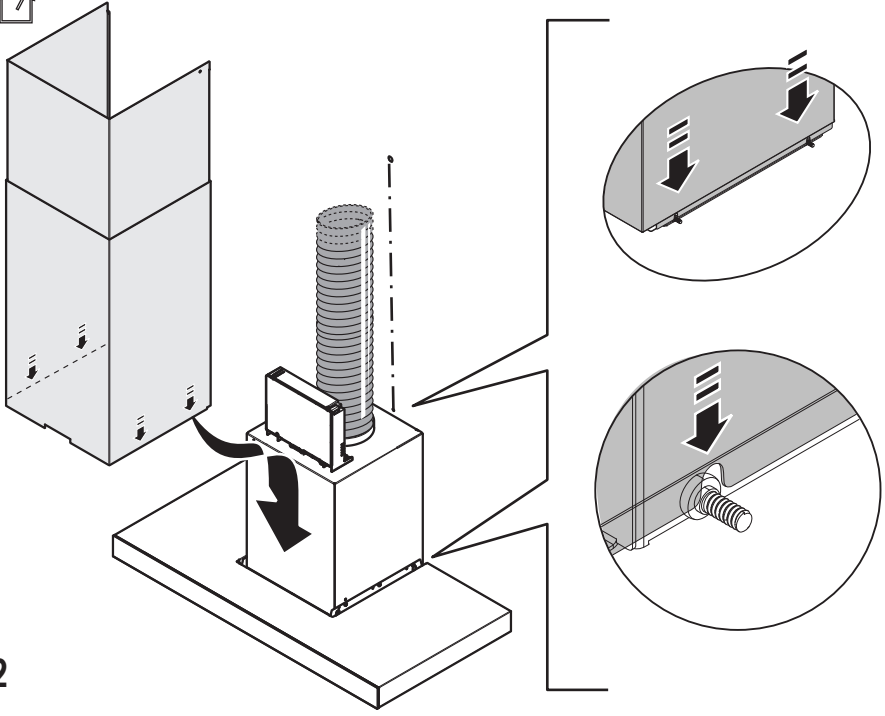
8



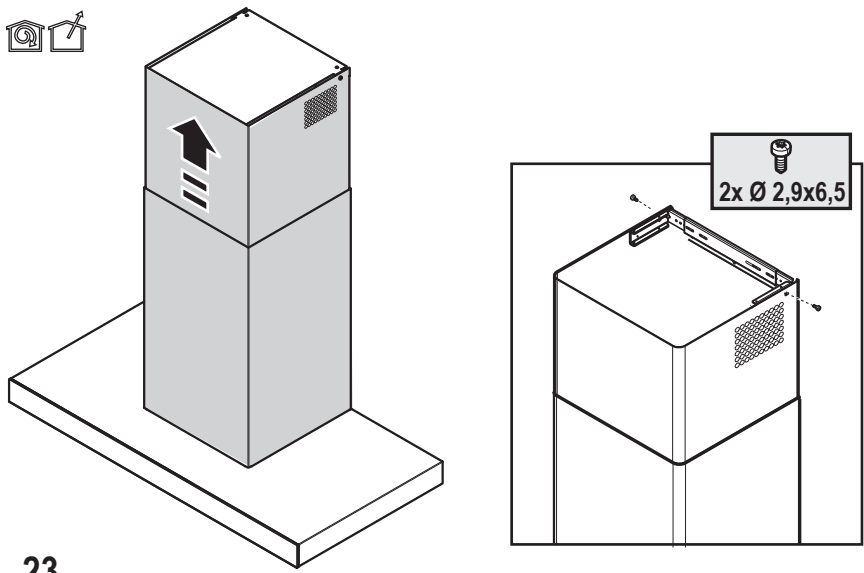








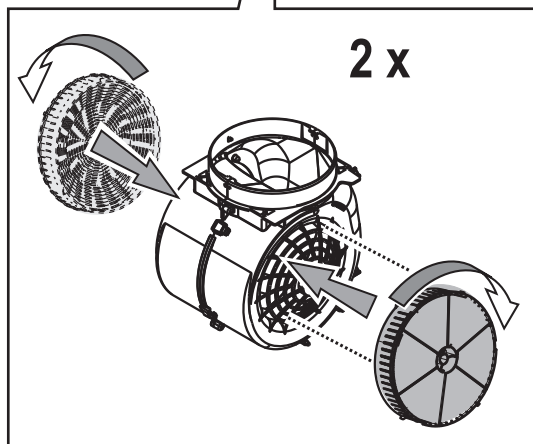
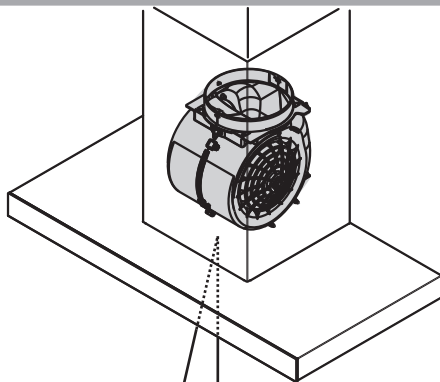
22



23



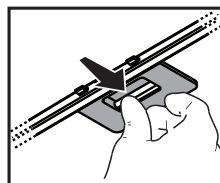
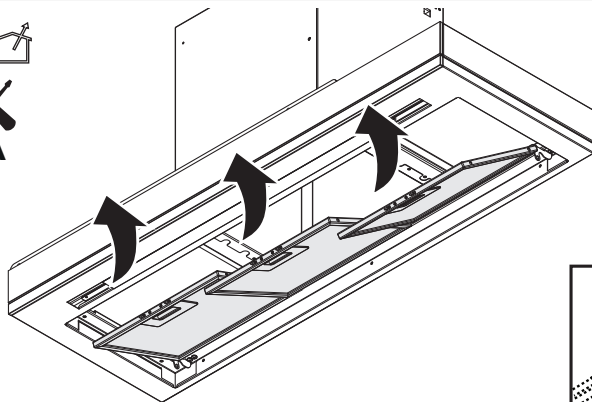
B



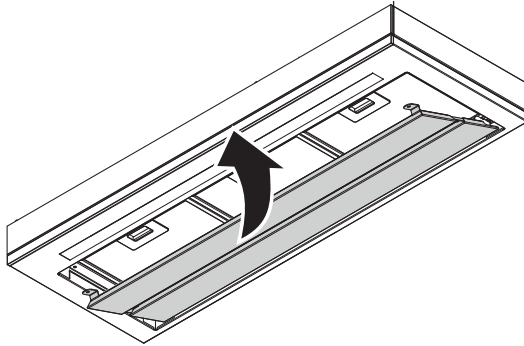
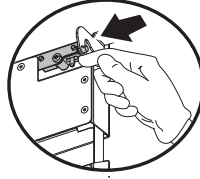
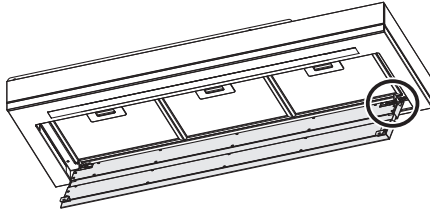
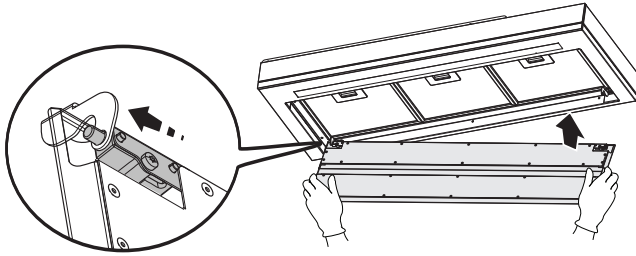
24



A



25



GENERAL SAFETY

•Do not make electrical or mechanical changes on the product or on the exhaust pipes. •Before doing any cleaning or maintenance work, disconnect the product from the mains power supply by removing the plug or turning off the mains switch. •For all installation and maintenance operations, always wear work gloves. •The product can be used by children over the age of 8 and by people with reduced physical, sensory or mental capabilities or without experience or the necessary knowledge, as long as they are properly supervised or have been instructed on how to safely use the device and understand the inherent dangers. •Children must be supervised to make sure that they do not play with the product. •Cleaning and maintenance must never be performed by children unless they are properly supervised. •The room must have sufficient ventilation when the product is used at the same time as other appliances burning gas or other fuels. •The product must be cleaned frequently both inside and out (AT LEAST ONCE A MONTH); always follow the instructions given in the maintenance manual. •Failure to comply with the rules indicated for cleaning the product and replacing/cleaning the filters may result in the risk of fire. •It is strictly forbidden to cook food on the flame under the product. •WARNING: •When the hob is on, the accessible parts of the product may become hot. •Do not connect the product to the electrical power supply until the installation is complete. •The regulations laid down by local authorities must be strictly followed with regard to the technical and safety measures to adopt for fume extraction. •The extracted air must not be conveyed through the same ducts used to extract the fumes generated by gas combustion or other types of combustion products. •Do not use or leave the product without appropriately installed lamps, as this may result in the risk of electric shock. •The product must NEVER be used without the grille correctly fitted. •The product must NEVER be used as a support surface unless expressly indicated.

● Range hoods and other cooking fume extractors may adversely affect the safe operation of appliances burning gas or other fuels (including those in other rooms) due to back flow of combustion gases. These gases can potentially result in carbon monoxide poisoning. After installation of a range hood or other cooking fume extractor, the operation of flued gas appliances should be tested by a competent person to ensure that back flow of combustion gases does not occur.

• Use only the fastening screws supplied with the product for its installation, or if not supplied, purchase the correct type of screws. Use screws of the right length, as indicated in the installation guide.

● **Please note!** Failure to install screws and fasteners in accordance with these instructions may result in electrical hazards.

• To replace the lamp, only use the lamp indicated in the maintenance/lighting system section of this manual. • Using a naked flame may damage the filters and cause a fire hazard, and must therefore be avoided under all circumstances. •

Extra care must be taken when frying to prevent the oil from overheating and catching fire. • In case of doubt, contact the authorised service centre or similar qualified personnel.

Please note! Do not use with a programmer, timer, separate remote control or any other device that activates automatically.

• The minimum distance between the container support surface on the cooker and the lower part of the hood must be at least equal to 50 cm (not less than 65 cm only for Australia and New Zealand) in case of electric cookers and to 65 cm in case of gas or mixed cookers.

If the installation instructions of the gas cooker specify a greater distance, take it into account.

Keep children under the age of 3 away from the appliance. Without the constant supervision of an adult, keep the appliance out of the reach of children under the age of 8.

⚠ ATTENTION: the appliance is not designed to be operated using an external device or a separate remote control system.

⚠ This appliance is not intended for professional use. Do not use the appliance outdoors.


⚠ To avoid the risk of personal injury, the appliance must be handled and installed by two or more people.

⚠ Installation operations, including any water supply connections (if any) and the electrical connections, and repairs must be carried out by qualified personnel.

When installation is complete, keep the packaging material (plastic parts, polystyrene, etc.) out of the reach of children to avoid the risk of suffocation.

Do not use the appliance when barefoot or wet.

Never use steam cleaning appliances - risk of electric shock.

The packaging material is 100% recyclable and is marked by the recycling symbol 

The device may have different aesthetic features with respect to the illustrations in this handbook, however the operating, maintenance and installation instructions remain the same.

Strictly observe the instructions in this manual. All liability is declined for any problems, damage or fires caused by failure to comply with the instructions in this manual. The device is intended for domestic use only, to cook food and extract the fumes generated by cooking. No other use is allowed (e.g. heating rooms). The manufacturer declines any liability for inappropriate use or incorrect control settings.

• Read the instructions carefully: they contain important information on installation, operation and safety.

• Do not make electrical changes to the device.

• Before installing the device, make sure that none of the components are damaged. Otherwise, contact the dealer and do not continue with the installation.

• It is important to keep all the manuals accompanying the product so that they can be consulted at all times. If sold, transferred or moved, make sure it remains with the product.

ELECTRICAL CONNECTION

The mains voltage must correspond to the voltage indicated on the rating plate located inside the hood. If equipped with a plug, connect the hood to a wall socket that complies with current standards located in an area that can be accessed even after installation. If it does not feature a plug (direct connection to the mains) or the plug is not located in an accessible area, even after installation, apply a standard double pole switch that ensures complete disconnection from the mains in category III overvoltage conditions, in accordance with the installation rules.

● **Please note!** Before reconnecting the circuit to the mains power supply, make sure that it is working correctly, always check that the power cable is correctly installed.

Do not use extension cords, power strips or adapters.

Mains voltage and frequency

Refer to the value indicated on the rating plate inside the hood.

Wire connection

: yellow/green

N: blue

L: brown

Replacing the power cable

The hood features a special power cable; if the cable is damaged, contact the Service Centre for a replacement.

AIR OUTLET

(for suction versions)

Connect the hood to wall-mounted exhaust pipes and holes with a diameter equivalent to the air outlet (connecting flange).

The use of pipes and outlet holes in the wall with a smaller diameter will reduce the extraction performance and drastically increase the noise level.

All responsibility in this regard is therefore denied.

! Use a ducting pipe with the shortest length necessary.

! Use a ducting pipe with the least number of bends possible (maximum bend angle: 90°).

! Avoid drastic changes in the ducting pipe diameter.

! The company shall not be held responsible if these regulations are not complied with.

FILTRATION OR SUCTION?

! Your hood is read to be used in the suction version.

To use the hood in the filtration version, the special ACCESSORY KIT must be installed.

Check, on the first pages of this manual, whether the ACCESSORY KIT is already supplied or needs to be purchased separately.

Note: If supplied, in some cases, the additional activated carbon filtering system may already be installed on the hood.

Information on how to convert the hood from the suction version to the filtration version is already contained in this manual.

Extraction version

Vapours are evacuated outside through an exhaust pipe attached to the connecting flange.

ATTENTION

The evacuation pipe is not supplied and must be purchased.

The diameter of the exhaust pipe must be equivalent to the diameter of the connecting ring.

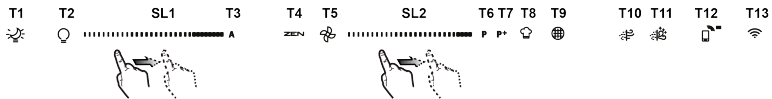
If the hood features one or more carbon filters, they must be removed.

Filtration version

The suctioned air will be degreased and deodorised before it is sent back into the room. To use the hood in this version, it is necessary to install an additional activated carbon filter system.

CONTROLS

The hood is equipped with a control panel with a suction speed control and a light control to light up the hob.



- T1. "Night Light" ON/OFF
- T2. Hob lights ON/OFF – Colour temperature selection
- T3. "Autolight" operation
- T4. "ZEN Mode" operation
- T5. Motor ON/OFF
- T6. "POWER BOOST 1" operation
- T7. "POWER BOOST 2" operation
- T8. "COOKSENSE" automatic operation
- T9. Filter saturation indicator
- T10. "Breath Daily Cycle" operating mode ON/OFF
- T11. "Breath Intensive Cycle" operating mode ON/OFF
- T12. WI-FI function active light indicator
- T13. WI-FI connection

T1. "NIGHT LIGHT" ON/OFF

Press to switch the soft ambient lighting on/off.

T2. HOB LIGHTS ON/OFF – COLOUR TEMPERATURE SELECTION

Press to switch the hob lighting on/off

- With the lights on, touch the **SL1** LED strip with your fingers to the right or left respectively to increase or decrease the light intensity.

Press again (long press) to set the lighting colour temperature.

- Touch the **SL1** LED strip with your fingers to the right or left to set a colder or warmer light colour. If there are no colour changes for 5 seconds, **SL1** flashes at the set colour level and a beep indicates that the system has saved the configuration.

Note: the light switches to the last set colour before switch-off.

T3. "AUTOLIGHT" OPERATION

Press to activate/deactivate the "Autolight" automatic lighting function.

Note: The function is activated only when the extraction hood is connected to the hob via Wi-Fi. Once the function is activated, the hob light will be controlled automatically depending on the status of the connected hob.

T4. "ZEN MODE" OPERATION

Press to activate/deactivate "ZEN" extraction mode.

This function activates an extraction speed that is the best compromise between silence and extraction efficiency.

T5. MOTOR ON/OFF

Press to switch the extraction motor on/off.

- With the motor on, touch the **SL2** LED strip with your fingers to the right or left respectively to increase or decrease the extraction speed (power).

T6. "POWER BOOST 1" OPERATION

With the extraction motor on, press T6 to activate the intensive extraction speed (power) "POWER BOOST 1" (timed).

Note: After 5 minutes the extraction hood will continue to operate at the previously set speed

T7. "POWER BOOST 2" OPERATION

With the extraction motor on, press T7 to activate the intensive extraction speed (power) "POWER BOOST 2" (timed).

Note: After 5 minutes the extraction hood will continue to operate at the previously set speed.

T8. "COOKSENSE" AUTOMATIC OPERATION

The hood automatically sets extraction speed (power) **1** and then increases it if the environmental conditions detected by the hood sensor require it.

If there is no change in the environmental conditions, after 5 minutes (if the hood is already at extraction speed (power) **1**), the hood switches off.

Note: for the correct use of this function, adjust the relative parameters first (see the paragraph "Adjusting the parameters for automatic operation").

Note: during automatic operation, if the user uses other functions that adjust the speed, the auto ventilation function is deactivated.

T9. FILTER SATURATION INDICATOR

At regular intervals, the hood signals the need to perform maintenance on the filters.

Note: the indicators are activated when the hood is on.

Key **T9** on: the grease filter requires maintenance.

Key **T9** flashing: the activated carbon filter requires maintenance.

Reset filter saturation indicator:

Note: this operation must be performed with the hood on.

Press and hold **T9**; the light goes out, indicating that the reset was successful.

Activation of the activated carbon filter saturation indicator.

Note: this operation must be performed with the extraction motor off.

This indicator is normally deactivated; it must be activated if the hood is installed in the filter version, i.e. in the presence of activated carbon filters.

Simultaneously press and hold keys **T1** and **T10** to activate the function: the keys will light up, indicating activation.

To deactivate the function, press and hold the same keys (**T1** and **T10**) again: the keys will flash briefly, then go out, indicating deactivation.

T10. "BREATH DAILY CYCLE" OPERATING MODE ON/OFF

The hood automatically sets extraction speed (power) **1** and then increases it if the environmental conditions detected by the hood sensor require it.

If the extraction speed is not changed, depending on the environmental conditions detected, the hood switches off after 2 hours.

In any case, after 5 hours the hood is switched off forcefully.

Note: for the correct use of this function, adjust the relative parameters first (see the paragraph "Adjusting the parameters for automatic operation").

T11. "BREATH INTENSIVE CYCLE" OPERATING MODE ON/OFF

The hood automatically sets extraction speed (power) **5** and then increases it if the environmental conditions detected by the hood sensor require it.

If the extraction speed is not changed, depending on the environmental conditions detected, the hood switches off after 2 hours.

In any case, after 5 hours the hood is switched off forcefully.

Note: for the correct use of this function, adjust the relative parameters first (see the paragraph "Adjusting the parameters for automatic operation").

T12. WI-FI FUNCTION ACTIVE LIGHT INDICATOR

The indicator lights up when the hood is controlled remotely via App.

T13. WI-FI CONNECTION

Press to activate/deactivate the Wi-Fi functions.

This function allows the product to be connected to the Internet and remotely monitor/control the hood via a Smartphone or Tablet.

To use the Wi-Fi function, the device must be connected to the home wireless network (internet) according to the configuration procedure described in the "WI-FI MANUAL" instructions.

ADJUSTING THE PARAMETERS FOR AUTOMATIC OPERATION

For the correct use of automatic operation, perform "Hood calibration" and "Hob selection".

Hood calibration

Note: this operation must be performed in standby mode, i.e. 1 minute after the motor has been switched off Press key **T4** for 5 seconds.

Extraction speed (power) **1** starts and key **T4** flashes, indicating that hood calibration has started and will last for about 5 minutes.

Note: to interrupt calibration, press **T4** for 5 seconds; the calibration will be invalidated and must be repeated.

Note: when the product is powered up for the first time, calibration is performed automatically: **T4** flashing; wait 5 minutes

for calibration to end.

Hob selection

Note: this operation must be performed in standby mode, i.e. 1 minute after the motor has been switched off Press key **T10+T11** for 5 seconds.

Keys **T10** and **T11** light up.

Press key **T10** in the case of a gas hob - the key flashes, indicating successful selection.

Press key **T11** in the case of an electric hob - the key flashes, indicating successful selection.

The pressed key will flash for 3 seconds, indicating that the selection has been saved.

INSTRUCTIONS FOR WI-FI CONNECTION

REMOTE CONTROL/“Whirlpool 6th Sense Live” APP CONFIGURATION PROCEDURE

The **Whirlpool 6th Sense Live App** allows you to operate and control the appliance remotely using an external device. To enable the appliance for remote control, it is necessary to perform the connectivity configuration procedure. This procedure is necessary to register the appliance and connect it to the home network. The configuration procedure only needs to be performed once. It will be necessary to perform it again only if the router properties change (network name, password or data provider).

1.1 BEFORE STARTING THE CONFIGURATION PROCEDURE

1. To perform the procedure, you will need: A Smartphone or Tablet with Android 7.0 (or higher) operating system, or an Ipad or iPhone with IOS 11 (or higher) operating system; • a Wi-Fi router b/g/n 2.4 Ghz connected to the Internet (check with your Smartphone or Tablet that the signal strength of your home wireless network is good in the place where the appliance is installed).
2. Download and install the free Whirlpool 6th Sense Live App on your Android Smartphone or Tablet or on your iPad/ iPhone from the online store. The App will provide all the necessary instructions for the installation procedure. If you do not have an account yet, create one and register for the service (by signing up to the legal terms) in order to be able to use all the features available in the App.
3. Register your appliance by following the instructions provided by the App. For the registration procedure, the SAID (Smart Appliance Identifier) code, indicated on the appliance's label, will be required. The SAID code is a combination of numbers and letters (10 characters). Write down the SAID code of your appliance here:

SAID

1.2 BEFORE STARTING THE CONFIGURATION PROCEDURE

- Before starting the installation, switch on the router and check that the wireless signal from your home network reaches the appliance. To check the strength of the Wi-Fi signal, use a Tablet or Smartphone connected only to the Wi-Fi router, disable all other connections and bring the device near the appliance. Open any Internet page in a browser and check that it loads quickly and correctly. If the home Internet connection works properly but the page does not load, it may be necessary to install a Wi-Fi extension device (not included with the appliance).
- If the router supports WPS 2.0 (or later versions), follow the automatic configuration procedure to connect the appliance to the router. If the router does not support WPS, follow the manual configuration procedure.

Follow the instructions of the Whirlpool 6th Sense Live App, which appear on your Tablet or Smartphone, to connect the appliance to your Wi-Fi network.

Or, perform one of the automatic or manual connection procedures described in the following paragraphs.

1.2.1 INSTRUCTIONS FOR AUTOMATIC CONFIGURATION (FIRST USE)– WPS METHOD

This procedure can be used only if the router supports WPS 2.0 (or later versions).

1. On the appliance, activate the recognition process by pressing the connectivity key for three seconds (a beep will confirm the activation). The appliance is set to "search" mode and will search for a local network. The connectivity icon on the appliance will start flashing rapidly.
2. On the wireless router, press the WPS key to establish a connection between the two products. A light on the router will start flashing.
3. When the appliance connects to the local router, the Wi-Fi icon starts flashing more slowly (this feature is not supported on all devices).
4. The device will try to connect to the backend system. The connectivity icon remains continuously lit. If the Wi-Fi icon doesn't stop flashing after a few minutes, this means the device was not able to make a connection with the home network through WPS. Try repeating the procedure, and if it is unsuccessful, use the manual configuration procedure.
5. The connection procedure to the Wi-Fi network can be interrupted by pressing the connectivity key.

1.3 DEACTIVATION / ACTIVATION OF WI-FI CONNECTIVITY

To deactivate the connection of the appliance to the Wi-Fi network, press the connectivity key for 5 seconds (a beep will confirm the deactivation). The Wi-Fi icon on the display of the appliance should turn off.

To reactivate the Wi-Fi connection of the appliance, press the Wi-Fi key on the product.

Once the connection has been configured, it can be deactivated and the appliance can be disconnected from the Wi-Fi network by pressing the connectivity key for 10 seconds (two beeps will confirm the deactivation, the first one after 5 seconds and the second one after 10 seconds).

The Wi-Fi icon on the display of the appliance should turn off.

To reconnect the appliance to the home Wi-Fi network, follow the procedure described in the "Preparing for configuration" section.

1.4 INSTRUCTIONS FOR MANUAL CONFIGURATION (FIRST USE) - MICRO ACCESS POINT METHOD

This procedure uses Micro Access Point technology and can be used with routers that do not support WPS.

1. Before starting the configuration procedure, note the name (SSID) and password of the home wireless network and the SAID code of the device. This information will be needed during the installation procedure.
2. Turn the router on, check that the internet connection is active and connect your smartphone/tablet to your Wi-Fi network.
3. On the device, activate the recognition process by pressing the connectivity key for 5 seconds (two acoustic signals will be emitted as confirmation, the first after 3 seconds, the second after 5 seconds) • the Wi-Fi network icon should start flashing on the device's interface.
4. Scan the QR code on the label affixed to the appliance; at this point, the Whirlpool 6th Sense Live App will provide detailed instructions to perform the procedure. Note: In some cases, the App may ask you to specify the type of appliance: in this case, select Hood.
5. Once the connection has been made, the Wi-Fi icon on the device should stop flashing and remain continuously lit. If not, disconnect and then reconnect the device to the mains power and repeat the procedure.
6. The configuration procedure is complete.

1.5 REMOTE CONTROL / DAILY USE

This function is only implemented on certain types of appliance.

1. Make sure that the router is switched on and connected to the Internet.
2. Make sure that the Wi-Fi connection status light on the product's display is lit steadily.
3. The **Whirlpool 6th Sense Live App** allows for the appliance to be controlled remotely; in particular, it makes it possible to:
 - control the appliance and activate various options even when you are not at home;
 - access additional functions, such as Smart Energy mode;
 - optimise energy consumption, for example by taking advantage of the most convenient time slots;
 - access further information on the use of the appliance;
 - check the status of the appliance and any maintenance requirements (e.g. filter change);

- Synchronise the hood with the compatible pyrolytic oven and hob, allowing the appliance to switch on fully automatically.

1.6 QUICK IDENTIFICATION OF THE APPLIANCE'S CONNECTION STATUS

If the Wi-Fi connection status light on the appliance's display flashes quickly, it means that the appliance is trying to connect to the router. If, on the other hand, it flashes slowly, it means that the appliance is connected to the router but is not able to connect to the Internet (e.g. because the ADSL network is not working); some types of appliance do not support flashing at different speeds.

If the light is lit steadily, it means that the appliance is connected to the Internet and to the Whirlpool cloud system.

1.7 FREQUENTLY ASKED QUESTIONS ABOUT THE WI-FI CONNECTION

Which Wi-Fi protocols are supported?

The installed Wi-Fi adapter supports Wi-Fi b/g/n connectivity for European countries.

Which settings need to be configured in the router software?

The following settings are required for the router: 2.4 GHz enabled, WiFi b/g/n, DHCP and NAT activated.

Which WPS version is supported?

WPS 2.0 or later versions. See the router documentation.

Is there any difference between Android and iOS Smartphones (or Tablets)?

There is no difference; either operating system can be used.

Is it possible to use tethering via a mobile phone connection instead of a router?

Yes, but the cloud services are designed for devices with a permanent connection.

How can I check that my home Internet connection is working and that wireless functionality is enabled?

You can search for your smart device in the network. Before trying, disable all other data connections.

How can I check that the appliance is connected to my home Wi-Fi network?

Access the router configuration (see the router manual) and check that the MAC address of the appliance is present in the list of connected wireless devices.

Where can I find the appliance's MAC address?

Directly on the appliance:

look for the label containing the SAID and MAC addresses.

The MAC address consists of a combination of numbers and letters starting with "88:e7".

How can I check whether the wireless functionality of the appliance is enabled?

Using the Smartphone or Tablet, check in the Whirlpool 6th Sense Live App that the appliance's network is visible and connected to the cloud.

What might prevent the signal from reaching the appliance?

Check that the connected devices do not occupy the available bandwidth completely.

Check that the number of devices enabled for Wi-Fi connection does not exceed the maximum limit supported by the router.

How far should the router be from the appliance?

Usually, the Wi-Fi signal has enough strength to cover a couple of rooms, but the actual range depends largely on the materials the walls are made of. The signal strength can be checked by placing your Smartphone or Tablet near the appliance.

What can I do if the wireless connection does not reach the appliance?

Specific devices can be used to extend the coverage of your home Wi-Fi network, for example access points, Wi-Fi repeaters and Power-line bridges (not included with the appliance).

Where can I find the name and password for the wireless network?

See the router documentation. Usually, there is a label on the router containing the information required to access the configuration page using a connected device.

What can I do if the router uses my neighbour's Wi-Fi channel?

Force the router to use the home Wi-Fi channel.

What can I do if the connection status light keeps flashing slowly and does not remain lit steadily, or if a stable connection with the home router cannot be established?

It is possible that the appliance connects to the router but is not able to access the Internet. To connect the appliance to the Internet, check the router and/or line settings.

Router settings: NAT must be active, Firewall and DHCP must be configured correctly. Encryption types supported for passwords: WEP, WPA, WPA2. If you want to use a different type of encryption, see the router manual.

Line settings: if the Internet service provider has set the number of MAC addresses that can connect to the Internet, you may not be able to connect the appliance to the cloud.

The MAC address is a unique identifier and it is different for each device. You will have to ask your provider about the procedure to follow to connect devices other than computers to the Internet.

How can I check if data is being transmitted?

After configuring the network, switch the appliance off, wait 20 seconds and switch it on again: check that the App shows the status of the user interface of the appliance.

Some settings take several seconds to appear in the App.

Can the Whirlpool 6th account be changed while keeping the appliances connected?

It is possible to create a new account, but it is necessary to revoke the association of your appliances with the old account before associating them with the new one.

What do I need to do if I change my router?

It is possible to keep the same configuration parameters (network name and password) or delete the previous settings from the appliance and repeat the configuration procedure.

MAINTENANCE

- **Cleaning:** For cleaning, simply use a cloth moistened with neutral liquid detergents. Do not use cleaning tools or instruments.

- **✂A Anti-Grease Filter:** It must be cleaned once a month (or when the filter saturation indication system - if any - indicates the need for it), with non-aggressive detergents, either by hand or in a dishwasher at a low temperature and on a short cycle.

When cleaned in the dishwasher, the metal grease filter may discolour, but its filtering characteristics remain unchanged.

- The Anti-Grease Filter traps the grease particles produced during cooking. When cleaned in the dishwasher, the metal grease filter may discolour, but its filtering characteristics remain unchanged.

- **✂B Carbon filter (for filter version only):** The cartridge must be replaced at least every four months. It CANNOT be washed or regenerated. As indicated in the drawings section: remove the anti-grease filters, apply a carbon filter on each side and attach it to the product. Put the anti-grease filters back in place.

Illumination

- The lighting system is based on LED technology. LEDs provide optimal illumination, last up to 10 times longer than conventional lamps and save 90% of electricity.

- **Lighting system :** The lighting system cannot be replaced by the user, contact Customer Service in case of malfunction.

END-OF-LIFE DISPOSAL



This device is marked in compliance with the European Directive 2012/19/EC - UK SI 2013 No.3113, Waste Electrical and Electronic Equipment (WEEE).

Make sure that this product is disposed of correctly. The user helps prevent potential negative consequences for the environment and for health. The symbol on the product or accompanying documentation indicates that this product should not be treated as household waste but should be handed over at a suitable collection point for the recycling of electrical and electronic equipment. Dispose of it in accordance with local regulations for waste disposal. For further information about the treatment, recovery and recycling of this product, please contact your local authority, the collection service for household waste or the shop from where the product was purchased.



The packaging material is 100% recyclable and is marked by the recycling symbol

REGULATIONS

Equipment designed, tested and manufactured in compliance with safety regulations: EN/IEC 60335-1; EN/IEC 60335-2-31, EN/IEC 62233. Performance: EN/IEC 61591; ISO 5167-1; ISO 5167-3; ISO 5168; EN/IEC 60704-1; EN/IEC 60704-2-13; EN/IEC 60704-3; ISO 3741; EN 50564; IEC 62301. EMC: EN 55014-1; CISPR 14-1; EN 55014-2; CISPR 14-2; EN/IEC 61000-3-2; EN/IEC 61000-3-3.

OPERATING ERRORS

If something does not seem to be working, perform the following simple checks before contacting the Service Centre:

- If the hood is not working:

Check that:

-There is no power failure

-A speed has been selected

- If the hood has poor performance:

Check that:

-The selected motor speed is sufficient for the amount of fumes and steam released.

-The kitchen is sufficiently ventilated to allow an air intake.

-The carbon filter is not worn out (hood in filtration version).

- If the hood has switched off during normal operation:

Check that:

-There is no power failure.

-The safety cut-off device has not tripped.

In the event of any malfunctions, disconnect the appliance from the electrical power supply for at least 5 seconds by unplugging it and then reconnect it, before contacting the Service Centre. If the malfunction persists, contact the Service Centre.

TECHNICAL SPECIFICATIONS

Height (cm)	Width (cm)	Depth (cm)	Ø of the exhaust pipe (cm)
110-129,5	89,8	32	15

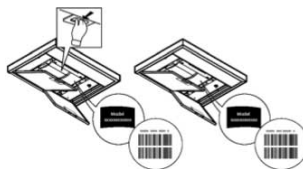


Components not supplied with product



To download the safety instructions, user manual, technical data sheet and energy data:

- Visit the website docs.whirlpool.eu
- Use the QR code
- Alternatively, **contact Customer Service** (using the phone number indicated on the warranty booklet). When contacting Customer Service, communicate the codes on the product rating plate.



ALLGEMEINE SICHERHEIT

- Nehmen Sie keine elektrischen oder mechanischen Änderungen am Produkt oder an den Abluftrohren vor. •Trennen Sie das Produkt vor jeder Reinigung oder Wartung von der Stromversorgung, indem Sie den Stecker ziehen oder den Hauptschalter der Wohnung betätigen. •Verwenden Sie bei allen Installations- und Wartungsarbeiten Arbeitshandschuhe. • Das Produkt darf von Kindern ab dem Alter von 8 Jahren und von Personen mit eingeschränkten körperlichen, sensorischen oder geistigen Fähigkeiten oder ohne Erfahrung oder notwendige Kenntnisse benutzt werden, wenn sie beaufsichtigt werden oder vorher Anweisungen zur sicheren Verwendung des Produkts und zum Verständnis der damit verbundenen Gefahren erhalten haben. • Kinder müssen beaufsichtigt werden, um sicherzustellen, dass sie nicht mit dem Produkt spielen. • Die Reinigung und Wartung darf nicht von Kindern ohne Aufsicht ausgeführt werden.
- Der Raum muss über eine ausreichende Belüftung verfügen, wenn das Produkt gleichzeitig mit anderen Geräten, die Gas oder andere Brennstoffe verbrennen, verwendet wird. •Das Produkt muss regelmäßig (MINDESTENS EINMAL PRO MONAT) innen und außen gereinigt werden; beachten Sie in jedem Fall die Wartungsanweisungen. •Wenn Sie das Produkt nicht reinigen und die Filter nicht austauschen / reinigen, kann dies zu Brandgefahr führen. • Es ist strengstens untersagt, unter dem Produkt zu flambieren. • **ACHTUNG:** Wenn das Kochfeld in Betrieb ist, können zugängliche Teile des Produkts heiß werden. • Schließen Sie das Produkt erst dann an das Stromnetz an, wenn die Installation vollständig abgeschlossen ist. • Hinsichtlich der technischen und sicherheitstechnischen Maßnahmen zur Ableitung der Dämpfe sind die Vorschriften der zuständigen örtlichen Behörden strikt einzuhalten. • Die angesaugte Luft darf nicht in einen Kanal geleitet werden, der für die Abführung der Rauchgase von Geräten, die mit Gas oder anderen Brennstoffen betrieben werden, verwendet wird. • Verwenden Sie das Produkt nicht ohne ordnungsgemäß montierte Lampen, da Stromschlaggefahr besteht. • Das Produkt darf NIEMALS ohne korrekt montiertes Gitter verwendet werden. • Das Produkt darf NIEMALS als Auflagefläche verwendet werden, es sei denn, dies ist ausdrücklich angegeben.
- Verwenden Sie für die Installation nur die mit dem Produkt gelieferten Befestigungsschrauben oder, falls diese nicht enthalten sind, erwerben Sie den korrekten Schraubentyp. Verwenden Sie die korrekte Länge für die Schrauben, die in der Installationsanleitung angegeben sind.
- **Achtung!** Wenn die Schrauben und die Befestigungsvorrichtungen nicht gemäß diesen Anleitungen installiert werden, kann es zu elektrischen Risiken kommen.
- Verwenden Sie für den Austausch der Lampe nur den im Abschnitt Wartung/ Beleuchtungssystem dieses Handbuchs angegebenen Lampentyp. • Der Einsatz der freien Flamme ist für die Filter schädlich und kann zu Bränden führen, es

muss daher in jedem Fall vermieden werden. • Das Frittieren muss unter Kontrolle durchgeführt werden, um zu verhindern, dass sich überhitztes Öl entzündet. • Wenden Sie sich im Zweifelsfall an ein autorisiertes Kundendienstzentrum oder an ähnlich qualifiziertes Personal.

Achtung! Nicht mit getrenntem Programmierer, Timer, Fernbedienung oder jeglicher anderer Vorrichtung, die sich automatisch aktiviert, verwenden.

• Der Mindestabstand zwischen der Auflageflächen der Behälter am Kochkherd und dem untersten Teil der Dunstabzugshaube muss mindestens 50 cm im Falle von Elektroherden und 65 cm bei Gas- oder gemischten Herden betragen.

Wenn in der Installationsanleitung des Gasherdes ein größerer Abstand angegeben ist, muss dieser berücksichtigt werden.

Halten Sie Kinder unter 3 Jahren fern vom Gerät. Ohne die ständige Aufsicht eines Erwachsenen Kinder unter 8 Jahren nicht in Reichweite des Geräts lassen.

⚠ ACHTUNG: Das Gerät ist nicht dafür vorgesehen, über eine externe Vorrichtung oder ein separates Fernbedienungssystem betrieben zu werden.

⚠ Dieses Gerät ist nicht für den professionellen Gebrauch bestimmt. Das Gerät nicht im Freien benutzen.


⚠ Um die Gefahr von Verletzungen zu vermeiden, muss das Gerät von zwei oder mehr Personen gehandhabt und installiert werden.

⚠ Die Installation, einschließlich der Wasseranschlüsse (falls vorhanden) und der elektrischen Anschlüsse, sowie die Wartung müssen von qualifiziertem Personal durchgeführt werden.

Nach abgeschlossener Installation das Verpackungsmaterial (Plastik, Polystyrol usw.) außerhalb der Reichweite von Kindern aufbewahren, um Erstickungsgefahr zu vermeiden.

Das Gerät nicht benutzen, wenn man nass oder barfuß ist.

Das Gerät niemals mit Dampf reinigen - Stromschlaggefahr.

Das Verpackungsmaterial ist zu 100% recycelbar und mit dem Recycling-Symbol  gekennzeichnet.

Das Gerät kann von den Zeichnungen in dieser Broschüre abweichen, die Gebrauchs-, Wartungs- und Installationsanweisungen bleiben jedoch unverändert.

Die in diesem Handbuch aufgeführten Anleitungen müssen streng eingehalten werden. Es wird für allfällige Zwischenfälle, Schäden und Brände im Gerät nicht gehaftet, die aus der Nichteinhaltung der in diesem Handbuch aufgeführten Anleitungen stammen. Das Gerät ist ausschließlich für den häuslichen Gebrauch zum Kochen von Lebensmitteln und zum Absaugen von Dämpfen aus dem Kochvorgang selbst bestimmt. Andere Verwendungen (wie z.B. die Raumheizung) sind verboten. Der Hersteller lehnt jegliche Haftung für Missbräuche oder fehlerhafte Einstellungen der Steuerelemente ab.

• Lesen Sie die Anleitung sorgfältig durch: Es gibt wichtige Informationen zur Installation, zum Gebrauch und zur Sicherheit.

• Nehmen Sie keine elektrischen Änderungen am Gerät vor.

• Prüfen Sie vor der Installation des Geräts, dass keines der Komponenten beschädigt ist. Sollten Beschädigungen vorhanden sein, den Händler kontaktieren und die Installation nicht fortsetzen.

- Es ist wichtig, alle dem Produkt beiliegenden Handbücher aufzubewahren, damit sie zu jedem Zeitpunkt eingesehen werden können. Im Falle von Verkauf, Weitergabe oder Umzug ist sicherzustellen, dass sie beim Produkt verbleiben.

ELEKTROANSCHLUSS

Die Netzspannung muss mit der auf dem Typenschild im Inneren der Haube angegebenen Spannung übereinstimmen. Wenn die Abzugshaube mit einem Stecker ausgestattet ist, schließen Sie sie an eine den geltenden Normen entsprechende Steckdose an, die sich auch nach der Installation an einem zugänglichen Bereich befindet. Wenn kein Stecker vorhanden ist (direkter Anschluss an das Stromnetz) oder der Stecker sich auch nach der Installation nicht in einem zugänglichen Bereich befindet, verwenden Sie einen zweipoligen Standard-Schalter, der unter den Bedingungen der Überspannungskategorie III eine vollständige Trennung vom Stromnetz gewährleistet, entsprechend den Installationsvorschriften.

● **Achtung!** Bevor man den Stromkreis wieder an das Stromnetz anschließt und seinen ordnungsgemäßen Betrieb überprüft, sich immer vergewissern, dass das Stromkabel ordnungsgemäß montiert wurde.

Verwenden Sie keine Verlängerungskabel, Steckdosenleisten oder Adapter.

Netzspannung und -frequenz

Lesen Sie den Wert auf dem Aufkleber mit den Geräteeigenschaften auf der Innenseite der Kappe.

Anschluss der Drähte

⊥: gelb/grün

N: blau

L: braun

Austausch des Netzkabels

Die Abzugshaube ist mit einem speziellen Netzkabel ausgestattet; sollte das Kabel beschädigt sein, fordern Sie es bitte beim technischen Kundendienst an.

LUFTAUSLASS

(für die Versionen mit Absaugung)

Schließen Sie die Abzugshaube an Rohre und Wandauslassöffnungen mit einem Durchmesser an, der dem des Luftauslasses (Anschlussflansch) entspricht.

Die Verwendung von Rohren und Austrittsöffnungen an der Wand mit einem geringeren Durchmesser führt zu einer Verringerung der Absaugleistungen und einem deutlichen Anstieg der Geräuschentwicklung.

Aus diesem Grund ist diesbezüglich jede Haftung ausgeschlossen.

! Verwenden Sie eine möglichst kurze Rohrleitung.

! Verwenden Sie eine Rohrleitung mit möglichst wenigen Biegungen (maximaler Biegewinkel: 90°).

! Vermeiden Sie drastische Änderungen des Leitungsquerschnitts.

! Das Unternehmen übernimmt keine Haftung, wenn diese Vorschriften nicht eingehalten werden.

FILTERN ODER ABSAUGEN?

! Ihre Abzugshaube ist bereit für den Einsatz in der Version mit Absaugung.

Um die Abzugshaube in der Version mit Filter zu verwenden, muss das entsprechende ZUBEHÖRKIT installiert werden.

Prüfen Sie auf den ersten Seiten dieses Handbuchs, ob das ZUBEHÖRKIT bereits mitgeliefert wird oder separat erworben werden muss.

Anmerkung: Falls es sich in der Ausstattung befindet, könnte in einigen Fällen das zusätzliche Aktivkohlefiltersystem bereits in der Abzugshaube installiert sein.

Die Informationen zur Umrüstung der Abzugshaube von einer Version mit Absaugung in eine Version mit Filter sind bereits

in diesem Handbuch enthalten.

Version mit Absaugung

Die Dämpfe werden über ein am Anschlussflansch befestigtes Abluftrohr nach außen abgeführt.

⚠️ ACHTUNG

Das Abluftrohr wird nicht mitgeliefert und muss gekauft werden.

Der Durchmesser des Abluftrohrs muss dem Durchmesser des Anschlussrings entsprechen.

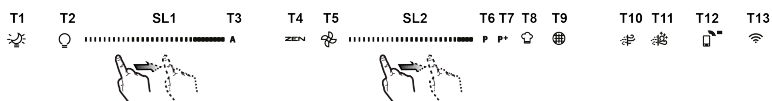
Wenn die Abzugshaube mit einem oder mehreren Kohlefiltern ausgestattet ist, muss/müssen dieser/diese entfernt werden.

Version mit Filter

Die angesaugte Luft wird entfettet und desodoriert, bevor sie in den Raum zurückgeführt wird. Um die Abzugshaube in dieser Version zu verwenden, muss ein zusätzliches Aktivkohlefiltersystem installiert werden.

STEUERUNGEN

Die Abzugshaube verfügt über ein Bedienfeld mit einer Steuerung der Absauggeschwindigkeit und einer Steuerung für das Einschalten des Lichts zur Beleuchtung des Kochfeldes.



T1. ON/OFF "Night Light"

T2. ON/OFF Kochfeldbeleuchtung - Auswahl der Farbtemperatur

T3. Betrieb "Autolight"

T4. Betrieb "ZEN Mode"

T5. ON/OFF Motor

T6. Betrieb "POWER BOOST 1"

T7. Betrieb "POWER BOOST 2"

T8. Automatischer Betrieb „COOKSENSE“

T9. Anzeige der Filtersättigung

T10. ON/OFF Betriebsmodus "Breath Daily Cycle"

T11. ON/OFF Betriebsmodus "Breath Intensive Cycle"

T12. Kontrollleuchte für aktive WI-FI-Funktion

T13. WI-FI-Verbindung

T1. ON/OFF "NIGHT LIGHT"

Drücken Sie diese Taste, um die sanfte Umgebungsbeleuchtung ein- und auszuschalten.

T2. ON/OFF KOCHFELDBELEUCHTUNG - AUSWAHL DER FARBTEMPERATUR

Drücken, um die Beleuchtung des Kochfeldes ein-/auszuschalten

• Berühren Sie bei eingeschalteter Beleuchtung die LED-Leiste **SL1** mit Ihren Fingern nach rechts bzw. links, um die Lichtintensität zu erhöhen oder zu verringern.

Drücken Sie erneut (lang), um die Farbtemperatur der Beleuchtung einzustellen.

• Berühren Sie den LED-Streifen **SL1** mit dem Finger nach rechts oder links, um eine kühlere oder wärmere Lichtfarbe einzustellen. 5 Sekunden lang keine Farbänderung, dann blinkt **SL1** in der eingestellten Farbstufe und ein akustisches Signal zeigt an, dass das System die eingestellte Konfiguration gespeichert hat.

Hinweis: Das Licht schaltet auf die zuletzt eingestellte Farbe um, bevor es sich ausschaltet.

T3. BERIEB "AUTOLIGHT"

Drücken Sie diese Taste, um die automatische Beleuchtungsfunktion „Autolight“ zu aktivieren/deaktivieren.

Anmerkung: Die Funktion wird nur aktiviert, wenn die Dunstabzugshaube an das Kochfeld angeschlossen ist. Sobald die Funktion aktiviert ist, wird die Beleuchtung des Kochfeldes automatisch entsprechend dem Status des angeschlossenen Kochfeldes gesteuert.

T4. BERIEB "ZEN MODE"

Drücken, um den Modus der Ansaugung "ZEN" zu aktivieren/deaktivieren.

Diese Funktion ermöglicht es, eine Sauggeschwindigkeit zu aktivieren, die den besten Kompromiss zwischen Geräuschlosigkeit und Saugleistung darstellt.

T5. ON/OFF MOTOR

Drücken Sie , um den Saugmotor ein-/auszuschalten.

• Berühren Sie bei laufendem Motor die **SL2**-LED-Leiste mit Ihren Fingern nach rechts bzw. links, um die Sauggeschwindigkeit (Leistung) zu erhöhen oder zu verringern.

T6. BETRIEB "POWER BOOST 1"

Drücken Sie bei laufendem Saugmotor T6, um die intensive Sauggeschwindigkeit (Leistung) "POWER BOOST 1" (zeitlich begrenzt) zu aktivieren.

Anmerkung: Nach 5 Minuten arbeitet die Dunstabzugshaube mit der zuvor eingestellten Geschwindigkeit weiter

T7. BETRIEB "POWER BOOST 2"

Drücken Sie bei laufendem Saugmotor T7, um die intensive Sauggeschwindigkeit (Leistung) "POWER BOOST 2" (zeitlich begrenzt) zu aktivieren.

Anmerkung: Nach 5 Minuten arbeitet die Dunstabzugshaube mit der zuvor eingestellten Geschwindigkeit weiter.

T8. AUTOMATISCHER BETRIEB „COOKSENSE“

Die Dunstabzugshaube stellt automatisch die Ansauggeschwindigkeit (Leistung) **1** ein und erhöht diese dann, wenn die vom Dunstabzugshaubesensor erfassten Umgebungsbedingungen dies erfordern.

Wenn sich die Umgebungsbedingungen nicht ändern, schaltet sich die Dunstabzugshaube nach 5 Minuten aus (wenn die Dunstabzugshaube bereits auf Sauggeschwindigkeit (Leistung) **1** steht).

Hinweis: Für die korrekte Nutzung dieser Funktion führen Sie zunächst die "Parametereinstellung für den Automatikbetrieb" durch (siehe entsprechendes Kapitel).

Hinweis: Wenn der Benutzer während des Automatikbetriebs die anderen Funktionen zur Einstellung der Geschwindigkeit betätigt, wird die automatische Lüftungsfunktion deaktiviert.

T9. ANZEIGE DER FILTERSÄTTIGUNG

In regelmäßigen Abständen zeigt die Dunstabzugshaube an, dass die Filterwartung auszuführen ist.

Hinweis: Die Anzeigen werden aktiviert, wenn die Dunstabzugshaube eingeschaltet ist.

Taste **T9** leuchtet: Führen Sie die Wartung des Fettfilters durch.

Taste **T9** blinkt: Führen Sie die Wartung des Aktivkohlefilters durch.

Zurücksetzen der Filtersättigungsanzeigen:

Hinweis: Dieser Vorgang muss bei eingeschalteter Dunstabzugshaube durchgeführt werden.

Drücken Sie die Taste **T9** lange; das Licht erlischt, um anzuzeigen, dass die Rückstellung erfolgreich war.

Aktivierung der Sättigungsanzeige des Aktivkohlefilters.

Hinweis: Dieser Vorgang muss bei ausgeschaltetem Saugmotor durchgeführt werden.

Diese Anzeige ist normalerweise deaktiviert; sie sollte aktiviert werden, wenn die Dunstabzugshaube in der Filterversion installiert ist, d.h. bei Vorhandensein von Kohlefiltern.

Drücken Sie die Tasten **T1** und **T10** gleichzeitig und lange, um die Funktion zu aktivieren: Die Tasten leuchten auf, um die Aktivierung anzuzeigen.

Um die Funktion zu deaktivieren, drücken Sie dieselben Tasten (**T1** und **T10**) erneut lange: die Tasten blinken kurz auf und erlöschen dann, um anzuzeigen, dass die Funktion deaktiviert wurde.

T10. ON/OFF BETRIEBSMODUS "BREATH DAILY CYCLE"

Die Dunstabzugshaube stellt automatisch die Ansauggeschwindigkeit (Leistung) **1** ein und erhöht diese dann, wenn die vom Dunstabzugshaubesensor erfassten Umgebungsbedingungen dies erfordern.

Wenn sich die Sauggeschwindigkeit nicht ändert, schaltet sich die Dunstabzugshaube je nach den festgestellten Umgebungsbedingungen nach 2 Stunden aus.

In jedem Fall schaltet sich die Dunstabzugshaube nach 5 Stunden zwangsweise ab.

Hinweis: Für die korrekte Nutzung dieser Funktion führen Sie zunächst die "Parametereinstellung für den automatischen Betrieb" durch (siehe entsprechenden Absatz).

T11. ON/OFF BETRIEBSMODUS "BREATH INTENSIVE CYCLE"

Die Dunstabzugshaube stellt automatisch die Ansauggeschwindigkeit (Leistung) **5** ein und erhöht diese dann, wenn die vom Dunstabzugshaubesensor erfassten Umgebungsbedingungen dies erfordern.

Wenn sich die Sauggeschwindigkeit nicht ändert, schaltet sich die Dunstabzugshaube je nach den festgestellten Umgebungsbedingungen nach 2 Stunden aus.

In jedem Fall schaltet sich die Dunstabzugshaube nach 5 Stunden zwangsweise ab.

Hinweis: Für die korrekte Nutzung dieser Funktion führen Sie zunächst die "Parametereinstellung für den Automatikbetrieb" durch (siehe entsprechendes Kapitel).

T12. KONTROLLEUCHE FÜR AKTIVE WI-FI-FUNKTION

Die Anzeige leuchtet, wenn die Dunstabzugshaube über die App ferngesteuert wird.

T13. WI-FI-VERBINDUNG

Drücken, um die WLAN-Funktionen zu aktivieren/deaktivieren.

Mit dieser Funktion können Sie das Produkt mit dem Internet verbinden und die Dunstabzugshaube über ein Smartphone oder Tablet aus der Ferne überwachen/steuern.

Um die WLAN-Funktion nutzen zu können, muss das Gerät mit dem drahtlosen Heimnetzwerk (Internet) gemäß der in der Anleitung „WLAN-Handbuch“ beschriebenen Konfiguration verbunden werden.

PARAMETEREINSTELLUNG FÜR DEN AUTOMATISCHEN BETRIEB

Für die korrekte Nutzung des Automatikbetriebs führen Sie die Schritte „Kalibrierung der Dunstabzugshaube“ und „Auswahl des Kochfeldes“ durch.

Kalibrierung der Dunstabzugshaube

Hinweis: Dieser Vorgang muss im Standby-Modus durchgeführt werden, d.h. 1 Minute nach dem Abschalten des Motors Drücken Sie die Taste **T4** für 5 Sekunden.

Die Sauggeschwindigkeit (Leistung) 1 beginnt zu laufen und die Taste **T4** blinkt, um anzuzeigen, dass die Dunstabzugshaubekalibrierung begonnen hat und etwa 5 Minuten dauern wird.

Hinweis: Um die Kalibrierung zu unterbrechen, drücken Sie 5 Sekunden lang die Taste **T4**; die Kalibrierung wird dann ungültig und muss wiederholt werden.

Hinweis: Wenn Sie das Gerät zum ersten Mal einschalten, wird die Kalibrierung automatisch durchgeführt: **T4** blinkt; warten Sie dann 5 Minuten, bis die Kalibrierung abgeschlossen ist.

Auswahl des Kochfeldes

Hinweis: Dieser Vorgang muss im Standby-Modus durchgeführt werden, d.h. 1 Minute nach dem Abschalten des Motors Drücken Sie die Taste **T10+T11** für 5 Sekunden.

Die Tasten **T10** und **T11** leuchten auf.

Drücken Sie die Taste **T10** im Falle eines Gaskochfeldes - die Taste blinkt, um die erfolgreiche Auswahl anzuzeigen.

Drücken Sie die Taste **T11** im Falle eines Elektrokochfeldes - die Taste blinkt, um die erfolgreiche Auswahl anzuzeigen.

Die gedrückte Taste blinkt 3 Sekunden lang und zeigt damit an, dass die Auswahl gespeichert wurde.

ANLEITUNGEN FÜR DIE WLAN-VERBINDUNG

FERNSTEUERUNG/KONFIGURATIONSVERFAHREN DER ANWENDUNG “Whirlpool 6th Sense Live”

Die Anwendung Whirlpool 6th Sense Live ermöglicht es, das Gerät von einem externen Gerät aus zu bedienen und zu steuern. Um das Gerät für die Fernsteuerung freizugeben, ist es erforderlich, die Konfiguration der Konnektivität vorzunehmen. Dieses Verfahren ist notwendig, um das Gerät zu registrieren und es mit dem Heimnetzwerk zu verbinden. Das Konfigurationsverfahren muss nur einmal durchgeführt werden. Es muss nur dann erneut durchgeführt werden, wenn sich die Routereigenschaften (Netzwerkname, Passwort oder Datenanbieter) ändern.

1.1 VOR BEGINN DES KONFIGURATIONSVERFAHRENS

1. Für die Durchführung des Verfahrens ist Folgendes erforderlich: Ein Smartphone oder Tablet mit dem Betriebssystem Android 7.0 (oder höher) oder ein Ipad oder iPhone mit dem Betriebssystem IOS 11 (oder höher); - Ein WLAN-Router b/g/n 2.4 Ghz, der mit dem Internet verbunden ist (überprüfen Sie mit Ihrem Smartphone oder Tablet, ob die Signalstärke Ihres drahtlosen Heimnetzwerks in der Nähe des Geräts gut ist).
2. Die kostenlose Anwendung Whirlpool 6th Sense Live aus dem Online-Store herunterladen und auf Ihrem Android-Smartphone oder -Tablet oder auf Ihrem iPad/iPhone installieren. Die App enthält alle notwendigen Anleitungen für den Installationsvorgang. Wenn man noch nicht über ein Konto verfügt, sollte man eines erstellen und sich für den Dienst registrieren (indem man die rechtlichen Bedingungen akzeptiert), um die in der App verfügbaren Funktionen nutzen zu können.
3. Das eigene Gerät registrieren, indem man den Anleitungen der App folgt. Für das Registrierungsverfahren wird der SAID-Code (Smart Appliance Identifier) auf dem Etikett des Geräts benötigt. Der SAID-Code ist eine Kombination aus Zahlen und Buchstaben (10 Zeichen). Tragen Sie hier den SAID-Code Ihres Geräts ein:

1.2 VOR BEGINN DES KONFIGURATIONSVERFAHRENS

- Vor Beginn der Installation den Router einschalten und prüfen, ob das WLAN-Signal aus Ihrem Heimnetzwerk das Gerät erreicht. Um die Stärke des WLAN-Signals zu prüfen, ein Tablet oder Smartphone verwenden, das nur mit dem WLAN-Router verbunden ist, alle anderen Verbindungen deaktivieren und die Vorrichtung in die Nähe des Geräts bringen. Eine beliebige Internetseite in einem Browser öffnen und kontrollieren, ob sie schnell und korrekt heruntergeladen wird. Wenn die Internetverbindung zu Hause ordnungsgemäß funktioniert, die Seite aber nicht heruntergeladen wird, muss möglicherweise eine Vorrichtung zur WLAN-Erweiterung installiert werden (nicht im Lieferumfang des Geräts enthalten).
- Wenn der Router WPS 2.0 (oder spätere Versionen) unterstützt, dem automatischen Konfigurationsverfahren folgen, um das Gerät mit dem Router zu verbinden. Wenn der Router WPS nicht unterstützt, muss das Konfigurationsverfahren manuell erfolgen

Die Anweisungen der App Whirlpool 6th Sense Live, die auf dem Tablet oder Smartphone erscheinen, befolgen, um das Gerät mit dem eigenen WLAN-Netzwerk zu verbinden.

Oder eines der in den folgenden Absätzen beschriebenen automatischen oder manuellen Verbindungsverfahren durchführen.

1.2.1 ANLEITUNGEN FÜR DIE AUTOMATISCHE KONFIGURATION (ERSTE VERWENDUNG) - METHODE WPS

Dieses Verfahren kann nur verwendet werden, wenn der Router WPS 2.0 (oder spätere Versionen) unterstützt

1. Am Gerät den Erkennungsprozess aktivieren, indem man die Verbindungstaste drei Sekunden lang drückt (es erfolgt ein Bestätigungston). Das Gerät wird im Suchmodus auf ein lokales Netzwerk eingestellt. Das Konnektivitätssymbol am Gerät beginnt schnell zu blinken.
2. Am WLAN-Router die WPS-Taste drücken, um eine Verbindung zwischen den beiden Produkten herzustellen. Eine Kontrollleuchte am Router beginnt zu blinken.
3. Wenn das Gerät eine Verbindung mit dem lokalen Router herstellt, beginnt das WLAN-Symbol langsamer zu blinken (diese Funktion wird nicht von allen Geräten unterstützt).
4. Das Gerät versucht, eine Verbindung zum Backend-System herzustellen. Das Konnektivitätssymbol leuchtet konstant. Wenn das WLAN-Symbol nach einigen Minuten nicht aufhört zu blinken, konnte das Gerät über WPS keine Verbindung zum Heimnetzwerk herstellen. Versuchen den Vorgang zu wiederholen. Sollte auch dieser Versuch fehlschlagen, so muss eine manuelle Konfiguration vorgenommen werden.
5. Das Verfahren zur Verbindung mit dem WLAN-Netzwerk kann durch Drücken der Verbindungstaste unterbrochen werden.

1.3 DEAKTIVIERUNG / AKTIVIERUNG DER WLAN-KONNEKTIVITÄT

Um die Verbindung des Geräts mit dem WLAN-Netzwerk zu deaktivieren, die Verbindungstaste 5 Sekunden lang drücken (ein Bestätigungston erfolgt). Das WLAN-Symbol auf dem Display des Geräts müsste sich ausschalten.

Um die WLAN-Verbindung des Geräts wieder zu aktivieren, die WLAN-Taste am Gerät drücken.

Nachdem die Verbindung konfiguriert wurde, ist es möglich, sie zu deaktivieren und das Gerät vom WLAN-Netzwerk zu trennen, indem die Verbindungstaste 10 Sekunden lang gedrückt wird (es erfolgen zwei Bestätigungstöne, der erste nach 5 Sekunden und der zweite nach 10 Sekunden).

Das WLAN-Symbol auf dem Display des Geräts müsste sich ausschalten.

Um das Gerät wieder mit dem WLAN-Heimnetzwerk zu verbinden, ist das im Absatz "Vorbereitung der Konfiguration" beschriebene Verfahren zu befolgen.

1.4 ANLEITUNGEN ZUR MANUELLEN KONFIGURATION (ERSTE VERWENDUNG) - METHODE MICRO ACCESS POINT

Dieses Verfahren verwendet die Technologie Micro Access Point™ und kann mit Routern verwendet werden, die WPS nicht unterstützen.

1. Vor dem Beginn des Konfigurationsvorgangs müssen der Namen (SSID), das Passwort des drahtlosen Heimnetzwerks und der SAID-Code des Gerätes notiert werden. Diese Daten werden während des Installationsvorgangs benötigt.
2. Den Router einschalten, sicherstellen, dass die Internetverbindung aktiv ist, und das Smartphone bzw. den Tablet mit dem WLAN-Netz verbinden.
3. Auf dem Gerät den Erkennungsvorgang aktivieren, indem die Verbindungstaste 5 Sekunden lang gedrückt halten (es werden zwei Bestätigungstöne ausgegeben, der erste nach 3 Sekunden und der zweite nach 5 Sekunden) • Das WLAN-Netzwerksymbol sollte auf der Geräteschnittstelle zu blinken beginnen.
4. Den QR-Code auf dem am Gerät angebrachten Etikett scannen; die App Whirlpool 6th Sense Live liefert dann detaillierte Anleitungen zur Durchführung des Verfahrens. Anmerkung: Unter Umständen ist es möglich, dass die App auffordert, den Typ des Geräts anzugeben: In diesem Fall Absaughaube wählen.
5. Sobald die Verbindung hergestellt ist, sollte das WLAN-Symbol auf dem Gerät aufhören zu blinken und dauerhaft leuchten. Andernfalls trennen das Gerät vom Stromnetz trennen und wiederanschließen und den Vorgang wiederholen.
6. Der Konfigurationsvorgang ist abgeschlossen.

1.5 FERNSTEUERUNG / TÄGLICHE VERWENDUNG

Diese Funktion ist nur bei bestimmten Gerätetypen implementiert.

1. Sicherstellen, dass der Router eingeschaltet und mit dem Internet verbunden ist.
2. Sicherstellen, dass die Kontrollleuchte für den WLAN-Verbindungszustand auf dem Display des Produkts dauerhaft leuchtet.
3. Die App **Whirlpool 6th Sense Live** erlaubt, das Gerät aus der Ferne zu steuern; insbesondere bietet sie die Möglichkeit:
 - das Gerät zu kontrollieren und verschiedene Optionen zu aktivieren, auch wenn man nicht zu Hause ist.
 - auf zusätzliche Funktionen zuzugreifen, wie zum Beispiel den Modus Smart Energy
 - den Energieverbrauch zu optimieren, z. B. durch Ausnutzung der günstigsten Zeitspannen.
 - auf zusätzliche Informationen über die Verwendung des Geräts zuzugreifen.
 - den Zustand des Geräts und den eventuellen Wartungsbedarf (z. B. Filterwechsel) zu prüfen.
 - die Abzugshaube mit dem kompatiblen Kochfeld und pyrolytischen Backofen zu synchronisieren, so dass sich das Gerät vollautomatisch einschaltet.

1.6 SCHNELLE IDENTIFIZIERUNG DES VERBINDUNGSZUSTANDS DES GERÄTS

Wenn die Kontrollleuchte für den WLAN-Verbindungszustand auf dem Display des Geräts schnell blinkt, bedeutet dies, dass das Gerät versucht, eine Verbindung mit dem Router herzustellen. Blinkt sie hingegen langsam, bedeutet dies, dass das Gerät zwar mit dem Router verbunden ist, aber keine Verbindung zum Internet herstellen kann (z. B. weil das ADSL-Netz nicht funktioniert); einige Gerätetypen unterstützen kein Blinken mit unterschiedlichen Geschwindigkeiten.

Wenn die Kontrollleuchte dauerhaft eingeschaltet ist, bedeutet dies, dass das Gerät mit dem Internet und dem Whirlpool Cloud-System verbunden ist.

1.7 HÄUFIGE FRAGEN ZUR WLAN-VERBINDUNG

Welche WLAN-Protokolle werden unterstützt?

Der installierte WLAN-Adapter unterstützt WLAN b/g/n-Konnektivität für europäische Länder.

Welche Einstellungen müssen in der Software des Routers vorgenommen werden?

Für den Router sind die folgenden Einstellungen erforderlich: 2,4 GHz freigegeben, WLAN b/g/n, DHCP und NAT aktiviert.

Welche Version von WPS wird unterstützt?

WPS 2.0 oder spätere Versionen. Siehe hierzu die Dokumentation des Routers.

Bestehen Unterschiede zwischen Android- und iOS-Smartphones (oder -Tablets)?

Es gibt keinen Unterschied, es können beide Betriebssysteme verwendet werden.

Ist es möglich, Tethering über eine Mobiltelefonverbindung anstelle eines Routers zu verwenden?

Ja, aber Cloud-Dienste sind für Geräte mit einer permanenten Verbindung konzipiert.

Wie kann man prüfen, ob die Internet-Verbindung zu Hause funktioniert und die drahtlose Funktionalität aktiviert ist?

Es ist möglich, im Netzwerk nach dem eigenen Smart-Gerät zu suchen. Bevor man es versucht, sollte man alle anderen Datenverbindungen deaktivieren.

Wie kann man prüfen, ob das Gerät mit dem WLAN-Heimnetzwerk verbunden ist?

Durch den Zugriff auf die Routerkonfiguration (siehe Handbuch des Routers) und die Kontrolle, ob die MAC-Adresse des Geräts in der Liste der verbundenen drahtlosen Geräte enthalten ist.

Wo kann man die MAC-Adresse des Geräts finden?

Direkt auf dem Gerät:

Das Etikett mit der SAID- und MAC-Adresse suchen.

Die MAC-Adresse besteht aus einer Kombination von Zahlen und Buchstaben, die mit "88:e7" beginnt.

Wie kann man prüfen, ob die drahtlose Funktionalität des Geräts aktiviert ist?

Mit dem Smartphone oder Tablet in der App Whirlpool 6th Sense Live prüfen, ob das Netzwerk des Geräts sichtbar und mit der Cloud verbunden ist.

Was kann verhindern, dass das Signal das Gerät erreicht?

Kontrollieren, dass die verbundenen Vorrichtungen die verfügbare Bandbreite nicht vollständig ausnutzen.

Prüfen, dass die Anzahl der für die WLAN-Verbindung aktivierten Vorrichtungen nicht die vom Router unterstützte Höchstgrenze überschreitet.

Wie groß sollte der Abstand zwischen dem Router und dem Gerät sein?

Normalerweise reicht die Leistung des WLAN-Signals aus, um ein paar Räume abzudecken, aber die tatsächliche Reichweite hängt weitgehend vom Wandmaterial ab. Es ist möglich, die Signalstärke zu überprüfen, indem man das Smartphone oder Tablet in die Nähe des Geräts bringt.

Was kann man tun, wenn die drahtlose Verbindung das Gerät nicht erreicht?

Es ist möglich, die Reichweite des WLAN-Heimnetzwerks mit speziellen Vorrichtungen zu erweitern, z. B. mit Access Point, WLAN-Verstärkern und Powerline-Brücken (nicht im Lieferumfang des Geräts enthalten).

Wo kann man den Namen und das Passwort für das drahtlose Netzwerk finden?

Siehe hierzu die Dokumentation des Routers. Normalerweise ist am Router ein Etikett angebracht, das die Informationen enthält, die für den Zugriff auf die Konfigurationsseite über eine verbundene Vorrichtung erforderlich sind.

Was kann man tun, wenn der Router den WLAN-Kanal der Nachbarn verwendet?

Den Router zwingen, den WLAN-Kanal der Wohnung zu verwenden.

Was kann man tun, wenn die Kontrollleuchte für den Verbindungszustand langsam blinkt und nicht dauerhaft leuchtet, oder wenn keine stabile Verbindung mit dem Heimrouter hergestellt werden kann?

Es ist möglich, dass das Gerät eine Verbindung zum Router herstellt, aber nicht auf das Internet zugreifen kann. Um das Gerät mit dem Internet zu verbinden, sind die Einstellungen des Routers und/oder der Leitung zu prüfen.

Einstellungen des Routers: NAT muss aktiv sein, Firewall und DHCP müssen korrekt konfiguriert sein. Unterstützte Verschlüsselungstypen für die Passwörter: WEP, WPA, WPA2. Wenn man eine andere Art der Verschlüsselung zu verwenden wünscht, das Handbuch des Routers konsultieren.

Einstellungen der Leitung: Wenn der Internetdienstanbieter die Anzahl der MAC-Adressen festgelegt hat, die eine Verbindung zum Internet herstellen können, kann das Gerät möglicherweise nicht mit der Cloud verbunden werden.

Die MAC-Adresse ist eine eindeutige Kennung und ist für jede Vorrichtung unterschiedlich. Das für die Verbindung anderer Vorrichtungen als Computer mit dem Internet anzuwendende Verfahren muss beim Anbieter erfragt werden.

Wie kann man prüfen, ob die Daten übertragen werden?

Nach der Konfiguration des Netzwerks das Gerät ausschalten, 20 Sekunden warten und wieder einschalten: prüfen, ob die App den Zustand der Benutzeroberfläche des Geräts anzeigt.

Bei einigen Einstellungen dauert es mehrere Sekunden, bis sie in der App angezeigt werden.

Kann das Konto Whirlpool 6th geändert werden, während die Geräte verbunden bleiben?

Es ist möglich, ein neues Konto zu erstellen, aber man muss daran denken, die Zuordnung der eigenen Geräte zum alten Konto zu löschen, bevor man sie dem neuen Konto zuordnet.

Was muss man tun, wenn man seinen Router wechselt?

Es ist möglich, die selben Konfigurationsparameter (Netzwerkname und Passwort) beizubehalten oder die vorherigen Einstellungen vom Gerät zu löschen und das Konfigurationsverfahren zu wiederholen.

PFLEGE

• **Reinigung:** Verwenden Sie zur Reinigung nur ein mit neutralen, flüssigen Reinigungsmitteln angefeuchtetes Tuch. Verwenden Sie keine Werkzeuge oder Instrumente zur Reinigung.

✖A Fettfilter: Er muss einmal im Monat (oder wenn das Anzeigesystem für die Filtersättigung - falls bei dem betreffenden Modell vorhanden - dies anzeigt) mit nicht aggressiven Reinigungsmitteln manuell oder im Geschirrspüler bei niedriger Temperatur und kurzem Zyklus gereinigt werden.

Beim Reinigen in der Spülmaschine kann sich der Metallfettfilter verfärben, wobei seine Filtereigenschaften in keiner Weise beeinträchtigt werden.

• Der Fettfilter hält Fettpartikel zurück, die beim Kochen entstehen. Beim Reinigen in der Spülmaschine kann sich der Metallfettfilter verfärben, wobei seine Filtereigenschaften in keiner Weise beeinträchtigt werden.

- **✖B Kohlefilter (nur für filternde Version):** Die Kartusche muss mindestens alle vier Monate ausgetauscht werden. Sie kann NICHT gereinigt oder wiederaufbereitet werden. Wie im Abschnitt "Zeichnungen" angegeben: Entfernen Sie die Fettfilter, setzen Sie einen Kohlefilter pro Seite ein und befestigen Sie ihn am Produkt. Die Fettfilter wieder einsetzen.

Beleuchtung

• Das Beleuchtungssystem basiert auf der LED-Technologie. Die LEDs gewährleisten eine optimale Beleuchtung, halten bis zu 10 Mal länger als herkömmliche Lampen und sparen 90 % an elektrischer Energie.

- **Beleuchtungssystem :** Das Beleuchtungssystem kann nicht vom Anwender ausgetauscht werden, wenden Sie sich bitte bei Betriebsstörungen an den Kundendienst.

ENTSORGUNG AM ENDE DER LEBENSDAUER



Dieses Gerät ist in Übereinstimmung mit der europäischen Richtlinie 2012/19/EU - UK SI 2013 No.3113, Waste Electrical and Electronic Equipment (WEEE) - gekennzeichnet worden.

Stellen Sie sicher, dass dieses Produkt ordnungsgemäß entsorgt wird. Der Benutzer trägt dazu bei, mögliche negative Umwelt- und Gesundheitsfolgen zu vermeiden. Das Symbol auf dem Produkt oder auf der Begleitdokumentation weist darauf hin, dass dieses Produkt nicht als Hausmüll behandelt werden darf, sondern bei der entsprechenden Sammelstelle für das Recycling von Elektro- und Elektronik-Altgeräten abgegeben werden muss. Das Produkt gemäß den lokalen Vorschriften zur Abfallentsorgung beseitigen. Weitere Informationen zur Behandlung, Wiederverwertung und zum Recycling dieses Produkts erhalten Sie von der zuständigen örtlichen Behörde, dem Hausmüllentsorgungsdienst oder dem Geschäft, in dem das Produkt gekauft wurde.



Das Verpackungsmaterial ist zu 100% recycelbar und mit dem Recycling-Symbol gekennzeichnet.

BESTIMMUNGEN

Geräte, die gemäß den folgenden Sicherheitsnormen entwickelt, getestet und hergestellt wurden: EN/IEC 60335-1; EN/IEC 60335-2-31, EN/IEC 62233. Leistung: EN/IEC 61591; ISO 5167-1; ISO 5167-3; ISO 5168; EN/IEC 60704-1; EN/IEC 60704-2-13; EN/IEC 60704-3; ISO 3741; EN 50564; IEC 62301. EMC: EN 55014-1; CISPR 14-1; EN 55014-2; CISPR 14-2; EN/IEC 61000-3-2; EN/IEC 61000-3-3.

FUNKTIONSTÖRUNGEN

Wenn etwas nicht zu funktionieren scheint, führen Sie die folgenden einfachen Kontrollen durch, bevor Sie den Kundendienst anrufen:

- Wenn die Haube nicht funktioniert:

Prüfen Sie, dass:

-Keine Stromunterbrechung vorliegt.

-Eine Geschwindigkeit gewählt wurde.

- Wenn die Abzugshaube eine unzureichende Leistung aufweist:

Prüfen Sie, dass:

-Die gewählte Motordrehzahl ausreichend für die freigesetzte Menge an Rauch und Dämpfen ist.

-Die Küche ausreichend belüftet ist, um eine Luftzufuhr zu ermöglichen.

-Der Aktivkohlefilter nicht abgenutzt ist (Abzugshaube in Version mit Filter).

- Wenn sich die Abzugshaube während des normalen Betriebs ausgeschaltet hat:

Prüfen Sie, dass:

-keine Stromunterbrechung vorliegt.

-der allpolige Schutzschalter nicht ausgelöst wurde.

Im Falle einer Funktionsstörung trennen Sie das Gerät für mindestens 5 Sekunden durch Abziehen des Steckers vom Stromnetz und schließen Sie es dann wieder an, bevor Sie sich an den Kundendienst wenden. Wenn die Funktionsstörung weiterhin besteht, wenden Sie sich an den Kundendienst.

TECHNISCHE DATEN

Höhe (cm)	Breite (cm)	Tiefe (cm)	Ø des Abluffrohrs (cm)
110-129,5	89,8	32	15

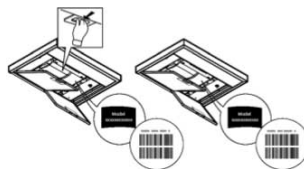


Komponenten, die nicht zum Lieferumfang des Produkts gehören



Zum Herunterladen der Sicherheitshinweise, des Benutzerhandbuchs, des Datenblatts und der Energiedaten:

- Besuchen Sie die Website docs.whirlpool.eu
- Verwenden Sie den QR-Code
- Oder **wenden Sie sich an den Kundendienst** (unter der im Garantieheft angegebenen Telefonnummer). Wenn Sie sich an den Kundendienst wenden, geben Sie bitte die Codes auf dem Typenschild des Produkts an.



SÉCURITÉ GÉNÉRALE

• Ne pas effectuer de variations électriques ou mécaniques sur le produit ou sur les conduits d'évacuation. • Avant toute opération de nettoyage ou d'entretien, débrancher le produit du secteur électrique en enlevant la fiche ou à travers le disjoncteur général du logement. • Utiliser des gants de travail pour toutes les opérations d'installation et d'entretien. • Le produit peut être utilisé par des enfants âgés d'au moins 8 ans et par des personnes ayant des capacités physiques, sensorielles ou mentales réduites ou sans expérience ou sans les connaissances nécessaires, à condition qu'ils soient surveillés ou après que ces personnes aient reçu des instructions relatives à l'usage sûr de l'appareil et à la compréhension des dangers afférents. • Les enfants doivent être contrôlés afin qu'ils ne jouent pas avec le produit. • Le nettoyage et l'entretien ne doivent pas être effectués par des enfants sans surveillance. • Le local doit disposer d'une ventilation suffisante lorsque le produit est utilisé en même temps que d'autres appareils à combustion de gaz ou autres combustibles. • Le produit doit être fréquemment nettoyé, à l'intérieur comme à l'extérieur (AU MOINS UNE FOIS PAR MOIS) ; respecter dans tous les cas les indications présentes dans les instructions d'entretien. • Le non-respect des normes de nettoyage du produit et du remplacement/nettoyage des filtres comporte des risques d'incendie. • Il est strictement interdit de faire flamber des aliments sous le produit. • ATTENTION : Lorsque la plaque de cuisson est en marche, les parties accessibles du produit peuvent devenir chaudes. • Ne pas brancher le produit au secteur électrique tant que l'installation n'est pas totalement terminée. • Concernant les mesures techniques et de sécurité à prendre pour l'évacuation des fumées, respecter scrupuleusement les réglementations établies par les autorités locales compétentes. • L'air aspiré ne doit pas être conduit vers le tube destiné à l'évacuation des fumées des appareils à combustion à gaz ou autres combustibles. • Ne pas utiliser ni laisser le produit sans que les ampoules ne soient correctement montées en raison du risque possible de décharge électrique. • Le produit ne doit JAMAIS être utilisé sans la grille correctement montée. • Le produit ne doit JAMAIS être utilisé comme plan à moins que cela ne soit explicitement indiqué.

• Utiliser uniquement les vis de fixation fournies avec le produit pour l'installation ou, si elles ne sont pas fournies, acheter le type de vis correct. Utiliser la longueur correcte pour les vis qui sont identifiées dans le Guide d'installation.

● **Attention** ! La non-installation de vis et fixations conformément à ces instructions peut comporter des risques électriques.

• Pour le remplacement de la lampe, utiliser uniquement le type de lampe indiqué dans la section maintenance/système d'éclairage de ce manuel. • L'utilisation d'une flamme nue peut endommager les filtres et provoquer des incendies et doit donc être évitée. • La friture doit être surveillée afin d'éviter que l'huile ne prenne feu. • En cas de doute, consulter le centre de service agréé ou un personnel

qualifié similaire.

Attention ! Ne pas utiliser avec un programmateur, une minuterie, une télécommande séparée ou tout autre appareil qui s'active automatiquement.

• La distance minimale entre la surface de support des récipients sur le dispositif de cuisson et la partie la plus basse de la hotte ne doit pas être inférieure à 50 cm en cas de cuisinières électriques et de 65 cm en cas de cuisinières à gaz ou mixtes.

Si les instructions d'installation du dispositif de cuisson à gaz spécifient une distance plus importante, il faut en tenir compte.

Les enfants de moins de 3 ans ne doivent pas s'approcher de l'appareil. Sans la surveillance constante d'un adulte, garder l'appareil hors de la portée des enfants de moins de 8 ans.

⚠ ATTENTION : l'appareil n'est pas destiné à être mis en marche à l'aide d'un dispositif externe ou d'un système de commande à distance séparé.

⚠ Cet appareil n'est pas destiné à un usage professionnel. Ne pas utiliser l'appareil à l'extérieur.

⚠ Pour éviter le risque de blessures, l'appareil doit être déplacé et installé par minimum deux personnes.

⚠ L'installation, incluant les raccords pour l'alimentation en eau (s'ils sont prévus) et les branchements électriques, et les interventions de réparation doivent être effectuées par un personnel qualifié.

Après avoir complété l'installation, conserver le matériel d'emballage (plastique, polystyrène, etc.) hors de la portée des enfants pour éviter le risque d'étouffement.

Ne jamais utiliser l'appareil pieds nus ou mouillés.

Ne jamais utiliser d'appareils de nettoyage à vapeur pour éviter le risque de choc électrique.

Le matériel d'emballage est 100% recyclable et est marqué du symbole 

L'appareil peut avoir un aspect différent par rapport au dessin de cette notice mais les instructions pour l'utilisation, l'entretien et l'installation restent les mêmes.

Suivre de près les instructions reportées dans ce manuel. Nous déclinons toute responsabilité pour tout problème, dommage ou incendie causé à l'appareil suite au non-respect des instructions reportées dans ce manuel. L'appareil est destiné exclusivement à un usage domestique pour la cuisson des aliments et l'extraction des fumées produites par la cuisson. Aucune autre utilisation n'est autorisée (par ex. chauffage de pièces). Le fabricant décline toute responsabilité en cas d'utilisation inappropriée ou de réglage erroné des commandes.

● Lire attentivement les instructions : elles contiennent des informations importantes sur l'installation, l'utilisation et la sécurité.

● N'effectuer aucune variation électrique sur l'appareil.

● Avant de procéder à l'installation de l'appareil, vérifier qu'aucun composant n'est endommagé. Sinon, contacter le revendeur et ne pas continuer l'installation.

● Il est important de conserver tous les manuels qui accompagnent le produit pour pouvoir les consulter à tout moment. En cas de vente, de cession ou de

transfert, s'assurer qu'ils restent avec le produit.

BRANCHEMENT ÉLECTRIQUE

La tension d'alimentation doit correspondre à la tension indiquée sur l'étiquette des caractéristiques située à l'intérieur de la hotte. Si elle est dotée d'une fiche, brancher la hotte à une prise conforme aux normes en vigueur située dans une zone accessible même après l'installation. Si elle n'est pas dotée de fiche (raccordement direct au secteur) ou si la fiche n'est pas placée dans un endroit accessible même après l'installation, appliquer un interrupteur bipolaire conforme qui assure la déconnexion complète du secteur dans les conditions de la catégorie de surtension III, conformément aux règles d'installation.

● **Attention !** Avant de rebrancher le circuit à l'alimentation du secteur électrique et d'en vérifier le fonctionnement correct, toujours contrôler que le câble d'alimentation ait été correctement monté.

Ne pas utiliser de rallonges, de prises multiples ou d'adaptateurs.

Tension et fréquence du secteur électrique

Se référer à la valeur indiquée sur l'étiquette des caractéristiques à l'intérieur de la hotte.

Branchement des fils

⏚ : jaune/vert

N : bleu

L : marron

Remplacement du câble d'alimentation

La hotte est dotée d'un câble d'alimentation spécial ; en cas d'endommagement, le demander au service d'assistance technique.

ÉVACUATION DE L'AIR

(pour les versions aspirantes)

Brancher la hotte à des tubes et des orifices d'évacuation muraux ayant un diamètre équivalent à la sortie d'air (bride de raccordement).

L'utilisation des tuyaux et des orifices d'évacuation d'un diamètre inférieur diminuera l'efficacité de l'extraction et augmentera considérablement le bruit.

Nous déclinons, dans ce cas, toute responsabilité.

! La longueur du conduit doit être celle strictement indispensable.

! Utiliser un conduit avec le moins de coudes possible (angle maximal du coude : 90°).

! Éviter de changer drastiquement la section du conduit.

! L'entreprise décline toute responsabilité en cas de non-respect de ces consignes.

FILTRANTE OU ASPIRANTE ?

! Votre hotte est prête à être utilisée en version aspirante.

Pour utiliser la hotte en version filtrante, il faut installer le KIT ACCESSOIRE dédié.

Vérifiez dans les premières pages de ce manuel si le KIT ACCESSOIRE est déjà fourni ou s'il doit être acheté à part.

Remarque : S'il est fourni, dans certains cas le système de filtration supplémentaire à base de charbon actif pourrait déjà être installé sur la hotte.

Les informations concernant la transformation de la hotte de version aspirante à version filtrante sont déjà contenues dans ce manuel.

Version aspirante

Les vapeurs sont évacuées vers l'extérieur par un tuyau d'échappement fixé sur la bride de raccord.

ATTENTION

Le tuyau d'évacuation n'est pas fourni et doit être acheté à part.

Le diamètre du tube d'évacuation doit être identique au diamètre de l'anneau de raccordement.

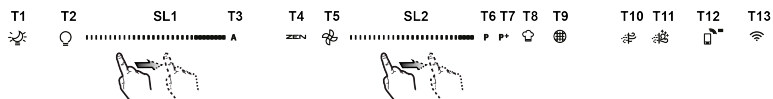
Si la hotte est dotée d'un/de filtre(s) à charbon, il(s) doit/doivent être retiré(s).

Version filtrante

L'air aspiré sera dégraissé et désodorisé avant d'être renvoyé dans la pièce. Pour utiliser la hotte dans cette version, il faut installer un système de filtration supplémentaire à base de charbon actif.

COMMANDES

La hotte est dotée d'un panneau de commande avec un contrôle des vitesses d'aspiration et un contrôle d'allumage de la lumière pour l'éclairage de la plaque de cuisson.



T1. ON/OFF « Night Light »

T2. ON/OFF éclairage plaque de cuisson – Sélection température de couleur

T3. Fonctionnement « Autolight »

T4. Fonctionnement « ZEN Mode »

T5. ON/OFF Moteur

T6. Fonctionnement « POWER BOOST 1 »

T7. Fonctionnement « POWER BOOST 2 »

T8. Fonctionnement automatique « COOKSENSE »

T9. Indicateur saturation filtres

T10. ON/OFF mode de fonctionnement « Breath Daily Cycle »

T11. ON/OFF mode de fonctionnement « Breath Intensive Cycle »

T12. Indicateur lumineux de fonction WI-FI active

T13. Connexion WI-FI

T1. ON/OFF « NIGHT LIGHT »

Appuyer dessus pour allumer/éteindre l'éclairage ambiant tamisé.

T2. ON/OFF ÉCLAIRAGE PLAQUE DE CUISSON – SÉLECTION TEMPÉRATURE DE COULEUR

Appuyer dessus pour allumer/éteindre l'éclairage du plan de travail

• Avec l'éclairage allumé, effleurer la bande LED **SL1** les doigts vers la droite ou vers la gauche, respectivement pour augmenter ou réduire l'intensité de la lumière.

Appuyer de nouveau (pression longue) pour définir la température de couleur de l'éclairage.

• Effleurer la bande LED **SL1** avec les doigts vers la droite ou vers la gauche pour définir une couleur de lumière plus froide ou plus chaude. S'il n'y a pas de changements de couleur pendant 5 secondes, **SL1** clignote sur le niveau de couleur défini et un signal sonore indique que le système a enregistré la configuration effectuée.

Remarque : la lumière s'allume avec la dernière couleur définie avant l'extinction.

T3. FONCTIONNEMENT « AUTOLIGHT »

Appuyer dessus pour activer/désactiver la fonction de l'éclairage automatique « Autolight ».

Remarque : La fonction s'active uniquement quand la hotte est connectée en Wi-Fi à la plaque de cuisson. Une fois la fonction activée, l'éclairage de la plaque de cuisson sera géré automatiquement en fonction de l'état de la plaque de cuisson connectée.

T4. FONCTIONNEMENT « ZEN MODE »

Appuyer dessus pour activer/désactiver le mode d'extraction « ZEN ».

Cette fonction permet d'activer une vitesse d'extraction qui s'avère être le meilleur compromis entre le niveau sonore et la performance d'extraction.

T5. ON/OFF MOTEUR

Appuyer dessus pour allumer/éteindre le moteur d'extraction.

• Avec le moteur allumé, effleurer la bande LED **SL2** les doigts vers la droite ou vers la gauche, respectivement pour augmenter ou réduire la vitesse (puissance) d'extraction.

T6. FONCTIONNEMENT « POWER BOOST 1 »

Avec le moteur d'extraction allumé, appuyer sur T6 pour activer la vitesse (puissance) d'extraction intensive « POWER

BOOST 1 » (temporisée).

Remarque : Après 5 minutes, la hotte continue de fonctionner à la vitesse précédemment définie

T7. FONCTIONNEMENT « POWER BOOST 2 »

Avec le moteur d'extraction allumé, appuyer sur T7 pour activer la vitesse (puissance) d'extraction intensive « POWER BOOST 2 » (temporisée).

Remarque : Après 5 minutes, la hotte continue de fonctionner à la vitesse précédemment définie.

T8. FONCTIONNEMENT AUTOMATIQUE « COOKSENSE »

La hotte définit automatiquement la vitesse (puissance) d'extraction 1 pour ensuite augmenter si les conditions d'ambiance détectées par le capteur de la hotte le requièrent.

En l'absence de variations des conditions d'ambiance, la hotte s'éteint après 5 minutes (si la hotte est déjà la vitesse (puissance) d'extraction 1).

Remarque : pour une utilisation correcte de cette fonction, effectuer d'abord le « Réglage des paramètres pour le Fonctionnement automatique » (voir paragraphe correspondant).

Remarque : durant le fonctionnement automatique, si l'utilisateur agit sur les autres fonctions qui permettent de régler la vitesse, la fonction auto-ventilation se désactive.

T9. INDICATEUR SATURATION FILTRES

La hotte signale, à intervalles réguliers, l'obligation d'effectuer l'entretien des filtres.

Remarque : les indicateurs s'activent avec la hotte allumée.

Touche T9 allumée : effectuer l'entretien du filtre à graisse.

Touche T9 clignotante : effectuer l'entretien du filtre à charbon actif.

Réinitialiser voyants saturation filtres :

Remarque : cette opération doit être réalisée avec la hotte allumée.

Appuyer avec une pression longue sur la touche T9 ; le voyant s'éteint pour indiquer la réinitialisation effective.

Activation de l'indicateur de saturation du filtre à charbon actif.

Remarque : cette opération doit être réalisée avec le moteur d'extraction éteint.

Cet indicateur est normalement désactivé ; il doit être activé en cas d'installation de la hotte en version filtrante, et donc en présence des filtres à charbon.

Appuyer avec une pression longue simultanément sur les touches T1 et T10 pour activer la fonction : les touches s'allument pour indiquer l'activation effective.

Pour désactiver la fonction, appuyer de nouveau sur les mêmes touches (T1 et T10) avec une pression longue : les touches clignotent brièvement, pour ensuite s'éteindre, pour indiquer la désactivation effective.

T10. ON/OFF MODE DE FONCTIONNEMENT « BREATH DAILY CYCLE »

La hotte définit automatiquement la vitesse (puissance) d'extraction 1 pour ensuite augmenter si les conditions d'ambiance détectées par le capteur de la hotte le requièrent.

En l'absence de variations de la vitesse d'extraction, en fonction des conditions d'ambiance, la hotte s'éteint après 2 heures.

La hotte se désactive dans tous les cas par forçage après 5 heures.

Remarque : pour une utilisation correcte de cette fonction, effectuer d'abord le « Réglage des paramètres pour le Fonctionnement automatique » (voir paragraphe correspondant).

T11. ON/OFF MODE DE FONCTIONNEMENT « BREATH INTENSIVE CYCLE »

La hotte définit automatiquement la vitesse (puissance) d'extraction 5 pour ensuite augmenter si les conditions d'ambiance détectées par le capteur de la hotte le requièrent.

En l'absence de variations de la vitesse d'extraction, en fonction des conditions d'ambiance, la hotte s'éteint après 2 heures.

La hotte se désactive dans tous les cas par forçage après 5 heures.

Remarque : pour une utilisation correcte de cette fonction, effectuer d'abord le « Réglage des paramètres pour le Fonctionnement automatique » (voir paragraphe correspondant).

T12. INDICATEUR LUMINEUX DE FONCTION WI-FI ACTIVE

L'indicateur s'allume quand la hotte est contrôlée à distance par l'intermédiaire de l'App.

T13. CONNEXION WI-FI

Appuyer pour activer/désactiver les fonctions WI-FI.

Cette fonction permet de connecter le produit à Internet et de surveiller/contrôler à distance la hotte à travers un

Smartphone ou une tablette.

Pour utiliser la fonction Wi-Fi, il est nécessaire de connecter l'appareil au réseau sans fil domestique (Internet) en suivant la procédure de configuration décrite dans les instructions « MANUEL WI-FI MANUAL ».

RÉGLAGE DES PARAMÈTRES POUR LE FONCTIONNEMENT AUTOMATIQUE

Pour utiliser correctement le fonctionnement automatique, effectuer le « Calibrage de la hotte » et la « Sélection de la plaque de cuisson ».

Calibrage de la hotte

Remarque : cette opération doit être réalisée en condition de veille, c'est-à-dire 1 minute après l'extinction du moteur. Appuyer sur la touche **T4** pendant 5 secondes.

La vitesse (puissance) d'extraction 1 commence à fonctionner et la touche **T4** clignote pour indiquer que le calibrage de la hotte a démarré et qu'il durera environ 5 minutes.

Remarque : pour interrompre le calibrage, appuyer sur **T4** pendant 5 secondes ; le calibrage sera invalidé, et devra donc être répété.

Remarque : le calibrage s'effectue automatiquement à la première alimentation du produit : **T4** clignotant ; attendre ensuite 5 minutes que le calibrage soit terminé.

Sélection de la plaque de cuisson

Remarque : cette opération doit être réalisée en condition de veille, c'est-à-dire 1 minute après l'extinction du moteur. Appuyer sur la touche **T10+T11** pendant 5 secondes.

Les touches **T10** et **T11** s'allument.

Appuyer sur la touche **T10** en cas de plaque de cuisson gaz - la touche clignote pour indiquer la sélection effective.

Appuyer sur la touche **T11** en cas de plaque de cuisson électrique - la touche clignote pour indiquer la sélection effective.

La touche enfoncée clignotera pendant 3 secondes, pour indiquer que la sélection a été mémorisée.

INSTRUCTIONS POUR LA CONNEXION WI-FI

CONTRÔLE À DISTANCE/PROCÉDURE DE CONFIGURATION DANS L'APPLICATION « Whirlpool 6th Sense Live »

L'application Whirlpool 6th Sense Live permet d'actionner et de contrôler l'appareil à distance à partir d'un dispositif externe. Pour habiller l'appareil au contrôle à distance, il est nécessaire de suivre la procédure de configuration de la connectivité. Cette procédure est nécessaire pour enregistrer l'appareil et le connecter au réseau domestique. La procédure de configuration doit être effectuée une seule fois. Il sera nécessaire de l'effectuer à nouveau qu'en cas de modification des propriétés du routeur (nom du réseau, mot de passe ou fournisseur de données).

1.1 AVANT DE COMMENCER LA PROCÉDURE DE CONFIGURATION

1. Pour suivre la procédure, il faut disposer de : Un Smartphone ou d'une tablette dotée du système d'exploitation Android 7.0 (ou supérieur), ou d'un Ipad ou iPhone doté du système d'exploitation IOS 11 (ou supérieur) ; • un routeur WiFi b/g/n 2.4 Ghz connecté à Internet (vérifier avec le Smartphone ou la tablette que l'intensité du signal du réseau sans fil est bonne dans la zone où se trouve l'appareil).
2. Télécharger l'application gratuite Whirlpool 6th Sense Live sur le store et l'installer sur le Smartphone ou tablette Android ou sur l'iPAD/iPhone. L'app fournira toutes les instructions nécessaires pour la procédure d'installation. Il faut posséder un compte pour pouvoir profiter des fonctionnalités disponibles dans l'app. Si ce n'est pas encore le cas, en créer un et s'enregistrer au service (en acceptant les conditions légales).
3. Enregistrer son appareil en suivant les instructions de l'app. Le code SAID (Smart Appliance Identifier) indiqué sur l'étiquette de l'appareil sera demandé pour la procédure d'enregistrement. Le code SAID est une combinaison de chiffres et de lettres (10 caractères). Noter ici le code SAID de l'appareil :

SAID

1.2 AVANT DE COMMENCER LA PROCÉDURE DE CONFIGURATION

- Avant de commencer l'installation, allumer le routeur et vérifier que le signal sans fil du réseau domestique atteint l'appareil. Pour vérifier la puissance du signal WiFi, utiliser une tablette ou un Smartphone connectés uniquement au routeur Wi-Fi, désactiver toutes les autres connexions et placer le dispositif à proximité de l'appareil. Ouvrir n'importe

quelle page Internet dans un navigateur et contrôler qu'elle s'ouvre rapidement et correctement. Si la connexion à Internet de l'activation fonctionne correctement mais que la page ne s'ouvre pas, il pourrait être nécessaire d'installer un dispositif amplificateur Wi-Fi (non fourni avec l'appareil).

- Si le routeur supporte WPS 2.0 (ou des versions suivantes), suivre la procédure de configuration automatique pour connecter l'appareil au routeur. Si le routeur ne supporte pas WPS, suivre la procédure de configuration manuelle

Suivre les instructions de l'app Whirlpool 6th Sense Live qui apparaissent sur la tablette ou sur le Smartphone pour connecter l'appareil au réseau WiFi.

Ou suivre l'une des procédures de connexion automatique ou manuelle décrites dans les paragraphes suivants.

1.2.1 INSTRUCTIONS POUR LA CONFIGURATION AUTOMATIQUE (PREMIÈRE UTILISATION)– MÉTHODE WPS

Cette procédure peut uniquement être suivie si le routeur supporte WPS 2.0 (ou versions suivantes)

1. Sur l'appareil, activer le processus de reconnaissance en appuyant pendant trois secondes sur la touche de connectivité (un signal sonore de confirmation est émis). L'appareil est configuré en mode de « recherche » d'un réseau local. L'icône de connectivité de l'appareil commence à clignoter rapidement.
2. Sur le routeur sans fil, appuyer sur la touche WPS pour établir une connexion entre deux produits. Un voyant commence à clignoter sur le routeur.
3. Quand l'appareil se connecte au routeur local, l'icône WiFi commence à clignoter plus lentement (cette caractéristique n'est pas supportée sur tous les appareils).
4. L'appareil tente de se connecter au système back.end. L'icône de connectivité reste allumée de manière fixe. Si l'icône WiFi ne s'arrête pas de clignoter après quelques minutes, cela signifie que l'appareil n'a pas réussi à établir une connexion au réseau domestique via WPS. Essayer de répéter la procédure et, en cas d'échec, utiliser la procédure de configuration manuelle.
5. La procédure de connexion au réseau WiFi peut être interrompue en appuyant sur la touche de connectivité.

1.3 DÉSACTIVATION / ACTIVATION DE LA CONNECTIVITÉ WI-FI

Pour désactiver la connexion de l'appareil au réseau WiFi, appuyer pendant 5 secondes sur la touche de connectivité (un signal sonore de confirmation sera émis). L'icône WiFi présente sur l'écran de l'appareil devrait s'éteindre.

Pour réactiver la connexion WiFi de l'appareil, appuyer sur la touche WiFi présente sur le produit.

Après avoir configuré la connexion, il est possible de la désactiver et de déconnecter l'appareil du réseau WiFi en appuyant sur la touche de connectivité pendant 10 secondes (deux signaux sonores de confirmation seront émis, le premier après 5 secondes et le deuxième après 10 secondes).

L'icône WiFi présente sur l'écran de l'appareil devrait s'éteindre.

Pour reconnecter l'appareil au réseau WiFi domestique, suivre la procédure décrite dans la section « Préparation à la configuration ».

1.4 INSTRUCTIONS POUR LA CONFIGURATION MANUELLE (PREMIÈRE UTILISATION) - MÉTHODE DU MICRO ACCESS POINT

Cette procédure utilise la technologie Micro Access Point et peut être utilisée avec des routeurs qui ne supportent pas WPS.

1. Avant de commencer la procédure de configuration, noter le nom (SSID) et le mot de passe du réseau WiFi domestique et le code SAID de l'appareil. Ces données seront nécessaires pendant la procédure d'installation.
2. Allumer le routeur, vérifier que la connexion Internet fonctionne et connecter votre Smartphone/tablette au réseau wifi.
3. Sur l'appareil, activer le processus de reconnaissance en appuyant sur le bouton de connectivité pendant 5 secondes (deux bips de confirmation retentissent, le premier après 3 secondes, le second après 5 secondes) • l'icône du réseau WiFi doit commencer à clignoter sur l'interface de l'appareil.
4. Scanner le code QR présent sur l'étiquette appliquée sur l'appareil ; l'app Whirlpool 6th Sense Live fournira alors les instructions détaillées pour l'exécution de la procédure. Remarque : Dans certains cas, il est possible que l'app demande de spécifier le type d'appareil : dans ce cas, sélectionner Hotte.

5. Une fois la connexion établie, l'icône WiFi de l'appareil doit cesser de clignoter et rester allumée de manière fixe. Dans le cas contraire, débrancher et rebrancher l'appareil du secteur et répéter la procédure.
6. La procédure de configuration est terminée.

1.5 CONTRÔLE À DISTANCE / UTILISATION QUOTIDIENNE

Cette fonction est disponible uniquement sur certains types d'appareil.

1. S'assurer que le routeur est allumé et connecté à Internet.
2. S'assurer que le voyant de l'état de connexion WiFi est allumé de manière fixe sur l'écran du produit.
3. L'app **Whirlpool 6th Sense Live** permet de contrôler l'appareil à distance ; il offre notamment la possibilité de :
 - contrôler l'appareil et d'activer différentes options même en dehors de la maison.
 - accéder à des fonctions supplémentaires, comme par exemple le mode Smart Energy
 - optimiser la consommation d'énergie, en profitant par exemple des créneaux horaires les moins chers.
 - accéder à des informations supplémentaires sur l'utilisation de l'appareil.
 - vérifier l'état de l'appareil et si un entretien est nécessaire (ex. changement filtres).
 - Synchroniser la hotte avec la plaque et le four pyrolyse compatibles en permettant à l'appareil de s'activer de manière totalement automatique.

1.6 IDENTIFICATION RAPIDE DE L'ÉTAT DE CONNEXION DE L'APPAREIL

Si le voyant de l'état de connexion WiFi clignote rapidement sur l'écran de l'appareil, cela signifie que l'appareil est en train de tenter de se connecter au routeur. Si en revanche, il clignote lentement, cela signifie que l'appareil est connecté au routeur mais qu'il n'arrive pas à se connecter à Internet (par exemple parce que le réseau ADSL ne fonctionne pas) ; certains types d'appareil ne supportent pas le clignotement à des vitesses différentes.

Si le voyant est allumé de manière fixe, cela signifie que l'appareil est connecté à Internet et au système cloud de Whirlpool.

1.7 QUESTIONS FRÉQUENTES SUR LA CONNEXION WIFI

Quels protocoles WiFi sont supportés ?

L'adaptateur WiFi installé supporte la connectivité Wi-Fi b/g/n pour les pays européens.

Quels réglages faut-il configurer dans le logiciel du routeur ?

Les réglages suivants sont requis pour le routeur : 2.4 GHz habilité, WiFi b/g/n, DHCP et NAT activés.

Quelle version de WPS est supportée ?

WPS 2.0 ou versions suivantes. Consulter la documentation du routeur.

Y a-t-il des différences entre Smartphone (ou tablette) Android et iOS ?

Il n'y a pas de différences, il est possible d'utiliser les deux systèmes d'exploitation, indifféremment.

Est-il possible d'utiliser le partage de connexion d'un téléphone portable à la place d'un routeur ?

Oui, mais les services cloud sont conçus pour des dispositifs dotés d'une connexion permanente.

Comment faire pour contrôler si la connexion à Internet domestique est opérationnelle et si la fonctionnalité sans fil est activée ?

Il est possible de chercher son dispositif Smart sur le réseau. Avant d'essayer, désactiver toutes les autres connexions de données.

Comment faire pour vérifier si l'appareil est connecté au réseau WiFi domestique ?

Accéder à la configuration du routeur (consulter le manuel du routeur) et contrôler que l'adresse MAC de l'appareil soit présente dans la liste des dispositifs sans fil connectés.

Où est-il possible de trouver l'adresse MAC de l'appareil ?

Directement sur l'appareil :

chercher l'étiquette contenant les adresses SAID et MAC.

L'adresse MAC est formée d'une combinaison de chiffres et de lettres qui commence par « 88:e7 ».

Comment faire pour contrôler si la fonctionnalité sans fil de l'appareil est activée ?

En utilisant un Smartphone ou une tablette, contrôler dans l'app Whirlpool 6th Sense Live que le réseau de l'appareil soit visible et connecté au cloud.

Que peut empêcher au signal d'atteindre l'appareil ?

Contrôler que les dispositifs connectés n'occupent pas entièrement la bande disponible.

Vérifier que le nombre de dispositifs activés pour la connexion WiFi ne dépasse pas la limite maximale supportée par le routeur.

Quelle devrait être la distance entre le routeur et l'appareil ?

Normalement, le signal WiFi a une puissance suffisante pour couvrir deux pièces, mais la portée effective dépend en grande partie du matériau des murs. Il est possible de contrôler la puissance du signal en approchant le Smartphone ou la tablette de l'appareil.

Quelles solutions existent si la connexion sans fil n'atteint pas l'appareil ?

Il est possible d'utiliser des dispositifs spécifiques pour amplifier la couverture du réseau WiFi domestique, par exemple points d'accès, répéteurs WiFi et stations Power-line (non fournis avec l'appareil).

Où est-il possible de trouver le nom et le mot de passe du réseau sans fil ?

Consulter la documentation du routeur. Normalement, une étiquette contenant les informations nécessaires pour accéder à la page de configuration en utilisant un dispositif connecté est appliquée sur le routeur.

Que faire si le routeur utilise le réseau WiFi des voisins ?

Forcer le routeur à utiliser le réseau WiFi de l'habitation.

Que faire si le voyant de l'état de connexion continue de clignoter lentement, sans être fixe, ou s'il est impossible d'établir une connexion stable avec le routeur domestique ?

Il est possible que l'appareil se connecte au routeur mais qu'il n'arrive pas à accéder à Internet. Pour connecter l'appareil à Internet, contrôler les réglages du routeur et/ou de la ligne.

Réglages du routeur : NAT doit être actif, Firewall et DHCP doivent être correctement configurés. Types de cryptographie pour les mots de passe : WEP, WPA, WPA2. Pour utiliser un type de cryptographie différent, consulter le manuel du routeur.

Réglages de la ligne : si le fournisseur du service Internet a défini le nombre d'adresses MAC qui peuvent se connecter à Internet, il se peut qu'il soit impossible de connecter l'appareil au cloud.

L'adresse MAC est un identifiant univoque et est différente pour chaque dispositif. Il faudra demander au fournisseur la procédure à suivre pour connecter à Internet des dispositifs différents des ordinateurs.

Comment faire pour contrôler si les données sont transmises ?

Après avoir configuré le réseau, éteindre l'appareil, attendre 20 secondes et le rallumer : vérifier que l'app montre l'état de l'interface utilisateur de l'appareil.

Certains réglages prennent plusieurs secondes pour apparaître dans l'app.

Est-il possible de modifier le compte Whirlpool 6th en maintenant les appareils connectés ?

Il est possible de créer un nouveau compte, mais il faut penser à annuler l'association de ses appareils à l'ancien compte avant de les associer au nouveau.

Que faire en cas de changement de routeur ?

Il est possible de conserver les mêmes paramètres de configuration (nom et mot de passe du réseau) ou de supprimer les réglages précédents sur l'appareil et de répéter la procédure de configuration.

ENTRETIEN

• **Nettoyage** : Pour le nettoyage, utiliser exclusivement un chiffon imbibé de nettoyant liquide neutre. Ne pas utiliser d'ustensiles ni d'instruments de nettoyage.

✘A Filtre à graisse : Il doit être nettoyé une fois par mois (ou quand le système d'indication de saturation des filtres - si prévu sur le modèle possédé - indique ce besoin), avec des nettoyants non agressifs, manuellement ou au lave-vaisselle à faibles températures et à cycle court.

Avec le lavage au lave-vaisselle, le filtre anti-graisse métallique peut décolorer mais ses caractéristiques de filtrage restent les mêmes.

• Le filtre à graisse retient les particules de graisse provenant de la cuisson. Avec le lavage au lave-vaisselle, le filtre anti-graisse métallique peut décolorer mais ses caractéristiques de filtrage restent les mêmes.

- **✘B Filtre à charbon (seulement pour la version filtrante)** : Il est nécessaire de remplacer la cartouche au maximum tous les quatre mois. Il NE peut PAS être lavé ni régénéré. Comme indiqué dans la section des dessins : enlever les filtres à graisse, appliquer un filtre au charbon par côté et l'accrocher au produit. Remettre les filtres à graisse.

Éclairage du plan de cuisson

• Le système d'éclairage est basé sur la technologie LED. Les LED fournissent un éclairage optimal, durent jusqu'à 10 fois plus longtemps que les ampoules classiques et permettent d'économiser 90 % d'électricité.

- **Système d'Éclairage** : Le système d'éclairage ne peut pas être remplacé par l'utilisateur ; en cas de dysfonctionnement, contacter le service d'assistance.

ÉLIMINATION EN FIN DE VIE



Cet appareil est marqué conformément à la Directive Européenne 2012/19/CE - UK SI 2013 No.3113, Déchets d'équipements électriques et électroniques (DEEE).

S'assurer que ce produit est correctement éliminé. L'utilisateur contribue à prévenir les possibles conséquences négatives pour l'environnement et la santé. Le symbole présent sur le produit ou sur la documentation qui l'accompagne indique qu'il ne doit pas être traité comme déchet ménager mais être apporté à un point de collecte pour le recyclage d'équipements électriques et électroniques. L'éliminer conformément aux réglementations locales d'élimination des déchets. Pour plus d'informations sur le traitement, la récupération et le recyclage de ce produit, contacter les autorités locales, le service de collecte des déchets ménagers ou le magasin où le produit a été acheté.

Le matériel d'emballage est 100% recyclable et est marqué du symbole



NORMES

Équipement conçu, testé et réalisé dans le respect des normes sur la Sécurité : EN/CEI 60335-1 ; EN/CEI 60335-2- 31, EN/CEI 62233. Performance : EN/CEI 61591 ; ISO 5167-1 ; ISO 5167-3 ; ISO 5168 ; EN/CEI 60704-1 ; EN/CEI 60704-2-13 ; EN/CEI 60704-3 ; ISO 3741 ; EN 50564 ; CEI 62301. CEM : EN 55014-1 ; CISPR 14-1 ; EN 55014-2 ; CISPR 14-2 ; EN/CEI 61000-3-2 ; EN/CEI 61000-3-3.



ANOMALIES DE FONCTIONNEMENT

En cas d'anomalie, effectuer les contrôles suivants avant de contacter le Service d'Assistance :

- Si la hotte ne fonctionne pas :

Vérifier que :

- Il n'y a pas de coupure de courant.

- Une vitesse a été sélectionnée.

- Si la hotte a un faible rendement :

Vérifier que :

- La vitesse du moteur sélectionnée est suffisante pour la quantité de fumée et de vapeurs libérée.

- La cuisine est suffisamment aérée pour permettre une prise d'air.

- Le filtre à charbon n'est pas usé (hotte en version filtrante).

- Si la hotte s'est éteinte au cours du fonctionnement normal :

Vérifier que :

- il n'y a pas de coupure de courant.

- le dispositif de coupure omnipolaire ne s'est pas déclenché.

En cas d'anomalie de fonctionnement, débrancher pendant au moins 5 s. l'appareil de l'alimentation électrique en extrayant la fiche et le rebrancher, avant de contacter le service d'assistance. Si l'anomalie persiste, contacter le service d'assistance.

DONNÉES TECHNIQUES

Hauteur (cm)	Largeur (cm)	Profondeur (cm)	Ø du tuyau d'évacuation (cm)
110-129,5	89,8	32	15

CE

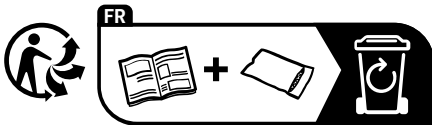
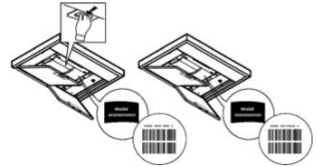


Composants non fournis avec le produit



Pour télécharger les consignes de sécurité, la notice d'utilisation, la fiche technique et les données énergétiques :

- Visitez le site Internet docs.whirlpool.eu
- Utilisez le code QR
- Ou **contacter le Service d'Assistance** (au numéro de téléphone indiqué sur le livret de garantie). En cas de contact du Service d'Assistance, indiquez les codes présents sur la plaque signalétique du produit.



ALGEMENE VEILIGHEID

- Breng op het product of op de afvoerkanalen geen elektrische of mechanische wijzigingen aan. • Voordat er werkzaamheden voor reiniging of onderhoud worden uitgevoerd, moet het product worden losgekoppeld van het elektriciteitsnet door de stekker te verwijderen of de hoofdschakelaar van de woning uit te schakelen.
- Draag tijdens alle werkzaamheden voor de installatie en het onderhoud altijd werkhandschoenen. • Het product mag gebruikt worden door kinderen vanaf 8 jaar en door personen met verminderde lichamelijke, zintuiglijke of geestelijke vermogens, of personen die niet beschikken over de noodzakelijke ervaring en kennis, mits ze onder toezicht staan of nadat ze aanwijzingen hebben ontvangen inzake het veilige gebruik van het apparaat en ze de bij het gebruik betrokken gevaren begrepen hebben. • Kinderen moeten onder toezicht staan om ervoor te zorgen dat ze niet met het product spelen. • De reiniging en het onderhoud mogen niet worden uitgevoerd door kinderen zonder dat ze onder toezicht staan. • Als het product gelijktijdig wordt gebruikt met andere apparaten die gas of andere brandstoffen verbranden, moet de ruimte beschikken over een voldoende ventilatie. • Het apparaat moet zowel aan de binnen- als de buitenkant regelmatig worden gereinigd (TEN MINSTE EENMAAL PER MAAND), en neem daarbij in ieder geval de uitdrukkelijk aangegeven onderhoudsvorschriften in acht. • De niet-naleving van de normen voor reiniging van het product en voor de vervanging/reiniging van de filters vormt een gevaar voor brand. • Het is ten strengste verboden om onder het product voedingsmiddelen boven de vlam te bereiden. • **OPGELET:** Tijdens de werking van de kookplaat kunnen de bereikbare delen van het product heet worden. • Sluit het product niet aan op het elektriciteitsnet tot de installatie volledig is voltooid. • Voor wat betreft de toe te passen technische maatregelen en veiligheidsmaatregelen voor de afvoer van de dampen moet de regelgeving van de plaatselijke bevoegde instanties strikt in acht worden genomen. • De afgezogen lucht mag niet in een kanaal worden geleid dat gebruikt wordt voor de afvoer van de dampen geproduceerd door apparaten die gas of andere brandstoffen verbranden. • Gebruik het product niet en laat het niet zonder correct gemonteerde lampen, in verband met het mogelijk risico op elektrische schokken. • Het product mag NOOIT zonder correct gemonteerd rooster gebruikt worden. • Het product mag NOOIT gebruikt worden als steunvlak, tenzij uitdrukkelijk aangegeven.
- Gebruik voor de installatie alleen de bij het product geleverde bevestigingsschroeven; indien deze niet worden bijgeleverd, moet het geschikte type schroef worden aangeschaft. Gebruik een correcte lengte voor de schroeven zoals beschreven in de handleiding voor installatie.
- **Opgelet!** Als schroeven en bevestigingselementen niet in overeenstemming met deze aanwijzingen worden geïnstalleerd, kan dit leiden tot risico's van elektrische aard.

- Gebruik voor de vervanging van de lampen uitsluitend het type lamp aangegeven in het hoofdstuk betreffende het onderhoud/verlichtingssysteem van deze handleiding.
- Het gebruik van open vuur is schadelijk voor de filters, vormt een gevaar voor brand en moet derhalve altijd vermeden worden.
- Frituren moet altijd onder toezicht gebeuren om te voorkomen dat de olie oververhit raakt en vlam vat.
- Neem in geval van twijfel contact op met het erkende servicecentrum of vergelijkbaar gekwalificeerd personeel.

Opgelet! Maak geen gebruik van een ander programmeringssysteem, timer, afstandsbediening of ander apparaat dat automatisch wordt geactiveerd.

- De minimale afstand tussen het oppervlak waarop de pannen op het kooktoestel worden geplaatst en het laagste gedeelte van de afzuigkap mag niet minder dan zijn de 50 cm in geval van elektrische fornuizen, of 65 cm in geval van gas- of combifornuizen.

Als de installatie-aanwijzingen van het gaskooktoestel een grotere afstand aangegeven, moet deze in acht worden genomen.

Houd kinderen jonger dan 3 jaar uit de buurt van het apparaat. Houd kinderen jonger dan 8 jaar uit de buurt van het apparaat, tenzij ze onder voortdurend toezicht staan van een volwassene.

⚠ OPGELET: het apparaat is niet bedoeld om in werking te worden gesteld door middel van een extern apparaat of een apart systeem voor bediening op afstand.

⚠ Dit apparaat is niet bedoeld voor een professioneel gebruik. Gebruik het apparaat niet in de open lucht.

⚠ Om het risico op persoonlijk letsel te voorkomen, moet het apparaat door twee of meer personen verplaatst en geïnstalleerd worden.

⚠ De installatie, waaronder ook de eventuele aansluiting op de waterleiding (indien voorzien) en de elektrische aansluitingen, evenals de reparatie-ingrepen moeten worden uitgevoerd door gekwalificeerd personeel.

Na het voltooiën van de installatie moet het verpakkingsmateriaal (plastic, polystyreen, enz.) buiten het bereik van kinderen bewaard worden om verstikkingsgevaar te voorkomen.

Gebruik het apparaat niet wanneer u nat bent of op blote voeten.

Gebruik voor de reiniging nooit stoomreinigers - gevaar voor elektrische schokken.

Het verpakkingsmateriaal is 100% recycleerbaar en is gemarkeerd met het betreffende symbool 

Het apparaat kan anders uitzien dan op de tekeningen in dit boekje, maar de gebruiks-, onderhouds- en installatie-instructies blijven hetzelfde.

Neem de aanwijzingen van deze handleiding strikt in acht. Wij aanvaarden geen aansprakelijkheid voor eventuele problemen, schade of brand, veroorzaakt door het apparaat als gevolg van de niet-naleving van de aanwijzingen van deze handleiding. Het apparaat is uitsluitend bedoeld voor een huishoudelijk gebruik, voor het koken van voedingsmiddelen en het afzuigen van de dampen van het kookproces. Ander gebruik is niet toegestaan (bijv. het verwarmen van omgevingen). De fabrikant aanvaardt geen aansprakelijkheid voor een oneigenlijk gebruik of voor verkeerde instellingen van de bedieningselementen.

- Lees de instructies aandachtig door: deze bevatten belangrijke informatie over de installatie, het gebruik en de veiligheid.
- Breng geen elektrische wijzigingen aan het apparaat aan.
- Voorafgaand aan de installatie van het apparaat moet gecontroleerd worden dat alle onderdelen onbeschadigd zijn. Neem anders contact op met uw leverancier en ga niet verder met de installatie.
- Het is belangrijk om alle handleidingen van het product te bewaren zodat ze op elk moment geraadpleegd kan worden. In geval van verkoop, overdracht of verhuizing moeten de handleidingen het product begeleiden.

ELEKTRISCHE AANSLUITING

De netspanning moet voldoen aan de spanning aangegeven op het typeplaatje aangebracht aan de binnenkant van de afzuigkap. Indien voorzien van een stekker, moet de afzuigkap worden aangesloten op een geschikt stopcontact dat aan de geldende normen voldoet, geplaatst op een ook na de installatie bereikbare plek. Indien niet voorzien van een stekker (rechtstreekse aansluiting op het elektriciteitsnet), of als de stekker zich niet op een bereikbare plek bevindt, moet een goedgekeurde tweepolige schakelaar worden voorzien die de volledige loskoppeling van het elektriciteitsnet garandeert onder de omstandigheden van overspanningscategorie III, in overeenstemming met de installatievoorschriften.

- **Opgelet!** Voordat het circuit weer op de netvoeding wordt aangesloten en de correcte werking ervan wordt gecontroleerd, moet altijd gecontroleerd worden of het netsnoer correct gemonteerd is.

Maak geen gebruik van verlengsnoeren, verdeelstekkers of adapters.

Spanning en frequentie van het elektriciteitsnet

Verwijs naar de waarde aangegeven op het typeplaatje dat is aangebracht in de afzuigkap.

Aansluiting draden

: geel/groen

N: blauw

L: bruin

Vervanging van de voedingskabel

De afzuigkap heeft een speciale voedingskabel; in geval de kabel beschadigd is, vraag dan een vervangend onderdeel aan de technische service.

AFVOER VAN DE LUCHT

(voor afzuigversies)

Verbind de afzuigkap met afvoerpijpen en -openingen in de muur, met een diameter die gelijk moet zijn aan de luchtuitlaat (koppelingsflens).

Het gebruik van afvoerpijpen en -openingen met een kleinere diameter veroorzaken een verminderde prestatie van de afzuiging en een aanzienlijke toename van het geluidsniveau.

In deze gevallen aanvaarden wij derhalve geen enkele aansprakelijkheid.

! Gebruik een zo kort mogelijke pijp.

! Gebruik een pijp met zo weinig mogelijk bochten (maximale hoek van de bocht: 90°).

! Vermijd drastische wijzigingen in de doorsnede van de pijp.

! Het bedrijf aanvaardt geen aansprakelijkheid als niet aan deze normen wordt voldaan.

FILTER- OF AFZUIGVERSIE?

! Uw afzuigkap is klaar voor gebruik in de afzuigversie.

Om de afzuigkap in de filterversie te gebruiken, moet een speciale ACCESSOIRESET geïnstalleerd worden.

Controleer op de eerste pagina's van deze handleiding of de ACCESSOIRESET reeds wordt bijgeleverd of apart moet worden aangeschaft.

Opmerking: Indien bijgeleverd, zou het extra filtratiesysteem op basis van actieve kool in enkele gevallen reeds op de afzuigkap geïnstalleerd kunnen zijn.

Informatie inzake de ombouw van de afzuigkap van de afzuigversie naar de filterversie is reeds in deze handleiding opgenomen.

Afzuigversie

De dampen worden naar buiten afgevoerd via een afvoerpijp bevestigd op de koppelingsflens.

⚠ OPGELET

De afvoerpijp maakt geen deel uit van de levering en moet apart worden aangeschaft.

De diameter van de afvoerpijp moet gelijk zijn aan die van de koppelingsring.

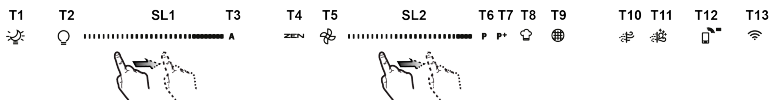
Als de afzuigkap is voorzien van actiefkoolfilter(s), moeten deze verwijderd worden.

Filterversie

De aangezogen lucht wordt ontvet en ontgeurd alvorens ze weer in de ruimte wordt teruggebracht. Om de afzuigkap in deze versie te gebruiken, moet een extra filtratiesysteem op basis van actieve kool geïnstalleerd worden.

BEDIENINGSELEMENTEN

De afzuigkap is voorzien van een bedieningspaneel met een bediening van de afzuigsnelheid en een bediening voor de inschakeling van de verlichting van de kookplaat.



T1. ON/OFF "Night Light"

T2. ON/OFF verlichting kookplaat – Selectie kleurtemperatuur

T3. Werking "Autolight"

T4. Werking "ZEN Mode"

T5. ON/OFF Motor

T6. Werking "POWER BOOST 1"

T7. Werking "POWER BOOST 2"

T8. Automatische werking "COOKSENSE"

T9. Indicator verzadiging filters

T10. ON/OFF werking "Breath Daily Cycle"

T11. ON/OFF werking "Breath Intensive Cycle"

T12. Verlichte indicator actieve functie Wifi

T13. Wifiverbinding

T1. ON/OFF "NIGHT LIGHT"

Druk om de gedempte omgevingsverlichting in/uit te schakelen.

T2. ON/OFF VERLICHTING KOOKPLAAT – SELECTIE KLEURTEMPERATUUR

Druk om de verlichting van de kookplaat in/uit te schakelen

• Raak, bij ingeschakelde verlichting, de ledstrip **SL1** aan en beweeg de vingers naar rechts of naar links om respectievelijk de verlichtingsintensiteit te verhogen of te verlagen.

Druk nogmaals (lang) om de kleurtemperatuur van de verlichting in te stellen.

• Verplaats de vingers naar rechts of naar links over de ledstrip **SL1** om een koudere of warmere kleur van de verlichting in te stellen. Als er gedurende 5 seconden geen veranderingen van de kleur zijn, zal **SL1** knipperen op het ingestelde kleurniveau en klinkt er een geluidssignaal om te bevestigen dat het systeem de ingestelde configuratie heeft opgeslagen.

Opmerking: de verlichting wordt ingeschakeld met de kleur die voorafgaand aan de uitschakeling als laatste werd ingesteld.

T3. WERKING "AUTOLIGHT"

Druk om de functie voor automatische verlichting "Autolight" in/uit te schakelen.

Opmerking: De functie wordt alleen ingeschakeld als de afzuigkap via wifi met de kookplaat is verbonden. Na de inschakeling van de functie wordt de verlichting van de kookplaat automatisch beheerd op basis van de status van de verbonden kookplaat.

T4. WERKING “ZEN MODE”

Druk om de afzuigmodus “ZEN” in/uit te schakelen.

Met deze functie is het mogelijk om een afzuigsnelheid te activeren die het beste compromis vormt tussen stille en zuigkracht.

T5. ON/OFF MOTOR

Druk om de afzuigmotor in/uit te schakelen.

• Verplaats bij ingeschakelde motor de vingers naar rechts of links over de ledstrip **SL2** om respectievelijk de afzuigsnelheid (vermogen) te verhogen of te verlagen.

T6. WERKING “POWER BOOST 1”

Druk bij ingeschakelde afzuigmotor op T6 om de intensieve afzuigsnelheid (vermogen) “POWER BOOST 1” (getimed) in te schakelen.

Opmerking: De afzuigkap zal na 5 minuten de eerder ingestelde snelheid hervatten

T7. WERKING “POWER BOOST 2”

Druk bij ingeschakelde afzuigmotor op T7 om de intensieve afzuigsnelheid (vermogen) “POWER BOOST 2” (getimed) in te schakelen.

Opmerking: De afzuigkap zal na 5 minuten de eerder ingestelde snelheid hervatten.

T8. AUTOMATISCHE WERKING “COOKSENSE”

De afzuigkap stelt automatisch de afzuigsnelheid (vermogen) **1** in om deze vervolgens te verhogen als de door de sensor van de afzuigkap gedetecteerde omgevingsomstandigheden dat vereisen.

Als de omgevingsomstandigheden niet wijzigen, zal de afzuigkap na 5 minuten (mits de afzuigkap zich al in de afzuigsnelheid (vermogen) **1**) bevindt, uitschakelen.

Opmerking: voor een correct gebruik van deze functie moet eerst de “Regeling van de parameters voor de automatische werking” worden uitgevoerd (zie de betreffende paragraaf).

Opmerking: als de gebruiker tijdens de automatische werking andere functies gebruikt die de snelheid regelen, wordt de functie automatische ventilatie uitgeschakeld.

T9. INDICATOR VERZADIGING FILTERS

De afzuigkap signaleert met regelmatige intervallen dat het onderhoud van de filters moet worden uitgevoerd.

Opmerking: de indicatoren worden bij ingeschakelde afzuigkap geactiveerd.

Toets **T9** brandt: voer het onderhoud van het vetfilter uit.

Toets **T9** knippert: voer het onderhoud van het actieve koolstoffilter uit.

Reset indicatoren verzadiging filters:

Opmerking: deze handeling moet bij ingeschakelde afzuigkap worden uitgevoerd.

Druk lang op de toets **T9**; het lampje gaat uit om de uitgevoerde reset te bevestigen.

Activering indicator verzadiging actief koolfilter.

Opmerking: deze handeling moet bij uitgeschakelde afzuigmotor worden uitgevoerd.

Deze indicator is normaal gesproken uitgeschakeld en moet geactiveerd worden in geval de afzuigkap in de filterversie wordt gebruikt, dus als het koolstoffilter aanwezig is.

Druk gelijktijdig en lang op de toetsen **T1** en **T10** om de functie te activeren: de toetsen worden verlicht om de activering te bevestigen.

Druk voor de uitschakeling van de functie nogmaals lang op dezelfde toetsen (**T1** en **T10**): de toetsen zullen kort knipperen en gaan dan uit om de deactivering te bevestigen.

T10. ON/OFF WERKING “BREATH DAILY CYCLE”

De afzuigkap stelt automatisch de afzuigsnelheid (vermogen) **1** in om deze vervolgens te verhogen als de door de sensor van de afzuigkap gedetecteerde omgevingsomstandigheden dat vereisen.

Als er geen wijzigingen van de afzuigsnelheid plaatsvinden zal de afzuigkap, afhankelijk van de gedetecteerde omgevingsomstandigheden, na 2 uur worden uitgeschakeld.

In elk geval wordt de afzuigkap na 5 uur geforceerd uitgeschakeld.

Opmerking: voor een correct gebruik van deze functie moet eerst de “Regeling van de parameters voor de automatische werking” worden uitgevoerd (zie de betreffende paragraaf).

T11. ON/OFF WERKING “BREATH INTENSIVE CYCLE“

De afzuigkap stelt automatisch de afzuignsnelheid (vermogen) 5 in om deze vervolgens te verhogen als de door de sensor van de afzuigkap gedetecteerde omgevingsomstandigheden dat vereisen.

Als er geen wijzigingen van de afzuignsnelheid plaatsvinden zal de afzuigkap, afhankelijk van de gedetecteerde omgevingsomstandigheden, na 2 uur worden uitgeschakeld.

In elk geval wordt de afzuigkap na 5 uur geforceerd uitgeschakeld.

Opmerking: voor een correct gebruik van deze functie moet eerst de “Regeling van de parameters voor de automatische werking” worden uitgevoerd (zie de betreffende paragraaf).

T12. VERLICHTE INDICATOR ACTIEVE FUNCTIE WIFI

De indicator gaat branden wanneer de afzuigkap op afstand via de app wordt bediend.

T13. WIFIVERBINDING

Druk om de functies WIFI te activeren/deactiveren.

Door middel van deze functie is het mogelijk om het product met internet te verbinden en de afzuigkap op afstand te bewaken/regelen door middel van een smartphone of tablet.

Om gebruik te maken van de functie WIFI moet het apparaat verbonden worden met het draadloze netwerk van de woning (Internet) volgens de configuratieprocedure beschreven onder de aanwijzingen van de “HANDLEIDING WIFI”.

REGELING VAN DE PARAMETERS VOOR DE AUTOMATISCHE WERKING

Voor een correct gebruik van de automatische werking moeten de “Kalibratie van de afzuigkap” en de “Selectie van de kookplaat” worden uitgevoerd.

Kalibratie van de afzuigkap

Opmerking: deze handeling moet worden uitgevoerd in de modus stand-by, dus 1 minuut na de uitschakeling van de motor. Houd de toets **T4** 5 seconden lang ingedrukt.

De afzuignsnelheid (vermogen) 1 begint te functioneren en de toets **T4** knippert om het begin van de kalibratie van de afzuigkap te bevestigen; deze duurt ongeveer 5 minuten.

Opmerking: houd, om de kalibratie te onderbreken, de toets **T4** 5 seconden lang ingedrukt; de kalibratie zal niet geldig zijn en moet derhalve herhaald worden.

Opmerking: bij de eerste inschakeling van het product wordt de kalibratie automatisch uitgevoerd: **T4** knippert; wacht vervolgens 5 minuten tot de kalibratie is voltooid.

Selectie van de kookplaat

Opmerking: deze handeling moet worden uitgevoerd in de modus stand-by, dus 1 minuut na de uitschakeling van de motor. Houd de toets **T10+T11** 5 seconden lang ingedrukt.

De toetsen **T10** en **T11** gaan branden.

Druk op de toets **T10** in geval van kookgasplaat - de toets knippert om de uitgevoerde selectie te bevestigen.

Druk op de toets **T11** in geval van elektrische kookplaat - de toets knippert om de uitgevoerde selectie te bevestigen.

De ingedrukte toets knippert 3 seconden om te bevestigen dat de selectie is gememoriseerd.

INSTRUCTIES VOOR DE WIFI VERBINDING

BEDIENING OP AFSTAND/CONFIGURATIEPROCEDURE VAN DE APP “Whirlpool 6th Sense Live”

Met de **Whirlpool 6th Sense Live app** is het mogelijk het apparaat op afstand in te schakelen en te bedienen via een extern apparaat. Om het apparaat in te schakelen voor bediening op afstand, moet de configuratieprocedure voor connectiviteit worden uitgevoerd. Deze procedure is nodig om het apparaat te registreren en te verbinden met het thuisnetwerk. De configuratieprocedure hoeft slechts eenmaal te worden uitgevoerd. De procedure moet alleen opnieuw worden uitgevoerd als de eigenschappen van de router (netwerknnaam, wachtwoord of dataprovider) veranderen.

1.1 ALVORENS DE CONFIGURATIEPROCEDURE TE STARTEN

1. Voor het uitvoeren van de procedure heeft u nodig: Een smartphone of tablet met Android 7.0 (of hoger) besturings-systeem, of een iPad of iPhone met iOS 11 (of hoger) besturings-systeem; • Een wifi b/g/n 2,4 Ghz router met internet-verbinding (controleer met uw smartphone of tablet of de signaalsterkte van uw draadloze thuisnetwerk in de buurt van het apparaat toereikend is).

2. Download en installeer de gratis Whirlpool 6th Sense Live app van de online store op uw Android smartphone of tablet of op uw iPad/iPhone. De app geeft alle nodige instructies voor de installatieprocedure. Als u nog geen account heeft, maak er dan een aan en registreer u voor de service (door de wettelijke voorwaarden te aanvaarden) om gebruik te kunnen maken van de functies die in de app beschikbaar zijn.
3. Registreer uw apparaat aan de hand van de instructies van de app. Voor het registratieproces is de SAID-code (Smart Appliance Identifier) op het etiket van het apparaat nodig. De SAID-code is een combinatie van cijfers en letters (10 tekens). Noteer hier de SAID-code van uw apparaat:

SAID

1.2 ALVORENS DE CONFIGURATIEPROCEDURE TE STARTEN

- Zet de router aan voordat u met de installatie begint en controleer of het draadloze signaal van uw thuisnetwerk het apparaat bereikt. Om de sterkte van het wifi-signaal te controleren, gebruikt u een tablet of smartphone die alleen op de wifi-router is aangesloten, schakelt u alle andere verbindingen uit en brengt u het apparaat dichtbij. Open een willekeurige internetpagina in een browser en controleer of deze snel en correct wordt gedownload. Als de internetverbinding thuis goed werkt, maar de pagina niet wordt gedownload, moet mogelijk een wifi-extender (niet meegeleverd met het apparaat) worden geïnstalleerd.
- Als de router WPS 2.0 (of recentere versies) ondersteunt, volg dan de automatische configuratieprocedure om het apparaat met de router te verbinden. Volg, wanneer de router geen WPS ondersteunt, de handmatige configuratieprocedure

Volg de instructies in de Whirlpool 6th Sense Live app die op uw tablet of smartphone verschijnen om het apparaat met uw wifi-netwerk te verbinden.

Of voer een van de automatische of handmatige verbindingprocedures uit die in de volgende paragrafen worden beschreven.

1.2.1 AANWIJZINGEN VOOR DE AUTOMATISCHE CONFIGURATIE (EERSTE GEBRUIK)– WPS-METHODE

Deze procedure kan alleen worden gebruikt als de router WPS 2.0 (of latere versies) ondersteunt

1. Op het apparaat activeert u het zoekproces door drie seconden op de verbindingstoets te drukken (u hoort een bevestigingspiepton). Het apparaat wordt ingesteld in de "zoek"-modus naar een lokaal netwerk. Het verbindingspictogram op het toestel begint snel te knippen.
2. Druk, op de wireless router, op de WPS-knop om een verbinding tussen de twee producten tot stand te brengen. Een indicatielampje op de router begint te knippen.
3. Wanneer het apparaat verbinding maakt met de lokale router, begint het wifi-pictogram langzamer te knippen (deze voorziening wordt niet op alle apparaten ondersteund).
4. Het apparaat probeert verbinding te maken met het back-endsysteem. Het symbool connectiviteit blijft continu branden. Als het symbool WIFI na enkele minuten nog steeds knippert, betekent dit dat het apparaat er niet in is geslaagd om via WPS een verbinding met het thuisnetwerk tot stand te brengen. Probeer de procedure te herhalen; als de procedure niet slaagt, gebruik dan de handmatige configuratieprocedure.
5. De verbindingprocedure met het wifi-netwerk kan worden onderbroken door op de verbindingstoets te drukken.

1.3 DEACTIVEREN / ACTIVEREN VAN DE WIFI-VERBINDING

Om de verbinding van het apparaat met het wifi-netwerk uit te schakelen, drukt u gedurende 5 seconden op de verbindingstoets (u hoort een bevestigingspiepton). Het wifi-pictogram op het display van het apparaat zou nu uit moeten gaan.

Om de wifi-verbinding van het apparaat opnieuw te activeren, drukt u op de wifi-toets op het product.

Zodra de verbinding is geconfigureerd, kunt u deze deactiveren en het apparaat loskoppelen van het wifi-netwerk door 10 seconden op de verbindingstoets te drukken (er klinken twee bevestigingspieptonen, de eerste na 5 seconden en de tweede na 10 seconden).

Het wifi-pictogram op het display van het apparaat zou nu uit moeten gaan.

Om het apparaat opnieuw met het wifi-thuisnetwerk te verbinden, volgt u de procedure beschreven in het hoofdstuk

"Vorbereiding van de configuratie".

1.4 AANWIJZINGEN VOOR DE HANDMATIGE CONFIGURATIE (EERSTE GEBRUIK) - MICRO ACCESS POINT-METHODE

Deze procedure maakt gebruik van de technologie Micro Access Point en kan gebruikt worden voor routers die geen WPS ondersteunen.

1. Noteer, voorafgaand aan de configuratieprocedure, de naam (SSID) en het wachtwoord van het thuisnetwerk en de SAID-code van het apparaat. Deze gegevens zijn noodzakelijk tijdens de installatieprocedure.
2. Schakel de router in, controleer of de Internetverbinding actief is en verbind uw smartphone/tablet met het wifi-netwerk.
3. Activeer het herkenningsproces op het apparaat door de toets connectiviteit 5 seconden in te drukken (u hoort twee geluidssignalen ter bevestiging, het eerste na 3 seconden en het tweede na 5 seconden) • het symbool van het wifi-netwerk op de interface van het apparaat moet beginnen te knipperen.
4. Scan de QR-code op het label dat aan het apparaat is bevestigd; vanaf dat moment geeft de Whirlpool 6th Sense Live app gedetailleerde instructies voor het uitvoeren van de procedure. Opmerking: Onder bepaalde omstandigheden kan de app mogelijk vragen om het type apparaat aan te geven: selecteer in dit geval Afzuigkap.
5. Na het tot stand brengen van de verbinding moet het symbool WIFI op het apparaat stoppen met knipperen en continu blijven branden. Anders moet het apparaat worden losgekoppeld en weer worden aangesloten op het elektriciteitsnet en moet de procedure herhaald worden.
6. De configuratieprocedure is voltooid.

1.5 BEDIENING OP AFSTAND / DAGELIJKS GEBRUIK

Deze functie is alleen geïmplementeerd op bepaalde typen apparaten.

1. Zorg ervoor dat de router is ingeschakeld en verbonden met het internet.
2. Controleer of het statuslampje van de wifi-verbinding op het display van het product permanent brandt.
3. Met de **Whirlpool 6th Sense Live** app kunt u het apparaat op afstand bedienen; het biedt met name de mogelijkheid om:
 - het apparaat te bedienen en verschillende opties te activeren, zelfs wanneer u niet thuis bent.
 - toegang te hebben tot extra functies, zoals de Smart Energy-modus
 - het energieverbruik te optimaliseren, bijvoorbeeld door gebruik te maken van de meest geschikte tijdstippen.
 - toegang te hebben tot aanvullende informatie over het gebruik van het apparaat.
 - de status van het apparaat en eventuele onderhoudsvereisten (bijv. vervangen van filters) te controleren.
 - De afzuigkap te synchroniseren met de compatibele pyrolytische kookplaat en oven, zodat het apparaat volledig automatisch wordt geactiveerd.

1.6 SNELLE IDENTIFICATIE VAN DE VERBINDINGSSTATUS VAN HET APPARAAT

Als het statuslampje van de wifi-verbinding op het display van het apparaat snel knippert, betekent dit dat het apparaat verbinding probeert te maken met de router. Als het daarentegen langzaam knippert, betekent dit dat het apparaat verbonden is met de router, maar geen verbinding kan maken met het internet (bijv. omdat het ADSL-netwerk niet werkt); sommige typen apparaten hebben deze functie van het knipperen met verschillende snelheden niet.

Als het lampje continu brandt, betekent dit dat het apparaat verbonden is met het internet en het Whirlpool cloud-systeem.

1.7 VEELGESTELDE VRAGEN OVER DE WIFI-VERBINDING

Welke wifi-protocollen worden ondersteund?

De geïnstalleerde wifi-adaptor ondersteunt wifi-b/g/n-connectiviteit voor Europese landen.

Welke instellingen moet ik in de software van de router configureren?

De volgende instellingen zijn vereist voor de router: 2,4 GHz ingeschakeld, wifi b/g/n, DHCP en NAT ingeschakeld.

Welke versie van WPS wordt ondersteund?

WPS 2.0 of latere versies. Raadpleeg de documentatie van uw router.

Zijn er verschillen tussen Android en iOS smartphones (of tablets)?

Er is geen verschil, u kunt beide besturingssystemen gebruiken.

Is het mogelijk om tethering te gebruiken via een mobiele telefoonverbinding in plaats van een router?

Ja, maar de clouddiensten zijn ontwikkeld voor apparaten met een permanente verbinding.

Hoe kan ik controleren of mijn internetverbinding thuis operationeel is en of de draadloze functionaliteit is ingeschakeld?

U kunt in het netwerk zoeken naar uw smartphone. Schakel alle andere dataverbindingen uit voordat u dit probeert.

Hoe kunt u controleren of het apparaat verbonden is met uw wifi-thuisnetwerk?

Ga naar de configuratie van de router (zie de handleiding van de router) en controleer of het MAC-adres van het apparaat voorkomt in de lijst van verbonden draadloze apparaten.

Waar is het MAC-adres van het apparaat te vinden?

Rechtstreeks op het apparaat:

Zoek het etiket met de SAID- en MAC-adressen.

Het MAC-adres bestaat uit een combinatie van cijfers en letters die begint met "88:e7".

Hoe kan ik controleren of de draadloze functionaliteit van het apparaat is ingeschakeld?

Controleer met uw smartphone of tablet in de Whirlpool 6th Sense Live app of het netwerk van het apparaat zichtbaar is en verbonden met de cloud.

Wat kan verhinderen dat het signaal het apparaat bereikt?

Controleer of de aangesloten apparatuur de beschikbare bandbreedte niet volledig in beslag neemt.

Controleer of het aantal apparaten dat is ingeschakeld voor de wifi-verbinding niet hoger is dan de maximale limiet die door de router wordt ondersteund.

Wat moet de afstand zijn tussen de router en het apparaat?

Normaal gesproken heeft het wifi-sigitaal genoeg kracht om een paar kamers te bereiken, maar het werkelijke bereik hangt grotendeels af van het materiaal van de muur. U kunt de signaalsterkte controleren door uw smartphone of tablet dicht bij het apparaat te houden.

Wat kan er worden gedaan als de draadloze verbinding het apparaat niet bereikt?

U kunt specifieke apparaten gebruiken om het bereik van uw wifi-thuisnetwerk uit te breiden, bijvoorbeeld access points, wifi-repeaters en power-line bridges (niet meegeleverd met het apparaat).

Waar staan de naam en het wachtwoord van het draadloze netwerk?

Raadpleeg de documentatie van uw router. Normaal gesproken wordt er een label op de router geplakt met de vereiste informatie om toegang te krijgen tot de configuratiepagina met behulp van een aangesloten apparaat.

Wat kan worden gedaan als de router het wifi-kanaal van de buurman gebruikt?

Forceer de router om het wifi-kanaal van het huis te gebruiken.

Wat kunt u doen als het statuslampje van de verbinding langzaam blijft knipperen en niet constant blijft branden, of als er geen stabiele verbinding met de thuisrouter tot stand kan worden gebracht?

Het is mogelijk dat het apparaat verbinding maakt met de router, maar geen toegang heeft tot het internet. Controleer de instellingen van de router en/of de lijn om het apparaat met het internet te verbinden.

Instellingen van de router: NAT moet actief zijn, Firewall en DHCP moeten correct geconfigureerd zijn. Ondersteunde coderingstypes voor wachtwoorden: WEP, WPA, WPA2. Als u een ander type codering wilt gebruiken, raadpleeg dan de handleiding van uw router.

Instellingen van de lijn: als uw internetprovider het aantal MAC-adressen heeft ingesteld dat verbinding kan maken met internet, kunt u het apparaat mogelijk niet verbinden met de cloud.

Het MAC-adres is een unieke identificatie en is voor elk apparaat anders. U moet uw provider vragen welke procedure u moet volgen om andere apparaten dan computers met het internet te verbinden.

Hoe kan worden gecontroleerd of gegevens worden verzonden?

Schakel na het instellen van het netwerk het apparaat uit, wacht 20 seconden en schakel het weer in: controleer of de app de status van de gebruikersinterface van het apparaat weergeeft.

Bij sommige instellingen duurt het enkele seconden voordat ze in de app verschijnen.

Kan de Whirlpool 6th account gewijzigd worden terwijl de apparaten aangesloten blijven?

U kunt een nieuwe account aanmaken, maar u moet niet vergeten de koppeling van uw apparaten met de oude account te herroepen alvorens ze te koppelen aan de nieuwe account.

Wat moet ik doen als ik van router verander?

U kunt dezelfde configuratieparameters behouden (netwerknaam en wachtwoord) of de vorige instellingen van het apparaat wissen en de configuratieprocedure herhalen.

ONDERHOUD

• **Reiniging:** Gebruik voor de reiniging uitsluitend een met neutrale reinigingsmiddelen bevochtigde doek. Gebruik voor de reiniging geen gereedschappen of instrumenten.

✘ **A Vetfilter:** Het vetfilter moet eenmaal per maand gereinigd worden (of als het systeem voor de verzadiging van de filters - indien aanwezig op uw model - dit aangeeft), met milde reinigingsmiddelen, met de hand of in de vaatwasser bij lage temperatuur en een kort cyclus. Het kan gebeuren dat het wassen in de vaatwasser het metalen vetfilter verkleurt maar de filter-eigenschappen zullen absoluut niet wijzigen.

• Het vetfilter vangt de van het kookproces afkomstige vetdeeltjes op. Het kan gebeuren dat het wassen in de vaatwasser het metalen vetfilter verkleurt maar de filter-eigenschappen zullen absoluut niet wijzigen.

- ✘ **B Koolfilter (alleen voor filterversie):** Het filterelement moet maximaal om de vier maanden worden vervangen. Dit element kan NIET gewassen of geregenereerd worden. Zoals aangegeven in het deel met de tekeningen: verwijder de vetfilters, breng één koolstoffilter per zijde aan en haak ze vast aan het product. Plaats de vetfilters terug.

Verlichting

• Het verlichtingssysteem is gebaseerd op de led-technologie. Leds garanderen een optimale verlichting en gaan maximaal 10 keer langer mee dan traditionele lampen, terwijl er 90% elektriciteit wordt bespaard.

- **Verlichtingssysteem :** Het verlichtingssysteem mag niet door de gebruiker vervangen worden: neem in geval van storingen contact op met de servicedienst.

VERWIJDERING AAN EINDE LEVENSDUUR



Dit apparaat is gemarkeerd in overeenstemming met de Europese richtlijn 2012/19/EG - UK SI 2013 Nr.3113, Afgedankte Elektrische en Elektronische Apparatuur (AEEA).

Zorg ervoor dat dit product op correcte wijze wordt afgevoerd. De gebruiker draagt bij aan het voorkomen van potentieel negatieve gevolgen voor het milieu en de gezondheid. Het op het product of op de begeleidende documenten aangegeven symbool geeft aan dat dit product niet behandeld mag worden als huishoudelijk afval, maar ingeleverd moet worden bij een erkend inzamelpunt voor de recycling van elektrische en elektronische apparaten. Verwerk het product in overeenstemming met de plaatselijke regelgeving voor afvalverwijdering. Voor meer informatie over de verwerking, het hergebruik en de recycling van dit product moet contact worden opgenomen met de plaatselijke instantie voor de inzameling van huishoudelijke apparaten of de winkel waar het product is aangekocht.



Het verpakkingsmateriaal is 100% recycleerbaar en is gemarkeerd met het betreffende symbool

REGELGEVING

Apparaat ontworpen, getest en geproduceerd in overeenstemming met de normen inzake de Veiligheid: EN/IEC 60335-1; EN/IEC 60335-2-31, EN/IEC 62233. Prestaties: EN/IEC 61591; ISO 5167-1; ISO 5167-3; ISO 5168; EN/IEC 60704-1; EN/IEC 60704-2-13; EN/IEC 60704-3; ISO 3741; EN 50564; IEC 62301. EMC: EN 55014-1; CISPR 14-1; EN 55014-2; CISPR 14-2; EN/IEC 61000-3-2; EN/IEC 61000-3-3.

STORINGEN VAN DE WERKING

Als het lijkt dat er iets niet naar behoren functioneert, verricht dan eerst de onderstaande eenvoudige controles alvorens u contact opneemt met de servicedienst:

- Als de afzuigkap niet functioneert:

Controleer:

- Dat er geen sprake is van een stroomuitval.

- Of er een snelheid is geselecteerd.

- Als de afzuigkap matig presteert:

Controleer:

- Of de geselecteerde snelheid voldoende is voor de hoeveelheid vrijgekomen dampen en stoom.

- Of de keuken voldoende geventileerd is om een goede luchttoevoer te garanderen.

- Dat het koolstoffilter niet versleten is (afzuigkap in filterversie).

- Als de afzuigkap tijdens de normale werking uitschakelt:

Controleer:

- dat er geen sprake is van een stroomuitval.

- dat de meerpolige stroomonderbreker niet heeft ingegrepen.

In geval van eventuele storingen, voordat u contact opneemt met de technische servicedienst, wordt aangeraden om het apparaat ten minste 5 sec. los te koppelen van het elektriciteitsnet door de stekker uit het stopcontact weg te nemen en het vervolgens weer aan te sluiten. Als de storing aanhoudt, neem dan contact op met de technische servicedienst.

TECHNISCHE GEGEVENS

Hoogte (cm)	Breedte (cm)	Diepte (cm)	Ø van de afvoerbuïs (cm)
110-129,5	89,8	32	15

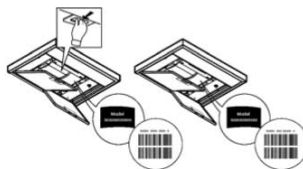


Niet bij het product geleverde componenten



Voor de download van de veiligheidsinstructies, de gebruikershandleiding, het technische gegevensblad en de energiegegevens:

- Ga naar de website docs.whirlpool.eu
- Gebruik de QR-code
- Of **neem contact op met de Klantenservice** (via het telefoonnummer aangegeven in het garantieboekje). Verstrek, bij contact met de Klantenservice, de codes aangegeven op het typeplaatje van het product.



SICUREZZA GENERALE

- Non effettuare variazioni elettriche o meccaniche sul prodotto o sulle condotte di scarico.
- Prima di qualsiasi operazione di pulizia o manutenzione, disinserire il prodotto dalla rete elettrica togliendo la spina o staccando l'interruttore generale dell'abitazione.
- Per tutte le operazioni di installazione e manutenzione utilizzare guanti da lavoro.
- Il prodotto può essere utilizzato da bambini di età non inferiore a 8 anni e da persone con ridotte capacità fisiche, sensoriali o mentali, o prive di esperienza o della necessaria conoscenza, purché sotto sorveglianza oppure dopo che le stesse abbiano ricevuto istruzioni relative all'uso sicuro dell'apparecchio e alla comprensione dei pericoli ad esso inerenti.
- I bambini devono essere controllati affinché non giochino con il prodotto.
- La pulizia e la manutenzione non deve essere effettuata da bambini senza sorveglianza.
- Il locale deve disporre di sufficiente ventilazione, quando il prodotto viene utilizzato contemporaneamente ad altri apparecchi a combustione di gas o altri combustibili.
- Il prodotto va frequentemente pulito sia internamente che esternamente (ALMENO UNA VOLTA AL MESE), rispettare comunque quanto espressamente indicato nelle istruzioni di manutenzione.
- L'inosservanza delle norme di pulizia del prodotto e della sostituzione/pulizia dei filtri comporta rischi di incendi.
- E' severamente vietato fare cibi alla fiamma sotto il prodotto.
- **ATTENZIONE:** Quando il piano di cottura è in funzione le parti accessibili del prodotto possono diventare calde.
- Non collegare il prodotto alla rete elettrica finché l'installazione non è totalmente completata.
- Per quanto riguarda le misure tecniche e di sicurezza da adottare per lo scarico dei fumi attenersi strettamente a quanto previsto dai regolamenti delle autorità locali competenti.
- L'aria aspirata non deve essere convogliata in un condotto usato per lo scarico dei fumi prodotti da apparecchi a combustione di gas o di altri combustibili.
- Non utilizzare o lasciare il prodotto privo di lampade correttamente montate per possibile rischio di scossa elettrica.
- Il prodotto non va MAI utilizzato senza griglia correttamente montata.
- Il prodotto non va MAI utilizzato come piano di appoggio a meno che non sia espressamente indicato.
- Utilizzare solo le viti di fissaggio in dotazione con il prodotto per l'installazione o, se non indotazione, acquistare il tipo di viti corretto. Utilizzare la lunghezza corretta per le viti che sono identificati nella Guida all'installazione.
- **Attenzione!** La mancata installazione di viti e dispositivi di fissaggio in conformità di queste istruzioni può comportare rischi di natura elettrica.
- Per la sostituzione della lampada utilizzare solo il tipo lampada indicato nella sezione manutenzione /sistema di illuminazione di questo manuale.
- L'impiego di fiamma libera è dannoso ai filtri e può dar luogo ad incendi, pertanto deve essere evitato in ogni caso.
- La frittura deve essere fatta sotto controllo onde evitare che l'olio surriscaldato prenda fuoco.
- In caso di dubbio, consultare il centro di assistenza autorizzato o personale qualificato similare.

Attenzione! Non utilizzare con un programmatore, timer, telecomando separato o qualsiasi altro dispositivo che si attiva automaticamente.

• La distanza minima fra la superficie di supporto dei recipienti sul dispositivo di cottura e la parte più bassa della cappa da cucina deve essere non inferiore a 50 cm in caso di cucine elettriche e di 65 cm in caso di cucine a gas o miste.

Se le istruzioni di installazione del dispositivo di cottura a gas specificano una distanza maggiore, bisogna tenerne conto.

Tenere i bambini di età inferiore a 3 anni lontani dall'apparecchio. Senza la sorveglianza costante di un adulto, tenere l'apparecchio fuori dalla portata dei bambini di età inferiore a 8 anni.

⚠ ATTENZIONE: l'apparecchio non è destinato ad essere messo in funzione mediante un dispositivo esterno o un sistema di comando a distanza separato.

⚠ Questo apparecchio non è destinato all'uso professionale. Non utilizzare l'apparecchio all'aperto.


⚠ Per evitare il rischio di lesioni personali, l'apparecchio deve essere movimentato e installato da due o più persone.

⚠ L'installazione, comprendente anche eventuali raccordi per l'alimentazione idrica (se previsti) e i collegamenti elettrici, e gli interventi di riparazione devono essere eseguiti da personale qualificato.

A installazione completata, conservare il materiale di imballaggio (parti in plastica, polistirolo, ecc.) fuori della portata dei bambini per evitare il rischio di soffocamento.

Non utilizzare l'apparecchio quando si è bagnati oppure a piedi nudi.

Mai utilizzare apparecchi per pulizia a vapore – rischio di shock elettrico.

Il materiale dell'imballo è riciclabile al 100% ed è contrassegnato con il simbolo del riciclo 

L'apparecchio potrebbe avere estetiche differenti rispetto a quanto illustrato nei disegni di questo libretto, comunque le istruzioni per l'uso, la manutenzione e l'installazione rimangono le stesse.

Attenersi strettamente alle istruzioni riportate in questo manuale. Si declina ogni responsabilità per eventuali inconvenienti, danni o incendi provocati all'apparecchio derivati dall'inosservanza delle istruzioni riportate in questo manuale. L'apparecchio è destinato esclusivamente ad uso domestico per la cottura di alimenti e aspirazione dei fumi derivanti dalla cottura stessa. Non sono consentiti altri usi (es. riscaldare ambienti). Il fabbricante declina ogni responsabilità per usi non appropriati o per errate impostazioni dei comandi.

● Leggere attentamente le istruzioni: ci sono importanti informazioni sull'installazione, sull'uso e sulla sicurezza.

● Non effettuare variazioni elettriche sull'apparecchio.

● Prima di procedere all'installazione dell'apparecchio verificare che tutti i componenti non siano danneggiati. In caso contrario contattare il rivenditore e non proseguire con l'installazione.

● E' importante conservare tutti i manuali che accompagnano il prodotto per poterli consultare in ogni momento. In caso di vendita, di cessione o di trasloco, assicurarsi che restino insieme al prodotto.

COLLEGAMENTO ELETTRICO

La tensione di rete deve corrispondere alla tensione riportata sull'etichetta caratteristiche situata all'interno della cappa. Se provvista di spina allacciare la cappa ad una presa conforme alle norme vigenti posta in zona accessibile anche dopo l'installazione. Se sprovvista di spina (collegamento diretto alla rete) o la spina non è posta in zona accessibile, anche dopo installazione, applicare un interruttore bipolare a norma che assicuri la disconnessione completa della rete nelle condizioni della categoria di sovratensione III, conformemente alle regole di installazione.

● **Attenzione!** Prima di ricollegare il circuito all'alimentazione di rete e di verificarne il corretto funzionamento, controllare sempre che il cavo di rete sia stato montato correttamente.

Non utilizzare prolunghe, prese multiple o adattatori.

Tensione e frequenza della rete

Fare riferimento al valore indicato nella etichetta caratteristiche all'interno della cappa.

Collegamento fili

⚡: giallo/verde

N: blu

L: marrone

Sostituzione del cavo di alimentazione

La cappa è provvista di un cavo alimentazione speciale; in caso di danneggiamento del cavo, richiederlo al servizio assistenza tecnica.

SCARICO DELL'ARIA

(per le versioni aspiranti)

Collegare la cappa a tubi e fori di scarico a parete con diametro equivalente all'uscita d'aria (flangia di raccordo).

L'utilizzo di tubi e fori di scarico a parete con diametro inferiore determinerà una diminuzione delle prestazioni di aspirazione ed un drastico aumento della rumorosità.

Si declina perciò ogni responsabilità in merito.

! Usare un condotto lungo il minimo indispensabile.

! Usare un condotto con minor numero di curve possibile (angolo massimo della curva: 90°).

! Evitare cambiamenti drastici di sezione del condotto.

! L'azienda declina ogni responsabilità qualora queste norme non vengano rispettate.

FILTRANTE O ASPIRANTE?

! La vostra cappa è pronta per essere utilizzata in versione aspirante.

Per utilizzare la cappa in versione filtrante va installato l'apposito KIT ACCESSORIO.

Verificate nelle prime pagine di questo manuale se il KIT ACCESSORIO è già fornito a corredo o va acquistato a parte.

Nota: Se fornito a corredo, in alcuni casi, il sistema di filtraggio aggiuntivo a base di carboni attivi potrebbe essere già installato sulla cappa.

Le informazioni per la trasformazione della cappa da versione aspirante a versione filtrante sono già contenute in questomanuale.

Versione aspirante

I vapori vengono evacuati verso l'esterno tramite un tubo di scarico fissato alla flangia di raccordo.

⚠ ATTENZIONE

Il tubo di evacuazione non è fornito e va acquistato.

Il diametro del tubo di scarico deve essere equivalente al diametro dell'anello di connessione.

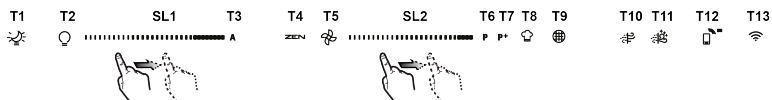
Se la cappa è provvista di filtro/i a carbone, questo/i deve/devono essere rimosso/i.

Versione filtrante

L'aria aspirata verrà sgrassata e deodorata prima di essere riconvogliata nella stanza. Per utilizzare la cappa in questa versione è necessario installare un sistema di filtraggio aggiuntivo a base di carboni attivi.

COMANDI

La cappa è fornita di un pannello comandi con un controllo delle velocità di aspirazione ed un controllo di accensione della luce per l'illuminazione del piano di cottura.



- T1. ON/OFF “Night Light”
- T2. ON/OFF luci piano cottura – Selezione temperatura di colore
- T3. Funzionamento “Autolight”
- T4. Funzionamento “ZEN Mode”
- T5. ON/OFF Motore
- T6. Funzionamento “POWER BOOST 1”
- T7. Funzionamento “POWER BOOST 2”
- T8. Funzionamento automatico “COOKSENSE”
- T9. Indicatore saturazione filtri
- T10. ON/OFF modalità di funzionamento “Breath Daily Cycle”
- T11. ON/OFF modalità di funzionamento “Breath Intensive Cycle”
- T12. Indicatore luminoso di funzione WI-FI attiva
- T13. Connessione WI-FI

T1. ON/OFF “NIGHT LIGHT”

Premere per accendere/spgnere l'illuminazione soffusa ambiente.

T2. ON/OFF LUCI PIANO COTTURA – SELEZIONE TEMPERATURA DI COLORE

Premere per accendere/spgnere l'illuminazione del piano cottura

- A luci accese, sfiorare la striscia led **SL1** con le dita verso destra o verso sinistra rispettivamente per aumentare o diminuire l'intensità della luce.

Premere nuovamente (a lungo) per impostare la temperatura di colore dell'illuminazione.

- Sfiurare la striscia led **SL1** con le dita verso destra o verso sinistra per impostare un colore di luce più freddo o più caldo. Se non ci sono cambiamenti di colore per 5 secondi, **SL1** lampeggia sul livello di colore impostato e un segnale acustico indica che il sistema ha salvato la configurazione impostata.

Nota: la luce si accende all'ultimo colore impostato prima dello spegnimento.

T3. FUNZIONAMENTO “AUTOLIGHT”

Premere per attivare /disattivare la funzione di illuminazione automatica “Autolight”.

Nota: La funzione si attiva solo quando la cappa è connessa in wi-fi al piano cottura. Una volta attivata la funzione, la luce piano cottura verrà gestita automaticamente in funzione dello stato del piano di cottura connesso.

T4. FUNZIONAMENTO “ZEN MODE”

Premere per attivare/disattivare la modalità di aspirazione “ZEN”.

Questa funzione permette di attivare una velocità di aspirazione che risulti il miglior compromesso fra silenziosità ed efficienza di aspirazione.

T5. ON/OFF MOTORE

Premere per accendere/spgnere il motore di aspirazione.

- A motore acceso, sfiorare la striscia led **SL2** con le dita verso destra o verso sinistra rispettivamente per aumentare o diminuire la velocità (potenza) di aspirazione.

T6. FUNZIONAMENTO “POWER BOOST 1”

Da motore di aspirazione acceso, premere T6 per attivare la velocità (potenza) di aspirazione intensiva “POWER BOOST 1” (temporizzata).

Nota: Dopo 5 minuti la cappa continua funzionare alla velocità precedentemente impostata

T7. FUNZIONAMENTO “POWER BOOST 2”

Da motore di aspirazione acceso, premere T7 per attivare la velocità (potenza) di aspirazione intensiva “POWER BOOST

2" (temporizzata).

Nota: Dopo 5 minuti la cappa continua funzionare alla velocità precedentemente impostata.

T8. FUNZIONAMENTO AUTOMATICO "COOKSENSE"

La cappa imposta automaticamente la velocità (potenza) di aspirazione **1** per poi aumentare se le condizioni ambientali rilevate dal sensore della cappa lo richiedono.

In assenza di variazioni delle condizioni ambientali, dopo 5 minuti (se la cappa è già in velocità (potenza) di aspirazione **1**), la cappa si spegne.

Nota: per un uso corretto di questo funzione eseguire prima la "Regolazione dei parametri per il Funzionamento automatico" (vedi paragrafo relativo).

Nota: durante il funzionamento automatico se l'utente agisce sulle altre funzioni che regolano la velocità, la funzione auto ventilazione si disattiva.

T9. INDICATORE SATURAZIONE FILTRI

Ad intervalli regolari la cappa segnala la necessità di eseguire la manutenzione dei filtri.

Nota: gli indicatori si attivano a cappa accesa.

Tasto **T9** acceso: eseguire la manutenzione del filtro grassi.

Tasto **T9** lampeggiante: eseguire la manutenzione del filtro carbone attivo.

Reset indicatori saturazione filtri:

Nota: questa operazione va eseguita a cappa accesa.

Premere a lungo il tasto **T9**; la luce si spegne ad indicare l'avvenuto reset.

Attivazione indicatore saturazione filtro al carbone attivo.

Nota: questa operazione va eseguita a motore di aspirazione spento.

Questo indicatore è normalmente disattivato ; va attivato in caso di installazione della cappa in versione filtrante, quindi in presenza dei filtri carbone.

Premere contemporaneamente i tasti **T1** e **T10** a lungo per attivare la funzione: i tasti si illuminano ad indicare l'avvenuta attivazione.

Per disattivare la funzione, premere nuovamente gli stessi tasti (**T1** e **T10**) a lungo: i tasti lampeggiano brevemente, per poi spegnersi, ad indicare l'avvenuta disattivazione.

T10. ON/OFF MODALITÀ DI FUNZIONAMENTO "BREATH DAILY CYCLE"

La cappa imposta automaticamente la velocità (potenza) di aspirazione **1** per poi aumentare se le condizioni ambientali rilevate dal sensore della cappa lo richiedono.

In assenza di variazioni della velocità di aspirazione, in base alle condizioni ambientali rilevate, dopo 2 ore, la cappa si spegne.

In ogni modo dopo 5 ore la cappa si disattiva comunque, forzatamente.

Nota: per un uso corretto di questo funzione eseguire prima la "Regolazione dei parametri per il Funzionamento automatico" (vedi paragrafo relativo).

T11. ON/OFF MODALITÀ DI FUNZIONAMENTO "BREATH INTENSIVE CYCLE"

La cappa imposta automaticamente la velocità (potenza) di aspirazione **5** per poi aumentare se le condizioni ambientali rilevate dal sensore della cappa lo richiedono.

In assenza di variazioni della velocità di aspirazione, in base alle condizioni ambientali rilevate, dopo 2 ore, la cappa si spegne.

In ogni modo dopo 5 ore la cappa si disattiva comunque, forzatamente.

Nota: per un uso corretto di questo funzione eseguire prima la "Regolazione dei parametri per il Funzionamento automatico" (vedi paragrafo relativo).

T12. INDICATORE LUMINOSO DI FUNZIONE WI-FI ATTIVA

L'indicatore si accende quando la cappa è controllata da remoto tramite App.

T13. CONNESSIONE WI-FI

Premere per attivare/disattivare le funzioni WI-FI.

Questa funzione permette di poter connettere il prodotto ad Internet e di monitorare/controllare a distanza la cappa attraverso uno smartphone o tablet.

Per utilizzare la funzione WI-FI è necessario collegare l'apparecchio alla rete wireless domestica (Internet) seguendo la procedura di configurazione descritta nelle istruzioni "MANUALE WI-FI".

REGOLAZIONE DEI PARAMETRI PER IL FUNZIONAMENTO AUTOMATICO

Ai fini di un uso corretto del funzionamento automatico eseguire la “Calibrazione della cappa” e la “Selezione del piano di cottura”.

Calibrazione della cappa

Nota: questa operazione va eseguita in condizione di standby, cioè dopo 1 minuto dallo spegnimento del motore Premere il tasto **T4** per 5 secondi.

La velocità (potenza) di aspirazione 1 inizia a funzionare ed il tasto **T4** lampeggia ad indicare che ha avuto inizio la calibrazione della cappa che durerà per 5 minuti circa.

Nota: per interrompere la calibrazione premere **T4** per 5 secondi; la calibrazione risulterà invalidata, e dovrà quindi essere ripetuta.

Nota: alla prima alimentazione del prodotto la calibrazione viene eseguita automaticamente: **T4** lampeggiante; quindi attendere 5 minuti che la calibrazione sia completata.

Selezione del piano di cottura

Nota: questa operazione va eseguita in condizione di standby, cioè dopo 1 minuto dallo spegnimento del motore Premere il tasto **T10+T11** per 5 secondi.

I tasti **T10** e **T11** si accendono.

Premere il tasto **T10** nel caso di piano di cottura a gas - il tasto lampeggia ad indicare l'avvenuta selezione.

Premere il tasto **T11** nel caso di piano di cottura elettrico - il tasto lampeggia ad indicare l'avvenuta selezione.

Il tasto premuto lampeggerà per 3 secondi, ad indicare che la selezione è stata memorizzata.

ISTRUZIONI PER LA CONNESSIONE WI-FI

CONTROLLO REMOTO/PROCEDURA DI CONFIGURAZIONE DELL'APPLICAZIONE “Whirlpool 6th Sense Live”

L'applicazione **Whirlpool 6th Sense Live** consente di azionare e controllare l'apparecchio a distanza da un dispositivo esterno. Per abilitare l'apparecchio al controllo remoto è necessario eseguire la procedura di configurazione della connettività. Questa procedura è necessaria per registrare l'apparecchio e collegarlo alla rete domestica. La procedura di configurazione deve essere eseguita una sola volta. Sarà necessario eseguirla nuovamente solo in caso di modifica delle proprietà del router (nome della rete, password o provider di dati).

1.1 PRIMA DI INIZIARE LA PROCEDURA DI CONFIGURAZIONE

1. Per eseguire la procedura è necessario disporre di: Uno smartphone o tablet con sistema operativo Android 7.0 (o superiore), oppure un Ipad o un iPhone con sistema operativo IOS 11 (o superiore); • un router WiFi b/g/n 2.4 Ghz collegato a Internet (verificare con lo smartphone o il tablet che l'intensità del segnale della rete wireless domestica sia buona nella zona dell'apparecchio).
2. Scaricare e installare l'applicazione gratuita Whirlpool 6th Sense Live sul proprio smartphone o tablet android oppure sull'iPAD/iPhone dallo store online. L'app fornirà tutte le istruzioni necessarie per la procedura di installazione. Se non si dispone ancora di un account, crearne uno e registrarsi al servizio (sottoscrivendo i termini legali) per poter usufruire delle funzionalità disponibili nell'app.
3. Registrare il proprio apparecchio seguendo le istruzioni dell'app. Per la procedura di registrazione sarà richiesto il codice SAID (Smart Appliance Identifier) riportato sull'etichetta dell'apparecchio. Il codice SAID è una combinazione di numeri e lettere (10 caratteri). Annotare qui il codice SAID del proprio apparecchio:

SAID

1.2 PRIMA DI INIZIARE LA PROCEDURA DI CONFIGURAZIONE

- Prima di iniziare l'installazione, accendere il router e verificare che il segnale wireless della rete domestica raggiunga l'apparecchio. Per verificare la potenza del segnale WiFi, usare un tablet o uno smartphone collegati solo al router Wi-Fi, disabilitare tutte le altre connessioni e portare il dispositivo vicino all'apparecchio. Aprire una qualsiasi pagina Internet in un browser e controllare che venga scaricata in modo veloce e corretto. Se la connessione a Internet dell'abitazione funziona correttamente ma la pagina non viene scaricata, potrebbe essere necessario installare un dispositivo di estensione Wi-Fi (non in dotazione con l'apparecchio).
- Se il router supporta WPS 2.0 (o versioni successive), seguire la procedura di configurazione automatica per collegare l'apparecchio al router. Se il router non supporta WPS, seguire la procedure di configurazione manuale

Seguire le istruzioni dell'app Whirlpool 6th Sense Live che compaiono sul tablet o sullo smartphone per collegare l'apparecchio alla propria rete WiFi.

Oppure, eseguire una delle procedure di connessione automatica o manuale descritte ai paragrafi successivi.

1.2.1 ISTRUZIONI PER LA CONFIGURAZIONE AUTOMATICA (PRIMO UTILIZZO)– METODO WPS

Questa procedura può essere utilizzata solo se il router supporta WPS 2.0 (o versioni successive)

1. Sull'apparecchio, attivare il processo di riconoscimento premendo per tre secondi il tasto di connettività (viene emesso un segnale acustico di conferma). L'apparecchio viene impostato in modalità di "ricerca" di una rete locale. L'icona di connettività sull'apparecchio inizia a lampeggiare velocemente.
2. Sul router wireless, premere il tasto WPS per stabilire una connessione tra i due prodotti. Una spia sul router inizia a lampeggiare.
3. Quando l'apparecchio si connette al router locale, l'icona WiFi inizia a lampeggiare più lentamente (questa caratteristica non è supportata su tutti gli apparecchi).
4. L'apparecchio cerca di collegarsi al sistema backend. L'icona di connettività rimane accesa in modo fisso. Se l'icona WiFi non smette di lampeggiare dopo alcuni minuti, significa che l'apparecchio non è riuscito a stabilire una connessione con la rete domestica mediante WPS. Provare a ripetere la procedura e, se non dovesse riuscire, usare la procedura di configurazione manuale.
5. La procedura di connessione alla rete WiFi può essere interrotta premendo il tasto di connettività.

1.3 DISATTIVAZIONE / ATTIVAZIONE DELLA CONNETTIVITÀ WI-FI

Per disattivare la connessione dell'apparecchio alla rete WiFi, premere per 5 secondi il tasto di connettività (sarà emesso un segnale acustico di conferma). L'icona WiFi sul display dell'apparecchio dovrebbe spegnersi.

Per riattivare la connessione WiFi dell'apparecchio, premere il tasto WiFi sul prodotto.

Una volta configurata la connessione, è possibile disattivarla e scollegare l'apparecchio dalla rete WiFi premendo il tasto di connettività per 10 secondi (saranno emessi due segnali acustici di conferma, il primo dopo 5 secondi e il secondo dopo 10 secondi).

L'icona WiFi sul display dell'apparecchio dovrebbe spegnersi.

Per ricollegare l'apparecchio alla rete WiFi domestica, seguire la procedura descritta nella sezione "Preparazione alla configurazione".

1.4 ISTRUZIONI PER LA CONFIGURAZIONE MANUALE (PRIMO UTILIZZO) - METODO MICRO ACCESS POINT

Questa procedura utilizza la tecnologia Micro Access Point e può essere utilizzata con i router che non supportano WPS.

1. Prima di iniziare la procedura di configurazione, annotare il nome (SSID) e la password della rete wireless domestica e il codice SAID dell'apparecchio. Questi dati saranno necessari durante la procedura di installazione.
2. Accendere il router, controllare che la connessione a Internet sia attiva e collegare il proprio smartphone/tablet alla sua rete wifi.
3. Sull'apparecchio, attivare il processo di riconoscimento premendo per 5 secondi il tasto di connettività (saranno emessi due segnali acustici di conferma, il primo dopo 3 secondi, il secondo dopo 5 secondi) • l'icona della rete WiFi dovrebbe iniziare a lampeggiare sull'interfaccia dell'apparecchio.
4. Scansionare il codice QR riportato sull'etichetta applicata all'apparecchio; a questo punto, l'app Whirlpool 6th Sense Live fornirà istruzioni dettagliate per l'esecuzione della procedura. Nota: In alcune circostanze, è possibile che l'app richieda di specificare il tipo di apparecchio: in questo caso, selezionare Cappa.
5. Una volta stabilita la connessione, l'icona WiFi sull'apparecchio dovrebbe smettere di lampeggiare e restare accesa in modo fisso. Altrimenti, scollegare e ricollegare l'apparecchio dalla rete elettrica e ripetere la procedura.
6. La procedura di configurazione è terminata.

1.5 CONTROLLO REMOTO / UTILIZZO QUOTIDIANO

Questa funzione è implementata solo su alcuni tipi di apparecchio.

1. Assicurarsi che il router sia acceso e collegato a Internet.
2. Assicurarsi che la spia dello stato di connessione WiFi sul display del prodotto sia accesa in modo fisso.
3. L'app **Whirlpool 6th Sense Live** permette di controllare l'apparecchio da remoto; in particolare, offre la possibilità di:
 - controllare l'apparecchio e attivare varie opzioni anche quando si è fuori casa.
 - accedere a funzioni supplementari, come ad esempio la modalità Smart Energy
 - ottimizzare i consumi energetici, approfittando ad esempio delle fasce orarie più convenienti.
 - accedere a ulteriori informazioni sull'utilizzo dell'apparecchio.
 - verificare lo stato dell'apparecchio e eventuale necessità di manutenzione (es. ricambio filtri).
 - Sincronizzare la cappa con il piano e il forno pirolitico compatibili consentendo all'apparecchio di attivarsi in maniera del tutto automatica.

1.6 IDENTIFICAZIONE RAPIDA DELLO STATO DI CONNESSIONE DELL'APPARECCHIO

Se la spia dello stato di connessione WiFi sul display dell'apparecchio lampeggia velocemente, significa che l'apparecchio sta cercando di connettersi al router. Se invece lampeggia lentamente, significa che l'apparecchio è collegato al router ma non riesce a connettersi a Internet (ad esempio perché la rete ADSL non funziona); alcuni tipi di apparecchio non supportano il lampeggio a velocità differenti.

Se la spia è accesa in modo fisso, significa che l'apparecchio è collegato a Internet e al sistema cloud di Whirlpool.

1.7 DOMANDE FREQUENTI SULLA CONNESSIONE WIFI

Quali protocolli WiFi sono supportati?

L'adattatore WiFi installato supporta la connettività Wi-Fi b/g/n per i paesi europei.

Quali impostazioni occorre configurare nel software del router?

Per il router sono richieste le seguenti impostazioni: 2.4 GHz abilitato, WiFi b/g/n, DHCP e NAT attivati.

Quale versione di WPS è supportata?

WPS 2.0 o versioni successive. Consultare la documentazione del router.

Vi sono differenze tra smartphone (o tablet) Android e iOS?

Non vi sono differenze, è possibile usare indifferentemente l'uno o l'altro sistema operativo.

È possibile utilizzare il tethering tramite connessione da cellulare invece di un router?

Sì, ma i servizi cloud sono concepiti per dispositivi con connessione permanente.

Come si può controllare che la connessione a Internet domestica sia operativa e la funzionalità wireless sia abilitata?

È possibile cercare il proprio dispositivo smart nella rete. Prima di provare, disabilitare tutte le altre connessioni dati.

Come si può verificare che l'apparecchio sia collegato alla propria rete WiFi domestica?

Accedere alla configurazione del router (vedere il manuale del router) e controllare che l'indirizzo MAC dell'apparecchio sia presente nell'elenco dei dispositivi wireless collegati.

Dove si può trovare l'indirizzo MAC dell'apparecchio?

Direttamente sull'apparecchio:

cercare l'etichetta contenente gli indirizzi SAID e MAC.

L'indirizzo MAC è formato da una combinazione di numeri e lettere che inizia con "88:e7".

Come si può controllare se la funzionalità wireless dell'apparecchio è abilitata?

Usando lo smartphone o il tablet, controllare nell'app Whirlpool 6th Sense Live che la rete dell'apparecchio sia visibile e collegata al cloud.

Che cosa può impedire al segnale di raggiungere l'apparecchio?

Controllare che i dispositivi collegati non occupino interamente la banda disponibile.

Verificare che il numero dei dispositivi abilitati per la connessione WiFi non superi il limite massimo supportato dal router.

Quale dovrebbe essere la distanza tra il router e l'apparecchio?

Normalmente, il segnale WiFi ha una potenza sufficiente per coprire un paio di stanze, ma la portata effettiva dipende in gran parte dal materiale delle pareti. È possibile controllare la potenza del segnale avvicinando lo smartphone o il tablet all'apparecchio.

Cosa si può fare se la connessione wireless non raggiunge l'apparecchio?

È possibile utilizzare dispositivi specifici per estendere la copertura della rete WiFi domestica, ad esempio access point, ripetitori WiFi e ponti Power-line (non in dotazione con l'apparecchio).

Dove si possono trovare il nome e la password della rete wireless?

Consultare la documentazione del router. Normalmente, sul router è applicata un'etichetta contenente le informazioni necessarie per accedere alla pagina di configurazione usando un dispositivo connesso.

Cosa si può fare se il router utilizza il canale WiFi dei vicini?

Forzare il router a usare il canale WiFi dell'abitazione.

Cosa si può fare se la spia dello stato di connessione continua a lampeggiare lentamente e non rimane accesa in modo fisso, o se non si riesce a stabilire una connessione stabile con il router domestico?

È possibile che l'apparecchio si colleghi al router ma non riesca ad accedere a Internet. Per collegare l'apparecchio a Internet, controllare le impostazioni del router e/o della linea.

Impostazioni del router: NAT deve essere attivo, Firewall e DHCP devono essere configurati correttamente. Tipi di crittografia supportati per le password: WEP, WPA, WPA2. Se si desidera usare un tipo di crittografia differente, consultare il manuale del router.

Impostazioni della linea: se il provider del servizio Internet ha stabilito il numero di indirizzi MAC che possono collegarsi a Internet, può darsi che non si riesca a collegare l'apparecchio al cloud.

L'indirizzo MAC è un identificatore univoco ed è diverso per ogni dispositivo. Si dovrà chiedere al provider la procedura da seguire per collegare a Internet altri dispositivi diversi dai computer.

Come si può controllare se i dati vengono trasmessi?

Dopo avere configurato la rete, spegnere l'apparecchio, attendere 20 secondi e riaccenderlo: verificare che l'app mostri lo stato dell'interfaccia utente dell'apparecchio.

Alcune impostazioni impiegano diversi secondi per comparire nell'app.

Si può modificare l'account Whirlpool 6th mantenendo connessi gli apparecchi?

È possibile creare un nuovo account, ma occorre ricordarsi di revocare l'associazione dei propri apparecchi al vecchio account prima di associarli a quello nuovo.

Cosa occorre fare se si cambia il router?

È possibile mantenere gli stessi parametri di configurazione (nome e password della rete) oppure cancellare le impostazioni precedenti dall'apparecchio e ripetere la procedura di configurazione.

MANUTENZIONE

- **Pulizia:** Per la pulizia usare esclusivamente un panno inumidito con detersivi liquidi neutri. Non utilizzare utensili o strumenti per la pulizia.

- **XA Filtro Antigrasso:** Deve essere pulito una volta al mese (o quando il sistema di indicazione di saturazione dei filtri - se previsto sul modello in possesso- indica questa necessità), con detersivi non aggressivi, manualmente oppure in lavastoviglie a basse temperature ed a ciclo breve.

Con il lavaggio in lavastoviglie il filtro antigrasso metallico può scolorirsi ma le sue caratteristiche di filtraggio non cambiano assolutamente.

- Il Filtro antigrasso trattiene le particelle di grasso derivanti dalla cottura. Con il lavaggio in lavastoviglie il filtro antigrasso metallico può scolorirsi ma le sue caratteristiche di filtraggio non cambiano assolutamente.

- **XB Filtro carbone (solo per versione filtrante):** È necessario sostituire la cartuccia al massimo ogni quattro mesi. NON può essere lavato o rigenerato. Come indicato nella sezione disegni: togliere i filtri antigrasso, applicare un filtro al carbone per lato ed agganciarlo al prodotto. Rimettere i filtri antigrasso.

Illuminazione

- Il sistema di illuminazione è basato sulla tecnologia LED. I LED garantiscono una illuminazione ottimale, con una durata fino a 10 volte maggiore delle lampade tradizionali e consentono di risparmiare il 90% di energia elettrica.

- **Sistema di Illuminazione :** Il sistema di illuminazione non è sostituibile dall'utente, in caso di malfunzionamenti contattare il servizio assistenza.

SMALTIMENTO A FINE VITA



Questo apparecchio è contrassegnato in conformità alla Direttiva Europea 2012/19/EC - UK SI 2013 No.3113, Waste Electrical and Electronic Equipment (WEEE).

Assicurandosi che questo prodotto sia smaltito in modo corretto. L'utente contribuisce a prevenire le potenziali conseguenze negative per l'ambiente e la salute. Il simbolo sul prodotto o sulla documentazione di accompagnamento indica che questo prodotto non deve essere trattato come rifiuto domestico ma deve essere consegnato presso l'adeguato punto di raccolta per il riciclaggio di apparecchiature elettriche ed elettroniche. Disfarsene seguendo le normative locali per lo smaltimento dei rifiuti. Per ulteriori informazioni sul trattamento, recupero e riciclaggio di questo prodotto, contattare l'adeguato ufficio locale, il servizio di raccolta dei rifiuti domestici o il negozio presso il quale il prodotto è stato acquistato.

Il materiale dell'imballo è riciclabile al 100% ed è contrassegnato con il simbolo del riciclo



NORMATIVE

Apparecchiatura progettata, testata e realizzata nel rispetto delle norme sulla Sicurezza: EN/IEC 60335-1; EN/IEC 60335-2-31, EN/IEC 62233. Prestazione: EN/IEC 61591; ISO 5167-1; ISO 5167-3; ISO 5168; EN/IEC 60704-1; EN/IEC 60704-2-13; EN/IEC 60704-3; ISO 3741; EN 50564; IEC 62301. EMC: EN 55014-1; CISPR 14-1; EN 55014-2; CISPR 14-2; EN/IEC 61000-3-2; EN/IEC 61000-3-3.

ANOMALIE DI FUNZIONAMENTO

Se qualcosa non sembra funzionare, prima di chiamare il Servizio Assistenza effettuare i seguenti semplici controlli:

- Se la cappa non funziona:

Verificare che:

-Non c'è interruzione di corrente

-È stata selezionata una velocità

- Se la cappa ha un rendimento scarso:

Verificare che:

-La velocità motore selezionata è sufficiente per la quantità di fumo e di vapori liberata.

-La cucina è sufficientemente areata per permettere una presa d'aria.

-Il filtro carbone non è consumato (cappa in versione filtrante).

- Se la cappa si è spenta nel corso del normale funzionamento:

Verificare che:

-non c'è interruzione di corrente.

-il dispositivo di interruzione omnipolare non è scattato.

In caso di eventuali anomalie di funzionamento, prima di rivolgerVi al servizio assistenza scollegate per almeno 5 sec. l'apparecchio dall'alimentazione elettrica estraendo la spina e collegatelo poi nuovamente. Nel caso in cui l'anomalia di funzionamento dovesse perdurare, rivolgersi al servizio d'assistenza.

DATI TECNICI

Altezza (cm)	Larghezza (cm)	Profondità (cm)	Ø del tubo di scarico (cm)
110-129,5	89,8	32	15

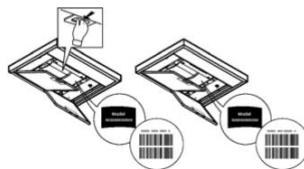


Componenti non in dotazione con il prodotto



Per scaricare le istruzioni di sicurezza, il manuale d'uso, la scheda tecnica e i dati energetici:

- Visitare il sito web docs.whirlpool.eu
- Usare il codice QR
- Oppure, **contattare il Servizio Assistenza** (al numero di telefono riportato sul libretto di garanzia). Quando si contatta il Servizio Assistenza, fornire i codici presenti sulla targhetta matricola del prodotto.



SEGURIDAD GENERAL

• No realice cambios eléctricos o mecánicos en el producto o en los conductos de descarga. • Antes de realizar cualquier tarea de limpieza o mantenimiento, desconecte el producto de la red eléctrica, quitando el enchufe o desconectando el interruptor general de la habitación. • Para todas las operaciones de instalación y mantenimiento es preciso usar guantes de trabajo. • El aparato puede ser utilizado por niños a partir de los 8 años de edad y por personas con capacidades físicas, sensoriales o mentales reducidas, o con falta de experiencia y conocimiento, a condición de que estén bajo supervisión o hayan recibido instrucciones sobre el uso del aparato de forma segura y la comprensión de los peligros relacionados con el mismo. • Los niños deben ser controlados para que no jueguen con el producto. • Las operaciones de limpieza y mantenimiento no deben ser llevadas a cabo por niños sin ninguna supervisión. • El local debe disponer de suficiente ventilación cuando el producto se utiliza al mismo tiempo que otros aparatos con combustión de gases u otros combustibles. El producto debe limpiarse con frecuencia tanto interna como externamente (AL MENOS UNA VEZ AL MES), respete de todos modos cuanto expresamente indicado en las instrucciones de mantenimiento. • La inobservancia de las normas de limpieza del producto y de la sustitución/limpieza de los filtros causa riesgos de incendios. • Está terminantemente prohibido cocinar alimentos con la llama bajo el producto. • ATENCIÓN: Cuando la placa de cocción está en funcionamiento las partes accesibles del producto pueden estar calientes. • No conecte el producto a la red eléctrica hasta que la instalación no está totalmente completada. • En lo que respecta a las medidas técnicas y de seguridad que deben adoptarse para la evacuación de los humos, atégase estrictamente a lo previsto en los reglamentos de las autoridades locales competentes. • El aire aspirado no debe encauzarse en una tubería que se utiliza para la evacuación de los humos producidos por el aparato de combustión de gas o de otros combustibles. • No utilice o deje el producto sin las lámparas correctamente montadas por posible riesgo de descarga eléctrica. • El producto no debe utilizarse NUNCA sin la rejilla correctamente montada. • El producto no debe utilizarse NUNCA como superficie de apoyo a menos que esté expresamente indicado.

Utilice únicamente los tornillos de fijación para la instalación incluidos en el suministro del producto, de no ser así, asegúrese de comprar el tipo de tornillo adecuado. Utilice tornillos de longitud correcta tal como especificado en la Guía de instalación.

• **¡Cuidado!** La falta de montaje de tornillos y elementos de fijación según lo indicado en estas instrucciones puede comportar riesgos de naturaleza eléctrica. • Para la sustitución de la lámpara, utilizar únicamente el tipo de lámpara indicado en la sección de mantenimiento/sistema de iluminación de este manual. • El empleo de llamas libres es perjudicial para los filtros y puede originar incendios,

por lo tanto, se debe evitar en cualquier circunstancia. • Se recomienda mantener constantemente bajo control la cocción de alimentos por fritura, para evitar que el aceite recalentado arda. • En caso de dudas consultar el centro de servicio autorizado o a personal cualificado similar.

¡Cuidado! No utilizar con un programador, temporizador, mando a distancia independiente o cualquier otro dispositivo que se active automáticamente.

• La distancia mínima entre la superficie de soporte de los recipientes en el dispositivo de cocción y la parte más baja de la campana de la cocina no debe ser inferior a 50 cm en caso de cocinas eléctricas y de 65 cm en caso de cocinas a gas o mixtas.

Si las instrucciones de instalación del dispositivo de cocción a gas especifican una distancia mayor, es necesario tenerlo en cuenta.

Mantener a los niños menores de 3 años alejados del equipo. Sin la supervisión constante de un adulto, mantener el aparato fuera del alcance de niños menores de 8 años.

⚠ ATENCIÓN: el equipo no está destinado para ser puesto en funcionamiento mediante un dispositivo externo o un sistema de mando a distancia separado.

⚠ Este equipo no está destinado al uso profesional. No utilizar el equipo al abierto.


⚠ Para evitar el riesgo de lesiones personales, el equipo debe ser movilizado e instalado por dos o más personas.

⚠ La instalación, incluye además eventuales empalmes para la alimentación hídrica (si están previstos) y las conexiones eléctricas, y las intervenciones de reparación deben ser realizadas por personal cualificado.

Al finalizar la instalación, conservar el material de embalaje (partes en plástico, poliestireno, etc.) fuera del alcance de los niños para evitar el riesgo de asfixia.

No utilizar el equipo cuando se está mojado o descalzo.

Nunca utilizar equipos para limpieza a vapor – riesgo de descarga eléctrica.

El material del embalaje es reciclable al 100% y está marcado con el símbolo de reciclaje 

El producto puede tener un aspecto estético diferente al mostrado en las ilustraciones de este manual, sin embargo, las instrucciones para el uso, mantenimiento e instalación siguen siendo las mismas.

Siga escrupulosamente las instrucciones proporcionadas en este manual.

El fabricante no acepta responsabilidad alguna por los posibles problemas, daños o incendios causados al producto procedentes del incumplimiento de las instrucciones incluidas en el presente manual. El producto está destinado sólo para el uso doméstico para la cocción de alimentos y la aspiración de los humos procedentes de la cocción. No se admiten usos distintos a los indicados (por ejemplo, calentar ambientes). El fabricante no se responsabiliza por el uso inapropiado o los ajustes incorrectos de los mandos.

● Lea detenidamente las instrucciones: contienen importante información sobre la instalación, el uso y la seguridad.

● No efectúe variaciones eléctricas en el producto.

● Antes de proceder a la instalación del producto asegúrese de que ninguno de los componentes esté dañado. De no ser así, póngase en contacto con su

distribuidor e interrumpa la instalación.

- Es importante conservar todos los manuales que acompañan al producto para consultarlos en todo momento. En caso de venta, cesión o traslado, asegúrese de que permanezcan junto con el producto.

CONEXIÓN ELÉCTRICA

La tensión de red debe corresponder a la tensión indicada en la etiqueta de características situada en el interior de la campana. Si está dotada con un enchufe, conectar la campana a una toma de corriente que cumpla con las normas vigentes y que esté situada en una zona accesible incluso después de la instalación. Si no está dotada de enchufe (conexión directa a la red) o el enchufe no está situado en una zona accesible, incluso después de la instalación, coloque un interruptor bipolar normalizado que garantice la desconexión completa de la red en las condiciones de categoría de sobretensión III, de acuerdo con las normas de instalación.

- **¡Cuidado!** Antes de volver a conectar el circuito a la red eléctrica y verificar su correcto funcionamiento, siempre compruebe que el cable de la red haya sido correctamente instalado.

No utilizar alargadores, tomas múltiples o adaptadores.

Tensión y frecuencia de la red

Consultar el valor indicado en la etiqueta de características dentro de la campana.

Conexión cables

⚡: amarillo/verde

N: azul

L: marrón

Sustitución del cable de alimentación

La campana está equipada con un cable de alimentación especial; si el cable está dañado, solicítelo al servicio de asistencia técnica.

DESCARGA DEL AIRE

(para las versiones aspirantes)

Conectar la campana a los tubos y orificios de salida de la pared con un diámetro equivalente a la salida de aire (brida de conexión).

El empleo de tuberías y agujeros de descarga en la pared con diámetro inferior conllevará una disminución en términos de rendimiento de aspiración y un aumento drástico del ruido.

Por lo tanto no se acepta responsabilidad alguna por ello.

! Usar un conducto cuya longitud se la mínima indispensable.

! Usar un conducto con la menor cantidad de codos posibles (ángulo máximo del codo 90°).

! Evitar cambios bruscos de sección del conducto

! La empresa no acepta ninguna responsabilidad si no se cumplen estas normas.

¿FILTRANTE O ASPIRANTE?

! Su campana está lista para ser utilizada en versión aspirante.

Para utilizar la campana en versión filtrante debe instalarse el correspondiente KIT DE ACCESORIO.

Compruebe en las primeras páginas de este manual si el KIT DE ACCESORIOS ya se suministra o debe adquirirse por separado.

Nota: Si se suministra, en algunos casos, el sistema de filtro de carbón activado adicional podría estar ya instalado en la campana.

La información para la transformación de la campana de versión aspirante a versión filtrante ya está contenida en este

manual.

Versión aspirante

Los vapores se evacúan al exterior a través de un tubo de escape fijado a la brida de conexión.

⚠ ATENCIÓN

El tubo de evacuación no es suministrado y debe ser comprado.

El diámetro del tubo de descarga debe ser igual al diámetro del aro de empalme.

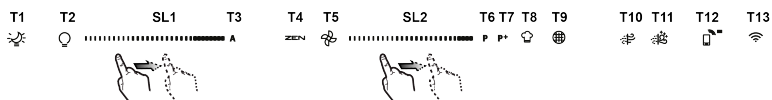
Si la campana está equipada con filtro/s, debe/n ser retirado/s.

Versión filtrante

El aire extraído es desengrasado y desodorizado antes de ser devuelto a la habitación. Para utilizar la campana en esta versión es necesario instalar un sistema de filtrado adicional a base de carbones activos.

COMANDOS

La campana está equipada con un panel de control de las velocidades de aspiración y un control de encendido de la luz para la iluminación de la placa de cocción.



T1. ON/OFF "Night Light"

T2. ON/OFF luces placa de cocción – Selección temperatura de color

T3. Funcionamiento "Autolight"

T4. Funcionamiento "ZEN Mode"

T5. ON/OFF Motor

T6. Funcionamiento "POWER BOOST 1"

T7. Funcionamiento "POWER BOOST 2"

T8. Funcionamiento automático "COOKSENSE"

T9. Indicador saturación filtros

T10. ON/OFF modo de funcionamiento "Breath Daily Cycle"

T11. ON/OFF modo de funcionamiento "Breath Intensive Cycle"

T12. Indicador luminoso de función WI-FI activa

T13. Conexión WI-FI

T1. ON/OFF "NIGHT LIGHT"

Pulse este botón para encender o apagar la iluminación suave ambiental.

T2. ON/OFF LUCES PLACA DE COCCIÓN – SELECCIÓN TEMPERATURA DE COLOR

Pulse para encender/apagar la iluminación de la placa de cocción

• Con las luces encendidas, toque la banda led **SL1** con los dedos hacia la derecha o hacia la izquierda, respectivamente, para aumentar o disminuir la intensidad de la luz.

Pulse de nuevo (prolongadamente) para configurar la temperatura de color de la iluminación.

• Toque la banda led **SL1** con los dedos hacia la derecha o hacia la izquierda para configurar un color de luz más frío o más cálido. Si no hay cambios de color durante 5 segundos, **SL1** parpadea en el nivel de color configurado y una señal acústica indica que el sistema ha guardado la configuración programada.

Nota: la luz se enciende del último color configurado antes de apagarse.

T3. FUNCIONAMIENTO "AUTOLIGHT"

Pulse para activar /desactivar la función de iluminación automática "Autolight".

Nota: La función se activa sólo cuando la campana está conectada en wi-fi a la placa de cocción. Una vez activada la función, la luz de la placa de cocción se controlará automáticamente según el estado de la placa de cocción conectada.

T4. FUNCIONAMIENTO "ZEN MODE"

Pulse para activar/desactivar la modalidad de aspiración "ZEN".

Esta función permite activar una velocidad de aspiración que es el mejor compromiso entre el silencio y eficiencia de aspiración.

T5. ON/OFF MOTOR

Pulse para encender/apagar el motor de aspiración.

• Con el motor encendido, toque la banda **SL2** con los dedos hacia la derecha o hacia la izquierda respectivamente para aumentar o disminuir la velocidad (potencia) de aspiración.

T6. FUNCIONAMIENTO “POWER BOOST 1”

Con el motor de aspiración encendido, pulse T6 para activar la velocidad (potencia) de aspiración intensiva “POWER BOOST 1” (temporizada).

Nota: Transcurridos 5 minutos, la campana sigue funcionando a la velocidad configurada anteriormente

T7. FUNCIONAMIENTO “POWER BOOST 2”

Con el motor de aspiración encendido, pulse T7 para activar la velocidad (potencia) de aspiración intensiva “POWER BOOST 2” (temporizada).

Nota: Transcurridos 5 minutos, la campana sigue funcionando a la velocidad configurada anteriormente.

T8. FUNCIONAMIENTO AUTOMÁTICO “COOKSENSE”

La campana configura automáticamente la velocidad (potencia) de aspiración **1** y luego aumentar si las condiciones ambientales detectadas por el sensor de la campana así lo requieren.

Si no se produce ningún cambio en las condiciones ambientales, después de 5 minutos (si la campana ya está en velocidad (potencia de aspiración **1**)), la campana se apaga.

Nota: para un uso correcto de esta función realice antes el “Ajuste de los parámetros para el Funcionamiento automático “ (véase párrafo correspondiente).

Nota: durante el funcionamiento automático si el usuario actúa sobre las otras funciones ajustando la velocidad, la función de ventilación automática se desactiva.

T9. INDICADOR SATURACIÓN FILTROS

A intervalos regulares la campana señala la necesidad de realizar el mantenimiento de los filtros.

Nota: los indicadores se activan con la campana encendida.

Tecla **T9** encendida: realice el mantenimiento del filtro de grasas.

Tecla **T9** intermitente: realice el mantenimiento del filtro de carbón activado.

Reset indicadores saturación filtros:

Nota: esta operación debe realizarse con la campana encendida.

Pulse prolongadamente la tecla **T9**; la luz se apaga para indicar que el restablecimiento se ha realizado.

Activación indicador saturación filtro de carbón activado.

Nota: esta operación debe realizarse con el motor de aspiración apagado.

Este indicador está normalmente desactivado; debe activarse si la campana está instalada en la versión filtrante, es decir, en presencia de filtros de carbón.

Pulse al mismo tiempo las teclas **T1** y **T10** prolongadamente par activar la función: las teclas se iluminan para indicar la activación.

Para desactivar la función, pulse nuevamente las mismas teclas (**T1** y **T10**) prolongadamente: las teclas parpadean, luego se apagan para indicar la desactivación.

T10. ON/OFF MODO DE FUNCIONAMIENTO “BREATH DAILY CYCLE”

La campana configura automáticamente la velocidad (potencia) de aspiración **1** y luego aumentar si las condiciones ambientales detectadas por el sensor de la campana así lo requieren.

Si no se produce ningún cambio de la velocidad de aspiración, en base a las condiciones ambientales detectadas, después de 2 horas, la campana se apaga.

En cualquier caso, después de 5 horas la campana se desactiva de todos modos, forzada.

Nota: para un uso correcto de esta función realice antes el “Ajuste de los parámetros para el Funcionamiento automático “ (véase

párrafo correspondiente).

T11. ON/OFF MODO DE FUNCIONAMIENTO “BREATH INTENSIVE CYCLE“

La campana configura automáticamente la velocidad (potencia) de aspiración **5** y luego aumentar si las condiciones ambientales detectadas por el sensor de la campana así lo requieren.

Si no se produce ningún cambio de la velocidad de aspiración, en base a las condiciones ambientales detectadas, después de 2 horas, la campana se apaga.

En cualquier caso, después de 5 horas la campana se desactiva de todos modos, forzada.

Nota: para un uso correcto de esta función realice antes el “Ajuste de los parámetros para el Funcionamiento automático “ (véase párrafo correspondiente).

T12. INDICADOR LUMINOSO DE FUNCIÓN WI-FI ACTIVA

El indicador se enciende cuando la campana es controlada a distancia mediante la App.

T13. CONEXIÓN WI-FI

Presionar para activar/desactivar las funciones WI-FI.

Esta función permite conectar el producto a Internet y supervisar/controlar a distancia la campana a través de un smartphone o una tableta.

Para utilizar la función WI-FI es necesario conectar el aparato a la red wireless doméstica (Internet) siguiendo el procedimiento de configuración descrito en las instrucciones "MANUAL WI-FI".

AJUSTE DE LOS PARÁMETROS PARA EL FUNCIONAMIENTO AUTOMÁTICO

Para una correcta utilización del funcionamiento automático, realice la "Calibración de la campana" y la "Selección de la placa de cocción".

Calibración de la campana

Nota: esta operación debe realizarse en condición de standby, es decir después de 1 minuto del apagado del motor Pulse la tecla **T4** durante 5 segundos.

La velocidad (potencia) de aspiración 1 comienza a funcionar y la tecla **T4** parpadea para indicar que comenzó la calibración de la campana que durará unos 5 minutos.

Nota: para interrumpir la calibración pulse **T4** durante 5 segundos; la calibración quedará invalidada y, por lo tanto, deberá repetirse.

Nota: la primera vez que se alimenta el producto, la calibración se realiza automáticamente: **T4** intermitente; a continuación, espere 5 minutos a que finalice la calibración.

Selección de la placa de cocción

Nota: esta operación debe realizarse en condición de standby, es decir después de 1 minuto del apagado del motor Pulse la tecla **T10+T11** durante 5 segundos.

Las teclas **T10** y **T11** se encienden.

Pulse la tecla **T10** en el caso de placa de cocción a gas - la tecla parpadea para indicar la selección.

Pulse la tecla **T11** en el caso de placa de cocción eléctrica - al tecla parpadea para indicar la selección.

La tecla pulsada parpadeará durante 3 segundos, para indicar que la selección ha sido almacenada.

INSTRUCCIONES PARA LA CONEXIÓN WI-FI

CONTROL REMOTO/PROCEDIMIENTO DE CONFIGURACIÓN DE LA APLICACIÓN "Whirlpool 6th Sense Live"

La aplicación Whirlpool 6th Sense Live permite accionar y controlar el aparato a distancia desde un dispositivo externo.

Para habilitar el aparato para el control remoto, se debe realizar el procedimiento de configuración de la conectividad. Este procedimiento es necesario para registrar el aparato y conectarlo a la red doméstica. El procedimiento de configuración solo debe realizarse una vez. Será necesario realizarla de nuevo solo en caso de cambio de las propiedades del router (nombre de la red, contraseña o proveedor de datos).

1.1 ANTES DE COMENZAR EL PROCEDIMIENTO DE CONFIGURACIÓN

1. Para realizar el procedimiento es necesario contar con: Un smartphone o tableta con sistema operativo Android 7.0 (o superior), o un iPad o un iPhone con sistema operativo IOS 11 (o superior); • un router WiFi b/g/n 2.4 Ghz conectado a Internet (comprobar con el smartphone o tableta que la intensidad de la señal de la red inalámbrica doméstica es buena en la zona del aparato).
2. Descargar e instalar la aplicación gratuita Whirlpool 6th Sense Live en su smartphone o tableta Android o en su iPad/iPhone desde la tienda online. La app proporcionará todas las instrucciones necesarias para el procedimiento de instalación. Si aún no dispone de una cuenta, crear una y registrarse en el servicio (suscribiendo las condiciones legales) para poder aprovechar las funciones disponibles en la app.
3. Registrar el propio aparato siguiendo las instrucciones de la app. Para el procedimiento de registro se solicitará el código SAID (Smart Appliance Identifier) indicado en la etiqueta del aparato. El código SAID es una combinación de números y letras (10 caracteres). Anotar aquí el código SAID de su aparato:

SAID

1.2 ANTES DE COMENZAR EL PROCEDIMIENTO DE CONFIGURACIÓN

- Antes de iniciar la instalación, encender el router y comprobar que la señal inalámbrica de la red doméstica llega al aparato. Para comprobar la potencia de la señal WiFi, utilizar una tableta o un smartphone conectados únicamente al router WiFi, desactivar todas las demás conexiones y acercar el dispositivo al aparato. Abrir cualquier página de Internet en un navegador y comprobar que se descarga rápida y correctamente. Si la conexión a Internet doméstica funciona correctamente pero la página no se descarga, puede ser necesario instalar un dispositivo de extensión WiFi (no suministrado con el aparato).
- Si el router es compatible con WPS 2.0 (o versiones sucesivas), seguir el procedimiento de configuración automática para conectar el aparato al router. Si el router no es compatible con WPS, realizar el procedimiento de configuración manual

Seguir las instrucciones de la app Whirlpool 6th Sense Live que aparecen en la tableta o en el smartphone para conectar el aparato a su red WiFi.

O, realizar uno de los procedimientos de conexión automática o manual descritos en los siguientes párrafos.

1.2.1 INSTRUCCIONES PARA LA CONFIGURACIÓN AUTOMÁTICA (PRIMER USO)– MÉTODO WPS

Este procedimiento puede realizarse solo si el router es compatible con WPS 2.0 (o versiones sucesivas)

1. En el aparato, activar el proceso de reconocimiento pulsando durante tres segundos la tecla de conectividad (se emite una señal acústica de confirmación). El aparato se configura en modalidad de "búsqueda" de una red local. El icono de conectividad del aparato empieza a parpadear rápidamente.
2. En el router inalámbrico, pulsar la tecla WPS para establecer una conexión entre los dos productos. Un indicador luminoso en el router comienza a parpadear.
3. Cuando el aparato se conecta al router local, el icono de WiFi comienza a parpadear más lentamente (esta característica no es compatible en todos los aparatos).
4. El aparato trata de conectarse al sistema backend. El icono de conexión permanece encendido de modo fijo. Si el icono WiFi no deja de parpadear después de algunos minutos, significa que el aparato no ha logrado establecer una conexión con la red doméstica mediante WPS. Probar a repetir el procedimiento y, si no se logra, usar el procedimiento de configuración manual.
5. El procedimiento de conexión a la red WiFi puede interrumpirse pulsando la tecla de conectividad.

1.3 DESACTIVACIÓN / ACTIVACIÓN DE LA CONECTIVIDAD WI-FI

Para desactivar la conexión del aparato a la red WiFi, pulsar durante 5 segundos la tecla de conectividad (se emitirá una señal acústica de confirmación). El icono WiFi en la pantalla del aparato debería apagarse.

Para reactivar la conexión WiFi del aparato, pulsar la teclas WiFi en el producto.

Una vez configurada la conexión, es posible desactivarla y desconectar el aparato de la red WiFi pulsando el botón de conectividad durante 10 segundos (se emitirán dos pitidos de confirmación, el primero a los 5 segundos y el segundo a los 10 segundos).

El icono WiFi en la pantalla del aparato debería apagarse.

Para reconectar el aparato a la red WiFi doméstica, seguir el procedimiento descrito en la sección "Preparación para la configuración".

1.4 INSTRUCCIONES PARA LA CONFIGURACIÓN MANUAL (PRIMER USO) - MÉTODO MICRO ACCESS POINT

Este procedimiento utiliza la tecnología Micro Access Point y puede ser utilizada con los routers que no soportan WPS.

1. Antes de iniciar el procedimiento de configuración, anotar el nombre (SSID) y la contraseña de la red wireless doméstica y el código SAID del aparato. Estos datos serán necesarios durante el procedimiento de instalación.
2. Encender el router, controlar que la conexión a Internet esté activa y conectar el propio smartphone/tableta a su red wifi.
3. En el aparato, activar el proceso de reconocimiento presionando por 5 segundos la tecla de conexión (serán emitidas dos señales acústicas de confirmación, la primera después de 3 segundos, la segunda después de 5 segundos) • el icono de la red WiFi debería comenzar a parpadear en la interfaz del aparato.

4. Escanear el código QR de la etiqueta adherida al aparato; en ese momento, la app Whirlpool 6th Sense Live proporcionará instrucciones detalladas para llevar a cabo el procedimiento. Nota: En algunas circunstancias, es posible que la app solicite especificar el tipo de aparato: en este caso, seleccionar Campana.
5. Una vez establecida la conexión, el icono WiFi en el aparato debería dejar parpadear y permanecer encendido de modo fijo. De lo contrario, desconectar y volver a conectar el aparato de la red eléctrica y repetir el procedimiento.
6. El procedimiento de configuración ha terminado.

1.5 CONTROL REMOTO / USO COTIDIANO

Esta función está implementada solo en algunos tipos de aparato.

1. Asegurarse de que el router esté encendido y conectado a Internet.
2. Asegurarse de que el indicador luminoso del estado de conexión WiFi en la pantalla del producto este encendido de modo fijo.
3. La app **Whirlpool 6th Sense Live** permite controlar el aparato a distancia; en particular, ofrece la posibilidad de:
 - controlar el aparato y activar varias opciones incluso cuando se está fuera de casa.
 - acceder a funciones suplementarias, como por ejemplo la modalidad Smart Energy
 - optimizar el consumo de energía, por ejemplo, aprovechando las franjas horarias más convenientes.
 - acceder a más informaciones sobre el uso del aparato.
 - verificar el estado del aparato y las necesidades de mantenimiento (por ejemplo, la sustitución de los filtros).
 - Sincronizar la campana con la placa de cocción y el horno pirolítico compatibles, permitiendo que el aparato se active de forma totalmente automática.

1.6 IDENTIFICACIÓN RÁPIDA DEL ESTADO DE CONEXIÓN DEL APARATO

Si el indicador luminoso del estado de conexión WiFi en la pantalla del aparato parpadea rápidamente, significa que el aparato está tratando de conectarse al router. Si en cambio parpadea lentamente, significa que el aparato está conectado al router pero no logra conectarse a Internet (por ejemplo porque la red ADSL no funciona); algunos tipos de equipos no son compatibles con el parpadeo a diferentes velocidades.

Si el indicador luminoso está encendido de modo fijo, significa que el aparato está conectado a Internet y al sistema cloud de Whirlpool.

1.7 PREGUNTAS FRECUENTES SOBRE LA CONEXIÓN WIFI

¿Cuáles protocolos WiFi son compatibles?

El adaptador WiFi instalado es compatible con la conectividad Wi-Fi b/g/n para los países europeos.

¿Qué ajustes deben configurarse en el software del router?

Para el router se requieren los siguientes ajustes: 2.4 GHz habilitado, WiFi b/g/n, DHCP y NAT activados.

¿Cuál versión de WPS es compatible?

WPS 2.0 o versiones sucesivas. Consultar la documentación del router.

¿Hay diferencias entre smartphone (o tableta) Android e iOS?

No hay diferencias, es posible utilizar cualquiera de los dos sistemas operativos.

¿Es posible utilizar el tethering a través de una conexión de teléfono móvil en lugar de un router?

Sí, pero los servicios en la nube están diseñados para dispositivos con conexión permanente.

¿Cómo se puede comprobar que la conexión a Internet doméstica está operativa y que la funcionalidad inalámbrica está habilitada?

Es posible buscar el propio dispositivo inteligente en la red. Antes de probar, desactivar todas las demás conexiones de datos.

¿Cómo se puede verificar que el aparato está conectado a la propia red WiFi doméstica?

Acceder a la configuración del router (ver el manual del router) y controlar que la dirección MAC del aparato esté presente en la lista de los dispositivos inalámbricos conectados.

¿Dónde se puede encontrar la dirección MAC del aparato?

Directamente en el aparato:

buscar la etiqueta que contiene las direcciones SAID y MAC.

La dirección MAC es una combinación de números y letras que comienza con "88:e7".

¿Cómo se puede controlar si la funcionalidad inalámbrica del aparato está habilitada?

Usando el smartphone o la tableta, controlar en la app Whirlpool 6th Sense Live que la red del aparato esté visible y conectada a la cloud.

¿Qué puede impedir que la señal alcance el aparato?

Controlar que los dispositivos conectados no ocupen completamente la banda disponible.

Verificar que el número de los dispositivos habilitados para la conexión WiFi no supere el límite máximo admitido por el router.

¿Cuál debería ser la distancia entre el router y el aparato?

Normalmente, la señal WiFi tiene suficiente potencia para cubrir un par de habitaciones, pero el alcance real depende en gran medida del material de las paredes. Es posible controlar la potencia de la señal acercando el smartphone o la tableta al aparato.

¿Qué se puede hacer si la conexión inalámbrica no alcanza el aparato?

Es posible utilizar dispositivos específicos para extender la cobertura de la red WiFi doméstica, por ejemplo punto de acceso, repetidores WiFi y puntos Power-line (no suministrados con el aparato).

¿Dónde se pueden encontrar en nombre y la contraseña de la red inalámbrica?

Consultar la documentación del router. Normalmente, se coloca una etiqueta en el router que contiene las informaciones necesarias para acceder a la página de configuración usando un dispositivo conectado.

¿Qué se puede hacer si el router utiliza el canal WiFi del vecino?

Forzar al router a usar el canal WiFi de la habitación.

¿Qué se puede hacer si el indicador luminoso del estado de conexión sigue parpadeando y no permanece encendido de modo fijo, o si no se logra establecer una conexión estable con el router doméstico?

Es posible que el aparato se conecte al router pero no logre acceder a Internet. Para conectar el aparato a Internet, controlar las configuraciones del router y/o de la línea.

Configuraciones del router: NAT debe estar activo, Firewall y DHCP deben estar configurados correctamente. Tipos de criptografía compatibles para las contraseñas: WEP, WPA, WPA2. Si se desea usar un tipo de criptografía diferente, consultar el manual del router.

Configuraciones de la línea: si el proveedor de servicios de Internet ha establecido el número de direcciones MAC que pueden conectarse a Internet, es posible que no pueda conectar el aparato a la cloud.

La dirección MAC es un identificador único y es diferente para cada dispositivo. Se deberá preguntar al proveedor sobre el procedimiento a seguir para conectar a Internet dispositivos que no sean ordenadores.

¿Cómo se puede controlar si los datos se transmiten?

Después de configurar la red, apagar el aparato, esperar 20 segundos y volver a encenderlo: verificar que la app muestre el estado de la interfaz de usuario del aparato.

Algunas configuraciones tardan varios segundos en aparecer en la aplicación.

¿Se puede modificar la cuenta Whirlpool 6th manteniendo los aparatos conectados?

Es posible crear una nueva cuenta, pero es necesario recordar revocar la asociación de los propios aparatos con la antigua cuenta antes de asociarlos con la nueva.

¿Qué hay que hacer si se cambia el router?

Es posible mantener los mismos parámetros de configuración (nombre y contraseña de la red) o borrar las configuraciones anteriores del aparato y repetir el procedimiento de configuración.

MANTENIMIENTO

• **Limpieza:** Para la limpieza use exclusivamente un paño humedecido con detergentes líquidos neutros. No utilice herramientas o instrumentos para la limpieza.

✂ **A Filtro de grasas:** Debe limpiarse una vez al mes (o cuando el sistema indicador de saturación del filtro - si está previsto en su modelo- lo indique), con detergentes no agresivos, manualmente o en el lavavajillas a baja temperatura y en ciclo corto.

Cuando el filtro metálico de grasa se lava en el lavavajillas puede decolorarse pero ello no afecta de ninguna manera sus características de filtrado.

• El Filtro de grasa retiene las partículas de grasa derivadas de la cocción. Cuando el filtro metálico de grasa se lava en el lavavajillas puede decolorarse pero ello no afecta de ninguna manera sus características de filtrado.

- ✂ **B Filtro de carbón (solo para versión filtrante):** Es necesario sustituir el cartucho al máximo cada cuatro meses. NO puede lavarse o regenerarse. Como está indicado en la sección de los dibujos: retire el filtro de grasas, coloque un filtro de carbón por lado y engánchelo al producto. Sustituya los filtros de grasas.

Iluminación

• El sistema de iluminación está basado en la tecnología LED. Los LED garantizan una iluminación óptima, con una duración hasta 10 veces mayor que las lámparas tradicionales y permiten ahorrar el 90% de energía eléctrica.

- **Sistema de Iluminación :** El sistema de iluminación no es sustituible por el usuario, en caso de mal funcionamiento póngase en contacto con el servicio de asistencia técnica.

ELIMINACIÓN AL FINAL DE VIDA



Este producto está marcado de acuerdo con la Directiva Europea 2012/19/CE - UK SI 2013 No.3113, Residuos de Aparatos Eléctricos y Electrónicos (RAEE).

Asegurándose de que este producto sea eliminado de modo correcto. El usuario contribuye a prevenir las potenciales consecuencias negativas para el ambiente y la salud. El símbolo en el producto o en la documentación adjunta indica que este producto no debe ser tratado como un desecho doméstico, sino que debe ser llevado a un punto de recolección adecuado para el reciclaje de aparatos eléctricos y electrónicos. Para la eliminación del producto siga las normativas locales para la eliminación de residuos. Para obtener más información sobre el tratamiento, la recuperación y el reciclaje de este producto, póngase en contacto con las autoridades locales, el servicio de recolección de residuos domésticos o con la tienda donde se ha comprado el producto.



El material del embalaje es reciclable al 100% y está marcado con el símbolo de reciclaje

NORMATIVAS

Equipo diseñado, probado y realizado respetando las normas sobre la Seguridad: EN/IEC 60335-1; EN/IEC 60335-2-31, EN/IEC 62233. Rendimiento: EN/IEC 61591; ISO 5167-1; ISO 5167-3; ISO 5168; EN/IEC 60704-1; EN/IEC 60704-2-13; EN/IEC 60704-3; ISO 3741; EN 50564; IEC 62301. EMC: EN 55014-1; CISPR 14-1; EN 55014-2; CISPR 14-2; EN/IEC 61000-3-2; EN/IEC 61000-3-3.

ANOMALÍAS DE FUNCIONAMIENTO

Si algo no parece funcionar, realice las siguientes comprobaciones sencillas antes de llamar al Servicio de Asistencia:

- Si la campana no funciona:

Compruebe que:

- No haya interrupción de corriente.
- Se haya seleccionado una velocidad.
 - Si la campana tiene un rendimiento escaso:

Compruebe que:

- La velocidad del motor seleccionada es suficiente para la cantidad de humo y de vapores liberada.
- La cocina está suficientemente ventilada para permitir una entrada de aire.
- El filtro de carbón no está gastado (campana en versión filtrante).
 - Si la campana se apagó durante el funcionamiento normal:

Compruebe que:

- No haya interrupción de corriente.
- El dispositivo de corte omnipolar no se haya disparado.

En caso de posibles anomalías de funcionamiento, antes de ponerse en contacto con el Servicio de Asistencia, desconecte el aparato de la red eléctrica sacando el enchufe durante al menos 5 segundos y vuelva a conectarlo. Si la avería persiste, póngase en contacto con el Servicio de Asistencia.

DATOS TÉCNICOS

Altura (cm)	Ancho (cm)	Profundidad (cm)	Ø del tubo de descarga (cm)
110-129,5	89,8	32	15

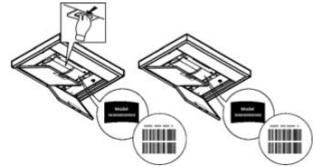


Componentes no suministrados con el producto



Para descargar las instrucciones de seguridad, el manual de uso, la ficha técnica y los datos energéticos:

- Visite el sitio web docs.whirlpool.eu
- Use el código QR
- O, **contacte el Servicio de Asistencia** (en el número de teléfono que figura en el folleto de garantía). Cuando contacte con el servicio técnico, indique los códigos que figuran en la placa de características del producto.



SEGURANÇA GERAL

• Não faça alterações elétricas ou mecânicas no produto ou nas condutas de extração. • Antes de qualquer operação de limpeza ou de manutenção, desligue o produto da rede elétrica, retirando a ficha da tomada ou desligando o interruptor geral da habitação. • Para todas as operações de instalação e manutenção, use luvas de trabalho. • O produto pode ser utilizado por crianças de idade não inferior a 8 anos e por pessoas com capacidades físicas, sensoriais ou mentais reduzidas, ou com falta de experiência ou do necessário conhecimento, desde que sob vigilância ou após terem recebido instruções acerca do uso do aparelho em segurança e da compreensão dos perigos a ele inerentes. • As crianças devem ser vigiadas para que não brinquem com o produto. • A limpeza e a manutenção não devem ser efetuadas por crianças sem vigilância. O local deve dispor de ventilação suficiente quando o produto for utilizado em simultâneo com outros aparelhos de combustão a gás ou outros combustíveis. • O produto deve ser limpo frequentemente, quer no seu interior quer no seu exterior (PELO MENOS UMA VEZ POR MÊS), contudo respeite as indicações expressas nas instruções de manutenção. • O incumprimento das normas de limpeza do produto e da substituição / limpeza dos filtros implica risco de incêndio. • É estritamente proibido cozinhar alimentos na chama sob o produto. • **ATENÇÃO:** Quando a placa de cozinha estiver em funcionamento, as partes acessíveis do produto podem ficar quentes. • Não ligue o produto à rede elétrica sem que a instalação esteja completamente concluída. • No que diz respeito às medidas técnicas e de segurança a serem adotadas para a extração de fumos, siga rigorosamente as disposições previstas nos regulamentos das autoridades locais competentes. • O ar aspirado não deve ser encanado numa conduta usada para a extração dos fumos produzidos por aparelhos de combustão a gás ou outros combustíveis. • Não utilize ou deixe o produto sem lâmpadas corretamente montadas para evitar o possível risco de choque elétrico. • O produto NUNCA deve ser utilizado sem a grelha corretamente montada. O produto NUNCA deve ser utilizado como superfície de apoio a menos que seja expressamente indicado.

• Utilize apenas os parafusos de fixação fornecidos em dotação com o produto para a instalação ou, se não forem fornecidos, compre o tipo adequado de parafusos. Utilize parafusos com o comprimento correto indicado no Guia de instalação.

● **Atenção!** A falta de instalação de parafusos e de outros dispositivos de fixação de acordo com estas instruções, pode resultar em riscos de natureza elétrica.

• Para a substituição da lâmpada, utilize apenas o tipo de lâmpada indicado na seção de manutenção/sistema de iluminação deste manual. • O uso de chamas livres é prejudicial para os filtros e pode provocar incêndios, pelo que deve ser sempre evitado. • A fritura deve ser feita sob controlo para evitar que o óleo sobreaquecido pegue fogo. • Em caso de dúvida, consulte o centro de assistência

autorizado ou um profissional qualificado similar.

Atenção! Não utilize com programadores, temporizadores, controlos remotos separados ou qualquer outro dispositivo que se ativa automaticamente.

• A distância mínima entre a superfície de apoio dos recipientes sobre o dispositivo de cozedura e a parte mais baixa do exaustor de cozinha não deve ser inferior à 50 cm no caso de fogões elétricos e de 65 cm no caso de fogões a gás ou mistos.

Se as instruções de instalação do dispositivo de cozedura a gás especificarem uma distância maior, é preciso ter isso em consideração.

Mantenha as crianças menores de 3 anos afastadas do aparelho. Quando não vigiadas por um adulto, as crianças menores de 8 anos devem ser mantidas afastadas do aparelho.

⚠ ATENÇÃO: o aparelho não deve ser operado mediante um dispositivo externo ou através dum sistema de comando à distância separado.

⚠ Este aparelho não se destina à utilização profissional. Não utilize o aparelho ao ar livre.

⚠ Para evitar o risco de ferimentos pessoais, o aparelho deve ser movimentado e instalado por duas ou mais pessoas.

⚠ A instalação, inclui também quaisquer conexões para fornecimento de água (se previsto) e as ligações elétricas, e as intervenções de reparação devem ser realizadas por pessoal qualificado.

Uma vez concluída a instalação, o material de embalagem (peças de plástico, poliestireno, etc.) deve ser mantido fora do alcance das crianças para evitar o risco de asfixia.

Não utilize o aparelho quando estiver molhado ou descalço.

Nunca utilize aparelhos de limpeza a vapor - risco de choque elétrico.

O material da embalagem é 100% reciclável e vem assinalado com o símbolo de reciclagem 

O aparelho pode ter estéticas diferentes relativamente ao ilustrado nos desenhos deste manual, contudo as instruções de utilização, manutenção e instalação são as mesmas.

Siga rigorosamente todas as instruções contidas neste manual. Declina-se toda e qualquer responsabilidade por eventuais inconvenientes, danos ou incêndios provocados ao aparelho, derivados da inobservância das instruções contidas neste manual. O aparelho destina-se exclusivamente ao uso doméstico para a cozedura de alimentos e aspiração dos fumos derivados da própria cozedura. Não é admitido nenhum outro tipo de utilização (por ex. aquecer ambientes). O fabricante declina toda e qualquer responsabilidade pelos usos inadequados ou pelas erradas definições dos comandos.

- Leia com atenção as instruções: existem importantes informações sobre a instalação, utilização e segurança.
- Não faça alterações elétricas no aparelho.
- Antes de proceder à instalação do dispositivo, verifique se todos os componentes não estão danificados. Caso contrário, entre em contacto com o revendedor e não prossiga com a instalação.
- É importante conservar todos os manuais que acompanham o produto para

poder consultá-los a qualquer momento. Em caso de venda, cessão ou mudança, certifique-se de que permaneçam junto do produto.

LIGAÇÃO ELÉTRICA

A tensão da rede deve corresponder à tensão indicada no rótulo de características situado dentro do exaustor. Se equipado com ficha, ligue o exaustor a uma tomada em conformidade com as normas em vigor, localizada numa zona acessível mesmo após a instalação. Se for desprovido de ficha (ligação direta à rede) ou se a ficha não estiver colocada em zona acessível, mesmo após a instalação, aplique um interruptor bipolar conforme com a norma que assegure o desligamento total da rede nas condições da categoria de sobretensão III, em conformidade com as regras de instalação.

● **Atenção!** Antes de ligar novamente o circuito à alimentação da rede e de verificar o seu correto funcionamento, verificar sempre se o cabo de rede está montado corretamente.

Não utilize extensões elétricas, tomadas múltiplas ou adaptadores.

Tensão e frequência da rede

Consulte o valor indicado na etiqueta de características no interior do exaustor.

Ligação de fios

—: amarelo / verde

N: azul

L: castanho

Substituição do cabo de alimentação

O exaustor está equipado com um cabo de alimentação especial; caso o cabo esteja danificado, solicite-o ao serviço de assistência técnica.

DESCARGA DE AR

(para versões de aspiração)

Ligue o exaustor a tubos e orifícios de descarga na parede com diâmetro equivalente à saída de ar (flange de união).

A utilização de tubos e orifícios de descarga de parede com diâmetro inferior determinará uma diminuição no desempenho da aspiração e um aumento drástico no ruído.

Isentamo-nos de qualquer responsabilidade neste caso.

! Usar uma conduta com o comprimento mínimo indispensável.

! Usar uma conduta com o menor número de curvas possível (ângulo máximo da curva: 90°).

! Evitar mudanças drásticas de secção da conduta.

! A empresa declina qualquer responsabilidade se estas normas não forem respeitadas.

FILTRAGEM OU ASPIRAÇÃO?

! O seu exaustor está pronto para ser utilizado na versão de aspiração.

Para utilizar o exaustor na versão de filtragem, deve ser instalado o KIT DE ACESSÓRIOS apropriado.

Verifique nas primeiras páginas deste manual se o KIT DE ACESSÓRIOS já é fornecido em acompanhamento ou deve ser adquirido separadamente.

Nota: Se fornecido em acompanhamento, nalguns casos, o sistema de filtragem adicional baseado nos carvões ativos pode já estar instalado no exaustor.

As informações para a transformação do exaustor da versão de aspiração para a versão de filtragem já estão contidas neste manual.

Versão aspirante

Os vapores são evacuados para o exterior por meio de um tubo de descarga fixado no flange de conexão.

⚠ ATENÇÃO

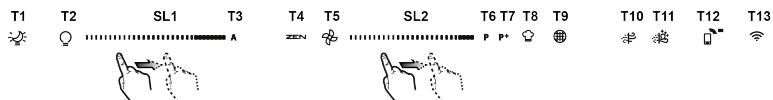
O tubo de evacuação não é fornecido e deverá ser adquirido.
O diâmetro do tubo de extração deve ser equivalente ao diâmetro do anel de conexão.
Se o exaustor estiver equipado com filtro de carvão, este(s) deve(m) ser removido(s).

Versão filtrante

O ar aspirado será desengordurado e desodorado antes de ser reconduzido para o cómodo. Para utilizar o exaustor nesta versão é necessário instalar um sistema de filtração adicional à base de carvões ativos.

COMANDOS

O exaustor está equipado com um painel de comandos com controlo das velocidades de aspiração e um controlo para acender a luz de iluminação da placa.



- T1. ON/OFF “Night Light”
- T2. ON/OFF luzes da placa de cozinha – seleção da temperatura de cor
- T3. Funcionamento “Autolight”
- T4. Funcionamento “ZEN Mode”
- T5. ON/OFF Motor
- T6. Funcionamento “POWER BOOST 1”
- T7. Funcionamento “POWER BOOST 2”
- T8. Funcionamento automático “COOKSENSE”
- T9. Indicadores de saturação dos filtros
- T10. ON/OFF método de funcionamento “Breath Daily Cycle”
- T11. ON/OFF método de funcionamento “Breath Intensivo Cycle”
- T12. Indicador luminoso de função Wi-Fi ativa
- T13. Ligação Wi-Fi

T1. ON/OFF “NIGHT LIGHT”

Prima para ligar/desligar a iluminação suave ambiente.

T2. ON/ OFF LUZES DA PLACA DE COZINHA – SELEÇÃO DA TEMPERATURA DE COR

Prima para acender/apagar a iluminação da placa de cozinha

- Com as luzes acesas, toque na fita de led **SL1** com os dedos para a direita ou para a esquerda respetivamente para aumentar ou diminuir a intensidade da luz.

Prima novamente (por longos instantes) para configurar a temperatura de cor da iluminação.

- Toque com a fita LED **SL1** com os dedos para a direita ou para a esquerda para configurar uma cor da luz mais fria ou mais quente. Se não houver alterações de cor a cada 5 segundos, **SL1** pisca no nível de cor configurado e um sinal acústico indica que o sistema guardou a configuração configurada.

Nota: a luz acende-se com a última cor configurada antes do desligamento.

T3. FUNCIONAMENTO “AUTOLIGHT”

Prima para ativar/desativar a função de iluminação automática “Autolight”.

Nota: A função só se ativa quando o exaustor está ligado por Wi-Fi à placa de cozinha. Uma vez ativada a função, a luz da placa de cozinha será gerida automaticamente em função do estado da placa de cozinha ligada.

T4. FUNCIONAMENTO “ZEN MODE”

Pressione para ativar/desativar o modo de aspiração “ZEN”.

Esta função permite ativar uma velocidade de aspiração para que resulte no melhor compromisso entre silêncio e eficiência de aspiração.

T5. ON/OFF MOTOR

Prima para acender/apagar o motor de aspiração.

- Com o motor aceso, toque na fita de led **SL2** com os dedos para a direita ou para a esquerda respetivamente para aumentar ou diminuir a velocidade (potência) de aspiração.

T6. FUNCIONAMENTO “POWER BOOST 1”

A partir do motor de aspiração ligado, prima T6 para ativar a velocidade (potência) de aspiração intensiva “POWER

BOOST 1" (temporizada).

Nota: Após 5 minutos o exaustor continua a funcionar à velocidade anteriormente configurada

T7. FUNCIONAMENTO "POWER BOOST 2"

A partir do motor de aspiração ligado, prima T7 para ativar a velocidade (potência) de aspiração intensiva "POWER BOOST 2" (temporizada).

Nota: Após 5 minutos o exaustor continua a funcionar à velocidade anteriormente configurada.

T8. FUNCIONAMENTO AUTOMÁTICO "COOKSENSE"

O exaustor configura automaticamente a velocidade (potência) de aspiração 1 para depois aumentar se as condições ambientais detetadas pelo sensor do exaustor o exigirem.

Na ausência de variações das condições ambientais, após 5 minutos (se o exaustor já estiver na velocidade (potência) de aspiração 1), o exaustor desliga-se.

Nota: para um uso correto desta função efetue primeira a "Regulação dos parâmetros para o funcionamento automático" (ver parágrafo correspondente).

Nota: durante o funcionamento automático se o utilizador usar outras funções que regulam a velocidade, a função de autoventilação desativa-se.

T9. INDICADORES DE SATURAÇÃO DOS FILTROS

A intervalos regulares, o exaustor assinala a necessidade de executar a manutenção dos filtros.

Nota: os indicadores ativam-se com o exaustor ligado.

Botão T9 aceso: efetue a manutenção do filtro de gorduras.

Botão T9 intermitente: efetue a manutenção do filtro de carvão ativado.

Redefinição dos indicadores de saturação dos filtros:

Nota: esta operação deverá ser efetuada com o exaustor ligado.

Prima longamente o botão T9; a luz apaga-se para indicar a reinicialização efetuada.

Ativação do indicador saturação do filtro de carvão ativado.

Nota: esta operação deverá ser efetuada com o motor de aspiração desligado.

Este indicador está normalmente desativado; deverá ser ativado em caso de instalação do exaustor na versão filtrante, ou seja, na presença dos filtros de carvão.

Prima em simultâneo os botões T1 e T10 longamente para ativar a função: os botões iluminam-se para indicar que a ativação foi realizada.

Para desativar a função, prima novamente os mesmos botões (T1 e T10) longamente: os botões piscam brevemente, para depois se desligarem, a indicar que a desativação ocorreu.

T10. ON/OFF MÉTODO DE FUNCIONAMENTO "BREATH DAILY CYCLE"

O exaustor configura automaticamente a velocidade (potência) de aspiração 1 para depois aumentar se as condições ambientais detetadas pelo sensor do exaustor o exigirem.

Na ausência de variações da velocidade de aspiração, consoante as condições ambientais detetadas, após 2 horas, o exaustor desliga-se.

De todo o modo, após 5 horas, o exaustor desativa-se forçadamente.

Nota: para um uso correto desta função efetue primeira a "Regulação dos parâmetros para o funcionamento automático" (ver

parágrafo correspondente).

T11. ON/ OFF MÉTODO DE FUNCIONAMENTO "BREATH INTENSIVO CYCLE"

O exaustor configura automaticamente a velocidade (potência) de aspiração 5 para depois aumentar se as condições ambientais detetadas pelo sensor do exaustor o exigirem.

Na ausência de variações da velocidade de aspiração, consoante as condições ambientais detetadas, após 2 horas, o exaustor desliga-se.

De todo o modo, após 5 horas, o exaustor desativa-se forçadamente.

Nota: para um uso correto desta função efetue primeira a "Regulação dos parâmetros para o funcionamento automático" (ver parágrafo correspondente).

T12. INDICADOR LUMINOSO DE FUNÇÃO WI-FI ATIVA

O indicador acende-se quando o exaustor é controlado remotamente através da app.

T13. LIGAÇÃO WI-FI

Prima para ativar / desativar as funções WI-FI.

Esta função permite poder ligar o produto à Internet e monitorizar/controlar a distância ao exaustor através de um

smartphone ou tablet.

Para utilizar a função WI-FI, é necessário ligar o aparelho à rede sem fios doméstica (Internet) seguindo o procedimento de configuração descrito nas instruções "MANUAL WI-FI".

REGULAÇÃO DOS PARÂMETROS PARA O FUNCIONAMENTO AUTOMÁTICO

Para fins de uma utilização correta do funcionamento automático, efetue a "Calibração do exaustor" e a "Seleção da placa de cozinha".

Calibração do exaustor

Nota: esta operação deverá ser efetuada em condições de stand-by, ou seja, após 1 minuto do desligamento do motor prima o botão **T4** durante 5 segundos.

A velocidade (potência) de aspiração 1 começa a funcionar e o botão **T4** pisca para indicar que começou a calibração do exaustor que durará cerca de 5 minutos.

Nota: para interromper a calibração, prima **T4** durante 5 segundos; a calibração ficará inválida, e deverá depois ser repetida.

Nota: à primeira alimentação do produto, a calibração é executada automaticamente: **T4** intermitente; em seguida, aguarde 5 minutos para que a calibração seja terminada.

Seleção da placa de cozinha

Nota: esta operação deverá ser efetuada em condições de stand-by, ou seja, após 1 minuto do desligamento do motor prima o botão **T10+T11** durante 5 segundos.

Os botões **T10** e **T11** acendem-se.

Prima o botão **T10** no caso da placa de cozinha a gás - o botão pisca para indicar que a seleção ocorreu.

Prima o botão **T11** no caso da placa de cozinha elétrico - o botão pisca para indicar que a seleção ocorreu.

O botão premido piscará durante 3 segundos para indicar que a seleção foi memorizada.

INSTRUÇÕES PARA CONEXÃO WI-FI

CONTROLO REMOTO / PROCEDIMENTO DE CONFIGURAÇÃO DA APLICAÇÃO "Whirlpool 6th Sense Live"

A aplicação **Whirlpool 6th Sense Live** permite acionar e controlar o aparelho à distância a partir de um dispositivo externo. Para emparelhar o aparelho com o controlo remoto, é necessário executar o procedimento de configuração da conectividade. Este procedimento é necessário para registar o aparelho e ligá-lo à rede doméstica. O procedimento de configuração deve ser executado apenas uma vez. Será necessário executá-lo novamente apenas no caso da alteração das propriedades do router (nome da rede, palavra-passe ou provedor de dados).

1.1 ANTES DE INICIAR O PROCEDIMENTO DE CONFIGURAÇÃO

1. Para executar o procedimento, é necessário dispor de: Um smartphone ou tablet com sistema operativo Android 7.0 (ou superior) ou um iPad ou um iPhone com sistema operativo iOS 11 (ou superior); • um router Wi-Fi de 2,4 GHz b/g/n ligado à Internet (verifique com o smartphone ou o tablet se a intensidade do sinal da rede sem fios doméstica é boa na área do aparelho).
2. Descarregue e instale a aplicação gratuita Whirlpool 6th Sense Live no seu smartphone ou tablet Android ou no iPad / iPhone a partir da loja online. A aplicação fornecerá todas as instruções necessárias para o procedimento de instalação. Se ainda não possui uma conta, crie uma e registe-se no serviço (subscvendo os termos legais) para usufruir dos recursos disponíveis na aplicação.
3. Registe o próprio aparelho seguindo as instruções da aplicação. Para o procedimento de registo, será solicitado o código SAID (Smart Appliance Identifier) indicado na etiqueta do aparelho. O código SAID é uma combinação de números e letras (10 caracteres). Anote aqui o código SAID do seu aparelho:

SAID

1.2 ANTES DE INICIAR O PROCEDIMENTO DE CONFIGURAÇÃO

- Antes de iniciar a instalação, ligue o router e verifique se o sinal da rede sem fios doméstica alcança o aparelho. Para verificar a intensidade do sinal Wi-Fi, use um tablet ou smartphone ligado apenas ao router Wi-Fi, desative todas as outras conexões e aproxime o dispositivo ao aparelho. Abra uma página qualquer da Internet num

navegador e verifique se foi descarregada rápida e corretamente. Se a conexão à Internet da habitação estiver a funcionar corretamente, mas a página não for descarregada, pode ser necessário instalar um dispositivo de extensão Wi-Fi (não fornecido com o aparelho).

- Se o router suportar WPS 2.0 (ou versões seguintes), siga o procedimento de configuração automática para ligar o aparelho ao router. Se o router não suportar WPS, siga o procedimento de configuração manual

Siga as instruções da aplicação Whirlpool 6th Sense Live que aparecem no tablet ou no smartphone para ligar o aparelho à própria rede Wi-Fi.

Ou execute um dos procedimentos de conexão automática ou manual descritos nos parágrafos seguintes.

1.2.1 INSTRUÇÕES PARA A CONFIGURAÇÃO AUTOMÁTICA (PRIMEIRA UTILIZAÇÃO) - MÉTODO WPS

Este procedimento só pode ser utilizado se o router suportar WPS 2.0 (ou versões seguintes)

1. No aparelho, ative o processo de reconhecimento premindo o botão de conectividade durante três segundos (é emitido um sinal acústico de confirmação). O aparelho é configurado no modo de "procura" de uma rede local. O ícone de conectividade no aparelho começa a lampear rapidamente.
2. No router sem fios, prima a tecla WPS para estabelecer uma conexão entre os dois produtos. No router começa a lampear uma luz piloto.
3. Quando o aparelho se conecta ao router local, o ícone do Wi-Fi começa a lampear mais lentamente (este recurso não é suportado por todos os aparelhos).
4. O aparelho tenta ligar-se ao sistema back-end. O ícone de conectividade permanece ligado em modo fixo. Se o ícone do Wi-Fi não parar de lampear após alguns minutos, significa que o aparelho não conseguiu estabelecer uma conexão com a rede doméstica através do WPS. Tente repetir o procedimento e, caso não consiga, use o procedimento de configuração manual.
5. O procedimento de conexão com a rede Wi-Fi pode ser interrompido premindo a tecla de conectividade.

1.3 DESATIVAÇÃO / ATIVAÇÃO DA CONECTIVIDADE WI-FI

Para desativar a conexão do aparelho à rede Wi-Fi, prima a tecla de conectividade durante 5 segundos (será emitido um sinal acústico de confirmação). O ícone de Wi-Fi no visor do aparelho deve apagar-se.

Para reativar a conexão Wi-Fi do aparelho, prima a tecla Wi-Fi no produto.

Depois de configurada a conexão, é possível desativá-la e desligar o aparelho da rede Wi-Fi premindo a tecla de conectividade durante 10 segundos (serão emitidos dois sinais acústicos de confirmação, o primeiro após 5 segundos e o segundo após 10 segundos).

O ícone de Wi-Fi no visor do aparelho deve apagar-se.

Para religar o aparelho à rede Wi-Fi doméstica, siga o procedimento descrito na secção "Preparação para a configuração".

1.4 INSTRUÇÕES PARA A CONFIGURAÇÃO MANUAL (PRIMEIRA UTILIZAÇÃO) - MÉTODO MICRO ACCESS POINT

Este procedimento utiliza a tecnologia Micro Access Point e pode ser utilizado com os routers que não suportam WPS.

1. Antes de iniciar o procedimento de configuração, anote o nome (SSID) e a palavra-passe da rede sem fios doméstica e o código SAID do aparelho. Estes dados serão necessários durante o procedimento de instalação.
2. Ligue o router, verifique se a conexão à Internet está ativa e ligue o seu smartphone / tablet à sua rede Wi-Fi.
3. No aparelho, ative o processo de reconhecimento premindo a tecla de conectividade durante 5 segundos (serão emitidos dois sinais acústicos de confirmação, o primeiro após 3 segundos, o segundo após 5 segundos) • o ícone da rede Wi-Fi deve começar a lampear no interface do aparelho.
4. Digitalize o código QR mostrado na etiqueta aplicada no aparelho; neste momento, a aplicação Whirlpool 6th Sense Live fornecerá instruções detalhadas para executar o procedimento. Nota: Em algumas circunstâncias, a aplicação pode solicitar que especifique o tipo de aparelho: nesse caso, selecione Exaustor.
5. Depois de estabelecida a conexão, o ícone do Wi-Fi no aparelho deve parar de lampear e ficar aceso de modo fixo. Caso contrário, desligue e religue o aparelho da fonte de alimentação e repita o procedimento.
6. O procedimento de configuração está terminado.

1.5 CONTROLO REMOTO / UTILIZAÇÃO DIÁRIA

Esta função é implementada apenas em alguns tipos de aparelhos.

1. Verifique se o router está ligado e conectado à Internet.
2. Verifique se a luz piloto do estado da conexão Wi-Fi no visor do produto está acesa em modo fixo.
3. A aplicação **Whirlpool 6th Sense Live** permite controlar o aparelho remotamente; em particular, oferece a possibilidade de:
 - controlar o aparelho e ativar várias opções, mesmo quando estiver fora de casa.
 - aceder a funções adicionais, como por exemplo o modo Smart Energy
 - otimizar o consumo de energia, por exemplo, aproveitando as faixas horárias mais convenientes.
 - aceder a mais informações sobre a utilização do aparelho.
 - verificar o estado do aparelho e qualquer necessidade de manutenção (por exemplo, substituição de filtros).
 - Sincronizar o exaustor com a placa e o forno pirolítico compatíveis, permitindo que o aparelho se ative de maneira totalmente automática.

1.6 IDENTIFICAÇÃO RÁPIDA DO ESTADO DE CONEXÃO DO APARELHO

Se a luz piloto do estado da conexão Wi-Fi no visor do aparelho lampear rapidamente, significa que o aparelho está a tentar conectar-se com o router. Se, por outro lado, lampear lentamente, significa que o aparelho está ligado ao router, mas não pode conectar-se à Internet (por exemplo, porque a rede ADSL não está a funcionar); alguns tipos de aparelhos não suportam o lampear a diferentes velocidades.

Se a luz piloto estiver acesa em modo fixo, significa que o aparelho está ligado à Internet e ao sistema da nuvem da Whirlpool.

1.7 PERGUNTAS FREQUENTES SOBRE A CONEXÃO Wi-Fi

Quais os protocolos Wi-Fi que são suportados?

O adaptador Wi-Fi instalado suporta a conectividade Wi-Fi b/g/n para os países europeus.

Quais as configurações a configurar no software do router?

Para o router são pedidas as seguintes configurações: 2,4 GHz habilitado, Wi-Fi b/g/n, DHCP e NAT ativados.

Qual É a versão do WPS suportada?

WPS 2.0 ou versões posteriores. Consulte a documentação do router.

Há diferenças entre os smartphones (ou tablets) Android e iOS?

Não há diferenças, pode indiferentemente usar qualquer um dos sistemas operativos.

É possível partilhar a ligação de dados móvel através do telemóvel em vez de um router?

Sim, mas os serviços em nuvem foram concebidos para dispositivos com conexão permanente.

Como se pode verificar se a conexão doméstica à Internet está operativa e a funcionalidade sem fios está habilitada?

É possível procurar o próprio dispositivo inteligente na rede. Antes de tentar, desabilite todas as outras conexões de dados.

Como se pode verificar se o aparelho está ligado à própria rede Wi-Fi doméstica?

Aceda à configuração do router (consulte o manual do router) e verifique se o endereço MAC do aparelho está presente na lista de dispositivos sem fios ligados.

Onde se pode encontrar o endereço MAC do aparelho?

Diretamente no aparelho:

procure a etiqueta que contém os endereços SAID e MAC.

O endereço MAC é composto por uma combinação de números e letras que começa com "88:e7".

Como se pode verificar se a funcionalidade sem fios do aparelho está ativada?

Utilizando o smartphone ou o tablet, controle na aplicação Whirlpool 6th Sense Live se a rede do aparelho está visível e ligada à nuvem.

O que pode impedir que o sinal chegue ao aparelho?

Verifique se os dispositivos ligados não ocupam totalmente a largura de banda disponível.

Verifique se o número de dispositivos habilitados para conexão Wi-Fi não excede o limite máximo suportado pelo router.

Qual deve ser a distância entre o router e o aparelho?

Normalmente, o sinal Wi-Fi tem uma potência suficiente para cobrir algumas salas, mas o alcance real depende muito do

material das paredes. É possível verificar a potência do sinal aproximando o smartphone ou o tablet ao aparelho.

O que se pode fazer caso a conexão sem fios não chegue ao aparelho?

É possível utilizar dispositivos específicos para estender a cobertura da rede Wi-Fi doméstica, por exemplo, pontos de acesso, repetidores de Wi-Fi e pontes de Power-line (não fornecidos com o dispositivo).

Onde se pode encontrar o nome e a palavra-passe da rede sem fios?

Consulte a documentação do router. Normalmente, no router é anexada uma etiqueta contendo as informações necessárias para aceder à página de configuração usando um dispositivo conectado.

O que se pode fazer se o router usar o canal Wi-Fi dos vizinhos?

Force o router a usar o canal Wi-Fi da sua habitação.

O que se pode fazer no caso da luz piloto do estado da conexão continuar a lampejar lentamente e não ficar acesa em modo fixo, ou caso não se consiga estabelecer uma conexão estável com o router doméstico?

É possível que o aparelho se ligue ao router, mas não consiga aceder à Internet. Para ligar o aparelho à Internet, verifique as configurações do router e / ou da linha.

Configurações do router: O NAT deve estar ativo, a Firewall e o DHCP devem estar configurados corretamente. Tipos de criptografia suportados para as palavra-passes: WEP, WPA, WPA2. Se desejar usar um tipo diferente de criptografia, consulte o manual do router.

Configurações da linha: se o provedor do serviço de Internet estabeleceu o número de endereços MAC que podem ligar-se à Internet, pode acontecer não se conseguir ligar o aparelho à nuvem.

O endereço MAC é um identificador exclusivo e é diferente para cada dispositivo. Será preciso solicitar ao provedor o procedimento a seguir para ligar à Internet outros dispositivos que não sejam computadores.

Como se pode verificar se os dados estão a ser transmitidos?

Após configurar a rede, desligue o aparelho, aguarde 20 segundos e ligue-o novamente: verifique se a aplicação mostra o estado do interface do utilizador do aparelho.

Algumas configurações levam vários segundos para aparecer na aplicação.

Pode-se alterar a conta Whirlpool 6th mantendo os aparelhos conectados?

É possível criar uma nova conta, mas deve lembrar-se de revogar a associação dos aparelhos à conta antiga antes de associá-los à nova.

O que se deve fazer caso se mude de router?

É possível manter os mesmos parâmetros de configuração (nome e palavra-passe da rede) ou apagar as configurações anteriores do aparelho e repetir o procedimento de configuração.

MANUTENÇÃO

- **Limpeza:** Para a limpeza utilize exclusivamente um pano humedecido com detergentes líquidos neutros. Não utilize ferramentas ou instrumentos para a limpeza.

- **✘A Filtro de gorduras:** Deve ser limpo uma vez por mês (ou quando o sistema indicador de saturação dos filtros - se previsto no modelo que possui - indicar esta necessidade), com detergentes não agressivos, manualmente ou na máquina de lavar louça a baixas temperaturas e com ciclo curto.

Com a lavagem na máquina de lavar louça, o filtro de gorduras metálico pode perder a cor, mas suas características de filtração não se alteram absolutamente.

- O filtro de gorduras retém as partículas de gordura derivadas do cozimento. Com a lavagem na máquina de lavar louça, o filtro de gorduras metálico pode perder a cor, mas suas características de filtração não se alteram absolutamente.

- **✘B Filtro de carvão (somente para versão filtrante):** É necessário substituir o cartucho pelo menos a cada quatro meses. NÃO pode ser lavado ou regenerado. Conforme indicado na secção de desenhos: retire os filtros de gordura, aplique um filtro de carvão de cada lado e engate-o no produto. Recoloque os filtros de gordura.

Iluminação

- O sistema de iluminação se baseia na tecnologia a LED. Os LEDs garantem uma iluminação ideal, com uma duração até 10 vezes superior às lâmpadas tradicionais, e permitem uma economia de 90% de energia elétrica.

- **Sistema de iluminação :** O sistema de iluminação não pode ser substituído pelo utilizador, em caso de mau funcionamento, entre em contacto com o serviço de assistência.

ELIMINAÇÃO EM FIM DE VIDA



Este aparelho está marcado em conformidade com a Diretiva Europeia 2012/19/CE - Instrumento Estatutário do Reino Unido n.º 3113 de 2013, Resíduos de equipamentos elétricos e eletrónicos (REEE).

Ao assegurar-se de que este aparelho seja eliminado corretamente. O utilizador contribui para evitar as potenciais consequências negativas para o ambiente e para a saúde. O símbolo no produto ou na documentação anexa indica que este produto não deve ser tratado como lixo doméstico, devendo ser entregue no ponto de recolha apropriado para a reciclagem de equipamentos elétricos e eletrónicos. Desfaça-se deles seguindo os regulamentos locais para a eliminação dos resíduos. Para mais informações sobre o tratamento, recuperação e reciclagem deste produto, contacte as autoridades locais, o serviço de recolha de resíduos domésticos ou a loja onde o aparelho foi adquirido.

O material da embalagem é 100% reciclável e vem assinalado com o símbolo de reciclagem



REGULAMENTAÇÃO

Aparelho projetado, testado e fabricado respeitando as normas de Segurança: EN/IEC 60335-1; EN/IEC 60335-2-31, EN/IEC 62233. Desempenho: EN/IEC 61591; ISO 5167-1; ISO 5167-3; ISO 5168; EN/IEC 60704-1; EN/IEC 60704-2-13; EN/IEC 60704-3; ISO 3741; EN 50564; IEC 62301. CEM: EN 55014-1; CISPR 14-1; EN 55014-2; CISPR 14-2; EN/IEC 61000-3-2; EN/IEC 61000-3-3.

ANOMALIAS DE FUNCIONAMENTO

Se algo parece não funcionar, antes de chamar o Serviço de Assistência, efetue as seguintes verificações simples:

- Se o exaustor não funcionar:

Verifique se:

- Não há falha de corrente.

- Foi selecionada uma velocidade.

- Se o exaustor tem um desempenho insuficiente:

Verifique se:

-A velocidade selecionada para o motor é suficiente para a quantidade libertada de fumo e vapores.

-A cozinha é suficientemente arejada para permitir uma entrada de ar.

-O filtro de carvão não está gasto (exaustor na versão de filtragem).

- Se o exaustor se desligou no decorrer do funcionamento normal:

Verifique se:

-não há falha de corrente.

-o dispositivo de interrupção omnipolar não disparou.

Em caso de eventuais anomalias de funcionamento, antes de contactar o serviço de assistência, desligue o aparelho da alimentação elétrica extraíndo a ficha durante pelo menos 5 s. e ligando-o depois novamente. No caso de uma anomalia de funcionamento persistir, contacte o serviço de assistência.

DADOS TÉCNICOS

Altura (cm)	Largura (cm)	Profundidade (cm)	Ø do tubo de exaustão (cm)
110-129,5	89,8	32	15

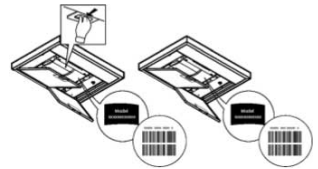


Componentes não incluídos com o produto



Para transferir as instruções de segurança, o manual de utilização, a ficha técnica e os dados energéticos:

- Visite o website docs.whirlpool.eu
- Utilize o código QR
- Ou **contacte o Serviço de Assistência** (para o número de telefone indicado no livreto da garantia). Quando contactar o Serviço de Assistência, forneça os códigos presentes na placa do número de série do produto.



GENERELLE BEMÆRKNINGER OM SIKKERHED

• Udfør aldrig elektriske eller mekaniske ændringer ved produktet eller afgangskanalerne. • Før et hvilket som helst rengørings- eller vedligeholdelsesindgreb skal apparatets strømforsyning afbrydes ved at trække stikket ud eller ved at frakoble boligens hovedafbryder. • Anvend arbejdshandsker til alle installations- og vedligeholdelsesindgreb. • Børn over 8 år og personer med nedsatte fysiske, sensoriske eller mentale evner eller uden den nødvendige erfaring og viden må kun bruge apparatet, hvis de er under opsyn eller forinden har modtaget instruktioner i sikker brug af apparatet og har forstået farerne, som brugen af apparatet indebærer. • Børn skal være under opsyn for at sikre, at de ikke leger med produktet. • Rengøring og vedligeholdelse må ikke udføres af børn uden opsyn. • Rummet skal være tilstrækkelig udluftet, når produktet er i funktion samtidig med andre apparater, der forbrænder gas eller andet brændstof. • Produktet skal rengøres hyppigt både indvendigt og udvendigt (MINDST ÉN GANG OM MÅNEDEN). Følg altid de specifikke instruktioner for vedligeholdelse. • Manglende overholdelse af instruktionerne for rengøring af produktet og udskiftning/rengøring af filtre medfører kan forårsage brandfare. • Det er strengt forbudt at flambere mad under produktet. • PAS PÅ: Når kogepladen er i brug, kan de tilgængelige dele på produktet blive varme. • Tilslut ikke produktet til fastnettet, før installationen er gennemført. • Overhold nøje lokale bestemmelser med hensyn til de tekniske og sikkerhedsmæssige forholdsregler, der skal træffes ved udledning af røgen. • Den udsugede luft må ikke ledes til en kanal, der også anvendes til udledning af røg fra forbrændingsapparater, der drives af gas eller af andre brændstoffer. • Brug eller efterlad ikke produktet uden korrekt monterede lamper på grund af faren for elektrisk stød. • Produktet må ALDRIG bruges uden en korrekt monteret rist. • Produktet må ALDRIG bruges som en støtteflade, medmindre det udtrykkeligt er angivet.

• Brug kun de medfølgende fastspændingsskruer til produktet til installationen, eller – såfremt de ikke medfølger – indkøb den korrekte skruetype. Brug skruer af korrekt længde, som anført i vedligeholdelsesvejledningen.

● **Advarsel!** Manglende installation af skruer og fastgøringsanordninger i overensstemmelse med disse anvisninger kan udgøre en fare for elektrisk stød.

• Når du udskifter lampen, må du kun bruge den lampetype, der er angivet i afsnittet om vedligeholdelse/belysningsystem i denne manual. • Brugen af åben ild er skadeligt for filtrene og kan forårsage brand og skal derfor altid undgås. • Friturestegning må kun udføres under opsyn for at undgå, at den overophedede olie bryder i brand. • Hvis du er i tvivl, skal du kontakte det autoriserede servicecenter eller lignende kvalificeret personale.

Advarsel! Må ikke bruges sammen med en programmør, timer, separat fjernbetjening eller anden enhed, der aktiveres automatisk.

- Minimumsafstanden mellem beholdernes understøtningsflade på kogeenheden og den nederste del af emhætten må ikke være mindre end 50 cm ved elektriske komfurer og 65 cm i tilfælde af gas- eller blandede komfurer.

Hvis brugsanvisninger angiver en større afstand på kogeenheden med gas, skal denne overholdes.

Børn under 3 år skal holdes langt væk fra apparatet. Hold apparatet utilgængeligt for børn under 8 år, med mindre de konstant overvåges af en voksen.

⚠ ADVARSEL: Apparatet er ikke beregnet til at blive idriftsat ved hjælp af en ekstern enhed eller et separat fjernbetjeningssystem.

⚠ Dette apparat er ikke beregnet til professionel brug. Apparatet må ikke anvendes i det fri.

⚠ For at undgå risiko for kvæstelser skal apparatet håndteres og installeres af to eller flere personer.

⚠ Installationen, herunder også eventuelle vandforsyningsforbindelser (hvis relevant), og de elektriske tilslutninger, og reparationsarbejde skal udføres af kvalificeret personale.

Når installationen er færdig, skal emballagen (plastikdele, polystyren osv.) opbevares uden for børns rækkevidde for at undgå kvælningsskade.

Brug aldrig apparatet, når du er våd eller barfodet.

Brug aldrig damprensingsapparater – risiko for elektrisk stød.

Emballagen er 100% genanvendelig og er markeret med genbrugssymbolet 

Apparatet kan have et andet udseende end modellen, der er vist på tegningerne i denne vejledning. Vejledningen til brug, vedligeholdelse og installation er dog uændret.

Anvisningerne i denne manual skal nøje overholdes. Fabrikanten fralægger sig ethvert ansvar for eventuelle fejl, skader eller brand forårsaget af apparatet, der skyldes manglende overholdelse af instruktionerne i denne manual. Apparatet er udelukkende beregnet til husholdningsbrug, til udsugning af røg, der stammer fra madstegning. Anden brug er ikke tilladt (f.eks. rumopvarmning). Fabrikanten fralægger sig ethvert ansvar for anden brug end den tilsigtede, eller for forkerte indstillinger af betjeningsselementerne.

- Læs omhyggeligt instruktionerne. De indeholder vigtige oplysninger vedrørende installation, brug og sikkerhed.

- Foretag ikke elektriske variationer på apparatet.

- Kontrollér, at alle komponenter er intakte, før du installerer apparatet. I tilfælde af defekte dele skal du rette henvendelse til forhandleren og afbryde installationen.

- Det er vigtigt at opbevare alle manualer, der følger med produktet, for at kunne konsultere dem til enhver tid. I tilfælde af salg, overdragelse eller flytning skal du sørge for, at de bliver sammen med produktet.

ELEKTRISK TILSLUTNING

Netspændingen skal svare til den spænding, der er vist på egenskabsmærkatet, der er placeret inde i emhætten. Hvis udstyret med et stik, skal emhætten tilsluttes en stikkontakt, der er i overensstemmelse med gældende regler, placeret i et

område, der er tilgængeligt selv efter installation. Hvis der ikke er noget stik (direkte forbindelse til nettet), eller hvis stikket ikke er placeret i et tilgængeligt område, selv efter installationen, er det nødvendigt at bruge en standardmæssige bipolær afbryder, der sikrer fuldstændig afbrydelse fra nettet. Stikket skal være i overspændingskategori III og i overensstemmelse med installationsreglerne.

● **Advarsel!** Inden strømforsyningen tilsluttes for at kontrollere, at apparatet fungerer korrekt, skal det altid kontrolleres, at strømforsyningskablet er korrekt installeret.

Brug ikke forlængerledninger, multistikkontakter eller adaptere.

Netspænding og -frekvens

Se den angivne værdi på etiketten med tekniske data inde i emhætten.

Tilslutning af tråde

⬇: gul/grøn

N: blå

L: brun

Udskiftning af strømkablet

Emhætten er udstyret med et specielt strømkabel; Hvis kablet er beskadiget, skal du anmode den tekniske service om det.

LUFTUDTAG

(for sugeversioner)

Forbind emhætten til rør og afløbshuller på væggen med en diameter svarende til luftudtaget (tilslutningsflange).

Brug af rør og udgang i væggen med mindre diameter vil medføre en forringet sugeevne og en betydelig stigning i støjniveaue.

Af denne grund påtages der intet ansvar i denne forbindelse.

! Anvend en kanal, der er så kort, som muligt.

! Anvend en kanal med det mindst tilladelige antal bøjninger (bøjningens maksimale vinkel: 90°).

! Undgå vigtige ændringer på kanalens snit

! Virksomheden fralægger sig ethvert ansvar, hvis disse regler ikke overholdes.

FILTRERING ELLER SUGNING?

! Din emhætte er klar til brug i sugeversionen.

For at bruge emhætten i filtreringsversionen skal det passende TILBEHØRSSET installeres.

Tjek på de første sider af denne vejledning, om TILBEHØRSÆTTET allerede er leveret eller skal købes separat.

Bemærk: Hvis det leveres, kan det ekstra filtreringssystem baseret på aktivt kul i nogle tilfælde allerede være installeret på emhætten.

Informationen om omdannelse af emhætten fra sugende version til filtrerende version er allerede indeholdt i denne manual.

Udsugningsudgave

Dampene evakueres til ydersiden gennem et udstødningsrør, der er fastgjort til koblingsflangen.

⚠ OBS

Aftræksrøret medfølger ikke og skal købes.

Aftræksrørets diameter skal svare til forbindelsesringens diameter.

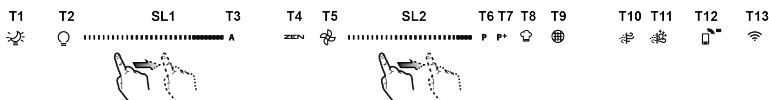
Hvis emhætten er udstyret med kulfilter(r), skal dette(e) fjernes.

Filtrerende udgave

Den opslugede luft vil blive affedt og deodoriseret, før den returneres til rummet. For at bruge emhætten i denne version er det nødvendigt at installere et ekstra filtreringssystem baseret på aktivt kul.

BETJENINGSKNAPPER

Emhætten er udstyret med et betjeningspanel med mulighed for regulering af sugestyrken og lys til oplysning af kogeområdet.



- T1. ON/OFF "Night Light"
- T2. Kogepladelys ON/OFF – Valg af farvetemperatur
- T3. "Autolight"-funktion
- T4. "ZEN Mode"-funktion
- T5. ON/OFF Motor
- T6. "POWER BOOST 1"-funktion
- T7. "POWER BOOST 2"-funktion
- T8. "COOKSENSE" automatisk funktion
- T9. Indikator for filtermætning
- T10. ON/OFF funktion "Breath Daily Cycle"
- T11. ON/OFF funktion "Breath Intensive Cycle"
- T12. Indikatorlys for aktiv WI-FI-funktion
- T13. WI-FI forbindelse

T1. ON/OFF "NIGHT LIGHT"

Tryk for at tænde/slukke for den bløde omgivende belysning.

T2. TÆND/SLUK LYS PÅ KOGEPLADE – VALG AF FARVETEMPERATUR

Tryk for at tænde/slukke for kogepladebelysningen

- Med lysene tændt, rør ved **SL1** led-strimlen med fingrene til henholdsvis højre eller venstre for at øge eller mindske lysets intensitet.

Tryk igen (langt tryk) for at indstille belysningens farvetemperaturen.

- Rør **SL1** led-strimlen med fingrene til højre eller venstre for at indstille en koldere eller varmere lysfarve. Hvis der ikke er farveændring i 5 sekunder, blinker **SL1** på det indstillede farveniveau, og et akustisk signal angiver, at systemet har gemt den indstillede konfiguration.

Bemærk: lyset tændes i den sidste farve, der er indstillet, før den slukkes.

T3. "AUTOLIGHT"-FUNKTION

Tryk for at aktivere/deaktivere "Autolight"-funktionen.

Bemærk: Funktionen aktiveres kun, når emhætten er tilsluttet via wi-fi til kogepladen. Når funktionen er aktiveret, styres kogepladens lys automatisk i henhold til status for den tilsluttede kogeplade.

T4. "ZEN Mode"-FUNKTION

Tryk for at aktivere/deaktivere udsugningstilstanden "ZEN".

Funktionen giver mulighed for at aktivere den udsugningshastighed, der er det bedste kompromis mellem lydløshed og udsugningseffektivitet.

T5. ON/OFF MOTOR

Tryk for at tænde/slukke for udsugningsmotoren.

- Mens motoren kører, rør ved **SL2** led-strimlen med fingrene til henholdsvis højre eller venstre for at øge eller mindske sugehastigheden (effekt).

T6. "POWER BOOST 1"-FUNKTION

Med udsugningsmotoren tændt, tryk på T6 for at aktivere "POWER BOOST 1" (tidsindstillet) intensiv sugehastighed (effekt).

Bemærk: Efter 5 minutter fortsætter emhætten med at køre med den tidligere indstillede hastighed

T7. "POWER BOOST 2"-FUNKTION

Med udsugningsmotoren tændt, tryk på T7 for at aktivere "POWER BOOST 2" (tidsindstillet) intensiv sugehastighed (effekt).

Bemærk: Efter 5 minutter fortsætter emhætten med at køre med den tidligere indstillede hastighed.

T8. "COOKSENSE" AUTOMATISK FUNKTION

Emhætten indstiller automatisk hastigheden (effekt) af udsugning 1 og øges derefter, hvis de miljømæssige forhold registreret af emhættesensoren kræver det.

I mangel af ændringer i miljøforholdene slukker emhætten efter 5 minutter (hvis emhætten allerede er ved udsugningshastighed (effekt) 1).

Bemærk: For korrekt brug af denne funktion skal du først udføre "Justering af parametrene for automatisk funktion" (se det tilhørende afsnit).

Bemærk: under automatisk funktion, hvis brugeren handler på de andre funktioner, der regulerer hastigheden, deaktiveres selvventilationsfunktionen.

T9. FILTERMÆTNINGSINDIKATOR

Det er nødvendigt at vedligeholde emhættens filtre med jævne mellemrum.

Bemærk: indikatorerne aktiveres, når emhætten er tændt.

Tast **T9** tændt: udfør vedligeholdelse på fedtfilteret.

Tast **T9** blinker: udfør vedligeholdelse på det aktive kulfilter.

Nulstilling af indikatorer for filtermæthed:

Bemærk: denne operation skal udføres med emhætten tændt.

Tryk længe på tast **T9**; lyset slukkes for at indikere, at nulstillingen har fundet sted.

Aktivering af indikatorer for mætning af aktivt kulfilter.

Bemærk: denne operation skal udføres med udsugningsmotoren slukket.

Denne indikator er normalt slukket; den skal aktiveres, hvis emhætten er installeret i filtreringsversionen, derfor ved tilstedeværelse af kulfiltre.

Tryk og hold tasterne **T1** og **T10** nede samtidigt for at aktivere funktionen: tasterne lyser for at angive vellykket aktivering.

For at deaktivere funktionen skal du trykke på de samme taster (**T1** og **T10**) igen i lang tid: tasterne blinker kort og slukker derefter for at angive deaktivering.

T10. ON/OFF DRIFTSFUNKTIONEN "BREATH DAILY CYCLE"

Emhætten indstiller automatisk hastigheden (effekt) af udsugning **1** og øges derefter, hvis de miljømæssige forhold registreret af emhættesensoren kræver det.

Hvis der ikke er variationer i udsugningshastigheden, baseret på de detekterede miljøforhold, slukkes emhætten efter 2 timer.

Under alle omstændigheder, efter 5 timer deaktiveres emhætten alligevel, tvungent.

Bemærk: For korrekt brug af denne funktion skal du først udføre "Indstilling af parametre for automatisk funktion" (se relateret afsnit).

T11. ON/OFF DRIFTSFUNKTIONEN "BREATH INTENSIVE CYCLE"

Emhætten indstiller automatisk hastigheden (effekt) af udsugning **5** og øges derefter, hvis de miljømæssige forhold registreret af emhættesensoren kræver det.

Hvis der ikke er variationer i udsugningshastigheden, baseret på de detekterede miljøforhold, slukkes emhætten efter 2 timer.

Under alle omstændigheder, efter 5 timer deaktiveres emhætten alligevel, tvungent.

Bemærk: For korrekt brug af denne funktion skal du først udføre "Justering af parametrene for automatisk funktion" (se det tilhørende afsnit).

T12. LYSINDIKATOR FOR AKTIV WI-FI-FUNKTION

Indikatoren lyser, når emhætten fjernbetjenes via appen.

T13. WI-FI FORBINDELSE

Tryk for at aktivere/deaktivere wi-fi-funktionerne.

Denne funktion giver dig mulighed for at tilslutte produktet til internettet og fjernovervåge/styre emhætten via en smartphone eller tablet.

For at bruge wi-fi-funktionen skal apparatet tilsluttes det trådløse hjemmenetværk (internet) ifølge konfigurationsproceduren, som er beskrevet i instruktionerne "WI-FI MANUAL".

JUSTERING AF PARAMETRE FOR AUTOMATISK FUNKTION

For at bruge den automatiske funktion korrekt skal du udføre "Kalibrering af emhætten" og "Valg af kogeplade".

Emhættekalibrering

Bemærk: denne operation skal udføres i standby-tilstand, dvs. 1 minut efter, at motoren er slukket. Tryk på knappen **T4** i 5 sekunder.

Sugehastighed (effekt) **1** begynder at virke, og tast **T4** blinker for at indikere, at kalibrering af emhætten er begyndt, hvilket vil vare i ca. 5 minutter.

Bemærk: For at afbryde kalibreringen skal du trykke på **T4** i 5 sekunder; kalibreringen vil blive ugyldig og skal derfor gentages.

Bemærk: Når produktet tændes for første gang, udføres kalibrering automatisk: **T4** blinker; vent derefter 5 minutter på, at

kalibreringen er fuldført.

Valg af kogeplade

Bemærk: denne operation skal udføres i standby-tilstand, dvs. 1 minut efter, at motoren er slukket. Tryk på knappen **T10+T11** i 5 sekunder.

Tasterne **T10** og **T11** tænder.

Tryk på tast **T10** hvis der er tale om en gaskogeplade - tasten blinker for at angive, at valget er foretaget.

Tryk på tast **T11** hvis der er tale om en elektrisk kogeplade - tasten blinker for at angive, at valget er foretaget.

Den tast, der trykkes på, blinker i 3 sekunder, hvilket indikerer, at valget er blevet gemt.

OPRETTELSE AF WI-FI-FORBINDELSE

FJERNSTYRING/PROCEDURE TIL KONFIGURATION AF APPLIKATIONEN “Whirlpool 6th Sense Live”

Med applikationen **Whirlpool 6th Sense Live** kan man kontrollere og fjernstyre apparatet med en ekstern enhed. For at aktivere fjernstyring af enheden er det nødvendigt at udføre forbindelseskonfigurationsproceduren. Denne procedure er nødvendig for at registrere enheden og tilslutte den til hjemmenetværket. Konfigurationsproceduren skal kun udføres én gang. Konfigurationsproceduren skal kun udføres igen, hvis routerens egenskaber ændres (netværksnavn, adgangskode eller dataleverandør).

1.1 INDEN KONFIGURATIONSPROCEDUREN

1. For at udføre proceduren er det nødvendigt at have: En smartphone eller tablet med Android 7.0-operativsystem (eller nyere) eller en iPad eller iPhone med iOS 11-operativsystem (eller nyere), + en 2.4 GHz b/g/n wi-fi-router tilsluttet internettet (kontrollér med din smartphone eller tablet, at signalet for det trådløse hjemmenetværk dækker området, hvor apparatet er).
2. Hent og installer den gratis Whirlpool 6th Sense Live-applikation på din Android smartphone eller tablet eller på din iPad/iPhone fra online butikken. I appen finder du alle de nødvendige instruktioner til installationsproceduren. Hvis du endnu ikke har en konto, skal du oprette en og tilmelde dig tjenesten (ved at underskrive de juridiske vilkår) for at kunne bruge appens funktioner.
3. Registrér dit apparat ved at følge vejledningen i appen. Til registreringsproceduren kræves SAID-koden (Smart Appliance Identifier), som står på etiketten på apparatet. SAID-koden er en kombination af tal og bogstaver (10 tegn). Skriv SAID-koden på dit apparat ned her:

SAID

1.2 INDEN KONFIGURATIONSPROCEDUREN

- Før du starter installationen, skal du tænde for routeren og kontrollere, at hjemmenetværkets signal dækker apparatet. Hvis du vil kontrollere wi-fi-signalet dækning, skal du bruge en tablet eller smartphone, der kun er tilsluttet routeren, deaktivere alle andre forbindelser og nærme enheden til apparatet. Åbn en tilfældig internetside i en browser, og kontrollér, at den åbnes hurtigt og korrekt. Hvis dit hjemmenetværk fungerer korrekt, men siden ikke kan hentes, skal du muligvis installere en wi-fi-udvidelsesenhed (følger ikke med apparatet).
- Hvis din router understøtter WPS 2.0 (eller nyere), skal du følge den automatiske konfigurationsprocedure for at tilslutte apparatet til routeren. Hvis routeren ikke understøtter WPS, skal du følge den manuelle

Følg instruktionerne i appen Whirlpool 6th Sense Live på din tablet eller smartphone for at tilslutte apparatet til dit wi-fi.

Eller udfør den automatiske eller manuelle forbindelsesprocedure, som er beskrevet i de følgende afsnit.

1.2.1 AUTOMATISK KONFIGURATION (FØRSTE BRUG) – WPS-METODE

Denne procedure kan kun bruges, hvis routeren understøtter WPS 2.0 (eller nyere versioner)

1. Aktivér genkendelsesprocessen på apparatet ved at trykke på tilslutningsknappen i tre sekunder (du hører en bekræftelseslyd). Apparatet er indstillet til at "søge" efter et lokalt netværk. Tilslutningsikonet på apparatet begynder at blinke hurtigt.
2. Tryk på WPS-knappen på routeren for at oprette forbindelse mellem de to enheder. En kontrollampe på routeren begynder at blinke.
3. Når apparatet opretter forbindelse til den lokale router, begynder wi-fi-ikonet at blinke langsommere (denne funktion understøttes ikke på alle apparater).
4. Apparatet forsøger at oprette forbindelse til backend-systemet. Tilslutningsikonet forbliver tændt. Hvis wi-fi-ikonet ikke holder op med at blinke efter et par minutter, betyder det, at apparatet ikke har oprettet forbindelse til hjemmenetværket via WPS. Prøv at gentage proceduren. Hvis det mislykkes, skal du bruge den manuelle konfigurationsprocedure.
5. Forbindelsen til wi-fi-netværket kan afbrydes ved at trykke på tilslutningsknappen.

1.3 DEAKTIVERING / AKTIVERING AF WI-FI-FORBINDELSE

For at deaktivere apparatets forbindelse til wi-fi-netværket skal du trykke på tilslutningsknappen i 5 sekunder (du hører en bekræftelseslyd). Wi-fi-ikonet på apparatets display skal slukke.

For at genoprette apparatets wi-fi-forbindelse skal du trykke på wi-fi-knappen på apparatet.

Når forbindelsen er konfigureret, kan du deaktivere den og afbryde apparatets forbindelse til wi-fi-netværket ved at trykke på tilslutningsknappen i 10 sekunder (du hører to bekræftelseslyde, den første efter 5 sekunder og den anden efter 10 sekunder).

Wi-fi-ikonet på apparatets display skal slukke.

Følg proceduren beskrevet i afsnittet "Forberedelse til konfiguration" for at tilslutte apparatet til hjemmenetværket igen.

1.4 MANUEL KONFIGURATION (FØRSTE BRUG) - MICRO ACCES POINT METODE

Denne procedure bruger Micro Access Point-teknologi og kan bruges med routere, der ikke understøtter WPS.

1. Inde du starter konfigurationsproceduren, skal du skrive navn (SSID) og adgangskode til hjemmenetværket og apparatets SAID-kode. Disse data er nødvendige for installationen.
2. Tænd for routeren, kontrollér, at internetforbindelsen er aktiv, og tilslut din smartphone/tablet til wi-fi-netværket.
3. Aktivér genkendelsesprocessen på apparatet ved at trykke på tilslutningsknappen i 5 sekunder (du hører to bekræftelseslyde, den første efter 3 sekunder, den anden efter 5 sekunder) • wi-fi-ikonet begynder at blinke på apparatets grænseflade.
4. Scan QR-koden på etiketten, der sidder på apparatet: Whirlpool 6th Sense Live-appen vejleder dig gennem proceduren. Bemærk: I nogle tilfælde kan appen muligvis kræve, at du angiver dit apparats type: i dette tilfælde skal du vælge Emhætte.
5. Når forbindelsen er oprettet, skal wi-fi-ikonet på apparatet holde op med at blinke og forblive tændt. Ellers skal du frakoble apparatet fra strømforsyningen, tilslutte det igen og gentage proceduren.
6. Konfigurationsproceduren er gennemført.

1.5 FJERNSTYRING / DAGLIG BRUG

Denne funktion findes kun på nogle typer apparater.

1. Sørg for, at routeren er tændt og tilsluttet internettet.
2. Sørg for, at kontrollampen for wi-fi-forbindelse på apparatets display lyser konstant.
3. **Whirlpool 6th Sense Live**-appen giver dig mulighed for at fjernstyre apparatet. Du kan især:
 - kontrollere apparatet og aktivere forskellige funktioner, også når du ikke er hjemme.
 - få adgang til yderligere funktioner, som f.eks. Smart Energy-funktionen
 - optimere energiforbruget, for eksempel ved at udnytte de mest passende tidsintervaller.
 - få adgang til flere oplysninger om brug af apparatet.
 - kontrollere apparatets tilstand og om der er behov for vedligeholdelse (f.eks. udskiftning af filtre).
 - Synkronisere emhætten med den compatible pyrolytiske kogeplade og ovn, så apparatet kan aktiveres fuldautomatisk.

1.6 HURTIG IDENTIFIKATION AF APPARATETS FORBINDELSSTATUS

Hvis kontrollampen for wi-fi-forbindelse på apparatets display blinker hurtigt, betyder det, at apparatet forsøger at oprette forbindelse til routeren. Hvis kontrollampen blinker langsomt, betyder det, at apparatet er tilsluttet routeren, men ikke kan oprette forbindelse til internettet (for eksempel fordi ADSL-netværket ikke fungerer). Nogle typer apparater understøtter ikke forskellige blinkhastigheder.

Hvis kontrollampen lyser konstant, betyder det, at apparatet er tilsluttet internettet og til Whirlpool-skysystemet.

1.7 OFTE STILLEDE SPØRSMÅL OM WI-FI-FORBINDELSE

Hvilke wi-fi-protokoller understøttes?

Den installerede wi-fi-adapter understøtter b/g/n wi-fi-forbindelse til europæiske lande.

Hvilke indstillinger skal konfigureres i routerens software?

Følgende indstillinger kræves til routeren: 2.4 GHz aktiveret, wi-fi b/g/n, DHCP og NAT aktive.

Hvilken WPS-version understøttes?

WPS 2.0 eller nyere versioner. Se din routers dokumentation.

Er der forskelle mellem Android og iOS-smartphones (eller tablets)?

Der er ingen forskel, du kan bruge begge operativsystemer ligegyldigt.

Er det muligt at bruge tethering via telefonen i stedet for en router?

Ja, men skytjenesterne er udtænkt til permanente tilsluttede enheder.

HHvordan kan jeg kontrollere, om min internetforbindelse fungerer og at den trådløse forbindelse er oprettet?

Du kan søge efter din smart-enhed på netværket. Inden du prøver, skal du deaktivere alle andre dataforbindelser.

Hvordan kan jeg kontrollere, om apparatet er tilsluttet mit hjemmenetværk?

Gå ind i konfiguration af router (se routerens vejledning), og kontrollér, at apparatets MAC-adresse findes på listen over trådløst tilsluttede enheder.

Hvor finder jeg apparatets MAC-adresse?

På selve apparatet:

på etiketten med SAID- og MAC-adresserne.

MAC-adressen består af en kombination af tal og bogstaver, der begynder med "88:e7".

Hvordan kan jeg kontrollere, om apparatets trådløse funktionalitet er aktiveret?

Brug din smartphone eller tablet til at kontrollere i Whirlpool 6th Sense Live-appen, at apparatets netværk er synligt og forbundet til skyen.

Hvad kan forhindre signalet i at nå apparatet?

Kontrollér, at de tilsluttede enheder ikke optager den tilgængelige båndbredde fuldstændigt.

Kontrollér, at antallet af enheder, der er tilsluttet wi-fi-forbindelsen, ikke overskrider den maksimale grænse, der understøttes af routeren.

Hvad skal afstanden være mellem routeren og apparatet?

Normalt dækker wi-fi-signalet et par værelser, men den reelle rækkevidde afhænger stort set af væggenes materiale. Du kan kontrollere signalets dækning ved at nærme din smartphone eller tablet til apparatet.

Hvad kan jeg gøre, hvis den trådløse forbindelse ikke når apparatet?

Specifikke enheder kan bruges til at forbedre det trådløse wi-fi-netværks dækning, f.eks. access point, wi-fi-repeater og Power-line broer (følger ikke med apparatet).

Hvor kan jeg finde navnet og adgangskoden på det trådløse netværk?

Se din routers dokumentation. Normalt er der en etikette på routeren med de oplysninger, der er nødvendige for at få adgang til konfigurationssiden via en tilsluttet enhed.

Hvad skal man gøre, hvis routeren bruger naboernes wi-fi-forbindelse?

Indstil routeren til at bruge hjemmenetværket.

Hvad kan jeg gøre, hvis kontrollampen for wi-fi-forbindelse fortsætter med at blinke langsomt og ikke forbliver konstant tændt, eller hvis jeg ikke kan oprette en stabil forbindelse med mit hjemmenetværk?

Apparatet kan muligvis oprette forbindelse til routeren, men kan ikke få adgang til internettet. Kontrollér routerens og/eller linjens indstillinger, når du tilslutter apparatet til internettet.

Routerens indstillinger: NAT skal være aktiv, Firewall og DHCP skal være konfigureret korrekt. Understøttede krypteringstyper til adgangskoder: WEP, WPA, WPA2. Hvis du ønsker at bruge en anden type kryptering, skal du læse routerens vejledning.

Linjens indstillinger: Hvis din internetudbyder har oprettet en grænse for MAC-adresser, der kan oprette forbindelse til

internettet, kan du muligvis ikke forbinde apparatet til skyen.

MAC-adressen er en unik identifikator og er forskellig for hver enhed. Du skal spørge din internetudbyder om proceduren, der skal følges for at oprette forbindelse til internettet for andre enheder end computere.

Hvordan kan jeg kontrollere, om dataene sendes?

Når du har konfigureret netværket, skal du slukke for apparatet, vente 20 sekunder og tænde det igen: Kontrollér, at appen viser status for apparatets brugergrænseflade.

For nogle indstillinger tager det flere sekunder, før de vises i appen.

Kan jeg ændre min Whirlpool 6th-konto, mens apparaterne er tilsluttede?

Du kan godt oprette en ny konto, men du skal huske at afbryde forbindelsen mellem dine enheder og den gamle konto, inden du tilslutter enhederne til den nye konto.

Hvad skal jeg gøre, hvis jeg skifter router?

Du kan beholde de samme konfigurationsparametre (netværkets navn og adgangskode) eller slette de foregående indstillinger fra enheden og gentage **konfigurationsproceduren**.

VEDLIGEHOLDELSE

- **Rengøring:** Anvend UDELUKKENDE en fugtig klud med flydende neutrale rengøringsmidler til rengøringen. Brug ikke værktøj eller redskaber til rengøringen.

- **✘A Fedtfilter:** Det skal rengøres en gang om måneden (eller når filtermætningsindikatorssystemet - hvis det findes på din model - indikerer dette behov), med ikke-aggressive rengøringsmidler, manuelt eller i opvaskemaskinen ved lave temperaturer og i en kort cyklus.

Ved vask i opvaskemaskine, risikerer fedtfilteret at blive misfarvet, men dette vil ikke forringe dets filtrerende egenskaber.

- Fedtfilteret tilbageholder fedtpartiklerne fra madlavningen. Ved vask i opvaskemaskine, risikerer fedtfilteret at blive misfarvet, men dette vil ikke forringe dets filtrerende egenskaber.

- **✘B Kulfilter (kun til filterversion):** Det er nødvendigt at udskifte patronen mindst hver fjerde måned. Den kan IKKE vaskes eller regenereres. Som angivet i afsnittet på tegningen: Fjern fedtfilterene, anbring et kulfilter på siden, og sæt det fast i produktet. Sæt fedtfilterene på plads igen.

Belysning

- Lyssystemet er baseret på LED-teknologi. LED'erne garanterer optimal belysning, med en varighed op til 10 gange længere end traditionelle lamper og giver dig mulighed for at spare 90 % af elektriciteten.

- **Belysningssystem :** Belysningssystemet kan ikke udskiftes af brugeren, kontakt servicecenteret i tilfælde af funktionsfejl.

BORTSKAFFELSE VED ENDT LEVETID



Dette apparat er mærket i overensstemmelse med det europæiske direktiv 2012/19/EU - UK SI 2013 Nr. 3113, om affald af elektrisk og elektronisk udstyr (WEEE).

Sørg for, at produktet bortskaffes korrekt. Gennem en korrekt bortskaffelse bidrager brugeren til at beskytte miljøet og sundheden. Symbolet med skraldespanden, der er anført på produktet eller i den medfølgende dokumentation, angiver, at dette produkt ikke må bortskaffes sammen med usorteret husholdningsaffald. Det skal indsamles bortskaffes gennem et af indsamlingspunkterne til genbrug af elektrisk og elektronisk udstyr. Produktet skal derfor bortskaffes i henhold til de lokale bestemmelser vedrørende bortskaffelse af affald. Yderligere oplysninger angående håndtering, genvinding og genbrug af dette produkt kan fås ved at rette henvendelse til bopælskommunens tekniske forvaltning, til genbrugsstationerne eller til butikken, der har solgt produktet.



Emballagen er 100% genanvendelig og er markeret med genbrugssymbolet

LOVREGULERING

Apparatur designet, afprøvet og konstrueret i overensstemmelse med sikkerhedsbestemmelserne i: EN/IEC 60335-1; EN/IEC 60335-2-31, EN/IEC 62233. Ydeevne: EN/IEC 61591; ISO 5167-1; ISO 5167-3; ISO 5168; EN/IEC 60704-1; EN/IEC 60704-2-13; EN/IEC 60704-3; ISO 3741; EN 50564; IEC 62301. EMC: EN 55014-1; CISPR 14-1; EN 55014-2; CISPR 14-2; EN/IEC 61000-3-2; EN/IEC 61000-3-3.

DRIFTSFEJL

Hvis noget ikke ser ud til at virke, før du ringer til eftersalgsservicen, skal du udføre følgende enkle kontroller:

- Hvis emhætten ikke virker:

Bekræft at:

- Der ikke er strømsvigt

- Der er valgt en hastighed

- Hvis emhætten fungerer dårligt:

Bekræft at:

- Det valgte motoromdrejningstal er tilstrækkeligt til mængden af frigivet røg og dampe.

- Køkkenet er tilstrækkeligt ventileret til, at luft kan suges ind.

- Kulfilteret ikke er slidt (emhætte i filtrerende version).

- Hvis emhætten har slukket sig under normal drift:

Bekræft at:

- der ikke er strømsvigt.

- den omnipolære afbrydelsesanordning ikke er udløst.

I tilfælde af driftsuregelmæssigheder, før du kontakter eftersalgsservicen, skal du afbryde forbindelsen i mindst 5 sek. apparatet fra strømforsyningen ved at tage stikket ud og derefter tilslutte det igen. I tilfælde af at fejlen fortsætter, skal du kontakte service centret.

TEKNISK DATA

Højde (cm)	Bredde (cm)	Dybde (cm)	Ø på udledningsrøret (cm)
110-129,5	89,8	32	15

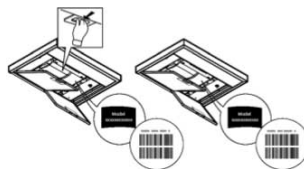


Komponenter, der ikke følger med produktet



For at downloade sikkerhedsinstruktionerne, brugermanualen, det tekniske datablad og energidata:

- Besøg hjemmesiden docs.whirlpool.eu
- Brug QR-koden
- Du kan også **kontakte eftersalgsservicen** (på telefonnummeret vist i garantihæftet). Når du kontakter eftersalgsservicen, skal du angive de koder, der er vist på produktets typeskilt.



YLEINEN TURVALLISUUS

• Älä tee sähköisiä tai mekaanisia muutoksia tuotteeseen tai poistokanaviin.
 • Ennen huoltotoimenpiteiden aloittamista kytke laite irti sähköverkosta irrottamalla pistoke tai kytkemällä huoneiston pääkatkaisin pois päältä. • Kaikkien asennukseen ja huoltoon liittyvien toimenpiteiden aikana suojaa kädet työkäsineillä. • Tuotteen käyttö on sallittu vähintään 8-vuotiaalle lapsille ja sellaisille henkilöille, joiden fyysinen, aisteihin liittyvä tai henkinen toimintakyky on rajoittunut tai joilla ei ole kokemusta tai tietoa laitteen käytöstä sillä ehdolla, että heitä valvotaan ja opastetaan laitteen turvalliseen käyttöön liittyen ja että he tuntevat sen käyttöön liittyvät vaarat. • Lapsia tulee valvoa, etteivät he leikkisi tuotteella. • Lapset eivät saa suorittaa puhdistusta ja huoltoa ilman valvontaa. • Tilassa tulee olla riittävä tuuletus, kun tuotteen käyttöhetkellä käytetään myös muita laitteita, jotka toimivat kaasulla tai muilla polttoaineilla. • Tuote tulee puhdistaa usein sekä sisä- että ulkopuolelta (VÄHINTÄÄN KERRAN KUUKAUDESSA), noudattamalla joka tapauksessa huolto-ohjeessa nimenomaisesti annettuja aikoja. • Jos suodatinten vaihtoa/puhdistusta ja tuotteen puhdistusta koskevia ohjeita ei noudateta, vaarana on tulipalo. • On ehdottomasti kiellettyä valmistaa ruokia liekillä tuotteen alla. **VAROITUS:** Kun keittotaso on toiminnossa, tuotteen näkyvissä olevat osat voivat kuumentua. • Älä liitä tuotetta sähköverkkoon ennen kuin asennus on suoritettu kokonaan. • Mitä sovellettaviin tekniisiin turvallisuusmääräyksiin tulee, noudata paikallisten pätevien viranomaisten antamia määräyksiä. • Imettyä ilmaa ei saa ohjata kanavaan, jota käytetään kaasua tai muita polttoaineita käyttävien laitteiden savujen poistoon. • Älä käytä tuotetta tai jätä sitä siten, että sen lamppuja ei ole asennettu oikein. Muuten olemassa on sähköiskun vaara. • Tuotetta ei tule KOSKAAN käyttää ilman oikeaoppisesti asennettua ritilää. • Tuotetta ei saa KOSKAAN käyttää laskutasona, ellei näin ole nimenomaisesti ilmoitettu.

• Käytä asennuksessa ainoastaan tuotteen mukana tulevia kiinnitysruuveja. Jos ne eivät kuulu toimitukseen, hanki kooltaan oikeat ruuvit. Käytä pituudeltaan oikean kokoisia ruuveja, jotka on osoitettu asennusohjeessa.

• **Varoitus!** Jos ruuveja ja kiinnitystarvikkeita ei ole asennettu ohjeiden mukaisesti, olemassa on sähköiskun vaara.

• Kun vaihdat lampun, käytä vain lampun tyyppiä, joka on kerrottu tämän ohjekirjan huolto/valaistusjärjestelmää koskevassa osiossa. • Avoliekin käyttö on vahingollista suodattimille ja voi aiheuttaa tulipaloja. Näin ollen sen käyttöä on vältettävä joka tapauksessa. • Friteerausta ja paistamista on valvottava jatkuvasti, jotta voidaan välttää ylikuumentuneen öljyn syttyminen. • Jos et ole varma jostakin, ota yhteys valtuutettuun huoltokeskukseen tai muuhun vastaavaan pätevään henkilökuntaan.

Varoitus! Älä käytä ohjelmointilaitteen, ajastimen, erillisen kauko-ohjaimen tai minkään muun automaattisesti aktivoituvan laitteen kanssa.

• Keittolaitteen astioiden tukipinnan ja liesituulettimen alimman osan välisen vähimmäisetäisyyden on oltava vähintään 50 cm sähköliesien osalta ja 65 cm kaasu- ja sekaliesien osalta.

Jos kaasua käyttävän kypsennyslaitteen asennusohjeissa annetaan suurempi etäisyys, tämä tulee ottaa huomioon.

Pidä alle 3-vuotiaita lapsia loitolla laitteesta. Pidä laite poissa alle 8-vuotiaiden ulottuvilta ellei aikuinen henkilö valvo heidän toimintaansa jatkuvasti.

⚠ VAROITUS: laitetta ei ole tarkoitettu otettavaksi käyttöön ulkoisen laitteen avulla tai käyttämällä erillistä kauko-ohjausjärjestelmää.

⚠ Tämä laite ei ole tarkoitettu ammattimaiseen käyttöön. Älä käytä laitetta ulkona.

⚠ Loukkaantumista koskevien vaarojen välttämiseksi, laitetta on liikutettava ja se on asennettava kahden tai useamman henkilön toimesta.

⚠ Asennus, joka koskee myös mahdollisia vesijohtoliitoksia (mikäli kuuluu asennukseen) ja sähköliitäntöjä sekä korjaustoimenpiteet on suoritettava pätevän henkilöstön toimesta.

Kun asennus on valmis, säilytä pakkausmateriaaleja (muovi- ja polystyreeniosat tms.) pois lasten ulottuvilta tukehtumisvaaran välttämiseksi.

Älä käytä laitetta kun olet märkä tai paljain jaloin.

Älä koskaan käytä höyrypuhdistimia - sähköiskun vaara.

Pakkausmateriaali on 100-prosenttisesti kierrätettävä, ja siinä on kierrätysymboli 

Laitte saattaa olla erinäköinen kuin käyttöohjeen kuvissa näkyvä malli. Käytön, asennuksen ja huollon ohjeet ovat kuitenkin samat.

Noudata tarkasti tässä ohjekirjassa annettuja ohjeita. Valmistaja ei vastaa ohjekirjassa annettujen ohjeiden noudattamatta jättämisestä laitteelle aiheutuneista haitoista, vahingoista tai tulipaloista. Laitte on tarkoitettu ainoastaan elintarvikkeiden kypsennykseen kotitaloudessa sekä kypsennyksestä syntyvien savujen imuun. Mikä tahansa muu käyttö (esimerkiksi huoneen lämmittäminen) on kielletty. Valmistaja ei vastaa väärästä tai ohjeiden vastaisesta käytöstä aiheutuvista vahingoista.

• Lue käyttöohjeet huolellisesti: ne sisältävät tärkeää tietoa laitteen asennuksesta, käytöstä ja turvallisuudesta.

• Älä tee muutoksia laitteen sähköliitäntöihin.

• Ennen laitteen asennusta tarkista, että kaikki osat ovat ehjiä. Jos laitteessa on viallisia osia, ota yhteys jälleenmyyjään ja keskeytä asennus.

• On tärkeää säilyttää kaikki tuotteen mukana toimitetut ohjekirjat, jotta niitä voidaan käyttää tarvittaessa. Mikäli laite myydään tai luovutetaan uudelle omistajalle tai jos laitteen käyttäjä muuttaa, on varmistettava, että ne kulkevat laitteen mukana.

SÄHKÖKYTKENTÄ

Verkkovirran jännitteen on vastattava liesituulettimen sisään kiinnitetyssä tarrassa osoitettua jännitettä. Jos liesituuletin on varustettu pistorasialla, kytke se pistorasiaan, joka on voimassa olevien standardien mukainen ja joka sijaitsee

helppopääsyisessä paikassa myös asennuksen jälkeen. Jos pistoketta ei ole (suora liitäntä verkkoon) tai jos pistoke ei ole paikassa, johon pääsisi helposti, laita (asennuksenkin jälkeen) määräysten mukainen kaksinapainen kytkin, joka takaa täydellisen verkon irtikytkemisen ylijännitekategorian III olosuhteissa asennusmääräysten mukaisesti.

● **Varoitus!** Tarkista aina, että verkkojohto on asennettu oikealla tavalla ennen kuin yhdistät laitteen sähköverkkoon, ja tarkista että se toimii oikein.

Älä käytä jatkojohtoja, moniosaisia pistorasioita tai adpatereita.

Verkkotaajuus - ja jännite

Viittaa liesituulettimen sisällä olevaan ominaisuudet sisältävään tarraan.

Johtojen kytkentä

⚡: keltainen/vihreä

N: sininen

L: ruskea

Virtajohdon vaihto

Liesituuletin on varustettu erityisellä virtajohdolla; jos johto on vaurioitunut, pyydä se huoltopalvelusta.

ILMANPOISTO

(imumalleille)

Liitä liesituuletin putkiin ja seinän ulostuloaukkoihin, joiden halkaisija vastaa ilman ulostuloaukkoa (liitoslaippa).

Jos käytetään halkaisijaltaan pienempiä putkia ja seinässä olevia poistoaukkoja, imukyky heikkenee ja melu lisääntyy huomattavasti.

Näin ollen kaikki siihen liittyvä vastuu hylätään.

! Käytä mahdollisimman lyhyttä putkea.

! Käytä putkea jossa on mahdollisimman vähän käänteitä (käänteen maksimi kulma: 90°).

! Vältä äkillisiä muutoksia putken halkaisijassa.

! Yritys ei ota vastuuta, jos näitä sääntöjä ei noudateta.

SUODATTAVA VAI IMURI?

! Hankkimasi liesituuletin on valmis käytettäväksi imuriversiona.

Jos liesituuletinta halutaan käyttää suodatinversiossa, on asennettava asianmukainen LISÄVARUSTESARJA.

Tarkista tämän käyttöoppaan ensimmäisiltä sivuilta, onko LISÄVARUSTESARJA jo toimitettu vai onko se ostettava erikseen.

Huomio: Jos se on toimitettu lisävarusteena, joissakin tapauksissa aktiivihiilisuodatinjärjestelmä voi olla jo asennettu liesituulettiimeen.

Tässä käyttöoppaassa on jo tietoja siitä, miten liesituuletin muunnetaan imurimallista suodatinversioksi.

Imurimalli

Höyryt poistetaan ulospäin liitoslaippaan kiinnitetyn poistoputken välityksellä.

⚠ VAROITUS

Poistoputki ei kuulu toimitukseen: se on ostettava erikseen.

Poistoputken halkaisijan tulee olla kooltaan vähintään liitäntäputken liitosrenkaan halkaisijan kokoinen.

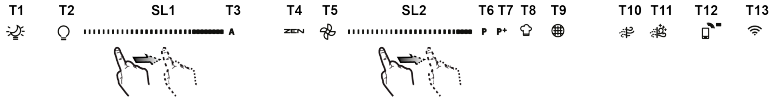
Jos liesituuletin on varustettu hiilisuolettimella/suodattimilla, ne on irrotettava.

Suodattava malli

Imuilman rasva ja haju poistetaan ennen kuin se ohjataan takaisin huoneeseen. Jotta liesituuletinta voidaan käyttää tässä versiossa, on asennettava ylimääräinen aktiivihiilisuolettinjärjestelmä.

OHJAUKSET

Die Dunstabzugshaube ist mit einer Bedienungsblende ausgestattet, die mit einer Steuerung für die Ansaugstärke bzw. -geschwindigkeit, sowie einer Steuerung zur Einstellung der Arbeitsplatzbeleuchtung versehen ist.



- T1. ON/OFF "Night Light"
- T2. Keittotason valojen ON/OFF – Värin lämpötilan valina
- T3. "Autolight"-toiminta
- T4. "ZEN Mode" -toiminta
- T5. Moottori ON/OFF
- T6. "POWER BOOST 1" -toiminta
- T7. "POWER BOOST 2" -toiminta
- T8. Automaattinen "COOKSENSE"-toiminta
- T9. Suodattimien kyllästymisen osoitin
- T10. "Breath Daily Cycle" -toimintatilan ON/OFF
- T11. "Breath Intensive Cycle" -toimintatilan ON/OFF
- T12. Aktiivisen WI-FI-toiminnon valoilmaisin
- T13. WI-FI-liitäntä

T1. ON/OFF "NIGHT LIGHT"

Paina laittaaksesi päälle / pois ympäristön tunnelmavalaistuksen.

T2. KEITTOTASON VALOJEN ON/OFF – VÄRIN LÄMPÖTILAN VALINTA

Paina laittaaksesi päälle / pois ympäristön keittotason valaistuksen

- Kun valot palavat, hipaise led-liuskaa **SL1** sormilla järjestyksessä oikealle tai vasemmalle lisätäksesi tai vähentääksesi valon voimakkuutta.

Paina uudelleen (pitkään) asettaaksesi valaistuksen värin lämpötilan.

- Hipaise led-liuskaa **SL1** sormilla oikealle tai vasemmalle asettaaksesi kylmän tai lämpimän valon värin. Jos väri ei muutu 5 sekuntiin, **SL1** vilkkuu asetetulla väritasolla ja äänimerkki osoittaa, että järjestelmä on tallentanut asetetun määrittäksen.

Huomaa: valo syytty viimeisellä värillä, joka asetettiin ennen sammutusta.

T3. "AUTOLIGHT"-TOIMINTA

Paina automaattisen "Autolight"-toiminnon kytkemiseksi päälle/pois päältä.

Huomio: Toiminto aktivoituu vain kun liesituuletin on liitettyä keittotasoon wi-fi-yhteyden välityksellä. Kun toiminto on aktivoitu, keittotason valoa hallinnoidaan automaattisesti liitetyn keittotason tilan mukaan.

T4. "ZEN MODE" -TOIMINTA

Paina laittaaksesi "ZEN"-imutilan päälle/pois päältä.

Tästä toiminnoista aktivoidaan immunopeus, joka yhdistää optimaalisesti hiljaisuuden ja imutehon.

T5. MOOTTORIN ON/OFF

Paina käynnistääksesi/sammuttaaksesi imumoottorin.

- Kun moottori on päällä, hipaise led-liuskaa **SL2** sormilla oikealle tai vasemmalle imunopeuden (tehon) lisäämiseksi tai vähentämiseksi.

T6. "POWER BOOST 1" -TOIMINTA

Kun imumoottori on päällä, paina T6 aktivoidaksesi tehoimunopeuden (tehon) "POWER BOOST 1" (ajastettu).

Huomio: Liesituuletin jatkaa toimintaansa aiemmin asetetulla nopeudella 5 minuutin jälkeen

T7. "POWER BOOST 2" -TOIMINTA

Kun imumoottori on päällä, paina T7 aktivoidaksesi tehoimunopeuden (tehon) "POWER BOOST 2" (ajastettu).

Huomio: Liesituuletin jatkaa toimintaansa aiemmin asetetulla nopeudella 5 minuutin jälkeen.

T8. AUTOMAATTINEN "COOKSENSE"-TOIMINTA

Liesituuletin asettaa automaattisesti imunopeuden (tehon) **1** ja lisää sitä sitten, jos liesituulettimen anturin havaitsemat ympäristöolosuhteet sitä edellyttävät.

Jos ympäristöolosuhteet muuttuvat, 5 minuutin kuluttua (jos liesituuletin on jo imunopeudessa (tehossa) **1**), liesituuletin sammuu.

Huomaa: tämän toiminnon oikeaoppista käyttöä varten suorita ensiksi "Parametrien säätö automaattista toimintaa varten" (katso vastaava kappale).

Huomaa: jos käyttäjä käyttää automaattisen toiminnan aikana muita, nopeutta säätäviä toimintoja, automaattisen tuuletuksen toiminto kytkeytyy pois päältä.

T9. SUODATINTEN KYLLÄSTYMISEN OSOITIN

Liesituuletin ilmoittaa säännöllisin aikaväleihin suodatiinten huoltotarpeesta.

Huomaa: ilmaisimet aktivoituvat liesituuletin päällä.

Näppäin **T9** palaa: suorita rasvasuodattimen huolto.

Näppäin **T9** vilkkuu: suorita aktiivihiilisuodatin huolto.

Suodatinten kyllästymisen osoittimien nollaus:

Huomaa: tämä toimenpide on tehtävä liesituuletin päällä.

Pidä pitkään painettuna näppäintä **T9**; valo sammuu osoittaen näin, että nollaus on tehty.

Aktiivihiilisuodatin kyllästymisen osoittimen aktivointi.

Huomaa: tämä toimenpide on tehtävä imumoottori sammuksissa.

Tämä ilmaisin on yleensä pois päältä: se tulee aktivoida, jos liesituuletin asennetaan suodatusversiossa eli kun siinä on hiilisuodatin.

Pidä näppäimiä **T1** ja **T10** painettuina pitkään toiminnon aktivoimiseksi: näppäimet syttyvät osoittaen, että aktivointi on suoritettu.

Toiminnon pois päältä ottamiseksi paina uudelleen samoja näppäimiä (**T1** ja **T10**) ja pidä niitä painettuina pitkään: näppäimet vilkkuvat nopeasti ja sammuvat sitten osoittaen, että ne on otettu pois päältä.

T10. "BREATH DAILY CYCLE" -TOIMINTATILAN ON/OFF

Liesituuletin asettaa automaattisesti imunopeuden (tehon) **1** ja lisää sitä sitten, jos liesituulettimen anturin havaitsemat ympäristöolosuhteet sitä edellyttävät.

Imunopeuksien vaihtelun puuttuessa ja tunnistettujen ympäristöolosuhteiden mukaan liesituuletin sammuu 2 tunnin jälkeen.

Joka tapauksessa liesituuletin kytkeytyy pois päältä 5 tunnin kuluttua väkisin.

Huomaa: tämän toiminnon oikeaoppista käyttöä varten suorita ensiksi "Parametrien säätö automaattista toimintaa varten" (katso vastaava kappale).

T11. "BREATHY INTENSIVE CYCLE" -TOIMINTATILAN ON/OFF

Liesituuletin asettaa automaattisesti imunopeuden (tehon) **5** ja lisää sitä sitten, jos liesituulettimen anturin havaitsemat ympäristöolosuhteet sitä edellyttävät.

Imunopeuksien vaihtelun puuttuessa ja tunnistettujen ympäristöolosuhteiden mukaan liesituuletin sammuu 2 tunnin jälkeen.

Joka tapauksessa liesituuletin kytkeytyy pois päältä 5 tunnin kuluttua väkisin.

Huomaa: tämän toiminnon oikeaoppista käyttöä varten suorita ensiksi "Parametrien säätö automaattista toimintaa varten" (katso vastaava kappale).

T12. AKTIIVISEN WI-FI-TOIMINNAN VALOILMAISIN

Ilmaisin syttyy, kun liesituuletinta hallinnoidaan etänä sovelluksen välityksellä.

T13. WI-FI-LIITÄNTÄ

Paina WI-FI-toiminnon kytkemiseksi päälle/pois päältä.

Tämän toiminnon ansiosta tuote voidaan liittää Internetiin ja liesituuletinta voidaan monitoroida/valvoa etänä älypuhelimien tai tabletin välityksellä.

Wi-Fi-toiminnon käyttämiseksi, liitä laite langattomaan kotiverkkoon (Internet) noudattamalla ohjeissa "WI-FI-OHJEKIRJA" kuvattua konfigurointimenettelyä.

PARAMETRIEN SÄÄTÖ AUTOMAATTISTA TOIMINTAA VARTEN

Automaattisen toiminnan oikeaoppista käyttöä varten suorita "Liesituulettimen kalibrointi" ja "Keittotason valinta".

Liesituulettimen kalibrointi

Huomaa: Tämä toimenpide on tehtävä standby-tilassa eli 1 minuutti moottorin sammumisen jälkeen. Paina näppäintä **T4** ja pidä sitä painettuna 5 sekunnin ajan.

Imunopeus (teho) **1** alkaa toimia, ja näppäin **T4** vilkkuu osoittaen, että noin 5 minuuttia kestävä liesituulettimen kalibrointi on alkanut.

Huomaa: kalibroinnin keskeyttämiseksi paina **T4** ja pidä sitä painettuna 5 sekunnin ajan: kalibrointi mitätöityy ja tulee toistaa.

Huomaa: kun tuote kytketään virtaan, kalibrointi suoritetaan automaattisesti: **T4** vilkkuu: odota 5 minuuttia, että kalibrointi on

valmis.

Keittotason valinta

Huomaa:Tämä toimenpide on tehtävä standby-tilassa eli 1 minuutti moottorin sammumisen jälkeen. Paina näppäintä **T10+T11** ja pidä painettuna 5 sekunnin ajan.

Näppäimet **T10** ja **T11** syttyvät.

Paina näppäintä **T10** kaasukeittotason tapauksessa: näppäin vilkkuu osoittaen, että valinta on tehty.

Paina näppäintä **T11** sähköisen keittotason tapauksessa: näppäin vilkkuu osoittaen, että valinta on tehty.

Painettu näppäin vilkkuu 3 sekunnin ajan osoittaen, että valinta on tallennettu.

OHJEET WI-FI-YHTEYDEN LUONTIIN

ETÄOHJAUS/KONFIGUROINTIMENETTELY SOVELLUSOHJELMA “Whirlpool 6th Sense Live”

Sovellusohjelman **Whirlpool 6th Sense Live** avulla laite voidaan käynnistää ja sitä voidaan ohjata etäkäytöstä ulkoisen laitteen avulla. Jotta laitetta voitaisiin ohjata etäkäytöstä, suorita yhteyden konfigurointimenettely. Tämä menettely on tarpeen laitteen rekisteröimiseksi ja sen yhdistämiseksi kotiverkkoon. Konfigurointimenettelyn suorittamista vaaditaan yhden ainoan kerran. Se on suoritettava uudelleen vain jos selaimen ominaisuuksia muutetaan (verkon nimi, salasana tai tietojen toimittaja).

1.1 ENNEN KONFIGUROINTIMENETTELYN ALKAMISTA

1. Menettelyn suorittamiseksi, käytettävissä on oltava seuraavat: Älypuhelin tai tabletti jossa käyttöjärjestelmä Android 7.0 (tai korkeampi), tai Ipad tai iPhone jossa käyttöjärjestelmä IOS 11 (tai korkeampi); • WiFi-selain b/g/n 2.4 Ghz, joka on yhdistetty Internet-verkkoon (tarkista älypuhelimella tai tabletilla, että langattoman kotiverkon signaalin voimakkuus on hyvä laitteen läheisyydessä).
2. Lataa ja asenna ilmainen sovellusohjelma Whirlpool 6th Sense Live älypuhelimellesi tai android tabletille tai iPad/iPhoneen verkkokaupasta. Sovellusohjelma antaa kaikki tarvittavat ohjeet asennusmenettelyä varten. Jos sinulla ei ole vielä tilii, luo se ja kirjaudu palveluun (allekirjoittamalla lakisääteiset ehdot) hyödyntääksesi sovellusohjelmassa olevia toimintoja.
3. Rekisteröi laitteesi noudattamalla sovellusohjelmaan liittyviä ohjeita. Rekisteröintimenettelyä varten vaaditaan SAID-koodia (Smart Appliance Identifier), joka löytyy laitteeseen kiinnitetystä tarrasta. SAID-koodi koostuu numeroiden ja kirjainten yhdistelmästä (10 merkkiä). Merkitse tähän laitteesi SAID-koodi:

SAID

1.2 ENNEN KONFIGUROINTIMENETTELYN ALKAMISTA

- Ennen asennuksen alkamista, käynnistä selain ja tarkista, että langattoman kotiverkon signaali saavuttaa laitteen. Tarkistaaksesi WiFi-signaalin voimakkuuden, käytä pelkästään Wi-Fi-selaimen liitettyä tablettia tai älypuhelinlaitea, ja kytke pois päältä muut yhteydet ja vie laite lähelle selainta. Avaa mikä tahansa Internet-sivu selaimessa ja tarkista, että se latautuu nopeasti ja oikealla tavalla. Jos kotiyhteys Internet-verkkoon toimii oikein, mutta sivua ei ladata, voi olla tarpeen asentaa Wi-Fi-signaalinvahvistin (ei kuulu laitteiston varustukseen).
- Selain tukee WPS 2.0 (tai uudempia versioita), noudata automaattista konfigurointimenettelyä laitteen liittämiseksi selaimen. Jos selain ei tue WPS:ää, noudata manuaalista konfigurointimenettelyä

Noudata sovellusohjelman Whirlpool 6th Sense Live ohjeita, jotka ilmestyvät tablettiin tai älypuheliimeen laitteen liittämiseksi omaan WiFi-verkkoon.

Tai suorita yksi automaattisista tai manuaalisista yhteyden muodostusmenettelyistä, jotka on kuvattu seuraavissa kappaleissa.

1.2.1 OHJEET AUTOMAATTISTA KONFIGUROINTIA VARTEN (ENSIMMÄINEN KÄYTTÖ) – WPS-MENETELMÄ

Tätä menettelyä voidaan käyttää vain jos selain tukee WPS 2.0 (tai seuraavia versioita)

1. Aktivoi laitteessa tunnistusmenettely, painamalla kolmen sekunnin ajan yhteysnäppäintä (vahvistusta koskeva äänimerkki kuuluu). Laite asetetaan paikallisen verkon "hakutilaan". Laitteessa oleva yhteyttä osoittava kuvake alkaa vilkkua nopeasti.
2. Paina langattomassa selaimessa olevaa näppäintä WPS saadaksesi yhteyden kahden tuotteen välille. Selaimessa oleva merkkivalo alkaa vilkkua.
3. Kun laite muodostaa yhteyden paikalliseen selaimen, WiFi-kuvake alkaa vilkkua hitaammin (tätä ominaisuutta ei tueta kaikissa laitteissa).
4. Laite yrittää muodostaa yhteyden backend-järjestelmän kanssa. Yhteyttä osoittava kuvake jää palamaan kiinteään. Jos WiFi-kuvake ei lakkaa vilkkumasta muutaman minuutin kuluttua, se merkitsee, että se ei kyennyt muodostamaan yhteyttä kotiverkon kanssa WPS:ää käyttämällä. Yritä toistaa menettely ja, jos se ei onnistu, käytä manuaalista konfigurointimenettelyä.
5. Yhteyden luontimenettely WiFi-verkkoon voidaan keskeyttää painamalla yhteysnäppäintä.

1.3 WI-FI-YHTEYDEN DEAKTIVOINTI/AKTIVOINTI

Laitteen yhteyden deaktivoimiseksi WiFi-verkkoon, paina viiden sekunnin ajan yhteysnäppäintä (vahvistusta koskeva äänimerkki kuuluu). Laitteen näytöllä olevan WiFi-kuvakkeen tulee sammua.

Laitteen WiFi-yhteyden aktivoimiseksi uudelleen, paina tuotteessa olevaa WiFi-näppäintä.

Kun yhteys on konfiguroitu, se voidaan deaktivoida ja ottaa laite pois WiFi-verkosta painamalla yhteysnäppäintä kymmenen sekunnin ajan (kaksi vahvistavaa äänimerkkiä kuuluu, ensimmäinen viiden sekunnin ja toinen kymmenen sekunnin kuluttua).

Laitteen näytöllä olevan WiFi-kuvakkeen tulee sammua.

Laitteen yhdistämiseksi uudelleen langattomaan kotiverkkoon, noudata kohdassa "Valmistelu konfigurointia varten" kuvattua menettelyä.

1.4 OHJEET MANUAALISTA KONFIGUROINTIA VARTEN (ENSIMMÄINEN KÄYTTÖ) - MENETELMÄ MICRO ACCESS POINT

Tämä menettely käyttää teknologiaa Micro Access Point ja sitä voidaan käyttää selaimien kanssa, jotka eivät tue WPS:ää.

1. Ennen konfigurointimenettelyn alkamista, merkitse muistiin langattoman kotiverkon nimi (SSID) ja salasana sekä laitteen SAID-koodi. Nämä tiedot ovat tarpeen asennusmenettelyn aikana.
2. Käynnistä selain, tarkista että Internet-yhteys on päällä ja yhdistä oma älypuhelin/tabletti sen langattomaan verkkoon.
3. Aktivoi laitteessa tunnistusmenettely painamalla viiden sekunnin ajan yhteysnäppäintä (kaksi vahvistavaa äänimerkkiä kuuluu, ensimmäinen kolmen sekunnin kuluttua, toinen viiden sekunnin kuluttua) • WiFi-verkon kuvakkeen tulee alkaa vilkkua laitteen käyttöliittymässä.
4. Skannaa QR-koodi, joka on annettu laitteeseen kiinnitetyssä tarrassa; tässä vaiheessa sovellusohjelma Whirlpool 6th Sense Live antaa yksinkertaiset ohjeet menettelyn suorittamiseksi. Huomio: Joissakin tapauksissa on mahdollista, että sovellusohjelma pyytää laitetyypin määrittämistä: tässä tapauksessa valitse liesituuletin.
5. Kun yhteys on muodostettu, laitteessa olevan WiFi-kuvakkeen tulee lakata vilkkumasta ja sen on jäätävä palamaan kiinteään. Muutoin, kytke se ensiksi irti ja sitten takaisin sähköverkkoon ja toista menettely.
6. Konfigurointimenettely on päättynyt.

1.5 ETÄOHJAUS / PÄIVITTÄINEN KÄYTTÖ

Tämä toiminto on käytössä vain joissakin laitetyypeissä.

1. Varmista, että selain on päällä ja yhdistetty Internet-verkkoon.
2. Varmista, että WiFi-yhteyden tilaa osoittava merkkivalo tuotteen näytöllä palaa kiinteään.
3. Sovellusohjelman Whirlpool 6th Sense Live avulla laitetta voidaan ohjata etäkäytöstä. Se tarjoaa erityisesti mahdollisuuden:
 - valvoa laitetta ja aktivoida eri valintoja myös kun ollaan poissa kotoa.
 - päästä ylimääräisiin toimintoihin, kuten esimerkiksi toimintatapa Smart Energy
 - optimoida energiankulutusta hyödyntämällä esimerkiksi halvimpia aikajaksoja.
 - päästä laitteen käyttöön liittyviin lisätietoihin.

- laitteen tilan ja mahdollisen huoltotarpeen (esim. suodattimien vaihto).
- Synkroni liesituuletin yhteensopivan pyrolyyttisen liedan ja uunin kanssa, jolloin laite aktivoituu täysin automaattisesti.

1.6 LAITTEEN YHTEYSTILAN PIKATARKASTUS

Jos WiFi-yhteyden tilaa koskeva merkivalo vilkkuu nopeasti laitteen näytöllä, se merkitsee, että laite yrittää muodostaa yhteyttä selaimen. Jos se taas vilkkuu hitaasti se merkitsee, että laite on yhdistetty selaimen mutta ei kykene muodostamaan yhteyttä Internet-verkkoon (koska ADSL-verkko ei esimerkiksi toimi); jotkut laiteyyt eivät tue vilkkumista erinopeuksilla.

Jos merkivalo palaa kiinteänä se merkitsee, että laite on yhdistetty Internet-verkkoon ja Whirlpool-pilvijärjestelmään.

1.7 USEIN KYSYTTYJÄ KYSYMYKSIÄ WIFI-YHTEYDESTÄ

Mitä WiFi-protokollia tuetaan?

Asennettu WiFi-sovitin tukee Wi-Fi b/g/n yhteyksiä Euroopan maissa.

Mitkä asetukset on konfiguroitava selaimen ohjelmistossa?

Selaimille vaaditaan seuraavia asetuksia: 2.4 GHz kytketty päälle, WiFi b/g/n, DHCP ja NAT aktivoidut.

Mitä WPS-versiota tuetaan?

WPS 2.0 tai seuraavat versiot. Tutustu selaimen dokumentaatioon.

Esiintyykö eroavaisuuksia Android ja iOS älypuhelimien (tai tablettien) välillä?

Eroavaisuuksia ei esiinny. Voit käyttää kumpaa tahansa käyttöjärjestelmää.

Onko mahdollista käyttää G-yhteyden jakotoimintoa matkapuhelimesta selaimen sijaan?

Kyllä, mutta pilvipohjaiset toiminnot on tarkoitettu jatkuvan yhteyden omaaville laitteille.

Miten voit tarkistaa, että kotiverkkoyhteys on toiminnassa ja langaton toiminnallisuus on päällä?

On mahdollista etsiä oma älypuhelin verkosta. Ennen kuin sitä kokeillaan, kytke pois päältä kaikki muut datayhteydet.

Miten voin tarkistaa, että laite on yhdistetty omaan langattomaan kotiverkkoon?

Mene selaimen konfigurointiin (katso selaimen ohjekirja) ja tarkista, että laitteen MAC-osoite on yhdistettyjen langattomien laitteiden luettelossa.

Mistä löydän laitteen MAC-osoitteen?

Suoraan laitteesta:

etsi tarra, joka sisältää SAID- ja MAC-osoitteet.

MAC-osoite muodostuu numeroiden ja kirjainten yhdistelmästä, joka alkaa "88:e7".

Miten voi tarkistaa onko laitteen langaton toiminnallisuus päällä?

Käyttämällä älypuhelin tai tablettia, tarkista sovellusohjelmassa Whirlpool 6th Sense Live, että laitteen verkko näkyy ja että se on yhdistetty pilveen.

Mikä voi estää signaalia saavuttamasta laitetta?

Tarkista, että liitetyt laitteet eivät käytä saatavana olevaan väylää kokonaan.

Tarkista, että laitteiden määrä WiFi-yhteyttä varten ei ylitä selaimen tukemaa maksimirajaa.

Mikä tulee olla selaimen ja laitteen välinen etäisyys?

WiFi-signaalin teho on yleensä riittävä muutaman huoneen kattamiseksi, mutta todellinen kantavuus riippuu suuressa määrin seinämateriaaleista. Voit tarkistaa signaalin tehon viemällä älypuhelimien tai tabletin laitteen lähelle.

Mitä voin tehdä jos langaton yhteys ei saavuta laitetta?

Voit käyttää erityisiä laitteita langattoman kotiverkon signaalin vahvistamiseksi, esimerkiksi access point, WiFi-toistin ja Power-line -silta (eivät kuulu laitteen varustukseen).

Mistä löydän langattoman verkon nimen ja salasanan?

Tutustu selaimen dokumentaatioon. Selaimen on yleensä kiinnitetty tarra, joka sisältää tarvittavat tiedot konfigurointisivulle menoa varten käyttämällä yhdistettyä laitetta.

Mitä voi tehdä jos selain käyttää naapureiden WiFi-kanavaa?

Pakota selainta käyttämään kotisi WiFi-kanavaa.

Mitä voin tehdä jos yhteyden tilaa osoittava merkivalo jatkaa vilkkumista hitaasti eikä jää palamaan kiinteällä tavalla tai jos pysyvää yhteyttä ei kyetä muodostamaan kotiselaimen kanssa?

On mahdollista, että laite yhdistää selaimen, mutta ei kykene yhdistämään Internet-verkkoon. Laitteen yhdistämiseksi Internet-verkkoon, tarkista selaimen ja/tai linjan asetukset.

Selaimen asetukset: NAT:n on oltava päällä, palomuuuri ja DHCP tulee konfiguroida oikein. Tuetut salaustavat salasanoille:

WEP, WPA, WPA2. Jos haluat käyttää erilaista salaustapaa, tutustu selaimen oppaaseen.

Linjan asetukset: jos Internet-palvelun toimittaja on määrittänyt MAC-osoitteiden lukumäärän, joita voidaan käyttää Internet-verkkoon yhdistämisessä, laitetta ei välttämättä kyetä yhdistämään pilveen.

MAC-osoite on yksilöllinen tunnistus ja se on erilainen jokaiselle laitteelle. Pyydä palveluntarjoajalta noudatettavaa menettelyä muiden kuin tietokoneiden yhdistämiseksi Internet-verkkoon.

Miten voit tarkistaa jos tietoja lähetetään?

Kun verkko on konfiguroitu, sammuta laite, odota 20 sekuntia ja käynnistä se uudelleen: tarkista, että sovellusohjelma näyttää laitteen käyttöliittymän tilaa.

Jotkut asetukset vaativat muutamia sekunteja ilmestyäkseen sovellusohjelmaan.

Voidaanko tiliä Whirlpool 6th muuttaa pitämällä laitteita yhdistettyinä?

Voit luoda uuden tilin, mutta sinun on muistettava poistaa niissä oleva yhteys vanhoihin laitteisiin ennen kuin ne yhdistetään uuteen.

Mitä on tehtävä jos selain halutaan vaihtaa?

Voit säilyttää samat konfigurointiparametrit (nimi ja verkon salasana) tai poistaa edelliset asetukset laitteesta ja suorittaa konfigurointimenettely uudelleen.

HUOLTO

- **Puhdistus:** Puhdistusta varten käytä yksinomaan neutraaleihin pesuaineisiin kostutettua liinaa. Älä käytä työkaluja tai välineitä puhdistukseen.

- **XA Rasvasuodatin:** Se on puhdistettava kerran kuukaudessa (tai kun suodattimen saturaatoin ilmaisinjärjestelmä - jos se on käytössä olevassa mallissa - osoittaa tämän tarpeen) ei-aggressiivisilla pesuaineilla käsin tai astianpesukoneessa matalissa lämpötiloissa ja lyhyellä pesujaksolla.

Kun pesu suoritetaan astianpesukoneessa, metallisen rasvasuodattimen väri voi haalistua, mutta se suodatusominaisuudet eivät muutu millään tavoin.

- Rasvasuodatin ottaa talteen ruoanvalmistuksessa syntyvät rasvahiukkaset. Kun pesu suoritetaan astianpesukoneessa, metallisen rasvasuodattimen väri voi haalistua, mutta se suodatusominaisuudet eivät muutu millään tavoin.

- **XB Hiilisuodatin (vain suodattava versio):**
Patruuna tulee vaihtaa viimeistään neljän kuukauden välein. Sitä EI voi pestä tai rigeneroida. Toimi piirrosten osiossa näytetyllä tavalla: poista rasvasuodattimet, laita yksi hiilisuodatin kullekin puolelle ja kiinnitä se tuotteeseen. Laita rasvasuodattimet takaisin.

Valaistus

- Valaistusjärjestelmä perustuu LED-tekniikkaan. LED-valot takaavat optimaalisen valaistuksen ja jopa 10 kertaa pidemmän keston perinteisiin lampuihin verrattuna, minkä lisäksi ne auttavat säästämään 90 % sähköä.

- **Valaistusjärjestelmä :** Käyttäjä ei voi vaihtaa valaistusjärjestelmää. Jos siihen tulee toimintahäiriöitä, ota yhteyttä valtuutettuun huoltoon.

HÄVITTÄMINEN KÄYTTÖIÄN PÄÄTTEEKSI



Tämä laite on merkitty Euroopan direktiivin 2012/19/EY mukaisesti - UK SI 2013 No.3113, Waste Electrical and Electronic Equipment (WEEE).

Varmista, että tämä tuote hävitetään oikeaoppisesti. Käyttäjä huolehtii siitä, että ympäristölle ja terveydelle ei koidu mahdollisia seurauksia. Symboli tuotteessa tai tuotteen mukana toimitetuissa asiakirjoissa osoittaa, että tätä tuotetta ei tule käsitellä tavallisena kotitalousjätteenä vaan se tulee toimittaa sopivaan keräyspisteeseen, jossa sähkö- ja elektroniikkalaitteet kierrätetään. Hävitä laite noudattamalla paikkakuntasi jätehuoltoa koskevia säädöksiä. Jos tahdot lisätietoja laitteen keräyksestä, käsittelystä ja kierrätyksestä, ota yhteys paikkakuntasi jätehuoltoon, talousjätteiden keräyspisteeseen tai liikkeeseen, josta laite on hankittu.



Pakkausmateriaali on 100-prosenttisesti kierrätettävä, ja siinä on kierrätysymboli

MÄÄRÄYKSET

Laite on suunniteltu, testattu ja valmistettu seuraavien turvallisuusmääräysten mukaisesti: EN/IEC 60335-1; EN/IEC 60335-2-31, EN/IEC 62233. Suorituskyky: EN/IEC 61591; ISO 5167-1; ISO 5167-3; ISO 5168; EN/IEC 60704-1; EN/IEC 60704-2-13; EN/IEC 60704-3; ISO 3741; EN 50564; IEC 62301. EMC: EN 55014-1; CISPR 14-1; EN 55014-2; CISPR 14-2; EN/IEC 61000-3-2; EN/IEC 61000-3-3.

TOIMINTAHÄIRIÖT

Jos jokin asia ei tunnu toimivan, tee seuraavat yksinkertaiset tarkistukset, ennen kuin soitat huoltoon:

- Jos liesituuletin ei toimi:

Tarkista, että:

-Virtakatkosta ei esiinny

-Nopeus on valittu

- Jos liesituulettimen suorituskyky on heikko:

Tarkista, että:

-Valittu moottorin nopeus on riittävä tuotetun savun ja höyryjen määrään nähden.

-Keittiö on riittävästi tuuletettu, jotta ilmaa voidaan ottaa sisään.

-Hiilisuodatin ei ole kulunut (liesituuletin suodattavassa versiossa).

- Jos liesituuletin sammuu normaalin toiminnan aikana:

Tarkista, että:

-virtakatkosta ei esiinny.

-moninapainen katkaisulaite ei ole lauennut.

Jos laitteessa ilmenee toimintahäiriöitä, irrota laite virtalähteestä vähintään 5 sekunniksi vetämällä pistoke irti ja kytke se sitten uudelleen ennen kuin käännät huoltopalvelun puoleen. Jos toimintahäiriö jatkuu, ota yhteys huoltopalveluun.

TEKNISET TIEDOT

Korkeus (cm)	Leveys (cm)	Syvyys (cm)	Poistoputken Ø (cm)
110-129,5	89,8	32	15

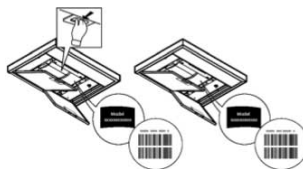


Osat, joita ei toimiteta tuotteen mukana



Turvallisuustietojen, käyttöoppaan, teknisten tietojen ja energiatietojen lataus:

- Käy sivulla docs.whirlpool.eu
- Käytä QR-koodia
- Voit myös **ottaa yhteyttä tukipalveluun** (puhelinnumero on annettu takuulehtisessä). Kun otat yhteyttä tukipalveluun, anna tuotteen sarjanumerokilvessä olevat koodit.



GENERELL SIKKERHET

•Ikke foreta endringer av elektrisk eller mekanisk art på produktet eller avtrekkskanalene. •Før man utfører rengjøring eller vedlikehold må man koble produktet fra strømmettet ved å dra ut støpslet eller eventuelt koble fra hovedbryteren. •For alle installasjoner og vedlikeholdsinngrep må man anvende arbeidshansker. •Apparatet kan anvendes av barn over 8 års alder og av personer med nedsatt fysisk, sanselig eller mental funksjonsevne, samt personer uten erfaring eller med manglende kunnskap, gitt at disse holdes under oppsyn eller har vært gjenstand for opplæring i sikker bruk av apparatet, og innehar forståelse for de farer og risikoer som er forbundet med bruken av dette. •Barn må kontrolleres slik at de ikke leker med produktet. •Rengjøring og vedlikehold må ikke utføres av barn hvis disse ikke holdes under oppsyn. •Lokalet må være utstyrt med en tilstrekkelig ventilasjon når produktet brukes samtidig med andre apparater som forbrenner gass eller andre typer brennstoffer. •Produktet må rengjøres regelmessig både innvendig og utvendig (MINST EN GANG I MÅNEDEN) og alltid i samsvar med det som er blitt uttrykkelig oppgitt i vedlikeholdsinstruksjonene. •Manglende etterfølgelse av standardene for rengjøring av produktet og skifte/rengjøring av filter medfører risiko for antenner. •Det er strengt forbudt å tilberede mat med åpne flammer under produktet. •OBS: •Når platetoppen er i bruk kan delene på produktet som er tilgjengelige for brukeren bli varme. •Ikke koble produktet til strømmettet før installasjonen er helt fullført. •Hva angår tekniske og sikkerhetsmessige forholdsregler som må tas i forbindelse med avtrekk av røyk og matos, henvises det til lovgivning og regelverk fra lokale myndigheter. •Luft som trekkes ut må ikke føres i rør som brukes til å tømme røyk fra gassdrevne eller brennstoffbaserte apparater. •Ikke bruk eller etterlat produktet uten tilsyn hvis lampene ikke er korrekt montert. Dette kan medføre risiko for elektriske støt. •Produktet må ALDRI brukes uten risten korrekt montert. •Produktet må ALDRI brukes som hvile- eller kontaktflate hvis dette ikke er uttrykkelig oppgitt.

Bruk kun de medfølgende skruene i forbindelse med installasjon, eller gå til innkjøp av korrekt skruer. Bruk skruer med korrekt lengde i henhold til informasjonen i installasjonsveiledningen.

• **OBS!** Manglende installasjon av skruer og festeanordninger i samsvar med disse instruksjonene kan føre til elektriske farer.

• For utskifting av lyspærer bes man utelukkende bruke den type lyspære som er gjengitt i delen som tar for seg vedlikehold / lysanlegg i denne håndboken. • Åpne flammer er skadelige for filterne og kan medføre antenner. Dette må derfor alltid unngås. • Frityrsteking må gjøres med største forsiktighet, slik at ikke den varme oljen antennes. • Hvis det oppstår tvil bes man kontakte autorisert service eller tilsvarende kvalifisert personell.

Vær oppmerksom! Ikke bruk med programmeringsenhet, timer, separat

fjernkontroll eller enhver annen type enhet som aktiveres automatisk.

- Minstehøyde mellom overflaten på platetoppen og ned nederste delen av kjøkkenviften må ikke være mindre enn 50 cm på elektriske versjoner og 65 cm på gass- eller blandingsversjoner.

Hvis installasjonsanvisningene til gassdrevne versjoner oppgir en større avstand må man forholde seg til dette.

Barn under 3 års alder må holdes på avstand fra apparatet. Barn under 8 års alder må holdes på avstand fra apparatet dersom de ikke holdes under konstant oppsyn av en voksen.

⚠ OBS! Apparatet er ikke utviklet for å styres av eksterne enheter eller separate fjernstyrte systemer.

⚠ Dette apparatet er ikke utviklet for profesjonell bruk. Ikke bruk apparatet under åpen himmel.

⚠ For å motvirke risikoen for personskader må apparatet flyttes og installeres av to eller flere personer.

⚠ Installasjonen innbefatter også eventuelle opplegg for vannforsyning og elektriske forbindelser, og reparasjonsinngrep må derfor utføres av kvalifisert personell.

Når installasjonen er fullført må alt emballasjemateriell (plast, styrenplast osv.) holdes på avstand fra barn. Dette for å unngå kvelningsrisiko.

Apparatet må ikke brukes av våte personer eller personer med våte føtter.

Ikke bruk apparatet til dampvask - risiko for elektriske støt.

Emballasjemateriell er 100% resirkulerbart og merket med gjenvinningsymbol 

Apparatet kan inneha estetiske egenskaper som avviker fra illustrasjonene i denne håndboken, men instruksjonene angående bruk, vedlikehold og installasjon vil fortsatt forbli de samme.

Følg alle instruksjonene som er oppført i denne håndboken nøye.

Produsenten fraskriver seg ethvert ansvar for eventuelle problemer, skader eller antenner som oppstår grunnet en manglende overholdelse av instruksjonene i denne håndboken. Apparatet er tiltenkt brukt i husholdninger, og brukes til tilberedelse av matvarer og avtrekk av matos og røyk/damp fra matlaging. All annen bruk er forbudt (f.eks. oppvarming av rom). Produsenten fraskriver seg ethvert ansvar for en uegnet bruk eller for feilaktige innstillinger av kontrollene.

- Les instruksjonene nøye. De inneholder viktig informasjon angående installasjon, bruk og sikkerhet.

- Ikke foreta elektriske endringer på apparatet.

- Før apparatet installeres må man kontrollere at ingen av dets komponenter er blitt skadet. Hvis dette ikke er tilfelle, stopp installasjonen og ta kontakt med selger.

- Det er viktig å ta vare på alle håndbøkene som medfølger produktet, slik at disse kan konsulteres til enhver tid. Sørg for at de følger med produktet hvis det selges eller overføres.

ELEKTRISK TILKOBLING

Nettspenningen må samsvarer med spenningsverdien som er gjengitt på

merkeskiltet på innsiden av hetten. Hvis den er utstyrt med støpsel må hetten kobles til en kontakt som samsvarer med gjeldende lovgivning, og som plassert på et sted som er tilgjengelig også etter installasjonen. • Hvis produktet ikke er utstyrt med strømplugg (direkte tilkobling til strømmett) eller pluggen ikke befinner seg på et lett tilgjengelig sted, også etter installasjon, må det settes på en topolet bryter som sikrer fullstendig utkobling tilsvarende overspenningskategori III, i samsvar med installasjonsreglene.

• **OBS!** Før kretsen kobles til nettstrømmen igjen, må man kontrollere at den fungerer riktig og at strømledningen er riktig montert.
- Ikke bruk skjøteledninger, grenuttak eller adaptere.

Spenning og nettfrekvens

Vær oppmerksom på verdien på merkeetiketten innenfor avtrekshetten.

Tilkobling av ledninger

⚡: gul/grønn

N: blå

L: brun

Skifte av strømledning

Hetten er utstyrt med en spesiell strømkabel. Hvis denne blir skadet må man kontakte kundeservice for å bestille ny.

LUFTAVTREKK

(for avtrekksversjoner)

Koble hetten til rør og avtrekkskull med diameter tilsvarende luftgangen (koblingsflensen).

Bruk av rør og avtrekkskull med mindre diameter vil føre til en reduksjon av avtrekkskapasiteten og en betraktelig økning av støynivået.

Vi fraskriver oss derfor alt ansvar

! Bruk en rørkanal som er så kort som mulig.

! Bruk en rørkanal med så få bøyer som mulig (maksimal kurve: 90°).

! Man må ikke ha variasjoner i tverrsnittet.

! Vi fraskriver oss ethvert ansvar hvis disse forskriftene ikke følges.

FILTER ELLER AVTREKK?

! Denne hetten er klar for bruk som avtrekksversjon.

For å bruke hetten som avtrekksversjon må man montere det spesifikke EKSTRASETET.

Kontroller på de første sidene i denne håndboken om EKSTRASETET medfølger, eller om det må kjøpes separat.

Merknad: Hvis det medfølger, kan det hende at filtersystemet med aktivt karbon allerede er installert i hetten.

Informasjon om hvordan hetten kan forandres fra avtrekksversjon til filterversjon finnes allerede i denne håndboken.

Avtrekksversjon

Damp og matos trekkes ut via et avtrekksrør som er festet til koblingsflensen.

⚠ OBS!

Avgassrøret medfølger ikke, men må kjøpes separat.

Diameteren på avtrekksrøret må tilsvare diameteren på koblingsringen.

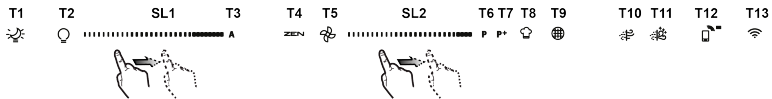
Hvis hetten er utstyrt med karbonfilter(e) må dette/disse fjernes.

Filterversjon

Luften som trekkes ut vil avfettes og fjernes for lukt før den sendes tilbake i rommet. For å bruke hetten i denne versjonen må det installeres et ekstra filtreringssystem med aktivt karbon.

KOMMANDOER

Viften er utstyrt med et kontrollpanel med viftehastighetsvalg og en lysbryter for å kontrollere kokeområdets lys.



- T1. AV/PÅ "Night Light"
- T2. AV/PÅ platetopplys – Fargetemperaturvalg
- T3. Funksjon "Autolight"
- T4. Funksjon "ZEN mode"
- T5. AV/PÅ Motor
- T6. Funksjon "POWER BOOST 1"
- T7. Funksjon "POWER BOOST 2"
- T8. Automatisk funksjon "COOKSENSE"
- T9. Filtermetningsvarsel
- T10. AV/PÅ funksjonsmodus "Breath Daily Cycle"
- T11. AV/PÅ funksjonsmodus "Breath intensiv Cycle"
- T12. Varsellampe Wi-Fi aktivert
- T13. Wi-Fi forbindelse

T1. AV/PÅ "NIGHT LIGHT"

Trykk for å slå av/på nattlampe.

T2. AV/PÅ platetopplys / fargetemperaturvalg

Trykk for å slå av/på belysningen til platetoppen

- Med lysene på, dra fingrene over lampelisten **SL1** mot høyre eller venstre for å øke eller redusere lysintensiteten.

Trykk nok engang (lengde) for å stille inn fargetemperature til belysningen.

- Dra fingrene over lampelisten **SL1** mot høyre eller venstre for å stille inn en kaldere eller varmere farge. Hvis det ikke er fargeendringer i løpet av 5 sekunder, vil **SL1** blinke på den innstilte fargen og et lydsignal vil varsle om at systemet har lagret den innstilte konfigurasjonen.

Merknad: Lyset tennes ved den sist innstilte fargen før den slukkes.

T3. FUNKSJON "AUTOLIGHT"

Trykk for å aktivere/deaktivere den automatiske lysfunksjonen "Autolight".

Merknad: Funksjonen aktiveres kun når hetten er tilkoblet platetoppen via Wi-Fi. Når funksjonen er blitt aktivert vil platetopplyset styres automatisk avhengig av statusen til den tilkoblede platetoppen.

T4. FUNKSJON "ZEN MODE"

Trykk for å aktivere/deaktivere "ZEN"-avtrekksmodus.

Denne funksjonen gjør det mulig å aktivere den avtrekkshastigheten som er det optimale kompromisset mellom lydløshet og avtrekkseffektivitet.

T5. AV/PÅ MOTOR

Trykk en til gang for å slå av/på avtrekksmotoren.

- Med motor på, dra fingrene over lampelisten **SL2** mot høyre eller venstre for å øke eller redusere hastigheten (effekten) i avtrekket.

T6. FUNKSJON "POWER BOOST 1"

Med avtrekksmotor på, trykk på T6 for å aktivere intensiv avtrekkshastighet (effekt) "POWER BOOST 1" (tidsbegrenset).

Merknad: Etter 5 minutter vil hetten fortsette i den foregående hastigheten

T7. FUNKSJON "POWER BOOST 2"

Med avtrekksmotor på, trykk på T7 for å aktivere intensiv avtrekkshastighet (effekt) "POWER BOOST 2" (tidsbegrenset).

Merknad: Etter 5 minutter vil hetten fortsette i den foregående hastigheten.

T8. AUTOMATISK FUNKSJON "COOKSENSE"

Hetten stiller inn avtrekkshastighet (effekt) 1 automatisk, for deretter å øke den hvis forholdene som registreres av sensoren i hetten tillater det.

Hvis det ikke er noen endringer i omgivelsesforholdene, vil hetten slå seg av etter 5 minutters avtrekk (hvis hetten allerede er i hastighet [effekt] 1).

Merknad: For en korrekt bruk av denne funksjonen må man først foreta "Regulering av automatiske funksjonsparametre" (se aktuelt avsnitt).

Merk: Under automatisk funksjon, hvis brukeren gjør endringer på andre funksjoner som regulerer hastigheten, vil automatisk viftfunksjon deaktiveres.

T9. FILTERMETNINGSVARSEL

Ved faste intervaller vil ventilatoren varsle om at filterne må vedlikeholdes.

Merknad: Varsellamper aktiveres med hette påslått.

Tast **T9** tent: det må foretas vedlikehold av fettfilter.

Tast **T9** blinker: det må foretas vedlikehold av aktivt karbonfilter.

Aktivering av indikator for filtermetning:

Merknad: Denne operasjonen må utføres med ventilatoren påslått.

Hold inne tasten **T9**. Lampen slukkes for å bekrefte at tilbakestilling er blitt utført.

Aktivering av varsel for mettet aktivt karbonfilter.

Merknad: Denne operasjonen må utføres med avtrekksmotoren avslått.

Denne varsellampen er vanligvis deaktivert. Den må aktiveres hvis hetten brukes i filterversjon med aktivt karbonfilter montert.

Trykk på tastene **T1** og **T10** samtidig for å aktivere-funksjonen. Tastene tennes for å bekrefte aktivering.

For å deaktivere funksjonen trykker man igjen på de samme tastene (**T1** og **T10**). Tastene blinker kort og slukkes deretter for å bekrefte deaktivering.

T10. AV/PÅ FUNKSJONSMODUS "BREATH DAILY CYCLE"

Hetten stiller inn avtrekkshastighet (effekt) **1** automatisk, for deretter å øke den hvis forholdene som registreres av sensoren i hetten tillater det.

Hvis det ikke gjøres endringer i avtrekkshastigheten, vil hetten slå seg av etter 2 timer avhengig av registrerte omgivelsesforhold.

Hetten vil uansett være gjenstand for tvungen deaktivering etter 5 timer.

Merknad: For en korrekt bruk av denne funksjonen må man først foreta "Regulering av automatiske funksjonsparametre" (se aktuelt avsnitt).

T11. AV/PÅ FUNKSJONSMODUS "BREATH INTENSIV CYCLE"

Hetten stiller inn avtrekkshastighet (effekt) **5** automatisk, for deretter å øke den hvis forholdene som registreres av sensoren i hetten tillater det.

Hvis det ikke gjøres endringer i avtrekkshastigheten, vil hetten slå seg av etter 2 timer avhengig av registrerte omgivelsesforhold.

Hetten vil uansett være gjenstand for tvungen deaktivering etter 5 timer.

Merknad: For en korrekt bruk av denne funksjonen må man først foreta "Regulering av automatiske funksjonsparametre" (se aktuelt avsnitt).

T12. VARSELLAMPE WI-FI FUNKSJON AKTIVERT

Varsellampen tennes når hetten styres av fjernkontroll via app.

T13. WI-FI FORBINDELSE

Trykk for å aktivere/deaktivere WiFi-funksjonen.

Denne funksjonen gjør det mulig å koble produktet til internett og fjernovervåke/kontrollere hetten via en smarttelefon eller et nettnett.

For å bruke Wi-Fi-funksjonen, er det nødvendig å koble apparatet til det trådløse hjemmenettverket (internett) ved å følge konfigurasjonsprosedyren som er beskrevet i instruksjonene "WI-FI HÅNDBOK".

REGULERING AV AUTOMATISKE FUNKSJONSPARAMETRE

For en korrekt bruk av automatisk funksjon må man foreta "Kalibrering av hette" og "Valg av platetopp".

Kalibrering av hette

Merknad: Denne operasjonen må utføres i standby, altså etter 1 minutt fra motoren ble slått av. Trykk på tasten **T4** i 5 sekunder.

Avtrekkshastighet (effekt) **1** starter opp og tasten **T4** blinker for å vise at kalibreringen har startet og vil vare i cirka 5 minutter.

Merknad: For å avbryte kalibreringen trykker man på **T4** i 5 sekunder. Kalibreringen vil være ugyldig og må derfor gjentas.

Merknad: Første gang produktet strømmettes vil kalibreringen foretas automatisk: **T4** blinker. Vent deretter 5 minutter til

kalibreringen fullføres.

Velge platetopp

Merknad: Denne operasjonen må utføres i standby, altså etter 1 minutt fra motoren ble slått av. Trykk på tasten **T10+T11** i 5 sekunder.

Tastene **T10** og **T11** tennes.

Trykk på tasten **T10** hvis det brukes gassdrevne platetopp. Tasten blinker for å vise at valget er foretatt.

Trykk på tasten **T11** hvis det brukes elektrisk platetopp. Tasten blinker for å vise at valget er foretatt.

Tasten blinker i 3 sekunder for å vise at valget er blitt lagret.

ANVISNINGER ANGÅENDE WIFI-FORBINDELSEN

FJERNSTYRING/PROSEDYRE FOR KONFIGURASJON AV APPEN “Whirlpool 6th Sense Live”

Med appen **Whirlpool 6th Sense Live** er det mulig å fjernstyre og kontrollere apparatet med en eksternt enhet. For å aktivere fjernstyringsfunksjonen må man utføre konfigurasjonsprosedyren for forbindelsen. Denne prosedyren må følges for å registrere apparatet og koble det til hjemmenettverket. Konfigurasjonsprosedyren må bare utføres en gang. Den må bare gjentas hvis egenskapene til ruterer er blitt endret (nettverksnavn, passord eller leverandør).

1.1 FØR MAN STARTER KONFIGURASJONSPROSEDYREN

1. For å utføre prosedyren må man være i besittelse av følgende: En smarttelefon eller nettbrett med Android 7.0-operativsystem (eller nyere), eller en Ipad eller iPhone med IOS 11-operativsystem (eller nyere); • en 2,4 GHz b, g eller n WiFi-ruter koblet til Internett (bruk smarttelefonen eller nettbrettet til å kontrollere at signalstyrken til det trådløse hjemmenettverket er bra i apparatområdet).
2. Last ned og installer gratisappen Whirlpool 6th Sense Live på egen smarttelefon eller android-nettbrett, eller på iPad/iPhone fra vår online store. Appen gir alle nødvendige instruksjoner for installasjonsprosedyren. Hvis man ikke har en konto må man opprette og registrere seg for tjenesten (underskrive de rettslige betingelsene) for å kunne bruke funksjonen i appen.
3. Registrer apparatet ved å følge instruksjonene i appen. I forbindelse med registreringsprosedyren har man behov for SAID-koden (Smart Appliance Identifier) på klistremerket som er påsatt apparatet. SAID-koden er en kombinasjon av nummer og bokstaver (10 tegn). Noter ned SAID-koden til apparatet her:

SAID

1.2 FØR MAN STARTER KONFIGURASJONSPROSEDYREN

- Før installasjonen må man slå på ruterer og kontrollere at trådløssignalet når fram til apparatet. For å kontrollere styrken WiFi-signalet bruker man et nettbrett eller en smarttelefon som kun er koblet til WiFi-ruterer, deaktiverer alle andre tilkoblinger, og bringer enheten nærme apparatet. Åpne en hvilken som helst internettside i nettleseren, og sjekk at den lastes ned raskt og riktig. Hvis internettilkoblingen fungerer som den skal, men internettsiden ikke lastet inn, kan det hende at det må installeres en enhet som styrker WiFi-signalet (følger ikke med apparatet).
- Hvis ruterer støtter WPS 2.0 (eller nyere) kan man bare følge den automatiske konfigurasjonsprosedyren for å koble maskinen til ruterer. Hvis ruterer ikke støtter WPS må man følge den manuelle konfigurasjonsprosedyren.

Følg anvisningene i appen Whirlpool 6th Sense Live som vises på nettbrettet eller på smarttelefonen for å koble apparatet til WiFi-nettet.

Eller følg en av de automatiske eller manuelle tilkoblingsprosedyrene som er blitt beskrevet i de forrige paragrafene.

1.2.1 INSTRUKSJONER FOR AUTOMATISK KONFIGURASJON (FØRSTE GANGS BRUK) – WPS-metode

Denne prosedyren kan kun brukes hvis ruterer støtter WPS 2.0 (eller nyere versjoner).

1. Aktiver tilknytningsfunksjonen på enheten ved å holde inne tilkoblingsknappen i tre sekunder (det kan høres et lydsignal som bekrefter handlingen). Enheten går i "søkemodus" etter et lokalt nettverk. Tilkoblingsikonet på apparatet begynner å blinke fort.
2. Trykk på WPS-knappen på ruterer for å opprette kontakt mellom de to produktene. En lampe på ruterer begynner å blinke.
3. Når apparatet kobler seg til en lokal ruter vil WiFi-ikonet begynne å blinke langsomt (denne funksjonen er ikke støttet av samtlige apparater).
4. Enheten forsøker å koble seg til backend-systemet. Tilkoblingsikonet vil lyse uavbrutt. Hvis WiFi-ikonet ikke slutter å blinke når det har gått noen minutter, betyr det at enheten ikke har klart å opprette en forbindelse med hjemmenettverket via WPS. Prøv å gjenta prosedyren. Hvis den mislykkes nok ganger kan man følge den manuelle konfigurasjonsprosedyren.
5. Prosedyren for tilkobling til WiFi-nettet kan avbrytes ved å trykke på tilkoblingstasten.

1.3 DEAKTIVERING/AKTIVERING AV WIFI-FORBINDELSEN

For å deaktivere tilknytningen mellom apparatet og WiFi-nettverket, holder man inne tilkoblingsknappen i 5 sekunder (et lydsignal bekrefter handlingen). WiFi-ikonet på apparatets display skal slukke.

For å aktivere tilknytningen mellom WiFi-nettverket og enheten på nytt, trykker man på WiFi-knappen på selve produktet. Når forbindelsen er blitt konfigurert kan man deaktivere den og koble apparatet fra WiFi-nettverket ved å trykke på tilkoblingsknappen i 10 sekunder (to pipelyder bekrefter handlingen, det første etter 5 sekunder og det andre etter 10 sekunder).

WiFi-ikonet på apparatets display skal slukke.

Følg prosedyren som er beskrevet i avsnittet "Forberedelse til konfigurasjon" for å koble apparatet til det hjemlige WiFi-nettverket på nytt.

1.4 INSTRUKSJONER FOR MANUELL KONFIGURASJON (FØRSTE GANGS BRUK) – MICROSOFT ACCESS POINT METODE

Denne prosedyren bruker Micro Access Point teknologi og kan brukes for ruterer som ikke har WPS-teknologi.

1. Før man starter konfigurasjonsprosedyren, må man skrive ned navnet (SSID) og passordet til det trådløse hjemmenettverket, samt SAID-koden til apparatet. Disse dataene vil være nødvendige i forbindelse med installasjonsprosedyren.
2. Slå på ruterer, sjekk at Internett-tilkoblingen er aktiv, og koble smarttelefonen/nettbrettet til WiFi-nettverket.
3. På enheten aktiverer man tilknytningsfunksjonen ved å trykke på tilkoblingsknappen i 5 sekunder (to lydsignaler bekrefter handlingen, det første etter 3 sekunder, det andre etter 5 sekunder) • WiFi-nettverksikonet skal begynne å blinke på grensesnittet til apparatet.
4. Skann QR-koden som er klistret til apparatet. Appen Whirlpool 6th Sense Live vil nå gi detaljerte instruksjoner om hvordan man utfører den aktuelle prosedyren. Merknad: I noen tilfeller kan det hende at appen krever at det oppgis apparattypen. Hvis dette er nødvendig velger man Hette.
5. Når tilkoblingen er opprettet, skal WiFi-ikonet på apparatet slutte å blinke og deretter lyse uavbrutt. Hvis dette ikke skjer må man koble apparatet til og fra strømforsyningen før man gjentar prosedyren.
6. Konfigurasjonsprosedyren er avsluttet.

1.5 FJERNSTYRING / DAGLIG BRUK

Denne funksjonen finnes bare på noen typer apparater.

1. Se til at ruterer er påslått og tilkoblet internett.
2. Se til at statuslampen for WiFi-forbindelsen i produktdisplayet lyser uavbrutt.
3. Med appen **Whirlpool 6th Sense Live** kan man kontrollere apparatet i fjernstyrt modus. Mer spesifikt er det mulig å:
 - Kontrollere apparatet og aktivere forskjellige funksjoner også når man er borte fra hjemmet.
 - Få tilgang til tilleggsfunksjoner, for eksempel Smart Energy modus.
 - Optimalisere energiforbruket, for eksempel ved å dra nytte av de mest praktiske tidspunktene på døgnet.
 - Få tilgang til ytterligere informasjon om bruk av apparatet.

- Kontroller apparatets tilstand og eventuelle behov for vedlikehold (f.eks. filterbytte).
- Hetten må synkroniseres med kompatible platetopper og pyrolyseovner, slik at apparatet kan aktiveres helt automatisk.

1.6 HURTIG IDENTIFISERING AV APPARATETS FORBINDELSSTATUS

Hvis statuslampen for WiFi-tilkoblingen på maskinens display blinker raskt, betyr det at maskinen prøver å koble seg til ruterens. Hvis den derimot blinker langsomt, betyr det at enheten er koblet til ruterens, men ikke kan koble seg til internett (for eksempel fordi ADSL-nettverket ikke fungerer). Noen typer apparater støtter ikke varierende blinkehastigheter. Hvis lampen lyser uavbrutt betyr det at apparatet er koblet til internett og cloud-systemet til Whirlpool.

1.7 OFTE STILTE SPØRSMÅL OM WIFI-FORBINDELSEN

Hvilke WiFi-protokoller er støttet?

Den installerte WiFi-adapteren støtter WiFi b, g og n for europeiske land.

Hvilke innstillinger må programmeres i ruterens programvare.

For ruterens kreves følgende innstillinger. 2.4 GHz aktivert, WiFi b, g, n, DHCP og NAT aktivert.

Hvilken versjon av WPS er støttet?

WPS 2.0 eller nyere versjoner. Det henvises til dokumentasjonen som medfølger ruterens.

Er det noen forskjell mellom smarttelefon (eller nettbrett) med Android eller iOS?

Det er ingen forskjeller. Man kan bruke begge operativsystem.

Er det mulig å foreta tethering via mobiltelefonforbindelse i stedet for en ruter?

Ja, men cloud-tjenestene er tiltenkt brukt på enheter med permanent forbindelse.

Hvordan er det mulig å kontrollere at hjemmenettverket er operativt og at den trådløse forbindelsen er aktiv?

Man kan søke opp ens egen enhet i nettverket. Deaktiver alle andre dataforbindelser før man foretar søket.

Hvordan kan man kontrollere at apparatet er koblet til hjemmenettverket?

Gå til ruterkonfigurasjon (se håndboken til ruterens) og kontroller at MAC-adressen til apparatet finnes i listen med tilkoblede trådløse enheter.

Hvor finner man apparatets MAC-adresse?

Den er festet til selve apparatet.

Se etter etiketten med SAID- og MAC-adressene.

MAC-adressen består av en kombinasjon av nummer og bokstaver som begynner med "88 e7".

Hvordan kan man kontrollere hvorvidt trådløsfunksjonen til apparatet er aktivert?

Bruk smarttelefonen eller nettbrettet, kontroller med appen Whirlpool 6th Sense Live at nettforbindelsen til apparatet er synlig og tilkoblet cloud-tjenesten.

Hva kan hindre at signalet når fram til apparatet?

Kontroller at de tilkoblede enhetene ikke opptar den tilgjengelige båndbredden.

Kontroller at antall aktiverte enheter på den aktuelle WiFi-forbindelsen ikke overskrider maksimalt antall forbindelser som støttes av routeren.

Hvor stor avstand burde det være mellom routeren og apparatet?

Vanligvis er WiFi-signalet sterkt nok til å dekke et par rom, men den faktiske rekkevidden avhenger av veggens tykkelse og materiale. Man kan kontrollere signalstyrken ved å bringe smarttelefonen eller nettbrettet nærmere enheten.

Hva kan man gjøre hvis den trådløse nettverksforbindelsen ikke når fram til enheten?

Det kan brukes spesifikke enheter for å forbedre deknningen til WiFi-hjemmenettverket, for eksempel ved hjelp av ekstra tilgangspunkter, repeater-enheter og power lines (medfølger ikke apparatet).

Hvor kan jeg finne navnet og passordet til det trådløse nettverket?

Det henvises til dokumentasjonen som medfølger ruterens. Vanligvis er det påsatt et klistremerke på ruterens. Denne inneholder informasjon om hvordan man får tilgang til konfigurasjonssiden med en tilkoblet enhet.

Hva kan gjøres hvis ruterens kobler seg på naboens WiFi-forbindelse?

Tving ruterens til å bruke det riktige WiFi-nettverket.

Hva kan jeg gjøre hvis statuslampen til nettverket fortsetter å blinke langsomt og ikke lyser uavbrutt, eller hvis det ikke er mulig å opprette en stabil forbindelse med ruterens i hjemmenettverket?

Det er mulig at enheten kobler seg til ruterens uten å få tilgang til Internett. For å koble apparatet til internett må man kontrollere ruterens og/eller innstillingene til linjen.

Ruterinnstillinger: NAT må være aktivert, Firewall og DHCP må være korrekt konfigurert. Type passordkryptering som må

være støttet: WEP, WPA, WPA2. Hvis man vil bruke en annen type kryptering, kan man lese håndboken til ruterens.

Linjeinnstillinger: Hvis den aktuelle internettleverandøren har fastsatt hvor mange MAC-adresser som kan koble seg til internett, kan det hende at man ikke kan koble maskinen til cloud-tjenesten.

MAC-adressen er en unik ID og varierer for hver enhet. Man må kontakte leverandøren for info hvis det skal kobles til enheter som ikke er datamaskiner.

Hvordan kan man kontrollere at data faktisk sendes?

Etter at man har konfigurert nettverket, må man slå av apparatet, vente i 20 sekunder og deretter slå det på igjen. Kontroller at appen viser statusen til apparatets brukergrensesnitt.

Noen innstillinger kan ta flere sekunder før de vises i appen.

Kan jeg endre Whirlpool 6th kontoen mens apparater forblir tilkoblet?

Det kan opprettes en ny konto, men man må huske å deaktivere tilknytningen mellom enhetene og den gamle kontoen før de nye tilknyttes.

Hva må gjøres hvis ruterens byttes?

Man kan beholde de samme konfigurasjonsparametrene (nettverksnavn og passord), eller slette de forrige innstillingene fra enheten og gjenta konfigurasjonsprosedyren.

VEDLIKEHOLD

• **Rengjøring:** I forbindelse med rengjøring må man kun bruke en fuktig klut med skånsomt vaskemiddel. Ikke bruk instrumenter eller annet vaskeutstyr til rengjøring.

✘ **A Fettfilter:** Må rengjøres en gang i måneden (eller når varselsystemet for filtermetning aktiveres - hvis modellen har dette systemet) med skånsomme vaskemidler, manuelt eller i oppvaskmaskin ved lav temperatur og kort vaskesyklus.

Hvis det brukes oppvaskmaskin kan det hende at fettfilteret i metall mister fargen. Dette betyr dog ikke at filteret mister sine egenskaper.

• Fettfilteret absorberer fettpartiklene som kommer fra steking. Hvis det brukes oppvaskmaskin kan det hende at fettfilteret i metall mister fargen. Dette betyr dog ikke at filteret mister sine egenskaper.

• ✘ **B Karbonfilter (kun for filtreringsversjon):**

Filterpatronen må skiftes ut minst hver fjerde måned. Den kan IKKE renses eller regenereres. Som forklart i tegningsdelen: Fjern fettfiltrene, sett inn karbonfilter på hver side og fest til produktet igjen. Sett fettfiltrene på plass.

Belysning

• Lysanlegget er basert på LED-teknologi. LED-lamper gir optimal belysning med opptil 10 ganger lengre varighet i forhold til tradisjonelle lyspærer og gjør det mulig å oppnå 90% strømbesparelse.

• **Lysanlegg** : Lysanlegget kan ikke skiftes ut av brukeren. Hvis det oppstår feilfunksjoner bes man kontakte kundeservice.

KASSERING VED ENDT LIVSSYKLUS



Dette apparat er blitt merket i samsvar med 2012/19/EC - UK SI 2013 Nr.3113, WEEE-direktivet (Waste Electrical and Electronic Equipment).

Ved å se til at dette produktet kasseres på korrekt måte, hjelper brukeren til med å unngå potensielle negative konsekvenser for miljø og helse. Symbolet på produktet eller på dokumentasjonen som følger med dette, indikerer at det ikke må kastes sammen med vanlig husholdningsavfall, men leveres inn til en miljøstasjon eller returpunkt som tar seg av gjenvinning av elektrisk og elektronisk avfall. Kast apparatet i overensstemmelse med lokale regler for eliminering av avfall. For ytterligere informasjon om behandling og gjenvinning av dette produktet, vennligst ta kontakt med lokale myndigheter, en gjenvinningsstasjon, eller butikken hvor produktet ble kjøpt.



Emballasjemateriell er 100% resirkulerbart og merket med gjenvinningsymbol

FORSKRIFTER

Apparatet er blitt utformet, testet og produsert i henhold til gjeldende sikkerhetsstandarder: EN/IEC 60335-1, EN/IEC 60335-2-31, EN/IEC 62233. Ytelse: EN/IEC 61591, ISO 5167-1, ISO 5167-3, ISO 5168, EN/IEC 60704-1, EN/IEC 60704-2-13, EN/IEC 60704-3, ISO 3741, EN 50564, IEC 62301. EMC: EN 55014-1, CISPR 14-1, EN 55014-2, CISPR 14-2, EN/IEC 61000-3-2, EN/IEC 61000-3-3.

UREGELMESSIG FUNKSJON

Hvis noe ikke fungerer burde man foreta noen enkle kontroller før kundestøtte kontaktes:

- Hvis hetten ikke fungerer:

Kontroller at:

-Det ikke er noen strømbrudd

-En hastighet er valgt

- Hvis hetten har lav ytelse:

Kontroller at:

-Motorens valgte hastighet er tilstrekkelig for mengden røyk og damp som frigis.

-Kjøkkenet er tilstrekkelig ventilert til at luften kan sirkulere.

-Karbonfilteret ikke er oppbrukt (hette med filterversjon).

- Hvis hetten har slått seg av under normal funksjon:

Kontroller at:

-Det ikke er noen strømbrudd.

-Den enpoldele utkoblingsenheten ikke er blitt utløst.

Hvis det oppdages uregelmessigheter i funksjonen, må man før teknisk kundestøtte kontaktes, koble apparatet fra strømforsyningen i minst 5 sekunder ved å koble til/fra strømpluggen. Hvis uregelmessigheten vedvarer bes man kontakte teknisk kundestøtte.

TEKNISKE DATA

Høyde (cm)	Bredde (cm)	Dybde (cm)	Ø utløpsrør (cm)
110-129,5	89,8	32	15

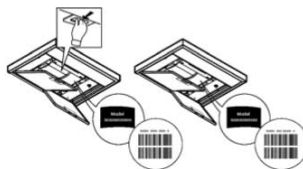


Komponenter medfølger ikke produktet



For å laste ned sikkerhetsinstruksjoner, bruksanvisning, teknisk datablad og energidata:

- Besøk nettsiden docs.whirlpool.eu
- Bruk QR-kode
- Eller **kontakt Kundeservice** (på telefonnummer som er gjengitt i garantiheftet). Når man kontakter Kundeservice må man oppgi kodene som er gjengitt på produktets merkeskilt.



ALLMÄN SÄKERHET

•Utför inga elektriska eller mekaniska variationer på produkten eller avledningsrören. Innan någon typ av rengörings- eller underhållsåtgärder utförs, ska produkten frånkopplas nätförsörjningen genom att kontakten dras ur eller huvudströmbrytaren kopplas från i bostaden. •Använd arbetshandskar för alla typer av installations- och underhållsmoment. • Produkten får användas av barn från 8 års ålder och av personer med nedsatt fysisk rörelseförmåga, sensorisk eller mental kapacitet, eller personer som saknar erfarenhet och kännedom om apparaten, under förutsättning att användandet övervakas eller instruktioner ges angående ett säkert användande av apparaten samt att användaren är medveten om de risker som apparaten medför. • Barn måste kontrolleras så att de inte leker med produkten. • Rengöring och underhåll får endast utföras av barn om de är under uppsikt. • Lokalen måste ha tillräcklig ventilation, när den används samtidigt med andra apparater med förbränning av gas eller andra bränslen. - Apparaten ska rengöras regelbundet både invändigt och utvändigt (MINST EN GÅNG I MÅNADEN), iaktta i alla händelser vad som uttryckligen anges i underhållsinstruktionerna. •Underlåtenhet att följa bestämmelser om rengöring av produkten och utbyte/rengöring av filtren medför brandrisk. • Det är strängt förbjudet att laga mat på lågan under produkten. • OBSERVERA: När spishällen är i funktion kan åtkomliga delar av produkten bli varma. • Anslut inte produkten till elnätet förrän installationen är helt klar. • Vad gäller de tekniska åtgärder och säkerhetsåtgärder som ska vidtas för rökgasavledning ska bestämmelser som fastställts av lokala behöriga myndigheter strikt iakttas. • Frånluft får inte avledas i ett rör som används för avledning av rökgaser som produceras av apparater med gasförbränning eller andra bränslen. • Använd inte eller lämna inte produkten utan korrekt monterade lampor för att undvika risk för elstöt. • Produkten ska ALDRIG användas utan korrekt monterat galler. • Produkten ska ALDRIG användas som arbetsplan om det inte uttryckligen anges.

• Använd endast de fästsruvar som levereras med produkten för installation eller köp rätt typ av skruvar, om de inte medföljer apparaten. Använd skruvar av korrekt längd som identifieras i Installationshandboken.

• **Varning!** Det kan uppstå elektriska risker om skruvar och fixeringsanordningar inte installeras enligt dessa instruktioner.

• För utbyte av lampan använd endast typen av lampa som indikeras i sektionen underhåll/belysningsystem i denna handbok. • Användning av öppen låga är skadlig för filtren och kan ge upphov till brand och måste därför alltid undvikas. • Frityr ska göras under kontrollerade former för att undvika att den uppvärmda oljan fattar eld. • Konsultera vid tvekan auktoriserad kundtjänst eller liknande kvalificerad personal.

Obs! Använd inte med programmerare, timer, separat fjärrkontroll eller någon annan anordning som aktiveras automatiskt.

- Minimum avståndet mellan stödytan för behållarna på kokanordningen och köksfläktens nedersta del får inte vara under 50 cm i fall av elektriska spisar och 65 cm i fall av gasspisar eller blandade.

Om instruktionerna för installation av gasspisanordningen specificerar ett större avstånd ska detta följas.

Håll barn under 3 år borta från apparaten. Apparaten måste förvaras utom räckhåll för barn under 8 år, som inte är under konstant uppsikt av en vuxen.

⚠️ WARNING: apparaten är inte avsedd att sättas i drift med hjälp av en extern enhet eller ett separat fjärrstyrningssystem.

⚠️ Denna apparat är inte avsedd för professionell användning. Använd inte apparaten utomhus.

⚠️ För att undvika risk för kroppsskador måste förflyttning och installation av apparaten utföras av två eller flera personer.

⚠️ Installationen, inklusive eventuell anslutning till vattenförsörjning (om sådan föreskrivs), samt elektriska anslutningar och reparationsåtgärder, måste utföras av kvalificerad personal.

När installationen har slutförts förvaras förpackningsmaterialet (plastdelar, frigolit etc.) utom räckhåll för barn för att undvika kvävningsrisk.

Använd inte apparaten om du är blöt eller barfota.

Använd aldrig apparaten för ångrengöring – risk för elstöt.

Emballagets material kan återanvändas till 100 % och är markerat med symbolen för återanvändning 

Apparatens utseende kan skilja sig från illustrationen i ritningarna i denna handbok men alla anvisningar för användning, underhåll och installation förblir desamma.

Följ noga instruktionerna i denna handbok. Tillverkaren fransäger sig allt ansvar för eventuella funktionsfel, skador eller bränder som uppstår på apparaten på grund av att instruktionerna i denna handbok inte har respekterats. Apparaten är endast avsedd för hushållsbruk för tillagning av livsmedel och utsugning av rök från själva tillagningen. Andra typer av användning är inte tillåtet (t.ex. rumsuppvärmning). Tillverkaren fransäger sig allt ansvar för olämplig användning eller felaktiga inställningar av reglagen.

- Läs igenom instruktionerna noggrant: dessa tillhandahåller viktig information beträffande installation, användning och säkerhet.

- Utför inte elektriska ändringar på apparaten.

- Innan installation av apparaten påbörjas, kontrollera att inga skador har uppstått på komponenterna. Kontakta i annat fall återförsäljaren innan installationen utförs.

- Det är viktigt att spara alla handböcker som medföljer produkten för att i varje moment kunna konsultera dem. Vid försäljning, avyttring eller förflyttning, se till att de förblir tillsammans med produkten.

ELANSLUTNING

Nätspänningen ska motsvara spänningen som återges på typskylten som är placerad inuti fläkten. Om försedd med stickkontakt, anslut fläkten till ett uttag som överensstämmer med gällande standarder, placerat i ett område som kan nå även efter installationen. Om den inte har stickkontakt (direkt anslutning till

elnätet) eller stickkontakten inte sitter på åtkomligt område, även efter installationen, appliceras en standardenlig tvåpolig brytare som säkerställer fullständig frånkoppling från nätet i situationer med överspänning av kategori III, enligt installationsreglerna.

● **Varning!** Kontrollera innan fläktens krets ansluts med nätspänningen att den fungerar korrekt och att elkabeln är korrekt monterad.

Använd inte förlängningssladdar, multipeluttag eller adaptrar.

Nätets spänning och frekvens

Hänvisa till det värde som anges på etiketten på insidan av fläkten.

Anslutning av trådar

⬇: gul/grön

N:blå

L: brun

Utbyte av matningskabeln

Fläkten är utrustad med en särskild matningskabel; i händelse av skador på kabeln, begär en ny från teknisk assistans.

LUFTUTSLÄPP

(för sugversioner)

Anslut fläkten till utloppsrör och luftöppningar i väggen, med en diameter som motsvarar luftutsläppet (kopplingsfläns).

Användning av utloppsrör och luftöppningar i väggen med en mindre diameter leder till en minskad frånluftskapacitet och en drastisk ökning av buller.

Vi fransäger oss allt ansvar vad beträffar detta.

! Använd en rörledning av minsta oundgängliga längd

! Använd en rörledning med så få böjningar som möjligt (maximal böjningsvinkel: 90°

! Undvik drastiska ändringar i ledningens tvärsnitt.

! Företaget avsägar sig allt ansvar om dessa standarder inte iakttas.

FILTRERANDE ELLER SUG?

! Din fläkt är klar för användning i sugversion.

För att använda fläkten i den filtrerande versionen ska det särskilda TILLBEHÖRSKITSET installeras.

Kontrollera i denna handboks första sidor, om TILLBEHÖRSKITSET redan medföljer eller om det ska köpas separat.

Obs: Om det medföljer, kan i vissa fall, det extra filtreringssystemet med aktivt kol redan vara installerat på fläkten.

Informationerna för omvandling av fläkten från sugversion till filtreringsversion ingår redan i denna handboken.

Frånluftsversion

Ångorna töms ur utåt genom en utsläppsslang som är fäst vid kopplingsflänsen.

⚠ OBSERVERA

Avloppsröret medföljer inte och måste köpas.

Avloppsrörets diameter ska vara likvärdig med kopplingsringens diameter.

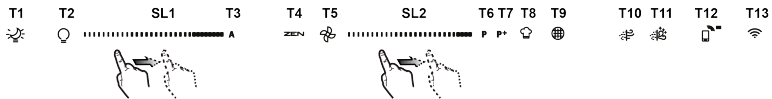
Om fläkten är utrustad med kolfilter ska detta/dessa avlägsnas.

Filtrerande version

Den sugna luften avfettas och desodoriseras innan den förs tillbaka i lokalen. För att använda fläkten i denna versionen är det nödvändigt att installera ett extra filtreringssystem med aktivt kol.

KOMMANDON

Fläkten är utrustad med en manöverpanel med en hastighetskontroll och en strömbrytare för spishällens belysning.



- T1. ON/OFF "Night Light"
- T2. ON/OFF spishällens belysning – Val av varm eller kall färg
- T3. Funktionen "Autolight"
- T4. Funktionen "Zen Mode"
- T5. Motor PÅ/AV
- T6. Funktionen "POWER BOOST 1"
- T7. Funktionen "POWER BOOST 2"
- T8. Den automatiska funktionen "COOKSENSE"
- T9. Indikator för filtermättnad
- T10. ON/OFF-läge för funktionen "Breath Daily Cycle"
- T11. ON/OFF-läge för funktionen "Breath Intensive Cycle"
- T12. Indikatoreringsljus för aktiv Wi-Fi-funktion
- T13. Wi-Fi-anlutning

T1. ON/OFF "NIGHT LIGHT"

Tryck för att tända/släcka den dämpade omgivningsbelysningen.

T2. ON/OFF SPISHÄLLENS BELYSNING – VAL AV VARM ELLER KALL FÄRG

Tryck för att tända/släcka spishällens belysning

- När belysningen är tänd ska du stryka med fingrarna över LED-remsan **SL1** åt höger eller åt vänster för att öka eller minska belysningens intensitet.

Tryck (länge) på nytt för att ställa in hur varm belysningens färg ska vara.

- Stryk med fingrarna över LED-remsan **SL1** åt höger eller vänster för att konfigurera en kallare eller varmare belysningsfärg. Om färgen inte förändras på 5 sekunder så blinkar **SL1** på den färgnivå som ställts in. En ljudsignal indikerar att systemet har sparat den konfigurerade inställningen.

Obs: Ijuset tänds med den sista färgen som konfigurerades innan avstängningen.

T3. FUNKTIONEN "AUTOLIGHT"

Tryck för att aktivera/inaktivera den automatiska belysningsfunktionen "Autolight".

Obs: Funktionen aktiverats bara när fläkten är ansluten till spishällens Wi-Fi. När funktionen har aktiverats hanteras spishällens belysning automatiskt beroende på den anslutna spishällens status.

T4. FUNKTIONEN "ZEN MODE"

Tryck för att aktivera/inaktivera fläktfunktionen "ZEN".

Den här funktionen gör det möjligt att aktivera en fläkthastighet som är den bästa kompromissen mellan tysthet och effektivitet.

T5. MOTOR PÅ/AV

Tryck för att sätta på/stänga av fläktmotorn.

- När motorn är på ska du stryka med fingrarna över LED-remsan **SL2** åt höger eller åt vänster för att öka eller minska fläkthastigheten/-effekten.

T6. FUNKTIONEN "POWER BOOST 1"

Tryck på T6 när fläktmotorn är på, för att aktivera den intensiva fläkthastigheten (effekten) "POWER BOOST 1" (tidsinställd).

Obs: Efter 5 minuter fortsätter fläkten att fungera med den hastighet som tidigare konfigurerats

T7. FUNKTIONEN "POWER BOOST 2"

Tryck på T7 när fläktmotorn är på, för att aktivera den intensiva fläkthastigheten (effekten) "POWER BOOST 2" (tidsinställd).

Obs: Efter 5 minuter fortsätter fläkten att fungera med den hastighet som tidigare konfigurerats.

T8. DEN AUTOMATISKA FUNKTIONEN "COOKSENSE"

Fläkten konfigurerar automatiskt fläkthastigheten/-effekten **1** för att sedan öka den om de omgivningsförhållanden som

fläktsensorn detekterar kräver detta.

Om inga förändringar av omgivningsförhållandena detekteras (och om fläkten redan har fläkthastigheten/-effekten **1**) så stängs fläkten av efter 5 minuter.

Obs: utför först "Reglering av parametrar för automatisk funktion" för att använda den här funktionen på rätt sätt (se relaterad paragraf).

Obs: om användaren påverkar andra funktioner som reglerar hastigheten under den automatiska funktionen, så inaktiveras den automatiska fläktfunktionen.

T9. INDIKATOR FÖR FILTERMÄTTNAD

Med jämna mellanrum signalerar fläkten att filtren behöver underhållas.

Obs: indikatorerna aktiveras när fläkten är på.

Knapp **T9** lyser: utför underhåll av fettfilter.

Knapp **T9** blinkar: utför underhåll av filter med aktivt kol.

Återställ indikator för filtermättnad:

Obs: denna åtgärd ska utföras med fläkten påslagen.

Tryck länge på knappen **T9**. Ljuset slocknar vilket indikerar att återställningen har utförts.

Aktivering av mättnadsindikator för filter med aktivt kol.

Obs: denna åtgärd ska utföras med fläkten avstängd.

Denna indikator är vanligtvis inaktiverad och aktiveras om en fläkt med filtrerande version, det vill säga med befintliga kolfilter, installerats.

Tryck länge samtidigt på knapparna **T1** och **T10** för att aktivera funktionen. Knapparna tänds för att indikerar att aktiveringen utförts.

Inaktivera funktionen genom att på nytt trycka länge på samma knappar (**T1** och **T10**). Knapparna blinkar en kort stund och slocknar sedan, vilket indikerar att inaktiveringen utförts.

T10. ON/OFF-LÄGE FÖR FUNKTIONEN "BREATH DAILY CYCLE"

Fläkten konfigurerar automatiskt fläkthastigheten/-effekten **1** för att sedan öka den om de omgivningsförhållanden som fläktsensorn detekterar kräver detta.

Om de detekterade omgivningsförhållandena inte orsakar några förändringar av fläkthastigheten så stängs fläkten av efter 2 timmar.

I vilket fall som helst så inaktiveras fläkten ändå oundvikligen efter 5 timmar.

Obs: utför först "Reglering av parametrar för automatisk funktion" för att använda den här funktionen på rätt sätt (se relaterad paragraf).

T11. ON/OFF-LÄGE FÖR FUNKTIONEN "BREATH INTENSIVE CYCLE"

Fläkten konfigurerar automatiskt fläkthastigheten/-effekten **5** för att sedan öka den om de omgivningsförhållanden som fläktsensorn detekterar kräver detta.

Om de detekterade omgivningsförhållandena inte orsakar några förändringar av fläkthastigheten så stängs fläkten av efter 2 timmar.

I vilket fall som helst så inaktiveras fläkten ändå oundvikligen efter 5 timmar.

Obs: utför först "Reglering av parametrar för automatisk funktion" för att använda den här funktionen på rätt sätt (se relaterad paragraf).

T12. INDIKERINGSLJUS FÖR AKTIV WI-FI-FUNKTION

Indikatorn tänds när fläkten fjärrstyrs via appen.

T13. WI-FI-ANSLUTNING

Tryck för att aktivera/inaktivera Wi-Fi-funktionerna.

Den här funktionen gör det möjligt att ansluta produkten till internet och att övervaka/kontrollera fläkten på distans via en smartphone eller en surfplatta.

Apparaten måste anslutas till ett trådlöst nätverk (internet) för att Wi-Fi-funktionen ska kunna användas. Följ konfigureringsproceduren som beskrivs i instruktionerna "WI-FI-MANUAL".

REGLERING AV PARAMETRAR FÖR AUTOMATISK FUNKTION

Utför "Kalibrering av fläkten" och "Val av spishäll" för att kunna använda den automatiska funktionen på rätt sätt.

Kalibrering av fläkten

Obs: denna åtgärd måste utföras i standby-läget, det vill säga 1 minut efter att motorn har stängts av så trycker du på knappen **T4** i 5 sekunder.

Fläkthastigheten/-effekten **1** börjar att fungera och knappen **T4** blinkar för att visa att kalibreringen av fläkten har påbörjats.

Denna pågår i cirka 5 minuter.

Obs: tryck på **T4** i 5 sekunder för att avbryta kalibreringen. Kalibreringen blir ogiltig och måste därför göras om.

Obs: när produkten ansluts till elnätet för första gången så utförs kalibreringen automatiskt: **T4** blinkar: vänta 5 minuter tills kalibreringen är slutförd.

Val av spishäll

Obs: denna åtgärd måste utföras i standby-läget, det vill säga 1 minut efter att motorn har stängts av så trycker du på knappen **T10+T11** i 5 sekunder.

Knapparna **T10** och **T11** tänds.

Om spisen är en gasspis så trycker du på knappen **T10** – knappen blinkar och indikerar att valet har gjorts.

Om spisen är en elektrisk så trycker du på knappen **T11** – knappen blinkar och indikerar att valet har gjorts.

Den intryckta knappen blinkar i 3 sekunder för att indikera att valet har memorerats.

INSTRUKTIONER FÖR WI-FI-ANSLUTNING

FJÄRRKONTROLL/KONFIGURERINGSPROCESS FÖR APPEN “Whirlpool 6th Sense Live”

Appen Whirlpool 6th Sense Live gör det möjligt att aktivera och kontrollera apparaten på distans från en extern enhet. Anslutningens konfigureringsprocedur måste utföras för att apparatens fjärrstyrning ska aktiveras. Den här proceduren är nödvändig för att registrera apparaten och ansluta den till hemmets nätverk. Konfigureringen måste bara utföras en gång. Den kommer enbart att behöva utföras på nytt vid eventuell ändring av routerns egenskaper (nätverkets namn, lösenord eller dataleverantör).

1.1 INNAN DU PÅBÖRJAR KONFIGURERINGSPROCEDUREN

1. Du behöver följande för att kunna utföra proceduren: En smartphone eller en surfplatta med operativsystemet Android 7.0 (eller högre), eller en Ipad eller en Iphone med operativsystemet IOS 11 (eller högre); • en Wi-Fi-router b/g/n 2.4 Ghz som är ansluten till internet (verifiera med en smartphone eller en surfplatta att signalen från hemmets trådlösa nätverket är god i den zon där apparaten finns).
2. Ladda ner och installera gratisappen Whirlpool 6th Sense Live på från appbutiken på din Android-smartphone eller -surfplatta, eller på din iPad/iPhone. Appen ger alla instruktioner för installationsproceduren. Om du inte har något konto än så måste du skapa ett och registrera dig för tjänsten (samt skriva under de juridiska villkoren) för att kunna utnyttja appens tillgängliga funktioner.
3. Registrera din apparat genom att följa instruktionerna i appen. Under registreringsproceduren kommer du att behöva SAID-koden (Smart Appliance Identifier) som finns på apparatens etikett. SAID-koden är en kombination av nummer och bokstäver (10 tecken). Anteckna din apparats SAID-kod här:

SAID

1.2 INNAN DU PÅBÖRJAR KONFIGURERINGSPROCEDUREN

- Innan installationen påbörjas så ska du sätta på routern och verifiera att det signalen från hemmets trådlösa nätverk når apparaten. Verifiera Wi-Fi-signalens styrka genom att använda en surfplatta eller en smartphone som bara är ansluten till routerns Wi-Fi. Inaktivera alla andra anslutningar och placera enheten i närheten av apparaten. Öppna vilken internetsida som helst från en webbläsare och kontrollera att den laddas snabbt och på rätt sätt. Om anslutningen till internet i hemmet fungerar som den ska, men sidan inte laddas, så kan du behöva installera en Wi-Fi-extender (följer inte med apparaten).
- Om routern har stöd för WPS 2.0 (eller senare versioner) följer du proceduren för automatisk konfiguration för att ansluta apparaten till routern. Om routern inte stöder WPS så ska du utföra den manuella konfigureringsproceduren

Följ instruktionerna i appen Whirlpool 6th Sense Live som visas i din smartphone eller din surfplatta för att ansluta apparaten till ditt Wi-Fi-nätverk.

I annat fall så följer du en av procedurerna för automatisk eller manuell anslutning som beskrivs i följande paragrafer.

1.2.1. INSTRUKTIONER FÖR AUTOMATISK KONFIGURERING (VID FÖRSTA ANVÄNDNINGEN) – WPS-METODEN

Den här proceduren kan bara användas om routern har stöd för WPS 2.0 (eller senare versioner)

1. Aktivera igenkänningsprocessen på apparaten genom att trycka på anslutningsknappen i 3 sekunder (en bekräftande ljudsignal hörs). Apparaten konfigureras till läget "sökning" efter ett lokalt nätverk. Anslutningsikonen på apparaten börjar att blinka snabbt.
2. Tryck på knappen WPS på den trådlösa routern för att etablera en anslutning mellan de båda produkterna. En indikeringslampan på routern börjar att blinka.
3. När apparaten ansluter sig till den lokala routern så börjar Wi-Fi-ikonen att blinka långsammare (denna funktion stöds inte av alla apparater).
4. Apparaten försöker att ansluta sig till backend-systemet. Anslutningsikonen fortsätter att lysa med ett fast sken. Om Wi-Fi-ikonen inte slutar att blinka efter några minuter så betyder det att apparaten inte har kunnat etablera någon anslutning till nätverket via WPS. Försök med att repetera proceduren. Om detta inte skulle fungera ska du använda den manuella konfigureringsproceduren.
5. Anslutningsproceduren till Wi-Fi-nätverket kan avbrytas genom att trycka på anslutningsknappen.

1.3 INAKTIVERING/AKTIVERING AV WI-FI-ANSLUTNINGEN

Inaktivera apparatens anslutning till Wi-Fi-nätverket genom att trycka på anslutningsknappen i 5 sekunder (en bekräftande ljudsignal hörs). Wi-Fi-ikonen på apparatens display bör slockna.

Tryck på produktens Wi-Fi-knapp för att återaktivera apparatens Wi-Fi-anslutning.

När anslutningen väl har konfigurerats är det möjligt att inaktivera den och koppla bort apparaten från Wi-Fi-nätverket genom att trycka på anslutningsknappen i 10 sekunder (två bekräftande ljudsignaler hörs, den första efter 5 sekunder och den andra efter 10 sekunder).

Wi-Fi-ikonen på apparatens display bör slockna.

Anslut apparaten till Wi-Fi-nätverket igen genom att följa proceduren beskriven i avsnittet "Konfigurationsförberedelse".

1.4 INSTRUKTIONER FÖR MANUELL KONFIGURERING (VID FÖRSTA ANVÄNDNINGEN) – "MICRO ACCESS POINT"-METODEN

Den här proceduren använder tekniken Micro Access Point och kan användas med routrar som inte stöder WPS.

1. Innan du påbörjar konfigurationen ska du anteckna namnet och lösenordet för hemmets trådlösa nätverk, samt apparatens SAID-kod. Dessa data kommer att behövas under installationsproceduren.
2. Sätt på routern. Kontrollera att internetanslutningen är aktiv och anslut din smartphone/surfplatta till Wi-Fi-nätverket.
3. Aktivera igenkänningsprocessen på apparaten genom att trycka på anslutningsknappen i 5 sekunder. Två bekräftande ljudsignaler hörs, den första efter 3 sekunder och den andra efter 5 sekunder. • ikonen för Wi-Fi-nätverket bör börja blinka på apparatens gränssnitt.
4. Scanna QR-koden på etiketten som sitter på apparaten. Nu ger appen Whirlpool 6th Sense Live detaljerade instruktioner om hur proceduren ska utföras. Obs: Under vissa omständigheter är det möjligt att appen ber dig att specificera typen av apparat; i detta fall väljer du Fläkt.
5. När anslutningen har etablerats så ska apparatens Wi-Fi-ikon sluta att blinka och fortsätta att vara tänd med ett fast ljus. I annat fall så ska apparaten kopplas ur och sedan återanslutas till elnätet. Repetera proceduren.
6. Konfigureringsproceduren är avslutad.

1.5 FJÄRRSTYRNING/VARDAGLIG ANVÄNDNING

Denna funktion finns endast för vissa typer av apparater.

1. Kontrollera att routern är på och ansluten till internet.
2. Kontrollera att indikeringslampan som visar Wi-Fi-anslutningens status på produktens display, lyser med ett fast ljus.
3. Med appen **Whirlpool 6th Sense Live** kan du fjärrstyra apparaten och framförallt får du möjlighet att:
 - kontrollera apparaten och aktivera olika funktioner även när du inte är hemma.
 - få tillgång till ytterligare funktioner, som exempelvis läget Smart Energy
 - optimerar energiförbrukningen och exempelvis dra nytta av de mest förmånliga tidsperioderna.
 - få tillgång till ytterligare information om apparatens användning.

- verifiera apparatens status och eventuellt behov av underhåll (till exempel filterbyte).
- Genom att synkronisera fläkten med en kompatibel spishåll och en kompatibel pyrolytisk ugn kan apparaten aktivera sig helt automatiskt.

1.6 SNABB IDENTIFIERING AV APPARATENS ANSLUTNINGSTATUS

Om indikeringslampan för Wi-Fi-anslutningens status på produktens display blinkar snabbt så betyder detta att apparaten försöker att ansluta sig till routern. Om den istället blinkar långsamt så betyder det att apparaten är ansluten till routern men inte lyckas ansluta sig till internet. Detta kan till exempel bero på att ADSL-nätet inte fungerar. Vissa typer av apparater har inget stöd för blinkande med olika hastigheter.

Om indikeringslampan lyser med ett fast ljus så betyder det att apparaten är ansluten till internet och till Whirlpools molnsystem.

1.7 VANLIGA FRÅGOR OM WI-FI-ANSLUTNING

Vilka Wi-Fi-protokoll stöds?

Den installerade Wi-Fi-adaptorn stödjer Wi-Fi b/g/n-anslutning för europeiska länder.

Vilka inställningar behöver konfigureras i routerns mjukvara?

Följande inställningar krävs för routern: 2.4 Ghz aktiverade, WiFi b/g/n, DHCP och NAT aktiverade.

Vilken WPS-version stöds?

WPS 2.0 eller senare versioner. Kontrollera routerns dokumentation.

Finns det någon skillnad mellan Android- och iOS-smartphones (eller surfplattor)?

Det är ingen skillnad, det går att använda vilket som helst av operativsystemen.

Går det att använda tethering via anslutning till en mobiltelefon istället för till en router?

Ja, men molntjänsterna är avsedda för enheter med permanent anslutning.

Hur går det att kontrollera att internetanslutningen i hemmet fungerar och att den trådlösa funktionen är aktiverad?

Det går att söka efter sin smarta enhet på nätet. Inaktivera alla andra dataanslutningar innan du provar.

Hur kan man verifiera att apparaten är ansluten till det egna Wi-Fi-nätverket?

Gå in i routerns konfiguration (se routerns manual) och kontrollera att apparatens MAC-adress finns i listan över anslutna trådlösa enheter.

Var hittar jag apparatens MAC-adress?

Direkt på apparaten:

titta efter etiketten med SAID- och MAC-adresserna.

MAC-adressen består av en kombination av siffror och bokstäver som börjar på "88:e7".

Hur går det att kontrollera om apparatens trådlösa funktion är aktiverad?

Använd en smartphone eller en surfplatta och kontrollera i appen Whirlpool 6th Sense Live att apparatens nät är synligt och anslutet till molnet.

Vad kan hindra signalen från att nå apparaten?

Kontrollera att de anslutna enheterna inte tar upp hela det tillgängliga bandet.

Kontrollera att antalet enheter som aktiverats för Wi-Fi-anslutningen inte överstiger det maximala antalet som routern stöder.

Vilket avstånd ska det vara mellan routern och apparaten?

I vanliga fall är Wi-Fi-signalen tillräckligt stark för att täcka ett par rum, men den effektiva räckvidden beror till stor del på materialet i väggarna. Det går att kontrollera signalstyrkan genom att föra smartphonen eller surfplattan närmare apparaten.

Vad kan man göra om anslutningen till det trådlösa nätverket inte når apparaten?

Det går att använda specifika enheter för att utöka det trådlösa nätverkets täckning, som till exempel access point, Wi-Fi-repeaters och Powerline (följer inte med apparaten).

Var kan man hitta det trådlösa nätverkets namn och lösenord?

Kontrollera routerns dokumentation. Det finns vanligtvis en etikett på routern med nödvändig information för att gå in på konfigureringsidan med hjälp av en ansluten enhet.

Vad ska man göra om routern använder grannarnas Wi-Fi-kanal?

Tvinga routern att använda hemmets Wi-Fi-kanal.

Vad kan man göra om indikeringslampan för anslutningsstatusen fortsätter att blinka långsamt och inte lyser med något fast ljus, eller om det inte går att etablera någon stabil anslutning med routern?

Det kan hända att apparaten ansluter sig till routern men inte kan komma åt internet. Kontrollera routerns och/eller linjens

inställningar för att ansluta apparaten till internet.

Routerns inställningar: NAT måste vara aktivt. Brandvägg och DHCP måste vara konfigurerade på rätt sätt. Typ av kryptering som stöds för lösenorden: WEP, WPA, WPA2. Ta routerns manual till hjälp om du önskar använda en annan typ av kryptering.

Linjens inställningar: om internetleverantören har bestämt hur många MAC-adresser som kan anslutas till internet ett så kan det hända att det inte går att ansluta apparaten till molnet.

MAC-adressen är en unik identifierare och den är unik för varje enhet. Du måste fråga leverantören om vilken procedur som ska följas för att ansluta andra enheter än datorer till internet.

Hur går det att kontrollera om uppgifterna skickas?

Efter att du har konfigurerat nätverket så stänger du av apparaten, väntar 20 sekunder och sedan sätter du på den igen. Kontrollera att appen visar statusen i apparatens användargränssnitt.

Det tar flera sekunder för vissa inställningar innan de syns i appen.

Går det att modifiera Whirlpool 6th-kontot medan apparaterna är anslutna?

Det är möjligt att skapa ett nytt konto, men det är viktigt att komma ihåg att koppla bort sina apparater från det gamla kontot innan de kopplas till det nya.

Vad ska jag göra om jag byter router?

Det är möjligt att behålla samma konfigureringsparametrar (nätverkets namn och lösenord) eller att annullera apparatens tidigare inställningar och upprepa konfigureringsproceduren.

UNDERHÅLL

- **Rengöring:** För rengöring använd endast en duk som fuktats med mildt flytande rengöringsmedel. Använd inte verktyg eller instrument för rengöring.

- **✘A Avfettningsfilter:** Dette må rengjøres en gang i måneden (eller når det elektroniske systemet viser at filteret er skittent – hvis din modell har denne funksjonen), med milde (ikke aggressive) rengjøringsmidler, for hånd eller i oppvaskmaskin ved lav temperatur og med kort syklus. Ved vask i oppvaskmaskin kan fettfilteret i metall miste fargen, men dets filterkarakteristikker endres absolutt ikke.

- Avfettningsfiltret håller kvar fettpartiklar frå matlagingen. Metallfettfiltret kan blekna vid diskning i diskmaskin men dess filtreringsegenskaper ändras inte alls.

- **✘B Kolfilter (endast för filtreringsversion):**
Patronen måste bytas ut max var fjärde månad. Den får INTE tvättas eller regenereras. Såsom indikeras i ritningsseksjonen: ta bort fettfiltren, applicera ett kolfilter per sida och sätt fast på produkten. Sätt tillbaka fettfiltren.

Belysning

- Belysningsssystemet är baserat på LED-teknik. LED-lamporna garanterar en optimal belysning, med en varaktighet på mer än 10 gånger traditionella lampor och tillåter att spara 90 % av elenergin.

- **Belysningsssystem :** Belysningsssystemet kan inte bytas ut av användaren, kontakta kundtjänst vid felfunktion.

BORTSKAFFNING VID LIVSCYKELNS SLUT



Denna apparat är märkt i överensstämmelse med Europadirektivet 2012/19/EG - UK SI 2013 Nr.3113, Avfall av elektrisk och elektronisk utrustning (WEEE).

Se till att denna produkt bortskaffas på rätt sätt. Användaren bidrar till att förhindra potentiella negativa effekter för miljö och hälsa. Symbolen på produkten, eller i medföljande dokumentation, visar att denna produkt inte får behandlas som vanligt hushållsavfall. Den ska i stället lämnas in på lämpligt uppsamlingscenter för återvinning av elektrisk och elektronisk utrustning. Produkten ska bortskaffas enligt lokala miljöbestämmelser för avfallshantering. För mer information om hantering, återanvändning och återvinning av denna produkt, var god kontakta lokala myndigheter, ortens hanteringstjänst för hushållsavfall eller butiken där produkten inhandlades.



Emballagets material kan återanvändas till 100 % och är markerat med symbolen för återanvändning

FÖRORDNINGAR

Utrustningen är konstruerad, testad och tillverkar enligt säkerhetsförfordningar: EN/IEC 60335-1; EN/IEC 60335-2-31, EN/IEC 62233. Prestanda: EN/IEC 61591; ISO 5167-1; ISO 5167-3; ISO 5168; EN/IEC 60704-1; EN/IEC 60704-2-13; EN/IEC 60704-3; ISO 3741; EN 50564; IEC 62301. EMC: EN 55014-1; CISPR 14-1; EN 55014-2; CISPR 14-2; EN/IEC 61000-3-2; EN/IEC 61000-3-3.

FUNKTIONSFEL

Om något verkar att inte fungera, utför dessa kontroller innan du tillkallar Kundtjänst:

- Om fläkten inte fungerar:

Kontrollera att:

-Strömavbrott inte föreligger

-En hastighet har valts

- Om fläkten fungerar dåligt:

Kontrollera att:

Den valda motorhastigheten är tillräcklig för mängden frigjord rök o ånga.

-Köket är tillräckligt genomluftat för att tillåta luftintag.

.Kolfiltret inte är uttjänt (fläkt med filtrerande version).

- Om fläkten stängts av under den normala funktionen:

Kontrollera att:

-strömavbrott inte föreligger.

-den flerpolära avstängningsanordningen inte har utlösts.

I händelse av eventuella funktionsfel, koppla bort apparaten från elmatningen i minst 5 sek. innan du tillkalla kundtjänst, genom att dra ut stickkontakten och anslut den sedan på nytt. Om funktionsfelet skulle kvarstå, kontakta kundtjänst.

TEKNISKA DATA

Höjd (cm)	Bredd (cm)	Djup (cm)	Ø avloppsrör (cm)
110-129,5	89,8	32	15



Komponenter som inte medföljer produkten



För att ladda ner säkerhetsinstruktionerna, användningsmanualen, det tekniska säkerhetsbladet och energidata:

- Besök webbsidan docs.whirlpool.eu
- Använd QR-koden
- Eller **kontakta kundtjänst** (på telefonnumret som återges på garantisedeln). När du kontaktar kundtjänst ska moderna på produktens serienummerplåt återges.

