

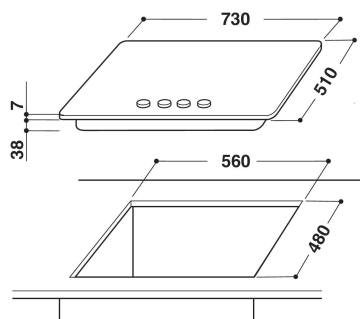
AKT 797/IX

12NC: 859479738000

EAN code: 8003437809552

Whirlpool

SENSING THE DIFFERENCE



MAIN FEATURES

| | |
|--|------------|
| Product group | Hob |
| Construction type | Built-in |
| Type of control | Mechanical |
| Type of control setting and signalling devices | - |
| Number of gas burners | 5 |
| Number of electric cooking zones | 0 |
| Number of electric plates | 0 |
| Number of radiant plates | 0 |
| Number of halogen plates | 0 |
| Number of induction plates | 0 |
| Number of electric warming zones | 0 |
| Location of control panel | Hob Front |
| Basic surface material | Inox |
| Main colour of product | Inox |
| Electrical connection rating (W) | 0 |
| Gas connection rating (W) | 11000 |
| Current (A) | - |
| Voltage (V) | 230 |
| Frequency (Hz) | 50 |
| Length of Electrical Supply Cord (cm) | - |
| Plug type | No |
| Gas connection | Cilindric |
| Width of the product | 730 |
| Height of the product | 41 |
| Depth of the product | 510 |
| Minimum niche height | 38 |
| Minimum niche width | 560 |
| Niche depth | 480 |
| Net weight (kg) | 14.20 |
| Automatic programmes | No |

TECHNICAL FEATURES

| | |
|-------------------------|-----------|
| Power on indicator | No |
| Plate on indicator | 0 |
| Type of regulation | Semirapid |
| Type of lid | Glass |
| Residual heat indicator | without |
| Main on/off switch | No |
| Safety device | - |
| Timer | No |

PERFORMANCES

| | |
|--------------|-----|
| Energy input | Gas |
|--------------|-----|