

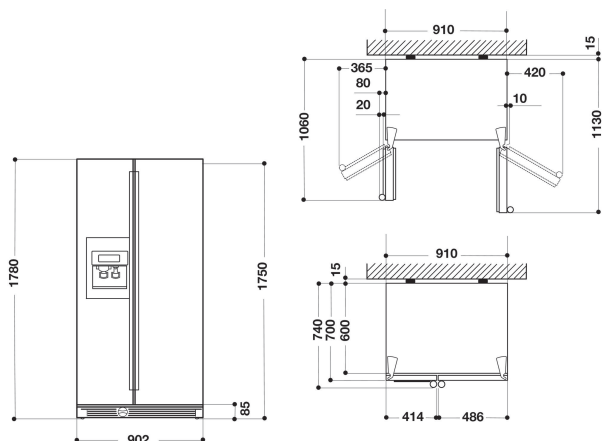
WSF5552 A+NX

12NC: 858664011010

EAN code: 8003437038419



SENSING THE DIFFERENCE



MAIN FEATURES

Product group	Side-by-Side
Construction type	Desinestator
Installation type	Desinestator
Type of control	Electronic
Main colour of product	Techno steel
Connection rating (W)	0
Current (A)	1
Voltage (V)	220-240
Frequency (Hz)	50
Number of compressors	1
Length of Electrical Supply Cord (cm)	245
Plug type	Schuko
Number of compartments	2
Total unit net capacity (l)	515
Star Rating	4
Number of independent cooling systems	2
Depth with open door 90 degree (mm)	-
Height of the product	1780
Width of the product	902
Depth of the product	700
Net weight (kg)	104

TECHNICAL FEATURES

Warning signal / Malfunction	-
Defrost process fridge section	Frost-free
Defrost process freezer section	Frost-free
Fast cooling switch	Ne
Fast freezing function	Yes
Door opened indicator freezer	Yes
Temperature adjustable	-
Automatic motor-driven ice-maker	Yes
Shelves for Bottles	-
Number of shelves in fridge compartment	4
Material of the shelves	Glass
Thermometer freezer section	-
Number of temperature zones	2
Humidifying equipment	-

ENERGY LABEL

Energy efficiency class - NEW (2010/30/EC)	A+
Energy consumption annual (kWh/annum) - NEW (2010/30/EC)	457
Refrigerator Net capacity (l) - NEW (2010/30/EC)	335
Freezer Net capacity (l) - NEW (2010/30/EC)	180
Freezing capacity (kg/24h) - NEW (2010/30/EC)	12
Climate class	T
Noise level (dB(A) re 1 pW)	45
Frost free system	Full