

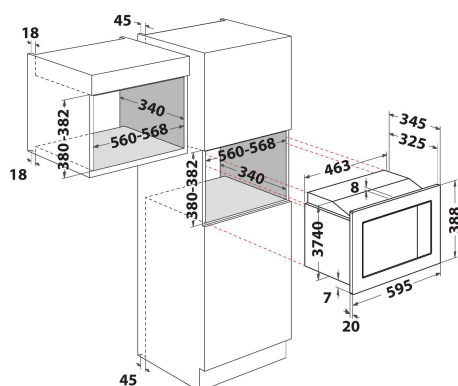
AMW 1401 IX

12NC: 858714001760

GTIN (EAN) code: 8003437213977

Whirlpool

SENSING THE DIFFERENCE



MAIN FEATURES

Product group	Mikrovalna pećnica
Commercial code	AMW 1401 IX
Main colour of product	Inox
Type of micro-wave oven	MW+Grill function
Construction type	Ugradbeni
Type of control	Electronic
Type of control settings	LED
Additional cooking method Grill	Yes
Funkcija Crisp	Ne
Steam	Ne
Additional cooking method Fan cooking	Ne
Clock	Yes
Automatic programmes	Yes
Height of the product	388
Width of the product	595
Depth of the product	343
Minimum niche height	0
Minimum niche width	0
Niche depth	0
Net weight (kg)	15.4
Ljubičasta sa bisernim odsjajem	20
Turntable	Yes
Turntable diameter (mm)	245
Integrated Cleaning system	Ne

TECHNICAL FEATURES

Current (A)	10
Voltage (V)	230
Frequency (Hz)	50
Length of Electrical Supply Cord (cm)	110
Plug type	Schuko
Timer	Yes
Grill power (W)	1000
Type of grill	Heating element
Funkcija Crisp	Stainless steel
Interior light	-
Additional cooking method Grill	Yes
Position of interior lights of the cavity	Right side

ENERGY LABEL

6th Sense / Dynamic Intelligence	Ne
Number of power levels	5
Maximum micro-wave power (W)	800
Funkcija Bread defrost	Ne
Funkcija Jet defrost	Yes
Funkcija Jet Start	Yes