

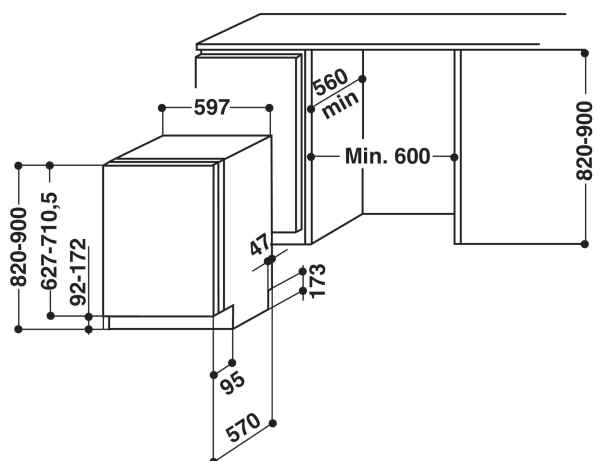
# ADG 7653 A+ PC TR FD

12NC: 854299501950

EAN code: 8003437240461



SENSING THE DIFFERENCE



## MAIN FEATURES

Construction type	Built-in
Installation type	Potpuno integriran
Type of control	Mechanical and electronic
Type of control setting and signalling devices	7 segments
Removable work top	Ne
Door decor panel	N/A
Main colour of product	Silver
Connection rating (W)	2200
Current (A)	10
Voltage (V)	220-230
Frequency (Hz)	50
Length of Electrical Supply Cord (cm)	150
Plug type	Schuko
Length inlet hose (cm)	150
Length outlet hose (cm)	200
Adjustable plinth	Ne
Height of removable worktop (mm)	0
-	Yes - all
Height of the product	820
Width of the product	597
Depth of the product	555
Depth with open door 90 degree (mm)	1150
Minimum niche height	820
Maximum niche height	900
Minimum niche width	600
Maximum niche width	600
Niche depth	570
Net weight (kg)	41
Gross weight (kg)	42.2

## TECHNICAL FEATURES

Automatic programmes	Yes
Maximum temperature for water intake (°C)	60
Start delay options	Continuous
Start delay time max. (h)	24
Progress indicator	Yes
Digital countdown indicator	Yes
Salt light indicator	Yes
Rinse aid light indicator	Yes
Safety device	Yes
Adjustable upper basket	Yes
Largest loadable dish upper basket (cm)	0
Largest loadable dish lower basket (cm)	0

## ENERGY LABEL

Energy efficiency class - NEW (2010/30/EC)	A+
Energy consumption annual (kWh/annum) - NEW (2010/30/EC)	295
Duration of the left-on mode - NEW (2010/30/EC)	3
Power consumption in left-on mode - NEW (2010/30/EC)	1.27
Power consumption in off-mode - NEW (2010/30/EC)	0.4
Water consumption annual (l/annum) - NEW (2010/30/EC)	3220
Noise level (dB(A) re 1 pW)	46